



RADIO

Service



GUIDE

1946 • 1956

SCHEMATICS • PART LISTS

Progress Is Our Most Important Product

GENERAL  ELECTRIC

FOREWORD

This guide has been compiled and prepared to provide the Radio Service Technician with a single source of reference for all G-E radio receiver schematics and parts lists for the period from 1946 to 1956.

Each electrical item (condensers, transformers, etc.) on the schematic is marked with a symbol number which can readily be identified on the parts list for value and catalog number, thereby assuring correct replacement of all parts.

RADIO RECEIVER DEPARTMENT
TECHNICAL PUBLICATIONS
PRODUCT SERVICE
UTICA, NEW YORK

CONT'D.

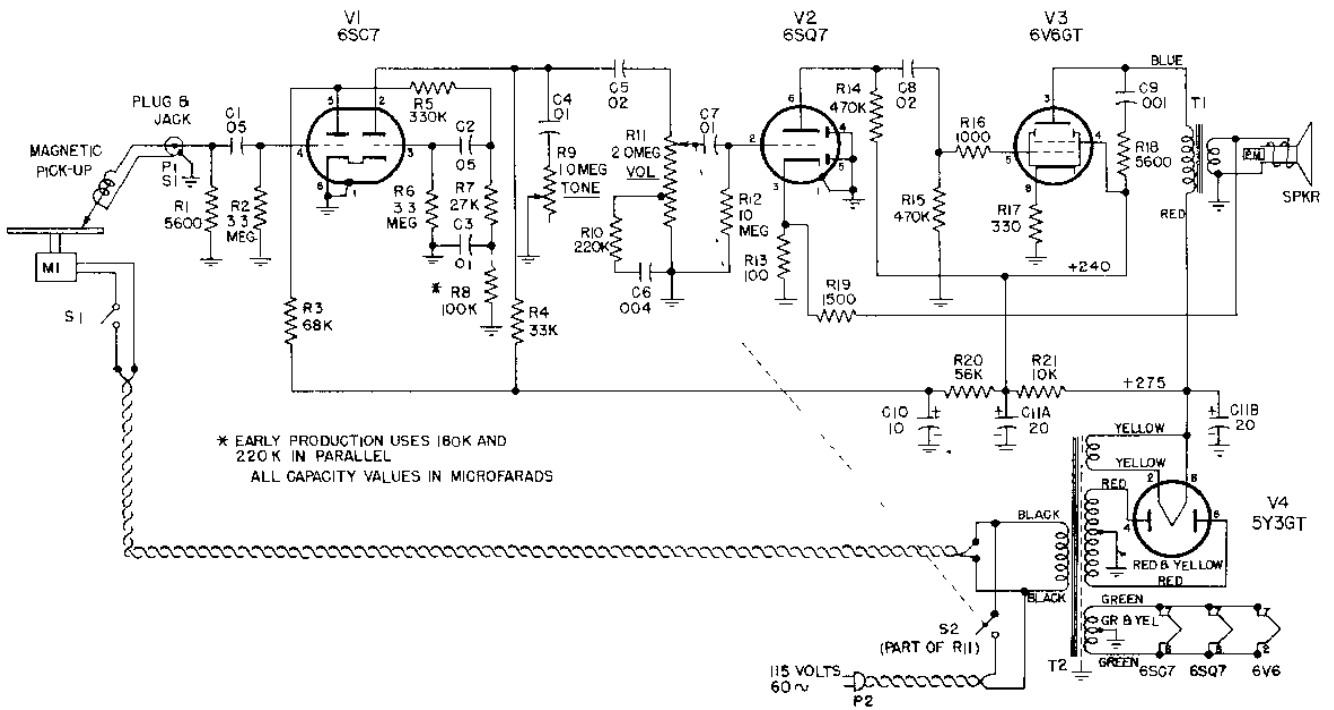
TABLE OF CONTENTS

PAGE			PAGE		
MODEL	SCHEMATIC	PARTS	MODEL	SCHEMATIC	PARTS
500,501.....	153.....	154	645,646,647..	217.....	218
502.....	155.....	156	648.....	217.....	218
505,506,507..	157.....	158	650.....	219.....	220
508.....	157.....	158	660,661.....	221.....	222
509.....	159.....	160	665,666,667..	223.....	224
510.....	161.....	162	670,671.....	225.....	226
510F,511F...	163.....	164	672,673.....	225.....	226
511.....	161.....	162	675,676.....	227.....	228
512F,513F...	163.....	164	677,678.....	227.....	228
514.....	165.....	166	680,681,682..	229.....	230
515.....	167.....	168	740.....	231.....	232
515F.....	163.....	164	741.....	233.....	234
516.....	167.....	168	752,753.....	235.....	236
516F.....	163.....	164	754.....	237.....	238
517.....	167.....	168	755.....	239.....	240
517F.....	163.....	164	756.....	237.....	238
518.....	167.....	168	757.....	241.....	242
518F.....	163.....	164	850.....	243.....	244
521.....	169.....	170	860,861,862..	245.....	246
521F.....	163.....	164	870,871.....	247.....	248
522.....	169.....	170	875,876,877..	249.....	250
522F.....	163.....	164	895.....	251.....	252
530.....	159.....	160	900.....	253.....	254
535.....	171.....	172	900D.....	255.....	256
542,543.....	165.....	166	902.....	253.....	254
546,547,548..	173.....	174	902D.....	255.....	256
549.....	173.....	174	903.....	253.....	254
551,552.....	175.....	176	903D.....	255.....	256
555,556.....	177.....	178	905,906,907..	257.....	258
557,558,559..	179.....	180	911.....	259.....	260
560,561.....	181.....	182	911D.....	261.....	262
564,565,566..	183.....	184	912.....	259.....	260
572,573,574..	185.....	186	912D.....	261.....	262
575.....	185.....	186	913.....	259.....	260
577,578.....	187.....	188	913D.....	261.....	262
580,581,582..	189.....	190	914D.....	261.....	262
590.....	191.....	192	915,916.....	257.....	258
600.....	193.....	194	920,921.....	263.....	264
601,603,604..	195.....	196	930.....	265.....	266
605,606.....	197.....	198	935,936.....	267.....	268
607,608.....	199.....	200	940,941,942..	269.....	270
610,611.....	201.....	202	P715,P716....	271.....	272
612,613.....	203.....	204	P720,P721....	273.....	274
614,615.....	205.....	206	YRB67-1.....	275.....	276
620,621,622..	207.....	208	YRB67-2.....	275.....	276
625,626.....	209.....	210	YRB82-1.....	275.....	276
630,631,632..	211.....	212	These pages were torn from the manual.		
635,636,637..	213.....	214			
640,641.....	215.....	216			

TABLE OF CONTENTS

PAGE			PAGE		
MODEL	SCHEMATIC	PARTS	MODEL	SCHEMATIC	PARTS
12.....	1.....	2	324.....	85.....	86
14.....	3.....	4	326,327.....	87.....	88
15.....	5.....	6	328.....	85.....	86
41,42,43.....	7.....	8	329,330.....	89.....	90
44,45.....	7.....	8	354,355.....	91.....	92
41(Power Unit)277.....	7.....	8	356,357,358..	93.....	94
50.....	9.....	10	376,377,378..	95.....	96
60,62.....	11.....	12	400,401.....	97.....	98
64,65.....	13.....	14	402.....	99.....	100
66,67.....	15.....	16	404,405.....	101.....	102
100,101.....	17.....	18	408.....	103.....	104
102,102W.....	19.....	20	409.....	105.....	106
103,105.....	17.....	18	410.....	101.....	102
106.....	21.....	22	411.....	97.....	98
107,107W.....	19.....	20	412.....	107.....	108
110,111.....	23.....	24	412F.....	109.....	110
112.....	25.....	26	414.....	111.....	112
113.....	27.....	28	414F.....	109.....	110
114,114W.....	19.....	20	415.....	111.....	112
115,115W.....	19.....	20	415F,416F....	109.....	110
118,119M,119W	29.....	30	416.....	111.....	112
123,124,125..	31.....	32	417,417A.....	113.....	114
129,131.....	33.....	34	419.....	115.....	116
135,136.....	35.....	36	422,423.....	117.....	118
140.....	37.....	38	424,425.....	119.....	120
141.....	39.....	40	427,428,429..	121.....	122
143.....	41.....	42	430.....	111.....	112
145.....	43.....	44	431,431A.....	123.....	124
150.....	45.....	46	431B,431C....	125.....	126
160.....	47.....	48	432,432A.....	123.....	124
165.....	49.....	50	432B,433B,432C	125.....	126
180.....	51.....	52	433C.....	125.....	126
200,201,202..	53.....	54	436.....	127.....	128
203,205.....	53.....	54	440.....	129.....	130
210,211,212..	55.....	56	442,443,444..	131.....	132
218.....	57.....	58	446,447,448..	133.....	134
218H.....	59.....	60	450,451,452..	135.....	136
219,220,221..	61.....	62	453.....	137.....	138
226.....	63.....	64	455,455A.....	139.....	140
230.....	65.....	66	455S.....	141.....	142
231.....	67.....	68	456.....	139.....	140
233.....	69.....	70	456S.....	141.....	142
250.....	71.....	72	457.....	139.....	140
254.....	73.....	74	457S.....	141.....	142
260.....	75.....	76	465,466,467..	143.....	144
280.....	77.....	78	470,471,472..	145.....	146
303.....	79.....	80	475,476,477..	147.....	148
304.....	81.....	82	480.....	149.....	150
321.....	83.....	84	495.....	151.....	152

Model 12

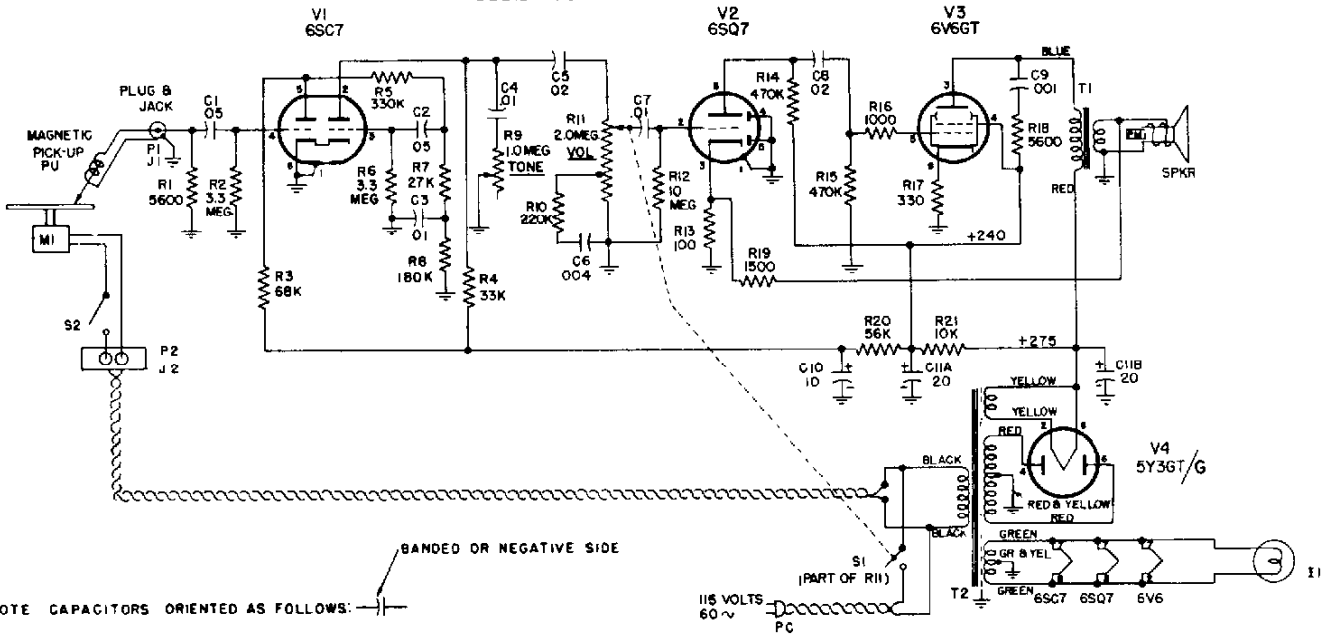


REPLACEMENT PARTS LIST

Model 12

PART NO	SYMBOL	DESCRIPTION	PART NO	SYMBOL	DESCRIPTION
UNIVERSAL REPLACEMENT PARTS			SPECIALIZED REPLACEMENT PARTS (Cont'd)		
UOP-800		SPEAKER--8-inch PM Speaker	RBH-002		ASSEMBLY--Phono motor, drive wheel and mounting plate assembly
UOX-004		ASSEMBLY--Voice coil and spider gasket, and dust cap assembly	RCC-047	C1, 3, 4, 7	CAPACITOR--.01 mfd, 600 v, paper
URD-025	R13	RESISTOR--100 ohms, 1/2 w, carbon	RCC-048	C5, 8	CAPACITOR--.02 mfd, 600 v, paper
URD-049	R16	RESISTOR--1000 ohms, 1/2 w, carbon	RCC-049	C2	CAPACITOR--.05 mfd, 600 v, paper
URD-053	R19	RESISTOR--1500 ohms, 1/2 w, carbon	RCC-050	C6	CAPACITOR--.004 mfd, 400 v, paper
URD-067	R1, 18	RESISTOR--5000 ohms, 1/2 w, carbon	RCC-055	C9	CAPACITOR--.001 mfd, 1600 v, paper
URD-083	R7	RESISTOR--27,000 ohms, 1/2 w, carbon	RCE-041	C11A, 11B	CAPACITOR--20 mfd, 350 v, electrolytic
URD-085	R4	RESISTOR--33,000 ohms, 1/2 w, carbon	RCE-042	C10	CAPACITOR--10 mfd, 250 v, electrolytic
URD-093	R3	RESISTOR--68,000 ohms, 1/2 w, carbon	RDK-038		KNOBS--Volume and tone control knobs
URD-097	R8	RESISTOR--100,000 ohms, 1/2 w, carbon	RJS-062		SOCKET--Octal tube socket
URD-105	R10	RESISTOR--220,000 ohms, 1/2 w, carbon	RJX-007		PLUG AND SOCKET--Phono rpmpl plug and socket
URD-109	R5	RESISTOR--330,000 ohms, 1/2 w, carbon	RMS-055		SPRING--Inside the tone arm
URD-113	R14, 15	RESISTOR--470,000 ohms, 1/2 w, carbon	RMT-006		TURNABLE--9 in. diameter turntable
URD-133	R2, 6	RESISTOR--3.3 meg., 1/2 w, carbon	RMX-059		ASSEMBLY--Tone arm pivot assembly
URD-145	R12	RESISTOR--10 meg., 1/2 w, carbon	RPA-001		ARM--Tone arm assembly
URE-037	R17	RESISTOR--330 ohms, 1 w, carbon	RPN-010		PICK UP--Magnetic pick-up cartridge
URE-073	R21	RESISTOR--10,000 ohms, 1 w, carbon	RRC-038	R11	VOLUME CONTROL--2 meg potentiometer
URE-091	R20	RESISTOR--58,000 ohms, 1 w, carbon	RRC-039	R9	TONER CONTROL--1 meg potentiometer
SPECIALIZED REPLACEMENT PARTS			RSX-001		ASSEMBLY--Phono motor switch assembly
RAI-003		ARM--Support arm attached to cover	RSX-002		ASSEMBLY--Switch arm assembly
RAV-032		CABINET--Model 12 cabinet and cover	RTO-004	T1	TRANSFORMER--Output transformer
			RTP-029	T2	TRANSFORMER--Power transformer
			RWL-004	P2	CORD--Power cord and plug

MODEL 14



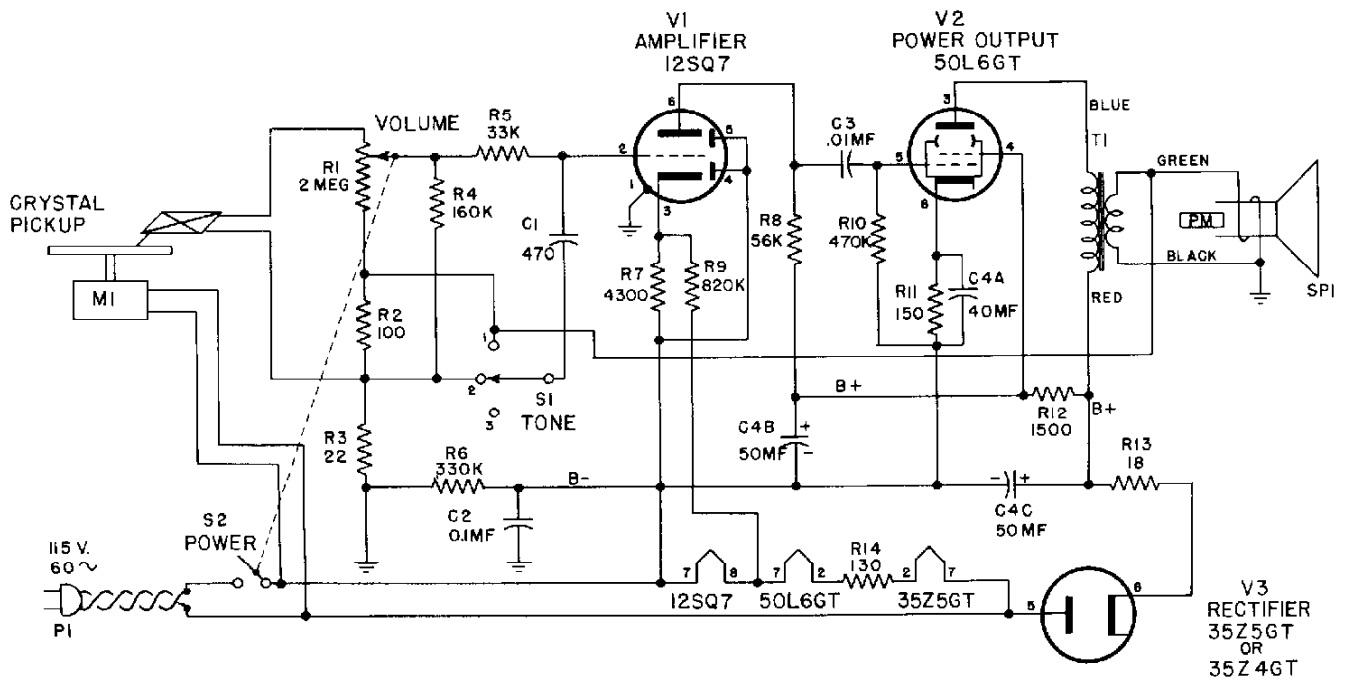
REPLACEMENT PARTS LIST

Model T4

CAT. NO.	SYMBOL	DESCRIPTION	CAT. NO.	SYMBOL	DESCRIPTION
UNIVERSAL REPLACEMENT PARTS					
UCC-040	C3, 4, 7	CAPACITOR—.01 mf., 600 v., paper	RCE-041	C11A, B	CAPACITOR 20 mf., 350 v., 20 mf., 350 v.; elec- trolytic
UCC-041	C5, 8	CAPACITOR—.02 mf., 600 v., paper	RCE-042	C10	CAPACITOR 10 mf., 250 v., electrolytic
UCC-045	C1, 2	CAPACITOR—.05 mf., 600 v., paper	RDK-038		KNOB—Volume and tone control
UDL-008		PILOT LAMP—Mazda #47	RHM-035		CLIP—Spring clip in tone arm nearest pivot
UOP-800		SPEAKER—8-inch speaker	RHM-036		CLIP—Spring clip in tone arm nearest pick-up cartridge
UOX-004		SPEAKER CONE ASSEMBLY—Voice coil and spider, and dust cap assembly	RHN-005		NUT—Flex nut for pivot bushing
URD-025	R13	RESISTOR 100 ohms, 1/2 w., carbon	RHS-011		SCREW—Special #6 used with clamp for pivot arm assembly
URD-049	R16	RESISTOR 1000 ohms, 1/2 w., carbon	RHS-012		SCREW—Phillister head #6 for switch arm assembly
URD-053	R19	RESISTOR 15,000 ohms, 1/2 w., carbon	RHW-002		LOCKWASHER—For pivot bushing
URD-067	R1, 20	RESISTOR 5600 ohms, 1/2 w., carbon	RJP-004		PLUG—Phono plug on pick-up lead
URD-081	R7	RESISTOR 27,000 ohms, 1/2 w., carbon	RJP-010		JACK—Phono input
URD-085	R4	RESISTOR 32,000 ohms, 1/2 w., carbon	RIS-032		SOCKET—Tube socket (6SQ7, 6V6, 3Y3)
URD-093	R3	RESISTOR 33,000 ohms, 1/2 w., carbon	RIS-055		SOCKET—Tube socket (6SC7)
URD-103	R8	RESISTOR 68,000 ohms, 1/2 w., carbon	RJS-094		SOCKET—Photo lamp socket
URD-105	R10	RESISTOR 180,000 ohms, 1/2 w., carbon	RMB-010		PIVOT BUSHING—For tone arm shaft pivot
URD-109	R5	RESISTOR 220,000 ohms, 1/2 w., carbon	RMC 019		CLAMP—Holds pivot arm assembly to tone arm shaft and bracket
URD-113	R14, 15	RESISTOR 330,000 ohms, 1/2 w., carbon	RMM 047		SPACER—For pivot bushing
URD-133	R2, 6	RESISTOR 470,000 ohms, 1/2 w., carbon	RMS-055		SPRING—Coil spring in tone arm assembly
URD-145	R12	RESISTOR 3.3 meg., 1/2 w., carbon	RMT-001		TURNTABLE—Turntable for RBX-014 motor*
URE-039	R17	RESISTOR 10 meg., 1/2 w., carbon	RMT-006		TURNTABLE—Turntable for RBH-002 motor*
URE-073	R21	RESISTOR 330 ohms, 1 w., carbon	RMX-050		PIVOT ARM ASSEMBLY—Bracket and cushion for tone arm vertical pivot
URE-091	R18	RESISTOR 10,000 ohms, 1 w., carbon	RPA-001		TOPE ARM—Tone arm less pickup
SPECIALIZED REPLACEMENT PARTS					
RAL-002		BEZEL—Pilot lamp bezel	RRC-038	E11, S1	VOLUME CONTROL—20 meg volume control in- cludes power switch
RAY-032		CABINET—Replacement cabinet	RRC-039	R9	TOPE CONTROL—1.0 megohm potentiometer
RAX-018		BRACKET AND SHAFT ASSEMBLY—For tone arm	RSS-001		SWITCH—Tone arm switch
RBH-002*	M1	MOTOR ASSEMBLY—Phono motor, drive wheel and mounting plate assembly (60 cycles)	RSX-001		SWITCH ASSEMBLY—For phono motor (bracket and switch)
RBX-014**	M1	MOTOR ASSEMBLY—Phono motor, drive wheel and mounting plate assembly (50 cycles)	RSX-002		SWITCH ARM ASSEMBLY—Operates phono motor switch assembly
RCC-038	C6	CAPACITOR—.004 mf., 600 v., paper	RTO-004	T1	TRANSFORMER—Output transformer
RCC-079	C9	CAPACITOR—.001 mf., 1000 v., paper	RTP-020	T2	TRANSFORMER—Power transformer
			RWL-004		CORD—Power cord and plug
			RWX-000		MOTOR CABLE ASSEMBLY—With female plug
			RWX-010		MOTOR CABLE ASSEMBLY—With male plug

- * RBH-002 motor has triangular shaped mounting plate
 ** RBX-014 motor has rectangular shaped mounting plate

MODEL 15



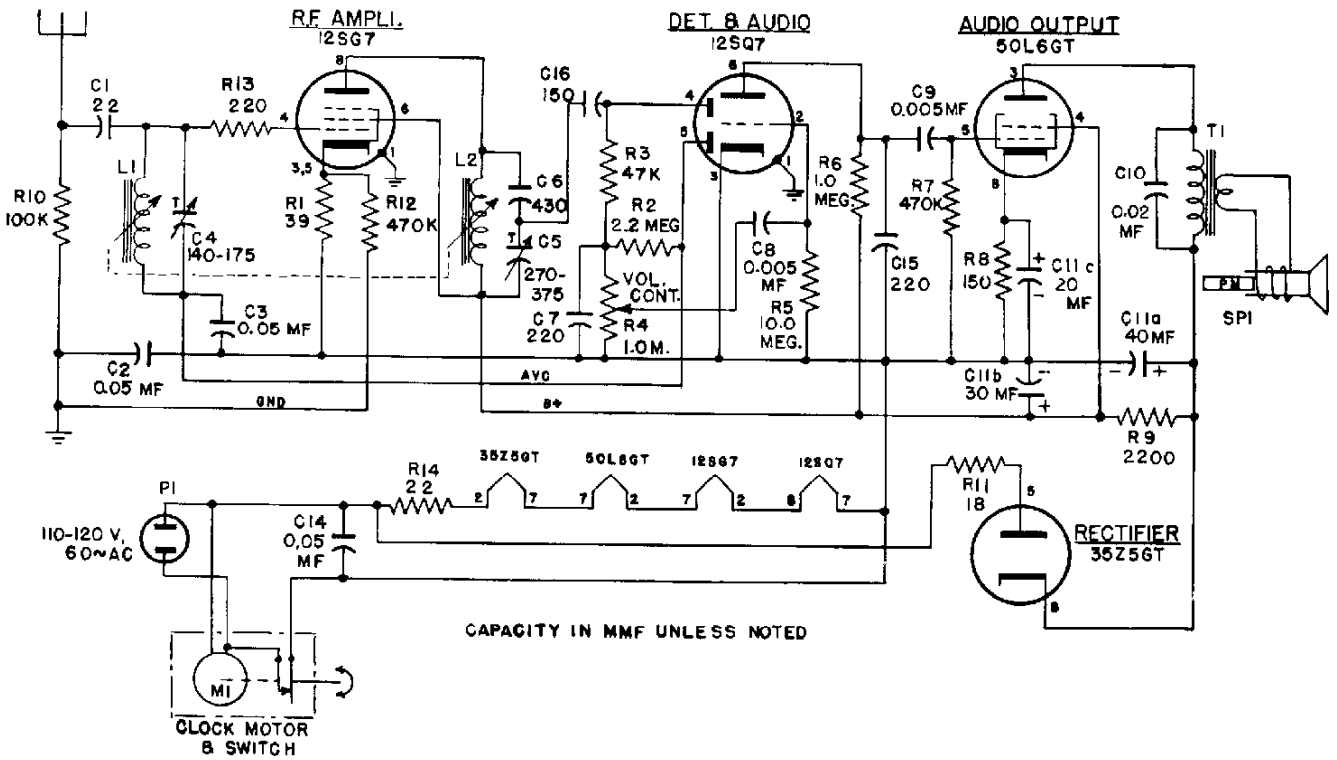
REPLACEMENT PARTS LIST MODEL 15

PART NO	SYMBOL	DESCRIPTION	PART NO	SYMBOL	DESCRIPTION
UNIVERSAL REPLACEMENT PARTS					
UCC-040	C2	CAPACITOR .01 mfd, 600 v, paper	RBH-006	M1	MOTOR -Phono motor (Type G 60 cycles only)
UCC-044	C1	CAPACITOR 470 mmf, 600 v, mica	RCE-027	C4 A H C	CAPACITOR 60 mfd 50 mfd, 50 mfd, 150 v, dry electrolytic
UCC-048	C3	CAPACITOR 10 mfd, 600 v, paper	RDX-076		KNOB -Control knob
UOP-550	SPKR	SPEAKER 6 1/2 inch	RJC-001		PIN -Speaker contact pin
UOX-011		VOICE COIL SPIDER, CONE GASKET AND DUST CAP ASSEMBLY	RJS-004		PLATE -Electrolytic mounting plate
URD-009	R3	RESISTOR 22 ohms, 1/2 w, carbon	RJS-025		SOCKET -Octal base tube socket
URD-025	R2	RESISTOR 100 ohms, 1/2 w, carbon	RMS-006		SPRING -Idler wheel spring (Type A motor)
URD-029	R11	RESISTOR 150 ohms, 1/2 w, carbon	RMS-079		SPRING -Idler wheel spring (Type G motor)
URD-053	R12	RESISTOR 1500 ohms, 1/2 w, carbon	RMS-081		SPRING -Idler wheel spring (Type R motor)
URD-065	R6	RESISTOR 32,000 ohms, 1/2 w, carbon	RMS-082		SPRING 80 cycle adapter spring (use with Type A motor only)
URD-091	R8	RESISTOR 350,000 ohms, 1/2 w, carbon	RMT-001		TURNTABLE -Phono turntable (Type A motor)
URD-109	R4	RESISTOR 470,000 ohms, 1/2 w, carbon	RMT-005		TURNTABLE -Phono turntable (Type R motor)
URD-113	R10	RESISTOR 520,000 ohms, 1/2 w, carbon	RMT-010		TURNTABLE -Phono turntable (Type G motor)
URD-114	R5	RESISTOR 680,000 ohms, 1/2 w, carbon	RMW-003		WHEEL -Idler wheel (Type A motor)
URD-1064	R7	RESISTOR 4500 ohms, 1/2 w, carbon	RMW-028		WHEEL -Idler wheel (Type G motor)
URD-1162	R4	RESISTOR 150,000 ohms, 1/2 w, carbon	RMW-029		WHEEL -Idler wheel (Type R motor)
SPECIALIZED REPLACEMENT PARTS					
RAT-001		CABINET -Black	RPC-016		PCCK-UP -Crystal pick-up
RAT-007		CABINET -Blue	RRC-036	R1, 52	VOLUME CONTROL -2 megohm potentiometer (includes power switch)
RAT-003		CABINET -Brown	RRW-008	R19	RESISTOR -18 ohms, 1 w,
RBH-001	M1	MOTOR -Phono motor (Type A), 50 or 60 cycles (use spring RMS-082 for 50 cycles)	RRW-014	R14	RESISTOR -130 ohms, 3 w, w w
RBH-000	M1	MOTOR -Phono motor (Type R 60 cycles only)	RSW-037	S1	SWITCH -Tone control switch
			RTO-031	T1	TRANSFORMER -Speaker output transformer
			RWL-003		CORD -Power cord

**REPLACEMENT PARTS LIST
MODELS 41, 42, 43, 44, AND 45**

Part No.	Symbol	Description	Part No.	Symbol	Description
UNIVERSAL REPLACEMENT PARTS			SPECIALIZED REPLACEMENT PARTS		
RJP-004	P1	PLUG—Male phono input, from preamplifier	RAB-028	L1	LOOP AND BACK ASSEMBLY—Model 41, Walnut
RJP-006		SHELL—For loop plug	RAB-029	L1	LOOP AND BACK ASSEMBLY—Model 41, Mahogany
RJP-007	J1	RECEPTACLE—117 v. a-c output to SPU chassis	RAB-030	L1	LOOP AND BACK ASSEMBLY—Model 41, Blonde Mahogany
RJP-008		PLUG—On power cable	RAB-031	L1	LOOP AND BACK ASSEMBLY—Model 42, Mahogany
RJP-009	J201	RECEPTACLE—Special power unit a-c cable plug	RAB-032	L1	LOOP AND BACK ASSEMBLY—Model 43, Knotty Pine
RJP-015	J202	RECEPTACLE—For pilot light and speaker	RAB-033	L1	LOOP AND BACK ASSEMBLY—Model 44, Walnut
RJS-012		MOUNTING PLATE—For mounting electrolytic on SPU chassis	RAB-034	L1	LOOP AND BACK ASSEMBLY—Model 44, Mahogany
RJS-017	J203	TUBE SOCKET—Octal base socket on SPU chassis	RAB-035	L1	LOOP AND BACK ASSEMBLY—Model 44, Champagne Finish Mahogany
RJS-030		SOCKET—For tubes V4, V5, V6, and V7	RAB-042	L1	LOOP AND BACK ASSEMBLY—Model 42, Mahogany, 50 cycles
RJS-044		TUBE SOCKET—Tube socket for V1, V2, and V3	RAB-044	L1	BACK AND LOOP ASSEMBLY—Model 45
RJS-052		SOCKET—Tube socket for V9, V201, V202, V203, V204, V205, and V206	RAD-018		BRACKET—Band switch (front)
RJS-065		SOCKET—Pilot light socket and leads	RAD-019		BRACKET—Band switch (rear)
RJS-066		MOUNTING PLATE—Electrolytic mounting plate, on SPU chassis	RAD-020		BRACKET—For coil on rear bracket of band switch
RJS-073		SOCKET—Phono-lite socket	RAD-023		MOUNTING BRACKET—Dial scale
RJS-085		SOCKET—Tube socket for V8	RAL-001		BEZEL—Dark
RJX-003	J3	RECEPTACLE—Phono input	RAL-002		BEZEL—Light
RJX-005	P202	PLUG—4-pin, amphenol for pilot light and speaker cable	RAX-014		BRACKET AND ROLLER FORK ASSEMBLY—For tuning hoist
RJX-006		OCTAL PLUG RECEPTACLE AND LOCK RING—For power receptacle on main chassis	RCC-038	C86, 89	CAPACITOR—004 mfd., 600 v., paper
RLA-006	T1	B.C.P.B. ANTENNA TRANSFORMER	RCE-019	C201A, B, C, D	CAPACITOR—30 mfd., 15 mfd., 30 mfd., 30 mfd., electrolytic
RLA-009	T2	COIL—Broadcast band antenna coil	RCE-032	C100A, C100B, C127, C128, C29, C73, 114, C11, 16, 41, 113, 129, 132	CAPACITOR—30 mfd., 400 v., electrolytic
RLA-012	L4, 13, 28	COIL—FM antenna choke, FM1 oscillator cathode choke, oscillator cathode choke	RCM-001		CAPACITOR—30 mfd., 350 v., electrolytic
RLB-006	T3	COIL—Broadcast band RF coil	RCM-002		CAPACITOR—.01 mfd., metal cased
RLB-008	L6	COIL—SW band RF plate choke coil	RCW-024		CAPACITOR—.01 mfd., metal cased
RLB-009	L3	COIL—Broadcast RF primary dummy	RCW-025		CAPACITOR—44 mmf., ceramic
RLC-015	L10	COIL—SW oscillator loading coil	RCW-1028		CAPACITOR—4.7 mmf., ceramic
RLC-016	L16	COIL—Broadcast band oscillator shunt coil			
RLC-017	L8	COIL—SW band RF loading coil			
RLF-003	L24	CHOKE—IF filament choke			
RLF-010	L201	CHOKE—Filter for power supply			
RLI-005	L23	CHOKE—FM power line choke	RCX-017	C2, 3, 4, 5, 6	TRIMMER STRIP—Push button
RLI-002	L12	CHOKE—FM oscillator cathode choke	RCX-024	C12, 13	TRIMMER STRIP—3.30 mmf., 80-130 mmf., trimmer capacitor
RLI-018	L25	CHOKE—SW2 loop shunt coil	RCX-025	C23, 31, 33, 34	TRIMMER STRIP—185-245 mmf., 20-55 mmf., 320-400 mmf., 165-225 mmf., trimmer capacitor
RLP-005	L14, 15	CHOKE—IF plate choke	RCX-026	C17, 39, 40	TRIMMER STRIP—20.55 mmf., 475-575 mmf., 320-400 mmf., trimmer capacitor
RLP-008	L5, 16	COIL—FM choke; RF plate and IF wavetrap	RCX-027	C27, 37, 38	TRIMMER STRIP—2.20 mmf., 185-245 mmf., 34-70 mmf., trimmer capacitor
RLP-018	L5	COIL—FM RF plate choke	RCX-028	C10, 14, 15	TRIMMER STRIP—34-70 mmf., 40-80 mmf., 5-45 mmf., trimmer capacitor
RLX-002		COIL AND MOUNTING BRACKET ASSEMBLY—For push buttons	RCY-011	C9	CAPACITOR—2.20 mmf., trimmer
		TRIMMER STRIP BRACKET AND COIL ASSEMBLY—For push buttons	RCY-017	C28, 32	TRIMMER STRIP—3.30 mmf., 3-30 mmf., trimmer capacitor
RMC-012		CLAMP—For holding cover on RF unit	RDB-006		KEY—Push-button key (brown)
RMC-013		CLIP—Support for clamp, holding cover on RF unit	RDB-007		KEY—Push-button key (tan)
RMF-003		CLIP—For tube shield on 6AQ7GT	RDC-019		CORD—Hoist cord, 6 1/2 inches long
RMM-009		SPACER—Metal sleeve on hoist pulley shaft	RDC-025		DRIVE CORD ASSEMBLY
RMM-010		VANE—Tuner vane for FM coils L2 and L7	RDF-003		FELT WASHER—(Dark), for control knobs
RMM-011		VANE—Tuner vane for FM oscillator coil L9	RDF-006		FELT WASHER—(Light), for control knobs
RMM-034		SHIELD—Lite shield for bezel	RDF-008		FELT STRIP—Dial scale
RMM-035		SHIELD—Tube shield for 6AQ7GT	RDK-042		KNOB—(Plain) Pine, Blonde Mahogany, and Champagne
RMM-036		SUPPORT—Fibre support for push-button coils	RDK-043		KNOB—(Plain) Mahogany
RMM-037		DRAWER SLIDES—Cabinet drawer slides	RDK-044		KNOB—(Plain) Walnut
RMR-002		ROLLER—Presses against hoist shaft	RDK-045		KNOB—(Arrow) Pine, Blonde Mahogany, and Champagne
RMS-039		WASHER—"C" washer for idler pulley shaft	RDK-046		KNOB—(Arrow) Mahogany
RMS-040		SPRING—Flat spring against hoist pulley shaft	RDK-047		KNOB—(Arrow) Walnut
RMS-041		SPRING—Wire spring against hoist pulley shaft	RDK-092		KNOB—(Plain) for Model 45 only
RMS-042		SPRING—Hoist cord tension spring	RDK-080		KNOB—(Arrow) for Model 45 only
RMS-043		SPRING—Iron core adjusting screw	RDP-026		POINTNER ASSEMBLY—Model 43 only
RMS-044		SPRING—Guide wire connecting tuning vanes to adjustment screws	RDS-023		POINTNER ASSEMBLY—Models 41, 42, 44, 45
RMS-076		SCREW—For tuning vane adjustment	RDS-045		DIAL SCALE ASSEMBLY
RMS-078		SPRING—Type 2 dial cord spring (late production)	RDX-020	S6, L17, 18, L19, 20, 21, L22	SCALE—Dial scale
RMU-030		SHAFT—For mounting push-button keys	REI-006		PUSH-BUTTON SWITCH ASSEMBLY
RMU-031		SHAFT—Tuning shaft	RHE-001		IRON CORE—AM tuning
RMW-013		FLYWHEEL—Less setacrew	RHG-007		EYELET—For connecting FM coil links
RMW-016		PULLEY—Main tuning drum	RHG-008		GROMMET—Rubber grommet for tuning eye cable
RMW-018		PULLEY—Hoist	RHG-009		GROMMET—Rubber grommet for tuner plate near tuning shaft
RMW-032		PULLEY—Idler pulley for dial cord	RHG-010		GROMMET—Rubber grommet for tuner plate
RMX-006		CABLE ASSEMBLY—For tuning eye	RHM-012		GROMMET—For 6SC7 tube socket
RMX-018		FLYWHEEL—With setacrew	RHM-024		CUSHION—Dial scale
RMX-019		PULLEY—Hoist pulley and shaft	RHM-025		LINK—Hoist link, holding end of hoist cord
RMX-021		TUNER TOP PLATE AND SHAFT ASSEMBLY	RHN-004		RING—Retaining ring for shaft, mounting push-button keys
RMX-094		BRACKET AND SPRING ASSEMBLY—For push buttons	RJJ-001		NUT—Hex nut for tuning vane adjustment
RRC-026		TOPE CONTROL ASSEMBLY—Base	RJJ-002	J3	CONTACT PIN—For speaker connection
RRC-027		TOPE CONTROL ASSEMBLY—Trebble	RJJ-003		RECEPTACLE—Receptacle for octal plug on receiver chassis
RRC-050	R45A, B	RESISTOR—2 meg., dual potentiometer	RJM-001		RECEPTACLE—For loop
RRT-001	R202A, B	RESISTOR—900 ohms, 6 w., 150 ohms, 6 w., wirewound	RJM-002		RECEPTACLE—6AL7 tuning eye socket
RRW-016	R201	RESISTOR—100 ohms, 2 w., variable resistor	RJM-003		
RSP-004		SWITCH—Push-button switch	RJM-004	P201	CORD—Cord and plug for 117 v. a-c to special power unit, Model 44
RSP-006		PLUG—Loop plug	RJM-005	P201	CORD—Cord and plug for 117 v. a-c to special power unit, Model 45
RSS-003	S7	SWITCH—Squelch switch	RYC-006		TAB—Push-button key tab (phono)
RSW-019	S1	SWITCH—Band change switch	RYC-007		STATION CALL LETTERS—For push-button key
RSX-010	T7	SWITCH ASSEMBLY—Phono-lite	RYC-008		TAB—Push-button key tab (OFF)
RTD-001	T4	FM DISCRIMINATOR TRANSFORMER	RSW-016		Treble Switch
RTL-017	T5	BC 1st IF TRANSFORMER	RSW-017		Bias Switch
RTL-022	T5	BC 2nd IF TRANSFORMER			
RTL-043	T6	BROADCAST 3rd IF TRANSFORMER			
RTO-026	T202	TRANSFORMER—Audio output to speakers			
RTP-035	T201	TRANSFORMER—Power transformer, 60 cycles			
RTP-036	T201	TRANSFORMER—Power transformer, 50 cycles			
RWL-004		CORD AND PLUG—For 117 v. a-c to main chassis			
RWM-001	P201	CORD—Cord and plug for 117 v. a-c to special power unit, Model 41 and 42			
RWM-003	P201	CORD—Cord and plug for 117 v. a-c to special power unit, Model 43			

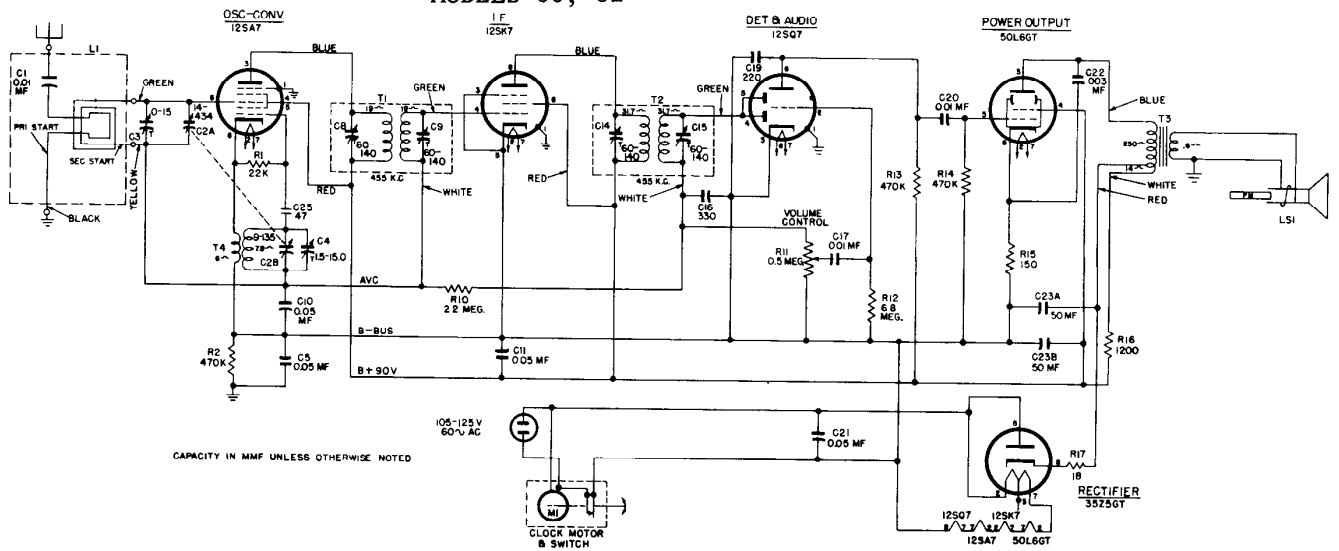
MODEL 50



RADIO REPLACEMENT PARTS LIST--MODEL 50

CAT. NO	SYMBOL	DESCRIPTION	CAT NO	SYMBOL	DESCRIPTION
UNIVERSAL G.E. RADIO REPLACEMENT PARTS			SPECIALIZED G.E. REPLACEMENT PARTS		
UCC-039	C8	CAPACITOR 0.005 mfd., 600 v., paper	RAU-000		CABINET Plastic cabinet
UCC-045	C2, 3	CAPACITOR 0.05 mfd., 600 v., paper	RCC-039	C9	CAPACITOR 0.005 mfd., 600 v., paper
UCG-543	C6	CAPACITOR 430 mmf., silver mica	RCC-041	C10	CAPACITOR 0.02 mfd., 600 v., paper
UCU-512	C1	CAPACITOR 22 mmf., mica	RCC-045	C14	CAPACITOR 0.05 mfd., 600 v., paper
UCU-532	C16	CAPACITOR 150 mmf., mica	RCE-031	C11A, B, C	CAPACITOR 40 mfd., 150 v.; 30 mfd., 150 v.; 20 mfd., 25 v., electrolytic
UCU-536	C7, 15	CAPACITOR 220 mmf., mica	RCY-007	C4	TRIMMER 140-175 mmf., antenna trimmer
UC-001		CEMENT—Speaker cement	RCY-008	C5	TRIMMER 270-375 mmf., c-f trimmer
UOP-405	SP1	LOUDSPEAKER 4-inch PM speaker	RDC-015		CORD—Tuning drive cord (bulk)
UOX-009		CONE Speaker replacement cone	RDK-028		KNOB—Volume or tuning knob
URD-015	R1	RESISTOR 39 ohms, 1/2 w., carbon	REI-004		CORE—Powdered iron tuning core
URD-020	R8	RESISTOR 150 ohms, 1/2 w., carbon	RHJ-001		ASSEMBLY—Tuning shaft assembly and spacer
URD-033	R15	RESISTOR 220 ohms, 1/2 w., carbon	RIT-005		COVER—Electrolytic cardboard cover (inner and outer)
URD-089	R3	RESISTOR 47,600 ohms, 1/2 w., carbon	RJS-003		SOCKET—Tube socket
URD-097	R10	RESISTOR 100,000 ohms, 1/2 w., carbon	RLA-005		COIL—Antenna or R-F coil
URD-113	R7, 12	RESISTOR 470,000 ohms, 1/2 w., carbon	RMB-093	LI, 2	BUSHING—Drive shaft bushing
URD-121	R6	RESISTOR 1.0 megohm, 1/2 w., carbon	RMS-034		SPRING—Drive cord tension spring
URD-129	R2	RESISTOR 2.2 megohms, 1/2 w., carbon	RMX-006		PULLEY—Drive pulley
URD-145	R5	RESISTOR 10.0 megohms, 1/2 w., carbon	RRW-003	R14	RESISTOR 22 ohms, 1 w., wirewound
URE-057	R9	RESISTOR 2,200 ohms 1 w., carbon	RRW-008	R11	RESISTOR 1A ohms, 1 w.,
			RWL-000		CORD—Power cord
			RZC-001		CLOCK—Clock assembly
			RRC 013	R4	Volume Control
RAB-016		COVER Cabinet back cover			
SPECIALIZED G.E. REPLACEMENT PARTS					

MODELS 60, 62

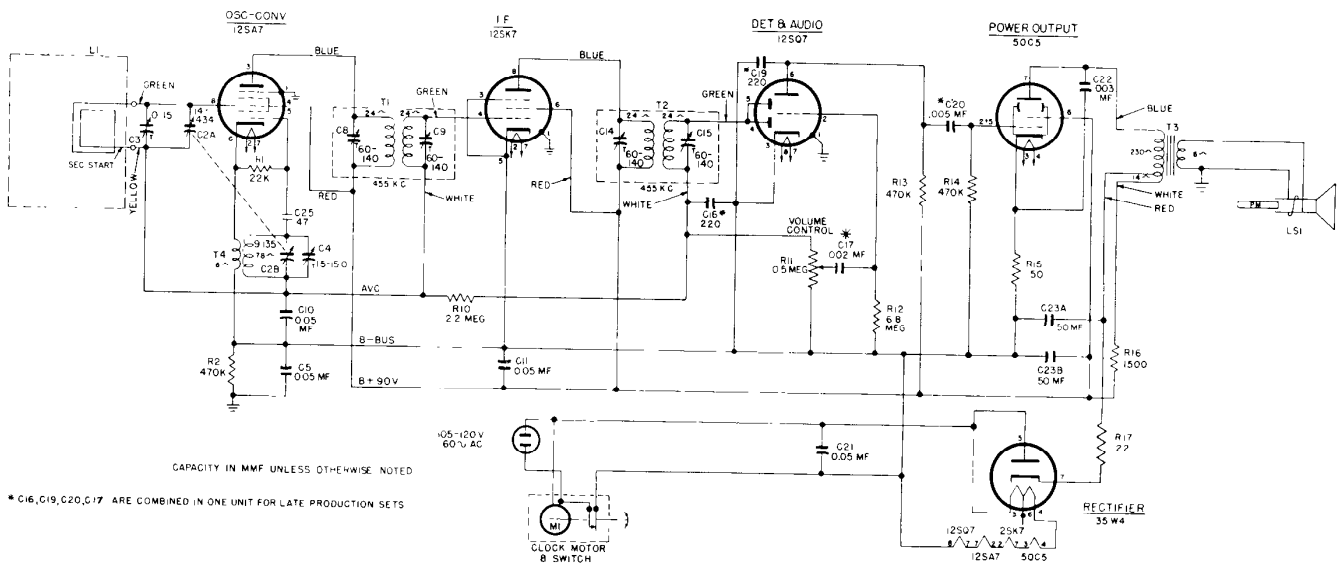


MODELS 60 AND 62

RADIO REPLACEMENT PARTS LIST

Cat. No.	Symbol	Description	Cat. No.	Symbol	Description
UNIVERSAL G-E REPLACEMENT PARTS			SPECIALIZED G-E REPLACEMENT PARTS (Cont'd)		
UCC-623	C22	CAPACITOR—003 mf., 600 v., paper	RAU-021		CABINET—Ivory plastic cabinet (Model 62)
UCC-630	C1, 17, 20	CAPACITOR—.01 mf., 600 v., paper	RCE-050	C23A, B	CAPACITOR—50 mfd., 150 v.; 50 mfd., 150 v., dry electrolytic
UCC-635	C5, 10, 11, 21	CAPACITOR—.05 mf., 600 v.	RCT-021	C2A, B	CONDENSER—Tuning condenser, oscillator, and r-f section
UCH-036	C19	CAPACITOR—220 mmf., mica	RDE-028		KNOB—Volume control knob (Models 60 or 62)
UCU-040	C16	CAPACITOR—330 mmf., mica	RDK-094		KNOB—Tuning dial wheel (Models 60 or 62)
UCW-020	C25	CAPACITOR—47 mmf., ceramic	RDS-047		SCALE—Dial scale (Model 60)
UOP-418	LS1	SPEAKER—4-inch PM speaker	RDS-050		SCALE—Dial scale (Model 62)
URD-029	R15	RESISTOR—150 ohms, $\frac{1}{2}$ w., carbon	RJS-003		SOCKET—Octal tube socket (Type 12SA7)
URD-081	R1	RESISTOR—22,600 ohms, $\frac{1}{2}$ w., carbon	RJC-051	T4	SOCKET—Octal tube socket
URD-113	R2, 13, 14	RESISTOR—470,000 ohms, $\frac{1}{2}$ w., carbon	RRC-054	R11	COIL—Oscillator coil
URD-129	R10	RESISTOR—2.2 meg., $\frac{1}{2}$ w., carbon	RRW-008	R17	POTENTIOMETER—0.5 megohm, volume control
URD-141	R12	RESISTOR—0.8 meg., $\frac{1}{2}$ w., carbon	RTL-050	T1	RESISTOR—18 ohms, 1 watt, wirewound
URF-051	R16	RESISTOR—1200 ohms, 2 w., carbon	RTL-051	T2	TRANSFORMER—1st I-F transformer
SPECIALIZED G-E REPLACEMENT PARTS			ETO-036	T3	TRANSFORMER—2nd I-F transformer
RAB-054	L1	BACK—Cabinet back cover (includes loop antenna)	RWL-009		TRANSFORMER—Output transformer
RAU-020		CABINET—Mahogany plastic cabinet (Model 60)	RWL-014		CORD—Power cord, brown (Model 60)
			RZC-005	M1	CORD—Power cord, white (Model 62)
			RZC-006	M1	CLOCK—60 cycle, 105-125 v., clock assembly
					CLOCK—50 cycle, 105-125 v., clock assembly

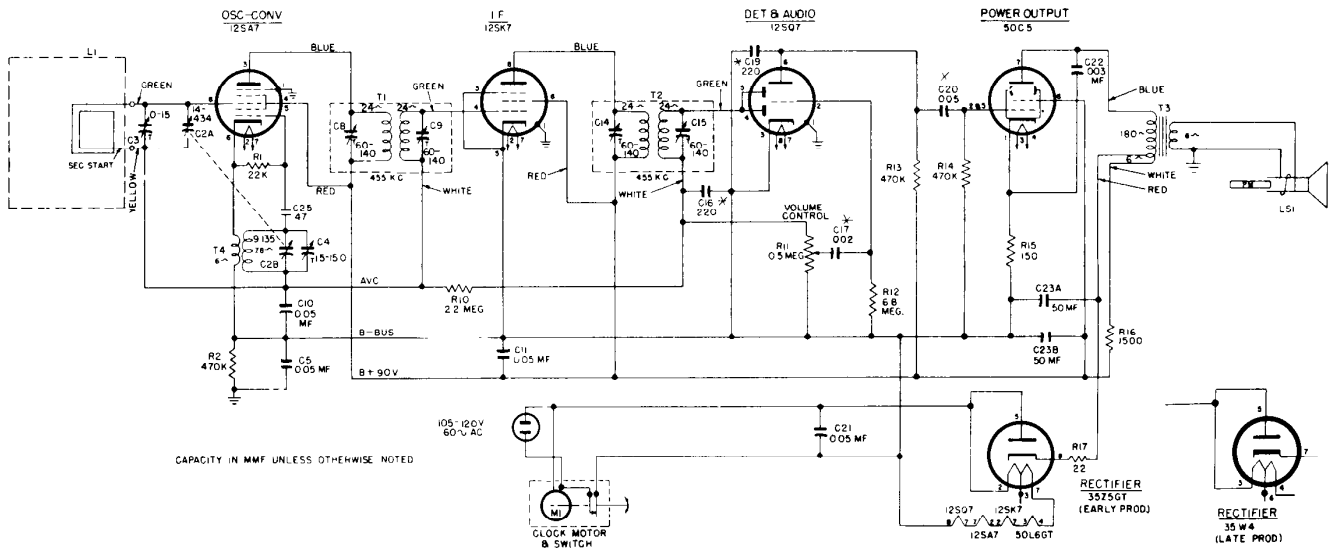
MODELS 64 AND 65



MODELS 64 AND 65 RADIO REPLACEMENT PARTS LIST

Cat. No.	Symbol	Description	Sug- gested Unit List Price	Cat. No.	Symbol	Description	Sug- gested Unit List Price
UNIVERSAL REPLACEMENT PARTS				SPECIALIZED REPLACEMENT PARTS (Cont'd)			
UCC-028	C5, 10, 11	CAPACITOR—.05 mf., 400 v., paper	\$0 25	RAU-304		CABINET—Brown plastic (Model 64)	\$4.95
UCC-036	C17	CAPACITOR—.002 mf., 600 v., paper, see production change	.30	RAU-305		CABINET—White plastic (Model 65)	4.95
UCC-039	C20	CAPACITOR—.005 mf., 600 v., paper, see production change	.30	RCC-045	C21	CAPACITOR—.05 mf., 600 v., paper	.30
UCU-1036	C16, 19	CAPACITOR—220 mmf., mica, see production change	.30	RCC-074	C22	CAPACITOR—.003 mf., 600 v., paper	.25
URD-421	LS1	SPEAKER—PM loudspeaker	4 95	RCE-050	C23A, 23B	CAPACITOR—50 ml., 150 v.; 50 mf., 150 v., dry electrolytic	2.10
URD-009	R17	RESISTOR—22 ohms, 1/2 w., carbon	.13	RCT-021	C2A, 2B	CAPACITOR—Tuning capacitor (oscillator and r-f section)	4 70
URD-029	R15	RESISTOR—150 ohms, 1/2 w., carbon	.13	RCW-1043	C25	CAPACITOR—47 mmf., ceramic	.60
URD-081	R1	RESISTOR—22,000 ohms, 1/2 w., carbon	.13	RCW-3013	C16, 17, 19, 20	CAPACITOR—220 mmf., .002 mf., 220 mmf., .005 mf., (4 section ceramic)	1 00
URD-113	R2, 13, 14	RESISTOR—470,000 ohms, 1/2 w., carbon	.13	RDK-028		KNOB—Volume control knob	.10
URD-129	R10	RESISTOR—2.2 meg., 1/2 w., carbon	.13	RDK-094		KNOB—Tuning dial wheel	.45
URD-141	R12	RESISTOR—6.8 meg., 1/2 w., carbon	.13	RDS-082		SCALE—Dial scale	.30
URF-053	R16	RESISTOR—1500 ohms, 2 w., carbon	.17	RHC-018		SNAP FASTENER—For cabinet back	.05
SPECIALIZED REPLACEMENT PARTS				RJC-004		CLIP—Loop connector clip	.02
RAB-054	L1	BACK—Cabinet back cover (includes loop L1 and antenna primary)	\$1 80	RJS-092		SOCKET—Tube socket for 50C5, 35W4	.20
RAB-097	L1	BACK—Cabinet back cover (includes loop L1 (antenna primary omitted))	1.80	RJS-116		SOCKET—Tube socket for 12SA7	.15
RAC-060		SHIELD PLATE—Metal plate covers bottom of chassis	.35	RJS-117		SOCKET—Tube socket for 12SK7, 12SQ7	.15
RAC-073		MOUNTING BRACKET—Metal back cover holds clock to cabinet	.45	RLC-600	T4	COIL—Oscillator coil	.90
				RRC-054	R11	POTENTIOMETER—0.5 meg., volume control	1.25
				RTL-094	T1	TRANSFORMER—1st I-F transformer	1 90
				RTL-095	T2	TRANSFORMER—2nd I-F transformer	1.90
				RTO-036	T3	TRANSFORMER—Output transformer	2 85
				RWL-009		CORD—Power cord (brown) for Model 64	.70
				RWL-010		CORD—Power cord (white) for Model 65	.75
				RZC-009	M1	CLOCK—60 cycle, 105-125 v. clock assembly	11 50

MODELS 66,67

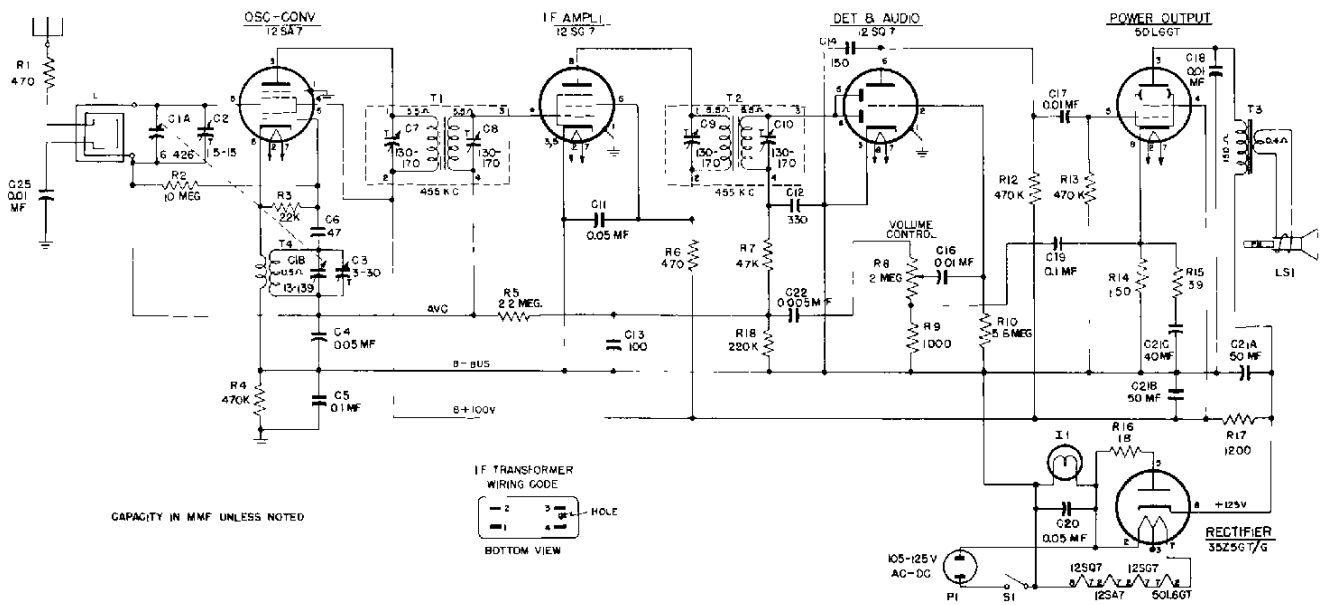


CAPACITY IN MF UNLESS OTHERWISE NOTED

MODEL 66 AND 67 REPLACEMENT PARTS

Cat. No.	Symbol	Description	Unit List Price	Cat. No.	Symbol	Description	Unit List Price
UNIVERSAL REPLACEMENT PARTS				SPECIALIZED REPLACEMENT PARTS (Cont'd)			
UCC-028	C5, 10, 11	CAPACITOR—.05 mf., 400 v., paper	\$0.25	RCE-050	C23A, 23B	CAPACITOR—50 mf., 150 v., 50 mf., 150 v., dry electrolytic	\$2.10
UCC-630	C17, 20	CAPACITOR—.01 mf., 600 v., paper (used in early production) (may replace respective sections of RCW-3013)	.30	RCT-021	C2A, 2B	CAPACITOR—Tuning capacitor (oscillator and r-f section)	4.70
UCU-036	C16, 19	CAPACITOR—220 mmf., mica (used in early production) (may replace respective sections of RCW-3013)	.30	RCW-1043	C25	CAPACITOR—47 mmf., ceramic	.60
UOP-421	LS1	SPEAKER—PM loudspeaker	4.95	RCW-3013	C16, 17, 19, 20	CAPACITOR—220 mmf., .002 mf., 220 mmf., .005 mf., (4 section ceramic) (see UCC-630 UCU-036)	1.00
URD-009	R17	RESISTOR—22 ohms, 1/2 w., carbon	.13	RDK-028		KNOB—Volume control knob	.10
URD-029	R15	RESISTOR—150 ohms, 1/2 w., carbon	.13	RDK-094		KNOB—Tuning dial wheel	.45
URD-081	R1	RESISTOR—22,000 ohms, 1/2 w., carbon	.13	RDS-047		SCALE—Dial scale (Model 66)	.30
URD-113	R2, 13, 14	RESISTOR—470,000 ohms, 1/2 w., carbon	.13	RDS-050		SCALE—Dial scale (Model 67)	.10
URD-129	R10	RESISTOR—2.2 meg., 1/2 w., carbon	.13	RJC-004		CLIP—Loop connector clip	.02
URD-141	R12	RESISTOR—6.8 meg., 1/2 w., carbon	.13	RJS-092		SOCKET—Tube socket for 50C5, 35W4	.20
URE-053	R16	RESISTOR—1500 ohms, 2 w., carbon	.17	RJS-116		SOCKET—Tube socket for 12SA7	.15
SPECIALIZED REPLACEMENT PARTS				RJS-117		SOCKET—Tube socket for 12SK7, 12SQ7, 35Z5-GT	.15
RAB-054	L1	BACK—Cabinet back cover (includes loop L1)	\$1.80	RLC-051	T4	COIL—Oscillator coil	1.85
RAC-074		MOUNTING BRACKET—Metal back cover holds clock to cabinet	.75	RHH-004		SNAP FASTENER—For cabinet back	.30
RAU-020		CABINET—Brown plastic (Model 66)	4.25	RRC-054	R11	POTENTIOMETER—0.5 meg., volume control	1.25
RAU-021		CABINET—White plastic (Model 67)	6.95	RTL-094	T1	TRANSFORMER—1st I-F transformer	1.90
RCC-045	C21	CAPACITOR—.05 mf., 600 v., paper	.30	RTL-095	T2	TRANSFORMER—2nd I-F transformer	1.90
RCC-074	C22	CAPACITOR—.003 mf., 600 v., paper	.25	RTO-036	T3	TRANSFORMER—Output transformer	2.85
				RWL-009		CORD—Power cord (brown) for Model 66	.70
				RWL-016		CORD—Power cord (white) for Model 67	.75
				RZC-005	M1	CLOCK—60 cycle, 105-125 v., clock assembly	11.50

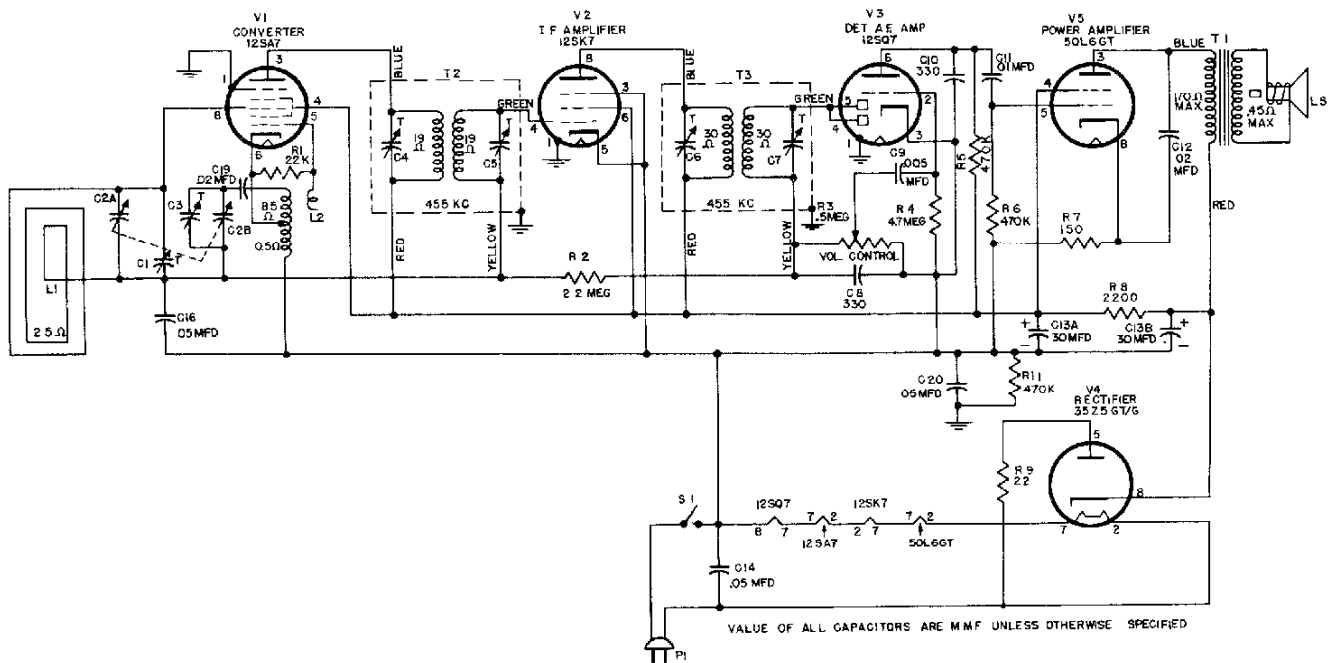
MODELS 100, 101, 103 & 105



REPLACEMENT PARTS LIST MODELS 100, 101, 103 & 105

PART NO	SYMBOL	DESCRIPTION	PART NO.	SYMBOL	DESCRIPTION
UNIVERSAL G-E REPLACEMENT PARTS			SPECIALIZED G-E REPLACEMENT PARTS (CONT'D)		
UCC-013	C19	CAPACITOR--0.1 mfd., 200 v., paper	RCU-112	C13	CAPACITOR 100 mmf., 500 v., mica
UCC-039	C22	CAPACITOR--0.005 mfd., 600 v., paper	RCU-113	C14	CAPACITOR--150 mmf., 500 v., mica
UCC-046	C25	CAPACITOR--0.01 mfd., 600 v., paper	RCU-115	C12	CAPACITOR--330 mmf., 500 v., mica
UCC-048	C4, 11	CAPACITOR--0.05 mfd., 600 v., paper	RDC-001		ASSEMBLY--Dial drive cord
UCC-048	C5	CAPACITOR--0.1 mfd., 600 v., paper	RDD-001		DRUM--Dial drive drum
UDL-018	I1	PILOT LAMP--115 v., 10 watt, candleabra base	RDR-001		RSCUTCHEON--Dial scale scutcheon (Models 103, 105)
URD-015	R15	RESISTOR--39 ohms, 1/2 w., carbon	RDF-001		WASHER--Felt washer for controls (Model 101)
URD-009	R14	RESISTOR--150 ohms, 1/2 w., carbon	RDF-003		WASHER--Felt washer for controls (Models 100, 103, 105)
URD-041	R6	RESISTOR--470 ohms, 1/2 w., carbon	RDK-001		KNOB--Control knob (Model 101)
URD-049	R0	RESISTOR--1,000 ohms, 1/2 w., carbon	RDK-004		KNOB--Control knob (Models 103, 105)
URD-061	R3	RESISTOR--22,800 ohms, 1/2 w., carbon	RDK-004		KNOB--Control knob (Model 100)
URD-089	R7	RESISTOR--226,600 ohms, 1/2 w., carbon	RDP-002		POINTER--Dial scale pointer
URD-105	R18	RESISTOR--470,600 ohms, 1/2 w., carbon	RDS-001		SCALE--Dial scale (Models 100, 101)
URD-113	R4, 12, 13	RESISTOR--470,600 ohms, 1/2 w., carbon	RDS-002		SCALE--Dial scale (Models 103, 105)
URD-129	R5	RESISTOR--2.2 megohms, 1/2 w., carbon	RDX-001		ASSEMBLY--Dial scale back plate assembly
URD-130	R10	RESISTOR--5.6 megohms, 1/2 w., carbon	RHG-001		GRÖMMET--Tuning capacitor mounting grommet
URD-145	R2	RESISTOR--10 megohms, 1/2 w., carbon	RHM-001		RING--Pointer shaft retainer ring
URE-007	R16	RESISTOR--18 ohms, 1 w., carbon	RHM-002		CLIP--Speaker mounting clip
URF-051	R17	RESISTOR--1200 ohms, 2 w., carbon	RHM-004		CLIP--Dial scale mounting clip (Models 100, 101)
SPECIALIZED G-E REPLACEMENT PARTS			RHM-005		CLIP--Dial scale mounting clip (Models 103, 105)
RAB-001		BACK--Cabinet Back Cover (Models 103, 105)	RHU-001		SPACER--Scale back plate spacer
RAB-002		BACK--Cabinet Back Cover, white (Model 101)	RHU-002		SPACER--Tuning capacitor mounting spacer
RAB-000		BACK--Cabinet Back Cover, brown (Model 100)	RIC-001	T4	COIL--Oscillator coil assembly
RAD-001		BRACKET--Antenna Bracket, right rear	RIL-001	L1	BEAM-A-SCOPE--Loop antenna assembly
RAD-002		BRACKET--Antenna Bracket, left rear	RIM-001		SHIELD--Tube shield
RAU-002		CABINET--Brown Plastic, with grille assembly (Model 100)	RMS-001		SPRING--Drive cord tension spring
RAU-003		CABINET--Ivory Plastic, with grille assembly (Model 101)	RMU-001	LS1	SHAFT--Tuning control shaft
RAX-001		ASSEMBLY--Idler pulley assembly	ROP-005		LOUDSPEAKER--5 1/4-inch permanent magnet
RCC-049	C16, 17, 18	CAPACITOR--0.01 mfd., 600 v., paper	RRC-002	R2, S1	VOLUME CONTROL--2.0 megohm potentiometer (includes power switch)
RCC-048	C20	CAPACITOR--0.03 mfd., 600 v., paper	RTL-001	T1	TRANSFORMER--1st i-f transformer
RCE-001	C11A, 21B, 21C	CAPACITOR--50 mf., 150 v., 50 mf., 150 v., 40 mf., 25 v., dry electrolytic	RTL-002	T2	TRANSFORMER--2nd i-f transformer
RCT-001	C1A, C1B	CAPACITOR--Tuning capacitor assembly	RTO-001	T3	TRANSFORMER--Output transformer
RCU-110	C2, C3	CAPACITOR 47 mmf., 000 v., mica	RTS-001		SOCKET--Pilot lamp socket
	C6		RTS-003		SOCKET--Octal base tube socket
			RTS-004		SOCKET--Electrolytic capacitor mounting socket
			RWL-001	P1	CORD--Power cord and plug

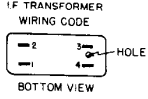
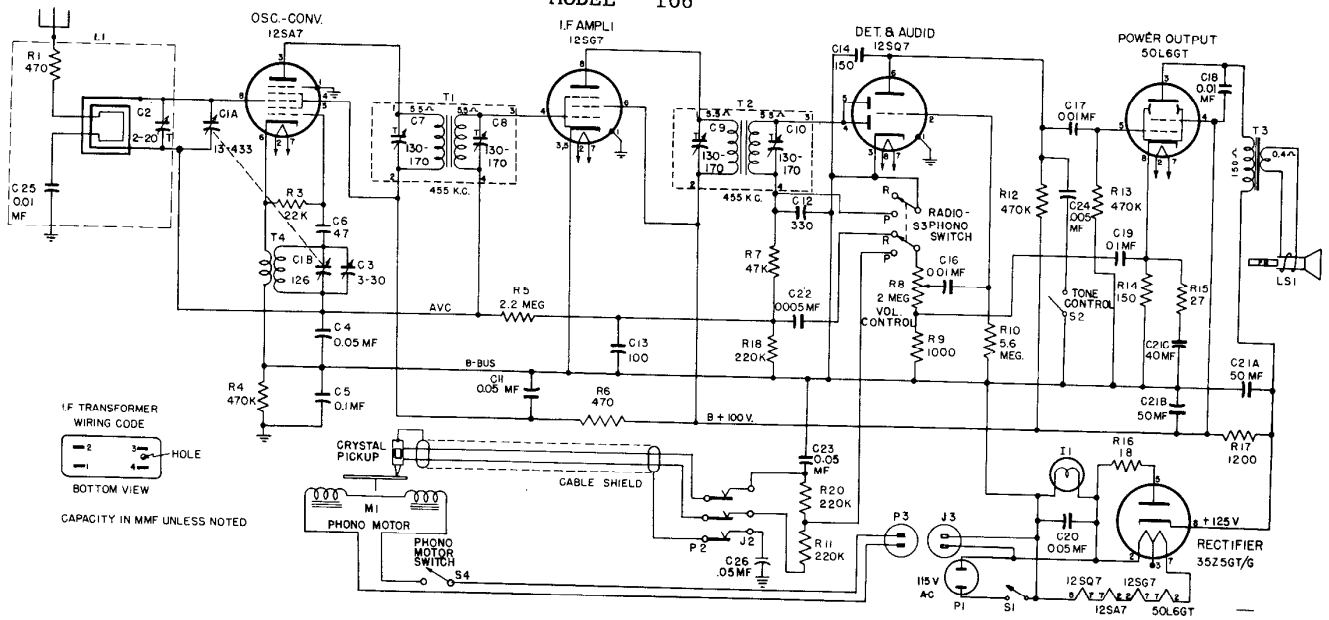
MODELS 102, 102W, 107, 107W, 114, 114W, 115, 115W



**MODELS 102, 102W, 107, 107W, 114, 114W, 115 AND 115W
REPLACEMENT PARTS LIST**

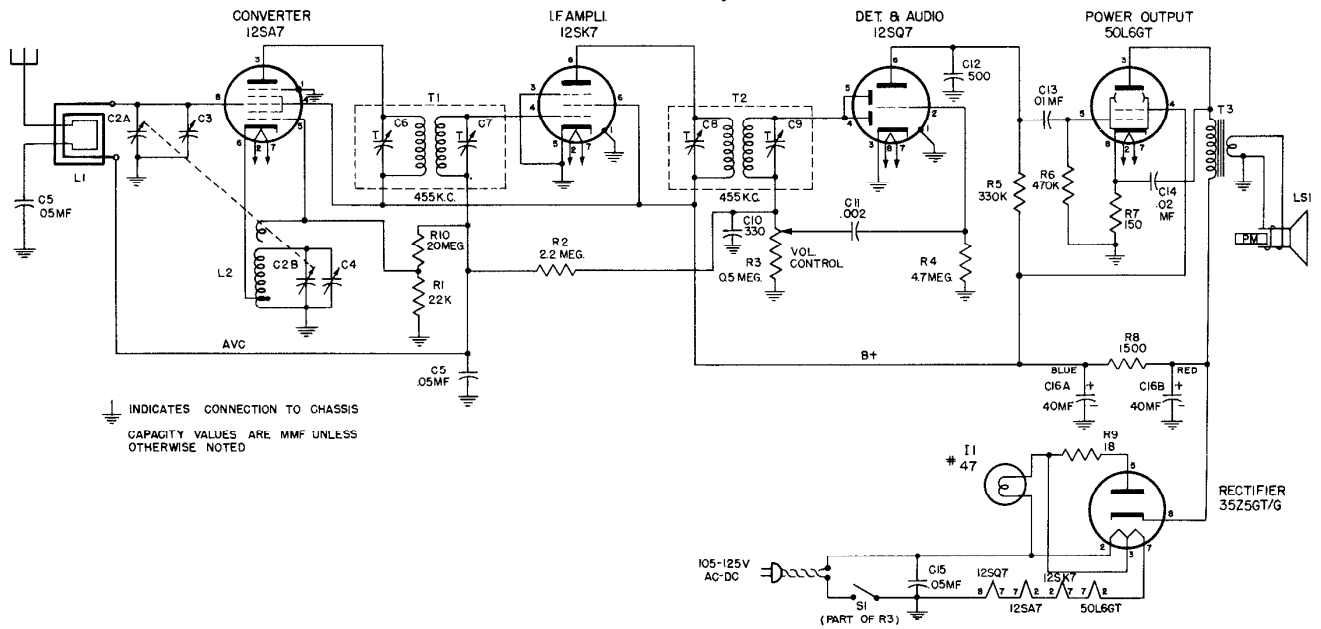
Cat. No	Symbol	Description	Suggested Unit List Price	Cat. No	Symbol	Description	Suggested Unit List Price
UNIVERSAL REPLACEMENT PARTS				SPECIALIZED REPLACEMENT PARTS (Cont'd)			
UCC-625	C9	CAPACITOR—005 mf., 600 v., paper	\$0.25	RDK-020		KNOB—Control knob, Models 102W, 107W, 114W for knurled shaft	\$0.15
UCC-630	C11, 17	CAPACITOR—.01 mf., 600 v., paper	.30	RDK-031		KNOB—Control knob for 102, 107, and 114 for knurled shaft	.20
UCC-631	C12, 19	CAPACITOR—.02 mf., 600 v., paper	.30	RDK-121		KNOB—Control knob for Model 115 for knurled shaft	.15
UCC-635	C14, 16, 20	CAPACITOR—.05 mf., 600 v., paper	.40	RDK-122		KNOB—Control knob for Model 115W for knurled shaft	.25
UCU-040	C8, 10	CAPACITOR—330 mmf., mica	.30	RDS-063		SCALE—Dial scale for Models 115 and 115W	.90
UOP-487		SPEAKER—4-inch PM speaker, same as S403D7	3.75	RHG-017		GROMMET—(3 used for mounting tuning capacitor)	.05
UOX-009		SPEAKER REPAIR KIT	1.25	RHH-004		SNAP FASTENER—For mounting cabinet back to cabinet	.02
URD-009	R9	RESISTOR—22 ohms, 1/4 w., carbon	.13	RHJ-005		SPACER—For mounting tuning capacitor	.02
URD-029	R7	RESISTOR—150 ohms, 1/2 w., carbon	.13	RHM-046		CLIP—For mounting dial scale	.02
URD-081	R1	RESISTOR—22,000 ohms, 1/2 w., carbon	.13	RJS-003		SOCKET—Octal tube socket	.20
URD-113	R5, 6, 11	RESISTOR—470,000 ohms, 1/2 w., carbon	.13	RMW-040		PULLEY—Idler pulley for dial cord	.05
URD-129	R3	RESISTOR—2.2 meg., 1/4 w., carbon	.13	RRC-077	R3, S1	CONTROL—Volume control, includes power switch with knurled shaft	1.65
URD-137	R4	RESISTOR—4.7 meg., 1/2 w., carbon	.13	SCE-001	C13A, B	CAPACITOR—.30 mf., 150 v. 30 mf., 150 v., dry electrolytic	1.60
URF-037	R8	RESISTOR—330 ohms, 2 w., carbon	.25	SDK-011		KNOB—White, for flat shaft	.30
				SDP-001		POINTER—Dial scale pointer	.15
				SDS-019		SCALE—Dial scale for Models 102, 102W, 107, 107W, 114, and 114W	1.10
				SLC-020	L4	COIL—Oscillator coil	.90
				SMS-013		SPRING—Dial cord tension spring	.05
				SRC-003	R3, S1	VOLUME CONTROL and switch with flat shaft	1.65
				STL-007	T2	TRANSFORMER—1st IF trans former	2.25
				STL-008	T3	TRANSFORMER—2nd IF trans former	2.20
				STO-005	T1	TRANSFORMER—Output trans former	2.75
				SWL-001		CORD—Power cord	.75
SPECIALIZED REPLACEMENT PARTS							
RAB-070	L1	BACK—Cabinet back with loop	\$1.70				
RAU-028		CABINET—Brown (Model 102)	6.90				
RAU-029		CABINET—Brown (Model 107)	6.90				
RAU-030		CABINET—Brown (Model 115)	6.90				
RAU-031		CABINET—Ivory (Model 115W)	9.40				
RAU-032		CABINET—Ivory (Model 114W)	9.40				
RAU-033		CABINET—Brown (Model 114)	6.90				
RAU-034		CABINET—Ivory (Model 107W)	9.40				
RAU-035		CABINET—Ivory (Model 102W)	9.40				
RCT-029	C1, 1A, 2B, C3	CAPACITOR—2-section tuning capacitor	4.10				
RDC-033		CORD—Dial drive cord, 10 yds min	.10 /yd				

MODEL 106



CAPACITY IN MMF UNLESS NOTED

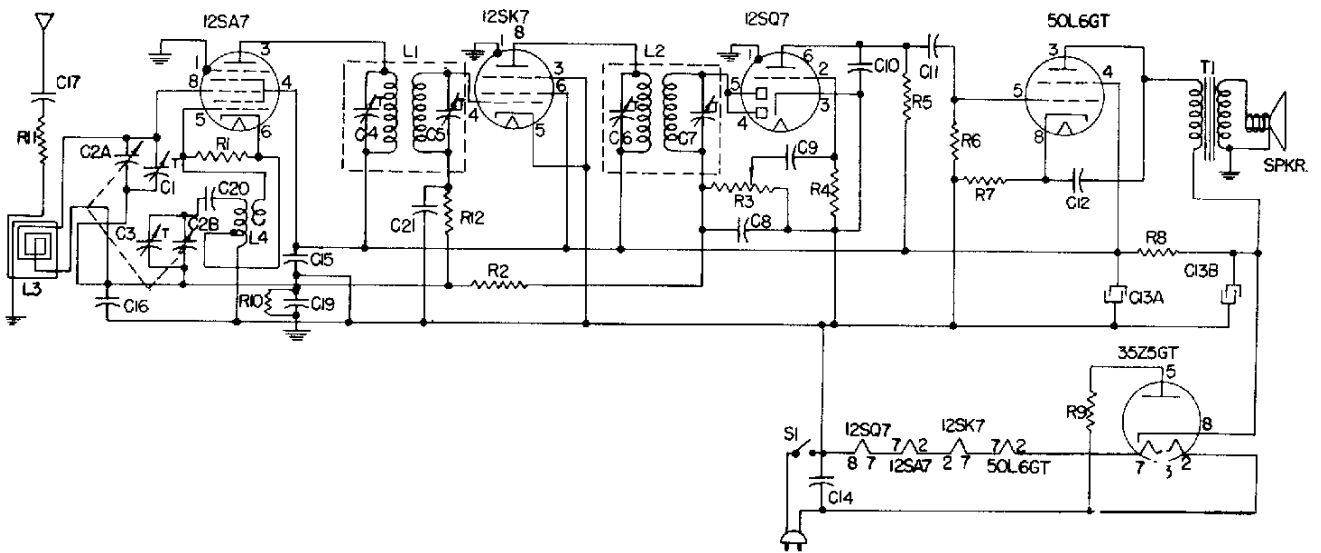
MODELS 110, 111



REPLACEMENT PARTS LIST MODELS 110 & 111

CAT NO	SYMBOL	DESCRIPTION	CAT NO	SYMBOL	DESCRIPTION
UNIVERSAL REPLACEMENT PARTS			SPECIALIZED REPLACEMENT PARTS (CONT'D)		
UCC-010	C1, 11	CAPACITOR--0.002 mfd., 400 v., paper	RAU-015		CABINET--Ivory cabinet (Model 111)
UCC-025	C13	CAPACITOR--0.01 mfd., 400 v., paper	RCE-040	C16a, b	CAPACITOR--40 mfd., 40 mfd., 150 v. electrolytic
UCC-026	C14	CAPACITOR--0.02 mfd., 400 v., paper	RCT-017	C2a, 2b	CONDENSER--Variable tuning condenser
UCC-028	C5 15	CAPACITOR--0.05 mfd., 400 v., paper	RDC-022		CORD--Drive cord and spring
UCU-1040	C10	CAPACITOR--330 mmf., mica	RDK-045		KNOB--Control knob (ivory)
UCU-2045	C12	CAPACITOR--510 mmf., mica	RDK-077		KNOB--Control knob (walnut)
UOP-407	LS1	LOUDSPEAKER--4-in. P.M. speaker	RDP-024		POINTER--Dial pointer
UOX-009		CONE--Replacement speaker cone	RDS-035		SCALE--Dial scale assembly
URD-029	R7	RESISTOR--150 ohms, 1/2 w., carbon	RDW-002		WINDOW--Celluloid dial window
URD-081	R1	RESISTOR--22,000 ohms, 1/2 w., carbon	RHX-005		HARDWARE--Tuning condenser mounting hardware
URD-109	R5	RESISTOR--330,000 ohms, 1/2 w., carbon	RJF-002		CLIP--Beam scope and back cover clip
URD-129	R2	RESISTOR--2.2 meg., 1/2 w., carbon	RJS-006		SOCKET--Octal base socket
URD-137	R4	RESISTOR--4.7 meg., 1/2 w., carbon	RJS-061		SOCKET--Pilot lamp socket assembly
URD-153	R10	RESISTOR--20 meg., 1/2 w., carbon	RLC-031	L2	COIL--Oscillator coil
URE-007	R9	RESISTOR--18 ohms, 1 w., carbon	RMS-054		SPRING--Drive cord spring
URP-053	R8	RESISTOR--1500 ohms, 2 w., carbon	RMX-054		SHAFT--Drive shaft assembly
SPECIALIZED REPLACEMENT PARTS			RRC-037	R3, S1	VOLUME CONTROL--0.5 meg. potentiometer and switch
RAB-043	L1	BEAM A-SCOPE--Back cover and beam scope assembly	RTL-035	T1	TRANSFORMER--1st IF transformer
RAU-014		CABINET--Walnut cabinet (Model 110)	RTL-036	T2	TRANSFORMER--2nd IF transformer
			RTO-023	T3	TRANSFORMER--Output transformer
			RWL-004		CORD--Power cord assembly

MODEL 112

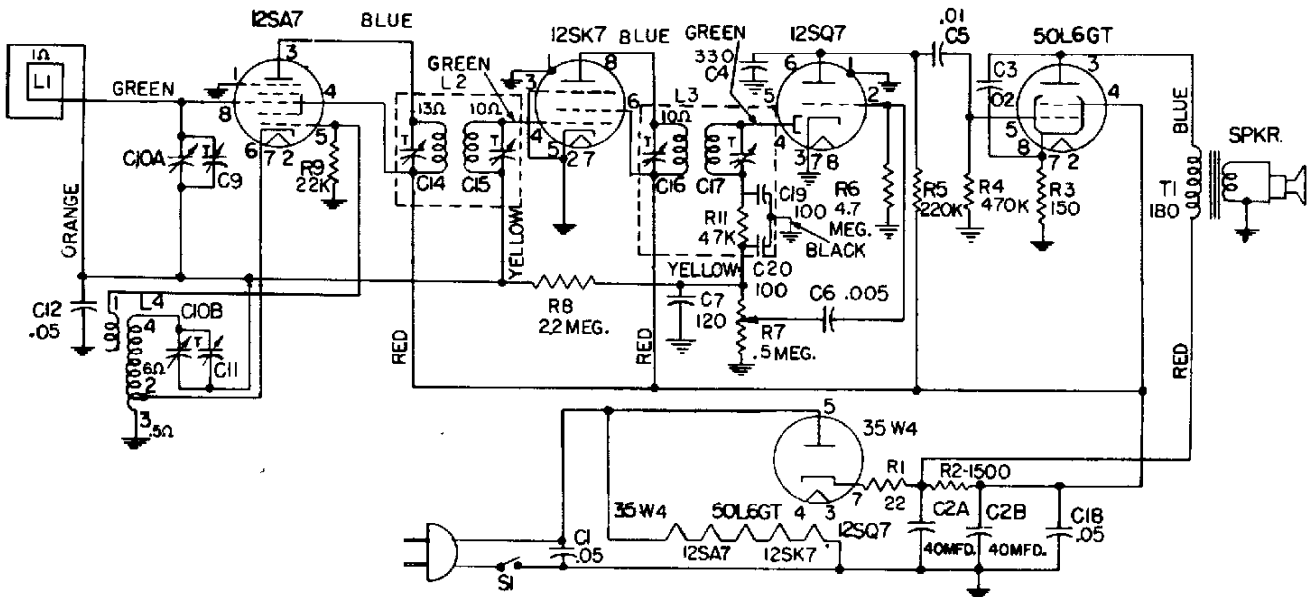


MODEL 112

REPLACEMENT PARTS LIST							
Cat. No.	Symbol	Description	Suggested Unit List Price	Cat. No.	Symbol	Description	Suggested Unit List Price
UNIVERSAL REPLACEMENT PARTS				UNIVERSAL REPLACEMENT PARTS (Cont'd.)			
UCC-040	C11,17	CAPACITOR - .01 mf., 600 v., paper	\$0.25	URD-137	R4	RESISTOR - 4.7 meg., 1/2 w., carbon	\$0.13
UCC-041	C12,20	CAPACITOR - .02 mf., 600 v., paper	.25	URP-059	R8	RESISTOR - 2700 ohms, 1/2 w., carbon	.17
UCC-044	C9,21	CAPACITOR - .005 mf., 600 v., paper	.30	SPECIALIZED REPLACEMENT PARTS			
UCC-045	C14,15, 16	CAPACITOR - .05 mf., 600 v., paper	.30	SCE-001	C13A,B	CAPACITOR - Electro- lytic capacitor	\$1.60
UCC-048	C19	CAPACITOR - .1 mf., 600 v., paper	.45	SCT-013	C2A,B	CAPACITOR - Tuning capacitor	5.25
UCU-036	G8,10	CAPACITOR - 220 mf., mica	.30	SJS-003		SOCKET - Tube socket	.20
URD-007	R9	RESISTOR - 18 ohms, 1/2 w., carbon	.13	SIC-001	L4	COIL - Oscillator coil	.90
URD-029	R7	RESISTOR - 150 ohms, 1/2 w., carbon	.13	SLL-006	L3	LOOP - Antenna loop	1.75
URD-041	R11	RESISTOR - 470 ohms, 1/2 w., carbon	.13	SOP-003		SPEAKER	5.00
URD-081	R1	RESISTOR - 22,000 ohms, 1/2 w., carbon	.13	SRC-070	R3,S1	VOLUME CONTROL	1.65
URD-113	R5,6, 10,12	RESISTOR - 470,000 ohms, 1/2 w., carbon	.13	STL-007	L1	TRANSFORMER - 1st I-F transformer	2.25
URD-129	R2	RESISTOR - 2.2 meg., 1/2 w., carbon	.13	STL-015	L2	TRANSFORMER - 2nd I-F transformer	2.50
RAB 061	Cab Back			STO-004	T1	TRANSFORMER - Output transformer	2.75
				SWL-001		CORD - Power cord	.75
				RAU 026		Cabinet	

Prices subject to change without notice.

MODEL 113



MODEL 113—REPLACEMENT PARTS LIST

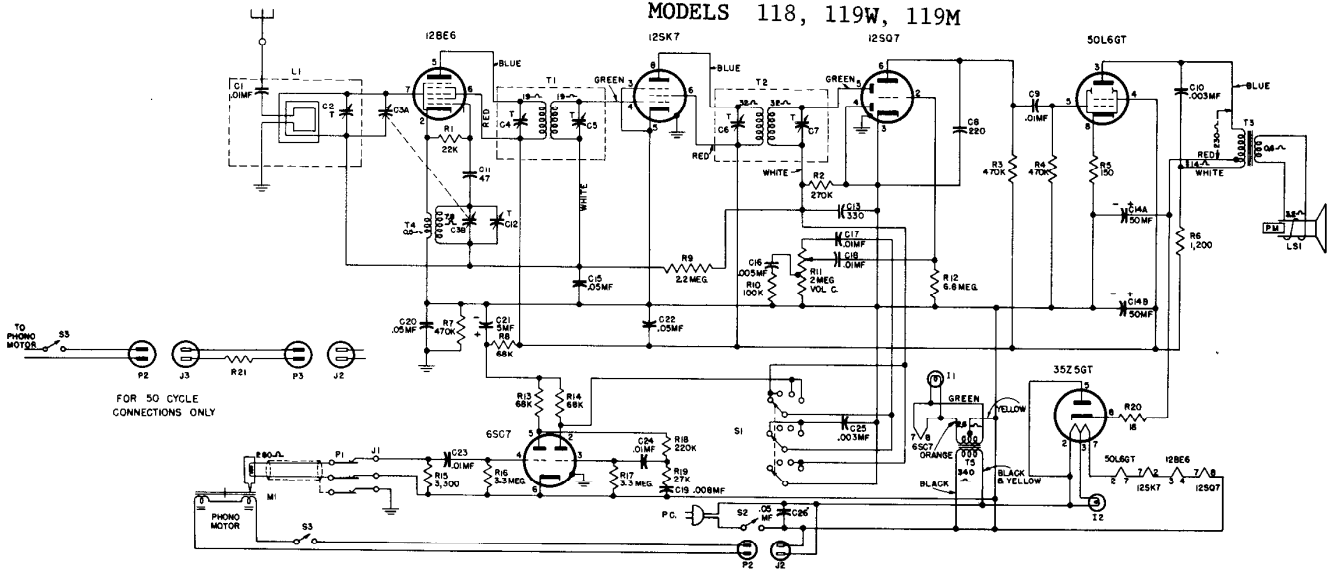
Cat No	Symbol	Description	Suggested Unit List Price	Cat No	Symbol	Description	Suggested Unit List Price
UNIVERSAL REPLACEMENT PARTS				SPECIALIZED REPLACEMENT PARTS			
UCC-625	C6	CAPACITOR - .005 mf., 600 v., paper	\$0.25	RCW-2032	C4	CAPACITOR—330 mmf., mica	\$0.60
UCC-630	C5	CAPACITOR— .01 mf., 600 v., paper	.30	RDK-008		KNOB—Volume control (Mahogany)	.25
UCC-631	C3	CAPACITOR— .02 mf., 600 v., paper	.30	RDK-041		KNOB—Tuning knob with set screw	.15
UCC-635	C1, 12, 18	CAPACITOR— .05 mf., 400 v., paper	.40	RDK-144		KNOB—Tuning knob (Mahogany) for piano shaft	.40
UCU-036		CAPACITOR—220 mmf., mica	.30	RJS-003		SOCKET - Tube socket (octal)	.20
UCU-1030*	C7	CAPACITOR—120 mmf., mica	.25	RIS-092		SOCKET - Tube socket	.20
UOP-487	SPKR	SPEAKER—4-inch PM speaker	3.75	RWL-009		POWER CORD	.70
URD-009	R1	RESISTOR—22 ohms, 1/2 w., carbon	.13	SAR-001		RACK—Cabinet back	.15
URD-029	R3	RESISTOR 150 ohms, 1/2 w., carbon	.13	SAU-022		CABINET—Plastic	4.95
URD-081	R9	RESISTOR 22,000 ohms, 1/2 w., carbon	.13	SCE-009	C2A, B	CAPACITOR—40 x 40 mf., electrolytic	1.70
URD-105	R5	RESISTOR—220,000 ohms, 1/2 w., carbon	.13	SCT-005	C10A, B	CAPACITOR—Tuning capacitor (knorled with split shaft)	5.25
URD-113	R4	RESISTOR—470,000 ohms, 1/2 w., carbon	.13	SDK-005**		KNOB - Tuning knob, for knorled shaft	.30
URD-129	R8	RESISTOR 2.2 meg., 1/2 w., carbon	.13	SDK-007		KNOB - Knob for volume control	.20
URD-137	R6	RESISTOR—4.7 meg., 1/2 w., carbon	.13	SLC-020	L4	COIL—Oscillator coil	.90
URF-053	R2	RESISTOR—1500 ohms, 2 w., carbon	.25	SLL-002	L1	LOOP - Loop antenna	1.55
				SRC-004	R7	VOLUME CONTROL AND SWITCH	1.65
				STL-007	L2	I-F TRANSFORMER 1st i-f transformer	2.25
				STL-008	L3	I-F TRANSFORMER -2nd i-f transformer	2.20
				STO-004	T1	OUTPUT TRANSFORMER	2.75

* To be used with STL-008.

**To be used with SCT-005

NOTE Prices subject to change without notice

MODELS 118, 119W, 119M

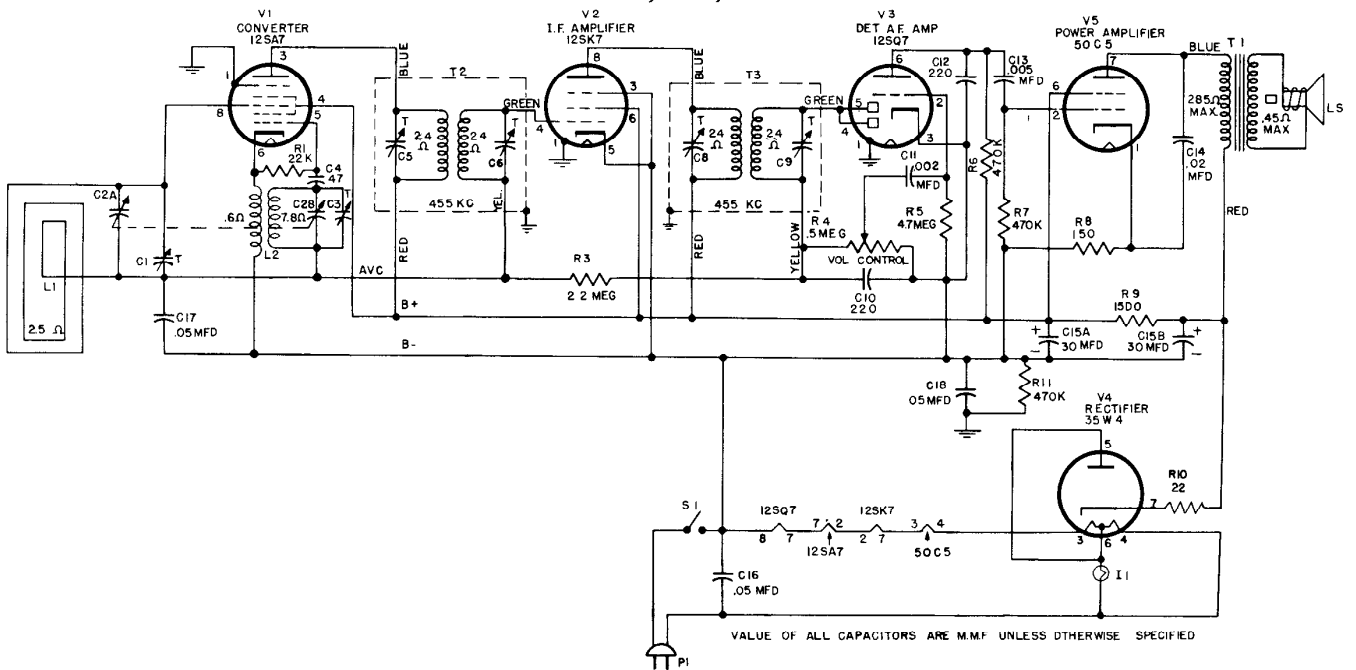


FOR 50 CYCLE CONNECTIONS ONLY

REPLACEMENT PARTS LIST—MODELS 118, 119W AND 119M

Cat. No.	Symbol	Description	Suggested Unit List Price	Cat. No.	Symbol	Description	Suggested Unit List Price
UNIVERSAL REPLACEMENT PARTS							
UCC-008	C23	CAPACITOR—.01 mf., 200 v., paper	\$0.25	RCE-056	C21	CAPACITOR—5 mf., 150 v., electrolytic	\$9.90
UCC-025	C17	CAPACITOR—.01 mf., 400 v., paper	.25	RCN-014	C26	CAPACITOR—Phenolic capacitor for Model 118	.45
UCC-028	C15, C20, C22	CAPACITOR—.05 mf., 400 v., paper	.25	RCT-026	C3A, C3B	CAPACITOR—Tuning capacitor	3.95
UCC-040	C1, C24	CAPACITOR—.01 mf., 600 v., paper	.25	RCY-005	C2	CAPACITOR—Trimmer for Model 118	.40
UCC-045	C26	CAPACITOR—.05 mf., 600 v., paper, Model 119	.30	RCY-034		CAPACITOR—Trimmer for Model 119	.45
UCC-623	C25	CAPACITOR—.003 mf., 400 v., paper	.25	RDC-032		CORD—Dial cord (10 yds. min.)	.10/rd
UCU-020	C11	CAPACITOR—.47 mmf., mica	.25	RDK-036		KNOB—Plain	.15
UCU-036	C8	CAPACITOR—.220 mmf., mica	.30	RDK-039		KNOB—With arrow	.15
UCU-040	C13	CAPACITOR—.330 mmf., mica	.30	RDS-055		SCALE—Dial scale	.85
UOP-557		SPEAKER—Model 118 Same as S525D-7	4.75	RDX-033		POINTER—Dial scale pointer assembly	.30
UOP-1247		SPEAKER—Model 119. Same as S1200D7	16.50	RHC-008		CLIP—For mounting filter capacitor	.10
UOK-005		SPEAKER REPAIR KIT—For Model 119	1.55	RHG-015		GROMMET—Rubber grommet for mounting tuning capacitor	.05
UOK-008		SPEAKER REPAIR KIT—For Model 118	RHJ-005		SPACER—For mounting tuning capacitor	.02
URD-029	R5	RESISTOR—150 ohms, 1/2 w., carbon	.13	RHM-001		RING—Tuner shaft retaining ring	.05
URD-061	R15	RESISTOR—3300 ohms, 1/2 w., carbon	.13	RHM-014		STUD—For dial idler pulley	.01
URD-061	R1	RESISTOR—22,000 ohms, 1/2 w., carbon	.13	RHM-016		CLIP—Oscillator coil clip	.02
URD-083	R19	RESISTOR—27,000 ohms, 1/2 w., carbon	.13	RHM-037		CLIP—For mounting dial scale	.02
URD-093	R8, R13, R14	RESISTOR—68,000 ohms, 1/2 w., carbon	.13	RHR-003		STUD—For mounting scale	.25
URD-097	R16	RESISTOR—100,000 ohms, 1/2 w., carbon	.13	RHS-004		SPACER—Between loop and cabinet	.05
URD-105	R18	RESISTOR—220,000 ohms, 1/2 w., carbon	.13	RJP-003		PLUG—Phono pour plug	.15
URD-107	R2	RESISTOR—270,000 ohms, 1/2 w., carbon	.13	RIS-003		SOCKET—Octal tube socket	.20
URD-113	R3, R4, R7	RESISTOR—470,000 ohms, 1/2 w., carbon	.13	RIS-027		SOCKET—For dial light	.50
URD-129	R9	RESISTOR—2.2 meg., 1/2 w., carbon	.13	RIS-031		SOCKET—Tube socket for 6SC7	.25
URD-133	R16, R17	RESISTOR—3.3 meg., 1/2 w., carbon	.13	RIS-033		SOCKET—Bezel pilot light socket	.45
URF-051	R6	RESISTOR—1200 ohms, 1 w., carbon	.25	RIS-049	J2, J3	SOCKET—Phono power	.25
				RIS-052		SOCKET—Miniature for 12BE6	.20
				RIS-097	J1	SOCKET—Phono pickup	.20
				RLC-031	T4	COIL—Oscillator coil	1.85
				RLL-026	L1	LOOP ASSEMBLY—Model 119	1.95
				RLL-028	L1	LOOP ASSEMBLY—Model 118	1.95
				RMM-034		HOOD—Hood for dial light	.35
				RMM-054		SUPPORT—Lid support	.90
				RMS-118		SPRING—Dial cord tension spring	.10
				RMU-036		SHAFT—Tuning shaft	.20
				RMW-037		PULLEY—Dial cord idler pulley	.05
				RRC-000	R11	VOLUME CONTROL—2 meg	1.25
				RRW-005	R21	RESISTOR—70 ohms, wirewound, for 50-cycle operation of phono motor	1.15
				RRW-008	R20	RESISTOR—18 ohms, 1 w., wirewound	.35
				RSW-043	S1	SWITCH—Radio phono switch	1.35
				RTF-001	T5	TRANSFORMER—Filament transformer for 6SC7	3.40
				RTL-050	T1	TRANSFORMER—1st I-F transformer	3.50
				RTL-051	T2	TRANSFORMER—2nd I-F transformer	3.25
				RTO-038	T3	TRANSFORMER—Output transformer	3.05
				RWL-009		CORD—Power cord	.70
SPECIALIZED REPLACEMENT PARTS							
RAC-050		LID—For Model 119 walnut	\$9.70				
RAC-051		LID—For Model 119 mahogany	9.70				
RAL-001		BEZEL—For pilot light	.10				
RAM-002		BASE—2 for Model 119 walnut	6.25				
RAM-003		BASE—2 for Model 119 mahogany	6.25				
RAV-044		CABINET—Walnut Model 119W	78.00				
RAV-045		CABINET—Mahogany Model 119M	78.00				
RAY-054		CABINET—Model 118	30.00				
RCC-040	C9	CAPACITOR—.01 mf., 600 v., paper	.30				
RCC-074	C10	CAPACITOR—.003 mf., 600 v., paper	.25				
RCC-082	C18	CAPACITOR—.01 mf., 200 v., paper	.25				
RCC-084	C19	CAPACITOR—.008 mf., 400 v., paper	.25				
RCC-085	C16	CAPACITOR—.005 mf., 200 v., paper	.25				
RCE-050	C14A, C14B	CAPACITOR—50-50 mfd., electrolytic, 150 v.	2.10				

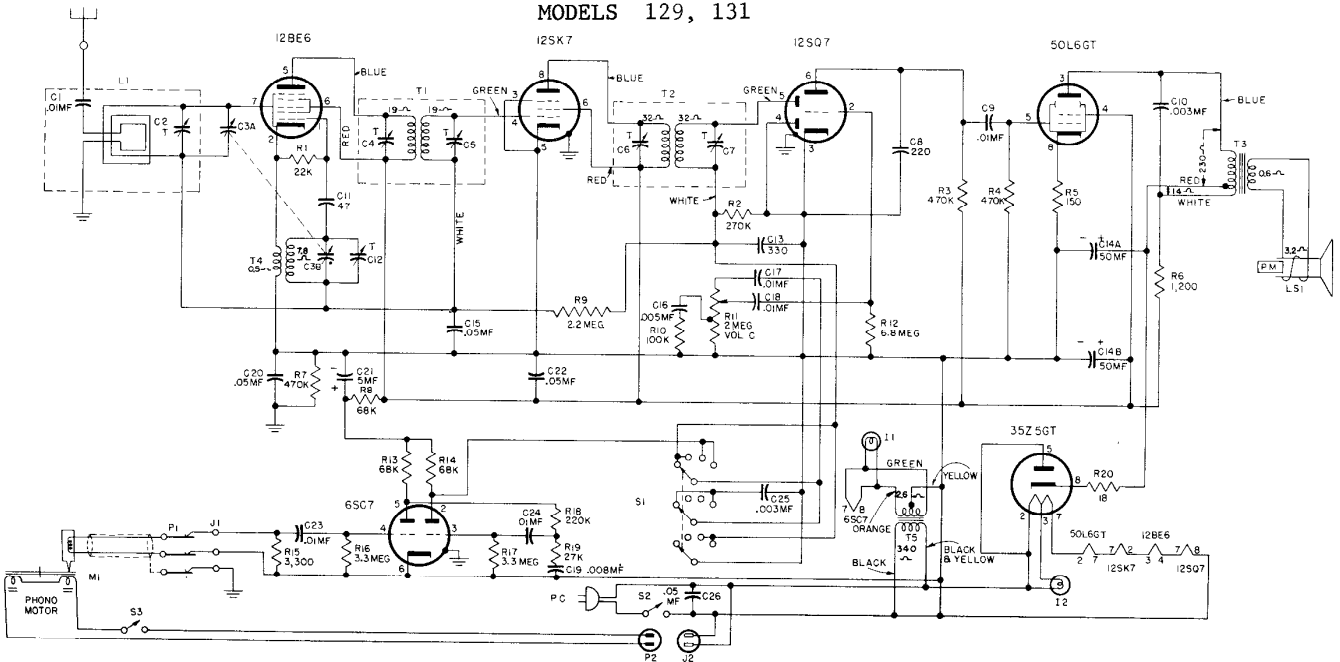
MODELS 123, 124, 125



REPLACEMENT PARTS LIST 123,124,125

CAT. NO.	SYMBOL	DESCRIPTION	SUG- GESTED UNIT LIST PRICE	CAT. NO.	SYMBOL	DESCRIPTION	SUG- GESTED UNIT LIST PRICE
UNIVERSAL REPLACEMENT PARTS				SPECIALIZED REPLACEMENT PARTS (CONT'D)			
UCC-028	C17, 18	CAPACITOR—05. mf., 400 v., paper	\$0.25	RDK-175		KNOB—Off-volume or tuning control knob (Model 124)	\$0.15
UCC-041	C14	CAPACITOR—02 mf., 600 v., paper	.25	RDP-048		POINTER—Dial scale pointer	.25
UCC-045	C16	CAPACITOR—05 mf., 600 v., paper	.30	RDS-083		DIAL SCALE—	.85
UCU-020	C4	CAPACITOR—47 mmf., ceramic	.25	RDW-021		DIAL SCALE WINDOW—	.60
UOP-487	LS1	LOUDSPEAKER	3.75	RHC-017		CLIP—Mounting clip for oscillator coil, L2	.02
URD-009	R10	RESISTOR—22 ohms, 1/2 w., carbon	.13	RHG-018		GROMMET—Cushion grommet for mounting tuning capacitor	.05
URD-029	R8	RESISTOR—150 ohms, 1/2 w., carbon	.13	RHH-002		FASTENER—For mounting dial scale window to cabinet	.005
URD-081	R1	RESISTOR—22,000 ohms, 1/2 w., carbon	.13	RHJ-005		SPACER WASHER—Used with cushion grommet to mount tuning capacitor	.02
URD-113	R6, 7, 11	RESISTOR—470,000 ohms, 1/2 w., carbon	.13	RHM-001		SPEED NUT—Clip holds loudspeaker to Model 124 cabinet	.02
URD-127	R5	RESISTOR—4.7 meg., 1/2 w., carbon	.13	RJC-004		CONNECTOR—For loudspeaker or antenna loop leads	.02
URD-129	R3	RESISTOR—2.2 meg., 1/2 w., carbon	.13	RJS-003		SOCKET—Tube socket for 12SA7, 12SK7 or 12SG7	.20
URF-053	R9	RESISTOR—1500 ohms, 2 w., carbon	.25	RJS-092		SOCKET—Tube socket for 50C5 or 35W4	.20
SPECIALIZED REPLACEMENT PARTS				RJC-031		SOCKET ASSEMBLY—Pilot light socket and bracket	.40
RAB-095	L1	LOOP AND BACK—Cabinet back and antenna loop	\$1.55	RLC-600		COIL—Oscillator coil, L2	.90
RAU-307		CABINET—Model 124 plastic cabinet (ivory)	7.95	RMS-118		SPRING—Dial cord tension spring on tuning drive drum	10
RAU-344		CABINET—Model 123 plastic cabinet (brown)	5.95	RRC-106	R4, S1	POTENTIOMETER—500,600 ohm volume control and switch	1.65
RCE-097	C15A, E	CAPACITOR—30-30 mf., 150 volt, dual section electrolytic	2.60	RTL-094	T2	TRANSFORMER—1st i-f transformer	1.90
RCT-037	C2A, B	CAPACITOR—Tuning capacitor	3.60	RTL-095	T3	TRANSFORMER—2nd i-f transformer	1.90
RCW-3025	C10, 11, 12, 13	CAPACITOR—220 mmf., 002 mf., 220 mmf., 005 mf., four-section ceramic	1.00	RTO-069	T1	TRANSFORMER—Output transformer	1.75
RDC-032		DIAL CORD—Bulk dial cord	2.50	RWL-009		POWER CORD—	.70
RDK-174		KNOB—Off-volume or tuning control knob (Model 123)	.15				
RAU-321		Cab., 125					

MODELS 129, 131

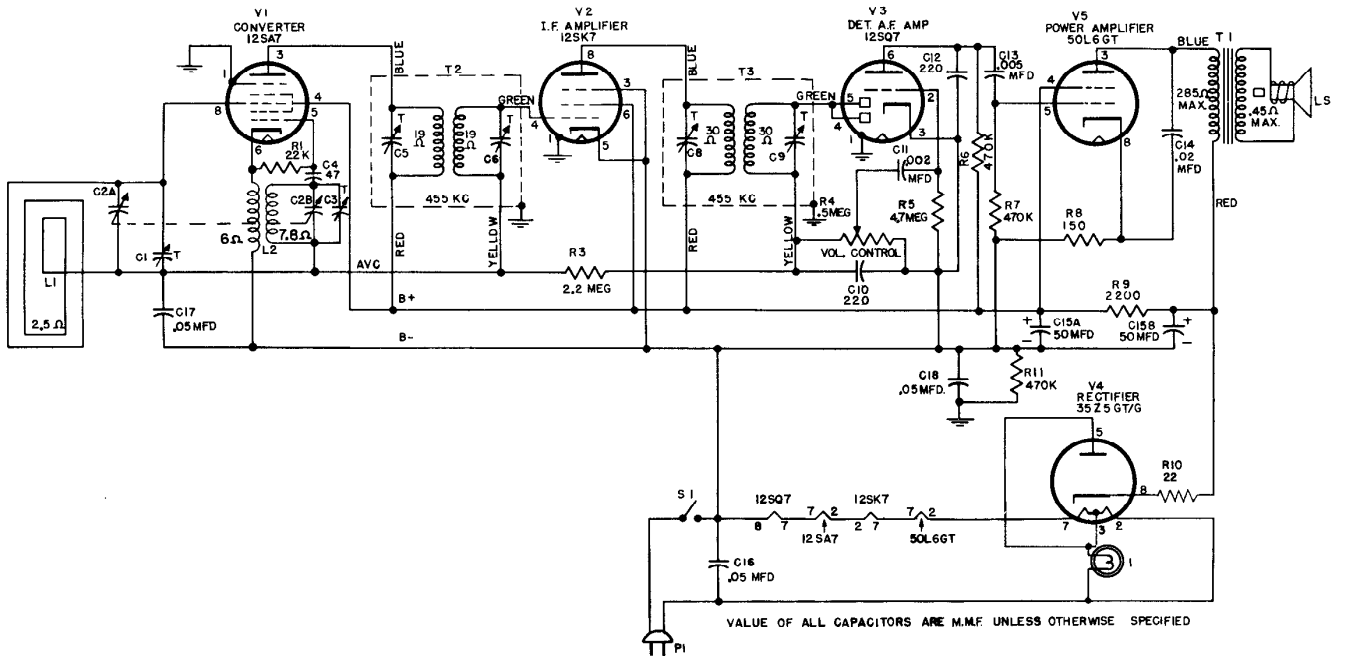


REPLACEMENT PARTS LIST—MODELS 129, 131

Cat. No.	Symbol	Description	Suggested Unit List Price	Cat. No.	Symbol	Description	Suggested Unit List Price
UNIVERSAL REPLACEMENT PARTS				*RCE-050	C14A, 14B	CAPACITOR—50-50 mfd., 150 v., electrolytic	\$2.10
*UCC-008	C23	CAPACITOR—.01 mf., 200 v., paper	\$0.25	*RCE 056	C21	CAPACITOR—5 mf., 150 v., electrolytic	.90
*UCC-020	C25	CAPACITOR—.003 mfd., 400 v., paper	.25	*RCT-025	C3A, 3B	CAPACITOR—Tuning capacitor	3.95
*UCC-025	C17	CAPACITOR—.01 mf., 400 v., paper	.25	*RCY 005	C2	CAPACITOR—Trimmer for Model 129	.40
*UCC-028	C15, 20, 22	CAPACITOR—.05 mf., 400 v., paper	.25	*RDC 032		CORD—Dial cord (10 yds min)	.45
*UCC-040	C1, 24	CAPACITOR—.01 mf., 600 v., paper	.25	*RDK-036		KNOB—Plain	.15
*UCC-045	C16	CAPACITOR—.05 mf., 600 v., paper	.30	*RDK-039		KNOB—With arrow	.15
*UCU-020	C11	CAPACITOR—.47 mmf., mica	.25	*RDS-055		SCALE—Dial scale	.85
*UCU-026	C9	CAPACITOR—.270 mmf., mica	.30	*RDX-033		POINTER—Dial scale pointer assembly	.30
*UCU-040	C13	CAPACITOR—.330 mmf., mica	.30	*RHC 008		CLIP—For mounting filter capacitor	.10
*UOP-557		SPEAKER—Model 129, Same as S52SD-7	4.75	*RHG 015		GROMMET—Rubber grommet for mounting tuning capacitor	.05
*UOP-1241		SPEAKER—Model 131 Same as S120GD-7	16.50	*RHj 005		SPACER—For mounting tuning capacitor	.02
*UOX 005		SPEAKER REPAIR KIT—For Model 131	1.55	*RHM 001		RING—Tuner shaft retaining ring	.05
*UOX-008		SPEAKER REPAIR KIT—For Model 129	1.50	*RHM 014		STUD—For dial idler pulley	.01
*URD 029	R5	RESISTOR—150 ohms, 1/4 w., carbon	.13	*RHM-016		CLIP—Oscillator coil clip	.02
*URD 051	R15	RESISTOR—3300 ohms, 1/2 w., carbon	.13	*RHM-037		CLIP—For mounting dial scale	.02
*URD-061	R1	RESISTOR—22,000 ohms, 1/2 w., carbon	.13	*RHR 003		STUD—For mounting scale	.25
*URD 083	R19	RESISTOR—27,000 ohms, 1/2 w., carbon	.13	*RHS-004		SPACER—Between loop and cabinet	.05
*URD-003	R8, 13, 14	RESISTOR 58,000 ohms, 1/2 w., carbon	.13	*RJP-003	P2, 3	PLUG—Phono power	.15
*URD-097	R10	RESISTOR—100,000 ohms 1/2 w., carbon	.13	*RJB-006		SOCKET—Octal tube socket	.20
*URD 105	R18	RESISTOR—220,000 ohms, 1/2 w., carbon	.13	*RJS 027		SOCKET—For dial light	.50
*URD 107	R2	RESISTOR—270,000 ohms, 1/2 w., carbon	.13	*RJS 031		SOCKET—Tube socket for 6SC7	.25
*URD-113	R3, 4, 7	RESISTOR—470,000 ohms, 1/2 w., carbon	.13	*RJS-034		SOCKET—Bazel pilot light socket	.45
*URD-129	R9	RESISTOR—2.2 meg. 1/2 w., carbon	.13	*RJS-049	J2, 3	SOCKET—Phono power	.25
*URD-133	R10, 17	RESISTOR—3.3 meg., 1/2 w., carbon	.13	*RJS-092		SOCKET—Miniature for 12BE6	.20
*URD-141	R12	RESISTOR—5.8 meg., 1/2 w., carbon	.13	*RJS-097	J1	SOCKET—Phono pickup socket	.20
*URF-051	R6	RESISTOR—1200 ohms, 1 w., carbon	.25	*RJC-007	P1	—Phono plug	.10
SPECIALIZED REPLACEMENT PARTS				*RLC-061	T4	COIL—Oscillator coil	1.85
*RAC-051		LID—For Model 131 (mahogany)	\$9.70	*RLL-026	L1	LOOP ASSEMBLY—Model 131	1.95
*RAC-858		LID—For Model 129	9.90	*RLL-028	L1	LOOP ASSEMBLY—Model 129	1.95
*RAL-001		BEZEL—For pilot light	.10	*RMM-034		HOOD—Hood for dial light	.35
*RAM-003		BASE—2 for Model 131 (mahogany)	5.25	*RMS-054		SUPPORT—Lid support	.90
*RAV-045		CABINET—For Model 131 (mahogany)	78.00	*RMS 118		SPRING—Dial cord tension spring	.10
*RAV-054		CABINET—Model 129	30.00	*RMU-036		SHAFT—Tuning shaft	.50
*RCC-040	C9	CAPACITOR—.01 mf., 600 v., paper	.30	*RMW-037		PULLEY—Dial cord idler pulley	.05
*RCC-074	C10	CAPACITOR—.003 mf., 600 v., paper	.25	*RRC 600	R11	VOLUME CONTROL—2 meg	1.25
*RCC-082	C18	CAPACITOR—.01 mf., 200 v., paper	.25	*RRW 005	R21	RESISTOR—70 ohms, wirewound, for 50-cycle operation of phono motor	1.15
*RCC-084	C19	CAPACITOR—.008 mf., 400 v., paper	.25	*RRW 008	R20	RESISTOR—10 ohms, 1 w., wirewound	.35
*RCC-085	C16	CAPACITOR—.005 mf., 200 v., paper	.25	*RSW-005	S1	SWITCH—Radio phono switch	1.35
				*RTF-001	T5	TRANSFORMER—Filament transformer for 6SC7	3.40
				*RTL-050	T1	TRANSFORMER—1st I-F transformer	3.50
				*RTL-051	T2	TRANSFORMER—2nd I-F transformer	3.25
				*RTO-038	T3	TRANSFORMER—Output transformer	3.05
				*RWL-009		CORD—Power cord	.70

* Used on previous production receivers

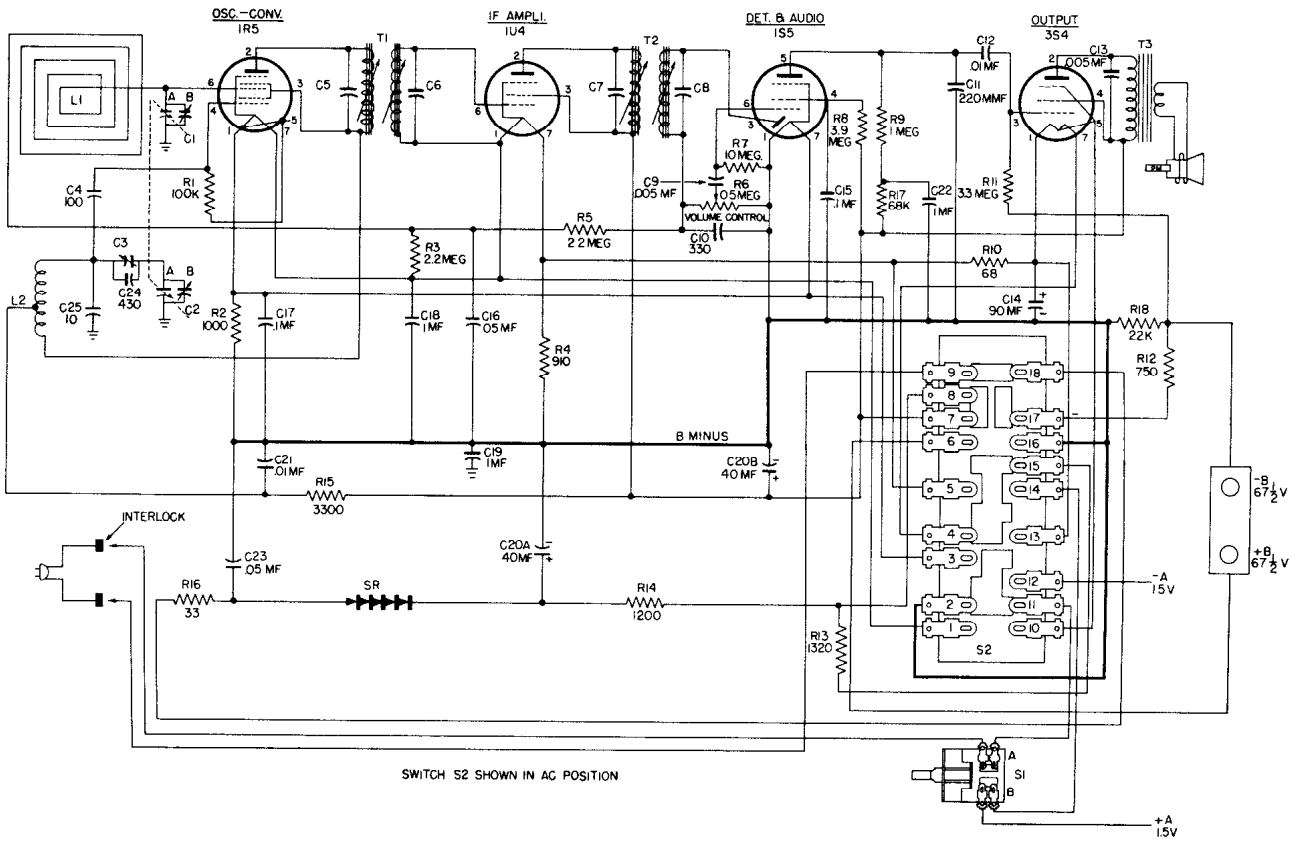
MODELS 135, 136



MODELS 135, 136 REPLACEMENT PARTS LIST

CAT. NO.	SYMBOL	DESCRIPTION	PRICE	CAT. NO.	SYMBOL	DESCRIPTION	PRICE	
UNIVERSAL REPLACEMENT PARTS				SPECIALIZED REPLACEMENT PARTS (CONT'D)				
UCC-028	C17, 18	CAPACITOR—.05 mf., 400 v., paper	\$0.30	RCW-3013	C10, 11, 12, 13	CAPACITOR—220 mmf., .002 mf., 220 mmf., 605 mf., four-section ceramic (see UCC-036, UCC-039, UCU-1036)	\$1.00	
UCC-036	C11	CAPACITOR—.002 mf., 600 v., paper (alternate replacement for RCW-3013)	.30	RDC-032		CORD—Bulk dial cord	2.50	
UCC-039	C13	CAPACITOR—.005 mf., 600 v., paper (alternate replacement for RCW-3013)	.30	RDK-020		KNOB—Volume or tuning control knob (Model 136)	.15	
UCC-045	C16	CAPACITOR—.05 mf., 600 v., paper	.30	RDK-031		KNOB—Volume or tuning control knob (Model 135)	.10	
UCC-631	C14	CAPACITOR—.02 mf., 600 v., paper	.25	RDP-045		POINTER—Dial scale pointer	.40	
UCU-020	C4	CAPACITOR—47 mmf., ceramic	.60	RHC-017		CLIP—Mounting clip for oscillator coil L2	.02	
UCU-1036	C10, 12	CAPACITOR—220 mmf., mica (alternate replacement for RCW-3013)	.30	RHG-018		GROMMET—Cushion mounting for tuning capacitor C2A, B	.05	
URD-487	LS	LOUDSPEAKER	3.75	RHH-004		SNAP FASTENER—Holds loop back to cabinet	.02	
URD-609	R10	RESISTOR—22 ohms, 1/2 w., carbon	.13	RHI-005		SPACER—Spacer bushing for mounting tuning capacitor C2A, B	.02	
URD-029	R8	RESISTOR—150 ohms, 1/2 w., carbon	.13	RHM-039		CLIP—Clip for pilot light	.10	
URD-081	R1	RESISTOR—22,000 ohms, 1/2 w., carbon	.13	RHM-063		SPEED NUT—Speed nut clip fastening speaker to cabinet bosses	.01	
URD-113	R6, 7, 11	RESISTOR—470,000 ohms, 1/2 w., carbon	.13	RJC-004		CONNECTOR—Antenna loop lead connecting clip	.02	
URD-129	R3	RESISTOR—2.2 meg., 1/2 w., carbon	.13	RJS-003		SOCKET—Tube socket	.20	
URD-137	R5	RESISTOR—4.7 meg., 1/2 w., carbon	.13	RJS-096		SOCKET—Pilot light socket and leads	.35	
URF-057	R9	RESISTOR—2200 ohms, 2 w., carbon	.25	RLC-090	L2	COIL—Oscillator coil	.90	
SPECIALIZED REPLACEMENT PARTS						RMM-093	SHIELD—Light shield for pilot light	.15
RAB-070	L1	LOOP AND BACK—Antenna loop and cabinet back	\$1.70	RMS-118		SPRING—Dial cord tension spring	.10	
RAC-059		COVER—Cover shield for bottom of chassis	.85	RMU-051		SHAFT—Tuning shaft	.60	
RAU-302		CABINET—Brown, plastic cabinet with dial scale (Model 135)	6.95	RRC-100	R4, S1	POTENTIOMETER—500,600 ohms, volume control and switch S1	1.65	
RAU-303		CABINET—Ivory, plastic cabinet with dial scale (Model 136)	8.95	RTL-092	T2	TRANSFORMER—First i-f transformer	2.10	
RAX-026		BACK PLATE—Dial scale back plate	1.10	RTL-093	T3	TRANSFORMER—Second i-f transformer	2.10	
RCE-050	C15A, B	CAPACITOR—50 mf., 150 v.; 50 mf., 150 v.; electrolytic	2.10	RTO-063	TI	TRANSFORMER—Audio output transformer	1.80	
RCT-036	C2A, B C1, C3	TUNING CAPACITOR—(2)-section gang with trimmers, C1 and C3	3.95	RWL-009		POWER CORD—A-C power cord and plug	.70	

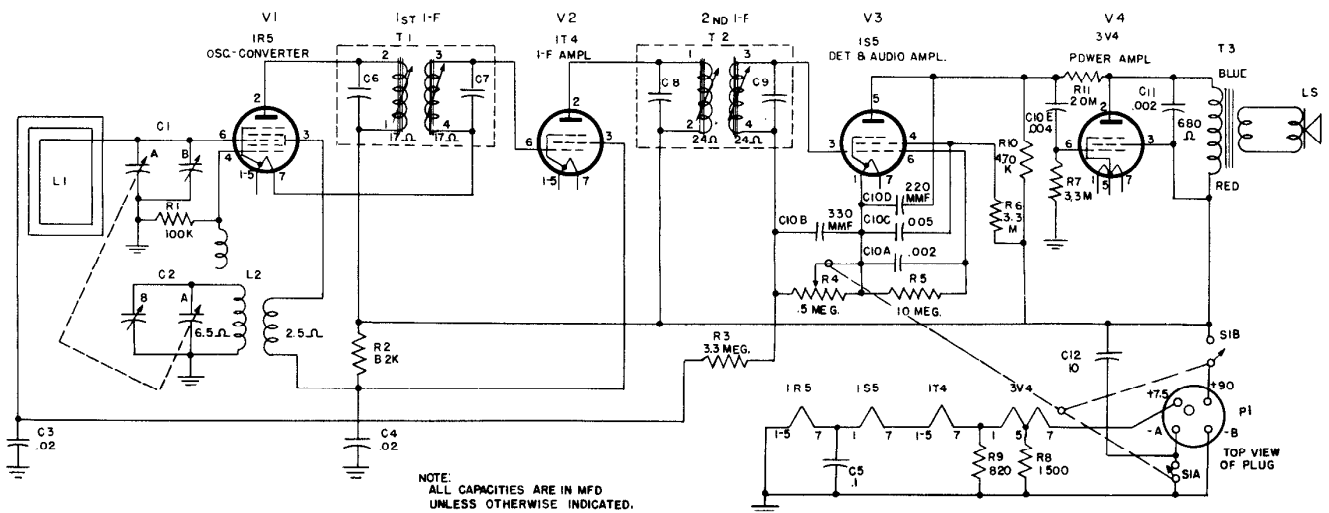
MODEL 140



MODEL 140—REPLACEMENT PARTS LIST

Cat. No.	Symbol	Description	Cat. No.	Symbol	Description
UNIVERSAL REPLACEMENT PARTS			SPECIALIZED REPLACEMENT PARTS (Cont.)		
UCC-028	C23	CAPACITOR—.05 mf., 400 v., paper	RHI-004		HINGE—For door to cord access
UCC-048	C19	CAPACITOR—.1 mf., 600 v., paper	RHS-010		SHIELD—Tube shield for 1S5 tube
UCG-543	C24	CAPACITOR—430 mmf., silver mica	RHY-006		HANDLE ASSEMBLY—With retainers and cover
UCU-528	C4	CAPACITOR—100 mmf., mica	RII-002		BARRIER—Fibre strip insulator between switch S2 and chassis
UCU-536	C11	CAPACITOR—220 mmf., mica	RII-003		SHIELD—Fibre strip insulator between switch S2 and escutcheon
UCU-540	C10	CAPACITOR—330 mmf., mica	RII-004		STRIP—Insulating strip (insulates right side of chassis from cabinet)
URD-1146	R10	RESISTOR—68 ohms, 1/2 w., carbon	RII-005		STRIP—Insulating strip (insulates left side of chassis from cabinet)
SPECIALIZED REPLACEMENT PARTS			RII-007		BARRIER—Fibre insulating barrier insulating rectifier from chassis
RAC-046		COVER—(Plastic) for cabinet door	RJJ-006		RECEPTACLE ASSEMBLY—Female interlock mounted on cabinet
RAD-027		DOOR—For cabinet (with loop connecting strips only)	RJP-017		PLUG ASSEMBLY—Male interlock plug, fits into female interlock receptacle
RAD-028		DOOR—Door access to power cord, (less hinge)	RJS-090		SOCKET—Tube socket for 1R5, 1U4 and 3S4
RAT-007		CABINET ASSEMBLY—Complete with handle assembly, handle retainers, interlock receptacle, and trim	RJS-091		SOCKET—Tube socket for 1S5 (rubber mounted)
RAX-016		DOOR ASSEMBLY—With loop L1	RLC-054	L2	COIL—Oscillator
RAX-017		DOOR ASSEMBLY—Door access to power cord, with hinge and tab	RLI-024	L1	LOOP—Antenna loop only
RCC-075	C12, 21	CAPACITOR—.01 mf., 400 v., paper	RMX-018		BATTERY CUP ASSEMBLY—"A" battery negative connector
RCC-076	C9, 13	CAPACITOR—.005 mf., paper	RMX-103		BRACKET ASSEMBLY—(With shield barrier) for mounting volume control and tuning capacitor
RCC-077	C15, 17, 18	CAPACITOR—.1 mf., paper	RMX-104		BATTERY CONNECTOR ASSEMBLY—Consists of one copper and two fibre strips ("A" positive)
RCC-078	C16	CAPACITOR—.05 mf., paper	ROP-012		LOUDSPEAKER
RCE-051	C20A, B	CAPACITOR—40 mf., electrolytic	RRC-055	R6	RESISTOR—5 meg., volume control
RCE-052	C14	CAPACITOR—90 mf., electrolytic	RRH-061	R15	RESISTOR—3300 ohms, 1/2 w., carbon
RCT-023	C1, 2	CAPACITOR—Tuning capacitor	RRH-081	R18	RESISTOR—22,000 ohms, 1/2 w., carbon
RCW-020	C25	CAPACITOR—10 mmf., ceramic	RRH-093	R17	RESISTOR—68,000 ohms, 1/2 w., carbon
RCY-030	C3	CAPACITOR—Oscillator padder	RRH-097	R1	RESISTOR—100,000 ohms, 1/2 w., carbon
RDE-026		ESCUTCHEON	RRH-121	R9	RESISTOR—1 meg., 1/2 w., carbon
RDE-098		KNOB ASSEMBLY—Door knob and lock spring	RRH-129	R3, 5	RESISTOR—2.2 meg., 1/2 w., carbon
RDE-099		KNOB ASSEMBLY—Knob with spring for volume or tuning control	RRH-133	R11	RESISTOR—3.3 meg., 1/2 w., carbon
REC-001		CONNECTOR—Contact strip for "B" battery	RRH-135	R8	RESISTOR—3.9 meg., 1/2 w., carbon
REX-004		RECTIFIER ASSEMBLY	RRH-145	R7	RESISTOR—10 meg., 1/2 w., carbon
RHC-008		CLIP—For mounting C20A, B, 40 mf. dual electrolytic capacitor	RRH-1046	R12	RESISTOR—750 ohms, 1/2 w., carbon
RHC-013		COTTER PIN—(Hair pin type) inserted in tube socket shield	RRH-1048	R4	RESISTOR—910 ohms, 1/2 w., carbon
RHF-002		FELT FOOT—On bottom of receiver	RRH-1049	R2	RESISTOR—1000 ohms, 1/2 w., carbon
RHG-014		GROMMET—Fibre grommet for power cord	RRM-001	R16	RESISTOR—33 ohms, 3 w., carbon
RHH-007		RETAINER—Plastic handle retainer (right)	RRW-019	R14	RESISTOR—1200 ohms, w.w., carbon
RHH-008		RETAINER—Plastic handle retainer (left)	RRW-020	R13	RESISTOR—1320 ohms, w.w., carbon
RHI-002		HINGE—Cabinet door top hinge	RSW-034	S2	SWITCH—AC-DC battery switch
RHI-003		HINGE—Cabinet door bottom hinge	RSW-035	S1A, B	SWITCH—Power switch
			RTL-052	T1, 3	TRANSFORMER—I-F transformer
			RTO-034	T3	TRANSFORMER—Output transformer
			RWL-015		CORD—Power cord

MODEL 141

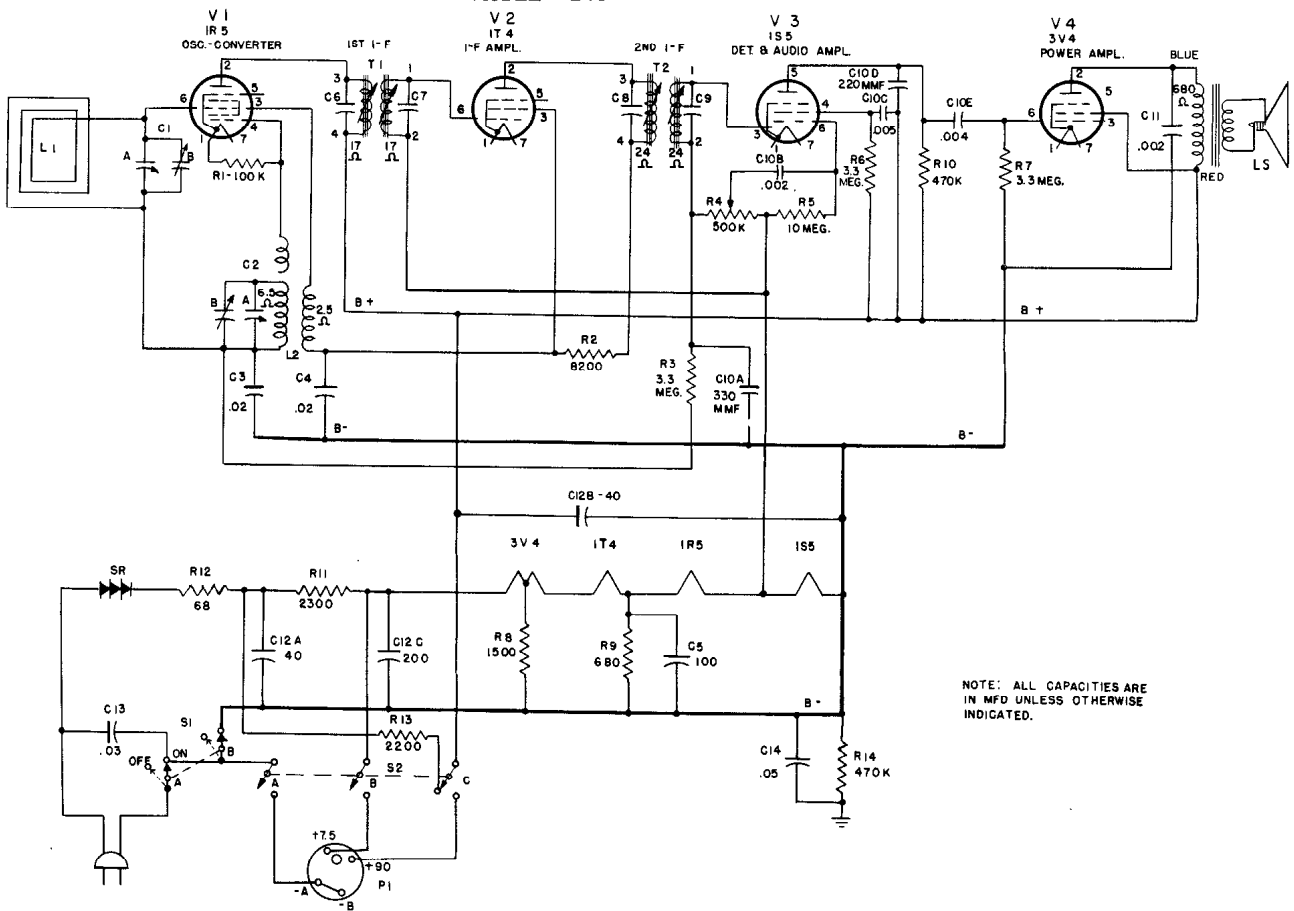


MODEL 141
REPLACEMENT PARTS LIST

Cat. No	Symbol	Description	Suggested Unit List Price	Cat. No.	Symbol	Description	Suggested Unit List Price
UNIVERSAL REPLACEMENT PARTS							
UCC-002	C11	CAPACITOR—.002 mfd, 200 v, paper	\$.25	RRC-107	R4, S1	VOLUME CONTROL—Volume control and switch	\$1.65
UCC-009	C3, 4	CAPACITOR—.02 mfd, 200 v, paper	.25	RRD-1015	R11*	RESISTOR—20 meg, 1/2 w, carbon	.13
UCC-028	C14	CAPACITOR—.05 mfd, 400 v, paper	.25	RRW-042	R11**	RESISTOR—2300 ohms, 10 w, w.w.	.85
UCC-042	C13	CAPACITOR—.03 mfd, 400 v, paper	.30	RSW-058	S2**	SWITCH Power plug switch	.85
UCC-048	C5	CAPACITOR—.1 mfd, 400 v, paper	.45	RTL-052	T1**	TRANSFORMER—I-F transformer	2.75
URD-045	R9**	RESISTOR 680 ohms, 1/2 w, carbon	.13	RTL-051	T2*	TRANSFORMER—I-F transformer	3.25
URD-047	R9*	RESISTOR 820 ohms, 1/2 w, carbon	.13	RTL-079	T1*, 2**	TRANSFORMER—I-F transformer	2.75
URD-053	R8	RESISTOR 1500 ohms, 1/2 w, carbon	.13	RTO-070	T3	TRANSFORMER—Output transformer	1.55
URD-071	R2	RESISTOR—8200 ohms, 1/2 w, carbon	.13	RWL-005**		POWER CORD	1.25
URD-097	R1	RESISTOR 100,000 ohms, 1/2 w, carbon	.13	SPECIALIZED REPLACEMENT PARTS			
URD-113	R10**, 14**	RESISTOR 470,000 ohms, 1/2 w, carbon	.13	RAB-096		BACK—Cabinet back	\$2.10
URD-133	R3, 6, 7	RESISTOR 3.3 meg, 1/2 w, carbon	.13	RAU-308		CABINET—Plastic cabinet	5.75
URD-145	R5	RESISTOR—10 meg, 1/2 w, carbon	.13	RCE-095**	C12A, B, C	CAPACITOR—Electrolytic capacitor 40 mf, 150 v; 40 mf, 250 v; 200 mf, 20 v	2.95
URE-021	R12**	RESISTOR—68 ohms, 1 w, carbon	.17	RCE-098*	C12	CAPACITOR—Electrolytic capacitor 10 mf	.95
URE-057	R13**	RESISTOR—2200 ohms, 1 w, carbon	.17	RCE 099	C5	CAPACITOR—Electrolytic capacitor, 100 mfd	1.00
UOP-457		SPEAKER—PA speaker, 4 inches	4.25	RCT-036	C1, 2	CAPACITOR—Tuning capacitor	3.95
RHJ-005**		SPACER—For tuning capacitor	.02	RCW-3015	C10A, B, 10C, D, E	CAPACITOR—Ceramic combination 220 mmf, .002 mf, .005, 220 mmf, .004 mf	1.10
RHM-061		CLIP—Speaker clip	.02	RDC-032		DIAL CORD	2.50/25 yd
RHY-010		HANDLE—Handle for cabinet	1.00	RDK 136		KNOB	.15
RJC-016		TERMINAL—Speed nut	.05	RDP 047		POINTER Dial pointer	.10
RJS-024**		MOUNTING PLATE—For electrolytic capacitor	.10	REX-005	SR	RECTIFIER Selenium rectifier	2.50
RJS-100		SOCKET—Tube socket for IR5	.20	RHE-006		BUTTON Plug button	.10
RJS-124		SOCKET Tube socket for IS5 & 3V4	.20	RHC-015		CLIP—Oscillator coil clip	.02
RJS-125		SOCKET Tube socket for 1T4 tube	.20	RHC-016		COTTER PIN—For drive axle	.01
RHC-015		CLIP—Oscillator coil clip	.02	RHC-020		COTTER PIN—Cotter pin for handle	.01
RJC-016		TERMINAL—Speed nut	.05	RHE-009		EYELET—Eyelet for cabinet	.03
RLC-089	L2	COIL—Oscillator coil	.90	RHG-006**		GROMMET—For power cord	.05
RLL-035	L1	LOOP—Loop antenna	1.00	RHG-018**		GROMMET—For tuning capacitor	.05
RMC-040		CATCH—Spring catch	.65	RHI-009		HINGE—Hinge for cabinet	.25
RMS-118		SPRING—Dial spring	.10				
RMU-049		SHAFT—Tuning shaft	.30				

*For Model 141 only.
**For Model 143 only.

MODEL 143



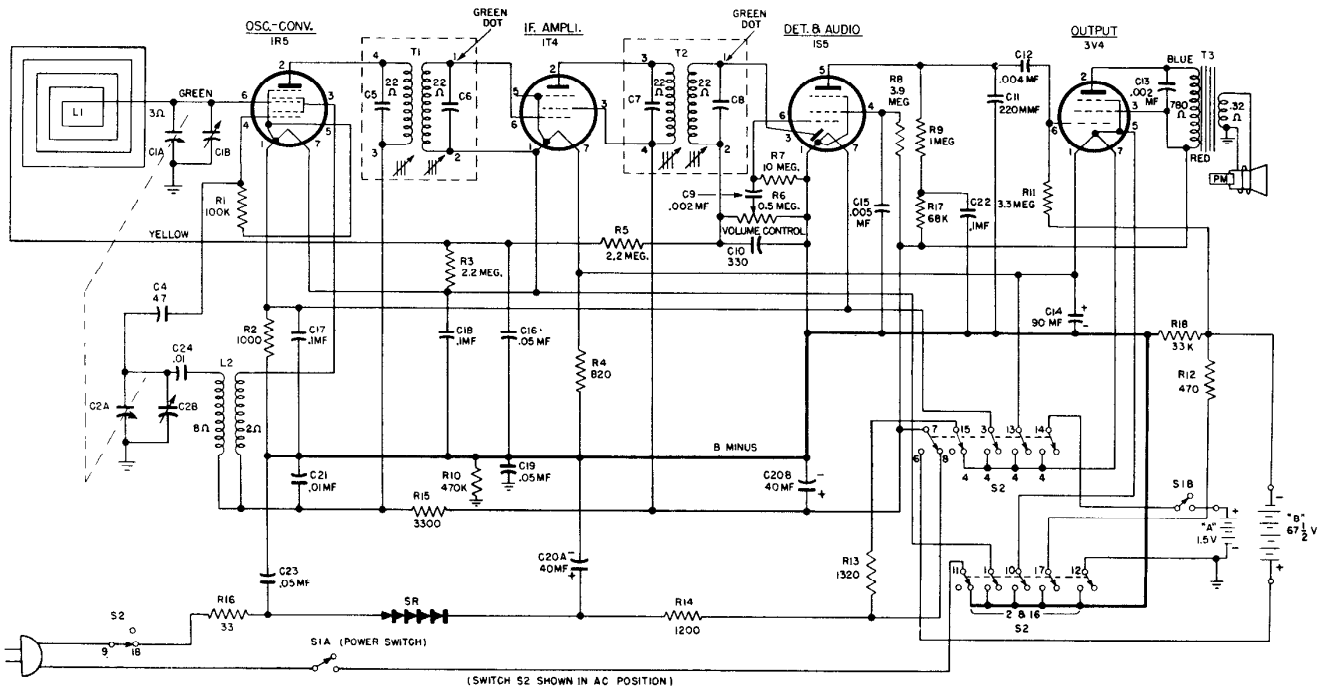
NOTE: ALL CAPACITIES ARE IN MFD UNLESS OTHERWISE INDICATED.

REPLACEMENT PARTS LIST MODEL 143

Cat. No.	Symbol	Description	Suggested Unit List Price	Cat. No.	Symbol	Description	Suggested Unit List Price
UNIVERSAL REPLACEMENT PARTS							
UCC-002	C11	CAPACITOR— .002 mf, 200 v, paper	\$0.25	RRC-107	R4, S1	VOLUME CONTROL—Volume control and switch	\$1.65
UCC-009	C3, 4	CAPACITOR—.02 mfd, 200 v, paper	.25	RRD-1015	R11*	RESISTOR—20 meg, 1/2 w, carbon	.13
UCC-028	C14	CAPACITOR—.05 mfd, 400 v, paper	.25	RRW-042	R11**	RESISTOR—2300 ohms, 10 w, w.w.	.85
UCC-042	C13	CAPACITOR—.03 mfd, 400 v, paper	.30	RSW-058	S2**	SWITCH—Power plug switch	.85
UCC-048	C5	CAPACITOR—1 mfd, 400 v, paper	.45	RTL-052	T1**	TRANSFORMER—I-F transformer	2.75
URD-045	R9**	RESISTOR—680 ohms, 1/2 w, carbon	.13	RTL-051	T2*	TRANSFORMER—I-F transformer	3.25
URD-047	R9*	RESISTOR—820 ohms, 1/2 w, carbon	.13	RTL-079	T1*, 2**	TRANSFORMER— I-F transformer	2.75
URD-053	R8	RESISTOR—1500 ohms, 1/2 w, carbon	.13	RTO-070	T3	TRANSFORMER—Output transformer	1.55
URD-071	R2	RESISTOR—8200 ohms, 1/2 w, carbon	.13	RWL-005**		POWER CORD	1.25
URD-097	R1	RESISTOR—100,000 ohms, 1/2 w, carbon	.13	SPECIALIZED REPLACEMENT PARTS			
URD-113	R10**, 14**	RESISTOR—470,000 ohms, 1/2 w, carbon	.13	RAB-096		BACK—Cabinet back	\$2.10
URD-133	R3, 6, 7	RESISTOR—3.3 meg, 1/2 w, carbon	.13	RAU-308		CABINET—Plastic cabinet	5.75
URD-145	R5	RESISTOR—10 meg, 1/2 w, carbon	.13	RCE-095**	C12A, B, C	CAPACITOR—Electrolytic capacitor 40 mf, 150 v; 40 mf, 250 v; 200 mf, 20 v	2.95
URE-021	R12**	RESISTOR—68 ohms, 1 w, carbon	.17	RCE-098*	C12	CAPACITOR—Electrolytic capacitor 10 mf	.95
URE-057	R13**	RESISTOR—2200 ohms, 1 w, carbon	.17	RCE-099	C5	CAPACITOR—Electrolytic capacitor, 100 mfd	1.00
UOP-457		SPEAKER—PA speaker, 4 inches	4.25	RCT-036	C1, 2	CAPACITOR—Tuning capacitor	3.95
RHJ-005**		SPACER—For tuning capacitor	.02	RCW-3015	C10A, B, 10C, D, E	CAPACITOR—Ceramic combination 220 mmf, .002 mf, .005, 220 mmf, .004 mf	1.10
RHM-061		CLIP—Speaker clip	.02	RDC-032		DIAL CORD	2.50/25 yd
RHY-010		HANDLE—Handle for cabinet	1.00	RDK-136		KNOB	.15
RJC-016		TERMINAL—Speed nut	.05	RDP-047		POINTER—Dial pointer	.10
RJS-024**		MOUNTING PLATE—For electrolytic capacitor	.10	REX-005	SR	RECTIFIER—Selenium rectifier	2.50
RJS-100		SOCKET—Tube socket for IR5	.20	RHB-006		BUTTON—Plug button	.10
RJS-124		SOCKET—Tube socket for IS5 & 3V4	.20	RHC-015		CLIP—Oscillator coil clip	.02
RJS-125		SOCKET—Tube socket for 1T4 tube	.20	RHC-016		COTTER PIN—For drive axle	.01
RHC-015		CLIP—Oscillator coil clip	.02	RHC-020		COTTER PIN—Cotter pin for handle	.01
RJC-016		TERMINAL—Speed nut	.05	RHE-009		EYELET—Eyelet for cabinet	.03
RLC-089	L2	COIL—Oscillator coil	.90	RHG-006**		GROMMET—For power cord	.05
RLL-035	L1	LOOP—Loop antenna	1.00	RHG-018**		GROMMET—For tuning capacitor	.05
RMC-040		CATCH—Spring catch	.65	RHI-009		HINGE—Hinge for cabinet	.25
RMS-118		SPRING—Dial spring	.10				
RMU-049		SHAFT—Tuning shaft	.30				

*For Model 141 only.
**For Model 143 only.

MODEL 145



MODEL 145—REPLACEMENT PARTS LIST

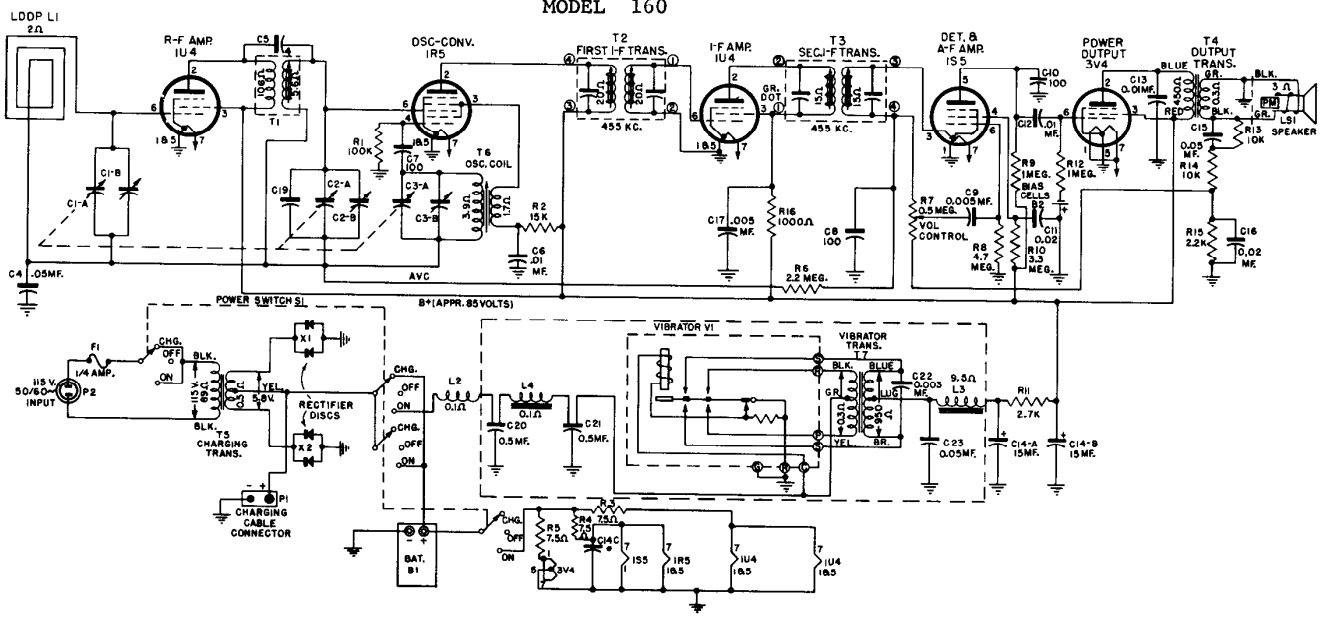
Cat. No.	Symbol	Description	Suggested Unit List Price	Cat. No.	Symbol	Description	Suggested Unit List Price
UNIVERSAL REPLACEMENT PARTS				SPECIALIZED REPLACEMENT PARTS (Cont.)			
UCC-028	C23	CAPACITOR—.05 mfd., 400 v.	\$0.25	RDK-149		KNOB and Clip	\$0.15
UCU-020	C4	CAPACITOR—47 mmf. =20%, mica	.25	RDP-044		POINTER—Dial pointer assembly	.20
UOP-489		SPEAKER	4.75	RDS-080		SCALE—Dial scale	.30
URD-041	R12	RESISTOR—470 ohms, ½ w., carbon	.13	REC-001		CONNECTOR—For "B" battery	.40
URD-047	R4	RESISTOR—820 ohms, ½ w., carbon	.13	REC-004		CONTACT—For "A" battery	.10
URD-049	R2	RESISTOR—1000 ohms, ½ w., carbon	.13	REX-005	SR	RECTIFIER—Selenium	2.50
URD-061	R15	RESISTOR—3300 ohms, ½ w., carbon	.13	RHI-007		HINGE—Front cover hinge	.25
URD-081	R18	RESISTOR—33,000 ohms, ½ w., carbon	.13	RHI-008		HINGE—Back cover hinge	.20
URD-093	R17	RESISTOR—68,000 ohms, ½ w., carbon	.13	RHI-009		SPACER—For switch S2 (four req.)	—
URD-097	RI	RESISTOR—100,000 ohms, ½ w., carbon	.13	RHM-055		SPEED NUT—½"	.01
URD-113	R10	RESISTOR—470,000 ohms, ½ w., carbon	.13	RHR-002		RIVET—.121 dia. x ½" long	.01
URD-121	R9	RESISTOR—1 meg., ½ w., carbon	.13	RHR-006		RIVET—.121" dia. x ⅜" long for mounting RDE-035	.01
URD-129	R3, 5	RESISTOR—2.2 meg., ½ w., carbon	.13	RHS-015		SCREW—Self-tapping screw for mounting loop assembly door	.01
URD-133	R11	RESISTOR—3.3 meg., ½ w., carbon	.13	RHS-022		SCREW—Self-tapping for mounting the brass latch plate	.03
URD-135	R8	RESISTOR—3.9 meg., ½ w., carbon	.13	RHS-023		SCREW—Self-tapping for mounting hinges	.01
URD-145	R7	RESISTOR—10.0 meg., ½ w., carbon	.13	RHY-008		HANDLE	1.10
SPECIALIZED REPLACEMENT PARTS				RHI-019		INSULATOR—For "A" battery contact	—
RAB-082		CABINET BACK COVER	\$2.30	RII-020		BARRIER—Shield around "A" battery	—
RAC-055		CABINET FRONT COVER ASSEMBLY—Includes two hinges (RHI-007) and four screws (RHS-023)	2.25	RJS-100		SOCKET—For 1R5, 1S5, and 3V4 tube	.20
RAC-056		CABINET BODY ASSEMBLY—Includes back cover hinges (RHI-008) and four screws (RHS-023)	3.90	RJS-125		SOCKET—For 1T4 tube	.20
RAC-057		LOOP COVER	—	RLC-080	L2	COIL—Oscillator coil	.90
RCC-075	C21	CAPACITOR—.01 mfd., 400 v., paper	.35	RLL-037	L1	LOOP	—
RCC-077	C17, 18, 22	CAPACITOR—.1 mfd., 400 v., paper	.50	RMC-028		KNOB—Catch knob	.10
RCC-078	C16, 19	CAPACITOR—.05 mfd., 400 v., paper	.40	RMC-029		LATCH PLATE—On front cover, fastened by screws RHS-022	.30
RCE-051	C20A, B	CAPACITOR—40-40 mfd., 150 v., electrolytic	2.05	RMC-031		CATCH—Front cover catch	.55
RCE-052	C14	CAPACITOR—90 mfd., 10 v., electrolytic	1.25	RMC-032		CATCH COVER—Front cover, fastened with screws RHS-022	.40
RCT-035	C1A, B, 2A, B	CAPACITOR—Tuning	4.60	RMC-033		LATCH PLATE—On back cover, fastened with screws RHS-022	.25
RCW-3018	C13	CAPACITOR—.002 mfd., ceramic	.60	RMC-036		LATCH—Back cover latch	—
RCW-3015	C9, 10, 11, 12, 15	CAPACITOR—Ceramic	1.10	RMC-037		NAMEPLATE AND CATCH	.10
RDC-032		CORD—Dial drive cord, 25 yd.	2.50/25 yd.	RMM-085		CLIP—For "A" battery	—
RDE-034		ESCUTCHEON	8.40	RMS-130		BARRIER	.10
RDE-035		ESCUTCHEON—Brass for fastening handle to the cabinet	.60	RMW-042		SPRING—Dial cord tension spring	.15
				RRC-094	R6, S1	PULLEY—½-in. pulley for dial cord	.05
				RRW-030	R16	VOLUME CONTROL AND SWITCH	1.50
				RRW-031	R13	RESISTOR—33 ohms, 3 w., w.w.	.25
				RRW-032	R14	RESISTOR—1320 ohms, w.w.	.80
				RSW-061	S2	RESISTOR—1200 ohms, w.w.	.80
				RTL-052	T1, T2	SWITCH—AC-DC Batt. switch	2.55
				RTO-057	T3	TRANSFORMER—1st and 2nd I-F transformer	2.75
				RWL-009		TRANSFORMER—Output transformer	1.80
						CORD—Power cord	.70

MODEL 150—REPLACEMENT PARTS LIST

Cat. No.	Symbol	Description	Suggested Unit List Price	Cat. No.	Symbol	Description	Suggested Unit List Price
UNIVERSAL REPLACEMENT PARTS				SPECIALIZED REPLACEMENT PARTS (CONT'D)			
UCC-623	C13	CAPACITOR .003 mf., 600 v., paper	\$0 25	RCW-1074	C5	CAPACITOR —100 mmf., ceramic	\$0 60
UCC-625	C12*	CAPACITOR .005 mf., 600 v., paper	.25	RCW-3013	C11A,B,C,D	CAPACITOR —002-220-220-.005, ce-ramic	1.00
UCC-631	C7	CAPACITOR .02 mf., 600 v.	.30	RDC-032		DIAL CORD Roll of 25 yards	2.50
UCC-633	C14	CAPACITOR .03 mf., 600 v., paper	.35	RDK-136		KNOB —Maroon knob	.15
UCC-635	C3, 8, 9	CAPACITOR .05 mf., 600 v., paper	.40	RDK-148		KNOB —Mahogany knob	.15
UCE-067	C10	CAPACITOR 100 mf., 6 v., electrolytic	1.55	RDP-040		POINTER —Dial pointer	.30
UOP-488	LS1	LOUDSPEAKER 4-in. permanent magnet	4.75	RDS-072		SCALE —Dial scale	.35
URD-009	R1	RESISTOR 22 ohms, ½ w., carbon	.13	RER-001	SR	SELENIUM RECTIFIER	2.85
URD-041	R6	RESISTOR 470 ohms, ½ w., carbon	.13	RHB-004		BUTTON —Monogram button	.65
URD-053	R4, 5	RESISTOR 1500 ohms, ½ w., carbon	.13	RHC-015		CLIP —Clip for oscillator coil	.02
URD-067	R11	RESISTOR 5600 ohms, ½ w., carbon	.13	RHC-016		HAIRPIN COTER	.01
URD-073	R10	RESISTOR 10,000 ohms, ½ w., carbon	.13	RHG-018		GROMMET Grommet for tuning condenser	.05
URD-085	R8	RESISTOR —33,000 ohms, ½ w., carbon	.13	RHI-005		HINGE —Hinge for back	.15
URD-097	R9	RESISTOR —100,000 ohms, ½ w., carbon	.13	RHI-005		SPACER —For tuning condenser	.02
URD-113	R7, 15	RESISTOR —470,000 ohms, ½ w., carbon	.13	RHM-052		CLIP —For loop antenna	.02
URD-129	R12, 16, 18	RESISTOR 2.2 meg., ½ w., carbon	.13	RHM-053		BOSS CAP FOR HANDLE	.45
URD-133	R14, 19	RESISTOR 3.3 meg., ½ w., carbon	.13	RHR-005		RIVET —Tubular rivet for door hinge	.01
URD-137	R17	RESISTOR 4.7 megs., ½ w., carbon	.13	RHS-010		SHIELD —Tube shield	.20
URE-059	R2	RESISTOR 2700 ohms, 1 w., carbon	.17	RHX-013		HANDLE —Handle assembly	.80
				RJP-025		PLUG —Battery plug	.15
				RJS-024		MOUNTING PLATE For electrolytic capacitor	.10
				RJS-068		SOCKET —Tube socket	.20
				RJS-100		COIL —Oscillator coil	1.15
				RLC-068	L2	LOOP —Loop antenna	1.30
				RLI-029	L1	CLIP —"C" clip	.02
				RMS-039		SPRING —Dial spring	.10
				RMS-118		SPRING CATCH	.10
				RMS-154		PULLEY —Idler pulley	.10
				RMW-009		VOLUME CONTROL Volume control and switch	1.65
				RRC-083	R13, S1, AB	RESISTOR —2300 ohms, 10 w.	1.00
RAB-076		CABINET BACK Plastic cabinet back (maroon)	\$2 95	RRW-027	R3	SWITCH —Power switch	.47
RAB-080		CABINET BACK —Plastic (mahogany and gray)	3.40	RSW-058	S2A, B	TRANSFORMER 1st I-F transformer	2.75
RAS-001		STRAP Battery strap	.30	RTL-052	T1	TRANSFORMER 2nd I-F transformer	2.75
RAU-038		CABINET —Plastic cabinet (maroon)	5.95	RTL-079	T2	TRANSFORMER Output transformer	2.25
RAU-041		CABINET —Plastic cabinet (mahogany)	6.95	RTO-050	T3	CORD —Power cord	1.25
RAU-042		CABINET Plastic cabinet (gray)	6.95	RWL-005		CONNECTING PIN FOR LOOP ANTENNA	.05
RCE-069	C2A, B, C	CAPACITOR —200 mf., 25 v., electrolytic; 50-50 mfd., 150 v., electrolytic	2 25	SJS-068			
RCT-032	C1	CAPACITOR —Tuning capacitor	3.95				
RCW-177	C21	CAPACITOR —330 mmf., ceramic	.60				
RCW-1073	C6	CAPACITOR —47 mmf., ceramic	.60				

*Some receivers have UCC-635 instead.

MODEL 160

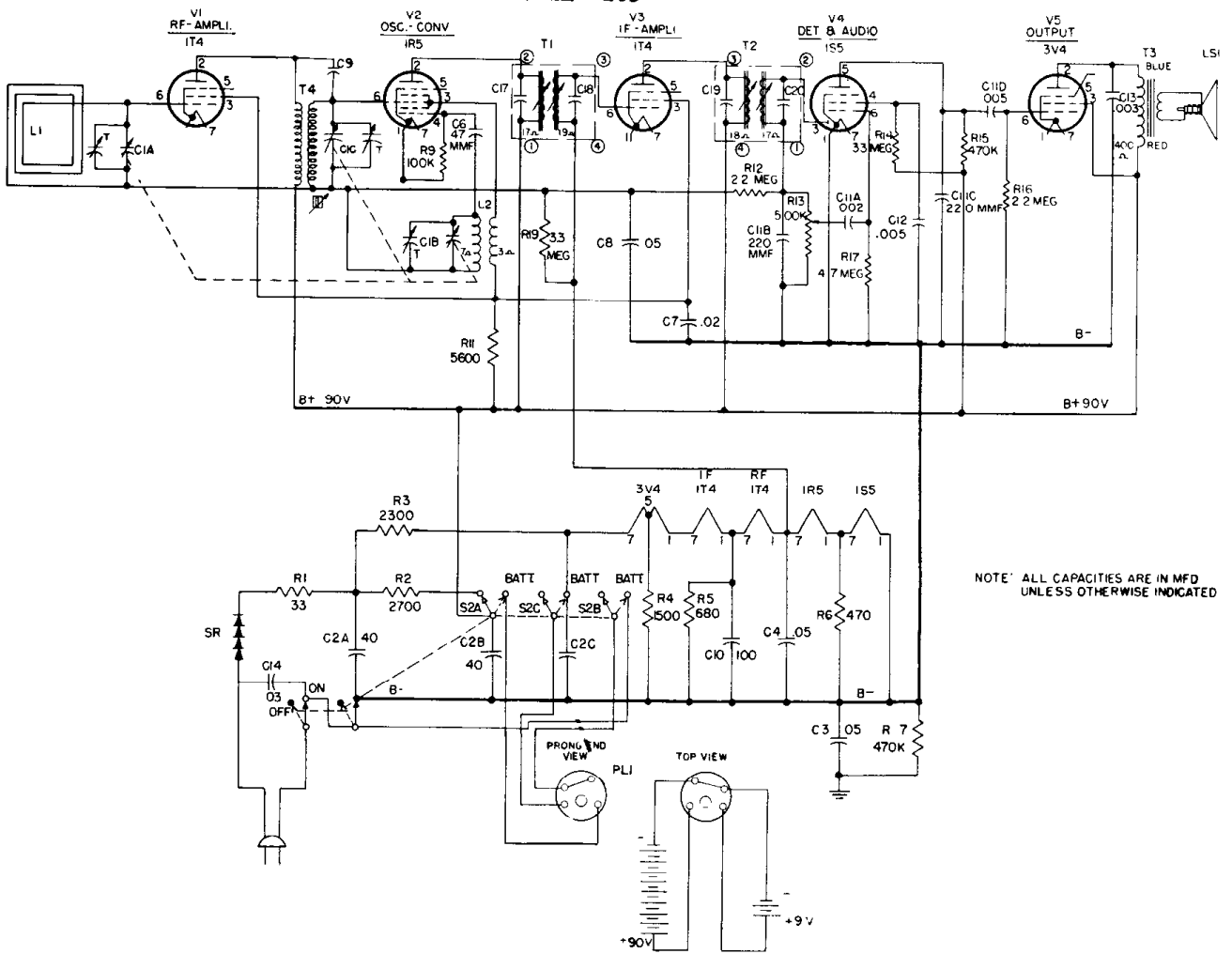


MODEL 160—REPLACEMENT PARTS LIST

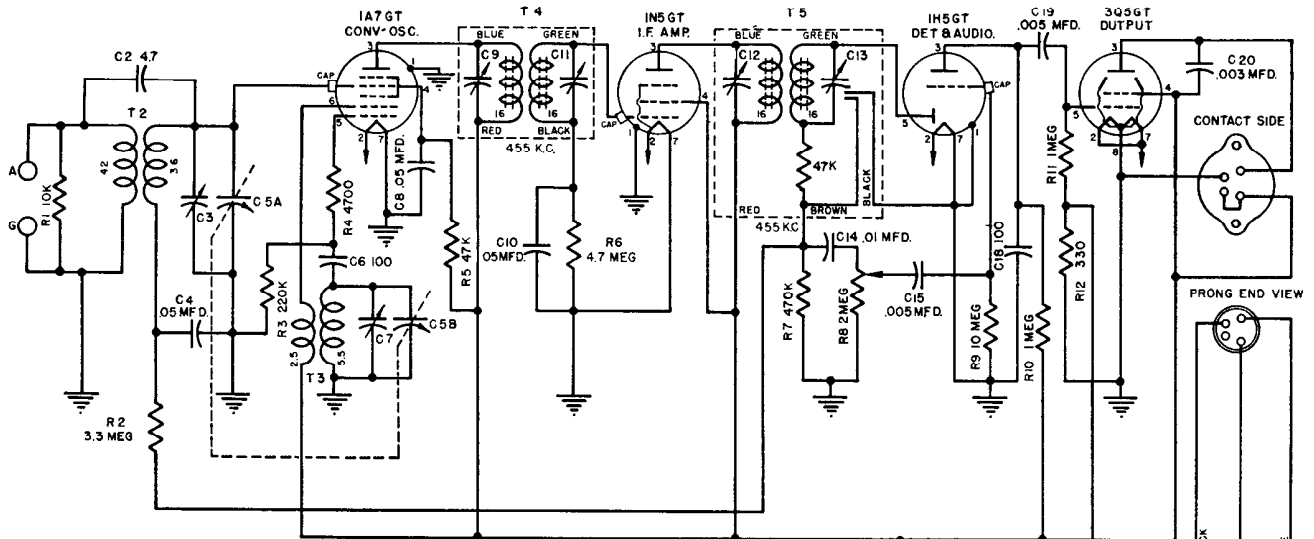
CAT. NO.	SYMBOL	DESCRIPTION	SUGGESTED UNIT LIST PRICE	CAT. NO.	SYMBOL	DESCRIPTION	SUGGESTED UNIT LIST PRICE
UNIVERSAL REPLACEMENT PARTS				SPECIALIZED REPLACEMENT PARTS			
UCC-625	C9, 17	CAPACITOR—.005 mf., 400 v., paper	\$0.25	RHG-019		GROMMET—For battery box	\$0.05
UCC-630	C6, 12, 13	CAPACITOR—.01 mf., 600 v., paper	.30	RHI-006		HINGE—Door hinge	.25
UCC-631	C11, 16	CAPACITOR—.02 mf., 400 v., paper	.30	RHQ-002		VENT TUBE—For battery	.20
UCC-635	C4, 15, 23	CAPACITOR—.05 mf., 400 v., paper	.40	RHS-010		TUBE SHIELD—For IS5 tube	.20
UCU-028	C7, 8, 10	CAPACITOR—100 mmf., mica	.25	RHS-018		SHIELD—Spiral shield	.05
UOP-611		SPEAKER—PM speaker	5.50	RHY-007		HANDLE—Cabinet handle	1.00
URD-049	R16	RESISTOR—1000 ohms, ½ w., carbon	.13	RJP-014		PLUG—Battery plug	.35
URD-057	R15	RESISTOR—2200 ohms, ½ w., carbon	.13	RJP-026		PLUG BUTTON	.10
URD-073	R13, 14	RESISTOR—10,000 ohms, ½ w., carbon	.13	RJS-091		SOCKET—Tube socket shock mounting	.45
URD-077	R2	RESISTOR—15,000 ohms, ½ w., carbon	.13	RJS-105		SOCKET—Tube socket	.20
URD-097	R1	RESISTOR—100,000 ohms, ½ w., carbon	.13	RJS-019		SOCKET—Vibrator socket	.20
URD-121	R9, 12	RESISTOR—1 meg., ½ w., carbon	.13	RJW-002		HOLDER—Fuse holder	.90
URD-129	R6	RESISTOR—2.2 meg., ½ w., carbon	.13	RLB-028		TRANSFORMER—R-F transformer	3.50
URD-133	R10	RESISTOR—3.3 meg., ½ w., carbon	.13	RLC-078		TRANSFORMER—Oscillator transformer	1.80
URD-137	R8	RESISTOR—4.7 meg., ½ w., carbon	.13	RLF-014	L3	CHOKE—B + filter choke	1.00
URE-059	R11	RESISTOR—2,700 ohms, ½ w., carbon	.17	RLF-015	L4	CHOKE—A + filter choke	1.15
				RLI-026	L2	CHOKE—Hash filter choke	.55
				RLL-032	L1	LOOP—Antenna loop	1.10
				RMA-006		ARM—Switch arm	.20
				RMC-022		CATCH—Catch for cabinet door	.10
				RMC-023		CATCH—Battery box catch	.05
				RMC-025		CLAMP—Clamp for bias cell	.30
				RML-019		LINK—Link for lever	.20
				RML-020		LEVER—Lever for switch control shaft	.15
				RML-021		LEVER—Lever for volume control	.25
				RMM-082		RUBBER CUSHION—For battery box cover	.05
				RMP-017		PIN—Handle retaining pin	.02
				RMS-120		SPRING—Drive cord spring	.15
				RMS-156		SPRING—For handle	.05
				RMU-044		SHAFT—Shaft for switch	.10
				RMU-045		SHAFT—Tuning shaft	.20
				RMW-027		PULLEY	.05
				RMW-077		WINDLASS	.05
				RRC-092	R7	VOLUME CONTROL—5 meg.	1.25
				RRW-018	R3, 4, 5	RESISTOR—7.5 ohms, wirewound	.13
				RSW-060	S1	SWITCH—Power switch	1.50
				RTL-052	T2	TRANSFORMER—1st I-F transformer	2.75
				RTL-054	T3	TRANSFORMER—2nd I-F transformer	2.40
				RTC-003	T5	TRANSFORMER—Charging transformer	3.80
				RTO-055	T4	TRANSFORMER—Output transformer	2.85
				RTV-003	T7	TRANSFORMER—Vibrator transformer	5.80
				RWL-009		POWER CORD	.70
SPECIALIZED REPLACEMENT PARTS							
RAC-053		COVER—Battery box cover	\$1.15				
RAD-033		DOOR—Cabinet door	4.00				
RAG-017		GRILLE—Loudspeaker grille	4.50				
RAU-040		CABINET—Maroon	7.50				
RBC-001	B2	CELL—Bias cell	1.65				
RCC-068	C20, 21	CAPACITOR—.05 mf., 120 v., paper	.75				
RCC-090	C22	CAPACITOR—.003 mf., 1500 v., paper	.35				
RCE-007	C14A, B, C	CAPACITOR—Electrolytic	2.55				
RCT-034		CAPACITOR—Tuning capacitor	6.87				
RCW-1060	C19	CAPACITOR—10 mmf., ceramic	.60				
RCW-1075	C5	CAPACITOR—4 mmf., ceramic	.60				
RDC-032		DRIVE CORD—25 yards	2.50				
RDK-142		KNOB—Tuning knob	.45				
RDK-143		KNOB—Knob volume and switch	.50				
RDP-041		ASSEMBLY—Slider and pointer assembly					
RDS-075		SCALE—Dial scale	1.30				
REF-001	F1	FUSE—½ ampere	.15				
REV-001	V1	VIBRATOR—Vibrator unit	8.75				
REX-001		RECTIFIER—Disc rectifier	2.15				
RHC-013		HAIRPIN COTTER	.01				
RHE-006		EYELET—For handle	.03				
RHG-018		GROMMET—Rubber grommet	.05				

Notice: Prices are subject to change without notice.

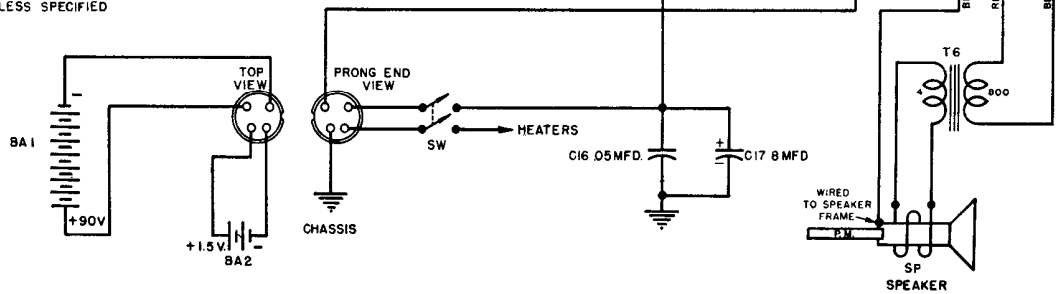
MODEL 165



MODEL 180



CAPACITY VALUES IN MMF UNLESS SPECIFIED
 RESISTANCE VALUES IN OHMS.
 *K= 1000, i.e., 22K=22,000



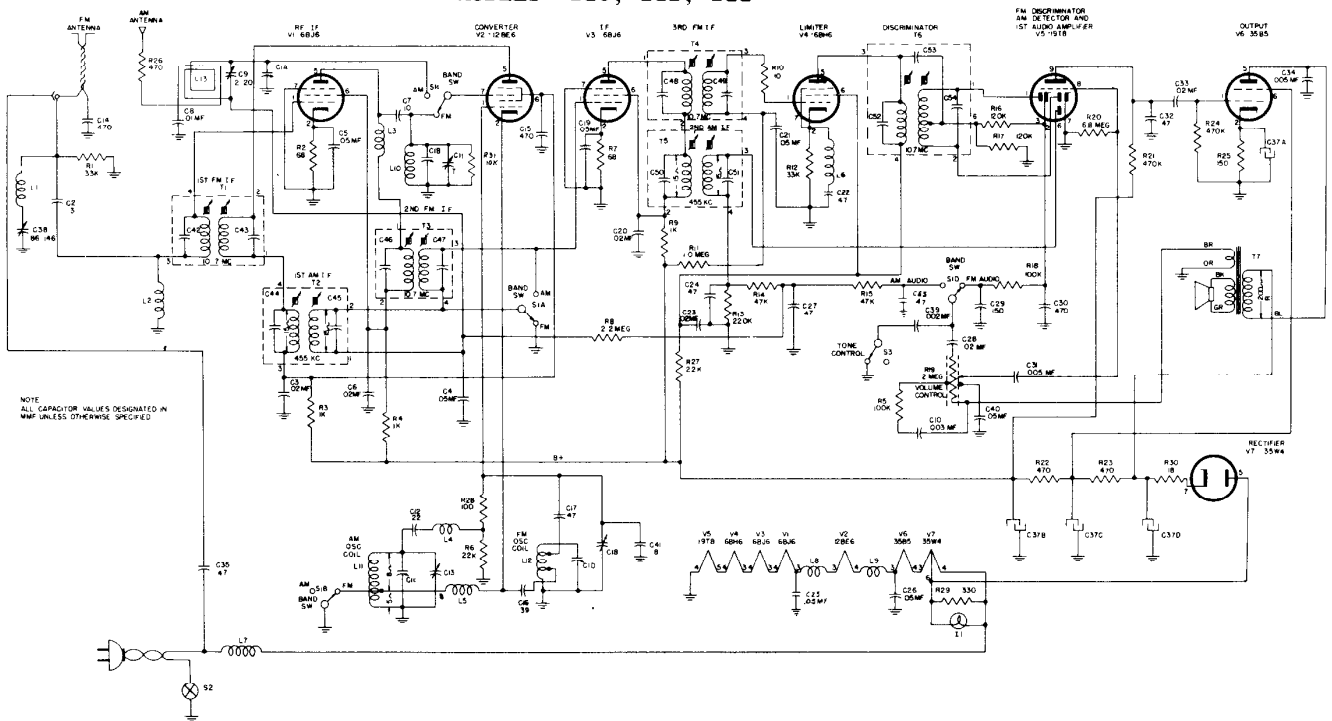
MODEL 180

PART NO.	SYMBOL	DESCRIPTION	PART NO.	SYMBOL	DESCRIPTION
UNIVERSAL REPLACEMENT PARTS			SPECIALIZED REPLACEMENT PARTS		
UCC-011	C4, 8, 10	CAPACITOR—.05 mfd., 200 v., paper	RAB-5001		BACK—Cabinet back
UCC-028	C16	CAPACITOR—.05 mfd., 400 v., paper	RAV-5001		CABINET—Model 180 cabinet
UCC-037	C20	CAPACITOR—.003 mfd., 600 v., paper	RCE-5001	C17	CAPACITOR—8 mfd., 150 v., electrolytic
UCC-039	C15, 19	CAPACITOR—.005 mfd., 600 v., paper	RCT-5001	C5A, 5B	CAPACITOR—Tuning condenser
UCC-040	C14	CAPACITOR—.01 mfd., 600 v., paper	RCU-5002	C2	CAPACITOR—4.7 mmf., mica
UCU-1028	C6, 18	CAPACITOR—100 mmf., mica	RDC-5001		CORD—Drive cord
UOP-629	SP	SPEAKER—6½ in. permanent magnet	RDE-5001		ESCUTCHEON—Dial escutcheon assembly
UOX-001		CONE—Replacement speaker cone	RDF-5001		WASHER—Felt washer for knobs
URD-037	R12	RESISTOR—330 ohm, ½ w., carbon	RDK-5001		KNOB—Volume or tuning knob
URD-065	R4	RESISTOR—4700 ohm, ½ w., carbon	RDM-5001		FLAG—Off-On indicator flag
URD-073	R1	RESISTOR—10,000 ohm, ½ w., carbon	RDP-5001		POINTER—Plastic dial pointer
URD-089	R5	RESISTOR—47,000 ohm, ½ w., carbon	RDW-5001		GLASS—Dial glass
URD-105	R3	RESISTOR—220,000 ohm, ½ w., carbon	RDX-5001		BRACKET—Dial bracket and pulley assembly
URD-113	R7	RESISTOR—470,000 ohm, ½ w., carbon	RHC-5001		CLIP—Off-On indicator retaining clip
URD-121	R10, 11	RESISTOR—1 meg., ½ w., carbon	RJS-5001		SOCKET—Octal tube socket
URD-133	R2	RESISTOR—3.3 meg., ½ w., carbon	RJS-5002		SOCKET—Speaker socket
URD-137	R6	RESISTOR—4.7 meg., ½ w., carbon	RLA-5001	T2	COIL—Antenna coil
URD-145	R9	RESISTOR—10 meg., ½ w., carbon	RLC-5001	T3	COIL—Oscillator coil
			RMB-5001		BEARING—Dial drive shaft supporting bearing
			RMC-5001		CAM—Off-On indicator cam
			RMU-5001		SHAFT—Dial drive shaft
			RRC-5001	R8, S3	VOLUME CONTROL—2 meg. vol. control and switch
			RTL-5001	T5	TRANSFORMER—2nd i-f transformer
			RTL-5002	T4	TRANSFORMER—1st i-f transformer
			RTO-5001	T6	TRANSFORMER—Output transformer
			RWX-5501		CABLE ASSEMBLY—Battery cable
			RYM-5001		CHART—Dial calibration chart

REPLACEMENT PARTS LIST—MODELS 200, 203, & 205, 201, 202

PART NO.	SYMBOL	DESCRIPTION	PART NO.	SYMBOL	DESCRIPTION
UNIVERSAL REPLACEMENT PARTS			SPECIALIZED REPLACEMENT PARTS (Cont'd)		
UCC-039	C22	CAPACITOR—.005 mfd, 600 v, paper	RAX-001		PULLEY—Idler pulley assembly
UCC-040	C25	CAPACITOR—.01 mfd, 600 v, paper	RCC-013	C19	CAPACITOR—.01 mfd, 200 v, paper
UCC-048	C5	CAPACITOR—.01 mfd, 600 v, paper	RCC-040	C16, 17, 18	CAPACITOR—.01 mfd, 600 v, paper
UCU-020	C6	CAPACITOR—47 mmf, 500 v, mica	RCC-045	C4, 11, 20	CAPACITOR—.05 mfd, 600 v, paper
UCU-028	C13, 15	CAPACITOR—100 mmf, 500 v, mica	RCE-037	C21A, 21B	CAPACITOR—50-50 mfd, 150 v, dry electrolytic
UCU-032	C14	CAPACITOR—150 mmf, 500 v, mica	RCT-015	C1A, 1B	CONDENSER—Tuning condenser (includes C2 and C3)
UCU-040	C12	CAPACITOR—330 mmf, 500 v, mica	RDC-001		CORD—Drive cord assembly
UIC-001		CEMENT—Loudspeaker cone cement	RDD-001		DRUM—Drive drum and shaft assembly
UIC-002		THINNER—Cone cement thinner	RDE-001		ESCUTCHEON—Dial escutcheon (Models 203, 205)
UOP-528	LS1	SPEAKER—5 1/2 in. PM	RDG-002		PLATE—Dial back plate assembly
UOX-001		CONE—Replacement cone kit	RDK-006		KNOB—Control knob
URD-029	R14, 22	RESISTOR—150 ohms, 1/2 w, carbon	RDS-030		SCALE—Dial scale (Models 203, 205)
URD-041	R1, 11	RESISTOR—470 ohms, 1/2 w, carbon	RDS-031		SCALE—Dial scale (Models 200, 201)
URD-057	R9, 15	RESISTOR—1000 ohms, 1/2 w, carbon	RHM-004		CLIP—Speed clip for dial scale (Model 200)
URD-067	R2	RESISTOR—5600 ohms, 1/2 w, carbon	RHM-005		CLIP—Speed clip for dial scale (Models 203, 205)
URD-081	R3	RESISTOR—22,000 ohms, 1/2 w, carbon	RHM-016		CLIP—Osc. coil mtg. clip
URD-089	R6, 7, 21	RESISTOR—47,000 ohms, 1/2 w, carbon	RJS-003		TUBE SOCKET—Octal base tube socket (12SA7)
URD-105	R18	RESISTOR—220,000 ohms, 1/2 w, carbon	RJS-006		TUBE SOCKET—Octal base tube socket
URD-113	R4, 12, 13	RESISTOR—470,000 ohms, 1/2 w, carbon	RJS-053		SOCKET—Pilot lamp socket
URD-129	R5	RESISTOR—2.2 meg, 1/2 w, carbon	RLC-021	T4	COIL—Oscillator coil
URD-139	R10	RESISTOR—5.6 meg, 1/2 w, carbon	RRC-002	R8, S1	VOLUME CONTROL—2.0 meg potentiometer, includes power switch
URF-049	R17	RESISTOR—1000 ohms, 2 w, carbon	RRW-008	R16	RESISTOR—18 ohms, 1 w, wirewound
SPECIALIZED REPLACEMENT PARTS			RTL-001	T1	TRANSFORMER—1st I.F. transformer
RAB-001		BEAM-A-SCOPE—Cabinet back and loop assembly (Models 203, 205)	RTL-029	T2	TRANSFORMER—2nd I.F. transformer
RAB-003		BEAM-A-SCOPE—Cabinet back and loop assembly (Model 200)	RTO-003	T3	TRANSFORMER—Output transformer
RAU-002		CABINET—Brown plastic (Model 200)	RWL-009	P1	CORD—Power cord and plug
RAV-025		CABINET—Walnut wood (Model 203)	RDP-002		Dial Pointer
RAV-026		CABINET—Blonde wood (Model 205)			
RAV-027		CABINET—Maple wood (Model 205)			
RAU-371		Cabinet (202)			
RAU-003		Cabinet (201)			

MODELS 210, 212, 211

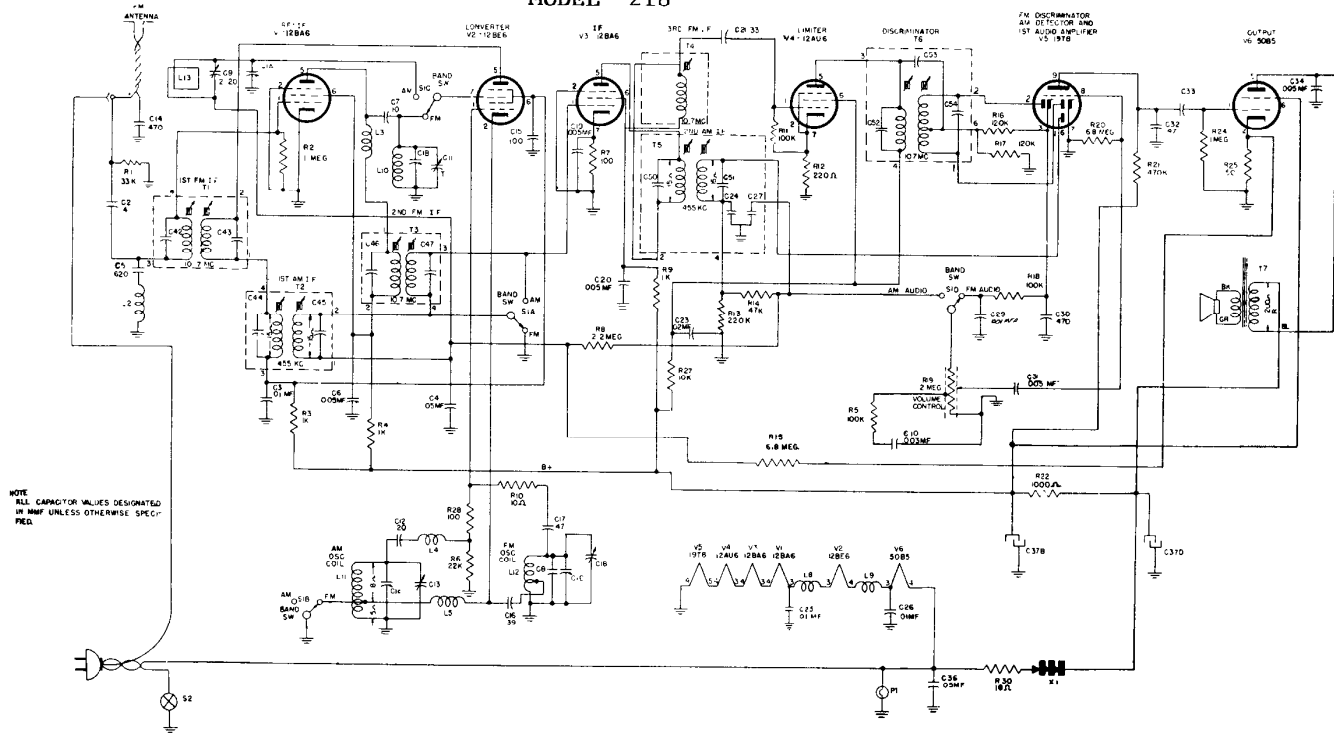


MODELS 210, 211, 212—REPLACEMENT PARTS LIST

Cat. No.	Symbol	Description	Sug- gested Unit List Price	Cat. No.	Symbol	Description	Sug- gested Unit List Price
UNIVERSAL REPLACEMENT PARTS				SPECIALIZED REPLACEMENT PARTS (Cont'd)			
UCC-621	C39	CAPACITOR—.002 mfd., 600 v., paper	\$0.25	RCW-2010	C22	CAPACITOR—47 mmf., ±5%, zero temp. coef., ceramic	\$0.60
UCC-623	C10	CAPACITOR—.003 mfd., 600 v., paper	.25	RCW-2033	C41	CAPACITOR—8 mmf., ±10%, max. neg. ceramic	.60
UCC-625	C31, 34	CAPACITOR—.005 mfd., 600 v., paper	.25	RCW-3004	C2	CAPACITOR—3 mmf., ±20%, zero temp. coef., ceramic	.60
UCC-630	C8	CAPACITOR—.01 mfd., 600 v., paper	.30	RCW-3016	C12	CAPACITOR—20 mmf., ±5%, max. neg. ceramic	.60
UCC-631	C3, 6, 20, 23, 28, 33	CAPACITOR—.02 mfd., 600 v., paper	.30	RCY-016	C9	CAPACITOR—2-20 mmf., trimmer capacitor	.35
UCC-635	C4, 5, 19, 25, 26, 21, 36, 40	CAPACITOR—.05 mfd., 600 v., paper	.40	RCY-029	C18	CAPACITOR—FM oscillator trimmer	1.00
UCU-020	C24, 27, 32, 35	CAPACITOR—47 mmf., ±20%, mica	.25	RCY-044	C38	CAPACITOR—86-146 mmf., trimmer capacitor	.55
UCU-032	C29	CAPACITOR—150 mmf., ±20%, mica	.25	RDE-031		ESCUTCHEON	.65
UCU-044	C30	CAPACITOR—470 mmf., ±20%, mica	.30	RDK-130		KNOB—Fawn for Model 210 tone control	.30
UOP-557		SPEAKER—5¼-inch PM speaker	4.75	RDK-131		KNOB—Fawn for Model 210 tuning control	.30
URD-001	R10	RESISTOR—10 ohms, ½ w., carbon	.13	RDK-132		KNOB—Fawn for Model 210 volume control and band switch	.20
URD-025	R2, 7, 28	RESISTOR—100 ohms, ½ w., carbon	.13	RDK-133		KNOB—Maroon for volume control and band switch on Models 211, 212	.20
URD-037	R29	RESISTOR—330 ohms, ½ w., carbon	.13	RDK-134		KNOB—Maroon for tone control on Models 211, 212	.30
URD-041	R26	RESISTOR—470 ohms, ½ w., carbon	.13	RDK-135		KNOB—Maroon for tuning on Models 211, 212	.30
URD-049	R3, 4, 9	RESISTOR—1000 ohms, ½ w., carbon	.13	RDP-039		POINTER ASSEMBLY	.15
URD-057	R27	RESISTOR—2200 ohms, ½ w., carbon	.13	RDS-071		SCALE, DIAL SCALE	2.05
URD-081	R6	RESISTOR—22,000 ohms, ½ w., carbon	.13	RDW-009		WINDOW	.20
URD-085	R1, 12	RESISTOR—33,000 ohms, ½ w., carbon	.13	RHG-015		GROMMET—Rubber grommet	.05
URD-089	R14, 15	RESISTOR—47,000 ohms, ½ w., carbon	.13	RJS-033		SOCKET—For dial light	.45
URD-097	R5, 18	RESISTOR—100,000 ohms, ½ w., carbon	.13	RJS-105		SOCKET—7-prong tube socket	.20
URD-099	R16, 17	RESISTOR—120,000 ohms, ½ w., carbon	.13	RJS-118		SOCKET—9-prong tube socket	.35
URD-105	R13	RESISTOR—220,000 ohms, ½ w., carbon	.13	RJX-019		SOCKET—Female interlock socket on power cord	.40
URD-113	R21, 24	RESISTOR—470,000 ohms, ½ w., carbon	.13	RLA-012	L4	CHOKE—FM oscillator grid choke	1.05
URD-121	R11	RESISTOR—1.0 meg., ½ w., carbon	.13	RLB-026	L10	COIL—FM R-F coil	.65
URD-129	R8	RESISTOR—2.2 meg., ½ w., carbon	.13	RLC-066	L11	COIL—AM oscillator coil	.90
URD-141	R20	RESISTOR—6.8 meg., ½ w., carbon	.13	RLC-067	L12	COIL—FM oscillator coil (length of 300-ohm line between tuning condenser and terminal board tapped at the converter tube)	.30
URE-029	R25	RESISTOR—150 ohms, 1 w., carbon	.17	RLI-005	L3, 8, 9	CHOKE—FM choke	1.00
URE-041	R22, 23	RESISTOR—470 ohms, 1 w., carbon	.17	RLI-044	L7	CHOKE—Power line choke	.75
SPECIALIZED REPLACEMENT PARTS				RLI-056	L2	CHOKE—FM antenna choke	.65
RAA-007		ARM—Switch arm for tone control	\$0.50	RLI-057	L5	CHOKE—FM oscillator cathode choke	.70
RAB-074	L13	LOOP AND BACK ASSEMBLY FOR MODELS 210 AND 211	2.15	RLI-058	L6	CHOKE—Limiter cathode choke	.65
RAB-075	L13	LOOP AND BACK ASSEMBLY FOR MODEL 212	2.25	RLI-062	L1	CHOKE—FM Choke	1.00
RAU-036		CABINET—White plastic cabinet for Model 211	10.50	RMG-009		GEAR SEGMENT—For tone control	.30
RAU-037		CABINET—Brown plastic cabinet for Model 210	8.50	RMS-004		SPRING—Dial cord tension spring	.05
RAV-057		CABINET—Wood cabinet for Model 212	17.50	RRC-082	R19, S2	VOLUME CONTROL AND POWER SWITCH	1.65
RCE-065	C37A, B, C, D	CAPACITOR—Electrolytic capacitor	3.45	RRW-008	R30	RESISTOR—Flexible resistor, 18 ohms, 1 w., ±10%	.35
RCT-031	C1A, B, C, D, C11, 13, C14, 15	CAPACITOR—Tuning capacitor	7.25	RSI-003	S1	SOCKET—Male interlock on chassis	.15
RCW-176		CAPACITOR—470 mmf., ±20%, max. neg. ceramic	.60	RSW-056	S3	SWITCH—Bandchange switch	1.85
RCW-1052	C17	CAPACITOR—47 mmf., ±20%, max. neg. ceramic	.60	RTD-006	T6	SWITCH—Tone control switch	1.05
RCW-1057	C16	CAPACITOR—39 mmf., ±10%, max. neg. ceramic	.60	RTL-054	T5	TRANSFORMER—Discriminator transformer	4.95
RCW-1060	C7	CAPACITOR—10 mmf., ±20%, zero temp. coef., ceramic	.60	RTL-077	T1, 3, 4	TRANSFORMER—AM-2nd I-F transformer	2.40
				RTL-078	T2	TRANSFORMER—1st, 2nd and 3rd FM I-F transformer	2.50
				RTO-049	T7	TRANSFORMER—AM 1st I-F transformer	2.45
				RHB-008		TRANSFORMER—Output transformer	2.60
						Emblem Button	

PRICES SUBJECT TO CHANGE WITHOUT NOTICE

MODEL 218



**MODEL 218
REPLACEMENT PARTS LIST**

Cat. No.	Symbol	Description	Suggested Unit List Price	Cat. No.	Symbol	Description	Suggested Unit List Price
----------	--------	-------------	---------------------------	----------	--------	-------------	---------------------------

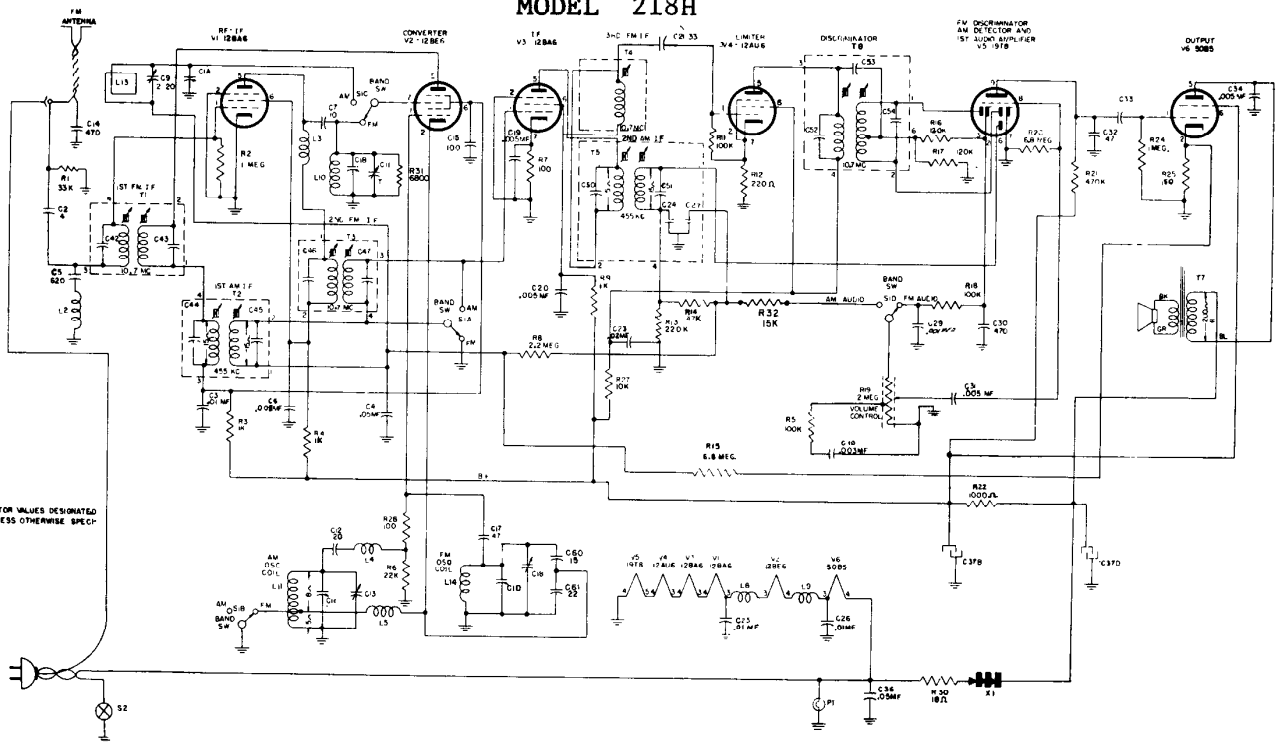
UNIVERSAL REPLACEMENT PARTS

UCC-037	C10	CAPACITOR—.003 mfd., 600 v., paper	\$0.25	URD-033	R12	RESISTOR—220 ohms, ½ w., carbon	\$0.13
UCC-039	C6, 19, 20, 31, 34	CAPACITOR—.005 mfd., 600 v., paper	.25	URD-049	R3, 4, 9	RESISTOR—1000 ohms, ½ w., carbon	.13
UCC-040	C3, 23, 25, 26, 33	CAPACITOR—.01 mfd., 600 v., paper	.25	URD-073	R27	RESISTOR—10,000 ohms, ½ w., carbon	.13
UCC-045	C4, 36	CAPACITOR—.05 mfd., 600 v., paper	.30	URD-081	R6	RESISTOR—22,000 ohms, ½ w., carbon	.13
UCU-001	C2	CAPACITOR—4 mmf., 500 v., mica	.25	URD-085	R1	RESISTOR—33,000 ohms, ½ w., carbon	.13
UCU-020	C32	CAPACITOR—47 mmf., 500 v., mica	.25	URD-089	R14	RESISTOR—47,000 ohms, ½ w., carbon	.13
UCU-028	C15	CAPACITOR—100 mmf., 500 v., mica	.25	URD-097	R5, 11, 18	RESISTOR—100,000 ohms, ½ w., carbon	.13
UCU-044	C29, 30	CAPACITOR—470 mmf., 500 v., mica	.30	URD-099	R16, 17	RESISTOR—120,000 ohms, ½ w., carbon	.13
UCU-516	C21	CAPACITOR—33 mmf., 500 v., mica	.30	URD-105	R13	RESISTOR—220,000 ohms, ½ w., carbon	.13
UCU-2047	C5	CAPACITOR—620 mmf., 500 v., mica	.30	URD-113	R21, 24	RESISTOR—470,000 ohms, ½ w., carbon	.13
UOP-577		SPEAKER	4.00	URD-121	R2	RESISTOR—1 meg., ½ w., carbon	.13
URD-001	R10	RESISTOR—10 ohms, ½ w., carbon	.13	URD-129	R8	RESISTOR—2.2 meg., ½ w., carbon	.13
URD-007	R30	RESISTOR—18 ohms, ½ w., carbon	.13	URD-141	R15, 20	RESISTOR—6.8 meg., ½ w., carbon	.13
URD-025	R7, 28	RESISTOR—100 ohms, ½ w., carbon	.13	URE-029	R25	RESISTOR—150 ohms, 1 w., carbon	.17
				URF-049	R22	RESISTOR—1000 ohms, 2 w., carbon	.25

SPECIALIZED REPLACEMENT PARTS

RAB-104	L13	LOOP AND BACK ASSEMBLY	\$1.50	*RJS-118		SOCKET—9 prong tube socket for V5	\$0.35
RAU-309		CABINET—Brown	7.95	*RJS-125		SOCKET—7 prong tube socket for V1, V2, V3, V4, V6	.20
RCE-101	C37A, 37B	CAPACITOR—80 mfd.—40 mfd., 150 v., electrolytic	2.00	RJX-033		SOCKET ASSEMBLY—For pilot light	.60
RCT-038	C1A, 1B, 1C, 1D, 1E, 1F, 1G, 1H, 1I, 1J, 1K, 1L, 1M, 1N, 1O, 1P, 1Q, 1R, 1S, 1T, 1U, 1V, 1W, 1X, 1Y, 1Z	CAPACITOR—Tuning capacitor	6.95	RJX-034		INTERLOCK ASSEMBLY—Female	.45
*RCW-176	C14	CAPACITOR—470 mmf., Hi-K	.60	*RLB-029	L10	COIL—FM r-f choke coil	.15
*RCW-1043	C17	CAPACITOR—47 mmf.	.60	RLC-092	L11	COIL—B-C oscillator coil	.90
*RCW-1057	C16	CAPACITOR—39 mmf.	.60	RLC-093	L12	COIL—FM oscillator coil	.90
*RCW-1060	C7	CAPACITOR—10 mmf.	.60	*RLI-085	L4, 8, 9	COIL—2 mmh. choke	.25
*RCW-1070	C12	CAPACITOR—20 mmf., ceramic	.60	RLL-087	L3, 5	COIL—5 mmh. choke	.20
*RCW-1075	C8	CAPACITOR—4 mmf., ceramic	.60	RLL-088	L2	COIL—FM antenna choke	.13
RCY-055	C18	CAPACITOR—Trimmer	.65	*RMS-035		SPRING—Dial cord tension	.05
RCY-056	C9	CAPACITOR—2-20 mmf., trimmer	.40	RUM-054		SHAFT—Tuning	.30
*RDC-032		CORD—Dial cord	2.50/spool	RRC-111	R19, S2	VOLUME CONTROL	1.60
RDK-177		KNOB AND BEZEL ASSEMBLY	.45	*RSI-003		INTERLOCK ASSEMBLY—Male	.15
*RDP-048		POINTER	.25	*RSW-072	S1	BAND SWITCH	1.75
RDS-086		PLATE—Dial scale back plate	1.10	*RTD-006	T6	TRANSFORMER—Discriminator	4.95
RDW-029		WINDOW—For dial scale	.50	RTL-097	T2	TRANSFORMER—1st BC i-f	1.90
*RER-001		RECTIFIER—Selenium rectifier	.66	RTL-098	T5	TRANSFORMER—2nd BC i-f	2.10
*RHF-006		CHASSIS FOOT	.10	RTL-099	T1, 3	TRANSFORMER—1st and 2nd FM i-f	2.45
*RHH-002		STUD—Tri-mount	.10	RTL-100	T4	TRANSFORMER—3rd FM i-f	1.10
RHH-004		SNAP FASTENER	.02	*RTO-039	T7	TRANSFORMER—Output	2.90
RII-028	X1	INSULATOR—Pointer insulator	.15	RWL-022		POWER CORD—3 wire	1.25
RIX-001		BRACKET—Tuning shaft bracket and insulating strip	.10				

MODEL 218H



NOTE
ALL CAPACITOR VALUES DESIGNATED
IN MMF UNLESS OTHERWISE SPECI-
FIED.

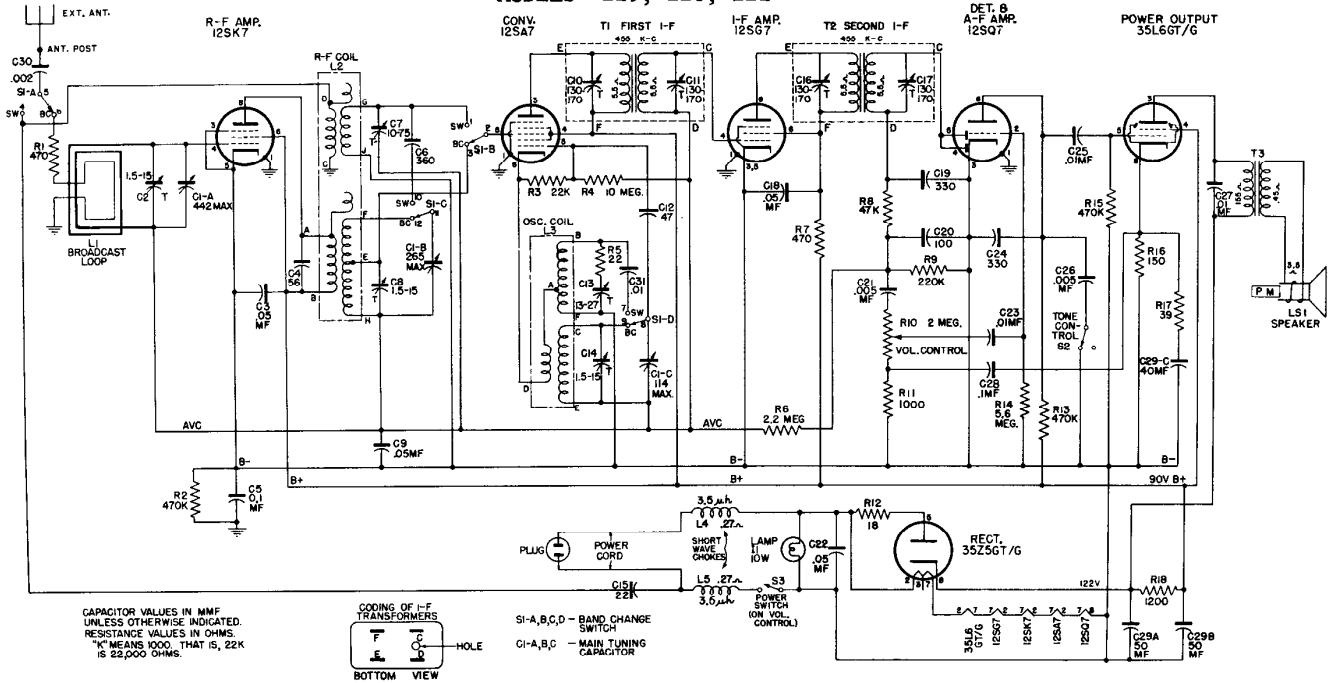
REPLACEMENT PARTS LIST 218H

Cat. No.	Symbol	Description	Suggested Unit List Price	Cat. No.	Symbol	Description	Suggested Unit List Price
UNIVERSAL REPLACEMENT PARTS							
UCC-037	C10	CAPACITOR—.003 mfd., 600 v., paper	\$0.25	URD-033	R12	RESISTOR—220 ohms, ½ w., carbon	\$0.13
UCC-039	C6, 19, 20, 31, 34	CAPACITOR—.005 mfd., 600 v., paper	.25	URD-049	R3, 4, 9	RESISTOR—1000 ohms, ½ w., carbon	.13
UCC-040	C3, 23, 25, 26, 33	CAPACITOR—.01 mfd., 600 v., paper	.25	URD-073	R27	RESISTOR—10,000 ohms, ½ w., carbon	.13
UCC-045	C4, 36	CAPACITOR—.05 mfd., 600 v., paper	.30	URD-081	R6	RESISTOR—22,000 ohms, ½ w., carbon	.13
UCU-001	C2	CAPACITOR—4 mmf., 500 v., mica	.25	URD-085	R1	RESISTOR—33,000 ohms, ½ w., carbon	.13
UCU-020	C32	CAPACITOR—47 mmf., 500 v., mica	.25	URD-089	R14	RESISTOR—47,000 ohms, ½ w., carbon	.13
UCU-028	C15	CAPACITOR—100 mmf., 500 v., mica	.25	URD-097	R5, 11, 18	RESISTOR—100,000 ohms, ½ w., carbon	.13
UCU-044	C29, 30	CAPACITOR—470 mmf., 500 v., mica	.30	URD-099	R16, 17	RESISTOR—120,000 ohms, ½ w., carbon	.13
UCU-516	C21	CAPACITOR—33 mmf., 500 v., mica	.30	URD-105	R13	RESISTOR—220,000 ohms, ½ w., carbon	.13
UCU-2047	C5	CAPACITOR—620 mmf., 500 v., mica	.30	URD-113	R21, 24	RESISTOR—470,000 ohms, ½ w., carbon	.13
UOP-577		SPEAKER	4.00	URD-121	R2	RESISTOR—1 meg., ½ w., carbon	.13
URD-001	R10	RESISTOR—10 ohms, ½ w., carbon	.13	URD-129	R8	RESISTOR—2.2 meg., ½ w., carbon	.13
URD-007	R30	RESISTOR—18 ohms, ½ w., carbon	.13	URD-141	R15, 20	RESISTOR—6.8 meg., ½ w., carbon	.13
URD-025	R7, 28	RESISTOR—100 ohms, ½ w., carbon	.13	URE-029	R25	RESISTOR—150 ohms, 1 w., carbon	.17
				URF-049	R22	RESISTOR—1000 ohms, 2 w., carbon	.25

SPECIALIZED REPLACEMENT PARTS

RAB-104	L13	LOOP AND BACK ASSEMBLY	\$1.50	*RJS-118		SOCKET—9 prong tube socket for V5	\$0.35
RAU-309		CABINET—Brown	7.95	*RJS-125		SOCKET—7 prong tube socket for V1, V2, V3, V4, V6	.20
RCE-101	C37A, 37B	CAPACITOR—80 mfd.—40 mfd., 150 v., electrolytic	2.00	RJX-033		SOCKET ASSEMBLY—For pilot light	.60
RCT-038	C1A, 1B, 1C, 1D, C11, 13	CAPACITOR—Tuning capacitor	6.95	RJX-034		INTERLOCK ASSEMBLY—Female	.45
*RCW-176	C14	CAPACITOR—470 mmf., Hi-K	.60	*RLB-029	L10	COIL—FM r-f choke coil	.15
*RCW-1043	C17	CAPACITOR—47 mmf.	.60	RLC-092	L11	COIL—B-C oscillator coil	.90
*RCW-1057	C16	CAPACITOR—39 mmf.	.60	*RLI-085	L4, 8, 9	COIL—2 mmh. choke	.25
*RCW-1060	C7	CAPACITOR—10 mmf.	.60	RLI-087	L3, 5	COIL—5 mmh. choke	.20
*RCW-1070	C12	CAPACITOR—20 mmf., ceramic	.60	RLI-088	L2	COIL—FM antenna choke	.13
*RCW-1075	C8	CAPACITOR—4 mmf., ceramic	.60	*RMS-035		SPRING—Dial cord tension	.05
RCY-055	C18	CAPACITOR—Trimmer	.65	RUM-054		SHAFT—Tuning	.30
RCY-056	C9	CAPACITOR—2-20 mmf., trimmer	.40	RRC-111	R19, S2	VOLUME CONTROL	1.60
*RDC-032		CORD—Dial cord	2.50 spool	*RSI-003		INTERLOCK ASSEMBLY—Male	.15
RDK-177		KNOB AND BEZEL ASSEMBLY	.45	*RSW-072	S1	BAND SWITCH	1.75
*RDP-048		POINTER	.25	RTL-097	T2	TRANSFORMER—1st BC i-f	1.90
RDS-086		PLATE—Dial scale back plate	1.10	RTL-098	T5	TRANSFORMER—2nd BC i-f	2.10
RDW-029		WINDOW—For dial scale	.50	RTL-099	T1, 3	TRANSFORMER—1st and 2nd FM i-f	2.45
*RER-001	X1	RECTIFIER—Selenium rectifier	.66	RTL-100	T4	TRANSFORMER—3rd FM i-f	1.10
*RHF-006		CHASSIS FOOT	.15	*RTO-039	T7	TRANSFORMER—Output	2.90
*RHH-002		STUD—Tri-mount	.10	RWL-022		POWER CORD—3 wire	1.25
RHH-004		SNAP FASTENER	.02	RLC 102	L14	COIL—FM oscillator coil	--
RHI-028		INSULATOR—Pointer insulator	.15	RTD-010	T8	TRANSFORMER Discriminator IF transformer	--
RIX-001		BRACKET—Tuning shaft bracket and insulating strip	.10	URD-077	R32	RESISTOR—15,000 ohms, ½ w.	.13
*URD 069	R31	RESISTOR—6800 ohms, ½ w.	\$0.13				
*RCW-1077	C61	CAPACITOR—22 mmf., ceramic	.60				
*RCW 2027	C60	CAPACITOR—15 mmf., ceramic	.60				
RDS-093		DIAL SCALE Model 218 "H" back plate dial scale	--				

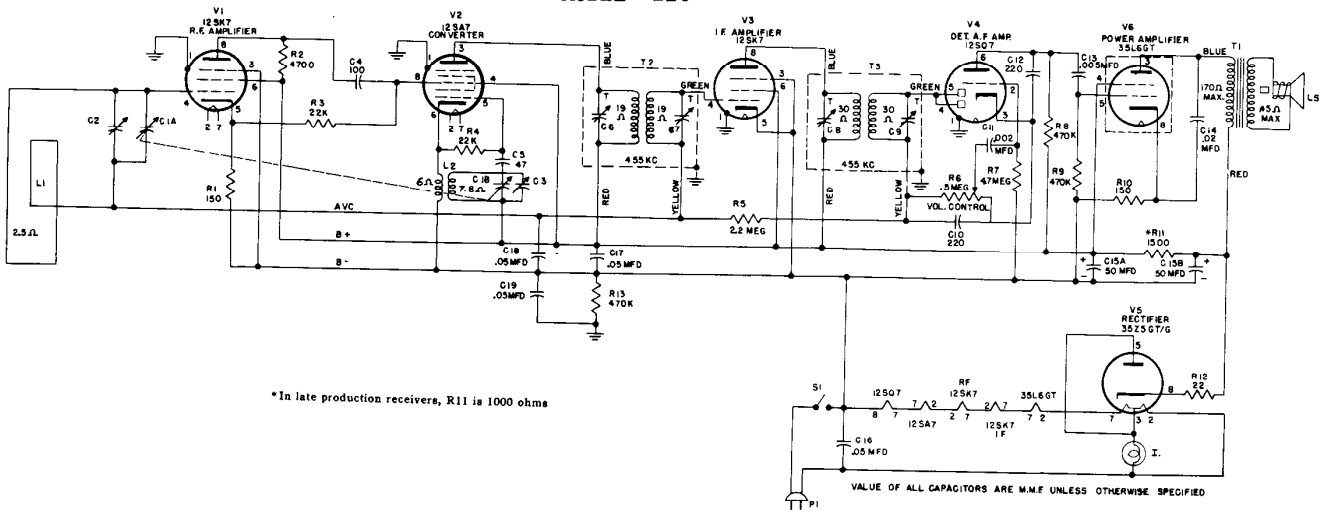
MODELS 219, 220, 221



REPLACEMENT PARTS LIST 219, 220, 221

PART NO.	SYMBOL	DESCRIPTION	PART NO.	SYMBOL	DESCRIPTION
UNIVERSAL G-E REPLACEMENT PARTS			SPECIALIZED G-E REPLACEMENT PARTS (Cont'd)		
UCC-036	C30	Capacitor—002 mf, 600 V., paper	RCU-053	C4	Capacitor—56 mmf, mica
UCC-039	C21	Capacitor—005 mf, 600 V., paper	RCU-108	C15	Capacitor—22 mmf, mica
UCC-040	C23, C25, C27, C31	Capacitor—.01 mf, 600 V., paper	RCU-110	C12	Capacitor—47 mmf, mica
UCC-045	C3, C9, C18, C22	Capacitor—.05 mf, 600 V., paper	RCU-112	C20	Capacitor—100 mmf, mica
URD-018	I1	Lamp—110 125 V., 10 W.	RCU-115	C19, C24	Capacitor—330 mmf, mica
URD-009	R5	Resistor—22 ohm, 1/2 watt, carbon	RCU-164	C6	Capacitor—360 mmf, mica
URD-015	R17	Resistor—39 ohm, 1/2 watt, carbon	RCY-002	C2	Capacitor—trimmer—1.5–15 mmf
URD-029	R16	Resistor—150 ohm, 1/2 watt, carbon	RCY-003	C13	Capacitor—trimmer—13–27 mmf
URD-041	R1, R7	Resistor—470 ohm, 1/2 watt, carbon	RDE-004	—	Escutcheon—model 221
URD-049	R11	Resistor—1000 ohm, 1/2 watt, carbon	RDF-002	—	Felt washer, smaller, under round knobs—models 220, 221
URD-081	R3	Resistor—22,000 ohm, 1/2 watt, carbon	RDF-004	—	Felt washer, larger, under flipper knobs—models 220, 221
URD-089	R8	Resistor—47,000 ohm, 1/2 watt, carbon	RDK-003	—	Knob, round—model 220
URD-105	R9	Resistor—220,000 ohm, 1/2 watt, carbon	RDK-005	—	Knob, flipper—model 220
URD-113	R2, R13, R15	Resistor—470,000 ohm, 1/2 watt, carbon	RDK-008	—	Knob, round—model 219
URD-129	R6	Resistor—2.2 meg., 1/2 watt, carbon	RDK-009	—	Knob, round—model 221
URD-139	R14	Resistor—5.6 meg., 1/2 watt, carbon	RDK-010	—	Knob, flipper—model 221
URD-145	R4	Resistor—10 meg., 1/2 watt, carbon	RDK-011	—	Knob, flipper—model 219
URE-007	R12	Resistor—18 ohm, 1 watt, carbon	RDP-004	—	Pointer assembly
URF-051	R18	Resistor—1200 ohm, 2 watt, carbon	RDS-005	—	Dial scale assembly
SPECIALIZED G-E REPLACEMENT PARTS			RDX-005	—	Dial parts—back plate and bracket assembly
RAA-003	—	Switch arm, with set screw, for Band Change and Tone Control switches—switch half	RDX-006	—	Shaft, hair pin cotter, and drive shaft bracket
RAA-004	—	Switch arm, with set screw, for Band Change and Tone Control switches—flipper half	RDX-007	—	Cord—for dial pointer
RAB-005	—	Cabinet back, for Model 220	RHG-001	—	Grommet—cushion used for mounting tuning capacitor
RAB-006	—	Cabinet back, for Model 221	RHU-002	—	Spacer—for RHG-001
RAB-007	—	Cabinet back, for Model 219	RHX-001	—	Chassis mounting bolt and washer
RAD-006	—	Antenna bracket, left side	RIT-001	—	Cover for electrolytic capacitor
RAD-007	—	Antenna bracket, right side	RJS-003	—	Tube socket—octal
RAD-008	—	Baffle bracket—models 219, 220	RJS-004	—	Socket for electrolytic capacitor
RAE-001	—	Baffle shield	RJS-010	—	Socket—dial light
RAG-001	—	Grille—models 219, 220	RLB-001	L2	Coil—RF
RAU-004	—	Cabinet—model 219	RLC-003	L3	Coil—oscillator
RAU-005	—	Cabinet—model 220	RLI-001	L4, L5	Coil—power cord choke
RAV-002	—	Cabinet—model 221	RLI-003	L1	Loop Assembly
RCC-004	C26	Capacitor—.005 mf, 600 V., paper	RMS-001	—	Spring—on dial string drum
RCC-040	C23, C25, C27	Capacitor—.01 mf, 600 V., paper	ROP-005	LS1	Speaker—5 1/4 in. PM
RCC-045	C22	Capacitor—.05 mf, 600 V., paper	RRC-004	R10	Volume Control—2 meg.
RCC-046	C5, C28	Capacitor—0.1 mf, 600 V., paper	RSW-004	S2	Switch—Tone Control
RCE-001	C29-A, -B, -C	Capacitor—50-50-40 mf, 150-150-25 V., electrolytic	RSW-005	S1	Switch—Band Change
RCT-004	C1, C7, C8, C14	Capacitor—main tuning capacitor assembly	RTL-001	T1	I-F Transformer assembly
			RTL-002	T2	I-F Transformer assembly
			RTO-003	T3	Transformer—output
			RWL-003	—	Power cord

MODEL 226



*In late production receivers, R11 is 1000 ohms

VALUE OF ALL CAPACITORS ARE M.M.F. UNLESS OTHERWISE SPECIFIED

MODEL 226 REPLACEMENT PARTS LIST

CAT. NO.	SYMBOL	DESCRIPTION	SUG- GESTED UNIT LIST PRICE	CAT. NO.	SYMBOL	DESCRIPTION	SUG- GESTED UNIT LIST PRICE
UNIVERSAL REPLACEMENT PARTS				SPECIALIZED REPLACEMENT PARTS (CONT'D)			
UCC-036	C11	CAPACITOR—.002 mf., 600 v., paper (alternate replacement for RCW-3013)	\$0.30	RCW-3013	C10, 11, 12, 13	CAPACITOR—220 mmf., .002 mf., 220 mmf., .005 mf. four section, ceramic (see UCC-036, UCC-039, UCU-1036)	\$1.00
UCC-039	C13	CAPACITOR—.005 mf., 600 v., paper (alternate replacement for RCW-3013)	.30	RDC-032		CORD—Bulk dial cord	2.50
UCC-041	C14	CAPACITOR—.02 mf., 600 v., paper	.25	RDK-181		KNOB—Volume or tuning control knob	.15
UCC-045	C16, 17, 18, 19	CAPACITOR—.05 mf.; 600 v., paper	.30	RDP-049		POINTER—Dial scale pointer	.25
UCU-020	C5	CAPACITOR—47 mmf., mica	.60	RDS-089		DIAL SCALE	.95
UCU-028	C4	CAPACITOR—100 mmf., mica	.25	RHC-017		CLIP—Mounting clip for oscillator coil L2	.02
UCU-1036	C10, 12	CAPACITOR—220 mmf., mica (alternate replacement for RCW-3013)	.30	RHG-018		GROMMET—Cushion mounting for tuning capacitor C1A and C1B	.05
URD-009	R12	RESISTOR—22 ohms, 1/2 w., carbon	.13	RHH-004		SNAP FASTENER—Holds loop back to cabinet	.02
URD-029	R1, 10	RESISTOR—150 ohms, 1/2 w., carbon	.13	RHJ-005		SPACER—Spacer bushing for mounting tuning capacitor	.02
URD-065	R2	RESISTOR—4700 ohms, 1/2 w., carbon	.13	RHM-039		CLIP—Clip for pilot light	.10
URD-081	R3, 4	RESISTOR—22,000 ohms, 1/2 w., carbon	.13	RJC-004		CONNECTOR—Antenna loop lead connecting clip	.02
URD-113	R8, 9, 13	RESISTOR—470,000 ohms, 1/2 w., carbon	.13	RJS-003		SOCKET—Tube socket	.20
URD-129	R5	RESISTOR—2.2 meg., 1/2 w., carbon	.13	RJS-096		SOCKET ASSEMBLY—Pilot light socket	.35
URD-137	R7	RESISTOR—4.7 meg., 1/2 w., carbon	.13	RLC-090	L2	COIL—Oscillator coil	.90
URF-053	R11	RESISTOR—1500 ohms, 2 w., carbon	.25	RMS-120		SPRING—Dial cord tension spring	.15
UOP-577	LS	LOUDSPEAKER—	4.00	RMX-149		SHAFT AND BUSHING—Tuning shaft and mounting bushing	.60
SPECIALIZED REPLACEMENT PARTS				RRC-077	R6, S1	POTENTIOMETER—500,000 ohms; volume control and switch S1	1.65
RAB-108	L1	CABINET BACK—With antenna loop	\$1.60	RTL-092	T2	TRANSFORMER—First i-f transformer	2.10
RAU-311		CABINET—Brown cabinet (plastic)	6.95	RTL-093	T3	TRANSFORMER—Second i-f transformer	2.10
RCE-050	C15A, B	CAPACITOR—50 mf., 150 v.; 50 mf., 150 v.; dry electrolytic	2.10	RTO-075	T1	TRANSFORMER—Audio output transformer	2.10
RCT-036	C1A, B, C2, 3	CAPACITOR—Two-section tuning capacitor with trimmers	3.95	RWL-009		POWER CORD—A-c power cord and plug	.70

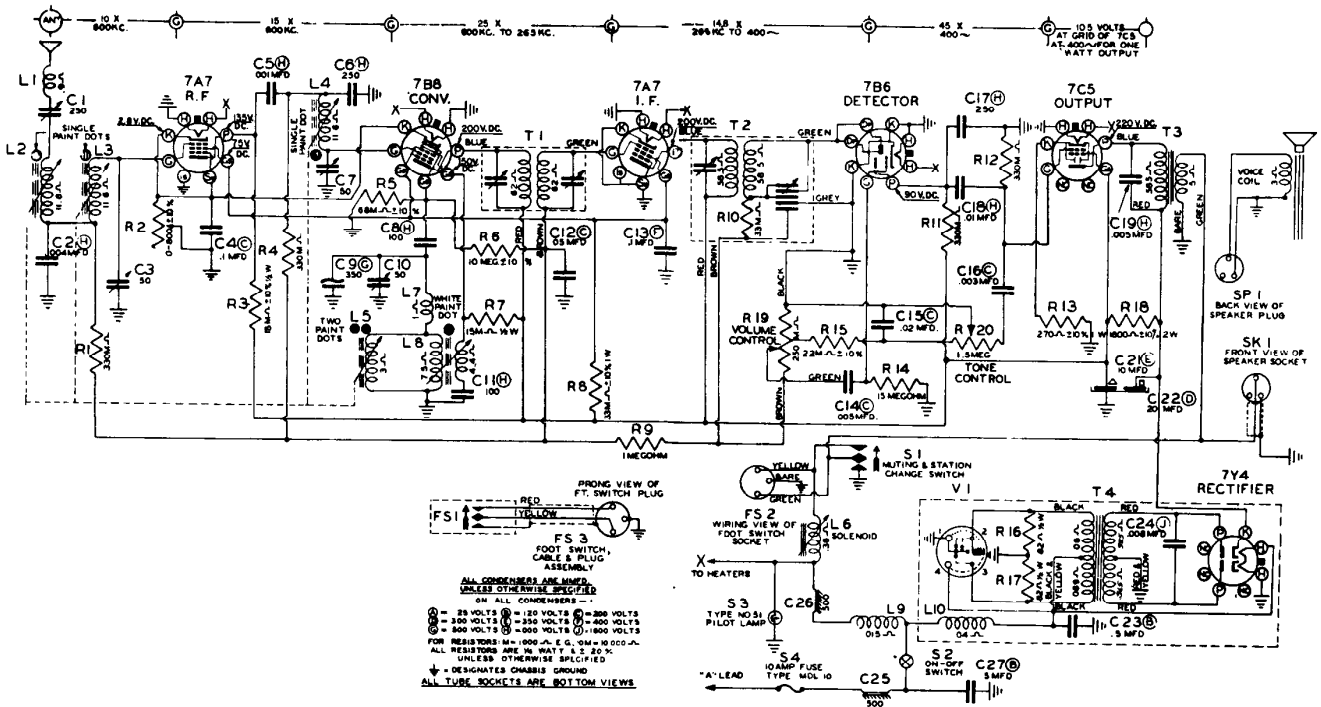
REPLACEMENT PARTS LIST MODEL 230

PURCHASE PARTS FROM NEAREST GENERAL ELECTRIC WHOLESALE DISTRIBUTOR

Cat. No.	Symbol	Description	Cat. No.	Symbol	Description
DIAL AND TUNING MECHANISM ASSEMBLY			CHASSIS COMPONENTS (Cont'd)		
RDB-012 RDE-025 RDM-002		BUTTON—Station selector button (Kaiser) ESCUTCHEON—Dial scale escutcheon FLAG—Indicator flag and window assembly (Frazer)	RRC-049	R19, R20, S2	CONTROL—250,000 ohm, vol. control, 1.5 meg. tone control and power switch (Frazer)
RDM-003		FLAG—Indicator flag and window assembly (Kaiser)	RSX-012	S1	SWITCH—Band selector and muting switch assembly
RDP-030 RDP-031 RDS-041 RDS-042 REL-007 RHH-005 RJP-016 RJS-067 RLS-001 RMD-001 RMG-006 RML-011 RMM-026 RMR-003 RMS-084 RMS-085 RMS-086 RMS-087 RMS-088 RMS-089 RMS-090 RMS-091 RMS-092 RMU-024	L6	POINTER—Dial pointer assembly (Kaiser) POINTER—Dial pointer assembly (Frazer) SCALE—Dial scale (Frazer) SCALE—Dial scale (Kaiser) CORE—Adjusting spring and core RING—Turret screw lock ring PLUG—Solenoid end plug and bracket assembly SOCKET—Dial light socket and wire assembly COIL—Tuning solenoid and terminal assembly Disc—Indexing disc GEAR—Ratchet gear LEVER—Mounting plate and lever assembly ARM—Cross arm assembly RATCHET—Ratchet and bracket assembly SPRING—Gear indexing spring SPRING—Cross arm return spring SPRING—Cam lever spring SPRING—Ratchet gear return spring SPRING—Lever spring SPRING—Kick-off spring SPRING—Tuning shaft spring SPRING—Solenoid switch spring SPRING—Solenoid switch contact spring SHAFT—Tuning shaft and gear assembly (Kaiser) SHAFT—Tuning shaft and gear assembly (Frazer)	RSX-013		SWITCH—Speaker output transformer TRANSFORMER—Power transformer CABLE—Battery cable (set to fuse) CABLE—Battery cable (fuse to ammeter) CABLE—Speaker cable and socket CAPACITOR—.003 mfd., 200 v., paper CAPACITOR—.005 mfd., 200 v., paper CAPACITOR—.02 mfd., 200 v., paper CAPACITOR—.05 mfd., 200 v., paper CAPACITOR—.01 mfd., 200 v., paper CAPACITOR—.05 mfd., 120 v., paper CAPACITOR—.01 mfd., 400 v., paper CAPACITOR—.001 mfd., 600 v., paper CAPACITOR—.004 mfd., 600 v., paper CAPACITOR—.005 mfd., 600 v., paper CAPACITOR—.01 mfd., 600 v., paper CAPACITOR—100 mmf., mica RESISTOR—82 ohms, 1/2 w., carbon RESISTOR—120 ohms, 1/2 w., carbon RESISTOR—15,000 ohms, 1/2 w., carbon RESISTOR—18,000 ohms, 1/2 w., carbon RESISTOR—22,000 ohms, 1/2 w., carbon RESISTOR—33,000 ohms, 1/2 w., carbon RESISTOR—100,000 ohms, 1/2 w., carbon RESISTOR—330,000 ohms, 1/2 w., carbon RESISTOR—47,000 ohms, 1/2 w., carbon RESISTOR—68,000 ohms, 1/2 w., carbon RESISTOR—1 meg., 1/2 w., carbon RESISTOR—10 meg., 1/2 w., carbon RESISTOR—15 meg., 1/2 w., carbon RESISTOR—33,000 ohms, 1 w., carbon RESISTOR—270 ohms, 1 w., w.w. RESISTOR—1800 ohms, 2 w., w.w.
RMX-085 UDL-005	S3	ASSEMBLY—Turret assembly LAMP—Dial light bulb	RTL-041 RTL-042 RTO-031 RTP-043 RWB-001 RWB-002 RWX-005 UCC-003 UCC-005 UCC-009 UCC-011 UCC-013 UCC-016 UCC-030 UCC-035 UCC-038 UCC-039 UCC-040 UCU-1028 URD-023 URD-027 URD-077 URD-079 URD-081 URD-085 URD-097 URD-100 URD-113 URD-117 URD-121 URD-145 URD-149 URE-005 URE-035 URF-055	T1 T2 T3 T4 SK1 C16 C14 C15 C12 C4 C23, 27 C13 C5 C2 C19 C18 C8, 11 R16, 17 R22 R7 R3 R15 R10 R21 R1, 4, 11, 17 R23 R5 R9 R6 R14 R8 R13 R18	CONTROL—250,000 ohm, vol. control, 1.5 meg. tone control and power switch (Frazer) SWITCH—Band selector and muting switch assembly SWITCH—Foot switch and cable assembly (63-1287) TRANSFORMER—1st i-f transformer TRANSFORMER—2nd i-f transformer TRANSFORMER—Speaker output transformer TRANSFORMER—Power transformer CABLE—Battery cable (set to fuse) CABLE—Battery cable (fuse to ammeter) CABLE—Speaker cable and socket CAPACITOR—.003 mfd., 200 v., paper CAPACITOR—.005 mfd., 200 v., paper CAPACITOR—.02 mfd., 200 v., paper CAPACITOR—.05 mfd., 200 v., paper CAPACITOR—.01 mfd., 200 v., paper CAPACITOR—.05 mfd., 120 v., paper CAPACITOR—.01 mfd., 400 v., paper CAPACITOR—.001 mfd., 600 v., paper CAPACITOR—.004 mfd., 600 v., paper CAPACITOR—.005 mfd., 600 v., paper CAPACITOR—.01 mfd., 600 v., paper CAPACITOR—100 mmf., mica RESISTOR—82 ohms, 1/2 w., carbon RESISTOR—120 ohms, 1/2 w., carbon RESISTOR—15,000 ohms, 1/2 w., carbon RESISTOR—18,000 ohms, 1/2 w., carbon RESISTOR—22,000 ohms, 1/2 w., carbon RESISTOR—33,000 ohms, 1/2 w., carbon RESISTOR—100,000 ohms, 1/2 w., carbon RESISTOR—330,000 ohms, 1/2 w., carbon RESISTOR—47,000 ohms, 1/2 w., carbon RESISTOR—68,000 ohms, 1/2 w., carbon RESISTOR—1 meg., 1/2 w., carbon RESISTOR—10 meg., 1/2 w., carbon RESISTOR—15 meg., 1/2 w., carbon RESISTOR—33,000 ohms, 1 w., carbon RESISTOR—270 ohms, 1 w., w.w. RESISTOR—1800 ohms, 2 w., w.w.
CHASSIS COMPONENTS			MOTOR NOISE SUPPRESSION KIT		
RAP-003 RCE-049	C20, 21, 22	PLATE—Speaker mounting plate CAPACITOR—10 mfd., 300 v.; 20 mfd., 350 v., dry electrolytic	RCN-004		CAPACITOR—Ignition coil capacitor, .25 mfd., 200 v. metal case
RCN-007 RCN-008 RCU-279	C24 C9 C6 C17	CAPACITOR—.008 mfd., 1600 v., paper CAPACITOR—.350 mmf., compensator CAPACITOR—.250 mmf., mica CAPACITOR—.250 mmf., mica	RCN-005		CAPACITOR—Voltage regulator capacitor, .5 mfd., 200 v. metal case
RCY-025 RCY-026 RCY-027 RCY-028 RDW-003 REF-002 REM-002 REV-002 RHW-005 RJS-068 RJS-069 RJS-070	C3 C7 C10 C1 S4 C25, 26 V1	TRIMMER—Rf trimmer, 50 mmf. TRIMMER—Detector trimmer, 50 mmf. TRIMMER—Oscillator trimmer, 50 mmf. TRIMMER—Antenna trimmer, 250 mmf. WINDOW—Dial window FUSE—10 amp. line fuse DISC—Spark plate disc VIBRATOR—Nonsynchronous vibrator WASHER—Vibrator cushion washer SOCKET—Foot switch cable plug socket SOCKET—Loktal tube socket SOCKET—Antenna connector and bracket assembly	RCN-006		CAPACITOR—Generator capacitor, 1 mfd., 200 v. metal case
RJS-071 RLC-048 RLC-049 RLI-026 RLI-027 RLI-028 *RNM-027	L7 L8 L10 L1 L9 L2, 3	SOCKET—Vibrator socket COIL—Oscillator series coil COIL—Oscillator shunt coil CHOKE—Vibrator hash choke CHOKE—Antenna motor noise choke CHOKE—Motor noise choke COILS—Antenna and r-f coil (right hand assembly)	RMS-083 RRN-004		SPRING—Motor hood bond spring SUPPRESSOR—Distributor suppressor
*RNM-028	L4, 5	COILS—Oscillator and converter coil (left hand assembly)	KNOB AND INSTALLATION PARTS		
ROE-001	SP1	SPEAKER—6 in. x 9 in. oval dynamic speaker (field coil not replaceable) GASKET—Speaker gasket CONE—Cone and voice coil assembly	RAD-21 RAP-001 RAP-002 RDK-086		BRACKET—Receiver mounting bracket PLATE—Trim plate (Frazer) PLATE—Trim plate (Kaiser) KNOB—Tuning knob, trim knob, and set screw (Kaiser) KNOB—Volume control knob (Frazer) KNOB—Tone control knob KNOB—Volume control knob (Kaiser) KNOB—Tuning knob and set screw assembly (Frazer)
ROG-001 ROX-001 RRC-047	R19, R20, S2	CONTROL—250,000 volume control, 1.5 meg. ohm tone control and power switch (Kaiser)	RDK-087 RDK-088 RDK-089 RDK-090		STUD—Speaker mounting stud NUT—Set mounting wing nut NUT—Speaker mounting wing nut NUT—Trim plate mounting nut BOLT—Mounting bracket bolt SCREW—Receiver mounting bolt, 1/4-20 x 1 in. hex. hd. M. S. steel cadmium plated SPACER—Control knob spacer (Frazer only) KNOB RETAINING SPRING
RRC-048	R2	POTENTIOMETER—800 ohm, sensitivity control	RHM-032 RHN-001 RHN-002 RHN-003 RHS-004 RHS-005		
			RMM-025 RMS-093		

* In ordering, be sure to give color code information.

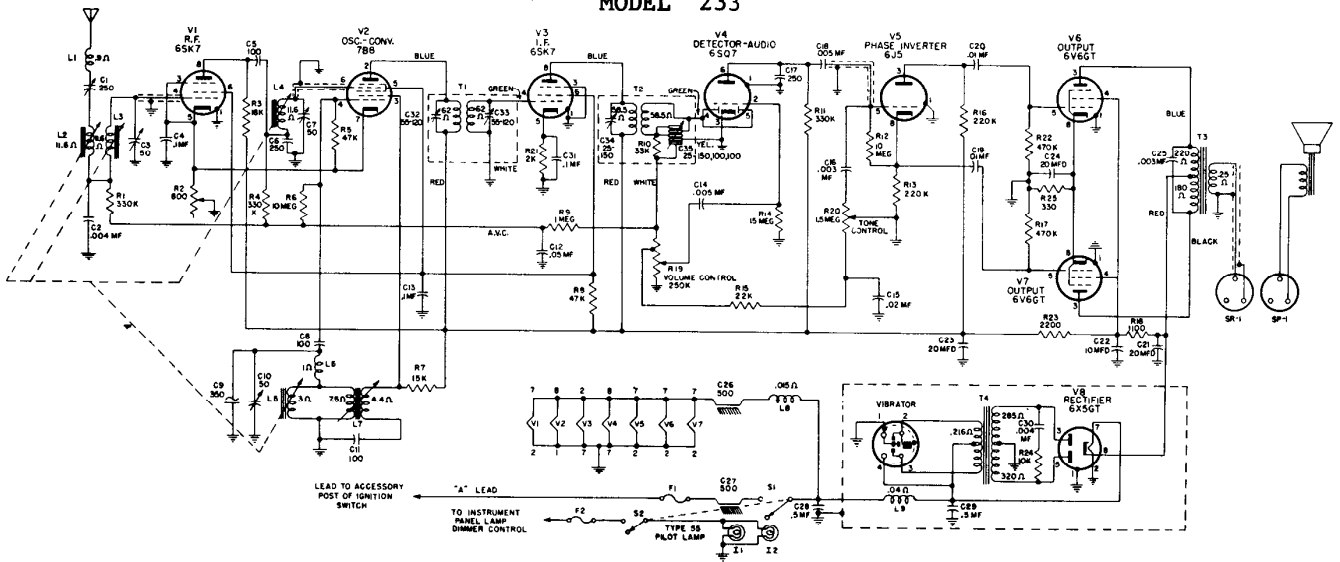
MODEL 231



MODEL 231, see MODEL 230 for
additional parts

Cat. No.	Symbol	Description	Cat. No.	Symbol	Description
RAD-030		BRACKET—Guide rod bracket	RLX-013		COIL—Osc. and conv. (left hand) coil and shield assembly (blue code dot)
RAP-005		PLATE—Protector plate (between solenoid coil and lever mounting plate)	RMB-006		SPACER—Cam spacing bushing, on turret shaft, $\frac{3}{16}$ inches
REI-008		CORE—Slug tuning core and adjusting spring (red code dot)	RMB-007		SPACER—Cam spacing bushing, on turret shaft, $\frac{1}{2}$ inch
REI-009		CORE—Slug tuning core and adjusting spring (green code dot)	RMC-020		CAM—Dial indicator cam
REI-010		CORE—Slug tuning core and adjusting spring (yellow code dot)	RMD-001		DISC—Indexing disc
REI-011		CORE—Slug tuning core and adjusting spring (blue code dot)	RMG-006		GEAR—Ratchet gear
RHH-005		TURRET SCREW LOCK RING	RML-011		MOUNTING PLATE AND LEVER ASSEMBLY
RHH-006		WASHER—Retaining washer on turret shaft	RMM-026		CROSS-ARM ASSEMBLY
RHS-013		TURRET SCREW (MANUAL)	RMM-029		SPACER—Gear and disc spacer
RHS-014		TURRET SCREW (AUTOMATIC)	RMM-048		TURRET STOP (AUTOMATIC)
RJP-016		BRACKET—Solenoid, plug, and bracket assembly	RMM-049		TURRET STOP (MANUAL)
RLS-001		SOLENOID AND TERMINAL ASSEMBLY	RMR-005		RATCHET AND BRACKET ASSEMBLY
RLX-006		COIL—Ant. and r.f. (right hand) coil and shield assembly (red code dot)	RMS-084		SPRING—Gear indexing spring
RLX-007		COIL—Ant. and r.f. (right hand) coil and shield assembly (green code dot)	RMS-085		SPRING—Cross-arm return spring
RLX-008		COIL—Ant. and r.f. (right hand) coil and shield assembly (yellow code dot)	RMS-086		SPRING—Cam lever spring
RLX-009		COIL—Ant. and r.f. (right hand) coil and shield assembly (blue code dot)	RMS-087		SPRING—Ratchet gear return spring
RLX-010		COIL—Osc. and conv. (left hand) coil and shield assembly (red code dot)	RMS-088		SPRING—Lever spring
RLX-011		COIL—Osc. and conv. (left hand) coil and shield assembly (green code dot)	RMS-089		SPRING—Kick-off spring
RLX-012		COIL—Osc. and conv. (left hand) coil and shield assembly (yellow code dot)	RMS-090		SPRING—Tuning shaft spring
			RMU-025		SHAFT—Tuning shaft and gear assembly
			RMU-026		ROD—Guide rod
			RMX-085		TURRET—Turret assembly

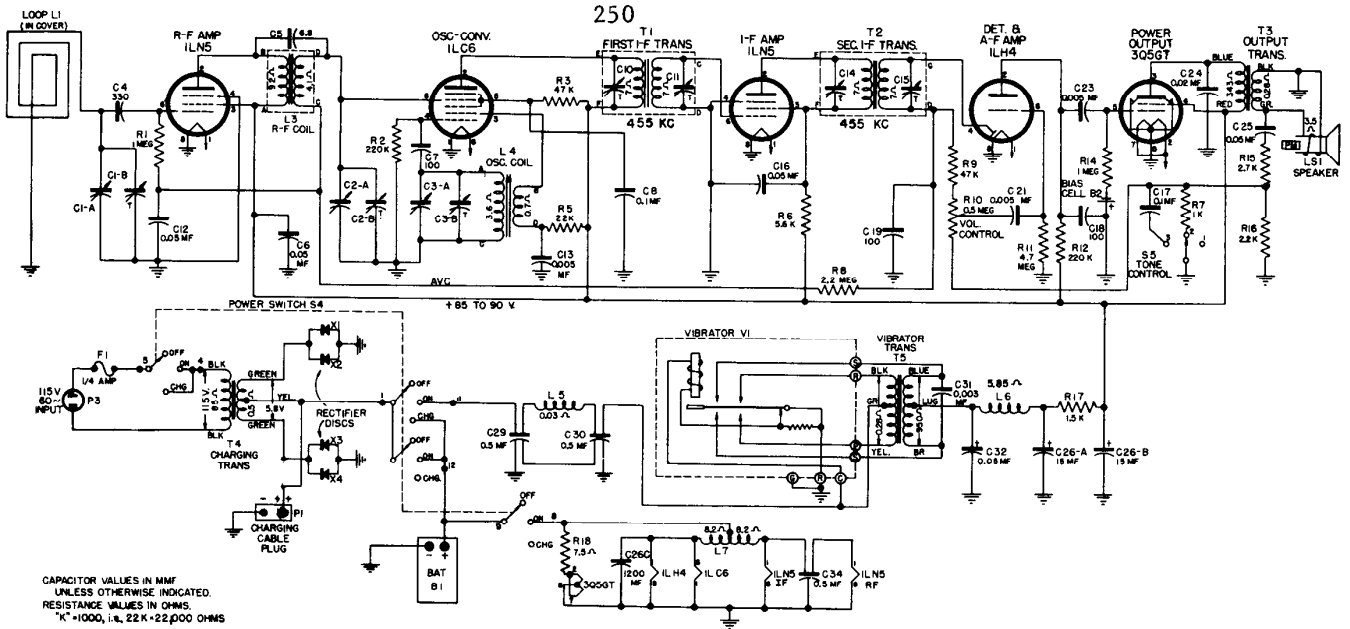
MODEL 233



233 REPLACEMENT PARTS LIST

PURCHASE PARTS FROM NEAREST GENERAL ELECTRIC WHOLESALE DISTRIBUTOR

Cat. No.	Symbol	Description	Suggested Unit List Price	Cat. No.	Symbol	Description	Suggested Unit List Price
UNIVERSAL REPLACEMENT PARTS				SPECIALIZED REPLACEMENT PARTS (Cont'd)			
UCC-623	C16	CAPACITOR—.003 mf., 600 v., paper	\$0.25	RDK-145		KNOB—Tone control knob	\$1.15
UCC-625	C14, 18	CAPACITOR—.005 mf., 600 v., paper	.25	RDK-146		KNOB—Volume control knob	.20
UCC-630	C19, 20	CAPACITOR—.01 mf., 600 v., paper	.30	RDK-147		KNOB—Tuning control knob	.70
UCC-631	C15	CAPACITOR—.02 mf., 600 v., paper	.30	RDP-043		POINTER—Dial scale pointer	.25
UCC-635	C12	CAPACITOR—.05 mf., 600 v., paper	.40	RDS-079		DIAL SCALE	1.80
UCC-640	C4, 19, 20, 31	CAPACITOR—.1 mf., 600 v., paper	.45	RDW-011		WINDOW—Dial scale window	.30
UCC-645	C28, 29	CAPACITOR—.5 mf., 600 v., paper	.80	RDX-042		PUSHBUTTON—Pushbutton with retaining spring	.25
UCU-1028	C5	CAPACITOR—100 mmf., 600 V., mica	.25	*REI-020		CORE—Tuning core (coded red)	.40
URD-077	R7	RESISTOR—15,000 ohms, ½ w., carbon	.13	*REI-021		CORE—Tuning core (coded green)	.40
URD-079	R3	RESISTOR—18,000 ohms, ½ w., carbon	.13	*REI-022		CORE—Tuning core (coded yellow)	.40
URD-081	R15	RESISTOR—22,000 ohms, ½ w., carbon	.13	*REI-023		CORE—Tuning core (coded blue)	.40
URD-089	R5	RESISTOR—47,000 ohms, ½ w., carbon	.13	REV-002		VIBRATOR	4.10
URD-105	R13, 16	RESISTOR—220,000 ohms, ½ w., carbon	.13	RII-015		INSULATOR—Textolite strip insulator for tuning core stem support	.10
URD-109	R1, 4, 11	RESISTOR—330,000 ohms, ½ w., carbon	.13	RIS-002		LIGHT SHIELD—Rubber strip (channeled) used as dial light barrier	.35
URD-113	R17, 22	RESISTOR—470,000 ohms, ½ w., carbon	.13	RJS-015		SOCKET—Octal socket for 6SK7, 6AQ7, 6J5, 6V6GT, and 6X5GT tubes	.20
URD-121	R9	RESISTOR—1 meg., ½ w., carbon	.13	RJS-069		SOCKET—Loktal socket for 7B8 tube	.25
URD-145	R6, 12	RESISTOR—10 meg., ½ w., carbon	.13	RJS-071		SOCKET—Vibrator socket	.25
URD-1056	R21	RESISTOR—2,000 ohms, ½ w., carbon	.17	RJS-121		SOCKET—Antenna connector socket	.20
URE-057	R23	RESISTOR—2,200 ohms, 1 w., carbon	.17	RJS-122		SOCKET—Dial lamp socket and leads	.40
URE-073	R24	RESISTOR—10,000 ohms, 1 w., carbon	.17	RJX-024		SOCKET AND CABLE—Speaker socket and cable	.90
URE-089	R8	RESISTOR—47,000 ohms, 1 w., carbon	.17	RJX-025		CABLE ASSEMBLY—Cable and fuse ferrule (lead to instrument light control)	.80
URE-1050	R18	RESISTOR—1,100 ohms, 1 w., carbon	.23	RKP-005		INSTALLATION KIT—Knobs, mounting hardware, ignition and noise filter components, etc.	4.35
URF-037	R25	RESISTOR—330 ohms, 1 w., carbon	.25	RLC-048	L6	COIL—Oscillator series coil	.60
				RLC-079	L7	COIL—Oscillator shunt coil	1.75
				RLI-063	L1	CHOKE—Antenna noise choke coil	.55
				RLI-064	L8	CHOKE—Motor noise choke coil	.60
				*RLX-017	L2, 3	COIL—Antenna and r-f coil in shield assembly (coded red)	4.30
				*RLX-018	L2, 3	COIL—Antenna and r-f coil in shield assembly (coded green)	4.30
				*RLX-019	L2, 3	COIL—Antenna and r-f coil in shield assembly (coded yellow)	4.30
				*RLX-020	L2, 3	COIL—Antenna and r-f coil in shield assembly (coded blue)	4.30
				*RLX-021	L4, 5	COIL—Oscillator and converter coil in shield assembly (coded red)	3.90
				*RLX-022	L4, 5	COIL—Oscillator and converter coil in shield assembly (coded green)	3.90
				*RLX-023	L4, 5	COIL—Oscillator and converter coil in shield assembly (coded yellow)	3.90
				*RLX-024	L4, 5	COIL—Oscillator and converter coil in shield assembly (coded blue)	3.90
				RMM-083		NUT—Special, fits over control shaft bushings for mounting	.10
				RMS-083		SPRING—Contact spring for motor compartment hood bonding	.10
				ROE-001		SPEAKER—6 x 9 inches, oval, PM	10.75
				RRC-048	R2	POTENTIOMETER—0-800 ohms (Sensitivity control)	.50
				RRC-093	R19, 20, S1, 2	POTENTIOMETER AND SWITCH—250,000 and 1.5 meg. dual (Volume, Tone, and On-Off controls)	2.95
				RRD-1014	R14	RESISTOR—15 meg., ½ w., carbon	.13
				RRN-004		DISTRIBUTOR SUPPRESSOR	.36
				RTL-086	T1	TRANSFORMER—1st I-F transformer	2.20
				RTL-087	T2	TRANSFORMER—2nd I-F transformer	2.55
				RTQ-056	T3	TRANSFORMER—Audio output transformer	2.85
				RTP-065	T4	TRANSFORMER—Power transformer	7.25
				RWX-013		CABLE ASSEMBLY—Cable and fuse ferrule (lead to ignition switch)	.85
SPECIALIZED REPLACEMENT PARTS							
RAC-054		COVER—For vibrator power supply compartment	\$0.25				
RAP-009		PLATE—Mounting plate for centering volume control	.05				
RAP-010		PLATE—Backing plate for dial scale	.45				
RAP-011		PLATE—Backing plate for dial window	.35				
RCC-092	C25	CAPACITOR—.003 mf., 1600 v., paper	.40				
RCC-093	C30	CAPACITOR—.004 mf., 1600 v., paper	.45				
RCE-075	C21, 22, 23, 24	CAPACITOR—20 mf., 350 v.; 10 mf., 300 v.; 20 mf., 300 v.; 20 mf., 25 v.; electrolytic	3.45				
RCN-004		CAPACITOR—For ignition coil noise suppression	.85				
RCN-005		CAPACITOR—For voltage regulator noise suppression	.75				
RCN-006		CAPACITOR—For auto battery generator noise suppression	1.00				
RCN-008	C9	CAPACITOR—350 mmf., compensator	.55				
RCU-190	C2	CAPACITOR—.004 mf., 600 v., mica	.75				
RCU-279	C6, 17	CAPACITOR—250 mmf., 600 v., mica	.25				
RCU-283	C5	CAPACITOR—.001 mf., 600 v., mica	.30				
RCU-284	C8	CAPACITOR—100 mmf., 600 v., mica	.25				
RCY-028	C1	TRIMMER—250 mmf., antenna trimmer	.50				
RCY-050	C3, 7, 10	TRIMMER STRIP—30 mmf., 50 mmf., 50 mmf., r-f, conv., and osc. trimmers	1.30				
RDE-033		ESUTCHEON—Dial scale window escutcheon	.50				

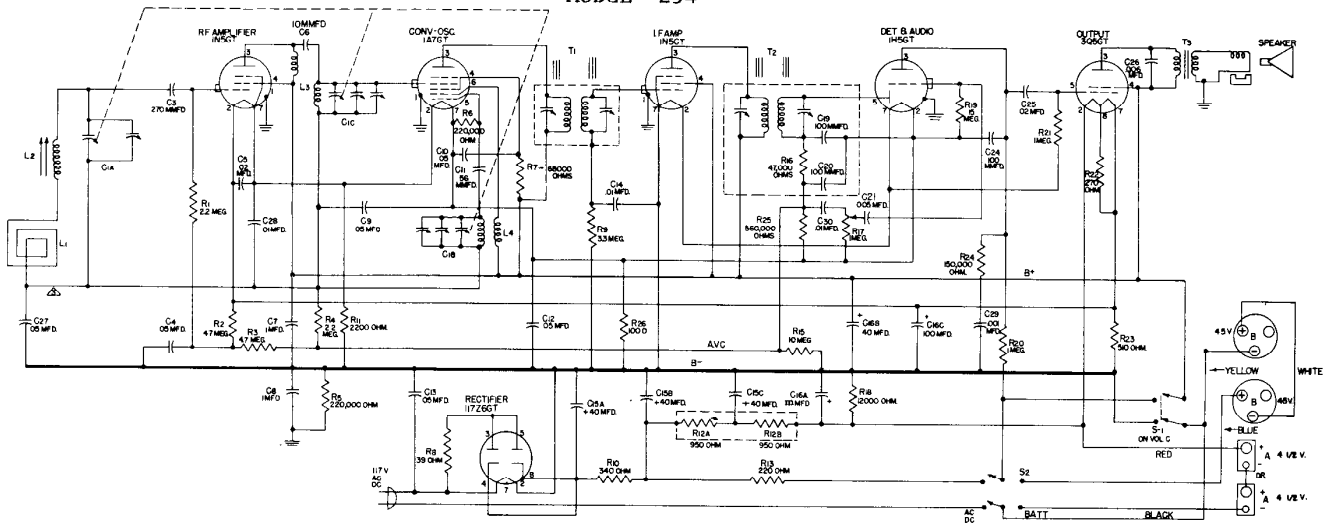


CAPACITOR VALUES IN MMF
UNLESS OTHERWISE INDICATED.
RESISTANCE VALUES IN OHMS.
"K" = 1000, i.e., 22K = 22,000 OHMS

REPLACEMENT PARTS LIST MODEL 250

CAT. NO.	SYMBOL	DESCRIPTION	CAT. NO.	SYMBOL	DESCRIPTION
UNIVERSAL G-E REPLACEMENT PARTS LIST			SPECIALIZED G-E REPLACEMENT PARTS		
UCC-030	C8, 17	CAPACITOR—0.1 mf., 400 v., paper	RCE-007	C26A, B, C	CAPACITOR—15 mf., 150 v.; 15 mf., 150 v.; 1200 mf., 1.5 v. electrolytic
UCC-039	C13, 21, 23	CAPACITOR—0.005 mf., 600 v., paper	RCT-008	C1A, B, 2A, B, 3A, B	CONDENSER—Tuning condenser and trimmers
UCC-041	C24	CAPACITOR—0.02 mf., 600 v., paper	RDC-007		CORD—Drive cord and tension spring
UCN-506	C5	CAPACITOR—6.8 mmf., ceramic	RDE-006		ESCUTCHEON—Dial scale escutcheon
UCU-028	C7, 18, 19	CAPACITOR—100 mmf., mica	RDK-020		KNOB—Control knob (plain)
UCU-040	C4	CAPACITOR—330 mmf., mica	RDK-021		KNOB—Control knob (pointer)
UOP-009	LS1	LOUDSPEAKER—5 1/4-inch PM speaker	RDP-008		POINTER—Dial pointer assembly
URD-049	R7	RESISTOR—1,000 ohms, 1/2 w., carbon	RDS-013		SCALE—Dial scale
URD-057	R16	RESISTOR—2,200 ohms, 1/2 w., carbon	REF-001	F1	FUSE—1/4-amp. fuse, Type 3AG
URD-059	R15	RESISTOR—2,700 ohms, 1/2 w., carbon	REU-001	V1	VIBRATOR—Vibrator unit
URD-067	R6	RESISTOR—5,600 ohms, 1/2 w., carbon	REX-001	X1, 2, 3, 4	RECTIFIER—Copper-oxide rectifier assembly
URD-081	R5	RESISTOR—22,000 ohms, 1/2 w., carbon	RHF-001		FOOT—Cabinet foot
URD-089	R3, 9	RESISTOR—47,000 ohms, 1/2 w., carbon	RHK-001		KNOB—Cover lock knob
URD-105	R2, 12	RESISTOR—220,000 ohms, 1/2 w., carbon	RHQ-002		TUBE—Battery vent tube
URD-121	R1, 14	RESISTOR—1 meg., 1/2 w., carbon	RHX-003		HARDWARE—Tuning condenser mtg. hardware
URD-129	R8	RESISTOR—2.2 meg., 1/2 w., carbon	RIG-001		GASKET—Dial scale gasket
URD-137	R11	RESISTOR—4.7 meg., 1/2 w., carbon	RJS-019		SOCKET—Vibrator socket
URE-053	R17	RESISTOR—1,500 ohms, 1 w., carbon	RJS-020		SOCKET—Loktal tube socket
SPECIALIZED G-E REPLACEMENT PARTS			RJS-021		PLATE—Electrolytic capacitor mounting plate
RAC-002		COVER—Battery compartment cover	RJS-026		SOCKET—Octal base tube socket
RAC-003		COVER—Power supply compartment cover	RJW-001		HOLDER—Fuse holder
RAC-006		COVER—Case back cover (brown)	RLB-002	L3	COIL—R-f coil
RAC-007		COVER—Case back cover (gray)	RLC-008	L4	COIL—Oscillator coil
RAC-010		COVER—Case left end cover (brown)	RLF-001	L5, 6	CHOKE—Vibrator and B + choke
RAC-011		COVER—Case left end cover (gray)	RLF-002	L7	CHOKE—Filament choke
RAC-012		COVER—Case right end cover (brown)	RLI-008	L1	BEAM-A-SCOPE—Loop antenna assembly (in cover)
RAC-013		COVER—Case right end cover (gray)	RMC-008		CAM—Cover lock mechanism cam
RAG-002		COVER—Case front and grille (brown)	RMC-009		CATCH—Cover lock mechanism catch
RAG-003		COVER—Case front and grille (gray)	RMU-010		SHAFT—Tuning shaft
RAI-001		BRACE—Case cover brace assembly (brown)	RMW-004		PULLEY—Pulley and stud (small pulley)
RAI-002		BRACE—Case cover brace assembly (gray)	RMW-009		PULLEY—Pulley and stud (large pulley)
RAX-004		COVER—Case cover assembly (brown)	RMX-013		CATCH—Battery case catch
RAX-005		ASSEMBLY—Cover stay arm assembly	RRC-008	R10	VOLUME CONTROL—0.5 meg., potentiometer
RAX-006		COVER—Case cover assembly (gray)	RRG-001	R18	RESISTOR—7.5 ohms, 1/2 w., carbon
RBC-001	B2	CELL—Bias cell	RSW-009	S4	SWITCH—Power selector switch
RCC-028	C6, 12, 16, 25, 32	CAPACITOR—0.05 mf., 400 v., paper	RSW-010	S5	SWITCH—Tone selector switch
RCC-069	C34	CAPACITOR—0.5 mf., 120 v., paper	RTC-001	T4	TRANSFORMER—Rectifier transformer
RCC-070	C29, 30	CAPACITOR—0.5 mf., 120 v., paper	RTL-011	T1	TRANSFORMER—1st i-f transformer
RCC-073	C31	CAPACITOR—0.003 mf., 1500 v., paper	RTL-012	T2	TRANSFORMER—2nd i-f transformer
REX-001		Rectifier	RTO-007	T3	TRANSFORMER—Output transformer
RAC-018		Cover (grey)	RTV-001	T5	TRANSFORMER—Vibrator transformer
RAC-019		Cover (bl.-gr.)	RWL-005	P3	PLUG—Power cord and plug
RAC-020		Cover (copper)	RHY-002		Handle (grey)
RAC-021		Cover (Right end) (grey)	RHY-003		Handle (grey)
RAC-022		Cover (Right end) (bl.-gr.)	RHY-004		Handle (bl.-gr.)
RAC-023		Cover (Right end) (copper)	RHY-005		Handle (copper)
RAC-024		Cover (Left end) (grey)	RMC-025		Bias Clamp
RAC-025		Cover (Left end) (bl.-gr.)	RAX-011		Top Cover (grey)
RAC-026		Cover (Left end) (copper)	RAX-012		Top Cover (bl.-gr.)
RAG-010		Grille (grey)	RAX-013		Top Cover (copper)
RAG-011		Grille (bl.-gr.)	RHK-002		Lock Knob (grey)
RAG-012		Grille (copper)	RHK-003		Lock Knob (grey)
RHY-001		Handle (brown)	RHK-004		Lock Knob (bl. gr.)
			RHK-005		Lock Knob (copper)
			RAI-004		Assem. (grey)
			RAI-005		Assem. (bl. gr.)
			RAI-006		Assem. (copper)

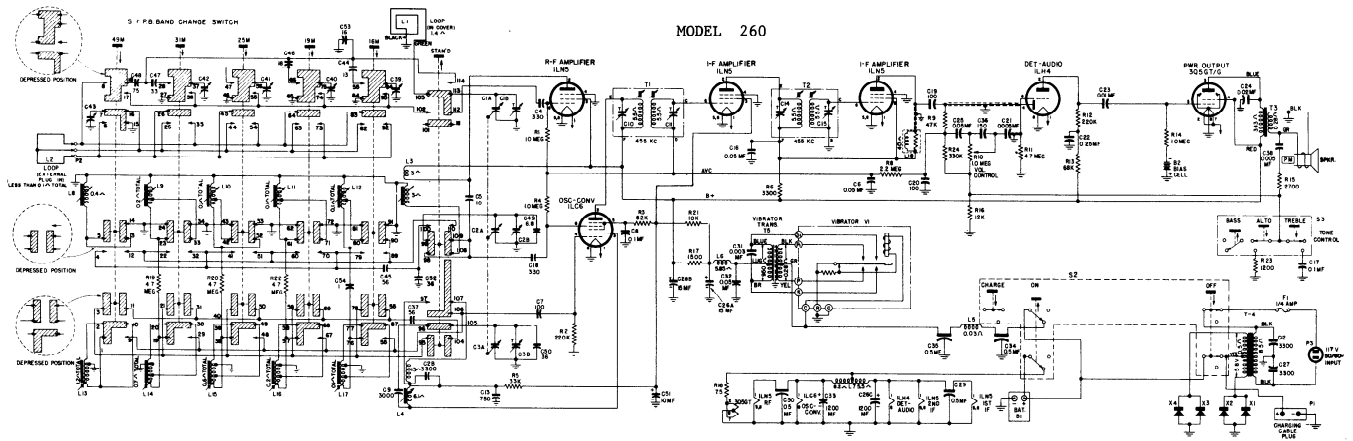
MODEL 254



REPLACEMENT PARTS LIST—MODEL 254

CAT. NO.	SYMBOL	DESCRIPTION	CAT. NO.	SYMBOL	DESCRIPTION
UNIVERSAL REPLACEMENT PARTS			SPECIALIZED REPLACEMENT PARTS (CONT'D)		
UCC-018	C29	CAPACITOR—0.001 mfd., 400 v., paper	SCE-021	C15A, B, C	CAPACITOR—40 mf., 150 v.; 40 mf., 150 v.; 40 mf., 150 v.; electrolytic
UCC-025	C14, 28, 30	CAPACITOR—0.01 mfd., 400 v., paper	SCT-010	C1A, B, C	CONDENSER—Tuning condenser, pulley, and trimmers
UCC-030	C7, 8	CAPACITOR—0.1 mfd., 400 v., paper	SDC-002		CORD—Dial cord
UCC-039	C21, 26	CAPACITOR—0.005 mfd., 400 v., paper	SDK-036		KNOB—Control knob
UCC-041	C5, 25	CAPACITOR—0.02 mfd., 600 v., paper	SDP-003		POINTER—Dial pointer
UCC-045	C4, 9, 10, 12, 13, 27	CAPACITOR—0.05 mfd., 600 v., paper	SDS-012		SCALE—Dial scale
UCU-1004	C6	CAPACITOR—10 mmfd., 500 v., mica	SDW-003		WINDOW—Dial scale window
UCU-1022	C11	CAPACITOR—56 mmfd., 500 v., mica	SDX-006		DRIVE—Dial drive assembly
UCU-1028	C24	CAPACITOR—100 mmfd., 500 v., mica	SJJ-009		CONNECTOR—Female speaker connector
UCU-1038	C3	CAPACITOR—270 mmfd., 500 v., mica	SJJ-010		CONNECTOR—Female antenna connector
UOP-546		LOUDSPEAKER—5¼-inch PM speaker	SJP-007		CONNECTOR—Male 2-contact "A" battery connector
UOX-008		CONE—Replacement cone	SJP-008		CONNECTOR—Male 3-contact "B" battery connector
URD-049	R26	RESISTOR—1000 ohms, ½ w., carbon	SJP-009		CONNECTOR—Male speaker connector, 4-contact
URD-057	R11	RESISTOR—2200 ohms, ½ w., carbon	SJS-031		SOCKET—Octal tube socket
URD-093	R7	RESISTOR—68,000 ohms, ½ w., carbon	SJS-035		SOCKET—Octal tube socket
URD-101	R24	RESISTOR—150,000 ohms, ½ w., carbon	SLA-002	L2	COIL—Antenna loading coil
URD-105	R5, 6	RESISTOR—220,000 ohms, ½ w., carbon	SLB-002	L3	COIL—R-F transformer
URD-113	R25	RESISTOR—470,000 ohms, ½ w., carbon	SLC-011	L4	COIL—Oscillator coil
URD-121	R20, 21	RESISTOR—1 meg., ½ w., carbon	SLL-003	L1	BEAM-A-SCOPE—Loop antenna assembly
URD-129	R1, 4	RESISTOR—2.2 meg., ½ w., carbon	SMS-012		SPRING—Dial cord spring
URD-133	R9	RESISTOR—3.3 meg., ½ w., carbon	SMS-013		SPRING—Indicator spring
URD-137	R2, 3	RESISTOR—4.7 meg., ½ w., carbon	SMX-014		TRIGGER—Trigger bushing assembly
URD-145	R15	RESISTOR—10 meg., ½ w., carbon	SRC-044	R17, S1	VOLUME CONTROL—1.0 meg., potentiometer and switch
URD-149	R19	RESISTOR—15 meg., ½ w., carbon	SRW-024	R12A, B	RESISTOR—1900 ohms, CT, 5 w., w.w.
URE-033	R13	RESISTOR—200 ohms, 1 w., carbon	SRW-025	R8	RESISTOR—39 ohms, 5 w., w.w.
URE-035	R22	RESISTOR—270 ohms, 1 w., carbon	SRW-026	R10	RESISTOR—340 ohms, 5 w., w.w.
URE-1042	R23	RESISTOR—510 ohms, 1 w., carbon	SSS-009	S2	SWITCH—Battery-line selector slide switch
URF-075	R18	RESISTOR—12,000 ohms, 2 w., carbon	STL-009	T1	TRANSFORMER—1st I-F transformer
			STL-010	T2	TRANSFORMER—2nd I-F transformer
			STO-007	T3	TRANSFORMER—Output transformer
			SWL-006		CORD—Power cord
SPECIALIZED REPLACEMENT PARTS					
SAT-001		CABINET—Tan finish cabinet			
SCE-020	C16A, B, C	CAPACITOR—20 mf., 150 v.; 40 mf., 150 v.; 100 mf., 50 v.; electrolytic			

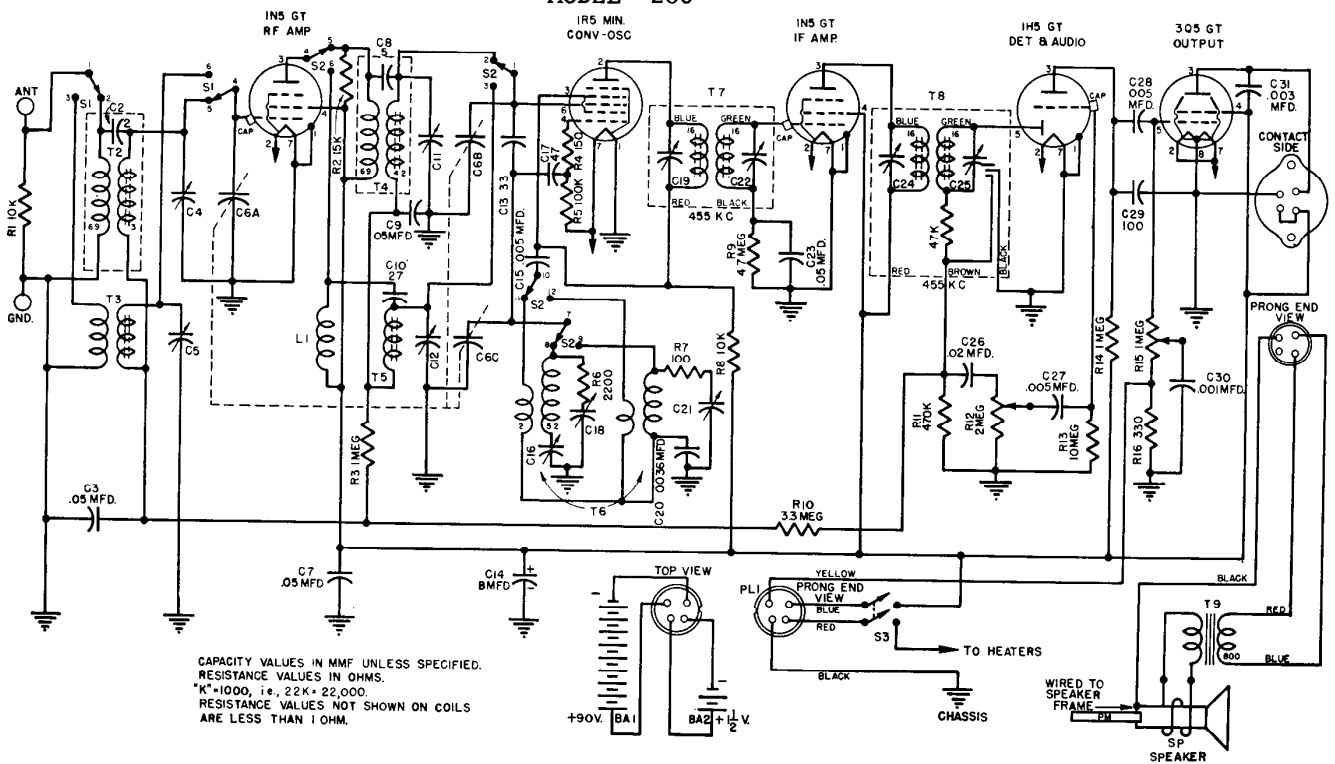
MODEL 260



REPLACEMENT PARTS LIST—MODEL 260

Part No.	Symbol	Description	Part No.	Symbol	Description
UNIVERSAL REPLACEMENT PARTS			SPECIALIZED REPLACEMENT PARTS (Cont'd)		
UCC-030	C8, 17	CAPACITOR—1 mfd., 400 v., paper	RAX-012		COVER—Top cover (Hammer-tone blue-green)
UCC-032	C22	CAPACITOR—25 mfd., 400 v., paper	RAX-013		COVER—Top cover (Hammer-tone copper)
UCC-039	C21, 38	CAPACITOR—.005 mfd., 600 v., paper	RBC-001	B2	CELL—Bias cell assembly
UCC-040	C23	CAPACITOR—.01 mfd., 600 v., paper	RCC-068	C30	CAPACITOR—.05 mfd., 120 v., paper
UCC-041	C24	CAPACITOR—.02 mfd., 600 v., paper	RCC-069	C29	CAPACITOR—.05 mfd., 120 v., paper
UCC-048	C6, 16, 25, 32	CAPACITOR—.05 mfd., 400 v., paper	RCC-070	C34, 35	CAPACITOR—.05 mfd., 120 v., paper
UCG-3049	C13	CAPACITOR—750 mmf., silver mica	RCC-073	C31	CAPACITOR—.003 mfd., 1500 v., paper
UCN-501	C54	CAPACITOR—1.0 mmf., ceramic	RCE-007	C26A, B, C	CAPACITOR—15 mfd., 150 v.; 15 mfd., 150 v.; 1200 mfd., 1.5 v.; dry electrolytic
UCN-2506	C49	CAPACITOR—6.8 mmf., ceramic	RCE-015	C51	CAPACITOR—10 mfd., 150 v., dry electrolytic
UCU-028	C19, 20	CAPACITOR—100 mmf., mica	RCE-016	C33	CAPACITOR—1200 mfd., 1.5 v., dry electrolytic
UCU-064	C12, 27, 28	CAPACITOR—3300 mmf., mica	RCT-011	C1A, B; C2A, B; C3A, B	CONDENSER—Tuning condenser and trimmers
UCU-1032	C36	CAPACITOR—150 mmf., mica			
UCU-1040	C4, 18	CAPACITOR—330 mmf., mica	RCW-062	C7	CAPACITOR—100 mmf., ceramic
UCU-2563	C9	CAPACITOR—3000 mmf., mica	RXY-012	C39, 40, 41, C42, 43	TRIMMER STRIP—Antenna trimmer strip
UCW-1094	C5	CAPACITOR—10 mmf., ceramic	RDB-005		PUSH BUTTON—Single push button
UCW-2007	C44	CAPACITOR—13 mmf., ceramic	RDC-011		ASSEMBLY—Dial cord and spring
UCW-2009	C53	CAPACITOR—16 mmf., ceramic	RDE-009		ESCUTCHEON—Main dial escutcheon
UCW-2010	C46	CAPACITOR—18 mmf., ceramic	RDE-020		KNOB—Tuning knob
UCW-2016	C47	CAPACITOR—33 mmf., ceramic	RDE-033		KNOB—Volume control knob
UCW-2017	C50, 52	CAPACITOR—36 mmf., ceramic	RDP-013		POINTER—Dial pointer assembly
UCW-2022	C37, 45	CAPACITOR—56 mmf., ceramic	RDS-019		SCALE—Dial scale
UCW-2025	C48	CAPACITOR—75 mmf., ceramic	RDX-017		PUSH BUTTON—Charge-Tone push button and escutcheon assembly
UIC-001		CEMENT—Cement for speaker cone replacement	RDX-018		PUSH BUTTON—Band selector push button and escutcheon assembly
UIC-002		THINNER—Speaker cement thinner	RDX-022		SWITCH—Push button band switch assembly
UOP-545	SPKR	SPEAKER—5 1/4-in. P.M. speaker	REF-001	S1	FUSE—1/4 amp. fuse, Type JAG-1/4
UOX-006		CONE—Replacement cone kit	REV-001	V1	VIBRATOR—Vibrator unit
URD-051	R23	RESISTOR—1200 ohms, 1/2 w., carbon	REX-001	X1, 2, 3, 4	RECTIFIER—Copper oxide rectifier assembly
URD-059	R15	RESISTOR—2700 ohms, 1/2 w., carbon	RHF-001		FOOT—Cabinet foot
URD-061	R6	RESISTOR—3300 ohms, 1/2 w., carbon	RHK-001		KNOB—Lock mechanism (crinkle brown)
URD-073	R21	RESISTOR—10,000 ohms, 1/2 w., carbon	RHK-002		KNOB—Lock mechanism (crinkle grey)
URD-075	R16	RESISTOR—12,000 ohms, 1/2 w., carbon	RHK-003		KNOB—Lock mechanism (Hammer-tone grey)
URD-085	R5	RESISTOR—33,000 ohms, 1/2 w., carbon	RHK-004		KNOB—Lock mechanism (Hammer-tone blue-green)
URD-089	R9	RESISTOR—47,000 ohms, 1/2 w., carbon	RHX-005		KNOB—Lock mechanism (Hammer-tone copper)
URD-093	R13	RESISTOR—68,000 ohms, 1/2 w., carbon	RHY-001		HARDWARE—Tuning condenser mounting hardware
URD-095	R3	RESISTOR—82,000 ohms, 1/2 w., carbon	RHY-002		STUD—Handle stud and cotter
URD-105	R2, 12	RESISTOR—220,000 ohms, 1/2 w., carbon	RHY-003		HANDLE—Case cover handle (crinkle brown)
URD-109	R24	RESISTOR—330,000 ohms, 1/2 w., carbon	RHY-004		HANDLE—Case cover handle (crinkle grey)
URD-121	R1, 4, 14	RESISTOR—1.0 meg., 1/2 w., carbon	RHY-005		HANDLE—Case cover handle (Hammer-tone grey)
URD-129	R8	RESISTOR—2.2 meg., 1/2 w., carbon	RIG-001		HANDLE—Case cover handle (Hammer-tone blue-green)
URD-137	R11, 19, R20, 22	RESISTOR—4.7 meg., 1/2 w., carbon	RIB-004		HANDLE—Case cover handle (Hammer-tone copper)
URE-053	R17	RESISTOR—1500 ohms, 1 w., carbon	RIP-014	P2	GASKET—Dial scale gasket
SPECIALIZED REPLACEMENT PARTS			RIS-019		BOARD—Loop antenna terminal board
RAC-002		COVER—Battery compartment cover	RJS-020		PLUG—Battery terminal contact pins
RAC-003		COVER—Power supply compartment cover	RJS-021		SOCKET—Vibrator socket
RAC-006		COVER—Case back cover (crinkle brown)	RJS-026		SOCKET—Loktal base tube socket
RAC-007		COVER—Case back cover (crinkle grey)	RJW-001		SOCKET—Electrolytic mounting plate socket
RAC-008		COVER—Case right end cover (crinkle brown)	RLB-011	L3	SOCKET—Octal base tube socket
RAC-009		COVER—Case right end cover (crinkle grey)	RLB-012	L8	HOLDER—Fuse holder
RAC-012		COVER—Case left end cover (crinkle brown)	RLB-013	L9	COIL—Broadcast RF coil
RAC-013		COVER—Case left end cover (crinkle grey)	RLB-014	L10	COIL—RF coil, 49 meter
RAC-018		COVER—Back cover (Hammer-tone grey)	RLB-015	L11	COIL—RF coil, 31 meter
RAC-019		COVER—Back cover (Hammer-tone blue-green)	RLB-016	L12	COIL—RF coil, 25 meter
RAC-020		COVER—Back cover (Hammer-tone copper)	RLC-018	L4	COIL—RF coil, 19 meter
RAC-024		COVER—Left end cover (Hammer-tone grey)	RLC-035	L13	COIL—RF coil, 16 meter
RAC-025		COVER—Left end cover (Hammer-tone blue-green)	RLC-036	L14	COIL—Broadcast oscillator coil
RAC-026		COVER—Left end cover (Hammer-tone copper)	RLC-037	L15	COIL—Oscillator coil, 49 meter
RAC-030		COVER—Right end cover (Hammer-tone grey)	RLC-038	L16	COIL—Oscillator coil, 31 meter
RAC-031		COVER—Right end cover (Hammer-tone blue-green)	RLC-039	L17	COIL—Oscillator coil, 25 meter
RAC-032		COVER—Right end cover (Hammer-tone copper)	RLF-001	L5 and 6	COIL—Oscillator coil, 19 meter
RAC-036		COVER—Antenna plug (crinkle brown)	RLF-004	L7	COIL—Oscillator coil, 16 meter
RAC-037		COVER—Antenna plug (crinkle grey)	RLL-007	L2	CHOKES—Vibrator and B+ chokes
RAC-038		COVER—Antenna plug (Hammer-tone grey)	RLL-012	L1	CHOKES—Filament choke
RAC-039		COVER—Antenna plug (Hammer-tone blue-green)	RLL-019	L1	BEAM-A-SCOPE—SW band loop antenna (external)
RAC-040		COVER—Antenna plug (Hammer-tone copper)	RLL-020	L1	BEAM-A-SCOPE—"B" band loop in cover (crinkle brown)
RAC-041		COVER—Trimmer cover (crinkle brown)	RLL-021	L1	BEAM-A-SCOPE—"B" band loop in cover (crinkle grey)
RAC-042		COVER—Trimmer cover (crinkle grey)	RLL-022	L1	BEAM-A-SCOPE—"B" band loop in cover (Hammer-tone grey)
RAC-043		COVER—Trimmer cover (Hammer-tone grey)	RLP-009	L18	BEAM-A-SCOPE—"B" band loop in cover (Hammer-tone blue-green)
RAC-044		COVER—Trimmer cover (Hammer-tone blue-green)	RMC-008		BEAM-A-SCOPE—"B" band loop in cover (Hammer-tone copper)
RAC-045		COVER—Trimmer cover (Hammer-tone copper)	RMU-013		CHOKES—I-f plate choke
RAG-005		COVER—Case front and grille cover (crinkle brown)	RMW-004		CAM—Cover lock mechanism cam
RAG-006		COVER—Case front and grille cover (crinkle grey)	RMX-013		CATCH—Cover lock mechanism catch
RAG-013		COVER—Case front and grille cover (Hammer-tone grey)	RMX-020		SHAFT—Tuning shaft and retainer ring
RAG-014		COVER—Case front and grille cover (Hammer-tone blue-green)	RMX-082		PULLEY—Dial drive pulley (small), and stud
RAG-015		COVER—Case front and grille cover (Hammer-tone copper)	RMX-083		PULLEY—Dial drive pulley (large), and stud
RAI-001		BRACE—Cover brace assembly, supports hinge (crinkle brown)	RRC-015		CATCH—Battery compartment cover catch
RAI-002		BRACE—Cover brace assembly, supports hinge (crinkle grey)	RRW-018	R10	CHAIN—Trimmer cover chain
RAI-004		BRACE—Cover brace assembly, supports cover (Hammer-tone grey)	RSP-003	S2 and 3	CATCH—Spring catch for rear cabinet cover
RAI-005		BRACE—Cover brace assembly, supports cover (Hammer-tone blue-green)	RTC-001		TUBE—Vent tube and casing
RAI-006		BRACE—Cover brace assembly, supports cover (Hammer-tone copper)	RTL-028		VOLUME CONTROL—1.0 megohm potentiometer
RAX-004		COVER—Case top cover assembly (crinkle brown)	RTO-007		RESISTOR—7.5 ohm, 1/2 w., w.w.
RAX-005		STAY ARM ASSEMBLY	RTV-001		SWITCH—Operation and tone push button switch
RAX-006		COVER—Case top cover assembly (crinkle grey)	RWL-005		TRANSFORMER—Charging transformer
RAX-011		COVER—Top cover (Hammer-tone grey)			TRANSFORMER—Charging transformer
					TRANSFORMER—IF transformer, 1st or 2nd
					TRANSFORMER—Output transformer
					TRANSFORMER—Vibrator transformer
					CORD—Power cord

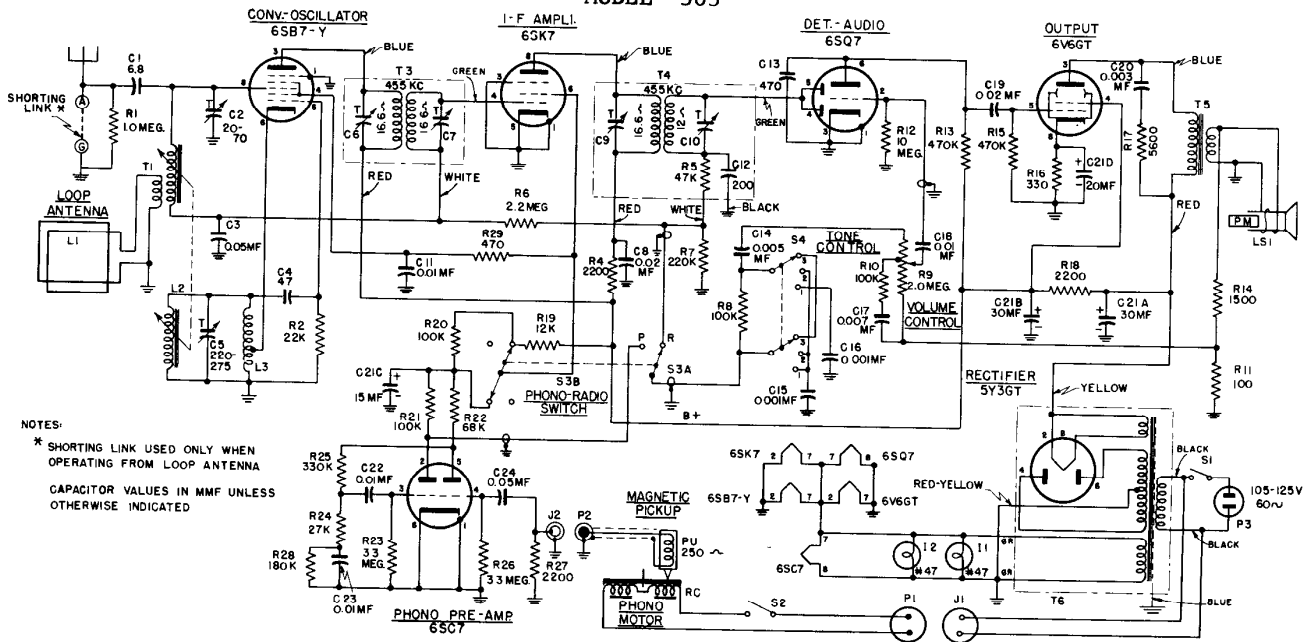
MODEL 280



REPLACEMENT PARTS LIST - 280

PART NO.	SYMBOL	DESCRIPTION	PART NO.	SYMBOL	DESCRIPTION
UNIVERSAL REPLACEMENT PARTS			SPECIALIZED REPLACEMENT PARTS LIST (Cont'd)		
UCC-011	C3, 9, 23	CAPACITOR—.05 mfd., 200 v., paper	RCY-5001	C16	CAPACITOR—BC oscillator padder
UCC-028	C7	CAPACITOR—.05 mfd., 400 v., paper	RDC-5001		CORD—Drive cord
UCC-035	C30	CAPACITOR—.001 mfd., 600 v., paper	RDE-5001		ESCUTCHEON—Dial scale escutcheon
UCC-037	C31	CAPACITOR—.003 mfd., 600 v., paper	RDF-5001		WASHER—Felt washer for knobs
UCC-039	C15, 27, 28	CAPACITOR—.005 mfd., 600 v., paper	RDK-5000		KNOB—Control knobs
UCC-041	C26	CAPACITOR—.02 mfd., 600 v., paper	RDM-5000		FLAG—Off-On indicator flag
UCU-1014	C10	CAPACITOR—27 mmf., mica	RDP-5000		POINTER—Plastic dial pointer
UCU-1020	C17	CAPACITOR—47 mmf., mica	RDX-5001		BRACKET—Dial bracket and pulley assembly
UCU-1028	C29	CAPACITOR—100 mmf., mica	RHC-5001		CLIP—Off-On indicator retaining clip
UCU-2065	C20	CAPACITOR—3600 mmf., mica	RJS-5000		SOCKET—Miniature tube socket
UOP-654	SP	SPEAKER—6½ in. permanent magnet speaker	RJS-5001		SOCKET—Octal tube socket
UOX-011		CONE—Speaker cone	RJS-5002		SOCKET—Speaker socket
URD-025	R7	RESISTOR—100 ohm, ½ w., carbon	RLA-5000	T2	COIL ASSEMBLY—Broadcast antenna coil
URD-029	R4	RESISTOR—150 ohm, ½ w., carbon	RLA-5002	T3	COIL ASSEMBLY—Short wave antenna coil
URD-037	R16	RESISTOR—330 ohm, ½ w., carbon	RLB-5000	T4	COIL ASSEMBLY—Broadcast RF
URD-057	R6	RESISTOR—2200 ohm, ½ w., carbon	RLB-5002	T5	COIL ASSEMBLY—Short wave RF
URD-073	R1, 8	RESISTOR—10,000 ohm, ½ w., carbon	RLC-5000	T6	COIL ASSEMBLY—BC and SW oscillator
URD-077	R2	RESISTOR—15,000 ohm, ½ w., carbon	RLI-5000	L1	COIL ASSEMBLY—SW RF choke coil
URD-097	R5	RESISTOR—100,000 ohm, ½ w., carbon	RMB-5001		BEARING—Dial drive shaft supporting bearing
URD-113	R11	RESISTOR—470,000 ohm, ½ w., carbon	RMC-5000		CAM—Off-On indicator cam
URD-121	R3, 14	RESISTOR—1 meg., ½ w., carbon	RMU-5001		SHAFT—Dial drive shaft
URD-133	R10	RESISTOR—3.3 meg., ½ w., carbon	RRC-5000	R12	VOLUME CONTROL—2 meg. volume control
URD-137	R9	RESISTOR—4.7 meg., ½ w., carbon	RRC-5002	R15, S3	TONE CONTROL—1 meg. control and power switch
URD-145	R13	RESISTOR—10 meg., ½ w., carbon	RSW-5000	S1, 2	SWITCH—Band change switch
SPECIALIZED REPLACEMENT PARTS			RTO-5001	T9	TRANSFORMER—Output transformer
RAB-5001		BACK—Cabinet back	RTL-5000	T8	TRANSFORMER—2nd i-f transformer
RCE-5001	C14	CAPACITOR—8 mfd., 150 v., electrolytic	RTL-5003	T7	TRANSFORMER—1st i-f transformer
RCT-5000	C6A, 6B, 6C	CONDENSER—Tuning condenser	RWX-5000		CABLE ASSEMBLY—Battery cable
RCU-5000	C13	CAPACITOR—3.3 mmfd., mica	RYM-5000		CHART—Dial calibration chart
RCY-5000	C5, 18, 21	CAPACITOR—SW antenna trimmer, BC oscillator trimmer and SW oscillator trimmer			

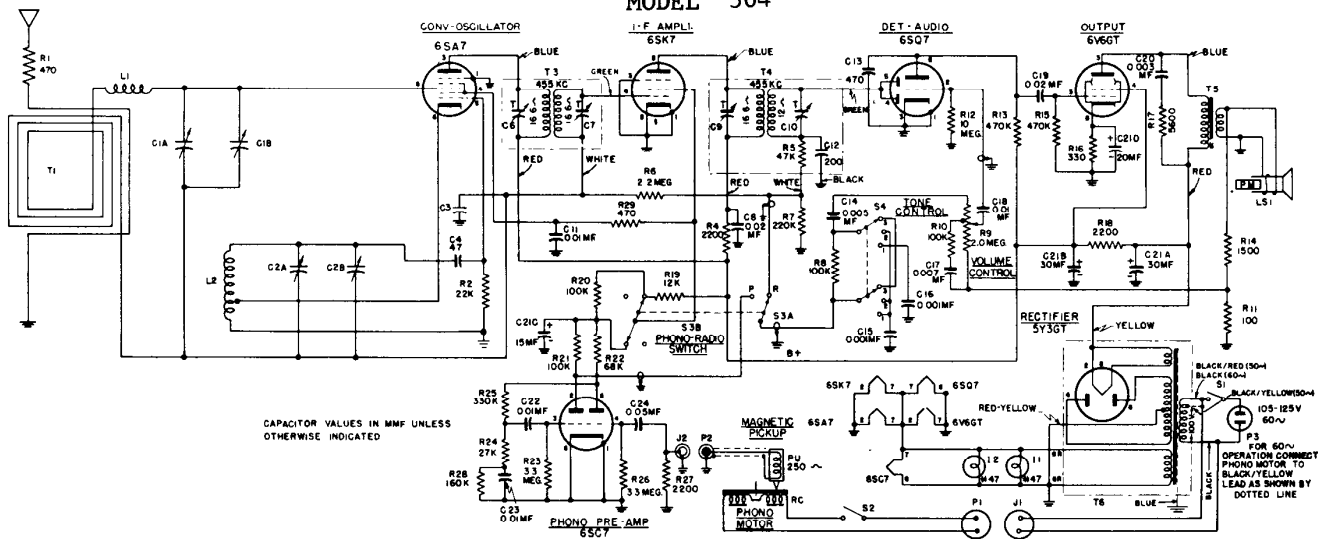
MODEL 303



REPLACEMENT PARTS LIST—MODEL 303

PART NO.	SYMBOL	DESCRIPTION	PART NO.	SYMBOL	DESCRIPTION
UNIVERSAL G-E REPLACEMENT PARTS			SPECIALIZED G-E REPLACEMENT PARTS (Cont'd)		
UCC-035	C15, 16	CAPACITOR—.001 mfd., 600 v., paper	RCE-033	C21A	CAPACITOR—30 mf., 350 v., dry electrolytic
UCC-039	C14	CAPACITOR—.005 mfd., 600 v., paper		C21B	CAPACITOR—30 mf., 350 v., dry electrolytic
UCC-040	C11, 18, 22, 23	CAPACITOR—.01 mfd., 600 v., paper		C21C	CAPACITOR—15 mf., 250 v., dry electrolytic
UCC-041	C8, 19	CAPACITOR—.02 mfd., 600 v., paper		C21D	CAPACITOR—20 mf., 25 v., dry electrolytic
UCC-045	C3, 24	CAPACITOR—.05 mfd., 600 v., paper	RCY-013	C2	CAPACITOR—Antenna trimmer, 20-75 mmf.
UCC-057	C20	CAPACITOR—.003 mfd., 1000 v., paper	RDC-013	C5	CAPACITOR—Oscillator trimmer, 220-275 mmf.
UCN-506	C1	CAPACITOR—6.8 mmf., v., ceramic	RDC-014		CORD—Dial drive cord 46½ in.
UCU-020	C4	CAPACITOR—47 mmf., 500 v., mica	RDF-005		CORD—Tuning mechanism drive cord 9½ in.
UCU-044	C13	CAPACITOR—470 mmf., 500 v., mica	RDK-002		WASHER—Felt washers for control knobs
UIC-001		CEMENT—Speaker cone replacement cement	RDK-006		KNOB—Phono-radio and tone control (pointer)
JOP-628	SPKR	SPEAKER—6 inch permanent magnet	RDP-014		KNOB—Tuning and volume control (plain)
JOX-001		CONE—Speaker cone and dust cap	RDS-020		POINTER—Dial pointer and slide
JRD-025	R11	RESISTOR—100 ohms, ½ w., carbon	REI-005		SCALE—Dial scale and cushion
JRD-041	R28	RESISTOR—180,000 ohms, ½ w., carbon			CORE—Iron core for tuning antenna and oscillator coils
JRD-053	R14	RESISTOR—1600 ohms, ½ w., carbon	RHG-003		GROMMET—Mounting grommet for 6SC7 socket
JRD-067	R4, 27	RESISTOR—2200 ohms, ½ w., carbon	RHH-004		FASTENER—Holds bottom plate on
JRD-067	R17	RESISTOR—5600 ohms, ½ w., carbon	RJA-001		ADAPTER—Connects control knobs to control shaft
JRD-081	R2	RESISTOR—22,000 ohms, ½ w., carbon			PLUG—Connects to speaker
JRD-083	R24	RESISTOR—27,000 ohms, ½ w., carbon	RJC-001		SOCKET—Phono input socket on chassis
JRD-093	R22	RESISTOR—68,000 ohms, ½ w., carbon	RJP-010	J2	SOCKET—6SB7-Y socket
JRD-097	R8, 20, 21, 10	RESISTOR—100,000 ohms, ½ w., carbon	RJS-003		SOCKET—Octal socket
JRD-103	R28	RESISTOR—180,000 ohms, ½ w., carbon	RJS-006		SOCKET—6SC7 socket
JRD-106	R7	RESISTOR—220,000 ohms, ½ w., carbon	RJS-031	J1	SOCKET—Pilot light socket
JRD-109	R25	RESISTOR—330,000 ohms, ½ w., carbon	RJS-033	T1	SOCKET—Phono power socket
JRD-113	R13, 15	RESISTOR—470,000 ohms, ½ w., carbon	RJS-049	L2	COIL—Antenna coil assembly (less iron core)
JRD-121	R1	RESISTOR—1.0 meg., ½ w., carbon	RLA-010	L3	COIL—Oscillator coil assembly (less iron core)
JRD-129	R6	RESISTOR—2.2 meg., ½ w., carbon	RLC-020	L1	COIL—Oscillator padder
JRD-133	R23, 26	RESISTOR—3.3 meg., ½ w., carbon	RLI-011		BEAM-A-SCOPE—Loop antenna assembly
JRD-146	R12	RESISTOR—10.0 meg., ½ w., carbon	RMS-004		SPRING—Tuning Drive Cord Tension Spring
JE-037	R16	RESISTOR—330 ohms, 1 w., carbon	RMS-056		SPRING—Main Drive Cord Tension Spring
JE-057	R18	RESISTOR—2200 ohms, 2 w., carbon	RMW-003		PULLEY—Idler pulley for dial string
RF-076	R19	RESISTOR—12,000 ohms, 2 w., carbon	RMU-013		SHAFT—Shaft assembly for driving tuning mechanism
			RMX-014	PU	SHAFT—Tuning control shaft assembly
			RPX-010	R9	PICK-UP—Magnetic pick-up cartridge
			RRC-029		VOLUME CONTROL AND POWER SWITCH—2 meg. tapped at 1 meg.
			RSW-018	S3	SWITCH—Radio phono
			RSW-019	61	SWITCH—Tone control
			RTL-020	T4	TRANSFORMER—2nd IF Transformer
			RTL-021	T3	TRANSFORMER—1st IF Transformer
			RTO-013	T5	TRANSFORMER—Output transformer
			RTP-021	T6	TRANSFORMER—Power transformer
			RWL-009		CORD—Power cord and plug
SPECIALIZED G-E REPLACEMENT PARTS					
AC-016		COVER—Cabinet bottom			
AD-016		BRACKET—For pilot light			
CC-001	C17	CAPACITOR—.007 mf., 600 v., paper			
CD-001		SHAFT—Tuner assembly consisting of slide shaft and bracket (less iron cores)			

MODEL 304



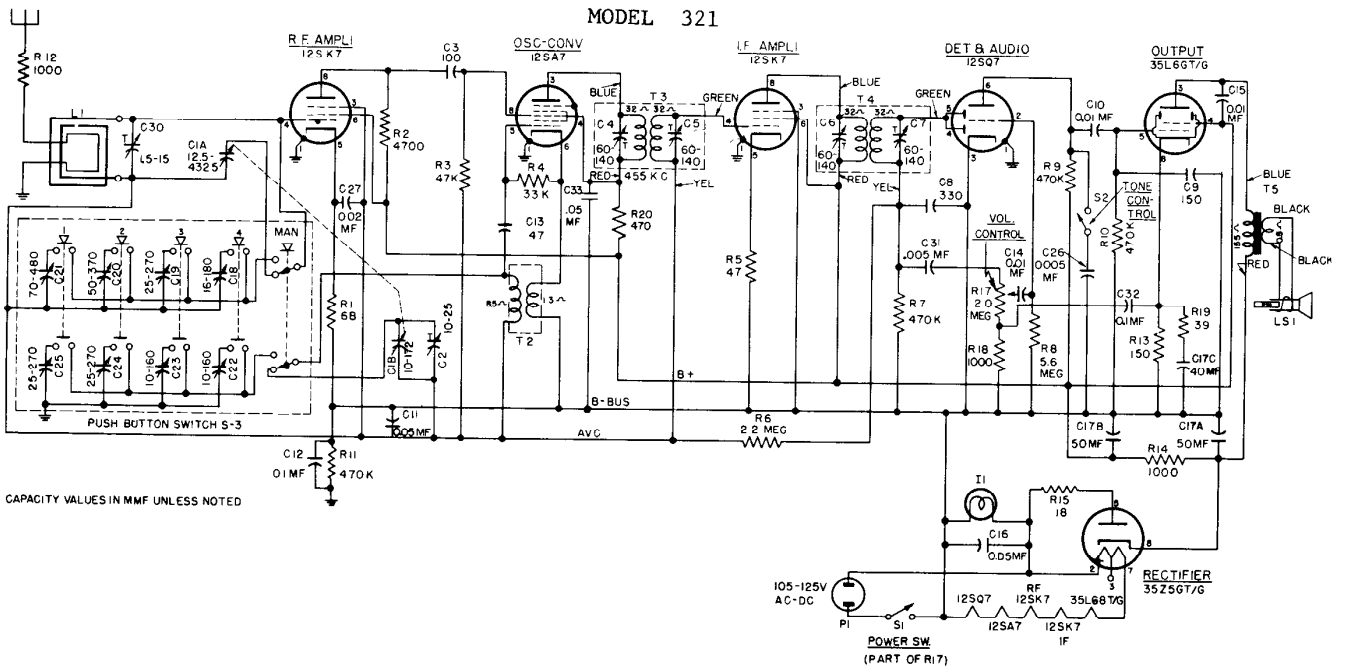
CAPACITOR VALUES IN MMF UNLESS OTHERWISE INDICATED

BLACK/RED (50-4)
BLACK (50-4)
BLACK/YELLOW (50-4)
FOR 60W OPERATION COMMENT PHONO MOTOR TO BLACK/YELLOW LEAD AS SHOWN BY DOTTED LINE

MODEL 304—REPLACEMENT PARTS LIST

CAT. NO.	SYMBOL	DESCRIPTION	CAT. NO.	SYMBOL	DESCRIPTION
UNIVERSAL REPLACEMENT PARTS			SPECIALIZED REPLACEMENT PARTS (Cont'd)		
UCC-035	C15, 16	CAPACITOR—.001 mfd., 600 v., paper	RDF-009		WASHER—Felt washer for control knobs
UCC-039	C14	CAPACITOR—.005 mfd., 600 v., paper	RDK-002		KNOB—Control knob (pointer)
UCC-040	C11, 18, 22, 23	CAPACITOR—.01 mfd., 600 v., paper	RDK-006		KNOB—Control knob (plain)
UCC-041	C3, 19	CAPACITOR—.02 mfd., 600 v., paper	RDP-014		POINTER—Dial pointer and slide assembly
UCC-045	C3, 24	CAPACITOR—.05 mfd., 600 v., paper	RDS-049		SCALE—Dial scale and cushion
UCC-057	C20	CAPACITOR—.003 mfd., 1000 v., paper	RHC-012		COTTER—Hair pin cotter for dial cord idler pulleys
UCU-020	C4	CAPACITOR—.47 mmf., mica	RHC-013		COTTER—Hair pin cotter for tuning shaft and idler drum shaft
UCU-044	C13	CAPACITOR—.470 mmf., mica	RHG-003		GROMMET—Mounting grommet for 6SC7 tube socket
UDI-008	I1, 2	LAMP—No. 47 pilot lamp	RHX-011		HARDWARE—Tuning condenser mounting hardware
UIC-001		CEMENT—Speaker cone replacement cement	RJA-001		ADAPTER—Wood extension shaft for control shafts
UOP-628	LS1	SPEAKER—6-inch PM speaker	RJC-001	J2	PLUG—Speaker lead plugs
URD-025	R11	RESISTOR—100 ohms, 1/2 w., carbon	RJP-010		SOCKET—Phono input socket
URD-041	R1, 29	RESISTOR—470 ohms, 1/2 w., carbon	RJS-003		SOCKET—6SA7 tube socket
URD-053	R14	RESISTOR—1600 ohms, 1/2 w., carbon	RJS-006		SOCKET—Octal tube socket
URD-057	R4, 27	RESISTOR—2200 ohms, 1/2 w., carbon	RJS-031		SOCKET—6SC7 tube socket
URD-067	R17	RESISTOR—5600 ohms, 1/2 w., carbon	RJS-049	J1	SOCKET—Phono power socket
URD-081	R2	RESISTOR—22,000 ohms, 1/2 w., carbon	RJS-086		SOCKET—Pilot lamp socket
URD-083	R24	RESISTOR—27,000 ohms, 1/2 w., carbon	RLA-021	L1	COIL—Antenna compensating coil
URD-089	R5	RESISTOR—47,000 ohms, 1/2 w., carbon	RLC-021	L2	COIL—Oscillator coil
URD-093	R22	RESISTOR—68,000 ohms, 1/2 w., carbon	RL-014	T1	BEAM-A-SCOPE—Loop antenna assembly
URD-097	R8, 10, 20, 21	RESISTOR—10,000 ohms, 1/2 w., carbon	RMC-017		CLAMP—Electrolytic capacitor mounting clamp
URD-103	R28	RESISTOR—180,000 ohms, 1/2 w., carbon	RMS-004		SPRING—Drive cord tension spring (in pointer drive cord)
URD-105	R7	RESISTOR—220,000 ohms, 1/2 w., carbon	RMS-076		SPRING—Drive cord tension spring (inside condenser drive drum)
URD-109	R25	RESISTOR—330,000 ohms, 1/2 w., carbon	RMW-003		PULLEY—Idler pulley for pointer drive cord
URD-113	R13, 15	RESISTOR—470,000 ohms, 1/2 w., carbon	RMW-036		DRUM—Idler drum (consists of 1 1/4-inch drum and brass drive bushing)
URD-129	R6	RESISTOR—2.2 meg., 1/2 w., carbon	RMX-014	PU	SHAFT—Tuning control shaft
URD-133	R23, 26	RESISTOR—3.3 meg., 1/2 w., carbon	RPX-010	R9, S1	PICK-UP—Magnetic pick-up unit
URD-145	R12	RESISTOR—10 meg., 1 w., carbon	RRC-029		VOLUME CONTROL—2 meg. (includes power switch)
URE-037	R16	RESISTOR—330 ohms, 1 w., carbon	RSW-018	S3	SWITCH—Phono-radio switch
URF-057	R18	RESISTOR—2200 ohms, 2 w., carbon	RSW-019	S4	SWITCH—Tone control switch
URF-075	R19	RESISTOR—12,000 ohms, 2 w., carbon	RTL-020	T4	TRANSFORMER—2nd I-F transformer
			RTL-021	T3	TRANSFORMER—1st I-F transformer
			RTO-013	T5	TRANSFORMER—Output transformer
			RTP-031	T6	TRANSFORMER—60-cycle power transformer
			RWL-009	T6	TRANSFORMER—60-cycle power transformer
			RYM-001	P3	CORD—Power cord and plug
					SCALE—Cardboard scale for backplate
SPECIALIZED REPLACEMENT PARTS					
RAC-015		COVER—Cabinet, bottom cover			
RAD-016		BRACKET—Pilot lamp bracket			
RCC-001	C17	CAPACITOR—.007 mfd., 600 v., paper			
RCE-033	C21A, B, C, D	CAPACITOR—30 mfd., 350 v., 30 mfd., 350 v., 15 mfd., 250 v., 20 mfd., 26 v. electrolytic			
RCT-020	C1A, B, 2A, B	CONDENSER—2-section tuning condenser and trimmers (includes drive drum)			
RDC-023		CORD—Dial pointer drive cord			
RDC-024		CORD—Gang condenser drive cord			

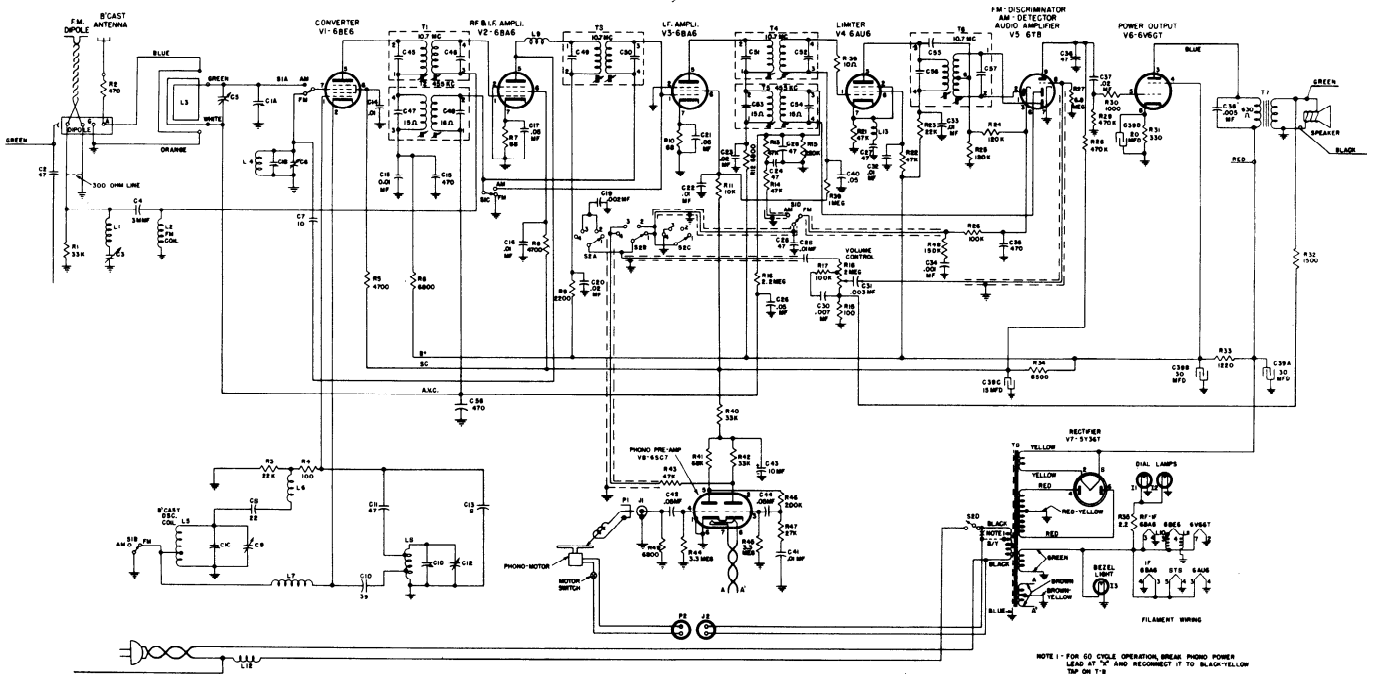
MODEL 321



REPLACEMENT PARTS LIST - 321

Cat. No.	Symbol	Description	Cat. No.	Symbol	Description
UNIVERSAL G-E REPLACEMENT PARTS			SPECIALIZED G-E REPLACEMENT PARTS (Cont'd)		
UCC-009	C27	Capacitor—0.02 mfd., 200 V., paper	RDK-004		Knob—Control Knob (tuning)
UCC-013	C32	Capacitor—0.1 mfd., 200 V., paper	RDK-007		Key—Station selector key
UCC-025	C10,14	Capacitor—0.01 mfd., 400 V., paper	RDK-009		Knob—Control knob (volume)
UCC-030	C12	Capacitor—0.1 mfd., 400 V., paper	RDK-023		Knob—Tone control wafer knob
UCC-039	C26, 31	Capacitor—0.005 mfd., 600 V., paper	RDP-003		Pointer—Dial scale pointer
UCC-040	C15	Capacitor—0.01 mfd., 600 V., paper	RDS-004		Scale—Dial scale
UCC-045	C11, 16, 33	Capacitor—0.05 mfd., 600 V., paper	RDX-003		Assembly—Dial scale back plate assembly
UDL-018	I1	Pilot Lamp—115 V., 10 watt candleabra base	RDX-004		Assembly—Drive cord assembly
UOP-525	LS1	Speaker—5 $\frac{1}{4}$ in. permanent magnet loud-speaker	RHC-001		Cotter—Hairpin shaft retaining cotter
URD-015	R19	Resistor—39 ohms, $\frac{1}{2}$ W., carbon	RHG-001		Grommet—Tuning capacitor mtg. grommet
URD-017	R5	Resistor—47 ohms, $\frac{1}{2}$ W., carbon	RHM-007		Stud—Idler pulley stud
URD-021	R1	Resistor—68 ohms, $\frac{1}{2}$ W., carbon	RHM-008		Cam—Tone switch cam
URD-029	R13	Resistor—150 ohms, $\frac{1}{2}$ W., carbon	RHM-009		Link—Tone switch cam link
URD-041	R20	Resistor—470 ohms, $\frac{1}{2}$ W., carbon	RHM-010		Clip—Tone control shaft clip
URD-049	R12, 18	Resistor—1000 ohms, $\frac{1}{2}$ W., carbon	RHM-011		Bushing—Tuning shaft bushing
URD-065	R2	Resistor—4700 ohms, $\frac{1}{2}$ W., carbon	RHX-001		Assembly—Chassis mounting assembly
URD-085	R4	Resistor—33,000 ohms, $\frac{1}{2}$ W., carbon	RIT-006		Cover—Electrolytic capacitor cardboard cover
URD-089	R3	Resistor—47,000 ohms, $\frac{1}{2}$ W., carbon	RJC-001		Terminal—Loudspeaker lead terminals
URD-113	R7, 9, 10, 11	Resistor—470,000 ohms, $\frac{1}{2}$ W., carbon	RJS-001		Socket—Pilot lamp socket
URD-129	R6	Resistor—2.2 megohms, $\frac{1}{2}$ W., carbon	RJS-008		Socket—Octal base tube socket
URD-139	R8	Resistor—5.6 megohms, $\frac{1}{2}$ W., carbon	RJS-004		Socket—Mtg. socket for electrolytic capacitor
URE-007	R15	Resistor—18 ohms, 1 W., carbon	RLC-002	T2	Coil—Oscillator coil
URF-049	R14	Resistor—1000 ohms, 2 W., carbon	RLL-004	L1	Beam-a-scope—Cabinet back and antenna assembly
			RLP-001	L2	Coil—Plate choke
			RLP-002	L4, R16	Coil—Series peaking coil and resistor assembly
			RLW-001	L3	Coil—Wavetrap coil
			RMM-001		Shield—Tube shield and clip
			RMM-002		Shield—Light shield
			RMS-001		Spring—Drive cord spring
			RMS-003		Spring—Station selector button spring
			RMU-003		Shaft—Tuning shaft and cotter pin
			RMW-001		Pulley—Drive cord idler pulley
			RRC-003	R17	Volume Control—2 meg. potentiometer
			RSP-001	S3	Switch—Station selector push button switch
			RSW-003	S2	Switch—Tone control switch
			RTL-003	T3	Transformer—1st I-F transformer
			RTL-004	T4	Transformer—2nd I-F transformer
			RTO-002	T5	Transformer—Output transformer
			RWL-000	P1	Cord—Power cord and plug
			RYC-001		Card—Station letter cards
SPECIALIZED G-E REPLACEMENT PARTS					
RAV-001		Cabinet—Cabinet, less escutcheon and back			
RCE-001	C17A, 17B, 17C	Capacitor—50 mfd., 150 V., 50 mfd., 150 V., 40 mfd., 25 V., dry electrolytic			
RCT-003	C1A, 1B, 2	Capacitor—Tuning capacitor assembly			
RCU-110	C13	Capacitor—47 mmf., 500 V., mica			
RCU-112	C3	Capacitor—100 mmf., 500 V., mica			
RCU-113	C9	Capacitor—150 mmf., 500 V., mica			
RCU-115	C8	Capacitor—330 mmf., 500 V., mica			
RCX-001	C18, 19, 20, 21	Trimmer Strip—Station selector adjustments (r-f)			
RCX-002	C22, 23, 24, 25	Trimmer Strip—Station selector adjustments (osc.)			
RCY-002	C30	Capacitor—1.5-15 mmf. antenna trimmer			

MODELS 324, 328



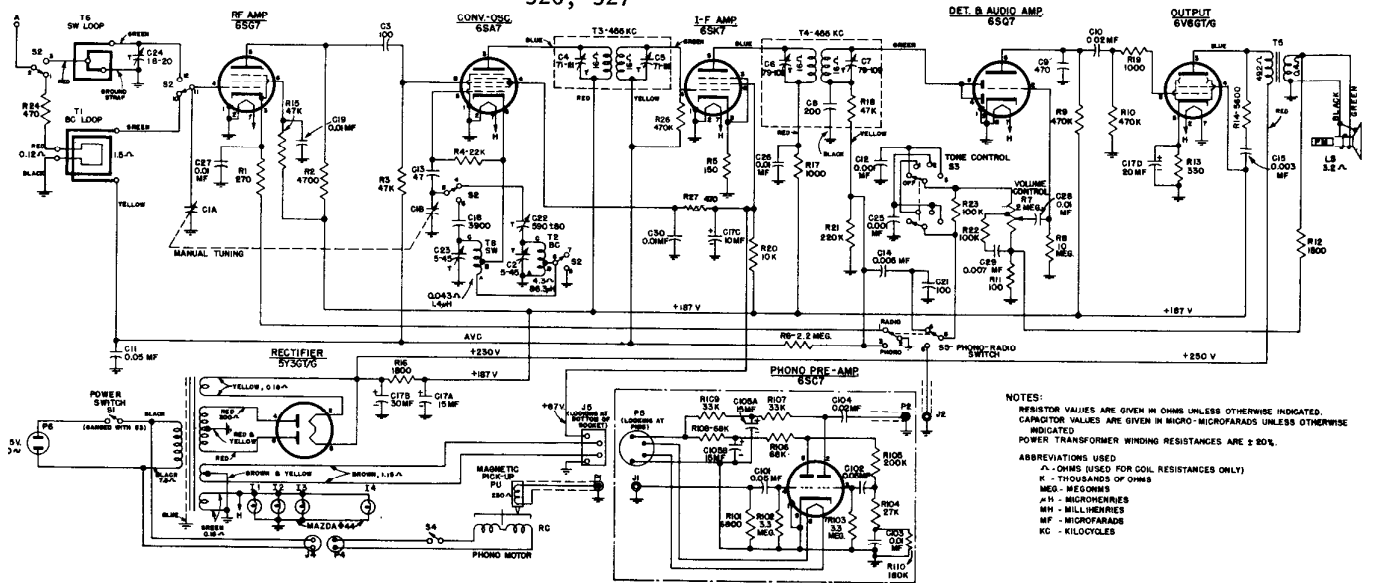
NOTE 1 - FOR 60 CYCLE OPERATION, BREAK PHONO POWER LEAD AT "A" AND RECONNECT IT TO BLACK-YELLOW TAP ON T-8

MODELS 324 AND 328 REPLACEMENT PARTS LIST

Cat. No.	Symbol	Description	Suggested Unit List Price	Cat. No.	Symbol	Description	Suggested Unit List Price
UNIVERSAL REPLACEMENT PARTS				SPECIALIZED REPLACEMENT PARTS (Cont'd)			
UCC-620	C34	CAPACITOR—.001 mfd., 600 v., paper	\$0.25	RCW-1053	C8	CAPACITOR—22 mmf., ±20%, max. neg. ceramic	\$0.60
UCC-621	C19	CAPACITOR—.002 mfd., 600 v., paper	.25	RCW-1057	C10	CAPACITOR—39 mmf., ±10%, max. neg. ceramic	.60
UCC-623	C31	CAPACITOR—.003 mfd., 600 v., paper	.25	RCW-1060	C7	CAPACITOR—10 mmf., ±20%, sero coef. ceramic	.60
UCC-630	C14, 15, 16, 22, 28, 32, 33, 41	CAPACITOR—.01 mfd., 600 v., paper	.30	RCW-1066	C4	CAPACITOR—3 mmf., ±10%, sero coef. ceramic	1.00
UCC-631	C20, 23, 37	CAPACITOR—.02 mfd., 600 v., paper	.30	RCW-2010	C27	CAPACITOR—47 mmf., ±5%, sero coef. ceramic	.60
UCC-635	C40, 44, 17, 21, 29, 42	CAPACITOR—.05 mfd., 600 v., paper	.40	RCW-2033	C13	CAPACITOR—8 mmf., ±10%, max. neg. ceramic	.60
UCC-1625	C38	CAPACITOR—.005 mfd., 1600 v., paper	.55	RCY-020	C3	CAPACITOR—Trimmer, 36-146 mmf.	.55
UCU-020	C2, 24, 25, 26, 36	CAPACITOR—47 mmf., ±20%, mica	.25	RCY-034	C5	CAPACITOR—Trimmer, 2-20 mmf.	.45
UCU-044	C35	CAPACITOR—470 mmf., ±20%, mica	.30	RDC-038	C12	CAPACITOR—Air trimmer, 1 to 8 mmfd.	1.00
UOP-1247		SPEAKER—12-inch PM, same as S1200D7	16.50	RDC-033		CORD—Dial drive cord (25 yds.)	2.50
URD-001	R39	RESISTOR—10 ohms, 1/2 w., carbon	.13	RDE-032		ESCUTCHEON	6.10
URD-021	R7, 10	RESISTOR—68 ohms, 1/2 w., carbon	.13	RDK-037		KNOB—Plain (for Model 328)	.15
URD-025	R4, 19	RESISTOR—100 ohms, 1/2 w., carbon	.13	RDK-040		KNOB—With arrow (for Model 328)	.15
URD-041	R2	RESISTOR—470 ohms, 1/2 w., carbon	.13	RDK-137		KNOB—With arrow (for Model 324)	.15
URD-049	R30	RESISTOR—1000 ohms, 1/2 w., carbon	.13	RDK-138		KNOB—Plain (for Model 324)	.15
URD-053	R32	RESISTOR—1500 ohms, 1/2 w., carbon	.13	RDS-074		SCALE—Dial scale	1.50
URD-057	R9	RESISTOR—2200 ohms, 1/2 w., carbon	.13	RDX-035		POINTER—Dial pointer assembly	.45
URD-065	R5, 8	RESISTOR—4700 ohms, 1/2 w., carbon	.13	RHC-017		CLIP—To hold coil	.02
URD-069	R6, 12, 43, 49	RESISTOR—6800 ohms, 1/2 w., carbon	.13	RHG-010		GROMMET—Rubber mounting grommet for preamplifier tube	.05
URD-073	R11	RESISTOR—10,000 ohms, 1/2 w., carbon	.13	RHG-015		GROMMET—Por mounting tuning capacitor	.05
URD-081	R3, 23	RESISTOR—22,000 ohms, 1/2 w., carbon	.13	RHJ-006		SPACER—For mounting tuner condenser	.05
URD-085	R1, 40, 42	RESISTOR—33,000 ohms, 1/2 w., carbon	.13	RJP-010	J1	JACK—Phono jack	.10
URD-089	R13, 14, 21, 22	RESISTOR—47,000 ohms, 1/2 w., carbon	.13	RJS-003	J2	SOCKET—Tube socket for V6 and V7	.20
URD-093	R41	RESISTOR—68,000 ohms, 1/2 w., carbon	.13	RJS-049		SOCKET—Phono power female socket	.25
URD-097	R17, 26	RESISTOR—100,000 ohms, 1/2 w., carbon	.13	RJS-085		SOCKET—Tube socket for V8	.20
URD-099	R24, 25	RESISTOR—120,000 ohms, 1/2 w., carbon	.13	RJS-105		SOCKET—Tube socket for V1, V2, V3, V4	.20
URD-101	R48	RESISTOR—150,000 ohms, 1/2 w., carbon	.13	RJS-118		SOCKET—Tube socket for V5	.20
URD-105	R15	RESISTOR—220,000 ohms, 1/2 w., carbon	.13	RLA-012	L6	COIL—FM oscillator grid choke	1.05
URD-113	R28, 29	RESISTOR—470,000 ohms, 1/2 w., carbon	.13	RLC-027	L4	COIL—FM r-f coil	.65
URD-121	R38	RESISTOR—1 meg., 1/2 w., carbon	.13	RLC-066	L5	COIL—B-C oscillator coil	.90
URD-129	R16	RESISTOR—2.2 meg., 1/2 w., carbon	.13	RLC-067	L8	COIL—FM oscillator coil	.30
URD-133	R44, 45	RESISTOR—3.3 meg., 1/2 w., carbon	.13	RLI-005	L1, 10, 11	COIL—Choke coil	1.00
URD-141	R27	RESISTOR—6.8 meg., 1/2 w., carbon	.13	RLI-044	L12	COIL—FM power line choke coil	.75
URD-1104	R46	RESISTOR—200,000 ohms, 5%, 1/2 w., carbon	.17	RLI-056	L2	COIL—FM antenna choke coil	.65
URE-037	R31	RESISTOR—330 ohms, 1 w., carbon	.17	RLI-057	L7, 9	COIL—FM choke coil	.70
URE-083	R47	RESISTOR—27,000 ohms, 1 w., carbon	.17	RLI-058	L13	COIL—FM limiter choke	.65
SPECIALIZED REPLACEMENT PARTS				RLI-030	L3	LOOP—Broadcast loop	2.10
RAL-001		BEZEL—Pilot light bezel	\$0.10	RMS-155		SPRING—For Receiver chassis bin	.15
RAV-058		CABINET—For Model 324	125.00	RRC-044		SPRING—Dial cord tension	.03
RAV-060		CABINET—For Model 328	130.00	RRC-074		VOLUME CONTROL	1.25
RCC-001		CAPACITOR—.007 mfd., 600 v.	.25	RRN-006	R18	RESISTOR—2.2 ohms, ±10%, 1/2 w., carbon	.25
RCE-029	C30, C39A, B, 39C, D	CAPACITOR—Electrolytic capacitor 15 mfd., 400 v.; 20 mfd., 25 v.; 30 mfd., 400 v.; 30 mfd., 400 v.	3.45	RRT-003	R33, 34	RESISTOR—6500 and 1220 ohms, ±10%, w.w.	1.25
RCE-042	C43	CAPACITOR—10 mfd., 250 v., electrolytic capacitor	.95	RSW-048	S2A, B, 3C, D	SWITCH—Tone control and power switch	2.55
RCT-033	C1A, B, 1C, D	CAPACITOR—Tuning capacitor and drum assembly	6.50	RSW-059	S1A, B, 1C, D	SWITCH—Band change switch	1.50
RCW-176	C18, 58	CAPACITOR—470 mmf., ±20%, Hi k. ceramic	.60	RTD-006	T6	TRANSFORMER—Discriminator transformer	4.95
RCW-1043	C11	CAPACITOR—47 mmf., ±20%, max. neg. ceramic	.60	RTL-054	T5	TRANSFORMER—2nd AM i-f transformer	2.40
				RTL-078	T2	TRANSFORMER—1st AM i-f transformer	2.45
				RTL-080	T1, 3, 4	TRANSFORMER—1st, 2nd, 3rd FM i-f transformer	2.45
				RTO-051	T7	TRANSFORMER—Output transformer	3.00
				RTP-061	T8	TRANSFORMER—Power transformer (60 cy.)	10.00

PRICES SUBJECT TO CHANGE WITHOUT NOTICE.

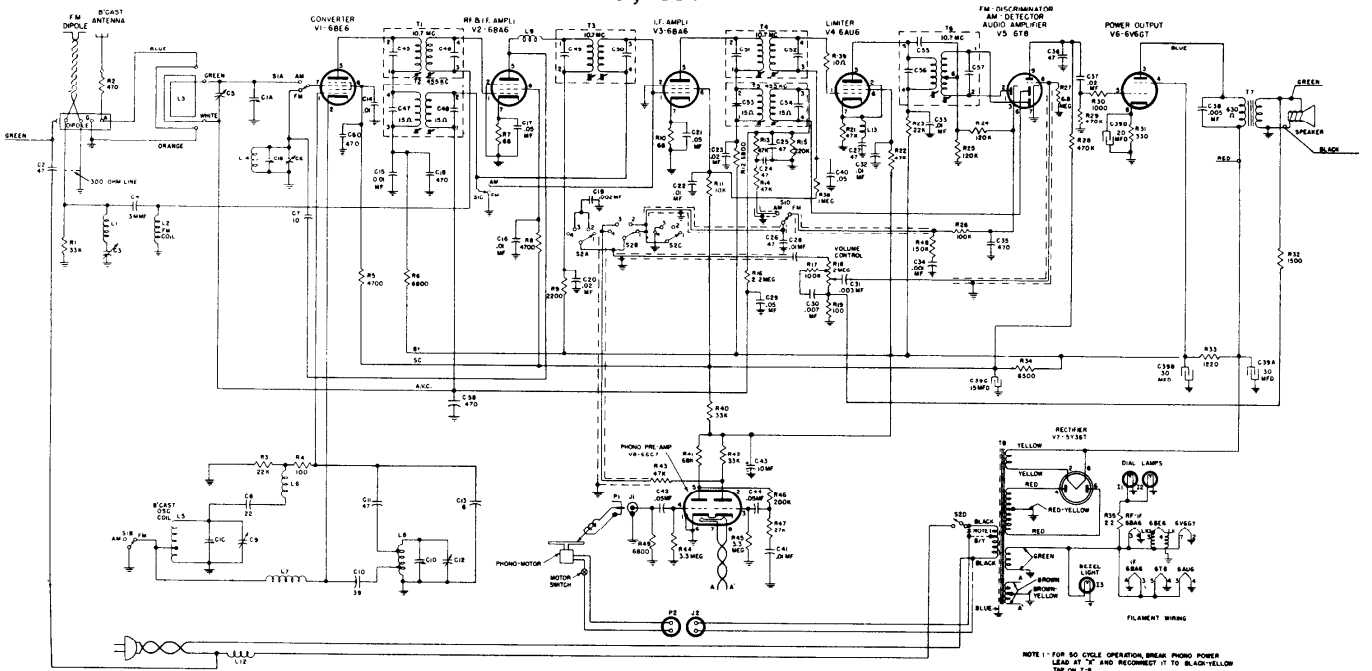
326, 327



NOTES:
 RESISTOR VALUES ARE GIVEN IN OHMS UNLESS OTHERWISE INDICATED.
 CAPACITOR VALUES ARE GIVEN IN MICRO-MICROFARADS UNLESS OTHERWISE INDICATED.
 POWER TRANSFORMER WINDING RESISTANCES ARE ± 20%.

ABBREVIATIONS USED
 Ω - OHMS (USED FOR COIL RESISTANCES ONLY)
 K - THOUSANDS OF OHMS
 MEG - MEGOHMS
 μH - MICROHENRIES
 MH - MILLIHENRIES
 MF - MICROFARADS
 KC - KILOCYCLES

MODELS 329, 330

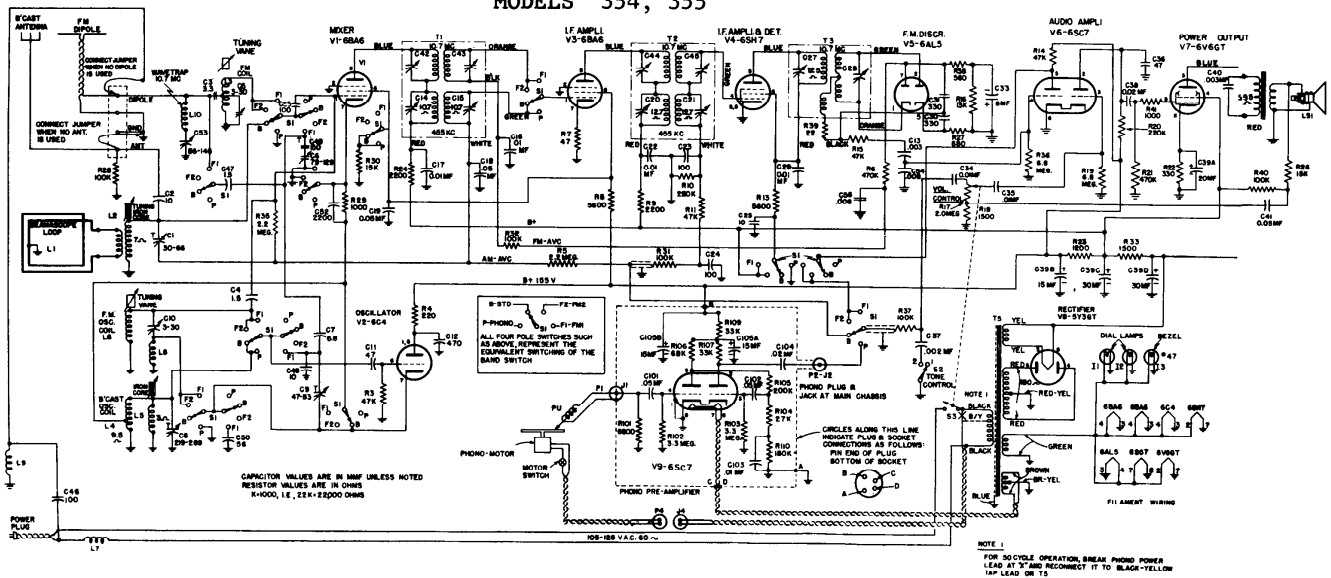


REPLACEMENT PARTS LIST - 329,330

Cat. No.	Symbol	Description	Suggested Unit List Price	Cat. No.	Symbol	Description	Suggested Unit List Price
UNIVERSAL REPLACEMENT PARTS				SPECIALIZED REPLACEMENT PARTS (Cont'd)			
UCC-620	C34	CAPACITOR—.001 mfd., 600 v., paper.	\$0.25	RCW-1053	C8	CAPACITOR—22 mmf., ±20%, max. neg. ceramic	\$0.60
UCC-621	C19	CAPACITOR—.002 mfd., 600 v., paper.	.25	RCW-1057	C10	CAPACITOR—39 mmf., ±10%, max. neg. ceramic	.60
UCC-623	C31	CAPACITOR—.003 mfd., 600 v., paper.	.25	RCW-1060	C7	CAPACITOR—10 mmf., ±20%, zero coef. ceramic	.60
UCC-630	C14, 15, 16, 22, 28, 32, 33, 41	CAPACITOR—.01 mfd., 600 v., paper.	.30	RCW-1066	C4	CAPACITOR—3 mmf., ±10%, zero coef. ceramic	1.00
UCC-631	C20, 23, 37	CAPACITOR—.02 mfd., 600 v., paper.	.30	RCW-2010	C27	CAPACITOR—47 mmf., ±5%, zero coef. ceramic	.60
UCC-635	C40, 44, 17, 21, 29, 42	CAPACITOR—.05 mfd., 600 v., paper.	.40	RCW-2033	C13	CAPACITOR—6 mmf., ±10%, max. neg. ceramic	.60
UCC-1625	C38	CAPACITOR—.005 mfd., 1600 v., paper	.55	RCY-020	C3	CAPACITOR—Trimmer, 36-146 mmf.	.55
UCU-020	C2, 24, 25, 26, 36	CAPACITOR—47 mmf., ±20%, mica.	.25	RCY-034	C5	CAPACITOR—Trimmer, 2-20 mmf.	.45
UCU-044	C35	CAPACITOR—470 mmf., ±20%, mica.	.30	RCY-038	C12	CAPACITOR—Air trimmer, 1 to 8 mmfd.	1.00
UOP-1247		SPEAKER—12-inch PM, same as S1200D7	16.50	RDC-033		CORD—Dial drive cord (25 yds.)	2.50
URD-001	R39	RESISTOR—10 ohms, 1/4 w., carbon	.13	RDE-032		ESCUTCHEON	6.10
URD-021	R7, 10	RESISTOR—68 ohms, 1/4 w., carbon	.13	RDK-037		KNOB—Plain (for Model 328)	.15
URD-025	R4, 19	RESISTOR—100 ohms, 1/4 w., carbon	.13	RDK-040		KNOB—With arrow (for Model 328)	.15
URD-041	R2	RESISTOR—470 ohms, 1/4 w., carbon	.13	RDK-137		KNOB—With arrow (for Model 324)	.15
URD-049	R30	RESISTOR—1000 ohms, 1/4 w., carbon	.13	RDK-138		KNOB—Plain (for Model 324)	.15
URD-053	R32	RESISTOR—1500 ohms, 1/4 w., carbon	.13	RDS-074		SCALE—Dial scale	1.50
URD-057	R9	RESISTOR—2200 ohms, 1/4 w., carbon	.13	RDX-035		POINTER—Dial pointer assembly	.45
URD-065	R5, 8	RESISTOR—4700 ohms, 1/4 w., carbon	.13	RHC-017		CLIP—To hold coil	.02
URD-069	R6, 12, 43, 49	RESISTOR—6800 ohms, 1/4 w., carbon	.13	RHG-010		GROMMET—Rubber mounting grommet for preamplifier tube	.05
URD-073	R11	RESISTOR—10,000 ohms, 1/4 w., carbon	.13	RHG-015		GROMMET—For mounting tuning capacitor	.05
URD-081	R3, 23	RESISTOR—22,000 ohms, 1/4 w., carbon	.13	RHJ-006		SPACER—For mounting tuner condenser	.05
URD-085	R1, 40, 42	RESISTOR—33,000 ohms, 1/4 w., carbon	.13	RJP-010	J1	JACK—Phono jack	.10
URD-089	R13, 14, 21, 22	RESISTOR—47,000 ohms, 1/4 w., carbon	.13	RJS-003	J2	SOCKET—Tube socket for V6 and V7	.20
URD-093	R41	RESISTOR—68,000 ohms, 1/4 w., carbon	.13	RJS-049		SOCKET—Phono power female socket	.25
URD-097	R17, 26	RESISTOR—100,000 ohms, 1/4 w., carbon	.13	RJS-085		SOCKET—Tube socket for V8	.20
URD-099	R24, 25	RESISTOR—120,000 ohms, 1/4 w., carbon	.13	RJS-105		SOCKET—Tube socket for V1, V2, V3, V4	.35
URD-101	R48	RESISTOR—150,000 ohms, 1/4 w., carbon	.13	RJS-118		SOCKET—Tube socket for V5	.35
URD-105	R15	RESISTOR—220,000 ohms, 1/4 w., carbon	.13	RLA-012	L6	COIL—FM oscillator grid choke	1.05
URD-113	R28, 29	RESISTOR—470,000 ohms, 1/4 w., carbon	.13	RLB-027	L4	COIL—FM r-f coil	.65
URD-121	R38	RESISTOR—1 meg., 1/4 w., carbon	.13	RLC-066	L5	COIL—B-C oscillator coil	.90
URD-129	R16	RESISTOR—2.2 meg., 1/4 w., carbon	.13	RLC-067	L8	COIL—FM oscillator coil	.30
URD-133	R44, 45	RESISTOR—3.3 meg., 1/4 w., carbon	.13	RLL-005	L1, 10, 11	COIL—Choke coil	1.00
URD-141	R27	RESISTOR—6.8 meg., 1/4 w., carbon	.13	RLL-044	L12	COIL—FM power line choke coil	.75
URD-1104	R46	RESISTOR—200,000 ohms, 5%, 1/4 w., carbon	.17	RLL-056	L2	COIL—FM antenna choke coil	.65
URE-037	R31	RESISTOR—330 ohms, 1 w., carbon	.17	RLL-057	L7, 9	COIL—FM choke coil	.70
URE-083	R47	RESISTOR—27,000 ohms, 1 w., carbon	.17	RLL-058	L13	COIL—FM limiter choke	.65
SPECIALIZED REPLACEMENT PARTS				RLL-030	L3	LOOP—Broadcast loop	2.10
RAL-001		BEZEL—Pilot light bezel	\$0.10	RMS-155		SPRING—For Receiver chassis bin	.15
RAV-058		CABINET—For Model 324	125.00	RMS-044		SPRING—Dial cord tension	.03
RAV-060		CABINET—For Model 328	130.00	RRC-074	R18	VOLUME CONTROL	1.25
RCC-001	C30	CAPACITOR—.007 mfd., 600 v.	.25	RRN-006	R35	RESISTOR—2.2 ohms, ±10%, 1/4 w., carbon	.25
RCE-029	C39A, B, 39C, D	CAPACITOR—Electrolytic capacitor 15 mfd., 400 v.; 20 mfd., 25 v.; 30 mfd., 400 v.; 30 mfd., 400 v.	3.45	RRT-003	R33, 34	RESISTOR—6500 and 1220 ohms, ±10%, w.w.	1.25
RCE-042	C43	CAPACITOR—10 mfd., 250 v., electrolytic capacitor	.95	RSW-048	S2A, B, 2C, D	SWITCH—Tone control and power switch	2.55
RCT-033	C1A, B, 1C, D	CAPACITOR—Tuning capacitor and drum assembly	6.50	RSW-059	S1A, B, 1C, D	SWITCH—Band change switch	1.50
RCW-176	C18, 58	CAPACITOR—470 mmf., ±20%, Hi k, ceramic	.60	RTD-006	T6	TRANSFORMER—Discriminator transformer	4.95
RCW-1043	C11	CAPACITOR—47 mmf., ±20%, max. neg. ceramic	.60	RTL-054	T5	TRANSFORMER—2nd AM i-f transformer	2.40
				RTL-078	T2	TRANSFORMER—1st AM i-f transformer	2.45
				RTL-080	T1, 3, 4	TRANSFORMER—1st, 2nd, 3rd FM i-f transformer	2.45
				RTO-051	T7	TRANSFORMER—Output transformer	3.00
				RTP-061	T8	TRANSFORMER—Power transformer (60 cy.)	10.00

PRICES SUBJECT TO CHANGE WITHOUT NOTICE.

MODELS 354, 355

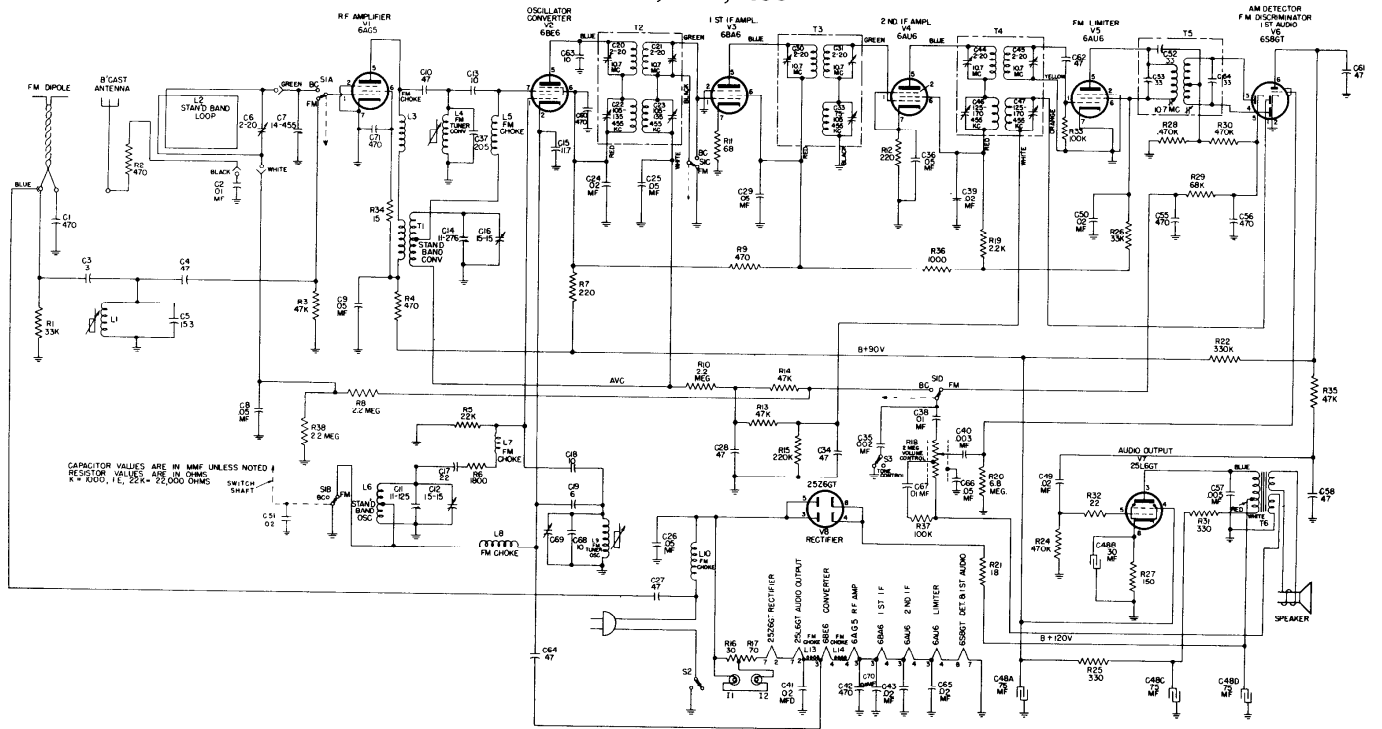


REPLACEMENT PARTS LIST - 354, 355

Cat. No.	Symbol	Description	Sug- gested Unit List Price	Cat. No.	Symbol	Description	Sug- gested Unit List Price
UNIVERSAL REPLACEMENT PARTS				SPECIALIZED REPLACEMENT PARTS (Cont'd)			
UCC-011	C41	CAPACITOR—.05 mf., paper 200 v.	\$0.30	RCW-1028	C55	CAPACITOR—100 mmf., ceramic	\$0.60
UCC-020	C13	CAPACITOR—.003 mf., paper 400 v.	.25	RCY-017	C10	CAPACITOR—Air trimmer	.75
UCC-024	C54, 56	CAPACITOR—.008 mf., paper 400 v.	.25	RCY-018	C1, 5, 6	CAPACITOR—Trimmer, 3-30 mmf., 30-60 mmf., 79-129 mmf.	1.30
UCC-028	C18	CAPACITOR—.05 mf., paper 400 v.	.25	RCY-019	C8, 9	CAPACITOR—Trimmer, 219-269 mmf., 47-83 mmf.	1.00
UCC-036	C37	CAPACITOR—.002 mf., paper 600 v.	.25	RCY-020	C53	CAPACITOR—Trimmer, 86-146 mmf.	.55
UCC-040	C16, 17, 22, 34, 35	CAPACITOR—.01 mf., paper 600 v.	.25	RDC-032		CORD—Elevator drive cord, NF28	.10
UCC-041	C38	CAPACITOR—.02 mf., paper 600 v.	.25	RDC-033		CORD—Dial drive cord, NF40	.10
UCC-045	C19	CAPACITOR—.05 mf., paper 600 v.	.30	RDE-022		ESCUTCHEON—Dial scale	5.10
UCN-504	C3	CAPACITOR—3.3 mmf., ceramic	.60	RDK-061		KNOB—Inner knob (black)	.20
UCN-1506	C7	CAPACITOR—6.8 mmf., ceramic	.60	RDK-110		KNOB—Outer knob (black)	.20
UCU-004	C2	CAPACITOR—10 mmf., mica	.25	RDP-020		POINTER—Dial scale pointer assembly	.85
UCU-020	C23, 24, 46	CAPACITOR—100 mmf., mica	.25	RDS-033		SCALE—Dial scale	2.40
UCU-044	C12	CAPACITOR—470 mmf., mica	.30	RDX-026		PLATE—Backplate assembly	1.65
UCU-060	C52	CAPACITOR—2200 mmf., mica	.50	RHC-010		CLIP—Insulator spring clip	.10
UCU-1032	C48	CAPACITOR—150 mmf., mica	.25	RHM-016		CLIP—Oscillator coil clip	.02
UCU-1040	C30, 31	CAPACITOR—330 mmf., mica	.30	RHM-026	L3	COIL—Antenna tuner coil (two-turn frame)	.35
UCW-1022	C50	CAPACITOR—56 mmf., ceramic	.60	RHM-027	L6	COIL—Oscillator tuner coil (two-turn frame)	.45
UOP-1206		SPEAKER—12-inch speaker	16.50	RHW-010		WASHER—(Two required on guide wire of tuner vane)	.01
URD-017	R7	RESISTOR—47 ohms, 1/2 w., carbon	.13	RII-001		INSULATOR—(Insulator for Mount- ing L3 and L6, 4 per set)	.10
URD-033	R4	RESISTOR—200 ohms, 1/2 w., carbon	.13	RJP-004	P1	PLUG—Phono plug	.10
URD-049	R29, 41	RESISTOR—1200 ohms, 1/2 w., carbon	.13	RJP-010	J2	JACK—Phono jack	.10
URD-053	R18	RESISTOR—1500 ohms, 1/2 w., carbon	.13	RJS-003		SOCKET—Tube socket (Octal)	.20
URD-057	R9, 24	RESISTOR—2200 ohms, 1/2 w., carbon	.13	RJS-011		SOCKET—Pilot lamp socket for Bezel	.65
URD-077	R26	RESISTOR—15,000 ohms, 1/2 w., car- bon	.13	RJS-014	J5	SOCKET—Preamplifier	.15
URD-089	R3, 11, 14, 15	RESISTOR—47,000 ohms, 1/2 w., car- bon	.13	RJS-044		SOCKET—Miniature for V1, V3, and V5	.35
URD-097	R40, 28, 31, 32, 37	RESISTOR—100,000 ohms, 1/2 w., car- bon	.13	RJS-049	J4	SOCKET—Phono-power	.25
URD-105	R10, 20	RESISTOR—220,000 ohms, 1/2 w., carbon	.13	RJS-055		SOCKET—Miniature for V2	.25
URD-113	R6, 21	RESISTOR—470,000 ohms, 1/2 w., carbon	.13	RJS-056		SOCKET—Dial light	.65
URD-133	R5, 35	RESISTOR—2.2 meg., 1/2 w., carbon	.13	KLA-013	L2	COIL—B-C antenna	4.75
URD-141	R19, 36	RESISTOR—6.8 meg., 1/2 w., carbon	.13	RLC-022	L4	PADDER—B-C oscillator	1.65
URD-1043	R38	RESISTOR—56 ohms, 1/2 w., carbon	.17	RLC-023	L5	COIL—B-C oscillator	1.45
URD-1045	R27	RESISTOR—680 ohms, 1/2 w., carbon	.17	RLI-004	L7	CHOKE—Power line choke	.90
URD-1076	R16	RESISTOR—13,000 ohms, 1/2 w., car- bon	.17	RLI-005	L8, L9, L10	CHOKE—Oscillator and FM antenna	1.00
URE-037	R22	RESISTOR—330 ohms, 1 w., carbon	.17	RLL-013		LOOP—Assembly	7.80
URF-051	R23	RESISTOR—1200 ohms, 2 w., carbon	.25	RMM-050		VANE—Antenna tuner vane for coil L3	.30
URF-067	R8, 13	RESISTOR—5600 ohms, 2 w., carbon	.25	RMM-051		VANE—Oscillator tuner vane for coil L6	.30
URF-077	R30	RESISTOR—15,000 ohms, 2 w., car- bon	.25	RMM-052		GUIDE WIRE—Connects vanes to elevator bar	.02
SPECIALIZED REPLACEMENT PARTS				RMS-043		ADJUSTING SCREW—On elevator bar	.15
RAA-006		ARM—Band switch	\$0.15	RMS-115		SPRING—Spring on tuning vane guide wires	.02
RAA-007		ARM—Tone switch	.50	RPX-010	R17, S3	PICKUP—Variable reluctance	7.95
RAB-038		BACK—Cabinet	4.45	RRC-033	S1	VOLUME—Control, 2 meg. and switch	1.65
RAL-001		BEZEL—on cabinet front	.10	RSW-024	S2	SWITCH—Band	4.25
RAV-031		CABINET—Model 355	140.00	RTD-004	T3	SWITCH—Tone control	1.10
RAV-034		CABINET—Model 354	140.00	RTL-031	T1	TRANSFORMER—Discriminator	7.15
RCC-014	C40	CAPACITOR—.005 mfd., paper	.25	RTL-032	T2	TRANSFORMER—1st I-F trans- former	6.70
RCC-040	C29	CAPACITOR—.01 mfd., oil	.30	RTP-028	T5	TRANSFORMER—2nd I-F trans- former	6.15
RCE-038	C33	CAPACITOR—.8 mfd., 25 v., elec- trolytic	.75	RTP-033	T5	TRANSFORMER—Power trans- former (60 cycles)	16.20
RCE-039	C39A, C39B, C39C, D	CAPACITOR—20 mfd., 25 v. CAPACITOR—15 mfd., 300 v. CAPACITOR—30 mfd., 350 v.	3.50	RWL-004		TRANSFORMER—Power trans- former (50 cycles)	20.25
RCW-001	C11	CAPACITOR—ceramic	.60			CORD—Power cord	.75
RCW-013	C49	CAPACITOR—10 mmf., ceramic	.60				
RCW-017	C4, 47	CAPACITOR—1.5 mmf., ceramic	.60				

PRICES SUBJECT TO CHANGE WITHOUT NOTICE

MODELS 356, 357, 358

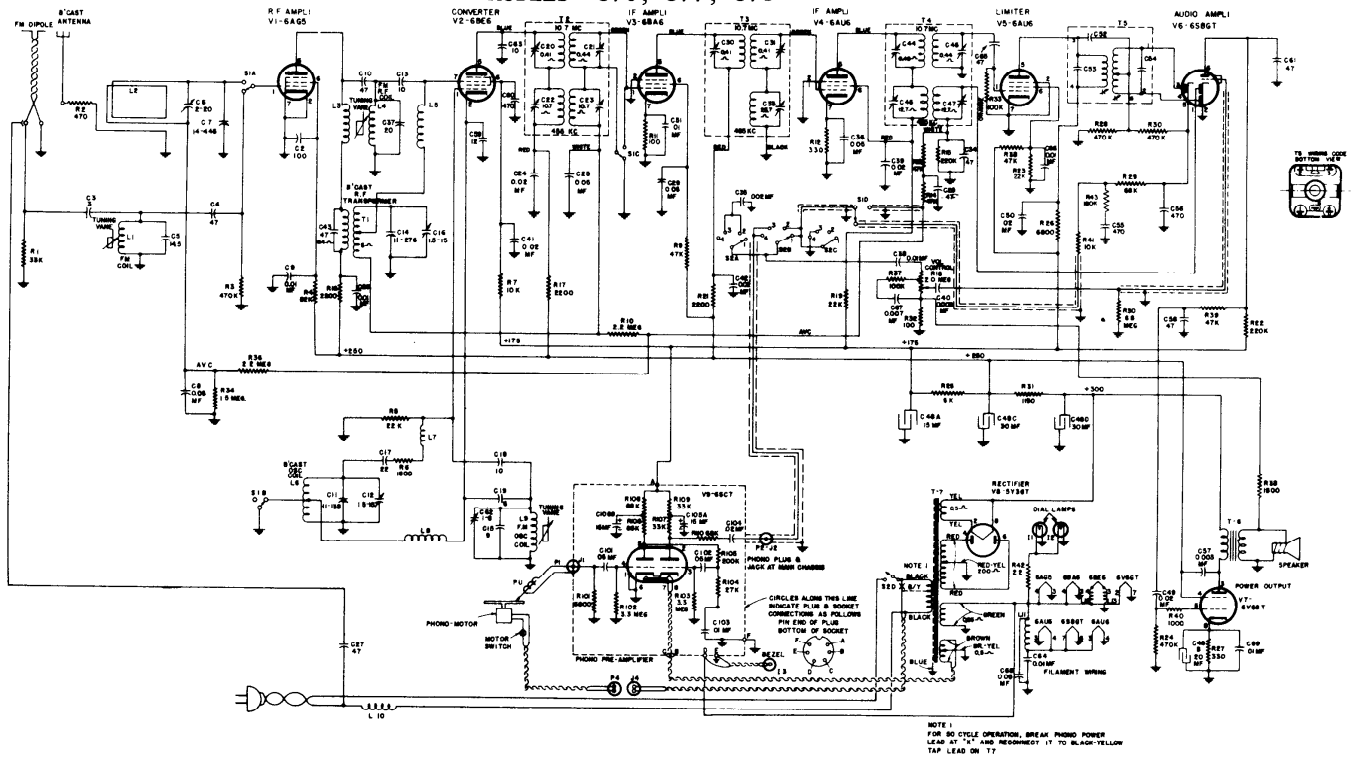


REPLACEMENT PARTS LIST—MODELS 356, 357, 358

Cat. No.	Symbol	Description	Sug- gested Unit List Price	Cat. No.	Symbol	Description	Sug- gested Unit List Price
UNIVERSAL REPLACEMENT PARTS				SPECIALIZED REPLACEMENT PARTS (Cont'd)			
UCC-003	C40	CAPACITOR—.003 mf., 200 v., paper	\$0.20	RCW-1056	C37	CAPACITOR—20.5 mmf., ceramic	.60
UCC-008	C38	CAPACITOR—.01 mf., 200 v., paper	.25	RCY-016	C6	CAPACITOR—Trimmer capacitor	.35
UCC-011	C8, 25, 36	CAPACITOR—.05 mf., 200 v., paper	.30	RCY-038	C69	CAPACITOR—Trimmer capacitor	1.00
UCC-025	C43, 65, 2, 70	CAPACITOR—.01 mf., 400 v., paper	.25	RDC-032		CORD—Dial drive cord (10 yard min.)	10/yd.
UCC-026	C24, 39, 49, 50	CAPACITOR—.02 mf., 400 v., paper	.25	RDD-009		DRUM—Tuner drum	.15
UCC-028	C9, 26, 29, 66	CAPACITOR—.05 mf., 400 v., paper	.25	RDK-110		KNOB—Black knob for band change and volume control	.20
UCC-039	C57	CAPACITOR—.005 mf., 600 v., paper	.25	RDK-123		KNOB—Ivory for band change and volume control	.30
UCC-621	C35	CAPACITOR—.002 mf., 200 v., paper	.25	RDK-124		KNOB—Black for tone control	.35
UCU-020	C27, 28, 34, 58	CAPACITOR—47 mmf., mica	.25	RDK-125		KNOB—Ivory for tone control	.35
UCU-044	C1, 55	CAPACITOR—470 mmf., mica	.30	RDK-126		KNOB—Black for tuning control	.35
UCU-520	C61	CAPACITOR—470 mmf., mica	.30	RDK-127		KNOB—Ivory for tuning control	.35
UCU-544	C56	CAPACITOR—470 mmf., mica	.30	RDS-065		SCALE—Dial scale for Models 356, 357	1.45
UCW-044	C41, 42, 60, 71	CAPACITOR—470 mmf., ceramic	.60	RDS-066		SCALE—Dial scale for Model 358	1.45
UCW-2004	C18, 68	CAPACITOR—10 mmf., ceramic	.60	RDX-039		POINTER—Dial pointer assembly	.40
UOP-527		SPEAKER—PM speaker	5.00	RHJ-006		SPACERS—For mounting tuner assembly, 3 required	.05
URD-005	R34	RESISTOR—15 ohms, 1/2 w., carbon	.13	RHM-038		TUNER FRAME—2 required for coils L1, L4 and L9	.20
URD-009	R32	RESISTOR—22 ohms, 1/2 w., carbon	.13	RHX-011		GROMMET—For mounting tuner assembly, three required	.10
URD-021	R11	RESISTOR—68 ohms, 1/2 w., carbon	.13	RII-010		INSULATOR—Tuner insulator	.10
URD-033	R7, 12	RESISTOR—220 ohms, 1/2 w., carbon	.13	RJS-003		SOCKET—Octal tube socket	.20
URD-041	R2, 49	RESISTOR—470 ohms, 1/2 w., carbon	.13	RJS-098		SOCKET—Pilot light socket	.50
URD-049	R36	RESISTOR—1000 ohms, 1/2 w., carbon	.13	RJS-105		SOCKET—Miniature tube socket	.20
URD-055	R6	RESISTOR—1800 ohms, 1/2 w., carbon	.13	RJX-019		INTERLOCK ASSEMBLY	.40
URD-057	R19	RESISTOR—2200 ohms, 1/2 w., carbon	.13	RLA-012	L3, 5, 7	COIL—FM R-F choke coil	1.05
URD-081	R5	RESISTOR—22,000 ohms, 1/2 w., carbon	.13	RLB-024	T1	TRANSFORMER—B-C R-F transformer	2.95
URD-085	R1, 26	RESISTOR—33,000 ohms, 1/2 w., carbon	.13	RLC-060	L6	COIL—B-C oscillator coil	1.10
URD-089	R3, 13, 14, 35	RESISTOR—47,000 ohms, 1/2 w., carbon	.13	RLF-012	L8	COIL—FM oscillator choke coil	1.00
URD-093	R29	RESISTOR—68,000 ohms, 1/2 w., carbon	.13	RLI-005	L13, 14	COIL—FM oscillator choke coil	.65
URD-097	R33, 37	RESISTOR—100,000 ohms, 1/2 w., carbon	.13	RLI-044	L10	COIL—FM power line choke coil	.75
URD-105	R15	RESISTOR—220,000 ohms, 1/2 w., carbon	.13	RLX-014	L2	LOOP AND BACK ASSEMBLY—For Model 358	7.50
URD-109	R22	RESISTOR—330,000 ohms, 1/2 w., carbon	.13	RLX-016	L2	LOOP AND BACK ASSEMBLY—For Models 356 and 357	7.50
URD-113	R24, 28, 30	RESISTOR—470,000 ohms, 1/2 w., carbon	.13	RMG-009		GEAR—Plastic gear segment on tone control	.30
URD-129	R8, 10, 38	RESISTOR—2.2 meg., 1/2 w., carbon	.13	RMS-076		SCREW—Adjusting screw for tuning vane	.15
URD-141	R20	RESISTOR—6.8 meg., 1/2 w., carbon	.13	RMS-125		SPRING—Tuner arm return spring	.10
URE-029	R27	RESISTOR—150 ohms, 1 w., carbon	.17	RMS-126		SPRING—Vane holder spring	.15
URE-037	R25, 31	RESISTOR—330 ohms, 1 w., carbon	.17	RMS-130		SPRING—Dial cord tension spring	.15
SPECIALIZED REPLACEMENT PARTS				RMX-108		TUNER VANE AND WIRE ASSEMBLY—For L1 and L4	.30
RAU-012		CABINET—Brown plastic, for Model 356	9.75	RMX-110		TUNER VANE AND WIRE ASSEMBLY—For L9	.30
RAU-013		CABINET—Ivory plastic, for Model 357	13.75	RMW-004		PULLEY—Dial cord idler pulley	.10
RAV-052		CABINET—Wood, for Model 358	8.25	RRC-076	R18, S2	VOLUME CONTROL AND POWER SWITCH	1.65
RCC-087	C67	CAPACITOR—.01 mf., 200 v.	.30	RRW-008	R21	RESISTOR—Flexible, 18 ohms	.35
RCE-065	C48A, B, C, D	CAPACITOR—Electrolytic	3.45	RRW-025	R16, 17	RESISTOR—70 ohms, tapped at 30 ohms, wirewound	1.10
RCT-028		CAPACITOR—Tuning capacitor	8.25	RSI-003		INTERLOCK ASSEMBLY—(Male)	.15
RCW-020	C13, 63	CAPACITOR—10 mmf., ceramic	.60	RSW-049	S1	SWITCH—Band change switch	1.85
RCW-1048	C3	CAPACITOR—3 mmf., ceramic	.60	RSW-050	S3	SWITCH—Tone control switch	1.05
RCW-1050	C19	CAPACITOR—6 mmf., ceramic	.60	RTD-006	T5	TRANSFORMER—Discriminator	4.95
RCW-1052	C4, 10, 64	CAPACITOR—47 mmf., ceramic	.60	RTL-062	T2	TRANSFORMER—1st I-F transformer	4.95
RCW-1053	C17	CAPACITOR—22 mmf., ceramic	.60	RTL-064	T4	TRANSFORMER—3rd I-F transformer	4.95
RCW-1054	C5	CAPACITOR—15.3 mmf., ceramic	.60	RTL-072	T3	TRANSFORMER—2nd I-F transformer	4.95
RCW-1055	C15	CAPACITOR—11.7 mmf., ceramic	.60	RTO-044	T6	TRANSFORMER—Output transformer	3.90
				RWL-009		CORD—Power cord	.70

PRICES SUBJECT TO CHANGE WITHOUT NOTICE

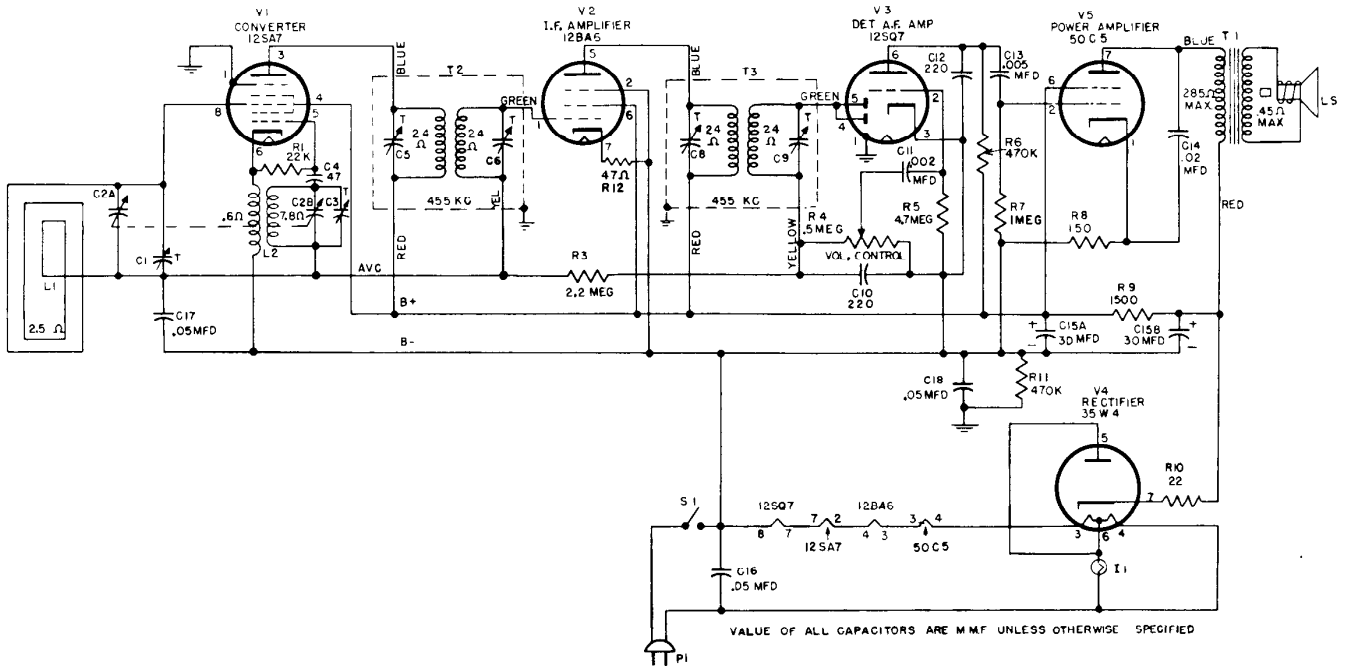
MODELS 376, 377, 378



MODELS 376, 377, 378—REPLACEMENT PARTS LIST

Cat. No.	Symbol	Description	Sug- gested Unit List Price	Cat. No.	Symbol	Description	Sug- gested Unit List Price
UNIVERSAL REPLACEMENT PARTS				SPECIALIZED REPLACEMENT PARTS (Cont'd)			
UCC-621	C35	CAPACITOR—.002 mf., 600 v., paper	\$0.25	RCW-1048	C3	CAPACITOR—3 mmf., ceramic	\$0.60
UCC-623	C40	CAPACITOR—.003 mf., 600 v., paper	.25	RCW-1049	C5	CAPACITOR—14.5 mmf., ceramic	.60
UCC-630	C38, 51, 69, 64, 66, 9, 26, 103	CAPACITOR—.01 mf., 600 v., paper	.30	RCW-1050	C19	CAPACITOR—6 mmf., ceramic	.60
UCC-631	C24, 41, 42, 49, 50, 39, 104	CAPACITOR—.02 mf., 600 v., paper	.30	RCW-1051	C15	CAPACITOR—9 mmf., ceramic	.60
UCC-635	C29, 101, 102, 8, 25, 68	CAPACITOR—.05 mf., 600 v., paper	.35	RCW-1052	C4, 10	CAPACITOR—47 mmf., ceramic	.60
UCU-020	C27, 28, 34, 58	CAPACITOR—47 mmf., mica	.25	RCW-1053	C17	CAPACITOR—22 mmf., ceramic	.60
UCU-028	C2	CAPACITOR—100 mmf., mica	.25	RCY-037	C6	CAPACITOR—Trimmer, 2-20 mmf.	.40
UCU-044	C56, 55	CAPACITOR—470 mmf., mica	.30	RCY-038	C62	CAPACITOR—Trimmer, 1-8 mmf.	1.00
UCU-520	C61	CAPACITOR—47 mmf., mica	.30	RDC-033		CORD—Dial drive cord, 10 yard length	1.00/yd
UCU-1034	C55	CAPACITOR—180 mmf., mica	.25	RDD-009		DRUM	.15
UCW-044	C60	CAPACITOR—470 mmf., ceramic	.60	RDE-005		ESCUTCHEON	3.40
UCW-1020	C43	CAPACITOR—47 mmf., ceramic	.60	RDK-030		KNOB—With Arrow	.10
UCW-2004	C18	CAPACITOR—10 mmf., ceramic	.60	RDK-031		KNOB—Plain	.10
UCW-2006	C59	CAPACITOR—12 mmf., ceramic	.60	RDK-079		KNOB—Plain, for Model 377	.15
UCW-2011	C37	CAPACITOR—20 mmf., ceramic	.60	RDK-116		KNOB—With Arrow, for Model 377	.15
UOP-1206		SPEAKER—12-inch PM speaker same as S1200D-7	16.50	RDM-007		BUSHING—For tuning shaft	.30
UOX-005		SPEAKER REPAIR KIT—Cone, voice coil and spider assembly, dust cap and gasket	1.55	RDS-058		SCALE—Dial scale	1.90
URD-009	R5, 19, 23	RESISTOR—22,000 ohms, 1/2 w., carbon	.13	RDX-035		POINTER—Dial pointer assembly	.45
URD-013	R1, 107, 109	RESISTOR—33,000 ohms, 1/2 w., carbon	.13	RHG-010		GROMMET—Rubber grommet for mounting tube socket on preampli- fier	.05
URD-017	R9, 13, 14, 38, 39	RESISTOR—47,000 ohms, 1/2 w., carbon	.13	RHJ-006		SPACER—For mounting tuner assembly	.05
URD-021	R11	RESISTOR—68 ohms, 1/2 w., carbon	.13	RHM-038	L1, 4, 9	COIL—For guillotine tuner, 2 required per coil	.20
URD-025	R32	RESISTOR—100 ohms, 1/2 w., carbon	.13	RHX-011		CLIP (For pilot lights)	.10
URD-033	R12	RESISTOR—220 ohms, 1/2 w., carbon	.13	RII-010		GROMMET (Tuner mounting grommet)	.10
URD-041	R2	RESISTOR—470 ohms, 1/2 w., carbon	.13	RJJ-004	J3	INSULATOR—Mounting insulator for guillotine tuner	.10
URD-049	R40	RESISTOR—1000 ohms, 1/2 w., carbon	.13	RJP-003		SOCKET—Preamplifier power socket	.20
URD-053	R35	RESISTOR—1500 ohms, 1/2 w., carbon	.13	RJP-004		PLUG—Phono motor power	.15
URD-055	R6	RESISTOR—1800 ohms, 1/2 w., carbon	.13	RJP-010	P1	PLUG—Pick-up output plug	.10
URD-057	R16, 17, 21	RESISTOR—2200 ohms, 1/2 w., carbon	.13	RJP-018	P2, 4	PLUG—Preamplifier output plug	.10
URD-069	R26, 101	RESISTOR—6800 ohms, 1/2 w., carbon	.13	RJS-003	J2	SOCKET—Preamplifier power plug	.25
URD-073	R7, 41	RESISTOR—10,000 ohms, 1/2 w., car- bon	.13	RJS-049	J1	SOCKET—Phono input to preamplifier	.10
URD-083	R104	RESISTOR—27,000 ohms, 1/2 w., car- bon	.13	RJS-085	J4	SOCKET—Tube socket for V6	.20
URD-093	R29, 106, 108, 110	RESISTOR—68,000 ohms, 1/2 w., car- bon	.13	RJS-106		SOCKET—Phono power socket	.25
URD-095	R4	RESISTOR—82,000 ohms, 1/2 w., car- bon	.13	RLA-012	L3, 5, 7	SOCKET—Octal socket for preampli- fier	.20
URD-097	R33, 37	RESISTOR—100,000 ohms, 1/2 w., carbon	.13	RLB-024		SOCKET—Pilot light	.40
URD-103	R43	RESISTOR—180,000 ohms, 1/2 w., carbon	.13	RLC-060	L6	COIL—FM choke coil	1.05
URD-105	R15, 22	RESISTOR—220,000 ohms, 1/2 w., carbon	.13	RLF-007	L11, 8	TRANSFORMER—Broadcast R-F	2.95
URD-113	R3, 24, 28, 30	RESISTOR—470,000 ohms, 1/2 w., carbon	.13	RLI-005	L12, 13	COIL—B-C oscillator coil	1.10
URD-125	R34	RESISTOR—1.5 meg., 1/2 w., carbon	.13	RLI-044	L10	COIL—FM oscillator choke and fila- ment choke coil	1.00
URD-129	R10, 36	RESISTOR—2.2 meg., 1/2 w., carbon	.13	RLL-027	L2	COIL—Filament choke	1.00
URD-133	R102, 103	RESISTOR—3.3 meg., 1/2 w., carbon	.13	RMM-006		COIL—FM power line choke coil	.75
URD-141	R20	RESISTOR—6.8 meg., 1/2 w., carbon	.13	RMM-035		LOOP—Broadcast loop	2.30
URD-1104	R105	RESISTOR—200,000 ohms, 1/2 w., carbon	.17	RMS-044		SHIELD—Pilot light	.05
URE-037	R27	RESISTOR—330 ohms, 1 w., carbon	.17	RMS-055		HOOD—Lamp hood	.05
				RMS-130		SPRING—Vane holder spring	.03
				RMS-125		SPRING—Dial cord tension spring	.15
				RMS-126		SPRING—Lever plate spring	.10
				RMW-042		SPRING—Vane holder	.15
				RMX-108	L1, 4	PULLEY—Dial cord idler	.25
				RMX-109		TUNER VANE AND GUIDE WIRE ASSEMBLY	.30
				RMX-110	L9	TUNING SHAFT ASSEMBLY	.50
				RRC-074	R18	TUNER VANE AND GUIDE WIRE ASSEMBLY	.30
				RRN-006	R42	VOLUME CONTROL	1.25
				RRW-010	R25, 31	RESISTOR—2.2 ohms, 1/2 w.	.25
				RSW-047	S1	RESISTOR—5000 ohms, wirewound	1.25
				RSW-048	S2	SWITCH—Bandchange switch	1.60
				RTD-006	T5	SWITCH—Radio, phono and tone control	2.55
				RTL-062	T2	TRANSFORMER—Discriminator transformer	4.95
				RTL-063	T3	TRANSFORMER—1st I-F trans- former	4.95
				RTL-064	T4	TRANSFORMER—2nd I-F trans- former	4.75
				RTO-040	T6	TRANSFORMER—3rd I-F trans- former	4.95
				RTP-058	T7	TRANSFORMER—Output trans- former	3.35
				RTP-059	T7	TRANSFORMER—Power trans- former (60 cycles)	9.95
				RWL-004		TRANSFORMER—Power trans- former (50 cycles)	19.50
						CORD—Power cord	.75
SPECIALIZED REPLACEMENT PARTS							
RAL-001		BEZEL—Pilot light	\$0.10				
RAV-047		CABINET—For Model 376	135.00				
RAV-048		CABINET—For Model 377	128.00				
RAV-049		CABINET—For Model 378	155.00				
RCC-001	C67	CAPACITOR—.007 mf., 200 v., paper	.25				
RCC-014	C57	CAPACITOR—.003 mf., 1000 v., paper	.25				
RCC-086	C36	CAPACITOR—.05 mf., paper	.30				
RCE-029	C48A, B, C, D	CAPACITOR—Electrolytic	3.45				
RCE-030	C105A, B	CAPACITOR—Electrolytic for preamp	1.50				
RCT-028	C7, 11, 14	CAPACITOR—Tuning	8.25				
RCW-020	C13, 63	CAPACITOR—10 mmf., ceramic	.60				

MODELS 400, 401, 411

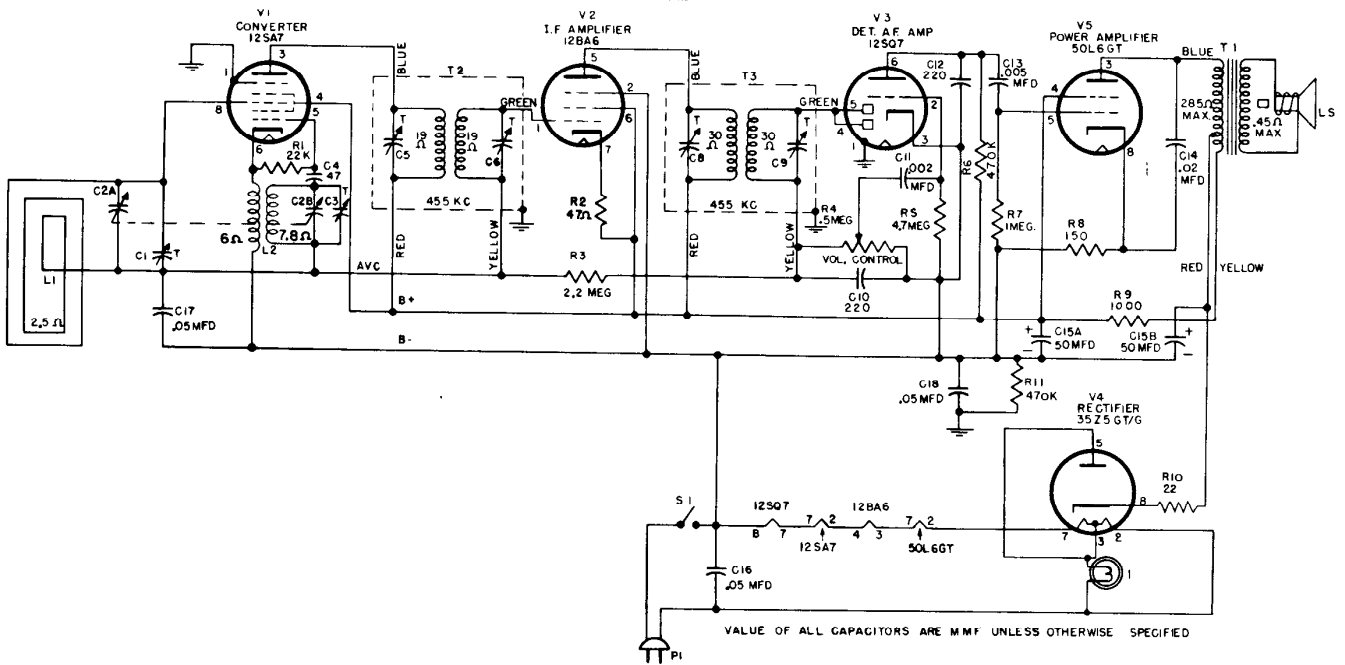


MODELS 400, 401, 411—REPLACEMENT PARTS LIST

Cat. No.	Symbol	Description	Suggested Unit List Price	Cat. No.	Symbol	Description	Suggested Unit List Price
UNIVERSAL REPLACEMENT PARTS				SPECIALIZED REPLACEMENT PARTS (Cont'd)			
*UCC-041	C14	CAPACITOR—.02 mfd., 600 v., paper	\$0.25	*RCW-3013	C10, 11, 12, 13	CAPACITOR—BULL PLATE, .002 mf., 220 mmf., 220, mmf., and .005 mfd.	\$0.60
*UCC-045	C16, C17, C18	CAPACITOR—.05 mfd., 600 v., paper	.30	*RDC-032		DIAL CORD—25 yards	2.50
*UCC-020	C4	CAPACITOR—47 mmf., 600 v., mica	.25	*RDK-174		KNOB (400) (Wheat)	.15
*URD-009	R10	RESISTOR—22 ohms, 1/2 w., carbon	.13	*RDK-175		KNOB (401, 411) (Maroon)	.15
*URD-017	R12	RESISTOR—47 ohms, 1/2 w., carbon	.13	RDP-052		POINTER—Dial pointer	
*URD-029	R8	RESISTOR—150 ohms, 1/2 w., carbon	.13	RDS-095		BACK PLATE AND DIAL SCALE	
*URD-081	R1	RESISTOR—22K ohms, 1/2 w., carbon	.13	RDW-021		WINDOW—Dial window	.60
*URD-113	R6, R11	RESISTOR—470K ohms, 1/2 w., carbon	.13	*RHC-017		CLIP—Oscillator mounting	.02
*URD-121	R7	RESISTOR—1 meg., 1/2 w., carbon	.13	*RHG-018		GROMMET (For mounting tuning ca- pacitor)	.05
*URD-129	R3	RESISTOR—2.2 meg., 1/2 w., carbon	.13	*RHH-002		TRIMONT STUD (For mounting dial glass)	.02
*URD-137	R5	RESISTOR—4.7 meg., 1/2 w., carbon	.13	*RHJ-007		SPACER (For mounting tuning capacitor)	.05
*URF-053	R9	RESISTOR—1500 ohms, 2 w., carbon	.25	*RJS-003		TUBE SOCKET—For V1 and V3	.20
*S403D	LS1	SPEAKER, PM SPEAKER—4 inch	3.75	*RJS-092		TUBE SOCKET—For V4	.20
SPECIALIZED REPLACEMENT PARTS				*RJS-141		TUBE SOCKET—For V2	.20
*RAB-095	L1	LOOP BACK	\$1.55	*RJS-031		PILOT LIGHT SOCKET ASSEMBLY	.40
*RAU-306		CABINET (400) (Brown)	5.95	*RLC-090	L2	OCILLATOR COIL	.90
*RAU-307		CABINET (401) (Ivory)	7.95	*RMS-118		SPRING—Drum spring	.10
*RAU-321		CABINET (411) (Maroon)	5.95	RMX-170		DRIVE SHAFT BUSHING ASSEMBLY	
RCE-127	C15A, C16B	ELECTROLYTIC CAPACITOR—30-30 mf., 150 v.	2.60	*RRC-106	R4, S1	VOLUME CONTROL AND SWITCH	1.65
RCT-042	C1, C2A, C2B, C3	TUNING CAPACITOR		RTL-117	T2	1st I.F. TRANSFORMER	1.90
				RTL-117	T3	2nd I.F. TRANSFORMER	1.90
				*RTO-069	T1	OUTPUT TRANSFORMER	1.75
				*RWL-009		POWER CORD	.70

* Used on previous models.
Note: Prices subject to change without notice.

MODEL 402

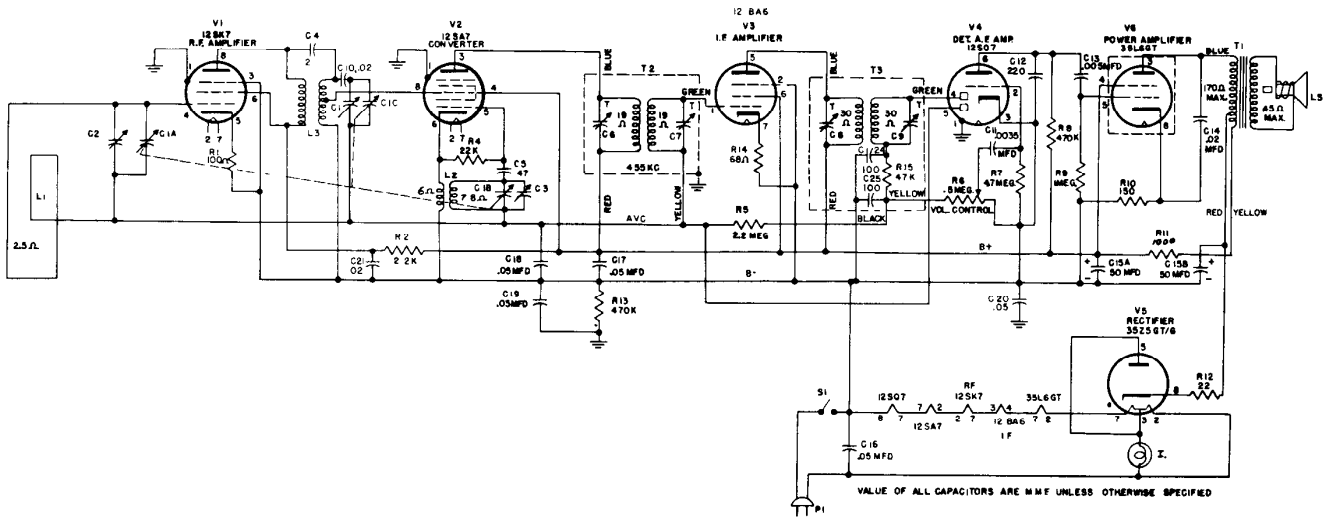


MODEL 402

Cat. No.	Symbol	Description	Suggested Unit List Price	Cat. No.	Symbol	Description	Suggested Unit List Price
UNIVERSAL REPLACEMENT PARTS				SPECIALIZED REPLACEMENT PARTS (CONT'D)			
*UCC-041	C14	CAPACITOR—.02 mf., 600 v., paper	\$0.25	*RCE-050	C15A, B	CAPACITOR—Electrolytic—50 mf., 150 v., 50 mf., 150 v.	\$2.10
UCC-036	C11	CAPACITOR—.002 mf., 600 v., paper (alternate replacement for C11 of RCW-3013)	.30	*RCT-036	C2A, B	CAPACITOR—Tuning	3.95
UCC-039	C13	CAPACITOR—.005 mf., 600 v., paper (alternate replacement for C13 of RCW-3013)	.30	*RCW-3013	C10, 11, 12, 13	CAPACITOR—.220 mmf., .002 mf., 220 mmf., .005 mf. respectively (Bull Plate)	1.00
*UCC-045	C16, C17, C18	CAPACITOR—.05 mf., 600 v., paper	.30	*RDC-032		DIAL CORD—Quantity, 25 yds.	2.50
*UCU-020	C4	CAPACITOR—47 mmf., 500 v., mica	.60	*RDK-181		KNOB—Volume or tuning control	.15
UCU-1036	C10, C12	CAPACITOR—220 mmf, mica (alternate replacement for C10 or C12 of RCW-3013)	.30	*RDF-049		POINTER—Dial scale pointer	.25
*URD-009	R10	RESISTOR—22 ohms, ½ w., carbon	.13	RDS-096		DIAL SCALE	
URD-017	R2	RESISTOR—47 ohms, ½ w., carbon	.13	*RHC-017		CLIP—Osc. coil clip for L2	.02
*URD-029	R8	RESISTOR—150 ohms, ½ w., carbon	.13	*RHC-024		CLIP—(capacitor mounting) 1 in.	.10
*URD-081	R1	RESISTOR—22,000 ohms, ½ w., carbon	.13	*RHG-018		GROMMET (Tuning Gang mounting)	.05
*URD-113	R6, R11	RESISTOR—470,000 ohms, ½ w., carbon	.13	*RHH-004		SNAP FASTENER (For Loop Back)	.02
*URD-121	R7	RESISTOR—1 megohm, ½ w., carbon	.13	*RHJ-007		SPACER (Tuning Gang Mounting)	.02
*URD-129	R3	RESISTOR—2.2 megohms, ½ w., carbon	.13	*RHM-039		CLIP—(Pilot light) ½ in.	.02
*URD-137	R5	RESISTOR—4.7 megohms, ½ w., carbon	.13	*RHM-046		MOUNTING CLIP (Dial scale)	.02
*URF-049	R9	RESISTOR—1000 ohms, 2 w., carbon	.25	*RJC-004		CLIP (Antenna loop connecting clip)	.02
				*RJS-003		TUBE SOCKET—For V1, 3, 4 and 5	.20
				*RJS-141		TUBE SOCKET—For V2	.20
				*RJS-096		PILOT LIGHT SOCKET	.35
				*RLC-090	L2	OSCILLATOR COIL	.90
				*RMS-118		DRUM SPRING (Dial cord spring)	.10
				*RMX-149		TUNING SHAFT AND BUSHING ASSEMBLY	.60
				*RRC-077	R4, S1	VOLUME CONTROL AND SWITCH	1.65
				*RTL-092	T2	1st I.F. TRANSFORMER	2.10
				*RTL-093	T3	2nd I.F. TRANSFORMER	2.10
				*RTO-078	T1	OUTPUT TRANSFORMER	1.75
				*RWL-009		POWER CORD	.70
				S527D		SPEAKER—5½ in.	
SPECIALIZED REPLACEMENT PARTS							
*RAB-108	L1	CABINET BACK AND LOOP ASSEMBLY	\$1.60				
*RAU-311		CABINET—(brown)	6.95				

*Used on previous Models.
Prices subject to change without notice.

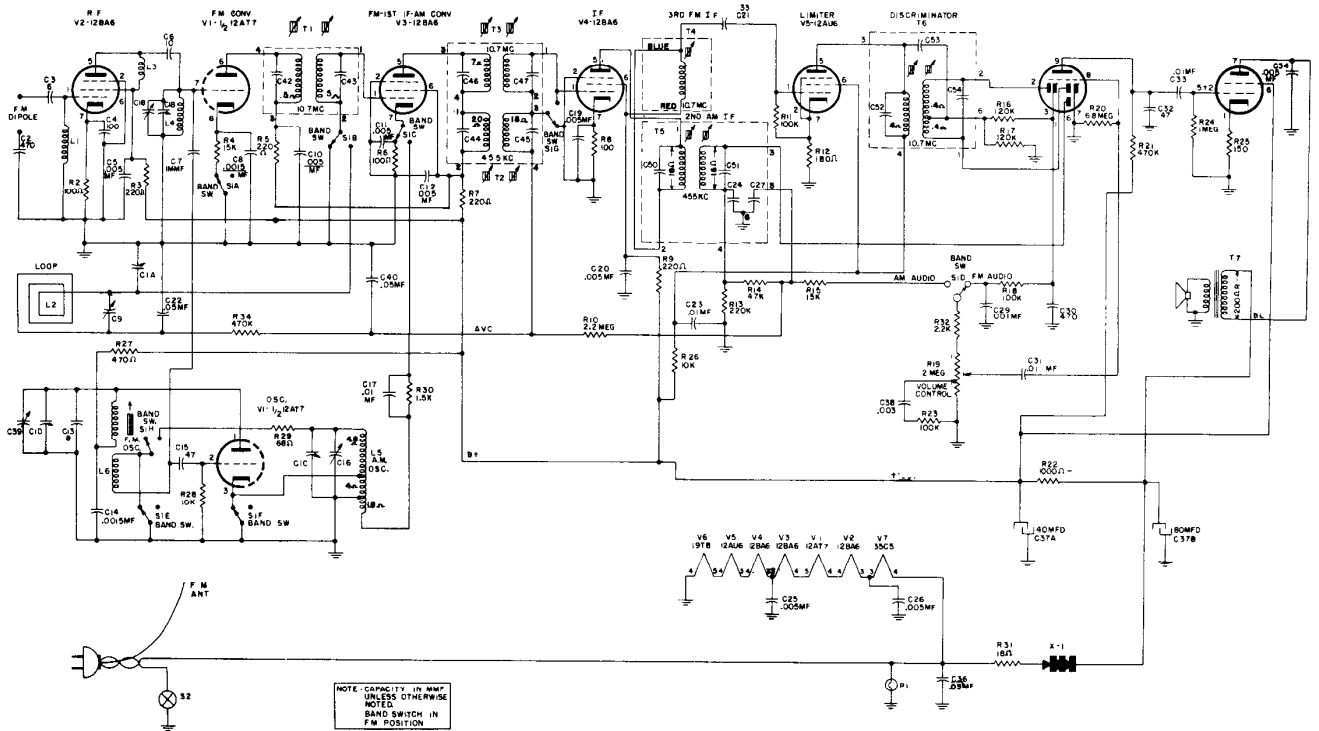
MODELS 404, 405, 410



MODELS 404, 405 AND 410 REPLACEMENT PARTS LIST

Cat. No.	Symbol	Description	Sug- gested Unit List Price	Cat. No.	Symbol	Description	Sug- gested Unit List Price
UNIVERSAL REPLACEMENT PARTS				SPECIALIZED REPLACEMENT PARTS (CONT'D)			
UCC-037	C11	CAPACITOR—.003 mf., 600 v., paper (alternate replacement for RCW-3036)	\$0.25	RDK-229		KNOB—Model 405	
UCC-039	C13	CAPACITOR—.005 mf., 600 v., paper (alternate replacement for RCW-3036)	.30	RDM-024		MASK—Cardboard mask	
UCC-041	C14, C21	CAPACITOR—.02 mf., 600 v., paper	.25	RDP-055		POINTER—Dial scale pointer Models 404, 405	
UCC-045	C16, C17, C18, C19, C20	CAPACITOR—.05 mf., 600 v., paper	.30	RDP-057		POINTER—Dial scale pointer Model 410	
UCU-020	C5	CAPACITOR—47 mmf., mica	.60	RDS-100		DIAL SCALE, Models 404 & 405	
UCU-028	C4	CAPACITOR—100 mmf., mica	.25	RDS-101		DIAL SCALE, Model 410	
UCU-1036	C10, C12	CAPACITOR—220 mmf., mica (alternate replacement for RCW-3036)	.30	RHC-017		CLIP—Mounting clip for oscillator coil L2	\$0.02
URD-009	R12	RESISTOR—22 ohms, ½ w., carbon	.13	RHC-037		CLIP—for dial drum	
URD-021	R14	RESISTOR—68 ohms, ½ w., carbon	.13	RHC-038		CLIP—for RF coil	
URD-025	R1	RESISTOR—100 ohms, ½ w., carbon	.13	RHG-006		GROMMET—On tuning shaft	.05
URD-029	R10	RESISTOR—150 ohms, ½ w., carbon	.13	RHG-018		GROMMET—Cushion mounting for tuning capacitor	.05
URD-057	R2	RESISTOR—2.2 K ohms, ½ w., carbon	.13	RHG-032		GROMMET—Speaker lead ins.	.02
URD-081	R4	RESISTOR—22,000 ohms, ½ w., carbon	.13	RHH-004		SNAP FASTENER—Holds loop back to cabinet	.02
URD-113	R8, R13	RESISTOR—470,000 ohms, ½ w., carbon	.13	RHJ-007		SPACER—Spacer bushing for mounting tuning capacitor	.05
URD-121	R9	RESISTOR—1 meg., ½ w., carbon	.13	RHS-061		SCREW—for loop back mounting	
URD-129	R5	RESISTOR—2.2 meg., ½ w., carbon	.13	RHS-062		SCREW—for chassis mounting	
URD-137	R7	RESISTOR—4.7 meg., ½ w., carbon	.13	RHS-063		SCREW—for tuning capacitor mounting	
URF-049	R11	RESISTOR—1000 ohms, 2 w., carbon	.25	RJC-004		CONNECTOR—Antenna loop lead connecting clip	.02
SPECIALIZED REPLACEMENT PARTS				RJS-003		SOCKET—Tube socket	.20
RAB-142	L1	CABINET BACK—With antenna loop, Models 404, & 405		RJS-141		SOCKET—Tube socket for 12 BA6	
RAB-143	L1	CABINET BACK—With antenna loop, Model 410		RJS-151		SOCKET ASSEMBLY—Pilot light socket	
RAV-128		CABINET—Wood cabinet, Model 410		RLC-105	L2	COIL—Oscillator coil	
RAU-345		CABINET—Brown cabinet (plastic) with dial scale & knob bezels, for Model 404		RLI-125		COIL—R-F coil	
RAU-346		CABINET—Ivory cabinet (plastic) with dial scale & knob bezels, 405		RMS-118		SPRING—Dial cord tension spring	.10
RCE-050	C15A, B	CAPACITOR—50 mf., 150 v., 50 mf., 150 v.; dry electrolytic	\$2.10	RMW-070		PULLEY—Idler pulley	
RCN-039	C4	CAPACITOR 2 mmf., mica		RMX-174		SHAFT AND BUSHING—Tuning shaft and mounting bushing, Models 404 & 405	
RCT-046	C1A, B, C, C2, C3	CAPACITOR—Tuning capacitor with trimmers		RMX-175		DRIVE SHAFT AND BUSHING ASSEMBLY, for Model 410	
RCW-3036	C11, C12, C13	CAPACITOR—.0035 mf., 220 mmf., .005 mf., three section, ceramic (see UCC-037, UCC-039, UCU-1036)		ROP-020		SPEAKER—PM speaker, Models 404 and 405	
RDC-032		CORD—Bulk dial cord	2.50	RRC-149	R6, S1	POTENTIOMETER—500,000 ohms; volume control and switch S1, Models 404 and 405	
RDK-181		KNOB—Model 404	.15	RRC-150		POTENTIOMETER—0.5 megohm volume control and switch, Model 410	
RDK-228		KNOB—Knob and Bezel assembly, Model 410		RTL-115	T2	TRANSFORMER—First i-f transformer	
				RTL-116	T3	TRANSFORMER—Second i-f transformer	
				RTO-083	T1	TRANSFORMER—Audio output transformer	1.80
				RWL-009		POWER CORD—A-c power cord and plug	.70

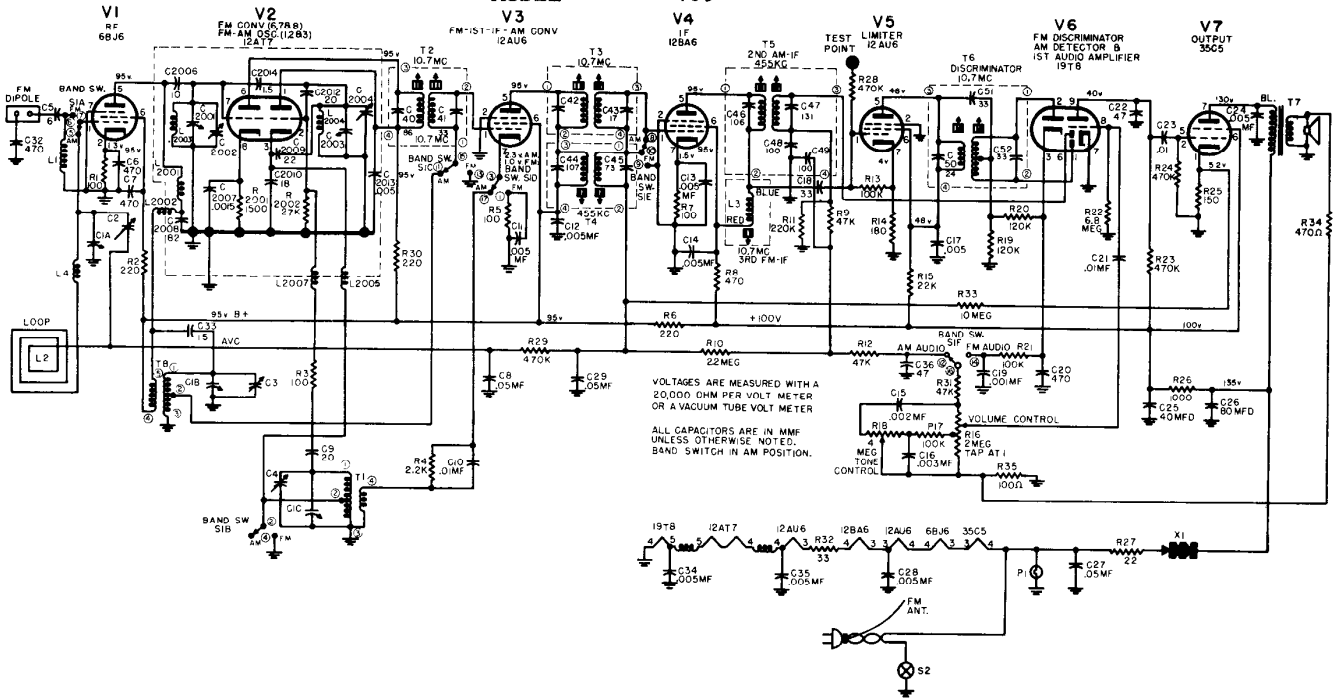
MODEL 408



**MODEL 408
REPLACEMENT PARTS LIST**

Cat. No.	Symbol	Description	Suggested Unit List Price	Cat. No.	Symbol	Description	Suggested Unit List Price
UNIVERSAL REPLACEMENT PARTS							
*UCC-035	C29	CAPACITOR—.001 mfd., 600 v., paper	\$0.25	*URD-041	R27	RESISTOR—470 ohms, 1/2 w., carbon	\$0.13
UCC-037	C38	CAPACITOR—.003 mfd., 600 v., paper	.25	*URD-053	R4, R30	RESISTOR—1500 ohms, 1/2 w., carbon	.13
*UCC-039	C34, 36	CAPACITOR—.005 mfd., 600 v., paper	.25	*URD-057	R32	RESISTOR—2200 ohms, 1/2 w., carbon	.13
*UCC-040	C17, C23, C31, C33	CAPACITOR—.01 mfd., 600 v., paper	.25	*URD-073	R26, R28	RESISTOR—10,000 ohms, 1/2 w., carbon	.13
*UCC-045	C40, C22	CAPACITOR—.05 mfd., 600 v., paper	.30	*URD-077	R15	RESISTOR—15,000 ohms, 1/2 w., carbon	.13
UCG-002	C3	CAPACITOR—6 mmf., mica	.25	*URD-089	R14	RESISTOR—47,000 ohms, 1/2 w., carbon	.13
UCG-004	C6	CAPACITOR—10 mmf., mica	.25	*URD-097	R11, R18, R23	RESISTOR—100,000 ohms, 1/2 w., carbon	.13
UCG-016	C21	CAPACITOR—33 mmf., mica	.25	*URD-099	R16, R17	RESISTOR—120,000 ohms, 1/2 w., carbon	.13
*UCG-020	C15, C32	CAPACITOR—47 mmf., mica	—	*URD-105	R13	RESISTOR—220,000 ohms, 1/2 w., carbon	.13
*UCU-044	C2, C30	CAPACITOR—470 mmf., mica	.30	*URD-113	R21, R24, R34	RESISTOR—470,000 ohms, 1/2 w., carbon	.13
*URD-007	R31	RESISTOR—18 ohms, 1/2 w., carbon	.13	*URD-129	R10	RESISTOR—2.2 meg., 1/2 w., carbon	.13
*URD-021	R29	RESISTOR—68 ohms, 1/2 w., carbon	.13	*URD-141	R20	RESISTOR—6.8 meg., 1/2 w., carbon	.13
*URD-025	R2, R6, R8	RESISTOR—100 ohms, 1/2 w., carbon	.13				
*URD-029	R25	RESISTOR—150 ohms, 1/2 w., carbon	.13				
*URD-031	R12	RESISTOR—180 ohms, 1/2 w., carbon	.13				
*URD-033	R3, R5, R7, R9	RESISTOR—220 ohms, 1/2 w., carbon	.13				
SPECIALIZED REPLACEMENT PARTS							
RAB-129	L2	LOOP AND BACK ASSEMBLY	\$2.20	*RHX-010		SPACER—(Tuning condenser)	\$0.25
RAD-049		BRACKET (Pilot light)	.05	RJS-118		GROMMET—(Tuning condenser)	
RAU-335		CABINET (408)	8.50	RJS-125		TUBE SOCKET—Nine prong for V6	.35
RCE-101	C37A-B	CAPACITOR—150 v., electrolytic—80-40 mfd.	2.00	RJS-143		SUB TUBE SOCKET—(Seven prong)	.20
RCN-001	C7	CAPACITOR—.1 mmf., ceramic	.20	*RJX-034		TUBE SOCKET—For V1	.25
RCT-041	C1A, B, C, D, 16, 18	CAPACITOR—Tuning	6.95	RLA-035	L1	INTERLOCK TERMINAL—Female	.45
*RCW-026	C8, C14	CAPACITOR—1500 mmf., ceramic	.60	*RLB-029	L4	METAL CAP—Female	
RCW-3029	C4	CAPACITOR—100 mmf., ceramic	.25	RLC-103	L5	INSULATING CAP—Female	.15
*RCW-3014	C5, C10, C11, C12, C19, C20, C25, C26	CAPACITOR—.005 mfd., 600 v., ceramic	.60	RLC-104	L6	CHOKE—F.M. Antenna	.15
RCW-3034	C13	CAPACITOR—8 mmf., ceramic	.30	RLP-017	L3	CHOKE—F.M. R.F. Grid	.15
*RCY-016	C9	CAPACITOR—2-20 mf., trimmer	.35	RHF-005		COIL—B.C. Oscillator	.90
*RDC-032		DIAL CORD	2.50/25 yd	RML-049		COIL—F.M. Oscillator	1.20
RDE-080		ESCUTCHEON—(Cabinet)	1.90	*RMS-111		CHOKE—R.F. Plate	.15
RDK-208		KNOB—(408) (band)	.25	RML-049		CHASSIS FOOT	.15
RDK-210		KNOB ASSEMBLY (tuning) (408)	.50	*RMS-111		KNOB LINK	.20
RDK-211		KNOB (volume) (408)	.25	RMU-062		SPRING (Lg. Drum)	.15
RDP-051		POINTER—Dial pointer	.25	RRC-148		TUNING SHAFT ASSEMBLY	.60
RDS-094		DIAL SCALE	1.80	*RRW-055	R19, S2	SHAFT (Band Switch)	.15
RDX-046		POINTER SHAFT AND DRUM	.35	*RSI-003	R22	VOLUME CONTROL AND SWITCH	1.65
RER-010	X1	SELENIUM RECTIFIER	1.60	RSW-078		RESISTOR—1000 ohms, w.w., 2 w.	.45
*RHC-017		CLIP—(Coil mounting)	.05	*RTD-006	S1	INTERLOCK—Male	.15
RHC-034		CLIP—(Coil mounting)	.05	*RTL-079	T6	BAND SWITCH	1.75
*RHH-004		SNAP FASTENER	.02	*RTL-100	T4	F.M. DISCRIMINATOR	4.95
*RHM-043		RETAINING RING—Type "C"	.01	RTL-111	T2	I.F. TRANSFORMER—1st B.C.	2.75
RHS-048		TUBE SHIELD	.15	RTL-112	T4	I.F. TRANSFORMER—3rd F.M.	1.10
				RTL-113	T5	I.F. TRANSFORMER—2nd B.C.	2.10
				RTO-087	T1	I.F. TRANSFORMER—1st F.M.	1.80
				*RWL-022	T3	I.F. TRANSFORMER—2nd F.M.	2.25
				RWX-031	T7	OUTPUT TRANSFORMER	2.20
				S527D		POWER CORD SET—(Three wire)	1.25
						PILOT LIGHT SOCKET ASSEMBLY	.50
						SPEAKER—5 1/4-inch	4.00

MODEL 409



REPLACEMENT PARTS LIST MODEL 409

Cat. No.	Symbol	Description	Unit Price	Cat. No.	Symbol	Description	Unit Price
CAPACITORS				COILS AND TRANSFORMERS (Cont'd)			
*RCE 101	C25A, 25B	40-80 mfd., 150 v., electrolytic	\$2.00	*RTL-111	T5	I.F. TRANSFORMER—2nd B.C.	\$2.10
*RCN-040	C5	6 mmf., ceramic	.25	*RTL-112	T2	I.F. TRANSFORMER—1st F.M.	1.80
*RCN-046	C2010	18 mmf., silver mica	.25	RTL-128	T4	I.F. TRANSFORMER—1st B.C.	2.10
*RCN-048	C2014, 33	1.5 mmf., ceramic	.20	RTL-29	T3	I.F. TRANSFORMER—2nd F.M.	2.25
RCT-055	C2001, 2002, 2003, 2004	F.M. tuning capacitor	3.50	RTL-130	L3	I.F. COIL—3rd F.M.	2.10
RCT-056	C1A, 1B, 1C	A.M. tuning condenser		RTO-112	T7	OUTPUT TRANSFORMER	2.75
*RCW-026	C2007	.0015 mf., ceramic	.25	MISCELLANEOUS ELECTRICAL			
*RCW-176	C6, 32	470 mmf., ceramic	.25	*RJC-004		TERMINAL—For loop connections	\$0.02
*RCW-3014	C11, 12, 13, 14, 17, 28, 34, 35, 2013	.005 mf., hi-k. ceramic	.25	*RJS-118		TUBE SOCKET—For V6...	.35
*RCW-3016	C2012	20 mmf., ceramic	1.00	*RJS 125	V1, 3, 4, 5, 7	TUBE SOCKET	.20
RCW-3065	C2009	22 mmf., ceramic	.60	*RJS-174		TUBE SOCKET—For V2...	
RCY-016	C2	Trimmer, 2-20 mmf.	.35	*RJX-034		INTERLOCK—Female terminal cap and insulator	.45
*UCC-011	C8, C29	.05 mf., 200 v., paper	.30	*RER-010		SELENIUM RECTIFIER	1.60
*UCC-035	C19	.001 mf., 600 v., paper	.30	*RSI-003		INTERLOCK—Male	.15
*UCC-036	C15	.002 mf., 600 v., paper	.25	RSW-090	S1A, 1B, 1C, 1D, 1F	BAND SWITCH	2.25
*UCC-037	C16	.003 mf., 600 v., paper	.25	*RWL-022		POWER CORD SET	1.25
UCC-039	C24	.005 mf., 600 v., paper	.25	*RWS-031		PILOT LIGHT ASSEMBLY	.50
*UCC-040	C10, 21, 23	.01 mf., 600 v., paper	.25	*IRS-527D		SPEAKER—5 1/2 in.	4.60
*UCC-045	C27	.05 mf., 600 v., paper	.30	MISCELLANEOUS MECHANICAL			
*UCG-004	C2006	10 mmf., silver mica	.25	RAC-099		COVER—For F.M. tuner	
*UCG-016	C18	33 mmf., silver mica	.35	*RDC-032		DIAL CORD—25 yds.	\$2.50
*UCG-020	C22, 36	47 mmf., silver mica	.35	*RDE-080		ESCUTCHEON—(Cabinet)	1.90
*UCG-1011	C9	20 mmf., silver mica	.25	RDP-065		POINTER	2.35
*UCG-1026	C2008	82 mmf., silver mica	.25	RDS-111		DIAL SCALE	2.35
*UCU-044	C20	470 mmf., mica	.30	*RHC-018		CLIP—For mounting loop and back	.05
RESISTORS				*RHC-038		CLIP—For mounting B.C.—R.F. transformer T8	.02
RRC-177	R16	Volume control	\$1.25	*RHC-034		CLIP—Coil mounting for L3	.05
RRC-178	R18	Tone control	1.60	*RHC-049		CLIP—For mounting escutcheon around dial	.02
RRW-084	R26	1000 ohms, 2 w., w.w.	.35	*RHF-006		CHASSIS FOOT	.15
RRW-085	R32	33 ohms, 2 w., w.w.	.35	*RHG-015		GROMMET—Tuning gang mounting	.05
*URD-009	R27	22 ohms, 1/2 w., carbon	.13	RHH-004		SNAP FASTENER—For fastening back onto cabinet	.02
*URD-025	R1, 3, 5, 7	100 ohms, 1/2 w., carbon	.13	*RHM-025		"C" TYPE RETAINING RING on tone control shaft	.01
*URD-031	R14	180 ohms, 1/2 w., carbon	.13	RHS-091		TUBE SHIELD—For V2	
*URD-033	R2, 6, 30	220 ohms, 1/2 w., carbon	.13	RMC-002		CLIP—(Coil mounting)—for B.C. oscillator coil, T1	.05
*URD-041	R8	470 ohms, 1/2 w., carbon	.13	*RMS-130		SPRING—(LG Drum of F.M. tuner)	.15
*URD-053	R2001	1500 ohms, 1/2 w., carbon	.13	*RMS-243		SPRING—Tension, for pointer drive cord	.10
*URD-057	R4	2200 ohms, 1/2 w., carbon	.13	RMS-274		SPRING	.02
*URD-081	R15, R2002	22,000 ohms, 1/2 w., carbon	.13	RMU-080		TUNING SHAFT	.60
*URD-089	R9, 12, 31	47,000 ohms, 1/2 w., carbon	.13	RMX-198		LINK ROLLER ASSEMBLY—Includes shoulder rivets	.60
*URD-097	R13, 17, 21	100,000 ohms, 1/2 w., carbon	.13	RMX-199		DRUM AND BUSHING ASSY.—On F.M. tuner	.85
*URD-099	R19, 20	120,000 ohms, 1/2 w., carbon	.13	CABINETS AND CABINET PARTS			
*URD-105	R11	220,000 ohms, 1/2 w., carbon	.13	RAB-173		LOOP AND BACK ASSEMBLY	\$2.25
*URD-113	R23, 24, 28, 29	470,000 ohms, 1/2 w., carbon	.13	*RAD-049		BRACKET—Pilot light	.05
*URD-029	R25	150 ohms, 1/2 w., carbon	.13	RAU-355		CABINET—409	8.50
*URD-129	R10	2.2 meg., 1/2 w., carbon	.13	*RDK-211		KNOB—Volume	.25
*URD-141	R22	6.8 meg., 1/2 w., carbon	.13	RDK-265		KNOB—Tuning	.25
*URD-145	R33	10 meg., 1/2 w., carbon	.13	RDK-266		KNOB—Tone	.20
COILS AND TRANSFORMERS				RDK-267		KNOB—Band	.25
RLB-031	L2003	F.M.—R.F.—COIL	\$0.15				
RLB-032	T8	COIL—B.C.—R.F.	1.50				
RLC-114	L2004	F.M. OSCILLATOR COIL	.15				
RLC-115	T1	COIL—B.C. OSCILLATOR	.90				
*RLI-122	L4, L2002, 2005, 2006, 2007	CHOKE—A.M. LOOP (2.2 uh)	.25				
*RLI-124	L2001	R.F. PLATE—Choke	.80				
*RLI-163	L1	CHOKE—F.M. ANTENNA	.15				
*RTD-006	T6	F.M. DISCRIMINATOR TRANSFORMER	4.95				

REPLACEMENT PARTS LIST FOR MODEL 412

Cat. No.	Symbol	Description	Unit Price	Cat. No.	Symbol	Description	Unit Price
CAPACITORS				MISCELLANEOUS ELECTRICAL			
*RCE-127	C15A, B	50 mf., 150 v.; 50 mf., 150 v., electrolytic	\$1.85	*RJC-004		CONNECTOR—Speaker connector clip on audio output leads	\$0.02
*RCT-037	C1A, B; C2A, B	Two gang, osc., 10.6-126 mmf., r-f 14.3-420 mmf., with drive drum and trimmers	3.60	*RJS-092		SOCKET—Miniature wafer, seven pin wax impregnated, 1 5/16 in. mounting centers; for tubes 12BE6, 12AV6, 50C5, 35W4	.20
*RCW-3048	C10, 11, 12, 13	400 mmf., .002 mf., 220 mmf., .005 mf., 450 v., ceramic	.90	*RJS-141		SOCKET—Miniature wafer, seven pin, 1 5/16 in. mounting centers; for tube 12BA6	.20
*UCC-041	C14	.02 mf., 600 v. paper	.25	*RJX-031		SOCKET—Bayonet type for Mazda #47 dial lamp; with clip-on bracket.	.40
*UCC-045	C16, 17, 18	.05 mf., 600 v., paper	.30	*RWL-009		POWER CORD—AC cord and plug, brown	.70
*UCU-020	C4	47 mmf., 500 v., mica	.25	*S403D7		LOUDSPEAKER—4 in. PM, 4 watt	4.30
RESISTORS (CARBON)				MISCELLANEOUS MECHANICAL			
*URD-007	R10	18 ohms 1/2 w.	\$0.13	*RDC-032		CORD—Dial cord, bulk quantity 25 yds	\$2.50
*URD-021	R12	68 ohms 1/2 w.	.13	*RDK-174		KNOB—Off-volume or tuning control knob, color buff	.15
*URD-029	R8	150 ohms 1/2 w.	.13	RDP-073		DIAL POINTER—Dial pointer, metal, brass finish	.40
*URD-081	R1	22,000 ohms 1/2 w.	.13	RDS-118		DIAL SCALE—Dial scale and back-plate, plastic, ivory, translucent numerals	1.05
*URD-113	R6, 11	470,000 ohms 1/2 w.	.13	*RHC-024		CLIP—1/8 in. clip mounts C15A, B	.10
*URD-121	R72	1 megohm 1/2 w.	.13	*RHC-034		CLIP—For mounting I-F transformers	.05
*URD-129	R3	2.2 megohms 1/2 w.	.13	*RHG-006		GROMMET—For 110 v. line cord	.05
*URD-137	R5	4.7 megohms, 1/2 w.	.13	*RHG-018		GROMMET—Rubber shock mount for tuning capacitor	.05
*URF-053	R9	1500 ohms, 2 w.	.25	*RHJ-007		SPACER—In grommet, RHG-018, mounting tuning capacitor	.05
POTENTIOMETER				MISCELLANEOUS MECHANICAL			
*RRC-106	R4, S1	500K ohms, composition, volume control and on-off switch.	\$1.65	*RMC-002		CLIP—Osc., coil mtg. clip	.05
COILS AND TRANSFORMERS				MISCELLANEOUS MECHANICAL			
*RLC-117	L2	COIL—For oscillator V1	\$0.90	*RMS-118		SPRING—Dial cord tension spring	.10
RTL-135	T2, C5, C6, T3, C8, C9	TRANSFORMER—1st or 2nd I-F, 455KC	1.90	*RMX-170		SHAFT—Tuning shaft and bushing assembly	.35
*RTO-069	T1	TRANSFORMER—Audio output	1.75	CABINETS AND CABINET PARTS			
				*RAB-095		BACK—Includes antenna loop, L1	\$1.55
				RAU-363		CABINET—Plastic, black	6.25
				*RDW-021		DIAL WINDOW—Plastic, 6 1/32 x 3 1/32 inches	.60

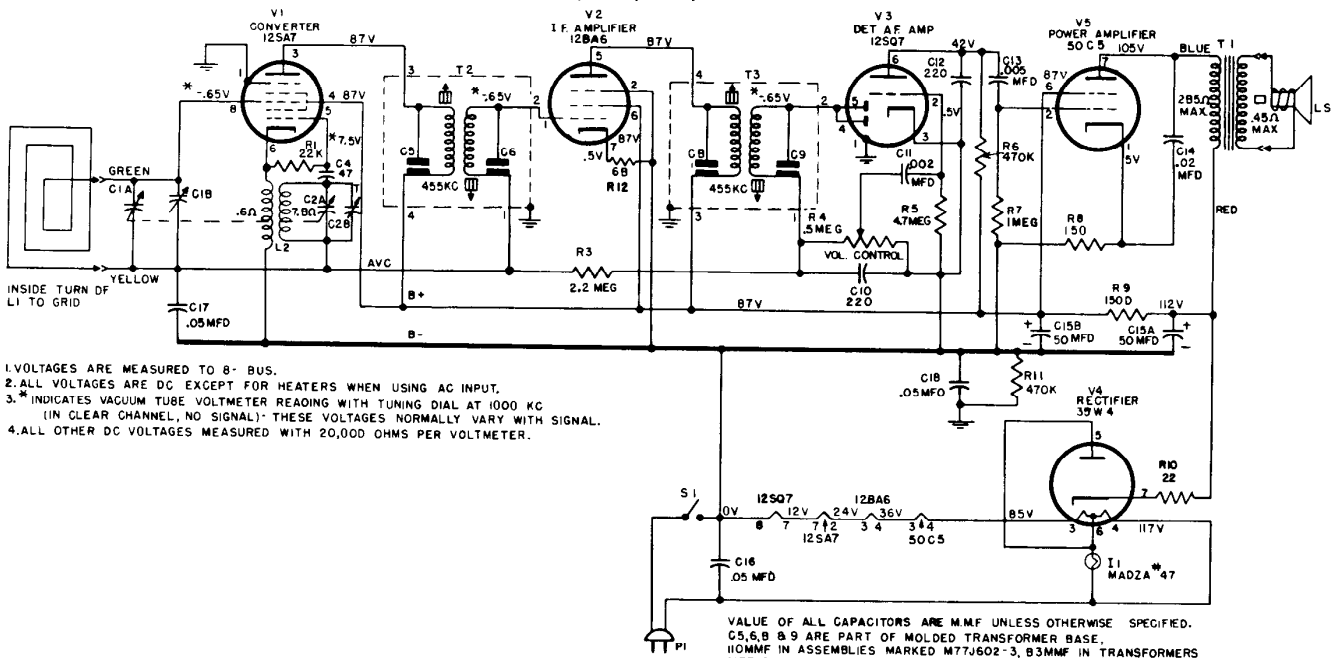
*Parts used on previous receivers.

PRICES ARE SUBJECT TO CHANGE WITHOUT NOTICE.

REPLACEMENT PARTS LIST—MODELS 412F, 414F, 415F, AND 416F

Cat. No.	Symbol	Description	List Price	Cat. No.	Symbol	Description	List Price
CAPACITORS				MISCELLANEOUS MECHANICAL			
*RCE-127	C15A, B	50-50 mmf, 150v, electrolytic	\$1.85	*RDC-032		DIAL CORD—Bulk quantity, 25 yds	\$2.50
*RCN-053	C10	.047 mf, ±20%, 600v, paper molded	.35	*RDP-063		DIAL POINTER—Plastic (or metal) gold finish; for Models 414F, 415F or 416F	.65
RCT-037	C1A, B, C, D	Two gang, for Model 412F	3.60	*RDP-073		DIAL POINTER—Metal, brass plated; for Model 412F	.40
*RCT-058	C1A, B, C, D	Two gang, for Models 414F, 415F or 416F.	3.50	*RDS-109		DIAL SCALE—Plastic, gold finish, translucent numerals; for Models 414F, 415F or 416F	1.50
*RCW-3048	C9A, B, C, D	.022 mf, 400 mmf, 220 mmf, .005 mf, ceramic couplet	.90	*RDS-118		DIAL SCALE—Plastic, black finish, translucent numerals, for Model 412F	1.05
*RCW-3075	C2	.47 mmf, ±20% N2200, ceramic	.25	*RHC-024		CLIP— $\frac{1}{8}$ -inch, mounts C11A, B	.10
UCC-041	C12	.02 mf., 600V, paper	.25	RHC-061		CLIP—Holds Textolite sub chassis	
UCC-045	C3, 4	.05 mf, 600v., paper	.30	RHE-014		EYELET - Tube receptacle wafer mounting	.01
RESISTORS				RHE-016		EYELET—I-F receptacle wafer mounting	.01
(Resistance ±10%, Carbon)				*RHG-018		GROMMET—Rubber, for tuning capacitor shock mounting	.05
*URD-007	R10	18 ohms, $\frac{1}{2}$ w.	\$0.13	*RHH-004		SNAP FASTENER—Holds cabinet back to cabinet; for Models 414F, 415F or 416F	.02
*URD-021	R2	68 ohms, $\frac{1}{2}$ w.	.13	*RHI-017		GROMMET—Two piece strain relief for power cord	.15
*URD-025	R11	100 ohms, $\frac{1}{2}$ w	.13	*RHJ-005		SPACER—Metal, for tuning capacitor shock mounting	.05
*URD-029	R8	150 ohms, $\frac{1}{2}$ w.	.13	RHS-108		LIGHTSHIELD—Dial light shield, fiber, for Models 414F, 415F or 416F	.05
*URD-081	R1	22,000 ohms, $\frac{1}{2}$ w.	.13	RHS-109		INSULATING SPACER—Black Textolite, in chassis tube holes	.20
*URD-113	R6, 7	470,000 ohms, $\frac{1}{2}$ w.	.13	RHS-110		TUBE SHIELD—Tube shield for 12AV6 tube	.15
URD-129	R3	2.2 meg., $\frac{1}{2}$ w.	.13	RHS-111		SHIELD POST—Tube pin shield, mounts wafer of I-F tube receptacle	.03
*URD-141	R5	6.8 meg., $\frac{1}{2}$ w.	.13	*RMS-118		SPRING—Dial cord tension spring	.10
*URF-053	R9	1500 ohms, 2 w.	.25	*RMS-214		SPRING CLIP—On dial pointer; for Models 414F, 415F or 416F	.05
POTENTIOMETERS				*RMX-170		SHAFT ASSEMBLY—Tuning shaft and bushing assembly, for Model 412F	.35
RRC-203	R4, S1	500,000 ohms, for Models 414F, 415F, 416F	\$1.65	*RMX-195		SHAFT—Tuning shaft and bushing assembly for Models 414F, 415F or 416F	.55
RRC-204	R4, S1	500,000 ohms, for Model 412F	1.70	CABINETS AND APPEARANCE ITEMS			
COILS AND TRANSFORMERS				RAB-202		CABINET BACK—Back and loop for Models 414F, 415F or 416F	\$1.40
RLC-122	T1	COIL—Oscillator	\$1.00	RAB-203		CABINET BACK—Back and loop for Model 412F	1.40
RTL-143	T2, 3	TRANSFORMER—1st or 2nd I-F	1.80	*RAG-033		GRILLE CLOTH—Cabinet grille cloth (dark maroon) for Models 414F or 416F	.30
RTO-128	T4	TRANSFORMER—Audio output	1.90	*RAG-034		GRILLE CLOTH—Cabinet grille cloth (ivory) for Model 415F	.30
MISCELLANEOUS ELECTRICAL				*RAU-350		CABINET—Plastic, ivory; for Model 415F	7.95
RII-081		WAFER—Part of I-F transformer receptacle	\$0.05	*RAU-352		CABINET—Plastic, mahogany; for Model 414F	7.95
RII-082		WAFER—Part of tube receptacle.	.05	*RAU-363		CABINET—Plastic, black; for Model 412F	6.25
*RJC-004		TERMINAL—Female, speaker connector on audio output leads	.02	RAU-375		CABINET—Plastic, red, for Model 416F.	7.95
RJC-027		CONNECTOR—Tube pin connector, part of tube receptacle	.03	RDK-174		KNOB—Off-On-Volume or Tuning, buff color; for Model 412F	.15
RJC-028		CONNECTOR—Oscillator coil receptacle.	.02	*RDK-260		KNOB—Off-On-Volume or Tuning, fawn color; for Models 414F, 415F or 416F	.20
RJC-029		CONNECTOR—Push-on type terminal for I-F connecting lead	.05	*RDW-021		DIAL WINDOW—Dial scale window, plastic, 6 17 32 x 3 13 32 in.; for Model 412F.	.60
RJC-030		CONNECTOR—Pin clip, part of I-F transformer receptacle assembly, left-hand type	.02	*RDW-052		DIAL WINDOW—Dial window, plastic, with mounting tabs; for Models 414F, 415F or 416F	.60
RJC-031		CONNECTOR—Pin clip, part of I-F transformer receptacle assembly, right-hand type	.02				
*RJX-031		PILOT LIGHT ASSY.—Includes bayonet type socket for Mazda No. 47 dial lamp with clip-on bracket, for Model 412F	.40				
*RWL-009		CORD—Power cord and plug, brown, ivory plug; for Models 412F, 414F or 416F	.70				
*RWL-016		CORD—Power cord and plug, ivory, for Model 415F	.75				
*RWX-040		PILOT LIGHT ASSY.—Includes bayonet type socket for Mazda No. 47 dial lamp, with clip-on bracket, for Models 414F, 415F or 416F	.45				
*S-403D-7		LOUDSPEAKER—4-inch, PM	4.00				

414, 415, 416, 430



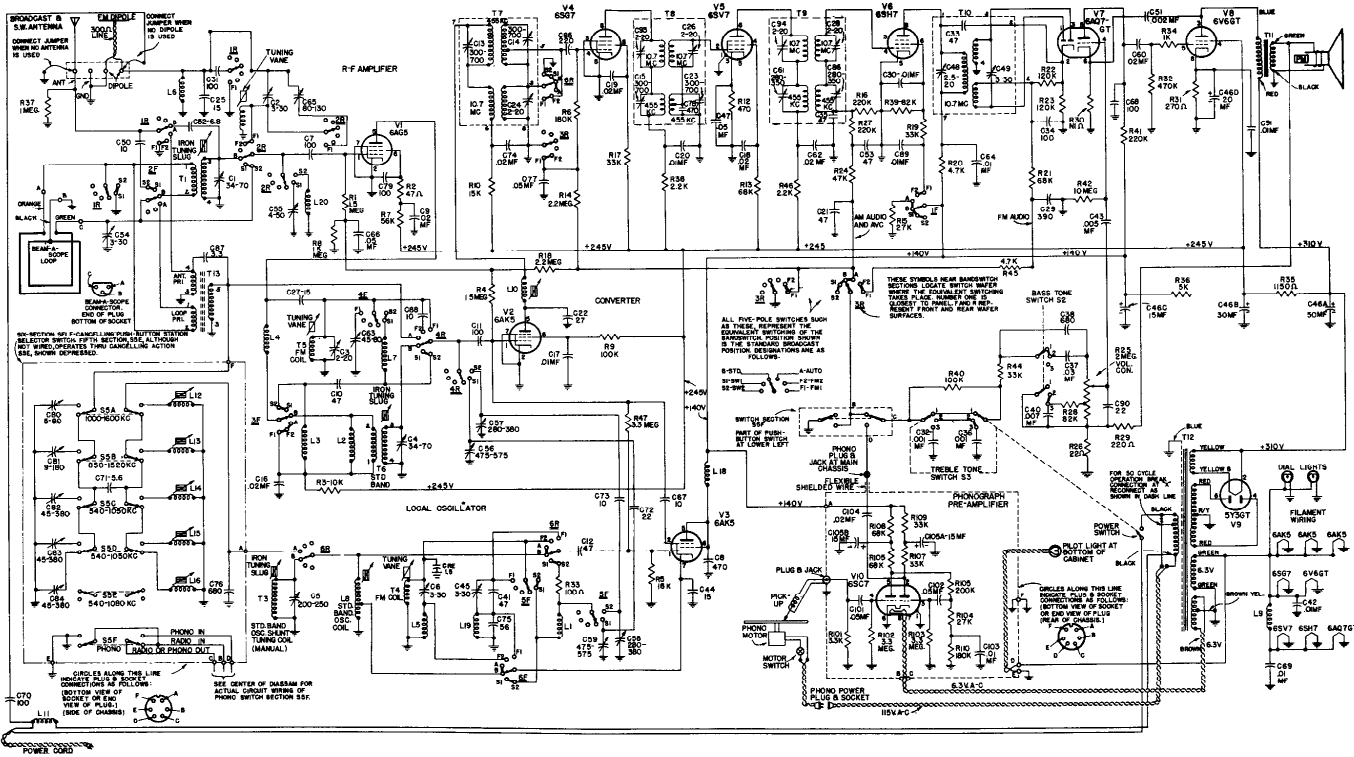
1. VOLTAGES ARE MEASURED TO B- BUS.
2. ALL VOLTAGES ARE DC EXCEPT FOR HEATERS WHEN USING AC INPUT.
3. * INDICATES VACUUM TUBE VOLTMETER READING WITH TUNING DIAL AT 1000 KC (IN CLEAR CHANNEL, NO SIGNAL); THESE VOLTAGES NORMALLY VARY WITH SIGNAL.
4. ALL OTHER DC VOLTAGES MEASURED WITH 20,000 OHMS PER VOLTMETER.

VALUE OF ALL CAPACITORS ARE M.M.F. UNLESS OTHERWISE SPECIFIED.
 C5, 6, 8, 9 ARE PART OF MOLDED TRANSFORMER BASE.
 100MMF IN ASSEMBLIES MARKED M77J602-3, B3MMF IN TRANSFORMERS
 M77J602-1 OR -2 & M77J460-2 OR -3.

REPLACEMENT PARTS LIST
MODELS 414, 415, 416 AND 430

Cat. No.	Symbol	Description	Unit Price	Cat. No.	Symbol	Description	Unit Price
CAPACITORS				MISCELLANEOUS MECHANICAL			
*RCE-127	C15A, B	30 mf., 150 v.; 30 mf. 150 v., electrolytic	\$1.85	RDC-032		CORD—Dial cord, bulk quantity 25 yds.	\$2.50
RCT-058	C2A, B, C1, C3	Tuning capacitor with trimmers	3.50	RDP-063		DIAL POINTER—Plastic pointer may be furnished in lieu of brass	.65
*RCW-3013	C10, 11, 12, 13	220 mmf., .002 mf., 220 mmf., .005 mf., 450 v., ceramic	1.00	RDS-109		DIAL SCALE—Plastic dial plate, gold finish, translucent numerals	1.50
*UCU-020	C4	47 mmf., ceramic	.25	*RHC-024		CLIP— $\frac{1}{8}$ inch, mounts C15A, B	.10
*UCC-041	C14	.02 mf., 600 v., paper	.25	*RHC-034		CLIP—For mounting I-F can assembly to chassis	.05
*UCC-045	C16, 17, 18	.05 mf., 600 v., paper	.30	RHG-006		GROMMET—For 110 v. line cord, in back apron of chassis	.05
RESISTORS (CARBON)				*RHG-018		GROMMET—Rubber, for mounting tuning capacitor	.05
*URD-009	R10	22 ohms, $\frac{1}{2}$ w.	.13	*RHH-004		FASTNER—Snap fastner for Models 414, 415, or 416, holds cabinet back to cabinet	.02
*URD-021	R12	68 ohms, $\frac{1}{2}$ w.	.13	*RHJ-007		SPACER—Metal, in grommet mounting tuning capacitor	.05
*URD-029	R8	150 ohms, $\frac{1}{2}$ w.	.13	RHS-044		SCREW—No. 4 x $\frac{1}{4}$ in. stove head shake-proof type No. 25, mounts speaker in Models 414, 415 or 416 cabinet	.05
*URD-081	R1	22,000 ohms, $\frac{1}{2}$ w.	.13	*RJC-004		CLIP—Female speaker connector on audio output leads	.02
*URD-113	R6, 11	470,000 ohms, $\frac{1}{2}$ w.	.13	*RMC-002		CLIP—Osc. coil mounting clip, United carr No. 521D7	.05
*URD-121	R7	1 meg., $\frac{1}{2}$ w.	.13	RMS-118		SPRING—Dial cord tension spring	.10
*URD-129	R3	2.2 meg., $\frac{1}{2}$ w.	.13	RMS-214		CLIP—Metal clip used on plastic dial pointer	.05
*URD-137	R5	4.7 meg., $\frac{1}{2}$ w.	.13	RMX-195		SHAFT—Tuning shaft and bushing assembly	.55
*URF-053	R9	1500 ohms, 2 w.	.25	CABINETS AND CABINET PARTS			
POTENTIOMETER				RAB-172	L1	CABINET BACK—Antenna loop on cabinet back cover	2.00
RRC-172	R4, S1	500,000 ohms, composition, volume control and ON-OFF switch	1.60	*RAG-033		GRILLE CLOTH—Maroon, behind speaker grille, in Model 414 or 416 cabinet	.30
COILS AND TRANSFORMERS				*RAG-034		GRILLE CLOTH—Ivory, behind speaker grille on Model 415 cabinet	.30
*RLC-117	L2	COIL—Oscillator coil for V1	.90	RAU-350		CABINET—Plastic, Ivory, for Model 415	7.95
*RTL-135	T2, C5, C6, T3, C8, C9	TRANSFORMER—1st or 2nd i-f, with tuning cores (capacitors are part of molded base assembly)		RAU-351		CABINET—Plastic, Maroon, for Model 416	7.95
*RTO-069	T1	TRANSFORMER—Audio output	1.75	RAU-352		CABINET—Plastic, Mahogany, for Model 414	7.95
MISCELLANEOUS ELECTRICAL				RAV-177		CABINET—Wood, Mahogany for Model 430	12.00†
*RJS-003		SOCKET—8-pin wafer, 1 $\frac{3}{8}$ in. hole mount spacing, for 12SA7 or 12SQ7	.20	*RDK-003		KNOB—Plastic, two tone fawn and gold leaf finish, volume or tuning for Model 430	.25
RJS-092		SOCKET—7-pin wafer 1 $\frac{1}{4}$ in. hole mount spacing for 35W4 or 50C5 tubes	.20	RDK-260		KNOB—Plastic, fawn color, volume or tuning for Model 414, 415 or 416	.20
*RJS-141		SOCKET—8-pin wafer 1 $\frac{3}{8}$ in. hole mount spacing for 12BA6 tube	.20	RDW-052		DIAL WINDOW—Formed plastic with mounting tabs for Models 414, 415 or 416	.60
RWL-009	P1	POWER CORD—A-c power cord and plug (brown) for Models 414, 416, 430	.70	RDW-053		DIAL WINDOW—6 $\frac{9}{32}$ in. x 3 $\frac{3}{4}$ in. glass for Model 430	.40
*RWL-016	P1	POWER CORD—A-c power cord and plug (white) for Model 415	.75	*RHF-008		FOOT—Cabinet foot rest, $\frac{1}{2}$ inch, metal and felt composition, for Model 430	.15
*RWX-040		SOCKET—Dial light socket with leads	.45	RAB-095		Back and Loop (430)	
*S403D7	LS1	LOUDSPEAKER—4 inch PM	4.30				

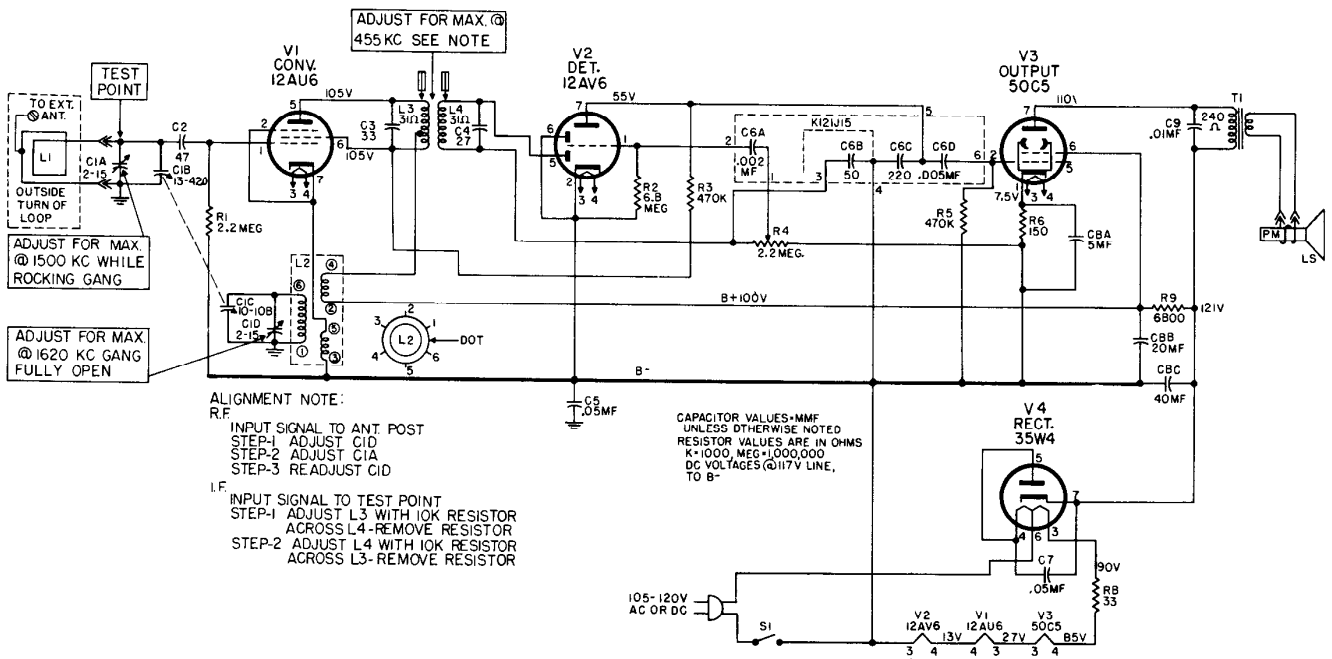
MODEL 417 417A



REPLACEMENT PARTS LIST 417, 417A

Part No.	Symbol	Description	Part No.	Symbol	Description
UNIVERSAL REPLACEMENT PARTS					
UCC-039	C43	CAPACITOR—005 mfd., 600 v., paper	URD-097	R9, 40	RESISTOR—100,000 ohms, 1/2 w., carbon
UCC-040	C17, 30, 64, 69, 89, 91, 103, C9, 18, 74, 104	CAPACITOR—01 mfd., 600 v., paper	URD-099	R22, 23	RESISTOR—120,000 ohms, 1/2 w., carbon
UCC-041	C37	CAPACITOR—.02 mfd., 600 v., paper	URD-103	R6	RESISTOR—180,000 ohms, 1/2 w., carbon
UCC-042	C47, 66, 77, 101, 102	CAPACITOR—.03 mfd., 600 v., paper	URD-105	R16, 27, 41	RESISTOR—220,000 ohms, 1/2 w., carbon
UCG-2048	C76	CAPACITOR—680 mmfd., 500 v., silver mica	URD-113	R32	RESISTOR—470,000 ohms, 1/2 w., carbon
UCN-506	C52	CAPACITOR—6.8 mmf., ceramic	URD-121	R37	RESISTOR—1.0 meg., 1/2 w., carbon
UCU-020	C21, 53	CAPACITOR—47 mmf., 500 v., mica	URD-125	R1, 4, 8	RESISTOR—1.5 meg., 1/2 w., carbon
UCU-028	C68	CAPACITOR—100 mmf., 500 v., mica	URD-129	R14, 18	RESISTOR—2.2 meg., 1/2 w., carbon
UCU-048	C38	CAPACITOR—680 mmf., 500 v., mica	URD-133	R47, 102, 103	RESISTOR—3.3 meg., 1/2 w., carbon
UCU-520	C19	CAPACITOR—47 mmf., 500 v., mica	URD-145	R42	RESISTOR—10.0 meg., 1/2 w., carbon
UCU-528	C70, 79, 31	CAPACITOR—100 mmf., 500 v., mica	URD-1079	R5	RESISTOR—18,000 ohms, 1/2 w., carbon
UCU-536	C85	CAPACITOR—220 mmf., 500 v., mica	URD-1104	R105	RESISTOR—200,000 ohms, 1/2 w., carbon
UCU-1042	C29	CAPACITOR—390 mmfd., 500 v., mica	URE-035	R31	RESISTOR—270 ohms, 1 w., carbon
UCU-1504	C73	CAPACITOR—10 mmfd., mica	URE-073	R3	RESISTOR—10,000 ohms, 1 w., carbon
UCU-1512	C72, 90	CAPACITOR—22 mmfd., 500 v., mica	URE-083	R15	RESISTOR—27,000 ohms, 1 w., carbon
UCU-1544	C8	CAPACITOR—470 mmfd., mica	URE-085	R17	RESISTOR—33,000 ohms, 1 w., carbon
UCW-1004	C52	CAPACITOR—10 mmf., ceramic	UNIVERSAL REPLACEMENT PARTS (Cont'd)		
UCW-1014	C32	CAPACITOR—27 mmf., ceramic	RAB-021	L17	BEAM-A-SCOPE—Cabinet back and loop assembly
UCW-1020	C41	CAPACITOR—100 mmf., ceramic	RAD-016		BRACKET—For band switch mounting at front
UCW-1028	C34	CAPACITOR—100 mmf., ceramic	RAX-007	L12, 13, 14, 15, 16	COIL—Pushbutton coils mounted on bracket
UCW-2022	C75	CAPACITOR—56 mmf., ceramic	RAX-008		BRACKET—Bracket and roller fork for elevator shaft
UIC-001		CEMENT—Speaker cone replacement cement	RCC-001	C40	CAPACITOR—.007 mfd., 600 v., paper
UJB-014		TERMINALS—4 lug terminal strip	RCC-035	C32, 36	CAPACITOR—.001 mfd., 600 v., paper
UOP-130		TERMINALS—2 lug terminal strip	RCC-040	C20	CAPACITOR—.01 mfd., 600 v., paper
UQX-002		SPAKER—12-in. permanent magnet speaker	RCC-041	C16, 19, 60, 62	CAPACITOR—.02 mfd., 600 v., paper
URD-007	R30	CONE—Loudspeaker replacement cone assembly	RCC-056	C51	CAPACITOR—.002 mfd., 1000 v., paper
URD-009	R26	RESISTOR—18 ohms, 1/2 w., carbon	RCE-029	C46A	CAPACITOR—30 mfd., 400 v., dry electrolytic
URD-017	R2	RESISTOR—22 ohms, 1/2 w., carbon	C46B	C46C	CAPACITOR—30 mfd., 400 v., dry electrolytic
URD-025	R33	RESISTOR—47 ohms, 1/2 w., carbon	C46D	C46C	CAPACITOR—15 mfd., 400 v., dry electrolytic
URD-033	R29	RESISTOR—100 ohms, 1/2 w., carbon	C46D	C105A	CAPACITOR—20 mfd., 25 v., dry electrolytic
URD-041	R12	RESISTOR—220 ohms, 1/2 w., carbon	C105B	C105B	CAPACITOR—15 mfd., 350 v., dry electrolytic
URD-049	R34	RESISTOR—470 ohms, 1/2 w., carbon	C12	C67, 88	CAPACITOR—10 mmf., ceramic
URD-057	R38, 46	RESISTOR—2200 ohms, 1/2 w., carbon	C25, 27, 44	C87	CAPACITOR—15 mmf., ceramic
URD-061	R101	RESISTOR—2200 ohms, 1/2 w., carbon	C92	C71	CAPACITOR—1.5 mmf., ceramic
URD-065	R20, 45	RESISTOR—3300 ohms, 1/2 w., carbon	C7, 11	C80	CAPACITOR—5.6 mmf., ceramic
URD-077	R10	RESISTOR—4700 ohms, 1/2 w., carbon	RCX-011		CAPACITOR—100 mmf., ceramic
URD-083	R104	RESISTOR—15,000 ohms, 1/2 w., carbon	RJS-049		CAPACITOR—5-80 mmf., pushbutton antenna trimmer
URD-085	R19, 44	RESISTOR—27,000 ohms, 1/2 w., carbon	RJS-051		SOCKET—Phono power female socket
URD-089	R24	RESISTOR—33,000 ohms, 1/2 w., carbon	RJX-009		RECEPTACLE—3 pin receptacle for Beam-a-scope
URD-091	R7	RESISTOR—66,000 ohms, 1/2 w., carbon	RLA-009	T1	PLUG—Plug attached to Beam-a-scope
URD-093	R13, 21	RESISTOR—156,000 ohms, 1/2 w., carbon	RLA-011	L6	COIL—Broadcast band antenna coil
URD-095	R28, 39	RESISTOR—82,000 ohms, 1/2 w., carbon	RLA-016	L19	COIL—FM antenna choke coil
	C81	CAPACITOR—9-180 mmf., pushbutton antenna trimmer	RLB-005	L20	COIL—SW loop shunt coil
	C82	CAPACITOR—45-380 mmf., pushbutton antenna trimmer	RLB-006	T13	COIL—Pushbutton antenna coil
	C83	CAPACITOR—45-380 mmf., pushbutton antenna trimmer	RLB-007	T2, 5	COILS—FM antenna coil and FM RF coil
	C84	CAPACITOR—45-380 mmf., pushbutton antenna trimmer	RLB-008	T6	COIL—Broadcast band RF coil
RCX-016	C5	CAPACITOR—200-250 mmf., trimmer capacitor	RLB-009	L5	COIL—FM oscillator cathode choke coil
	C58	CAPACITOR—280-380 mmf., trimmer capacitor	RLB-009	L3	COIL—SW band RF plate choke coil
	C59	CAPACITOR—475-575 mmf., trimmer capacitor	RLB-010	L2	COIL—Broadcast band plate choke dummy
RCX-022	C4	CAPACITOR—34-70 mmf., trimmer capacitor	RLC-013	L4	COIL—FM RF plate choke coil
	C56	CAPACITOR—475-575 mmf., trimmer capacitor	RLC-014	T4	COIL—FM band oscillator coil
	C57	CAPACITOR—280-380 mmf., trimmer capacitor	RLC-015	T3	COIL—Broadcast band oscillator coil
RCX-023	C1	CAPACITOR—45-80 mmf., trimmer capacitor	RLC-016	L1	COIL—SW oscillator loading coil
	C55	CAPACITOR—34-70 mmf., trimmer capacitor	RLC-017	L8	COIL—Broadcast band oscillator shunt coil
RCX-024	C2	CAPACITOR—4-50 mmf., trimmer capacitor	RLP-003	L7	COIL—SW band RF loading coil
	C65	CAPACITOR—80-130 mmf., trimmer capacitor	RLP-004	L9	COIL—Filament choke coil
RCY-011	C54	CAPACITOR—3-30 mmf., trimmer for loop	RMC-012	L10	CHOKER—Power line choke
RCY-017	C6, 45	CAPACITOR—3-30 mmf., air trimmer	RMC-013	L18	COIL—FM IF plate coil
RDB-001		PUSHBUTTON—Black pushbutton used at bottom of strip only	RMC-014		COIL—Oscillator plate choke coil
RDB-004		PUSHBUTTON—Black pushbutton used in upper five positions only	RMC-015		CLAMP—For holding cover on RF unit
RDC-019		CORD—Hoist cord 6 1/2" long	RMC-016		CLIP—Support for clamp RMC-012
RDC-021		CORD—Drive cord 40 1/2"	RMM-009		CLIP—For holding shielded phono cable
RDE-016		ESCUTCHEON—For dial scale and pushbuttons	RMM-010		SPACER—Metal sleeve on hoist pulley shaft
RDG-003		BACK PLATE—Large metal panel plate	RMM-011		VANE—Tuner vane for FM coils T2 and T5
RDK-004		KNOB—Black knob, plain	RMM-015		VANE—Tuner vane for FM oscillator coil, T4
RDK-032		KNOB—Black control knob with pointer	RMR-002		SUPPORT—Cabinet drop-lead support
RDO-001		ESCUTCHEON ORNAMENT—Left-hand plastic escutcheon ornament	RMS-032		ROLLER—Presses against hoist shaft
RDP-016		POINTER—Dial pointer and slide	RMS-039		SPRING—Maintains pushbutton tension
RDP-022		POINTER—Dial pointer	RMS-040		WASHER—"C" washer on idler pulley
RDS-018		SCALE—Tuning dial scale	RMS-041		SPRING—Flat spring against hoist pulley shaft
REX-002		CORE—Iron core with glass tubing for broadcast antenna, r-f, and oscillator coils	RMS-042		SPRING—Wire spring against hoist pulley shaft
RHC-007		PIN—Hairpin cotter for securing shaft through pushbuttons	RMS-043		SPRING—Hoist cord tension spring
RHC-009		PIN—Hairpin cotter for idler wheel	RMS-044		SCREW—Iron core adjusting screw
RHC-010		SPRING CLIP—Holds FM coil assembly	RMS-072		SPRING—Guide wire spring in elevator plate
RHE-001		EYELET—For connecting FM coil links	RMS-078		SPRING—Type 1 dial cord spring (earlier production)
RHM-016		CLIP—Mounting clip for L1 and L7	RMU-016		SPRING—Type 2 dial cord spring (later production)
RHM-024		LINK—Hoist link holding end of hoist cord	RMW-016		SHAFT—Manual tuning shaft
RHM-025		RING—Retaining ring for flywheel	RMW-017		PULLEY—Mam tuning drum
RHM-026		COIL LINK—Rectangular coil link for assembling FM coils T2 and T5	RMX-018		PULLEY—Small idler pulley
RHM-027		COIL LINK—Rectangular coil link for assembling FM coil, T4	RMX-019		FLYWHEEL—Flywheel with set screw
RJI-001		POST—Mycalox posts for assembling all FM coils	RMX-021		PULLEY—Hoist pulley and shaft
RJC-001		CONTACT PIN—For speaker connection	RRC-014		PLATE AND SHAFT—Elevator top plate and electrical shaft
RJJ-004		RECEPTACLE—Pre-amp. end pushbutton receptacle	RRC-031		VOLUME CONTROL—2 meg. potentiometer tapped at 1 meg.
RJP-002		PLUG—Six-prong pre-amp. power plug	RRW-010		SWITCH—Bass tone switch
RJP-003		PLUG—Phono power male plug	RSP-002	S2	RESISTOR—1150 and 5000 ohm, w.w.
RJP-004		PLUG—Male phono plug from pre-amplifier	RSW-023	R30, 36	SWITCH—Pushbutton switch
RJP-005		PLUG—Plug and cover for pushbutton cable	RSX-003	S3	SWITCH—Band change switch
RJP-010		SOCKET—Phono input socket	RTD-001	T10	TRANSFORMER—Trebble tone and power switch
RJP-011		SOCKET—Shipping screw hole plug	RTL-017	T7	TRANSFORMER—1st I-F transformer
RJS-003		SOCKET—Octal socket for V5, V6, and V7	RTL-044	T8	TRANSFORMER—2nd I-F transformer
RJS-012		PLATE—For mounting electrolytic	RTL-045	T9	TRANSFORMER—3rd I-F transformer
RJS-027		SOCKET—Dial light socket	RTO-012	T11	TRANSFORMER—Output transformer
RJS-030		SOCKET—Octal socket for V4, V8, and V9	RTP-020	T12	TRANSFORMER—Power transformer
RJS-044		TUBE SOCKET—Tube socket for V1, V2, and V3	RWL-004		CORD—Power cord
			RWX-004		WIRE—Guide wire for pointer.
			RYC-003		STATION LIST—Call letter cards

MODEL 419



REPLACEMENT PARTS LIST 419

Cat. No.	Symbol	Description	Unit Price	Cat. No.	Description	Unit Price
CAPACITORS						
RCE-158	C8A, B, C	5 mf., 25 v., 20-40 mf., 150 v., electrolytic	\$2.25	RHS-109	INSULATING SPACER—Black Textolite, in chassis tube holes	\$0.20
RCT-068	C1A, B, C, D	Tuning	3.75	R11-082	WAFER—Part of tube receptacle	.05
*RCW-3075	C2	47 mmf., ±20%, ceramic	.25	*RJC-027	CONNECTOR—Tube pin connector, part of tube receptacle	.03
RCW-3091	C6A, B, C, D	.002 mf., 50 mmf., 220 mmf., .005 mf., ceramic couplate	.90	RJC-028	CONNECTOR—Oscillator coil receptacle	.02
*UCC-040	C9	.01 mf., +40% -10%, 600 v., paper	.25	ROP-026	LOUDSPEAKER—4-inch PM	5.10
*UCC-045	C5, 7	.05 mf., +40% -10%, 600 v., paper	.30	*RWL-009	POWER CORD—AC cord and plug	.70
*UCU-1014	C4	27 mmf., ±10%, 500 v., silver mica	.30	MISCELLANEOUS MECHANICAL		
UCU-1016	C3	33 mmf., ±10%, 500 v., mica	.35	RHC-008	CLIP—1-inch electrolytic capacitor mounting clip	.10
RESISTORS				RHC-061	CLIP—Holds Textolite sub-chassis	.10
RRC-214	R4, S1	2.2 megohms, composition, volume control and switch	1.55	RHE-014	EYELET—Tube receptacle wafer mounting	.01
*URD-019	R7	56 ohms, ±10%, ½ w., carbon	.13	*RHI-017	GROMMET—Two-piece strain relief for power cord	.15
*URD-029	R6	150 ohms, ±10%, ½ w., carbon	.13	RHS-111	SHIELD POST—Tube pin shield mounts wafer of i-f tube receptacle	.03
*URD-057	R9	2200 ohms, ±10%, ½ w., carbon	.13	RMS-272	COMPRESSION RING—For tuning knob	.05
*URD-113	R3, 5	470 K, ±10%, ½ w., carbon	.13	CABINET AND APPEARANCE ITEMS		
*URD-129	R1	2.2 megohms, ±10%, ½ w., carbon	.13	RAB-211	BACK AND LOOP—Antenna loop, L1, and cabinet back	1.60
*URD-141	R2	6.8 megohms, ±10%, ½ w., carbon	.13	RAU-378	CABINET—Dark brown, plastic	6.50
*URF-013	R8	33 ohms, ±10%, 2 w., carbon	.25	*RDK-295	KNOB—Volume control	.25
COILS AND TRANSFORMERS				RDK-321	KNOB—Tuning control	.35
RLC-128	L2	COIL—Oscillator	1.30	PRICES ARE SUGGESTED LIST PRICES AND SUBJECT TO CHANGE WITHOUT NOTICE		
RTL-149	L4	COIL—Detector I-F input, two connections	1.10	*Used on previous receivers		
RTL-150	L3	COIL—Converter I-F output, tapped coil, three connections	1.55			
RTO-137	T1	TRANSFORMER—Audio output	2.00			

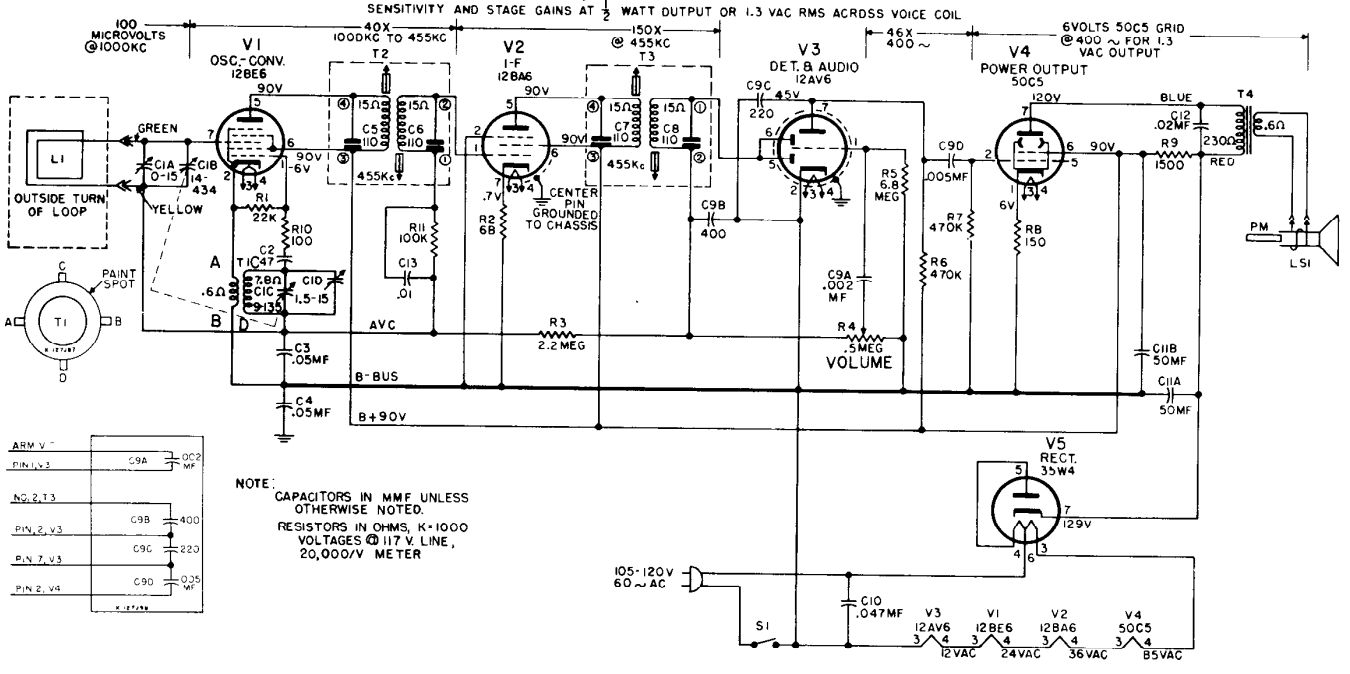
MODELS 422 AND 423 REPLACEMENT PARTS LIST

CAT. NO.	SYMBOL	DESCRIPTION	UNIT PRICE	CAT. NO.	SYMBOL	DESCRIPTION	UNIT PRICE
CAPACITORS				MISCELLANEOUS ELECTRICAL (Con't)			
*RCE-050	C15A, B	50 mf., 150 v., 50 mf., 150 v.; dry electrolytic	\$2.10	*RJS-141		SOCKET—Tube, for 12BA6	\$0.20
*RCN-039	C4	2 mmf., mica	.15	*ROP-020		SPEAKER—PM, 5 1/4"	
*RCT-059	C1A, B, C, C2, C3	Tuning capacitor with trimmers and drum		RWL-009		POWER CORD—A-C power cord and plug, Model 422	.70
*RCW-3036	C11, C12, C13	.0035 mf., 220 mmf., .005 mf. three section ceramic (see UCC-037, UCC-039, UCU-1036)	.80	*RWL-016		POWER CORD—Model 423	.75
*UCC-037	C11	.003 mf., 600 v., paper (alternate replacement for RCW-3036)	.25	RWX-043		ASSEMBLY—Pilot light socket	
*UCC-039	C13	.005 mf., 600 v., paper (alternate replacement for RCW-3036)	.30	MISCELLANEOUS MECHANICAL			
*UCC-041	C14, C21	.02 mf., 600 v., paper	.25	*RDC-032		CORD—Bulk dial cord, 25 yd.	\$2.50
*UCC-045	C16, C17, C18, C19, C20	.05 mf., 600 v., paper	.30	RDP-064		POINTER—Dial scale	
*UCU-020	C5	47 mmf., mica	.60	RHC-018		CLIP—Loop clip	.05
*UCU-1036	C10, C12	220 mmf., mica (alternate replacement for RCW-3036)	.30	*RHC-024		CLIP—Capacitor clip	.10
RESISTORS & POTENTIOMETER				*RHC-038		CLIP—For R-F coil	.02
*RRC-149	R6, S1	POTENTIOMETER—500,000 ohms; volume control and switch S1	\$1.60	*RHG-006		GROMMET—On tuning shaft	.05
*URD-009	R12	RESISTOR—22 ohms, 1/2 w., carbon	.13	*RHG-018		GROMMET—Cushion mounting for tuning capacitor	.05
*URD-021	R14	RESISTOR—68 ohms, 1/2 w., carbon	.13	*RHI-017		GROMMET—Speaker lead ins.	.02
*URD-029	R10	RESISTOR—150 ohms, 1/2 w., carbon	.13	*RHJ-007		STRAIN RELIEF	.15
*URD-057	R2	RESISTOR—2.2 K ohms, 1/2 w., carbon	.13	*RHR-010		SPACER—Spacer bushing for mounting tuning capacitor	.05
*URD-081	R4	RESISTOR—22,000 ohms, 1/2 w., carbon	.13	*RHR-013		RIVET—For terminal board	.02
*URD-113	R8, R13	RESISTOR—470,000 ohms, 1/2 w., carbon	.13	*RHS-061		RIVET—For output transf.	.01
*URD-121	R9	RESISTOR—1 meg., 1/2 w., carbon	.13	*RHS-062		SCREW—For loop back mounting	.02
*URD-129	R5	RESISTOR—2.2 meg., 1/2 w., carbon	.13	RHS-063		SCREW—For chassis mounting	.05
*URD-137	R7	RESISTOR—4.7 meg., 1/2 w., carbon	.13	*RJC-004		SCREW—For tuning capacitor mounting	.02
*URF-049	R11	RESISTOR—1000 ohms, 2 w., carbon	.25	*RMC-002		CONNECTOR—Antenna loop lead connecting clip	.02
COILS & TRANSFORMERS				*RMM-035		CLIP—For ocoil coil	.05
*RLC-105	L2	COIL—Oscillator	\$0.75	*RMM-200		SHIELD—Tube shield	
*RLI-125	L3	COIL—R-F	1.25	*RMS-118		HOOD—Pilot light hood	
*RTL-115	T2	TRANSF.—First I-F		*RMW-070		SPRING—Dial cord tension spring	.10
*RTL-116	T3	TRANSF.—Second I-F		RMX-196		PULLEY—Idler pulley	.05
*RTO-083	T1	TRANSF.—Audio output	1.80	RMX-200		SHAFT AND BUSHING—Tuning shaft and mounting bushing, late prod.	
MISCELLANEOUS ELECTRICAL						DRIVE SHAFT AND BUSHING ASSEMBLY, early prod.	
*RJS-003		SOCKET—Tube socket	\$0.20	CABINET & CABINET PARTS			
*RAB-142	L1			*RAB-142		CABINET BACK—With antenna loop	\$1.60
*RAG-038				*RAG-038		ASSEMBLY—Grill cloth assembly, Model 422	.35
*RAG-039				*RAG-039		ASSEMBLY—Grill cloth assembly, Model 423	.35
RAU-353				RAU-353		CABINET—Mahogany cabinet (plastic) for Model 422	11.50
RAU-354				RAU-354		CABINET—Ivory cabinet (plastic), for Model 423	11.50
RDE-124				RDE-124		ESCUTCHEON—Dial esc.	
RDS-110				RDS-110		SCALE—Dial scale	
*RDK-181				*RDK-181		KNOB—For Model 422	.15
*RDK-229				*RDK-229		KNOB—For Model 423	.15

PRICES ARE SUGGESTED LIST PRICES AND SUBJECT TO CHANGE WITHOUT NOTICE.

* Parts used on previous models.

424, 425

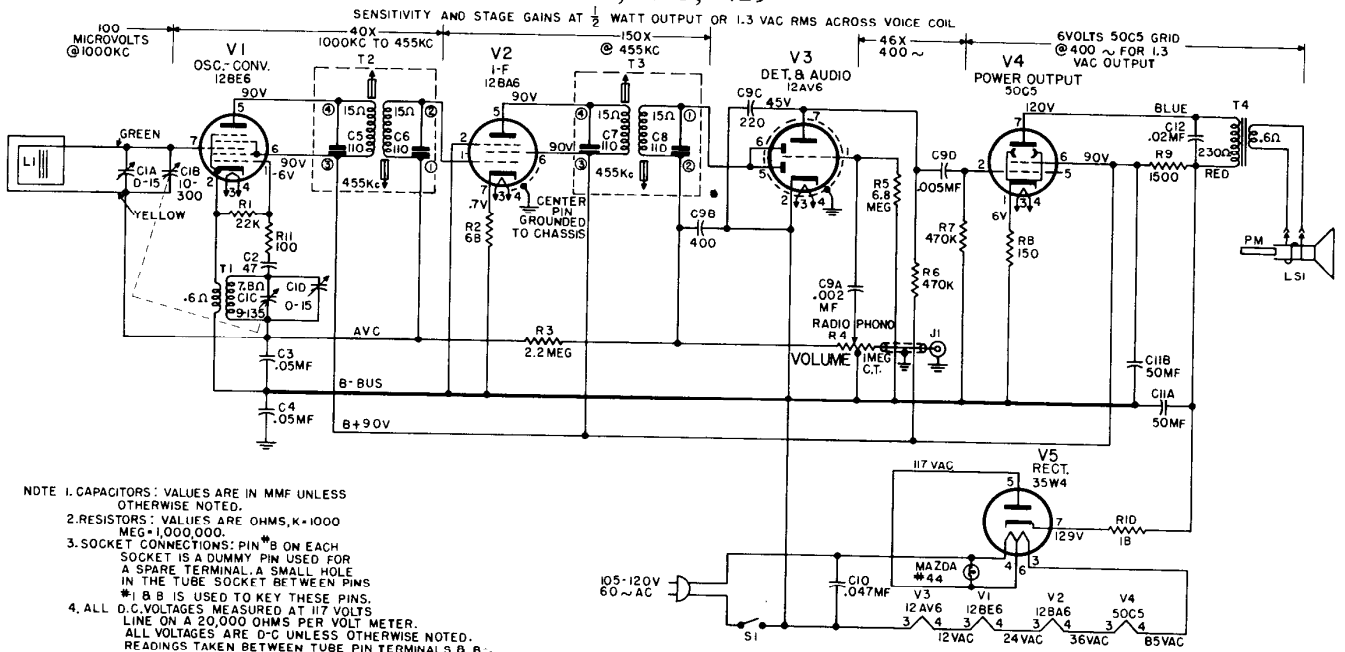


ARM V	
PIN 1, V3	C9A .002 MF
NO. 2, T3	
PIN 2, V3	C9B 400
PIN 7, V3	C9C 220
PIN 2, V4	C9D .025 MF

REPLACEMENT PARTS LIST—MODELS 424, 425

CAT. NO.	SYMBOL	DESCRIPTION	UNIT PRICE	CAT. NO.	DESCRIPTION	UNIT PRICE
CAPACITORS				MISCELLANEOUS ELECTRICAL		
*RCE-160	C11A, B	50-50 mf., 150 V., cardboard tubular electrolytic	\$1.85	R11-081	WAFER—Part of i-f transformer receptacle	\$0.05
RCN-050	C12	.02 mf., 600 V., paper, molded	.35	R11-082	WAFER—Part of tube receptacle	.05
*RCN-053	C10	.047 mf., paper, molded	.35	*RJC-004	CONNECTOR—Loudspeaker connector, female	.02
RCT-066	C1A, B, C, D	Tuning, two-gang	4.75	RJC-027	CONNECTOR—Tube pin connector, part of tube receptacle	.03
*RCW-3048	C9A, B, C, D	.002 mf., 400 mmf., 220 mmf., .005 mf., ceramic couplate	.90	RJC-028	CONNECTOR—Oscillator coil receptacle	.02
*RCW-3075	C2	47 mmf., ±20%, N2200, ceramic	.25	RJC-029	WIRE CONNECTOR—Push-on type terminal for i-f connecting lead	.05
*UCC-040	C13	.01 mf., 600 V., paper	.25	*RJC-030	I-F WAFER CONNECTOR	.02
*UCC-045	C3, 4	.05 mf., 600 V., paper	.30	RJC-031	I F WAFER CONNECTOR	.02
RESISTORS				*RWL-026	CORD—Power cord and plug, brown, for Model 424	.75
RRC-205	R4, S1	500K ohms, volume control and switch	\$1.60	*RWL-027	CORD—Power cord and plug, ivory, for Model 425	.75
*URD-021	R2	68 ohms, ±10%, ½ W., carbon	.13	*S403D7	LOUDSPEAKER—4-inch PM	4.30
*URD-025	R10	100 ohms, ±10%, ½ W., carbon	.13	MISCELLANEOUS MECHANICAL		
*URD-029	R8	150 ohms, ±10%, ½ W., carbon	.13	*RHC-024	CLIP—½ inch electrolytic mounting clip	\$0.10
*URD-081	R1	22K ohms, ±10%, ½ W., carbon	.13	RHC-061	CLIP—Holds Textolite sub-chassis	.10
URD-097	R11	100K ohms, ±10%, ½ W., carbon	.13	RHE-014	EYELET—Tube receptacle mounting	.01
*URD-113	R6, 7	470K ohms, ±10%, ½ W., carbon	.13	RHE-016	EYELET—I-F receptacle wafer mounting	.01
*URD-129	R3	2.2 megohms, ±10%, ½ W., carbon	.13	*RHG-018	GROMMET—Rubber grommet for tuning capacitor shock mounting	.05
*URD-141	R5	6.8 megohms, ½ W., carbon	.13	*RHH-004	FASTENER—Snap fastener, for mounting cabinet back	.02
*URF-053	R9	1500 ohms, ±10%, 2 W., carbon	.25	*RHI-017	STRAIN RELIEF—Two-piece strain relief for power cord entrance in chassis	.15
COIL & TRANSFORMERS				*RHJ-007	SPACER—In grommet for shock mounting tuning capacitor	.05
*RLC-122	T1	COIL—Oscillator coil	\$1.00	*RHS-109	SHIELD—Insulating spacer, black textolite, in chassis tube holes	.20
*RTL-143	T2, 3	TRANSFORMER—I-F	1.80	RHS-110	SHIELD—Tube shield for 12AV6 tube	.15
*RTO-128	T4	TRANSFORMER—Audio output	2.10	RMS-272	RING—Compression ring used with tuning control knob	.05
CABINETS & APPEARANCE ITEMS				CABINETS & APPEARANCE ITEMS		
* Used on previous receivers				*RAB-205	CABINET BACK—Back and antenna loop	\$1.35
PRICES ARE SUGGESTED LIST PRICES AND SUBJECT TO CHANGE WITHOUT NOTICE				*RAG-033	GRILLE CLOTH—Cabinet grille cloth, dark maroon, for Model 424	.30
				*RAG-034	GRILLE CLOTH—Cabinet grille cloth, ivory, for Model 425	.30
				RAU-376	CABINET—Mahogany, with dial scale, Model 424	6.15
				RAU-377	CABINET—Ivory, with dial scale, Model 425	6.75
				RDK-295	KNOB—Volume-Off-On control, ivory	.25
				RDK-306	KNOB—Tuning, ivory	.45

MODELS 427, 428, 429

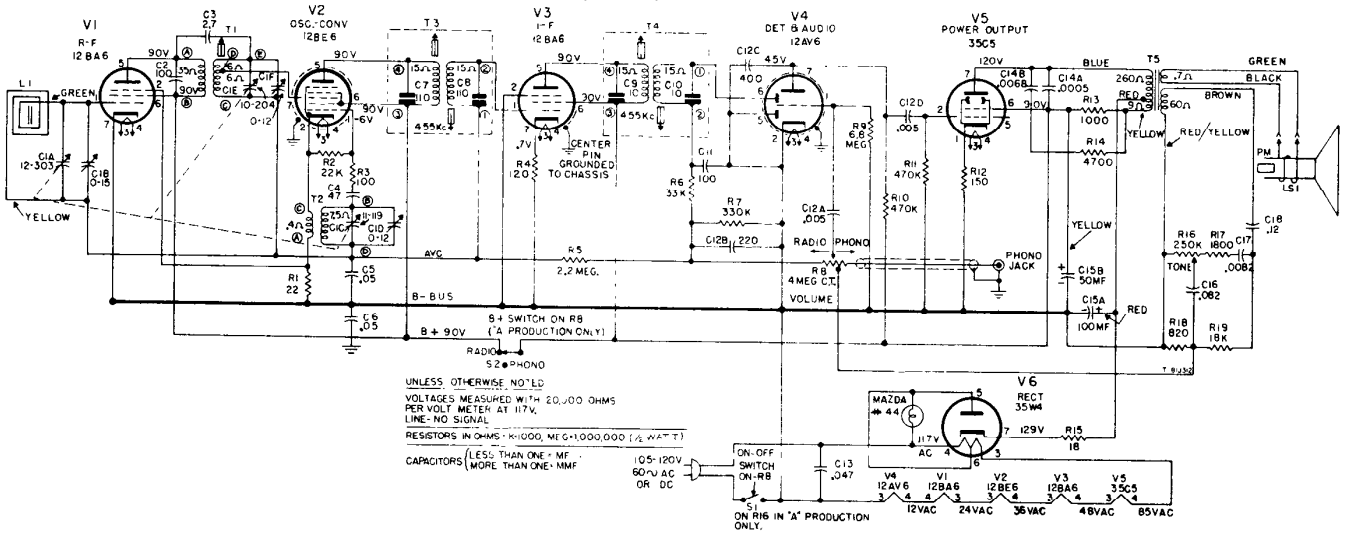


- NOTE 1. CAPACITORS: VALUES ARE IN MMF UNLESS OTHERWISE NOTED.
 2. RESISTORS: VALUES ARE OHMS, K=1000 MEG=1,000,000.
 3. SOCKET CONNECTIONS: PIN #B ON EACH SOCKET IS A DUMMY PIN USED FOR A SPARE TERMINAL, A SMALL HOLE IN THE TUBE SOCKET BETWEEN PINS #1 & B IS USED TO KEY THESE PINS.
 4. ALL D.C. VOLTAGES MEASURED AT 117 VOLTS LINE ON A 20,000 OHMS PER VOLT METER. ALL VOLTAGES ARE D-C UNLESS OTHERWISE NOTED. READINGS TAKEN BETWEEN TUBE PIN TERMINALS & B.

REPLACEMENT PARTS LIST—MODELS 427, 428, 429

Cat. No.	Symbol	Description	Unit Price	Cat. No.	Description	Unit Price
CAPACITORS				MISCELLANEOUS ELECTRICAL (Cont'd)		
*RCE-160	C11A, B	50-50 mf., 150 v., electrolyte.	\$2.10	*RJC-031	I-F CLIP—Dip solder contact and clip for I-F transformers, spring brass. Connects pin 5—12BE6 pins 1 and 5—12BA6.	\$0.02
*RCN-050	C12	.022 mf., 600 v., paper molded	.35	*RJS-182	CONNECTOR—Phono, for 1/4 in. dia. pin.	.15
*RCN-053	C10	.047 mf., +20%, 600 v.	.35	RJX-031	PILOT LIGHT ASS'Y—Includes bayonet type socket for Mazda No. 44 pilot lamp with clip-on bracket	.40
RCT-070	C1A, B, C, D	Tuning capacitor, two-gang	4.00	ROP-027	SPEAKER—4 inch, 3.2 ohms, yoke rotated 90°	4.95
*RCW-3048	C9A, B, C, D	.002 mf., 400 mmf., 220 mmf., .0005 mf., ceramic couplate	.90	*RWL-009	CORD—Power cord and plug, brown, 6 ft. long, Models 427-429	.70
*RCW-3075	C2	47 mmf., +20%, N2200, ceramic	.25	*RWL-016	CORD—Power cord and plug, ivory, 6 ft. long, Model 428	.75
*UCC-045	C3, 4	.05 mf., 600 v., paper	.30	MISCELLANEOUS MECHANICAL		
RESISTORS (CARBON TOLERANCE = 10%)				RDC-032	DIAL CORD—Bulk quantity 25 yds.	2.50
*URD-007	R10	18 ohms, 1/2 w.	.13	*RHC-024	CLIP—1/8 in., mounts C11A, B	.10
*URD-021	R2	68 ohms, 1/2 w.	.13	*RHC-061	CLIP—Holds Textolite sub-chassis	.10
*URD-025	R11	100 ohms, 1/2 w.	.13	*RHE-014	EYELET—Tube receptacle wafer mounting	.01
*URD-029	R8	150 ohms, 1/2 w.	.13	*RHE-016	EYELET—I-F receptacle wafer mounting	.01
*URD-081	R1	22,000 ohms, 1/2 w.	.13	*RHG-018	GROMMET—For tuning capacitor shock mounting	.05
*URD-113	R6, 7	470,000 ohms, 1/2 w.	.13	*RHI-017	GROMMET—Two-piece strain relief for power cord.	.15
*URD-129	R3	2.2 megohms, 1/2 w.	.13	*RHJ-005	SPACER—Metal, for tuning capacitor shock mounting	.02
*URD-141	R5	6.8 megohms, 1/2 w.	.13	*RHM-073	CLIP—Idler pulley retainer on volume control	.05
*URF-053	R9	1500 ohms, 2 w.	.25	*RHS-079	SHIELD—Flexible, 2 1/2 in. long, 1/4 in. dia.	.05
POTENTIOMETER				*RHS-108	LIGHT SHIELD—Dial light shield, black fiber tubing, 13/16 in. long, 7/16 in. dia.	.05
RRC-234	R4, S1	VOLUME CONTROL & SWITCH, one megohm	1.85	*RHS-109	INSULATING SPACER—Black Textolite in chassis tube holes.	.20
COILS & TRANSFORMERS				*RHS-110	SHIELD—Miniature tube shield, metal, 1 1/4 in. long for 12AV6	.15
*RLC-122	T1	COIL—Oscillator	1.00	*RHS-111	SHIELD POST—Tube pin shield, mounts wafer of tube receptacles spring brass, 9/16 in. long, 1/4 in. dia.	.03
*RLL-055	L1	ANTENNA—Ferrite core, 300 uh inductance, 7 in. lg., 1/4 in. dia.	1.50	*RII-084	ANTENNA COVER—Polystyrene, molded brown, 10 1/4 in. long, 3/4 in. wide	.60
*RTL-143	T2, 3	TRANSFORMER—I-F	1.80	RII-090	SHIELD—Heat shield, fiber wafer, used on 50C5 tube socket	.05
*RTO-128	T4	TRANSFORMER—Output	1.90	*RMS-118	SPRING—Dial cord tension spring	.10
MISCELLANEOUS ELECTRICAL				*RMW-070	IDLER PULLEY—on volume control shaft.	.05
MISCELLANEOUS ELECTRICAL				*RMX-195	TUNING SHAFT & BUSHING ASSEMBLY	.55
MISCELLANEOUS ELECTRICAL				CABINETS & APPEARANCE ITEMS		
*RII-081	WAFER	Part of I-F transformer receptacle 15/16 in. x 1/2 in.	.05	RAB-221	BACK—Cabinet, back only, masonite 12 1/4 in. x 4 1/2 in.	.25
*RII-082	WAFER	Part of tube receptacle 1 1/32 in. dia.	.05	*RAG-033	GRILLE CLOTH—Cabinet grille cloth dark maroon, includes chipboard mounting ring 3 47/64 in. dia., Models 427, 429	.30
RII-088	BOARD	Sub-chassis, bare, no hardware or parts	.60	*RAG-034	GRILLE CLOTH—Cabinet grille cloth ivory, includes chipboard mounting ring 3 47/64 in. dia., Model 428	.30
*RJC-004	TERMINAL	Female speaker connector on audio output leads	.02	RAU-385	CABINET—Plastic mahogany, for Model 427	8.50
RJC-027	CONTACT	Dip solder contact, includes tube pin clip for tube receptacles	.03	RAU-386	CABINET—Plastic, ivory, for Model 428	8.50
*RJC-028	CONNECTOR	Dip solder terminal only, used on RLC-122, and as common connector	.02	RAU-387	CABINET—Plastic, red, for Model 429	8.50
*RJC-030	CLIP	Dip solder contact and clip for I-F transformer, spring brass, connects pin 6—12BE6, pin 6—12BA6 and pin 6—12AV6	.02	*RDK-294	KNOB—Tuning, fawn color, Rich-Lo brass insert	.20
				RDK-354	KNOB—Phono-Off-Radio (Volume) fawn color, Rich-Lo brass insert, white lettering.	.30
				RDP-077	DIAL POINTER—Polished Rich-Lo brass with red plastic flag, 1 27/32 in. long	.45
				RDW-072	DIAL SCALE & WINDOW—Plastic, gold trim, with dial scale, 7 1/2 in. x 3 11/64 in.	2.25
				RYN-017	MEDALLION—Dial beam, adhesive-metalized styrene, background gold	.30
				RDG-007	Scale Backplate	

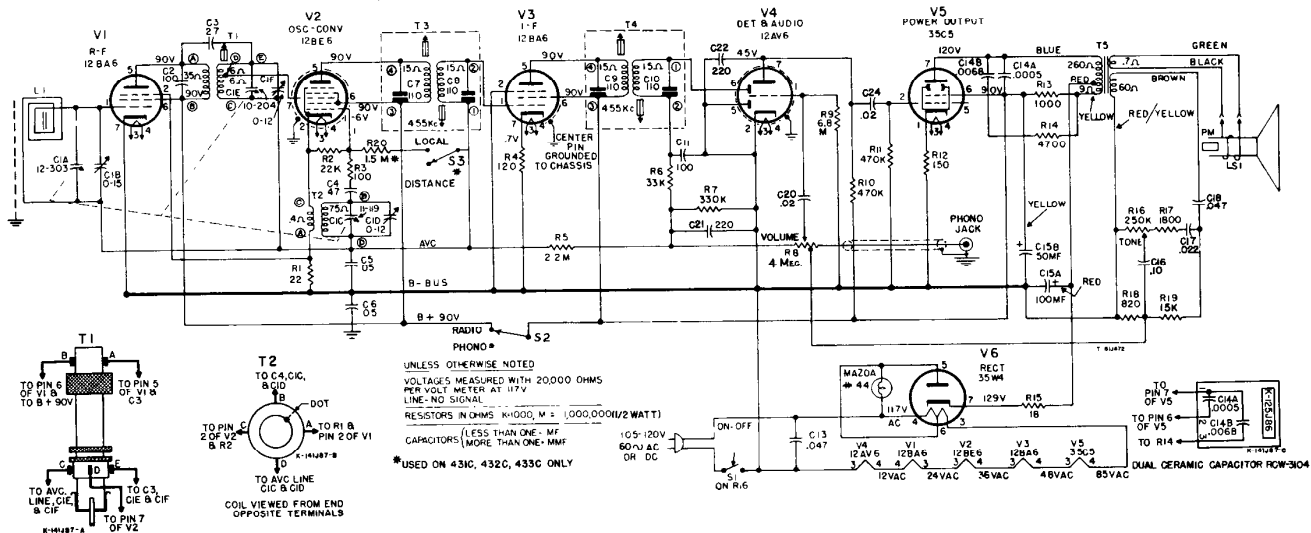
MODELS 431, 432, 431A 432A



REPLACEMENT PARTS LIST—431 SERIES

CAT. NO.	SYMBOL	DESCRIPTION	UNIT PRICE	CAT. NO.	SYMBOL	DESCRIPTION	UNIT PRICE
CAPACITORS				MISCELLANEOUS ELECTRICAL (Cont'd)			
RCC-126	C18	.047 mf., ±20%, 200 v. paper. Models 431B-C, 432B-C, 433B-C.	\$0.35	*RJC-028		CONNECTOR—Dip solder terminal used on RLC-126.	\$0.02
RCC-127	C17	.022 mf., ±20%, 200 v. paper. Models 431B-C, 432B-C, 433B-C.	.35	*RJC-030		I-F CLIP—Dip solder contact and clip for i-f transformers, spring brass, connects pin 6—12BB6, pin 6—12BA6 and pin 5—12AV6.	.02
RCC-128	C16	.1 mf., ±20%, 200 v. paper. Models 431B-C, 432B-C, 433B-C.	.40	*RJC-031		I-F CLIP—Dip solder contact and clip for i-f transformers, spring brass, connects pin 5—12BB6, pin 1—12BA6 and pin 5—12BA6.	.02
RCC-129	C20, 24	.02 mf., 400 v. paper. Models 431B-C, 432B-C, 433B-C.	.35	*RJS-182		PHONO JACK—Phono input socket, .687 mounting center.	.15
RCE-166	C15A, B	100-50 mf., 150 v. electro.	2.60	*RJK-031		PILOT LIGHT—Pilot light socket and bracket.	.40
RCN-053	C13	.047 mf., 600 v., ±20% paper, molded.	.35	*RSS-009		SWITCH—Local distance switch.	.30
RCN-054	C17	.0082 mf., ±10%, 400 v. paper, molded. Models 431-A, 432-A.	.40	*RWL-009		CORD—Power cord and plug, brown, 6 ft. long.	.70
RCN-078	C18	.12 mf., ±10%, 200 v., molded Models 431-A, 432-A.	.50	*RWL-016		CORD—Power cord and plug, ivory, 6 ft. long.	.75
RCN-079	C16	.082 mf., 10%, 200 v. molded. Models 431-A, 432-A.	.45	RWX-055		PILOT LAMP SOCKET ASS'Y—"C" sets only.	.70
RCT-074	C1A, B, C	TUNING—Three gang with drum & dial beam bracket.	5.25	*S625D7		LOUDSPEAKER—5 1/4 in. PM, 4 w., 3.2 ohm voice coil.	6.35
RCT-082	C1A, B, C	TUNING—Three gang with drum & bracket "C" series sets only.	5.25	CABINETS AND APPEARANCE ITEMS			
RCW-3039	C3	2.7 mmf., ±20%, ceramic.	.25	RAB-226		CABINET BACK—Masonite 13 1/2 x 4 1/2 in. Models 431-A, 432-A.	8.25
RCW-3075	C4	47 mmf., ±20%, ceramic.	.25	RAB-241		CABINET BACK—Masonite 13 1/2 x 4 1/2 in. Models 431B-C, 432B-C, 433B-C, used with loop shield RHS-126.	.30
RCW-3079	C2, 11	100 mmf., ±20%, ceramic.	.25	RAG-058		GRILLE—Gold plastic grille, fits in front of speaker.	1.85
RCW-3104	C14A, B	.0068 mf., & .0005 mf., ceramic.	.50	RAU-392		CABINET—Dark brown, plastic, Models 431-A-B-C.	8.00
RCW-3105	C12A, B, C, D	Ceramic Bullplate—Section 1, .005 mf., +100 -0%; Section 2, 220 mmf., & 400 mmf., +70 -30%; Section 3, .005 mf., ±100%. Models 431-A, 432-A.	.90	RAU-413		CABINET—Ivory, plastic, Models 432-A-B-C.	8.00
RCW-3137	C21-22	220 mmf., disk ceramic, Models 431B-C, 432B-C, 433B-C.	.25	RDF-013		CABINET—Gray, plastic, Models 433B-C.	8.50
UCC-045	C5, 6	.05 mfd., 600 v. paper.	.30	RDF-014		WASHER—Brown felt washer for 431C.	.05
RESISTORS				MISCELLANEOUS MECHANICAL			
RRC-241	R8, S1	POTENTIOMETER—Volume control and switch, 2-way, 2 meg. Models 431, 432.	1.95	RDF-015		WASHER—Ivory felt washer for 432C.	.05
RRC-242	R16	POTENTIOMETER—Tone control 250,000 ohms. Models 431, 432.	1.10	RDF-016		WASHER—Gray felt washer for 433C.	.05
RRC-254	R8, S2	POTENTIOMETER—Volume control, 4 meg. center tapped with B + switch for R-F and oscillator. Models 431A-B-C, 432A-B-C, 433B-C.	1.60	RDF-017		DIAL BACKPLATE ASS'Y—Plastic (red and gold).	1.30
RRC-255	R16, S1	POTENTIOMETER—Tone control 250,000 ohms with on-off switch. Models 431A-B, 432A-B, 433B-C.	1.60	RDK-294		KNOB—Tone and tuning knob, fawn.	.20
RRC-309	R16, S1	POTENTIOMETER—Tone control 250,000 ohms with push-pull on-off switch. Models 431C, 432C, 433C.	1.70	RDK-295		KNOB—Volume, radio-phon, with white dot, fawn. Models 431-A-B-C, 432-A-B-C.	.30
URD-007	R15	18 ohms, ±10%, 1/2 w. carbon.	.13	RDK-315		KNOB—Volume, radio-phon, with white dot, ivory. Models 433B-C.	.30
URD-009	R1	22 ohms, ±10%, 1/2 w. carbon.	.13	RDK-316		POINTER—Dial pointer. Fits on 1/2 in. shaft.	.50
URD-025	R3	100 ohms, ±10%, 1/2 w. carbon.	.13	RDF-079		WINDOW—Dial window with white scale, plastic. Model 431.	.65
URD-027	R4	120 ohms, ±10%, 1/2 w. carbon.	.13	RDF-073		WINDOW—Dial window with white scale, plastic. Model 432.	.65
URD-029	R12	150 ohms, ±10%, 1/2 w. carbon.	.13	RDW-075		WINDOW—Dial window with white scale, plastic. Models 431A-B-C, 433B-C.	.70
URD-047	R18	820 ohms, ±10%, 1/2 w. carbon.	.13	RDW-081		WINDOW—Dial window with white scale, plastic. Models 431A-B-C, 433B-C.	.70
URD-055	R17	1800 ohms, ±10%, 1/2 w. carbon.	.13	RDW-082		WINDOW—Dial window with brown scale. Models 432A-B-C.	.70
URD-065	R14	4700 ohms, ±10%, 1/2 w. carbon.	.13	RRI-084		COVER—Plastic loop cover 10 1/4 x 1 1/2 in.	.60
URD-077	R19	15,000 ohms, ±10%, 1/2 w. carbon. Models 431B-C, 432B-C, 433B-C.	.13	RYN-019		MEDALLION.	.35
URD-079	R19	18,000 ohms, ±10%, 1/2 w. carbon. Models 431-A, 432-A.	.13	MISCELLANEOUS ELECTRICAL			
URD-081	R2	22,000 ohms, ±10%, 1/2 w. carbon.	.13	*RDC-032		DIAL CORD—Drive cord, .28 in. dia. Newton Line Co. NF-28 or equiv. 25 yds.	2.50
URD-085	R6	33,000 ohms, ±10%, 1/2 w. carbon.	.13	*RHC-024		CLIP—1/2 in. electro. mtg. clip.	.10
URD-109	R7	330,000 ohms, ±10%, 1/2 w. carbon.	.13	*RHC-061		CLIP—Holds textolite sub-chassis.	.10
URD-113	R10, 11	470,000 ohms, ±10%, 1/2 w. carbon.	.13	*RHE-014		EYELET—Tube receptacle wafer mtg.	.01
URD-125	R20	1.5 meg., ±10%, 1/2 w. carbon.	.13	*RHE-016		EYELET—T-f trans. wafer mtg.	.01
URD-129	R5	2.2 meg., ±10%, 1/2 w. carbon.	.13	*RHI-017		STRAIN RELIEF—Two-piece strain relief for power cord.	.15
URD-141	R9	6.8 meg., ±10%, 1/2 w. carbon.	.13	*RHJ-005		SPACER—Spacer bushing and sleeve for mounting tuning cap. 230 O.D. x .168 I.D.	.02
URF-049	R13	1000 ohms, ±10%, 2 w. carbon.	.25	*RHS-041		SCREW—No. 6 x 1/4 in. long for loudspeaker and grille mtg.	.02
COILS AND TRANSFORMERS				*RHS-108		SHIELD—Pilot light shield.	.05
*RLB-034	T1	COIL—R-f coil.	1.35	*RHS-109		SPACER—Black textolite, used in chassis tube holes.	.20
RLC-126	T2	COIL—Oscillator coil.	.90	*RHS-110		SHIELD—Tube shield, metal, 1 1/4 in. long for 12AV6 and 12BB6.	.15
*RLL-055	L1	LOOP—Antenna, wound on ferrite rod, 7 x 1/2 in. Models 431A, 432-A.	1.50	*RHS-118		EYELET PIN—Eyelet and soldering point used to mount lat i-f socket wafer.	.05
RLL-060	L1*	LOOP—Antenna, wound on ferrite rod, 7 x 1/2 in. used with loop shield RHS-126. Models 431B-C, 432B-C, 433B-C.	1.20	RHS-126		LOOP SHIELD—Electro. shield over ferrite antenna rod RLL-060. Models 431B-C, 432B-C, 433B-C.	.50
*RTL-143	T3, 4	TRANSFORMER—I-f transformer.	1.80	*RII-081		WAFER—Part of i-f transformer receptacle 1/2 x 1/4 in.	.05
RTO-145	T5	TRANSFORMER—Audio output transformer.	3.40	*RII-082		WAFER—Part of tube receptacle 1 1/2 in. dia.	.05
MISCELLANEOUS ELECTRICAL				*RII-090		HEAT SHIELD—1 x 1 in. asbestos base phenolic shield between chassis tube hole spacer, RHS-109, and textolite sub-chassis used at 35W4 and 35C5 tubes.	.05
*RJC-004		CONNECTOR—Small female, on audio input leads.	.02	RRI-091		BOARD—Sub-chassis, bare, no hardware or parts.	.60
*RJC-027		CONT. ACT.—Dip solder contact, incl. tube pin clip for tube receptacle.	.03	*RMS-118		SPRING—Dial cord tension spring.	.10
				*RMW-070		PULLEY—1/2 in. idler pulley, fits on 1/4 in. volume control shaft.	.05
				RMX-258		SHAFT—Drive shaft and bushing assembly.	.50

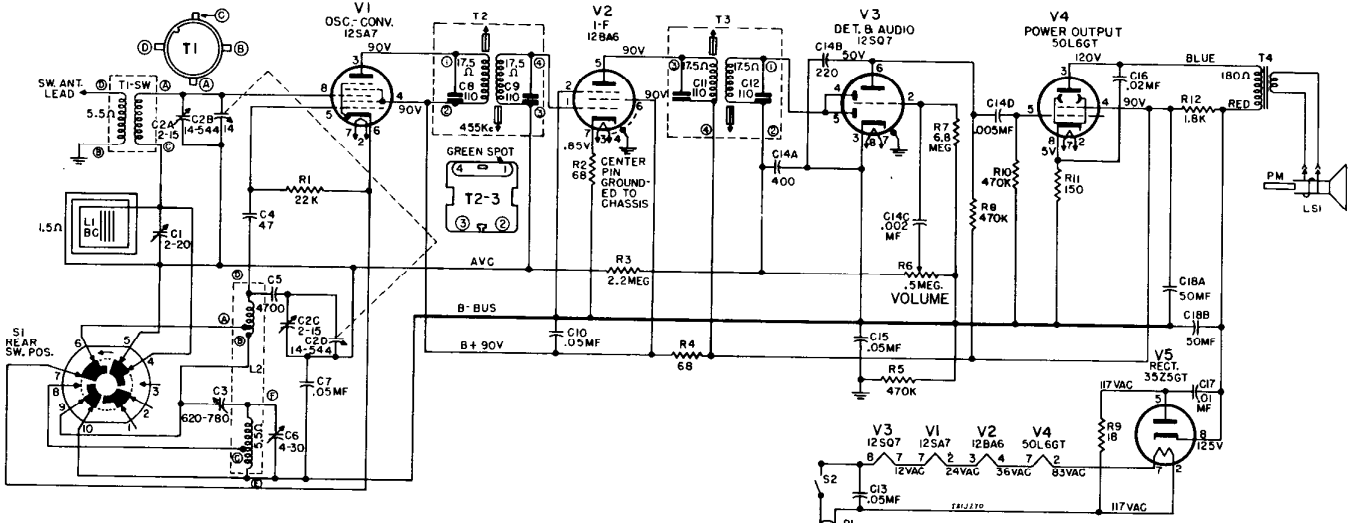
SCHEMATIC DIAGRAM 431B, 431C, 432B, 432C, 433B, 433C



REPLACEMENT PARTS LIST—431 SERIES

CAT. NO.	SYMBOL	DESCRIPTION	UNIT PRICE	CAT. NO.	SYMBOL	DESCRIPTION	UNIT PRICE
CAPACITORS				MISCELLANEOUS ELECTRICAL (Cont'd)			
RCC-126	C18	.047 mf., ±20%, 200 v. paper. Models 431B-C, 432B-C, 433B-C.	\$0.35	*RJC-028		CONNECTOR—Dip solder terminal used on RLC-126.	\$0.02
RCC-127	C17	.022 mf., ±20%, 200 v. paper. Models 431B-C, 432B-C, 433B-C.	.35	*RJC-030		I-F CLIP—Dip solder contact and clip for i-f transformers, spring brass, connects pin 6—12BE6, pin 6—12BA6 and pin 6—12AV6.	.02
RCC-128	C16	.1 mf., ±20%, 200 v. paper. Models 431B-C, 432B-C, 433B-C.	.40	*RJC-031		I-F CLIP—Dip solder contact and clip for i-f transformers, spring brass, connects pin 5—12BE6, pin 1—12BA6 and pin 5—12BA6.	.02
RCC-129	C20, 24	.02 mf., 400 v. paper. Models 431B-C, 432B-C, 433B-C.	.35	*RJS-182		PHONO JACK—Phono input socket, .687 mounting center.	.15
RCE-166	C15A, B	100-50 mf., 150 v. electro.	2.60	*RJK-031		PILOT LIGHT—Pilot light socket and bracket.	.40
RCN-053	C13	.047 mf., 600 v., ±20% paper, molded.	.35	*RSS-009		SWITCH—Local distance switch.	.30
RCN-054	C17	.0082 mf., ±10%, 400 v. paper, molded. Models 431-A, 432-A.	.40	*RWL-009		CORD—Power cord and plug, brown, 6 ft. long.	.70
RCN-078	C18	.12 mf., ±10%, 200 v. molded. Models 431-A, 432-A.	.50	*RWL-016		CORD—Power cord and plug, ivory, 6 ft. long.	.75
RCN-079	C16	.082 mf., 10%, 200 v. molded. Models 431-A, 432-A.	.45	RWX-055		PILOT LAMP SOCKET ASS'Y—"C" sets only.	.70
RCT-074	C1A, B, C	TUNING—Three gang with drum & dial beam bracket.	5.25	*S625D7		LOUDSPEAKER—6 1/4 in. PM, 4 w., 3.2 ohm voice coil.	6.35
RCT-082	C1A, B, C	TUNING—Three gang with drum & bracket "C" series sets only.	5.25	CABINETS AND APPEARANCE ITEMS			
RCW-3039	C3	2.7 mmf., ±20%, ceramic.	.25	RAB-226		CABINET BACK—Masonite 13 3/4 x 4 3/4 in. Models 431-A, 432-A.	8.25
RCW-3075	C4	47 mmf., ±20%, ceramic.	.25	RAB-241		CABINET BACK—Masonite 13 3/4 x 4 1/4 in. Models 431B-C, 432B-C, 433B-C, used with loop shield RHS-126.	.30
RCW-3079	C2, 11	100 mmf., ±20%, ceramic.	.25	RAG-058		GRILLE—Gold plastic grille, fits in front of speaker.	1.85
RCW-3104	C14A, B	.0068 mf. & .0005 mf., ceramic.	.25	RAU-392		CABINET—Dark brown, plastic, Models 431-A-B-C.	8.00
RCW-3105	C12A, B, C, D	Ceramic Bullplate—Section 1, .005 mf., ±100-0%; Section 2, 220 mmf., ±400 mmf., ±70-30%; Section 3, .005 mf., ±100%. Models 431-A, 432-A.	.90	RAU-393		CABINET—Ivory, plastic, Models 432-A-B-C.	8.00
RCW-3137	C21-22	220 mmf., disk ceramic, Models 431B-C, 432B-C, 433B-C.	.25	RAU-413		CABINET—Gray, plastic, Models 433B-C.	8.50
UCC-045	C5, 6	.05 mfd., 600 v. paper.	.30	RDF-013		WASHER—Brown felt washer for 431C.	.05
RESISTORS				RDF-014		WASHER—Ivory felt washer for 432C.	.05
RRC-241	R8, S1	POTENTIOMETER—Volume control and switch, 2-way, 2 meg. Models 431, 432.	1.95	RDF-015		WASHER—Gray felt washer for 433C.	.05
RRC-242	R16	POTENTIOMETER—Tone control 250,000 ohms, Models 431, 432.	1.10	RDG-006		DIAL BACKPLATE ASS'Y—Plastic (red and gold).	1.30
RRC-254	R8, S2	POTENTIOMETER—Volume control, 4 meg. center tapped with B + switch for R-F and oscillator. Models 431A-B-C, 432A-B-C, 433B-C.	1.60	RDK-294		KNOB—Tone and tuning knob, fawn.	.20
RRC-255	R16, S1	POTENTIOMETER—Tone control 250,000 ohms, with on-off switch. Models 431A-B, 432A-B, 433B.	1.60	RDK-295		KNOB—Tone and tuning knob, ivory. Models 433B-C.	.20
RRC-309	R16, S1	POTENTIOMETER—Tone control 250,000 ohms with push-pull on-off switch. Models 431C, 432C, 433C.	1.70	RDK-315		KNOB—Volume, radio-phon, with white dot, fawn. Models 431-A-B-C, 432-A-B-C.	.30
URD-007	R15	18 ohms, ±10%, 1/2 w. carbon.	.13	RDK-316		KNOB—Volume, radio-phon, with white dot, ivory. Models 433B-C.	.30
URD-009	R1	22 ohms, ±10%, 1/2 w. carbon.	.13	RDP-079		POINTER—Dial pointer. Fits on 1/2 in. shaft.	.50
URD-025	R3	100 ohms, ±10%, 1/2 w. carbon.	.13	RDW-073		WINDOW—Dial window with white scale, plastic. Model 431.	.65
URD-027	R4	120 ohms, ±10%, 1/2 w. carbon.	.13	RDW-075		WINDOW—Dial window with brown scale, plastic. Model 432.	.65
URD-029	R12	150 ohms, ±10%, 1/2 w. carbon.	.13	RDW-081		WINDOW—Dial window with white scale, plastic. Models 431A-B-C, 433B-C.	.70
URD-047	R18	820 ohms, ±10%, 1/2 w. carbon.	.13	RDW-082		WINDOW—Dial window with brown scale. Models 432A-B-C.	.70
URD-055	R17	1800 ohms, ±10%, 1/2 w. carbon.	.13	RRI-084		COVER—Plastic loop cover 10 1/4 x 1 1/2 in.	.60
URD-065	R14	4700 ohms, ±10%, 1/2 w. carbon.	.13	RYN-019		MEDALLION.	.35
URD-077	R19	15,000 ohms, ±10%, 1/2 w. carbon. Models 431B-C, 432B-C, 433B-C.	.13	MISCELLANEOUS MECHANICAL			
URD-079	R19	18,000 ohms, ±10%, 1/2 w. carbon. Models 431-A, 432-A.	.13	*RDC-032		DIAL CORD—Drive cord .28 in. dia. Newton Line Co. NF-28 or equiv. 25 yds.	2.50
URD-081	R2	22,000 ohms, ±10%, 1/2 w. carbon.	.13	*RHC-024		CLIP—1/2 in. electro. mtg. clip.	.10
URD-085	R6	33,000 ohms, ±10%, 1/2 w. carbon.	.13	*RHC-061		CLIP—Holds textolite sub-chassis.	.10
URD-109	R7	330,000 ohms, ±10%, 1/2 w. carbon.	.13	*RHE-014		EYELET—Tube receptacle wafer mtg.	.01
URD-113	R10, 11	470,000 ohms, ±10%, 1/2 w. carbon.	.13	*RHE-016		EYELET—T-f trans. wafer mtg.	.01
URD-125	R20	1.5 meg., ±10%, 1/2 w. carbon.	.13	*RHI-017		STRAIN RELIEF—Two-piece strain relief for power cord.	.15
URD-129	R5	2.2 meg., ±10%, 1/2 w. carbon.	.13	*RHJ-005		SPACER—Spacer bushing and sleeve for mounting tuning cap. 230 O.D. x 168 I.D.	.02
URD-141	R9	6.8 meg., ±10%, 1/2 w. carbon.	.13	*RHS-041		SCREW—No. 6 x 1/2 in. long for loudspeaker and grille mtg.	.02
URF-049	R13	1000 ohms, ±10%, 2 w. carbon.	.25	*RHS-108		SHIELD—Pilot light shield.	.05
COILS AND TRANSFORMERS				*RHS-109		SPACER—Black textolite, used in chassis tube holes.	.20
*RLB-034	T1	COIL—R-f coil.	1.35	*RHS-110		SHIELD—Tube shield, metal, 1 1/4 in. long for 12AV6 and 12BE6.	.15
RLC-126	T2	COIL—Oscillator coil.	.90	*RHS-118		EYELET PIN—Eyelet and soldering point used to mount 1st i-f socket wafer.	.05
*RLI-055	L1	LOOP—Antenna, wound on ferrite rod, 7 x 1/2 in. Models 431A, 432-A.	1.50	RHS-126		LOOP SHIELD—Electro. shield over ferrite antenna rod RLL-060. Models 431B-C, 432B-C, 433B-C.	.50
RLL-060	L1	LOOP—Antenna, wound on ferrite rod, 7 x 1/2 in. used with loop shield RHS-126. Models 431B-C, 432B-C, 433B-C.	1.20	*RII-081		WAFER—Part of i-f transformer receptacle H x 1/4 in.	.05
*RTL-143	T3, 4	TRANSFORMER—I-f transformer.	1.80	*RII-082		WAFER—Part of tube receptacle 1 1/2 in. dia.	.05
RTO-145	T5	TRANSFORMER—Audio output transformer.	3.40	*RII-090		HEAT SHIELD—1 x 1 in. asbestos base phenolic shield between chassis tube hole spacer, RHS-109, and textolite sub-chassis used at 35W4 and 35C5 tubes.	.05
MISCELLANEOUS ELECTRICAL				RII-091		BOARD—Sub-chassis, bare, no hardware or parts.	.60
*RJC-004		CONNECTOR—Small female, on audio output leads.	.02	*RMS-118		SPRING—Dial cord tension spring.	.10
*RJC-027		CONTACT—Dip solder contact, incl. tube pin clip for tube receptacle.	.03	*RMW-070		PULLEY—1/2 in. idler pulley, fits on 1/4 in. volume control shaft.	.05
				RMX-258		SHAFT—Drive shaft and bushing assembly.	.50

MODEL 436

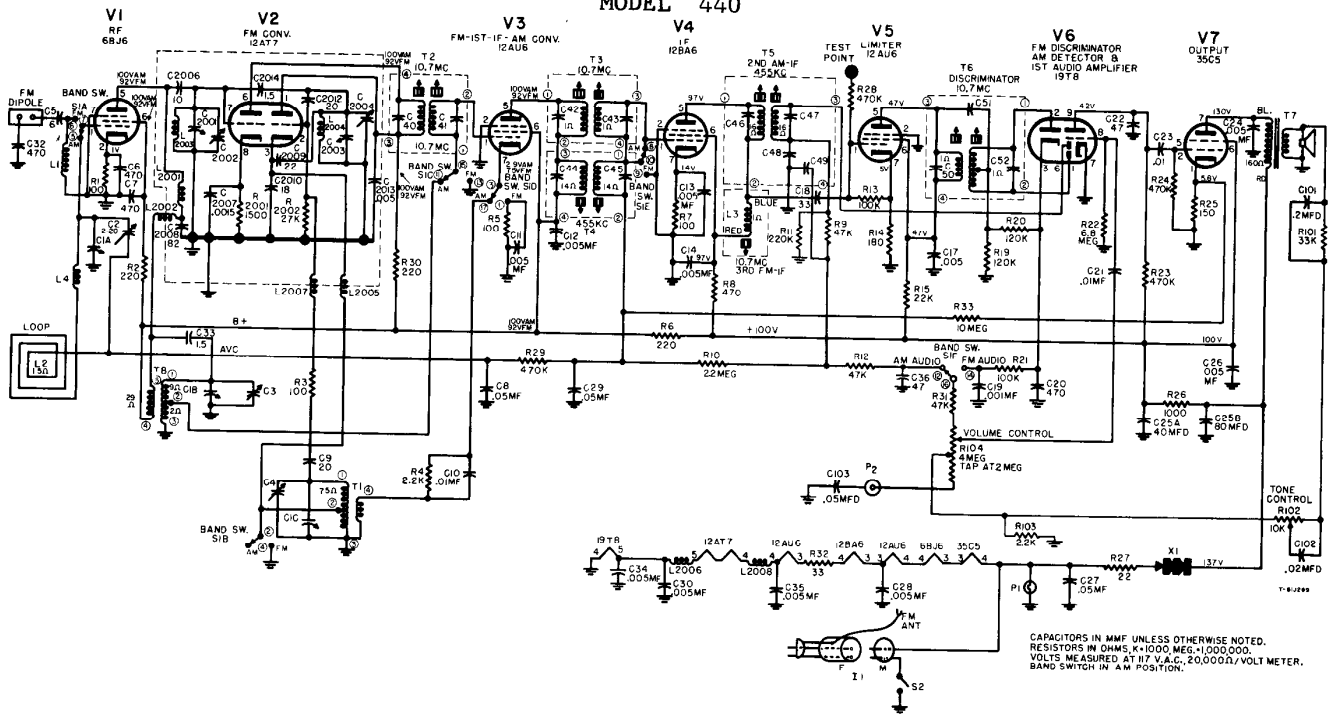


CAPACITORS IN MMF UNLESS OTHERWISE NOTED.
 RESISTORS IN OHMS, K=1000, MEG.=1,000,000.
 VOLTS MEASURED AT 117V.A.C. LINE, 20,000Ω/V. METER
 WITH RESPECT TO B+. TUNING COND. CLOSED, VOLUME
 CONTROL AT MINIMUM.

REPLACEMENT PARTS LIST, MODEL 436

Cat. No.	Symbol	Description	Unit Price	Cat. No.	Symbol	Description	Unit Price
CAPACITORS				MISCELLANEOUS ELECTRICAL			
*RCC-028	C10	.05 mf, +40 -10%, 400 v., paper...	\$0.25	*RJS-003		SOCKET—For tubes 50L6, 35Z5, 12SQ7, 12SA7	\$0.20
*RCC-040	C17	.01 mf, +40 -10%, 600 v., paper...	.30	*RJS-141		SOCKET—For 12BA6	.20
*RCC-041	C16	.02 mf, +40 -10%, 600 v., paper...	.30	*RSW-096	S1	SWITCH—Band change switch	1.75
*RCE-097	C18B, C	50-50 mf, 150 v., electrolytic	1.70	*RWL-009		CORD—Power cord & plug, brown, ivory plug, 6 ft. long	.70
RCT-072	C2A, B, C, D	TUNING—Two-gang with drive drum	9.00	*S403-D7	LS1	LOUDSPEAKER—4-inch PM	4.30
*RCW-1043	C4	47 mm, ±2%, 0 temp. coeff., ceramic	.60	MISCELLANEOUS MECHANICAL			
*RCW-3048	C14A, B, C, D	BULLPLATE—Consists of four capacitors in two sections: 1-.002 mmf, +100 -0%, 2-440 mmf, 220 mmf, +70 -30%, .005 mmf, +100 -0%	.90	*RAP-036		PLATE—I-F adapter plate	.10
*RCY-058	C1	TRIMMER—2-20 mf	.40	*RDC-032		CORD—Drive cord, 25 yds. bulk	2.50
RCY-072	C3, 6	TRIMMER	1.65	RDG-005		BACKPLATE—Dial scale backplate (grey)	.30
*UCC-045	C7, 13, 15	.05 mf, +40 -10%, 600 v., paper	.30	*RHC-024		CLIP—Electrolytic mounting clip	.10
*UCU-2568	C5	4700 mmf, ±5%, 500 v., mica	.85	*RHC-038		CLIP—Antenna mounting	.02
RESISTORS				MISCELLANEOUS MECHANICAL			
RRC-100	R6, S2	VOLUME CONTROL & SWITCH—500,000 ohms	1.65	*RHC-053		CLIP—I-F can mounting	.02
*URD-007	R9	18 ohms, ±10%, ½ w.	.13	*RHG-006		SLEEVE—Volume control shaft, fiber	.05
*URD-021	R2, 4	68 ohms, ±10%, ½ w.	.13	*RHG-012		GROMMET—For front chassis mounting	.05
*URD-029	R11	150 ohms, ±10%, ½ w.	.13	*RHG-040		GROMMET—For rear chassis mounting	.05
*URD-081	R1	22,000 ohms, ±10%, ½ w.	.13	*RHI-017		STRAIN RELIEF—Two-piece insulator for power cord	.15
*URD-113	R5, 8, 10	470K ohms, ±10%, ½ w.	.13	*RII-084		LOOP SHIELD—Antenna cover, polystyrene	.60
*URD-129	R3	2.2 meg., ±10%, ½ w.	.13	*RMM-206		CORK—For front chassis mounting	.05
*URD-141	R7	6.8 meg., ±10%, ½ w.	.13	*RMS-118		SPRING—Dial cord tension spring	.10
*URF-055	R12	1800 ohms, ±10%, 2 w.	.25	*RMW-070		PULLEY—Idler pulley	.05
COILS AND TRANSFORMERS				MISCELLANEOUS MECHANICAL			
*RLA-039	T1	COIL—Antenna coil, short wave	1.75	*RMX-150		SHAFT—Tuning control shaft mounting bushing, less nut	.50
*RLC-094	L2	COIL—Oscillator coil	3.50	CABINET AND APPEARANCE ITEMS			
RLL-054	L1	LOOP ANTENNA—Ferrite core	1.50	RAB-225		BACK—Cabinet back less antenna	.40
*RTL-142	T2, 3	TRANSFORMER—1st and 2nd I-F	1.85	RAU-391		CABINET AND DIAL SCALE—Plastic, mahogany	11.50
*RTO-115	T4	TRANSFORMER—Audio output	1.90	*RDK-031		KNOB—Mahogany, f. tuning and volume control	.10
				*RDK-183		KNOB—Band change switch, mahogany	.15
				RIP-078		POINTER—Dial pointer, red plastic flag	.45
*Parts used on previous receivers.							
PRICES ARE SUGGESTED LIST PRICES AND SUBJECT TO CHANGE WITHOUT NOTICE							

MODEL 440



CAPACITORS IN MMF UNLESS OTHERWISE NOTED.
 RESISTORS IN OHMS, K=1000, MEG.=1,000,000.
 VOLTS MEASURED AT 117 V.A.C., 20,000Ω/VOLT METER,
 BAND SWITCH IN 'AM' POSITION.

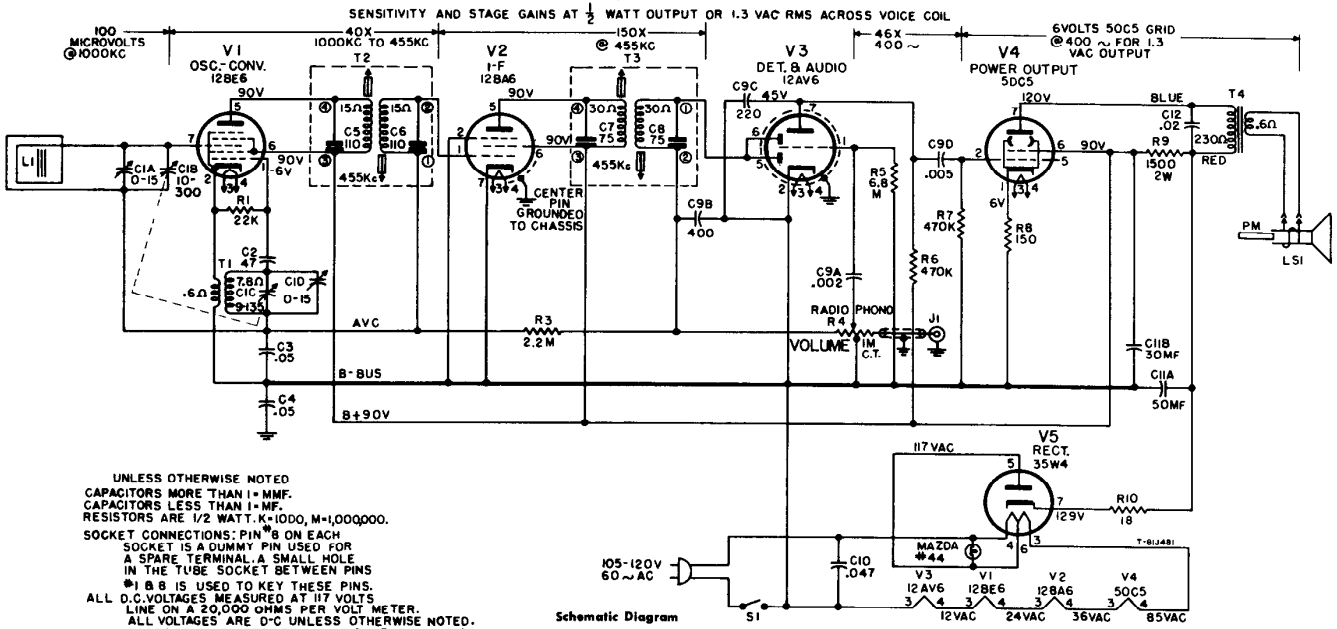
REPLACEMENT PARTS LIST—MODEL 440

Cat. No.	Symbol	Description	Unit Price	Cat. No.	Symbol	Description	Unit Price
CAPACITORS (FIXED AND VARIABLE)				COILS AND TRANSFORMERS (CONT'D)			
*RCE-101	C25A, B	40 80 mf., 150 v., electrolytic	\$2.00	*RLI-163	L1	CHOKE—FM Antenna	\$0.15
*RCN-040	C5	6 mmf., ceramic	.25	*RTD-006	T6	FM DISCRIMINATOR TRANSFORMER	4.95
*RCN-046	C2010	18 mmf., silver mica	.25	*RTL-111	T5	I-F TRANSFORMER—2nd BC	2.10
*RCN-048	C33, 2014	1.5 mmf., ceramic	.20	*RTL-112	T2	I-F TRANSFORMER—1st FM	1.80
*RCN-057	C32	470 mmf., 300 v., silver mica	.45	*RTL-128	T4	I-F TRANSFORMER—1st BC	2.10
*RCT-055	C2001, 2002, 2003, 2004	FM tuning capacitor	3.50	*RTL-129	T3	I-F TRANSFORMER—2nd FM	2.25
*RCT-056	C1A, B, C, C3, 4	AM tuning condenser	4.50	*RTL-130	L3	I-F COIL—3rd FM	2.10
*RCW-026	C2007	0015 mf., ceramic	.25	*RTO-112	T7	AUDIO OUTPUT TRANSFORMER	2.25
*RCW-176	C6, 7	470 mmf., ceramic	.25				
*RCW-3014	C11, 12, 13, 14, 17, 26, 28, 30, 34, 35, 2013	.005 mf., hi-k	.25	MISCELLANEOUS ELECTRICAL			
*RCW-3016	C2012	20 mmf., ceramic	1.00	*RER-010	X1	SELENIUM RECTIFIER	\$1.60
*RCW-3065	C2009	22 mmf., ceramic	.60	*RJC-004		TERMINAL—For loop connections	.02
*RCY-016	C2	Trimmer, 2-20 mmf.	.35	*RJS-118		TUBE SOCKET—For V6	.35
*UCC-011	C8, 29	.05 mf., 200 v., paper	.20	*RJS-125		TUBE SOCKET—For V1, V3, V4, V5 and V7	.20
*UCC-035	C19	.001 mf., 600 v., paper	.35	*RJS-174		TUBE SOCKET—For V2	.40
*UCC-039	C24	.005 mf., 600 v., paper	.25	*RJC-182	P2	CONNECTOR—Phono input	.15
*UCC-040	C10, 21, 23	.01 mf., 600 v., paper	.25	*RJC-034	I1 F	INTERLOCK—Female terminal cap and insulator	.40
*UCC-041	C102	.02 mf., 600 v., paper	.25	*RSI-003	I2-M	INTERLOCK—Male	.15
*UCC-045	C27, 103	.05 mf., 600 v., paper	.30	*RSW-090	S1A, B, C, D, F	BAND SWITCH	2.25
*UCC-050	C101	.2 mf., 600 v., paper	.55	*RWL-022		POWER CORD SET	1.25
*UCG-004	C2006	10 mmf. silver mica	.25	*RWX-031		PILOT LIGHT SOCKET ASSEMBLY	.50
*UCG-016	C18	33 mmf., silver mica	.25	*IRS-527D		LOUDSPEAKER—5 1/4 in. Alnico PM	4.60
*UCG-020	C22, 36	47 mmf., silver mica	.35				
*UCG-1011	C9	20 mmf., silver mica	.30				
*UCG-1026	C2008	82 mmf., silver mica	.35				
*UCU-044	C20	470 mmf. mica	.30				
RESISTORS AND POTENTIOMETERS				MISCELLANEOUS MECHANICAL			
RRC-226	R104	VOLUME CONTROL—4 meg center-tapped, includes A-C switch with center "off" position	\$1.95	*RAC-099		COVER—For FM tuner	\$0.35
RRC-227	R102	TONE CONTROL—10,000 ohms	1.20	*RAD-049		BRACKET—Supports pilot light assembly	.05
*RRW-055	R26	1000 ohms, 2 w., w. w.	.45	*RDC-032		DIAL CORD—25 yards	2.50
*URD-009	R27	22 ohms, 1/2 w., carbon	.13	*RHC-018		CLIP—For mounting loop and back	.05
*URD-025	R1, 3, 5, 7	100 ohms, 1/2 w., carbon	.13	*RHC-038		CLIP—For mounting BC—R-F coil	.02
*URD-029	R25	150 ohms, 1/2 w., carbon	.13	*RHC-049		CLIP—For mounting 3rd FM—I-F coil	.05
*URD-031	R14	180 ohms, 1/2 w., carbon	.13	*RHC-053		CLIP—For mounting I-F transformers	.02
*URD-033	R2, 6, 30	220 ohms, 1/2 w., carbon	.13	*RHF-006		CHASSIS FOOT	.15
*URD-041	R8	470 ohms, 1/2 w., carbon	.13	*RHG-015		GROMMET—For mounting tuning gang	.05
*URD-053	R2001	1500 ohms, 1/2 w., carbon	.13	*RHH-004		SNAP FASTENER—For fastening back onto cabinet	.02
*URD-057	R4, 103	2200 ohms, 1/2 w., carbon	.13	*RHM-025		"C" TYPE RETAINING RING—On tone control shaft	.01
*URD-081	R15	22,000 ohms, 1/2 w., carbon	.13	*RHS-091		TUBE SHIELD—For V2	.01
*URD-083	R2002	27,000 ohms, 1/2 w., carbon	.13	*RMC-002		CLIP—For mounting BC oscillator coil	.05
*URD-085	R101	33,000 ohms, 1/2 w., carbon	.13	*RMS-130		SPRING—On large drum of FM tuner	.15
*URD-089	R9, 12, 31	47,000 ohms, 1/2 w., carbon	.13	*RMS-243		SPRING—Tension, for pointer drive cord	.10
*URD-097	R13, 21	100,000 ohms, 1/2 w., carbon	.13	*RMS-274		SPRING—For retaining FM drum assembly	.02
*URD-099	R19, 20	120,000 ohms, 1/2 w., carbon	.13	*RMU-080		TUNING SHAFT	.60
*URD-105	R11	220,000 ohms, 1/2 w., carbon	.13	*RMW-070		PULLEY	.05
*URD-113	R23, 24, 28, 29	470,000 ohms, 1/2 w., carbon	.13	*RMX-198		LINK ROLLER ASSEMBLY—Includes shoulder rivets	.60
*URD-129	R10	2.2 meg., 1/2 w., carbon	.13	*RMX-199		DRUM AND BUSHING ASSEMBLY—On FM tuner	.85
*URD-141	R22	6.8 meg., 1/2 w., carbon	.13				
*URD-145	R33	10 meg., 1/2 w., carbon	.13				
URF-013	R32	33 ohms, 2 w., carbon	.25				
COILS AND TRANSFORMERS				CABINET AND APPEARANCE ITEMS			
*RLB-031	L2003	COIL—R-F FM	\$0.15	RAB-219		LOOP AND BACK ASSEMBLY	\$2.60
*RLB-032	T8	COIL—R-F BC	1.50	*RAU-355		CABINET	8.50
*RLC-114	L2004	COIL—Oscillator, FM	.15	*RDE-080		ESCUTCHEON—Cabinet	1.90
*RLC-115	T1	COIL—Oscillator, BC	.90	*RDK-265		KNOB—Tuning	.25
*RLI-122	L4, 2002, 2005, 2006, 2007, 2008	CHOKE—2.2 uh	.25	*RDK-266		KNOB—Tone	.20
*RLI-124	L2001	CHOKE—R-F Plate, 1 uh	.80	*RDK-267		KNOB—Band	.25
				RDK-324		KNOB—Volume	.40
				*RDP-065		DIAL POINTER	.35
				RDS-124		DIAL SCALE	3.95

* Parts used on previous receivers.

PRICES ARE SUGGESTED LIST PRICES SUBJECT TO CHANGE WITHOUT NOTICE

442,443,444



UNLESS OTHERWISE NOTED
 CAPACITORS MORE THAN 1 = MMF.
 CAPACITORS LESS THAN 1 = MF.
 RESISTORS ARE 1/2 WATT. K=1000, M=1,000,000.
 SOCKET CONNECTIONS: PIN #8 ON EACH
 SOCKET IS A DUMMY PIN USED FOR
 A SPARE TERMINAL. A SMALL HOLE
 IN THE TUBE SOCKET BETWEEN PINS
 #1 & #8 IS USED TO KEY THESE PINS.
 ALL D.C. VOLTAGES MEASURED AT 117 VOLTS
 LINE ON A 20,000 OHMS PER VOLT METER.
 ALL VOLTAGES ARE D.C. UNLESS OTHERWISE NOTED.
 READINGS TAKEN BETWEEN TUBE PIN TERMINALS & B-.

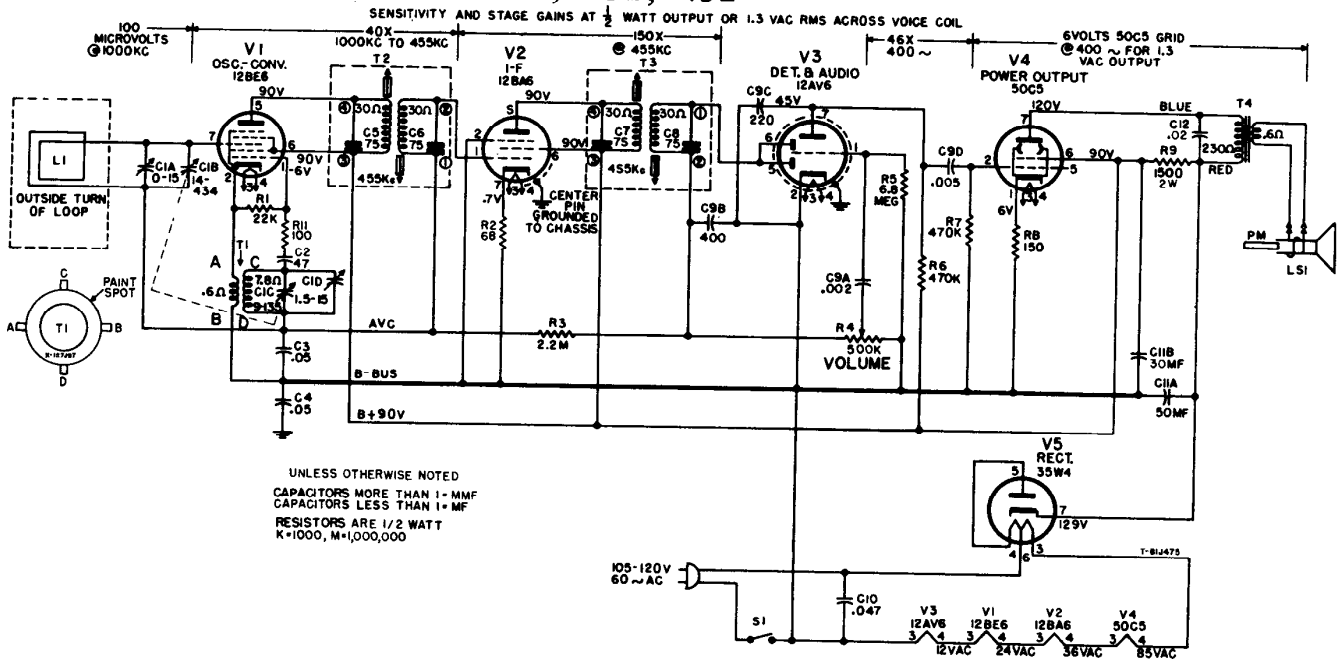
Schematic Diagram

REPLACEMENT PARTS LIST—MODELS 442, 443, 444

CAT. NO.	SYMBOL	DESCRIPTION	PRICE	CAT. NO.	DESCRIPTION	PRICE
CAPACITORS				MISCELLANEOUS ELECTRICAL (Cont'd)		
*RCE-200	C11A, B	50-30 mf., 150 v., electrolytic	\$2.10	*RJC-031	I-F CLIP—Dip solder contact and clip for I-F transformers, spring brass, connects pin 5-12BE-6, pins 1 and 5-12BA6	\$0.02
*RCN-050	C12	.022 mf., 600 v., paper molded	.35	*RJS-182	CONNECTOR—Phono, for 1/4 in. dia. pin	.15
*RCN-053	C10	.047 mf., ±20%, 600 v.	.35	RJX-031	PILOT LIGHT ASS'Y—Includes bayonet type socket for Mazda No. 44 pilot lamp with clip-on bracket	.40
RCT-076	C1A, B, C, D	Tuning capacitor, two-gang	3.55	ROP-027	SPEAKER—4-inch, 3.2 ohms, yoke rotated 90°	4.95
*RCW-3048	C9A, B, C, D	.002 mf., 400 mmf., 220 mmf., .005 mf., ceramic couplate	.90	*RWL-009	CORD—Power cord and plug, brown, 6 ft. long, Models 442, 444	.70
*RCW 3075	C2	47 mmf., ±20%, N2200 ceramic	.25	*RWL-016	CORD—Power cord and plug, ivory, 6 ft. long, Model 443	.75
*UCC-045	C3, 4	.05 mf., 400 v., paper	.30			
RESISTORS (CARBON) TOLERANCE ±10%				MISCELLANEOUS MECHANICAL		
*URD-007	R10	18 ohms, 1/2 w.	.13	RDC-032	DIAL CORD—Bulk quantity 25 yards	2.50
*URD-025	R2	100 ohms, 1/2 w.	.13	*RHC-024	CLIP—1/2 in., mounts C11A, B	.10
*URD-029	R8	150 ohms, 1/2 w.	.13	*RHC-061	CLIP—Holds Textolite sub-chassis	.10
*URD-081	R1	22,000 ohms, 1/2 w.	.13	*RHE-014	EYELET—Tube receptacle wafer mounting	.01
*URD-113	R6, 7	470,000 ohms, 1/2 w.	.13	*RHE-016	EYELET—I-F receptacle wafer mounting	.01
*URD-129	R3	2.2 megohms, 1/2 w.	.13	*OROMET	—For tuning capacitor shock mounting	.05
*URD-141	R5	6.8 megohms, 1/2 w.	.13	*GROMMET	—Two-piece strain relief for power cord	.15
*URF-053	R9	1500 ohms, 2 w.	.25	*RHJ-005	SPACER—Metal, for tuning capacitor shock mounting	.05
POTENTIOMETER				*RHM-073	CLIP—Idle pulley retainer on volume control	.02
RRC-290	R4, S1	VOLUME CONTROL AND SWITCH, one megohm.	2.60	*RHS-079	SHIELD—Flexible, 2 1/2 in. long, 1/4 in. diameter	.05
COILS & TRANSFORMERS				*RHS-108	LIGHT SHIELD—Dial light shield, black fiber tubing 1 3/4 in. long, 1/4 in. diameter	.05
*RLC-122	T1	COIL—Oscillator	1.00	*RHS-109	INSULATING SPACER—Black Textolite in chassis tube holes	.20
*RLL-055	L1	ANTENNA—Ferrite core, 300 uh inductance 7 in. long, 1/4 in. diameter	1.50	*RHS-110	SHIELD—Miniature tube shield, metal, 1 3/4 in. long for 12AV6	.15
RTL-143	T2	TRANSFORMER—I-F	1.80	*RHS-111	SHIELD POST—Tube pin shield, mounts wafer of tube receptacles spring brass, 9/16 in. long, 1/4 in. diameter	.03
RTL-163	T3	TRANSFORMER—I-F	1.70	*RII-084	ANTENNA COVER—Polystyrene, molded brown, 10 1/4 in. long, 3/4 in. wide	.60
RTO-128	T4	TRANSFORMER—Output	1.90	RII-090	SHIELD—Heat shield, fiber wafer, used on 50C5 tube socket	.05
				*RMS-118	SPRING—Dial cord tension spring	.10
				*RMW-070	IDLER PULLEY—On volume control shaft	.05
				*RMX-295	TUNING SHAFT & BUSHING ASSEMBLY	.40
MISCELLANEOUS ELECTRICAL				CABINET & APPEARANCE ITEMS		
*RII-081	WAFER	—Part of I-F transformer receptacle 1 1/8 in. x 1/4 in.	.05	RAB-221	BACK—Cabinet, back only, masonite 12 3/4 in. x 4 1/2 in.	.25
*RII-082	WAFER	—Part of tube receptacle, 1 1/2 in. dia.	.05	*RAG-033	GRILLE CLOTH—Cabinet grille cloth, dark maroon, includes chipboard mounting ring 3 7/8 in. diameter, Models 442 and 444	.30
*RII-088	BOARD	—Sub-chassis, bare, no hardware or parts	.60	*RAG-035	GRILLE CLOTH—Cabinet grille cloth, ivory; includes chipboard mounting ring 3 7/8 in. diameter, Model 443	.30
*RJC-004	TERMINAL	—Female speaker connector on audio output leads	.02	*RAU-385	CABINET—Plastic, mahogany, for Model 442	8.50
RJC-027	CONTACT	—Dip solder contact, includes tube pin clip for tube receptacles	.03	*RAU-386	CABINET—Plastic, ivory, for Model 443	8.50
*RJC-028	CONNECTOR	—Dip solder terminal only, used on RLC-122, and as common connector	.02	*RAU-387	CABINET—Plastic, red, for Model 444	8.50
*RJC-030	CLIP	—Dip solder contact and clip for I-F transformer, spring brass, connects pin 6-12BE6, pin 6-12BA6 and pin 6-12AV6	.02	RDG-008	DIAL BACKPLATE—Red, with white markers	.20
				*RDK-294	KNOB—Tuning, fawn color, Rich-Lo brass insert	.30
				RDK-354	KNOB—Phono-Off-Radio (Volume) fawn color, Rich-Lo brass insert, white lettering	.50
				RDP-082	DIAL POINTER	.90
				RDW-076	DIAL SCALE & WINDOW	.90
				RYN-017	MEDALLION—Dial beam, adhesive—metalized styrene, background gold	.30

* Used on previous receivers.

MODELS 450, 451, 452

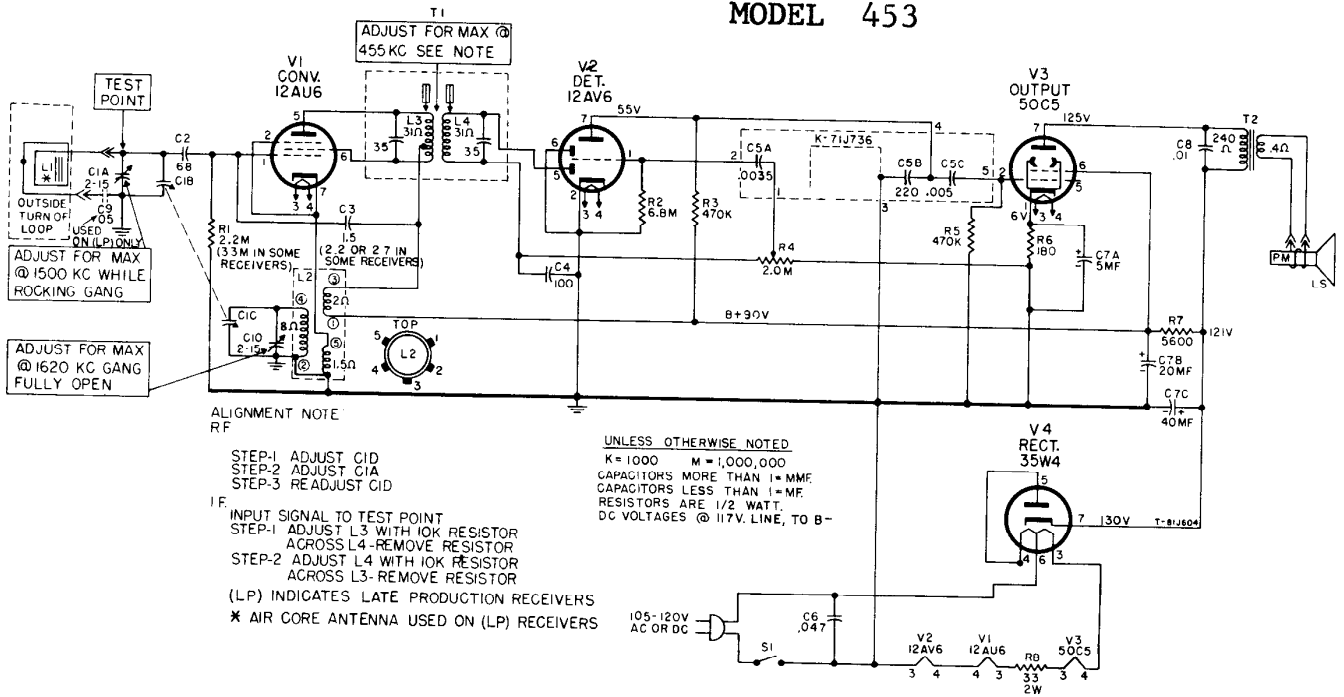


REPLACEMENT PARTS LIST—MODELS 450, 451, 452

CAT. NO.	SYMBOL	DESCRIPTION	UNIT PRICE	CAT. NO.	DESCRIPTION	UNIT PRICE
CAPACITORS				MISCELLANEOUS ELECTRICAL		
*RCE-160	C11A, B	50-50 mf., 150 V., cardboard tubular electrolytic	\$1.85	R11-081	WAFER—Part of i-f transformer receptacle	\$0.05
RCN-050	C12	.02 mf., 600 V., paper, molded	.35	R11-082	WAFER—Part of tube receptacle	.05
*RCN-053	C10	.047 mf., paper, molded	.35	*RJC-004	CONNECTOR—Loudspeaker connector, female	.02
RCT-066	C1A, B, C, D	Tuning, two-gang	4.75	RJC-027	CONNECTOR—Tube pin connector, part of tube receptacle	.03
*RCW-3048	C9A, B, C, D	.002 mf., 400 mmf., 220 mmf., 005 mf., ceramic couplate	.90	RJC-028	CONNECTOR—Oscillator coil receptacle	.02
*RCW-3075	C2	47 mmf., $\pm 20\%$, N2200, ceramic	.25	RJC-029	WIRE CONNECTOR—Push-on type terminal for i-f connecting lead	.05
*UCC-045	C3, 4	.05 mf., 600 V., paper	.30	*RJC-030	I-F WAFER CONNECTOR	.02
RESISTORS				RJC-031	I-F WAFER CONNECTOR	.02
RRC-205	R4, S1	500K ohms, volume control and switch	1.60	*RWL-025	CORD—Power cord and plug, brown, for Model 452	.75
*URD-021	R2	68 ohms $\pm 10\%$.13	*RWL-026	CORD—Power cord and plug, ivory, for Models 450, 451	.75
*URD-025	R10	100 ohms $\pm 10\%$.13	*S403D7	LOUDSPEAKER—4-inch PM	4.30
*URD-029	R8	150 ohms $\pm 10\%$, $\frac{1}{4}$ W., carbon	.13	MISCELLANEOUS MECHANICAL		
*URD-081	R1	22K ohms, $\pm 10\%$, $\frac{1}{4}$ W., carbon	.13	*RHC-024	CLIP— $\frac{1}{2}$ inch electrolytic mounting clip	.10
*URD-113	R6, 7	470K ohms, $\pm 10\%$, $\frac{1}{4}$ W., carbon	.13	RHC-061	CLIP—Holds Textolite sub-chassis	.10
*URD-129	R3	2.2 megohms, $\pm 10\%$, $\frac{1}{4}$ W., carbon	.13	RHC-081	TUNING KNOB RETAINING CLIP	
*URD-141	R5	6.8 megohms, $\frac{1}{4}$ W., carbon	.13	RHE-014	EYELET—Tube receptacle mounting	.01
*URF-053	R9	1500 ohms, $\pm 10\%$, 2 W., carbon	.25	RHE-016	EYELET—I-F receptacle wafer mounting	.01
COIL AND TRANSFORMERS				*RHG-018	GROMMET—Rubber grommet for tuning capacitor shock mounting	.05
*RLC-122	T1	COIL—Oscillator coil	1.00	*RHI-017	STRAIN RELIEF—Two-piece strain relief for power cord entrance in chassis	.15
*RTL-143	T2	TRANSFORMER—1st i-f	1.80	*RHJ-005	SPACER—In grommet for shock mounting tuning capacitor	.05
RTL-163	T3	TRANSFORMER—2nd i-f	1.70	*RHS-109	SHIELD—Insulating spacer, black Textolite, in chassis tube holes	.20
*RTO-128	T4	TRANSFORMER—Audio output	2.10	RHS-110	SHIELD—Tube shield for 12AV6 tube	.15
				RMS-272	RING—Compression ring used with tuning control knob	.05
				CABINETS AND APPEARANCE ITEMS		
* Used on previous receivers				RAB-205	CABINET BACK—Loop and back	1.35
** Suitable replacement				RAG-035	GRILLE CLOTH—White, for Model 451	.30
				RAG-072	GRILLE CLOTH—Green, for Model 450	.35
				RAG-073	GRILLE CLOTH—Red, for Model 452	.35
				RAU-422	CABINET—Green, with dial scale, for Model 450	6.50
				RAU-423	CABINET—Red, with dial scale, for Model 452	6.50
				RAU-424	CABINET—Ivory, with dial scale, for Model 451	6.50
				RDK-295	KNOB—Volume-Off-On control, ivory, for Models 450, 452	.25
				RDK-444	KNOB—Tuning, ivory, for Models 450, 452	.40
				RDK-445	KNOB—Tuning, mahogany, for Model 451	.40
				RDK-446	KNOB—Volume-Off-On control, mahogany—Model 451	.20

PRICES ARE SUGGESTED LIST PRICES AND SUBJECT TO CHANGE WITHOUT NOTICE

MODEL 453

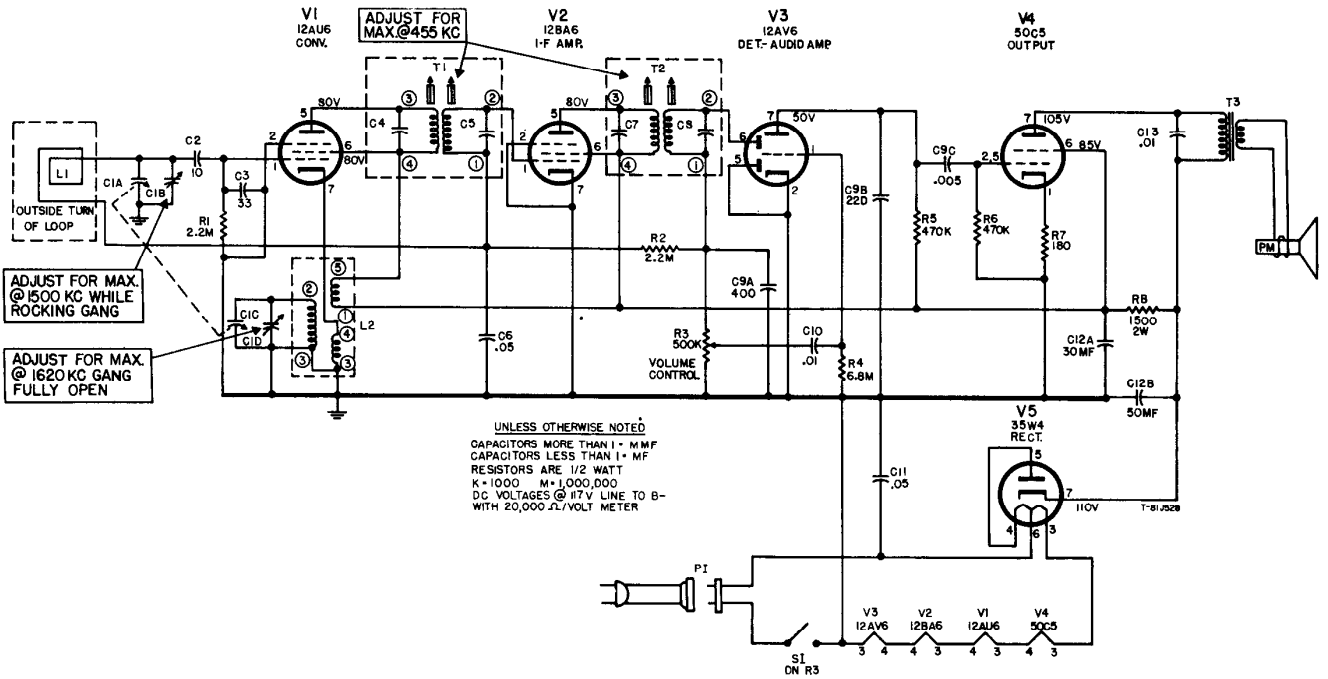


REPLACEMENT PARTS LIST 453

CAT. NO.	SYMBOL	DESCRIPTION	PRICE	CAT. NO.	SYMBOL	DESCRIPTION	PRICE
CAPACITORS				COILS AND TRANSFORMERS			
n-RCE-216	C7A, B, C	5 mf., 25 V, 20 mf., 40 mf., 150 V, electrolytic.....	\$2.10	n-RLC-136	L2	COIL—Oscillator.....	\$1.00
RCN-048	C3	1.5 mmf., 20%, 500 V, ceramic.....	.20	RLL-064	L1	COIL—Antenna (E.P.).....	1.00
RCN-053	C6	.047 mf., +40 -10%, 600 V, molded.....	.35	n-RTL-184	T1	TRANSFORMER—I.F.....	1.50
RCT-093	C1A, B, C, D	Tuning—Two gang (E.P.).....	3.40	RTO-176	T2	TRANSFORMER—Output.....	2.05
n-RTC-097	C1A, B, C, D	Tuning—Two gang (L.P.).....		MISCELLANEOUS			
RCW-3036	C5A, B, C	Bullplate—.0035 mf., 220 mmf., .005 mf.....	.80	n-RHC-103		CLAMP—Plastic for antenna mounting (E.P.).....	.15
RCW-3079	C4	100 mmf., 20%, 500 V, ceramic.....	.25	RJJ-010		A-C INTERLOCK—Receptacle for power cord.....	.20
RCW-3186	C8	.01 mf., +40 -10%, 400 V.....	.30	RJS-221		SOCKET—Tube socket, 7 pin for printed circuit.....	.25
UCG-1024	C2	68 mmf., 10%, 500 V.....	.35	RWL-027		POWER CORD—6 ft., brown.....	1.20
RESISTORS (CARBON 10%)				n-ROP-035		SPEAKER—4-inch, PM.....	3.25
n-RRC-334	R4, S1	VOLUME CONTROL & SWITCH 2 megohms.....	1.35	CABINET AND APPEARANCE ITEMS			
The following resistors are common 10% carbon types readily obtainable from any Radio Parts Jobber and are therefore not listed by catalog numbers. R1 2.2 megohms, ½ W (3.3 megohms some receivers) R2 6.8 megohms, ½ W R3, 5 470K, ½ W R6 180 ohms, ½ W R7 5600 ohms, ½ W R8 33 ohms, 2 W				RAB-271		LOOP & BACK ASS'Y (L.P.).....	
				RAB-282		CABINET BACK (E.P.).....	.20
				n-RAU-450		CABINET—Plastic, mahogany.....	4.50
				RDK-295		KNOB—Ivory, for volume control.....	.25
				n-RDK-514		KNOB—Ivory, for tuning control.....	.60

PRICES ARE SUGGESTED LIST PRICES AND SUBJECT TO CHANGE WITHOUT NOTICE
 "n"—DENOTES PARTS NOT PREVIOUSLY CATALOGED

MODEL 455, 455A, 456, 457



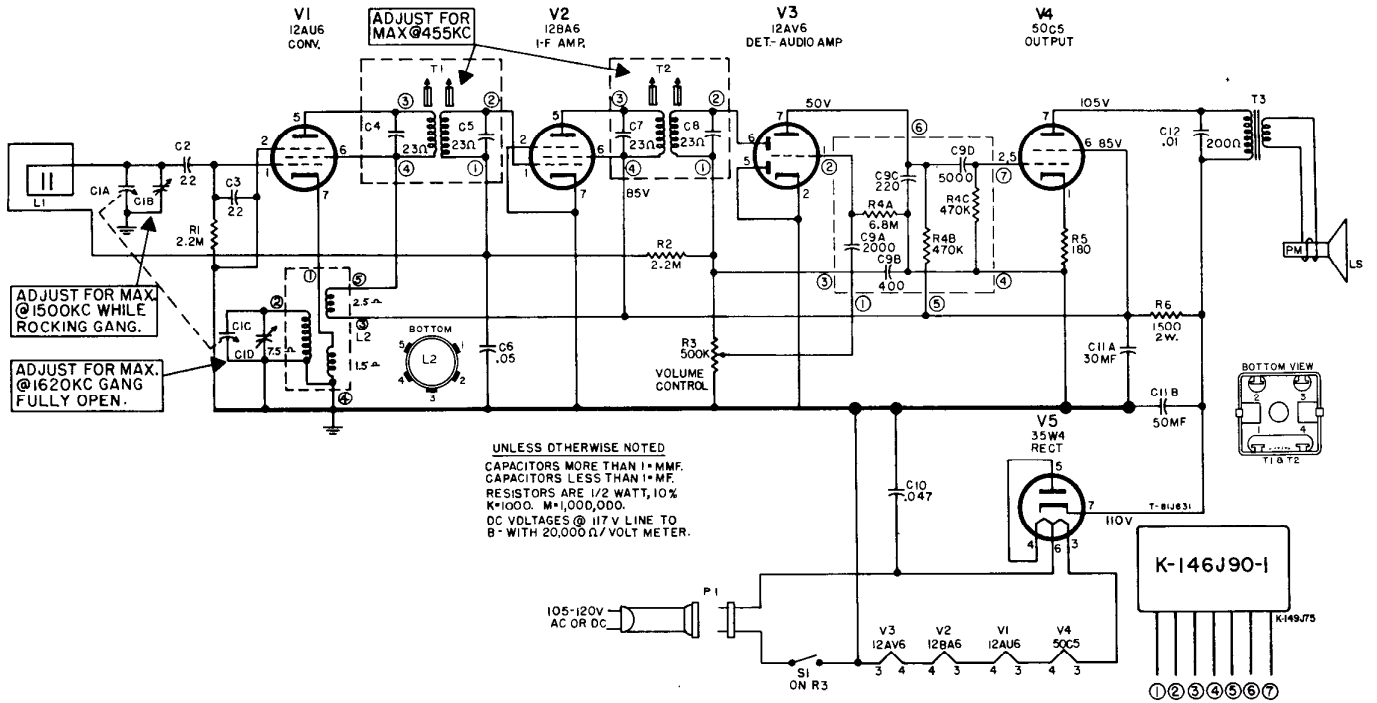
REPLACEMENT PARTS LIST 455,455A,456,457

CAT. NO.	SYMBOL	DESCRIPTION	UNIT PRICE	CAT. NO.	DESCRIPTION	UNIT PRICE
CAPACITORS				MISCELLANEOUS ELECTRICAL		
RCC-078	C11	Paper, .05 mfd, 400 v	\$0.40	RHS-110	SHIELD—Tube shield for V3	\$0.15
RCC-086	C6	Paper, .05 mfd, 200 v	.30	RJJ-010	INTERLOCK	.20
N-RCE-207	C12A, C12B	Electrolytic; 30 mfd., 150 v, 50 mfd., 150 v	1.90	N-RJS-221	SOCKET—7-pin tube socket	.25
N-RCT-083	C1, A, B, C	Tuning	3.65	N-RJS-222	SOCKET—7-pin tube socket with ground strap for V3	.25
RCW-3054	C10, 13	Ceramic disc, .01 mfd.	.35	RWL-027	POWERCORD—with interlock	1.20
RCW-3127	C2	Ceramic, 10 mmfd.	.25	S400D-7	SPEAKER—4" P.M. loudspeaker	4.60
RCW-3177	C9A, B, C	Bullplate, 400 mmf., 220 mmf. & 5000 mmf.	.55	CABINET & APPEARANCE ITEMS		
RCW-3178	C3	Ceramic, 33 mmfd., ±20%	.15	N-RAB-255	BACK—Cabinet back and loop assembly	1.50
RESISTORS				N-RAB-271	BACK—Cabinet back and loop assembly (455A, 456, 457)	1.50
N-RRC-310	R3, S1	Potentiometer, 500 K volume control with switch	1.50	N-RAU-428	CABINET—Dark Brown for Models 455 and 455A	6.50
N-URD-031	R7	180 ohms, 1/2 watt carbon	.13	N-RAU-444	CABINET—Ivory for Model 456	6.50
URD-113	R5, R6	470 K ohms, 1/2 watt carbon	.13	N-RAU-445	CABINET—Light Green for Model 457	6.50
URD-129	R1, R2	2.2 megohm, 1/2 watt carbon	.13	N-RAU-449	CABINET—Dark Brown, for Model 455A	6.50
URD-141	R4	6.8 megohm, 1/2 watt carbon	.13	RDK-357	KNOB—Volume control, Dark Brown, for Model 456	.20
URF-053	R8	1500 ohms, 2 watt carbon	.25	N-RDK-465	KNOB—Tuning knob, Ivory, for Models 455 and 455A	1.40
COILS & TRANSFORMERS				N-RDK-466	KNOB—Volume control, Ivory, for Models 455 and 455A	.20
N-RLC-133	L2	Coil—Oscillator Coil	1.10	N-RDK-504	KNOB—Tuning knob, Dark Brown, for Model 456	1.40
N-RTL-174	T1, T2	Transformer—I.F. trans.	1.50	N-RDK-505	KNOB—Tuning knob, Dark Green, for Model 457	1.40
N-RTO-164	T3	Transformer—Output trans.	2.00	N-RDK-506	KNOB—Volume Control, Dark Green, for Model 457	.20
				N-RMS-356	CLIP—To captivate tuning knob on cabinet	.05

N—Parts not previously catalogued.

PRICES ARE SUGGESTED LIST PRICES AND SUBJECT TO CHANGE WITHOUT NOTICE

455S, 456S, 457S



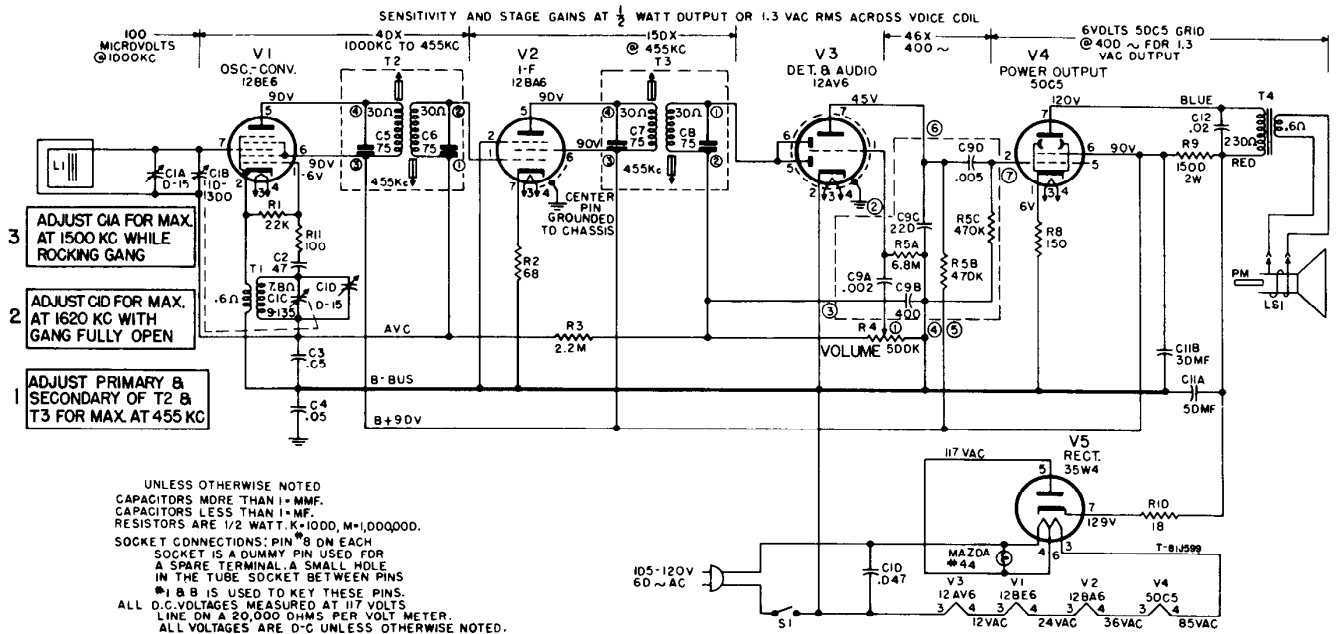
REPLACEMENT PARTS LIST 455S, 456S, 457S

CAT. NO.	SYM-BOL	DESCRIPTION	PRICE	CAT. NO.	DESCRIPTION	PRICE
CAPACITORS						
RCC-086	C6	.05 mfd., @ 200 v, paper	\$0.30	RHC-060	CLAMP—Plastic clamp (antenna)	\$0.15
RCE-207	C11A, B	Electrolytic, 30 mfd., 50 mfd., @ 150 v.	1.90	RHS-110	SHIELD—Tube shield for V-3	.15
RCN-053	C10	.047 mfd., @ 600 v, molded	.35	RHS-161	SHIELD—Flat, mounted on V-2 socket center pin	.10
RCT-093	C1A, B, C, D	Tuning gang	3.40	RHW-025	WASHER—Flat washer	.20
RCW-3186	C12	.01 mfd., @ 450 v, cer.	.30	RJJ-010	RECEPTACLE—Power cord receptacle	.25
RCW-3196	C2, 3	22 mmf., @ 500 v, cer.	.20	RJS-221	SOCKET—Tube socket	.25
RCW-3207	C9A, B, C, D, R4A, B, C	Coupling network	1.00	RJS-222	SOCKET—Tube socket with ground clip for V-3	.25
RESISTORS						
RRC-310	R3	VOLUME CONTROL with switch, 500 K ohms	1.50	n-RMS-374	CLIP—Ground clip for molded socket	.02
URD-031	R5	180 ohms, ±10%, ½ w. car.	.13	RWL-027	POWER CORD—With interlock	1.20
URD-129	R1, R2	2.2 megohm, ±10%, ½ w. car.	.13	S-400D7	LOUDSPEAKER—4" loudspeaker, P.M.	4.60
URF-053	R6	1500 ohms, ±10%, 2 w. car.	.25	CABINETS & APPEARANCE ITEMS		
COILS & TRANSFORMERS						
RLC-135	L2	COIL—Oscillator coil	1.00	n-RAB-282	BACK—Cabinet back	.20
RLL-064	L1	COIL—Iron core loop antenna	1.00	RAU-444	CABINET—Ivory for Model 456S	6.50
RTL-183	T1, 2	TRANS.—I-F trans.	1.65	RAU-445	CABINET—Light Green, Model 457S	6.50
RTO-176	T3	TRANS.—Output trans.	2.05	RAU-449	CABINET—Dark Brown, Model 455S	6.50
				RDK-357	KNOB—Vol. control, Dark Brown, 456S	.20
				RDK-465	KNOB—Tuning knob, Fawn, 455S	1.40
				RDK-466	KNOB—Vol. control, Fawn, 455S	.20
				RDK-504	KNOB—Tuning knob, Dark Brown, 456S	1.40
				RDK-505	KNOB—Tuning knob, Dark Green, 457S	1.40
				RDK-506	KNOB—Vol. control, Dark Green, 457S	.20
				RMS-356	CLIP—To captivate tuning knob on cabinet	.05

PRICES ARE SUGGESTED LIST PRICES AND SUBJECT TO CHANGE WITHOUT NOTICE.

"m"—Parts not previously catalogued.

MODELS 465, 466, 467

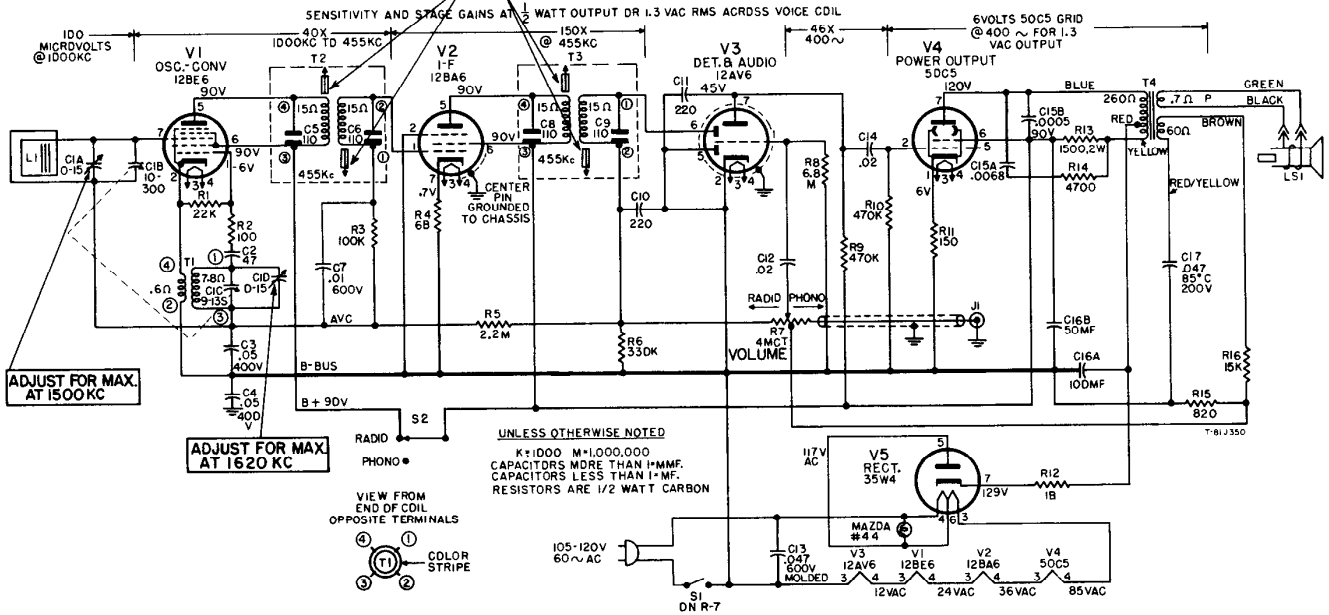


REPLACEMENT PARTS LIST—MODELS 465, 466, 467

CAT. NO.	SYMBOL	DESCRIPTION	PRICE	CAT. NO.	DESCRIPTION	PRICE
CAPACITORS				MISCELLANEOUS ELECTRICAL (Cont'd)		
RCE-200	C11A, B	50-30 mf., 150 v., electrolytic . . .	\$2.10	ROP-027	SPEAKER—4-inch, 3.2 ohms, yoke rotated 90 deg. . .	\$4.95
RCN-050	C12	.022 mf., 600 v., paper molded35	RWL-009	CORD—Power cord and plug, brown, 6 ft long, 46570
RCN-053	C10	.047 mf., ±20%, 600 v. . .	.35	RWL-016	CORD—Power cord and plug, ivory, 6 ft long, 46675
RCT-076	C1A, B, C, D	Tuning capacitor, two-gang . . .	3.55	RWL-031	CORD—Power cord and plug, gray, 6 ft long, 46775
RCW-3048	C9A, B, C, D	.002 mf., 400 mmf., 220 mmf., .005 mf., ceramic couplate90	MISCELLANEOUS MECHANICAL		
RCW-3075	C2	47 mmf., ±20%, N2200 ceramic25	RDC-032	DIAL CORD—Bulk quantity 25 yards . . .	2.50
RCW-3207	C9A, B, C, D	Audio coupling network . . .	1.00	RDM-048	GUIDE POST—For dial cord05
UCC-045	C3, 4	.05 mf., 400 v., paper30	RHC-024	CLIP— $\frac{1}{8}$ in. mounts C11A, B10
RESISTORS (CARBON, ±10%)				RHC-080	CLIP—Holds Textolite sub-chassis10
URD-007	R10	18 ohms, $\frac{1}{2}$ watt13	RHE-014	EYELET—Tube receptacle wafer mounting01
URD-021	R2	68 ohms, $\frac{1}{2}$ watt13	RHE-016	EYELET—I-f receptacle wafer mounting01
URD-025	R11	100 ohms, $\frac{1}{2}$ watt13	RHI-017	GROMMET—Two-piece strain relief for power cord15
URD-029	R8	150 ohms, $\frac{1}{2}$ watt13	RHS-084	SCREW—Grille and speaker screw05
URD-081	R1	22,000 ohms, $\frac{1}{2}$ watt13	RHS-108	LIGHT SHIELD—Dial light shield, black fiber tubing $\frac{1}{8}$ in. long, $\frac{1}{8}$ in. diameter05
URD-129	R3	2.2 megohms, $\frac{1}{2}$ watt13	RHS-109	INSULATING SPACER—Black Textolite in chassis tube holes20
URF-053	R9	1500 ohms, 2 watts25	RHS-110	SHIELD—Miniature tube shield, metal, $1\frac{3}{4}$ in. long for 12AV615
POTENTIOMETER				RHS-118	SHIELD POST—Tube pin shield05
n-RRC-329	R4, S1	VOLUME CONTROL AND SWITCH—500,000 ohms . . .	1.65	RII-084	ANTENNA COVER—Polystyrene, molded brown, $10\frac{1}{4}$ in. long, $\frac{3}{4}$ in. wide60
COILS AND TRANSFORMERS				RII-090	SHIELD—Heat shield, fiber wafer, used on 50C5 tube socket05
RLC-122	T1	COIL—Oscillator . . .	1.00	RMS-118	SPRING—Dial cord tension spring10
RLL-055	L1	ANTENNA—Ferrite core, 300 uh inductance 7 in. long, $\frac{1}{4}$ in. diameter . . .	1.50	n-RMX-318	TUNING SHAFT AND BUSHING ASSEMBLY40
RTL-163	T2, 3	TRANSFORMER—I-f . . .	1.70	CABINETS AND APPEARANCE ITEMS		
RTO-128	T4	TRANSFORMER—Output . . .	1.90	RAB-221	BACK—Masonite cabinet back without antenna $12\frac{3}{4}$ in. x $4\frac{1}{2}$ in. . .	.25
MISCELLANEOUS ELECTRICAL				RAG-033	GRILLE CLOTH—Maroon grille cloth with chipboard mounting ring $3\frac{3}{4}$ in. diameter for Model 46530
REP-002	BOARD	Sub-chassis with stamped circuit. No hardware, pins or parts included . . .	\$1.30	RAG-035	GRILLE CLOTH—White grille cloth with chipboard mounting ring $3\frac{3}{4}$ in. diameter for Model 46630
RII-081	WAFER	Part of i-f transformer receptacle $\frac{1}{8}$ in. x $\frac{1}{8}$ in. . .	.05	n-RAG-083	GRILLE CLOTH—Gray grille cloth with chipboard mounting ring $3\frac{3}{4}$ in. diameter for Model 46730
RII-082	WAFER	Part of tube receptacle $1\frac{1}{2}$ in. dia. . .	.05	RAU-385	CABINET—Mahogany plastic for Model 465 . . .	8.50
RJC-004	TERMINAL	Female speaker connector on audio output leads02	RAU-386	CABINET—Ivory plastic for Model 466 . . .	8.50
RJC-027	CONTACT	Dip solder contact, includes tube pin clip for tube receptacles03	n-RAU-437	CABINET—Gray plastic for Model 467 . . .	8.50
RJC-028	CONNECTOR	Dip solder terminal only, used on RLC-122 and as common connector02	n-RDG-011	DIAL BACKPLATE—Red with gold markers55
RJC-030	CLIP	Dip solder contact and clip for i-f transformer, spring brass, connects pin 6-12BE6, pin 6-12BA6 and pin 6-12AV602	RDK-425	KNOB—Clear and gold plastic knob for volume and tuning35
RJC-031	I-F CLIP	Dip solder contact and clip for i-f transformers, spring brass, connects pin 5-12BE6, pins 1 and 5-12BA602	RDP-082	DIAL POINTER50
RJX-031	PILOT LIGHT ASS'Y	Includes bayonet type socket for Mazda No. 44 pilot lamp with clip-on bracket40	n-RDS-134	DIAL SCALE AND WINDOW—For Models 465 and 467 . . .	2.00
				n-RDS-135	DIAL SCALE AND WINDOW—For Model 466 . . .	2.00
				RYN-017	MEDALLION — "Dial Beam," adhesive-metalized styrene gold background30

MODELS 470, 471, 472

ADJUST FOR MAX. AT 455 KC



REPLACEMENT PARTS LIST—MODELS 470, 471 AND 472

CAT. NO.	SYMBOL	DESCRIPTION	PRICE	CAT. NO.	SYMBOL	DESCRIPTION	PRICE
CAPACITORS				MISCELLANEOUS ELECTRICAL (Cont'd)			
RCC-129	C12, 14	.02mf., +40 -10%, 400V, 85C	\$0.35	RJC-004		TERMINAL—Female speaker connector	\$0.02
RCE-166	C16A, B	100-50mf., @150V, electrolytic	2.60	RJC-Q27		CONTACT—Dip solder contact, includes tube pin clip for tube receptacle	.03
n-RCT-085	C1A, B, C, D	Tuning capacitor, two gang	3.95	RJC-028		CONNECTOR—Dip solder terminal only, used on RLC-122	.02
RCW-3075	C2	47mmf., ceramic	.25	RJC-030		CLIP—Dip solder contact and clip for i-f trans., spring brass, connects pin 6-12BE6, 12BA6 and 12AV6	.02
RCW-3104	C15A, B	Bullplate—.0068mf., .005mf.	.50	RJC-031		CLIP—Dip solder contact and clip for i-f trans., spring brass, connects pin 5-12BE6, pins 1 and 5-12BA6	.02
n-RCW-3195	C10, 11	220mmf., ceramic	.25	RJS-182		CONNECTOR—Phono input	.15
<p>The following capacitors not listed by catalog number are common items and are readily obtainable from any Radio Parts Jobber.</p>				<p>RJS-182 SPEAKER—5 3/4" PM; 3.2 ohms</p>			
	C3, 4	.05 mf., 400V		ROP-030		SWITCH—Radio-phonos, S2	6.25
	C7	.01 mf., 600V		RSS-009		CORD—Power cord and plug, brown, 6 ft. long, Model 470 and 472	.30
	C13	.047 mf., 600V, molded		RWL-009		CORD—Power cord & plug, ivory, 6 ft. long, Model 471	.70
	C17	.047 mf., 200V, 85° C		RWL-016		CORD—Power cord & plug, ivory, 6 ft. long, Model 471	.75
RESISTORS				MISCELLANEOUS MECHANICAL			
<p>The following resistors are common 10% carbon types which are readily obtainable from any Radio Parts Jobber and are therefore not listed by catalog number.</p>				<p>RHC-024 CLIP—3/8" mounts C16</p>			
	R1	22K, 1/2 W		RHC-080		CLIP—Holds sub-chassis	\$0.10
	R2	100 ohms, 1/2 W		RHE-014		EYELET—Tube recept. wafer mtg.	.10
	R3	100K, 1/2 W		RHE-016		EYELET—I-F receptacle wafer mtg.	.01
	R4	68 ohms, 1/2 W		RHL-017		GROMMET—Two piece strain relief for power cord	.01
	R5	2.2 megohms, 1/2 W		RHS-084		SCREW—#6 self-tapping 3/8" for grille	.15
	R6	330K, 1/2 W		RHS-109		SHIELD—Pin in chassis tube holes	.02
	R8	6.8 megohms, 1/2 W		RHS-110		SHIELD—Miniature tube shield, metal, 1 1/4" long for 12AV6	.20
	R9, 10	470K, 1/2 W		RHS-118		SHIELD—Tube pin shield	.15
	R11	150 ohms, 1/2 W		RHS-127		SHIELD—For pilot light	.05
	R12	18 ohms, 1/2 W		RHS-138		SCREW—Self-tapping #4, 1/4" long	.05
	R13	1500 ohms, 2W		RHW-055		WASHER—Felt, for tuning knob	.03
	R14	4700 ohms, 1/2 W		n-RII-118		LOOP SUPPORT—L.P. receivers	.05
	R15	820 ohms, 1/2 W		RII-084		ANTENNA LOOP COVER—Polystyrene, molded brown, 10 1/4" lg. 3/4" wd. (E.P. receivers)	.60
	R16	15K, 1/2 W		RII-090		SHIELD—Heat shield, fiber wafer used on 50CS tube socket	.05
POTENTIOMETER				<p>RMS-329 COMPRESSION RING—For tuning knob</p>			
n-RRC-326	R7, S1	VOLUME CONTROL & SWITCH—4 megohm, center tapped	\$1.75	CABINET AND APPEARANCE ITEMS			
COILS & TRANSFORMERS				<p>RAB-242 BACK—Cabinet back, masonite</p>			
RLC-122	T1	COIL—Oscillator	\$1.00	RAG-071		GRILLE—Gold color, Model 470, 471	\$0.30
RLL-055	L1 (E.P.)	ANTENNA—Ferrite core, 300 uh inductance, 7" long, 1/4" diameter	1.50	n-RAG-084		GRILLE—Antique white, Model 472	1.45
RLL-067	L1	ANTENNA COIL—for L.P. receivers		n-RAU-438		CABINET—Plastic, mahogany, 470	.95
RTL-143	T2, 3	TRANSFORMER—I-F	1.80	n-RAU-439		CABINET—Plastic, ivory, Model 471	7.00
RTO-157	T4	TRANSFORMER—Output	3.35	n-RAU-440		CABINET—Plastic red, Model 472	7.00
MISCELLANEOUS ELECTRICAL				<p>n-RDK-425 KNOB—Volume, clear and gold</p>			
RII-081	WAFER	Part of I-F trans. recept. 15/16 x 3/8"	\$0.05	n-RDK-497		KNOB—Tuning, ivory, Model 470	.35
RII-082	WAFER	Part of tube receptacle, 1 1/32" diameter	.05	n-RDK-498		KNOB—Tuning, maroon, Model 471	1.15
RII-088	BOARD	Sub-chassis, bare	.60	n-RDK-499		KNOB—Tuning, antique white, 472	1.05
				RYN-027		MEDALLION	1.05

"n" DENOTES NEW ITEMS NOT PREVIOUSLY CATALOGED

PRICES ARE SUGGESTED LIST PRICES AND SUBJECT TO CHANGE WITHOUT NOTICE

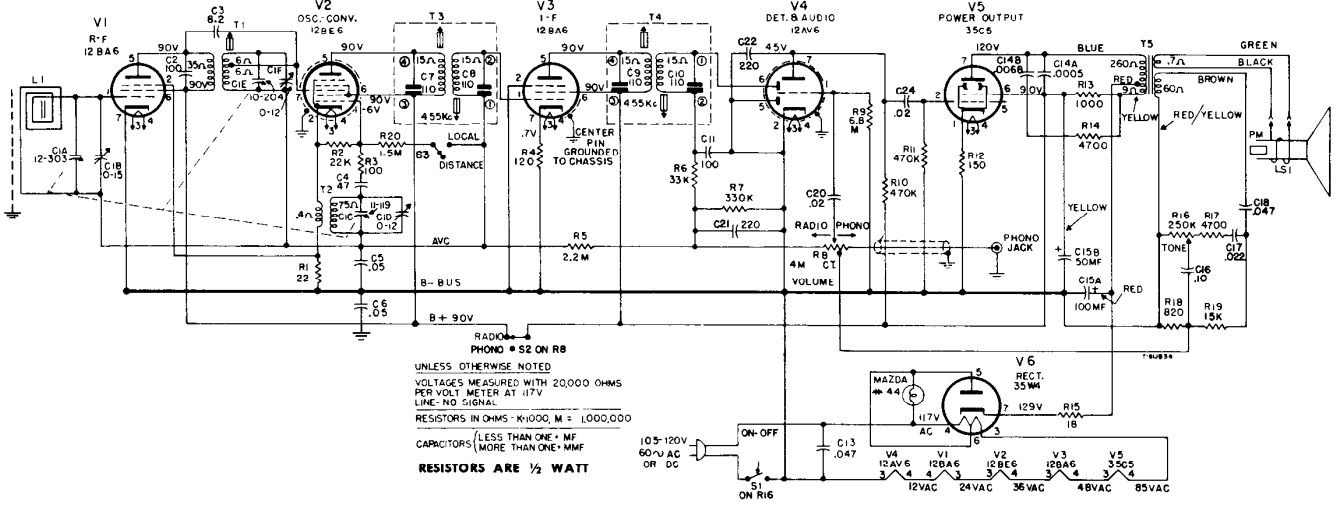
**MODELS 475, 476, 477
REPLACEMENT PARTS LIST**

CAT. NO.	SYMBOL	DESCRIPTION	PRICE	CAT. NO.	DESCRIPTION	PRICE
CAPACITORS				MISCELLANEOUS ELECTRICAL (CONT'D)		
RCC-126	C17, 18	.047 mfd., @ 200 V; paper.	\$0.35	R11-088	BOARD—Sub-chassis board (less all hardware).	\$0.60
RCC-129	C14, 12	.02 mfd., @ 400 V; paper.	.35	RJC-004	TERMINAL—Pin terminal (speaker).	.02
RCE-177	C16A, B	100 mfd. -50 mfd., @ 150 V d-c, electrolytic.	2.50	RJC-027	CONTACT—Dip solder contact, includes tube pin clip for tube socket.	.03
RCN-053	C13	.047 mfd., @ 600 V; molded.	.35	RJC-028	TERMINAL—Dip solder terminal used on RLC-122.	.02
n-RCT-089	C1A, B, C, D	Tuning gang.	.25	RJS-182	CONNECTOR—Phono input connector.	.15
RCW-3075	C2	47 mmf., ceramic.	.25	RSS-009	SWITCH—(S2) Phono-radio switch.	.30
RCW-3104	C15A, B	Bullplate, 6800 mmf., and 500 mmf.	.50	RSW-067	SWITCH—(S3) Tone control (SPDT).	.75
n-RCW-3195	C10, 11	220 mmf., ceramic.	.30	RWX-040	SOCKET—Pilot light socket ass'y.	.45
UCC-045	C3, 4	.05 mfd., @ 600 V; paper.	.30	S-625D7	SPEAKER—6-in. PM Loudspeaker.	5.08
RESISTORS				MISCELLANEOUS MECHANICAL		
n-RRC-328	R7	VOLUME CONTROL—With push-pull switch, 2 meg., 2-way	1.80	RDC-032	DIAL CORD—Bulk dial cord (25 yds.)	2.50
URD-007	R12	18 ohms, ±10%, ½ w., car.	.13	RHC-024	CLIP—Clip for electro. capacitor.	.10
URD-021	R4	68 ohms, ±10%, ½ w., car.	.13	RHC-080	CLIP—Sub-chassis spring clip.	.05
URD-025	R2	100 ohms, ±10%, ½ w., carbon	.13	RHE-014	EYELET—Tube socket eyelet.	.01
URD-029	R11	150 ohms, ±10%, ½ w., carbon	.13	RHE-016	EYELET—I-F socket eyelet.	.01
URD-047	R15	820 ohms, ±10%, ½ w., car.	.13	RHI-017	STRAIN RELIEF—For power cord.	.15
URD-065	R14, 17	4700 ohms, ±10%, ½ w., carbon.	.13	RHS-084	SCREW—For speaker and grille.	.05
URD-077	R16	15K ohms, ±10%, ½ w., carbon	.13	RHS-109	SHIELD—Pin shield in chassis tube holes.	.20
URD-081	R1	22K ohms, ±10%, ½ w., carbon	.13	RHS-118	SHIELD—Tube pin shield.	.05
URD-109	R6	330K ohms, ±10%, ½ w., car.	.13	RHS-138	SCREW—Self tap, No. 4 x ¼ in.	.03
URD-113	R9, 10	470K ohms, ±10%, ½ w., car.	.13	R11-090	SHIELD—Heat shield.	.05
URD-129	R5	2.2 meg., ±10%, ½ w., car.	.13	RJC-030	CLIP—I-F terminal clip, connects pin 6—12BE6; pin 6—12BA6; pin 6—12AV6.	.02
URD-141	R8	6.8 meg., ±10%, ½ w., car.	.13	RJC-031	CLIP—I-F terminal clip, connects pin 5—12BE6, pins 1 and 5—12BA6.	.02
URF-053	R13	1500 ohms, ±10%, 2 watt, carbon.	.25	RMS-118	SPRING—Spring for tuning drum.	.10
COILS AND TRANSFORMERS				n-RMS-366	RING—Compression ring.	.03
RLC-122	T1	COIL—Oscillator coil.	1.00	n-RMX-317	SHAFT—Tuning shaft assembly.	.40
RLL-055	L1 (Early)	COIL—Iron core loop antenna	1.50	CABINETS AND APPEARANCE ITEMS		
RTL-143	T2, 3	TRANSFORMER—I-F transformer.	1.80	n-RAB-268	BACK—Cabinet back.	.40
RTO-145	T4	TRANSFORMER—Output trans.	3.40	n-RAG-087	GRILLE—Gold grille for Models 475 and 476.	1.00
n-RLL-067	L1 (Late)	COIL—Iron core loop antenna.	1.00	n-RAG-088	GRILLE—White grille for Model 477.	1.75
MISCELLANEOUS ELECTRICAL				n-RAU-446	CABINET—Mahogany plastic for Model 475.	8.00
RHS-110	SHIELD—Tube shield.		.15	n-RAU-447	CABINET—Ivory plastic, for Model 476.	8.00
RHS-127	SHIELD—Pilot light shield.		.05	n-RAU-448	CABINET—Gray plastic, for Model 477.	8.00
R11-081	WAFER—Sub-chassis I-F wafer.		.05	n-RDE-154	BEZEL—Dial bezel.	1.10
R11-082	WAFER—Sub-chassis tube wafer.		.05	RDK-425	KNOB—Clear and gold knob for volume and tuning.	.35
				n-RDP-086	POINTER—Translucent white dial pointer.	.65
				n-RDW-094	DIAL SCALE AND WINDOW.	1.10
				R11-084	COVER—Plastic loop cover.	.60
				RWL-009	POWER CORD—Brown power cord for Models 475 and 477.	.70
				RWL-026	POWER CORD—Ivory power for Model 476.	.75
				RYN-019	MEDALLION—"Musiphonic" medallion.	.35

"n" DENOTES NEW ITEMS NOT PREVIOUSLY CATALOGED

PRICES ARE SUGGESTED LIST PRICES AND SUBJECT TO CHANGE WITHOUT NOTICE

MODEL 480



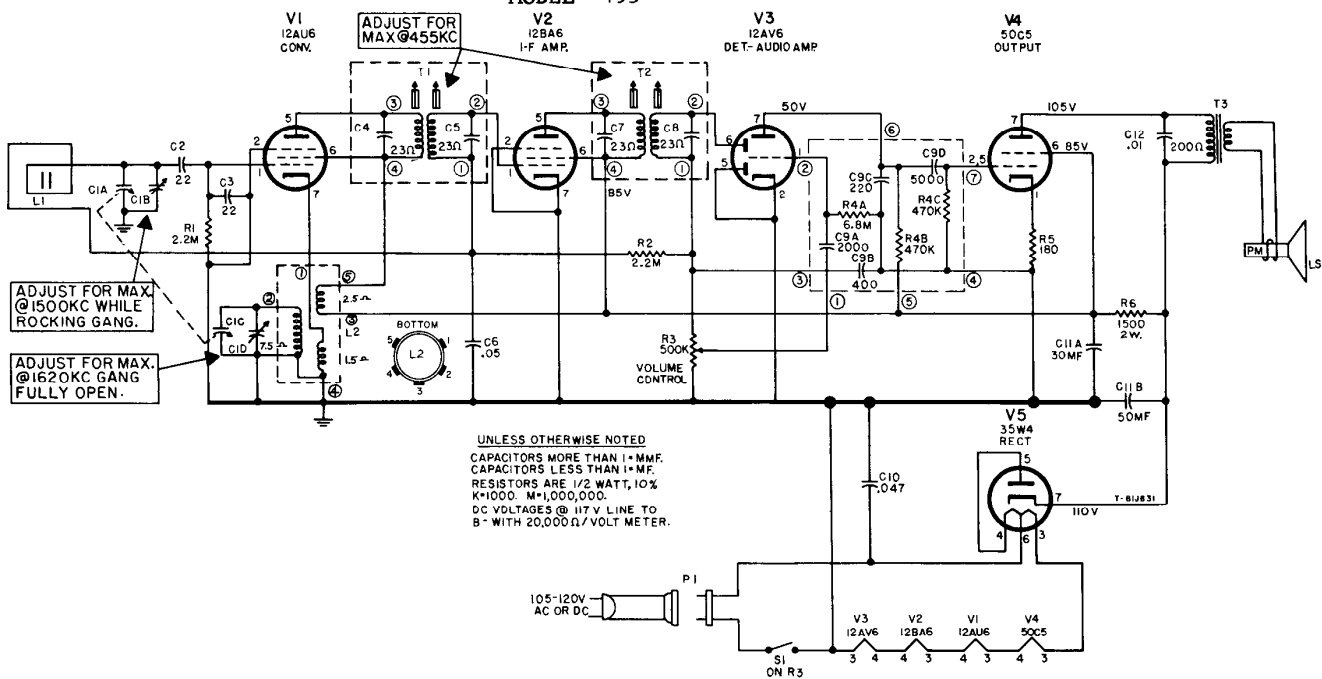
REPLACEMENT PARTS LIST—MODEL 480

CAT. NO.	SYMBOL	DESCRIPTION	PRICE	CAT. NO.	DESCRIPTION	PRICE
CAPACITORS				MISCELLANEOUS ELECTRICAL (Cont'd)		
RCC-126	C18	.047 mf., ±20%, 200 V., paper	\$0.35	RSS-009	SWITCH—Local distance switch, S3	\$0.30
RCC-127	C17	.022 mf., ±20%, 200 V., paper	.35	RWL-009	CORD—Power cord and plug, brown	.70
RCC-128	C16	.10 mf., ±20%, 200 V., paper	.40	n-RWX-055	PILOT LAMP SOCKET ASSEMBLY	.70
RCC-129	C20, 24	.02 mf., ±40, -10%, 400 V., paper	.35	S-625D7	SPEAKER—6½ inch PM; 4 watt, 3.2 ohm voice coil	6.35
RCE-166	C15A, B	100-50 mf., 150 V., electro.	2.60			
RCN-053	C13	.047 mf., ±20%, 600 V., molded	.35			
n-RCT-082	C1A, B, C, D, E, F	TUNING—Three gang with drum and dial beam bracket	5.25			
RCW-3075	C4	47 mmf., ±20%, ceramic	.25			
RCW-3079	C2, 11	100 mmf., ±20%, ceramic	.25			
RCW-3104	C14A, B	.005 mf / 0068 mf., ceramic	.25			
RCW-3195	C21, 22	220 mmf., disk ceramic	.25			
n-RCW-3214	C3	8.2 mmf., ceramic	.20			
UCC-045	C5, 6	.05 mf., 600 V., paper	.30			
POTENTIOMETERS				MISCELLANEOUS MECHANICAL		
n-RRC-331	R8, S2	VOLUME CONTROL & RADIO-PHONO SWITCH	1.55	RDC-032	DIAL CORD—Drive cord, .28 in. dia., Newton Line Co., NF-28 or equiv. 25 yds.	2.50
n-RRC-332	R16, S1	TONE CONTROL & ON-OFF SWITCH	1.70	RHC-024	CLIP—½ in. electrolytic mtg. clip	.10
				RHE-014	EYELET—Tube receptacle wafer mtg.	.01
				RHE-016	EYELET—I-F trans. wafer mtg.	.01
				RHG-018	GROMMET—For mtg. tuning gang	.05
				RHI-017	STRAIN RELIEF—Two piece strain relief for power cord	.15
				RHJ-005	SPACER—Spacer bushing and sleeve for mtg. tuning capacitor .230 O.D. x 168 I.D.	.02
				RHS-041	SCREW—#6½ in. screw for mounting speaker	.02
				RHS-108	SHIELD—Pilot light shield	.05
				RHS-109	SPACER—Black Textolite, used in chassis tube holes	.20
				RHS-110	SHIELD—Tube shield, metal, 1¼ in. long for 12AV6 and 12BE6 tubes	.15
				RHS-118	EYELET PIN—Eyelet and soldering point used to mount 1st i-f socket wafer	.05
				RHS-126	LOOP SHIELD—Electrostatic shield over ferrite antenna rod RLL-060	.50
				RII-081	WAFER—Part of i-f transformer receptacle 1½ x ⅞ inches	.05
				RII-082	WAFER—Part of tube receptacle 1½ inches diameter	.05
				RII-084	COVER—For antenna loop	.60
				RII-090	HEAT SHIELD—1 x 1 inch asbestos base phenolic shield between chassis tube hole spacer, RHS-109 and Textolite sub-chassis used at 35W4 and 35C5 tubes	.05
				RII-091	BOARD—Sub-chassis, bare	.60
				RMS-118	SPRING—Dial cord tension spring	.10
				RMW-070	PULLEY—½ in. idler pulley, fits on ¼ in. volume control shaft	.05
				n-RMX-322	SHAFT—Drive shaft and bushing assembly	.45
RESISTORS (CARBON, ±10%)				CABINET AND APPEARANCE ITEMS		
<p>All resistors not listed in this parts list are common items, readily available from radio parts jobber. For description of such unlisted items, refer to the attached schematic diagram.</p>						
COILS AND TRANSFORMERS				RAB-241		
RLB-034	T1	COIL—R-F coil	1.35	CABINET BACK—Masonite, 13 9/32 x 4 29/32 in. used with RHS-126		
RLC-126	T2	COIL—Oscillator coil	.90	n-RAG-086	GRILLE—Fawn, fits in front of speaker	
RLL-060	L1	LOOP—Antenna, wound on ferrite rod, 7 x ½ in.	1.20	n-RAU-454	CABINET—Mottled mahogany, plastic	
			1.80	n-RDG-012	DIAL BACKPLATE ASSEMBLY—Plastic, fawn	
RTL-143	T3, 4	TRANSFORMER—I-F	1.80			.25
RTO-145	T5	TRANSFORMER—Audio output	3.40	RDK-425	KNOB—Tuning and volume, clear and gold	
				n-RDK-507	KNOB—Tone, clear and gold with white dot	
				RDP-079	POINTER—Dial pointer, fits on ⅞ in. shaft	
				n-RDW-093	WINDOW—Dial window and scale	
				RYN-019	MEDALLION—Musaphonic emblem	
						.35
MISCELLANEOUS ELECTRICAL				RJC-004		
RJC-004	CONNECTOR—Small female, on audio output leads		.02	CONTACT—Dip solder contact includes tube pin clip for tube receptacle		
RJC-027	TERMINAL—Dip solder terminal used on RLC-126		.02	RJC-028	I-F CLIP—Dip solder contact and clip for i-f trans., spring brass, connects pin 5—12BE6, 1—12BA6 and 5—12BA6	
RJC-030	I-F CLIP—Dip solder contact and clip for i-f trans., spring brass, connects pins 5—12BE6, 1—12BA6 and 5—12BA6		.02	RJC-031	PHONO JACK—Phono input socket, .687 mounting center	
RJC-031	I-F CLIP—Dip solder contact and clip for i-f trans., spring brass, connects pins 5—12BE6, 1—12BA6 and 5—12BA6		.02	RJS-182		
RJS-182	PHONO JACK—Phono input socket, .687 mounting center		.15			

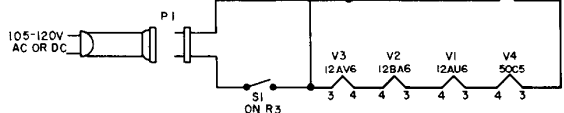
"n"—INDICATES PARTS NOT USED ON PREVIOUS RECEIVERS.

PRICES ARE SUGGESTED LIST PRICES AND ARE SUBJECT TO CHANGE WITHOUT NOTICE.

MODEL 495



UNLESS OTHERWISE NOTED
 CAPACITORS MORE THAN 1 MMF.
 CAPACITORS LESS THAN 1 MMF.
 RESISTORS ARE 1/2 WATT, 10%
 K=1000, M=1,000,000.
 DC VOLTAGES @ HT V LINE TO
 B- WITH 20,000 OHM/VOLT METER.



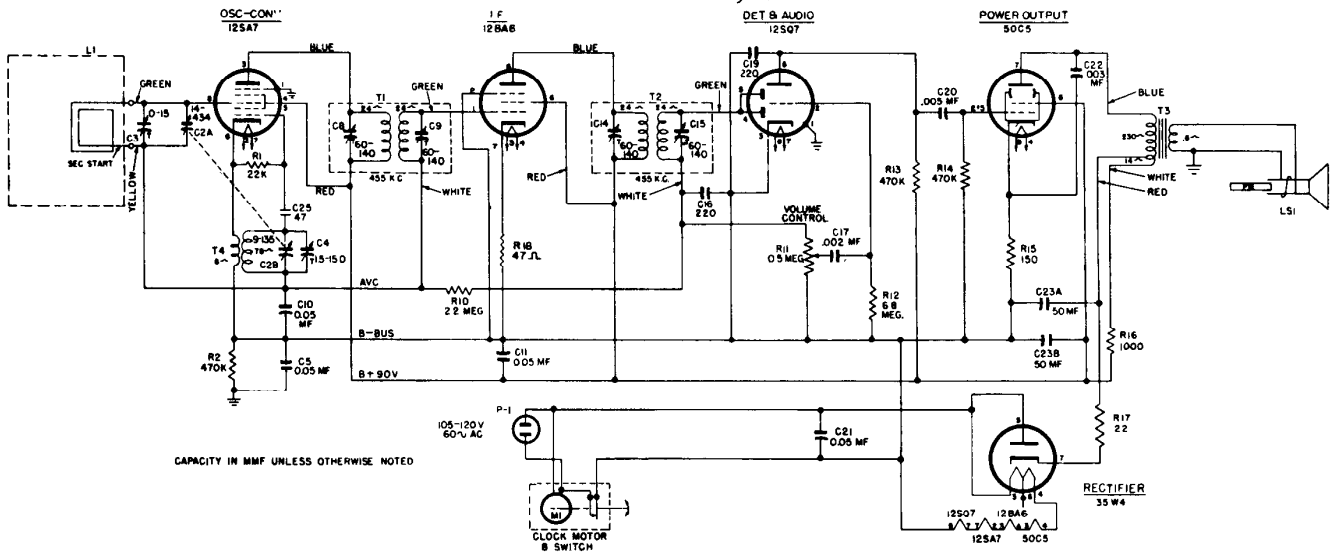
REPLACEMENT PARTS LIST—MODEL 495

Cat. No.	Description	Price	Cat. No.	Description	Price
n-RAB-300	BACK—Cabinet back	\$0.25	n-RRC-352	VOLUME CONTROL—with switch, 500 K ohms	\$1.35
n-RAG-096	GRILLE—Speaker grille	1.50	n-RWL-036	POWER CORD—Brown power cord, 13½ in. long, with interlock75
n-RAG-097	GRILLE—Control plate grille	1.75	n-RYN-039	MEDALLION—Fastens to speaker grille40
n-RAV-1004	CABINET—Metal cabinet, copper finish	7.25			
n-RDK-543	KNOB—Tuning control knob	1.50			
n-RDK-544	KNOB—Volume control knob35			
CAPACITORS			MISCELLANEOUS ITEMS		
RCC-086	C6 .05 mfd., @ 200 v, paper	\$0.30	RHC-060	CLAMP—Plastic clamp (antenna)	\$0.15
RCE-207	C11A, B Electrolytic, 30 mfd., 50 mfd., @ 150 v	3.65	RHS-110	SHIELD—Tube shield for V-315
RCN-053	C10 .047 mfd., @ 600 v, molded35	RHS-161	SHIELD—Flat, mounted on V-2 socket center pin10
RCT-093	C1A, B, C, D Tuning gang	3.40	RJW-025	WASHER—Flat washer20
RCW-3186	C12 .01 mfd., @ 450 v, cer.30	RJY-010	RECEPTACLE—Power cord receptacle25
RCW-3196	C2, 3 22 mmf., @ 500 v, cer.20	RJS-221	SOCKET—Tube socket25
RCW-3207	C9A, B, C, D Coupling network	1.00	RJS-222	SOCKET—Tube socket with ground clip for V-325
			n-RMS-374	CLIP—Ground clip for molded socket02
			S-400D7	LOUDSPEAKER—4" loudspeaker, P.M.	4.60
RESISTORS			CABINETS & APPEARANCE ITEMS		
RRC-310	R3 VOLUME CONTROL with switch, 500 K ohms	1.50	n-RAB-282	BACK—Cabinet back20
URD-031	R5 180 ohms, ±10%, ½ w. car.13	RAU-444	CABINET—Ivory for Model 456S	6.50
URD-129	R1, R2 2.2 megohm, ±10%, ½ w. car.13	RAU-445	CABINET—Light Green, Model 457S	6.50
URF-053	R6 1500 ohms, ±10%, 2 w. car.25	RAU-449	CABINET—Dark Brown, Model 455S	6.50
COILS & TRANSFORMERS			n-RAB-282	BACK—Cabinet back20
RLC-135	L2 COIL—Oscillator coil	1.00	RAU-444	CABINET—Ivory for Model 456S	6.50
RLL-064	L1 COIL—Iron core loop antenna	1.00	RAU-445	CABINET—Light Green, Model 457S	6.50
RTL-183	T1, 2 TRANS.—I-F trans.	1.65	RAU-449	CABINET—Dark Brown, Model 455S	6.50
RTO-176	T3 TRANS.—Output trans.	2.05	RDK-357	KNOB—Vol. control, Dark Brown, 456S20
			RDK-465	KNOB—Tuning knob, Fawn, 455S	1.40
			RDK-466	KNOB—Vol. control, Fawn, 455S20
			RDK-504	KNOB—Tuning knob, Dark Brown, 456S	1.40
			RDK-505	KNOB—Tuning knob, Dark Green, 457S	1.40
			RDK-506	KNOB—Vol. control, Dark Green, 457S20
			RMS-356	CLIP—To captivate tuning knob on cabinet05

PRICES ARE SUGGESTED LIST PRICES AND SUBJECT TO CHANGE WITHOUT NOTICE.

"m"—Parts not previously catalogued.

MODELS 500, 501



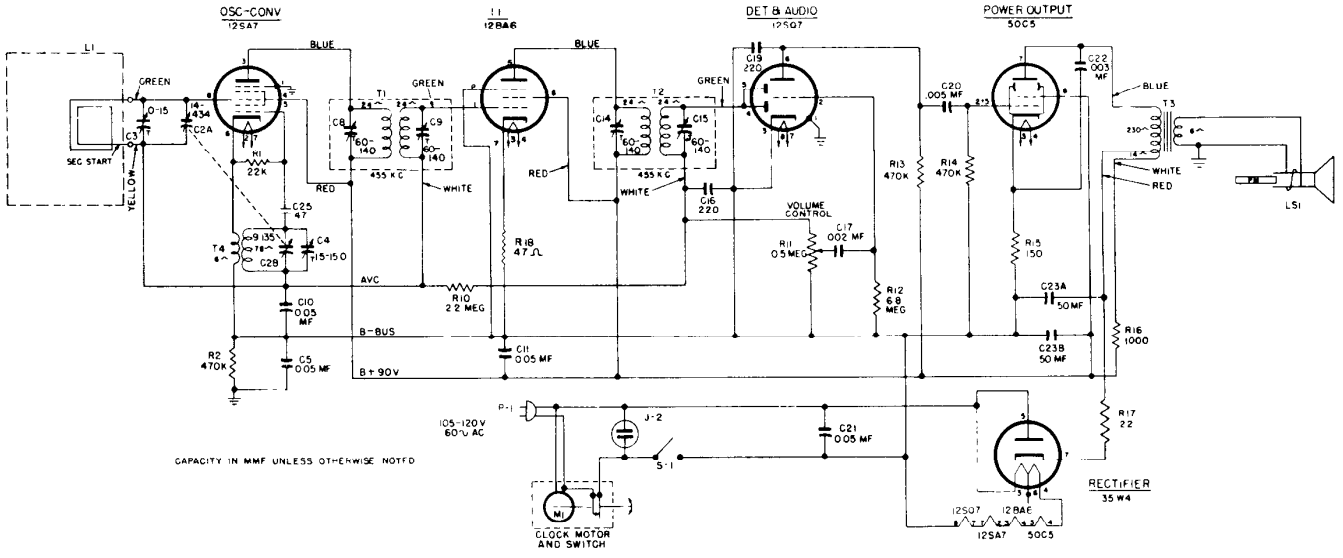
MODEL 500 AND 501 REPLACEMENT PARTS

Cat. No.	Symbol	Description	Unit List Price	Cat. No.	Symbol	Description	Unit List Price
UNIVERSAL REPLACEMENT PARTS				SPECIALIZED REPLACEMENT PARTS (Cont'd)			
*UCC-045	C5, 10, 11, 21	CAPACITOR—.05 mf., 600 v., paper	\$0.30	*RCT-021	C2A, 2B, C3, C4	CAPACITOR—Tuning capacitor (oscillator and r-f section) with trimmers	\$4.70
*UCC-630	C17, 20	CAPACITOR—.01 mf., 600 v., paper (used in early production) (may replace respective sections of RCW-3013)	.30	*RCW-1043	C25	CAPACITOR—47 mmf., ceramic	.60
*UCU-036	C16, 19	CAPACITOR—220 mmf., mica (used in early production) (may replace respective sections of RCW-3013)	.30	*RCW-3013	C16, 17, 19, 20	CAPACITOR—220 mmf., .002 mf., 220 mmf., .005 mf., (4 section ceramic) (see UCC-630, UCU-036)	1.00
*UOP-421	LS1	SPEAKER—PM loudspeaker	4.95	*RDK-028		KNOB—Volume control knob	.10
*URD-009	R17	RESISTOR—22 ohms, 1/2 w., carbon	.13	*RDK-094		KNOB—Tuning dial wheel	.45
*URD-017	R18	RESISTOR—47 ohms, 1/2 w., carbon	.13	*RDS-047		SCALE—Dial scale (Model 500)	.10
*URD-029	R15	RESISTOR—150 ohms, 1/2 w., carbon	.13	*RDS-050		SCALE—Dial scale (Model 501)	.10
*URD-081	R1	RESISTOR—22,000 ohms, 1/2 w., carbon	.13	*RJC-004		CLIP—Loop connector clip	.02
*URD-113	R2, 13, 14	RESISTOR—470,000 ohms, 1/2 w., carbon	.13	*RJS-092		SOCKET—Tube socket for 50C5, 35W4	.20
*URD-129	R10	RESISTOR—2.2 meg., 1/2 w., carbon	.13	*RJS-116		SOCKET—Tube socket for 12SA7	.15
*URD-141	R12	RESISTOR—6.8 meg., 1/2 w., carbon	.13	*RJS-117		SOCKET—Tube socket for 12SQ7, 35Z5-GT	.15
*URF-049	R16	RESISTOR—1000 ohms, 2 w., carbon	.25	*RJS-141		SOCKET—Tube socket for 12BA6	.20
				*RLC-090	T4	COIL—Oscillator coil	.90
				*RHG-015		GROMMET—Cushion mounting for C2A, C2B	.05
				*RHH-004		SNAP FASTENER—For cabinet back	.30
				*RHJ-005		SPACER—Washer used with RHG-015	.02
				*RRC-054	R11	POTENTIOMETER—0.5 meg., volume control	1.25
				*RTL-094	T1, C8, C9	TRANSFORMER—1st I-F transformer	1.90
				*RTL-095	T2, C14, C15	TRANSFORMER—2nd I-F transformer	1.90
				*RTO-036	T3	TRANSFORMER—Output transformer	2.85
				*RWL-009		CORD—Power cord (brown) for Model 500	.70
				*RWL-016		CORD—Power cord (white) for Model 501	.75
				*RYN-005		NAMEPLATE—G-E monogram	.20
				*RZC-010	M1	CLOCK—60 cycle, 105-125 v., clock assembly	12.95
SPECIALIZED REPLACEMENT PARTS							
*RAB-097	L1	BACK—Cabinet back cover (includes loop L1)	\$1.80				
*RAC-074		MOUNTING BRACKET—Metal back cover holds clock to cabinet	.75				
RAU-319		CABINET—Brown plastic (Model 500)	4.25				
RAU-320		CABINET—White plastic (Model 501)	6.95				
*RCC-074	C22	CAPACITOR—.003 mf., 600 v., paper	.25				
*RCE-050	C23A, 23B	CAPACITOR—50 mf., 150 v., 50 mf., 150 v., dry electrolytic	2.10				

MODEL 502—REPLACEMENT PARTS LIST

CAT. NO.	SYMBOL	DESCRIPTION	CAT. NO.	SYMBOL	DESCRIPTION
UNIVERSAL REPLACEMENT PARTS			UNIVERSAL REPLACEMENT PARTS		
UCC-036	C85, 88	CAPACITOR—.002 mfd., 600 v., paper	RXC-012	C2, 3, 4, 5, 6, 7	TRIMMER STRIP—Push button
UCC-037	C49	CAPACITOR—.003 mfd., 600 v., paper	RXC-021		TRIMMER STRIP AND COIL ASSEMBLY—Push button
UCC-039	C91	CAPACITOR—.005 mfd., 600 v., paper	RXC-024	C12, 15	TRIMMER STRIP ASSEMBLY—3-30 mmf., 80-130 mmf., trimmer capacitor
UCC-040	C52, 65, 74, 78, 87, 90, 103, 116, 124	CAPACITOR—.01 mfd., 600 v., paper	RXC-025	C23, 31, 33, 34	TRIMMER STRIP—185-245 mmf., 20-55 mmf., 320-400 mmf., 165-225 mmf., trimmer capacitor
UCC-041	C18, 50, 51, 63, 71, 75, 80, 83, 93, 108, 109	CAPACITOR—.02 mfd., 600 v., paper	RXC-026	C17, 39, 40	TRIMMER STRIP—20-55 mmf., 475-575 mmf., 320-400 mmf., trimmer capacitor
UCC-042	C79, 81, 82, 84	CAPACITOR—.03 mfd., 600 v., paper	RXC-027	C27, 37, 123	TRIMMER STRIP—2-20 mmf., 185-245 mmf., 34-70 mmf., trimmer capacitor
UCC-045	C48, 53, 76, 105, 107, 110, 58, 19, 42	CAPACITOR—.05 mfd., 600 v., paper	RXC-028	C10, 13, 14	TRIMMER STRIP—34-70 mmf., 40-80 mmf., 5-45 mmf., trimmer capacitor
UCG-3034	C129	CAPACITOR—180 mmf., mica	RCY-011	C9	CAPACITOR—3-30 trimmer
UCN-502	C20	CAPACITOR—1.5 mmf., ceramic	RCY-017	C28, 118	TRIMMER STRIP—3-30 mmf., 3-30 mmf., trimmer capacitor
UCN-505	C114	CAPACITOR—4.7 mmf., ceramic	RDB-008		PUSH BUTTON—Mahogany
UCN-506	C1, 8	CAPACITOR—6.8 mmf., ceramic	RDC-025		DRIVE CORD ASSEMBLY
UCN-1550	C21	CAPACITOR—820 mmf., ceramic	RDF-003		WASHER—Felt for control knobs
UCU-020	C92	CAPACITOR—47 mmf., mica	RDK-036		KNOB—Mahogany (plam)
UCU-028	C77, 102	CAPACITOR—100 mmf., mica	RDK-039		KNOB—Mahogany (arrow)
UCU-516	C133, 132, 136	CAPACITOR—33 mmf., mica	RDP-026		POINTER—Assembly
UCU-520	C26, 70	CAPACITOR—47 mmf., mica	RDS-021		SCALE—Dial scale
UCU-528	C72	CAPACITOR—100 mmf., mica	RDS-028		SCALE ASSEMBLY—Dial
UCU-536	C25	CAPACITOR—220 mmf., mica	RDX-019	S2	SWITCH ASSEMBLY—Push button
UCU-544	C43, 125	CAPACITOR—470 mmf., mica	REI-006		IRON CORE—AM tuning
UCU-1014	C64, 101	CAPACITOR—27 mmf., mica	RHE-001		EYELET—For connecting FM links
UCU-1504	C113, 115	CAPACITOR—10 mmf., mica	RHM-024		LINK—Hoist link, holding end of hoist cord
UCU-1512	C112	CAPACITOR—22 mmf., mica	RJP-004	P1	NUT—Hex nut for tuning vane adjustment
UCU-1532	C134	CAPACITOR—150 mmf., mica	RJP-006		PLUG—Phono, male
UCW-012	C24	CAPACITOR—22 mmf., ceramic	RJP-007	J2	PLUG—Three prong loop plug
UCW-1004	C119, 128	CAPACITOR—10 mmf., ceramic	RJP-008		RECEPTACLE—110 v.
UCW-1014	C44, 54	CAPACITOR—27 mmf., ceramic	RJS-012		SOCKET—Tuning eye
UCW-1024	C120	CAPACITOR—68 mmf., ceramic	RJS-034		MOUNTING PLATE—For C99
UCW-1028	C69	CAPACITOR—100 mmf., ceramic	RJS-037		SOCKET—Pilot light
UCW-1504	C117	CAPACITOR—3.3 mmf., ceramic	RJS-041		MOUNTING PLATE—For C100
UDL-005	I1, 2	PILOT LIGHT—Mazda No. 44	RJS-051		TUBE SOCKET—For V1, V2, and V3
UDL-008	I3	PILOT LIGHT—Mazda No. 47	RJS-053		SOCKET—Three prong at rear of chassis
URD-1730	R69	SPEAKER—12-inch speaker	RJS-054		SOCKET—Tube
URD-009	R66	RESISTOR—22 ohms, 1/2 w., carbon	RJS-065		SOCKET—Dial light socket and leads
URD-013	R10, 61	RESISTOR—33 ohms, 1/2 w., carbon	RJX-003	J1	JACK—Phono
URD-033	R20	RESISTOR—220 ohms, 1/2 w., carbon	RLA-006	T1	TRANSFORMER—B.C.P.B. antenna
URD-041	R46, 49, 68, 71, 77	RESISTOR—470 ohms, 1/2 w., carbon	RLA-009	T2	TRANSFORMER—B.C. antenna transformer
URD-049	R21, 28, 56	RESISTOR—1000 ohms, 1/2 w., carbon	RLA-012	L26, 28	CHOKE—FM antenna choke, FM oscillator cathode choke
URD-057	R43, 58	RESISTOR—2200 ohms, 1/2 w., carbon	RLA-025	L17, 18, 19	COILS—Push-button oscillator tuning coils
URD-059	R62	RESISTOR—2700 ohms, 1/2 w., carbon	RLB-006	L20, 21, 22	COILS—Push-button oscillator tuning coils
URD-061	R73	RESISTOR—3300 ohms, 1/2 w., carbon	RLB-008	L6	COIL—Broadcast band r-f coil
URD-069	R31, 79	RESISTOR—6800 ohms, 1/2 w., carbon	RLB-009	L3	COIL—SW band r-f plate choke coil
URD-073	R65	RESISTOR—10,000 ohms, 1/2 w., carbon	RLC-014	L11	COIL—Broadcast r-f primary dummy coil
URD-077	R9, 27, 36, 39, 78	RESISTOR—15,000 ohms, 1/2 w., carbon	RLC-015	L10	COIL—Broadcast band oscillator shunt tuning coil
URD-081	R44, 67	RESISTOR—22,000 ohms, 1/2 w., carbon	RLC-016	L16	COIL—SW oscillator coil
URD-085	R11, 13, 25	RESISTOR—33,000 ohms, 1/2 w., carbon	RLC-017	L8	COIL—Broadcast band oscillator coil
URD-089	R17, 19, 72	RESISTOR—47,000 ohms, 1/2 w., carbon	RLF-007	L24	COIL—SW r-f coil
URD-093	R60	RESISTOR—68,000 ohms, 1/2 w., carbon	RLI-002	L23	COIL—I-f filament choke
URD-095	R3, 7, 15, 23, 24, 59	RESISTOR—82,000 ohms, 1/2 w., carbon	RLI-005	L12	COIL—FM power line choke
URD-097	R32, 33	RESISTOR—100,000 ohms, 1/2 w., carbon	RLI-018	L25	COIL—FM oscillator cathode choke
URD-099	R8	RESISTOR—120,000 ohms, 1/2 w., carbon	RLP-005	L14, 15	COIL—SW loop shunt coil
URD-103	R37, 38	RESISTOR—180,000 ohms, 1/2 w., carbon	RLP-008	L5, 13	COIL—I-f plate choke
URD-109	R30, 47, 48	RESISTOR—330,000 ohms, 1/2 w., carbon	RMM-010		COIL—FM r-f plate choke and i-f wavetrap inductance
URD-113	R14, 41, 74	RESISTOR—470,000 ohms, 1/2 w., carbon	RMM-011		VANE—Tuner vane for coils L2 and L7
URD-117	R1, 34, 63	RESISTOR—680,000 ohms, 1/2 w., carbon	RMN-016		VANE—Tuner vane for oscillator coil L9
URD-121	R42, 57	RESISTOR—1 meg., 1/2 w., carbon	RMR-002		PULLEY—Drive pulley
URD-125	R2, 6, 70	RESISTOR—1.2 meg., 1/2 w., carbon	RMS-040		ROLLER—Presses against hoist shaft
URD-129	R22, 35, 64	RESISTOR—1.5 meg., 1/2 w., carbon	RMS-041		SPRING—Flat spring against hoist pulley shaft
URD-133	R16, 18, 80	RESISTOR—2.2 meg., 1/2 w., carbon	RMS-042		SPRING—Wire spring against hoist pulley shaft
URD-141	R40	RESISTOR—3.3 meg., 1/2 w., carbon	RMS-043		SPRING—Hoist cord tension spring
URD-1086	R45	RESISTOR—6.8 meg., 1/2 w., carbon	RMS-044		SCREW—Iron core adjusting screw
URE-071	R51	RESISTOR—36,000 ohms, 1/2 w., carbon	RMS-076		SPRING—Guide wire connecting tuning vanes to adjustment screws
URE-073	R4	RESISTOR—8200 ohms, 1 w., carbon	RMS-078		SCREW—For tuning vane adjustment
URE-089	R26	RESISTOR—10,000 ohms, 1 w., carbon	RMW-013		SPRING—Type 2 dial cord spring
URF-035	R50	RESISTOR—47,000 ohms, 1 w., carbon	RMW-018		FLYWHEEL—Less setscrew
URF-079	R75, 76	RESISTOR—220 ohms, 2 w., carbon	RMX-019		PULLEY—Hoist pulley
RAB-024	L1	BACK—Cabinet back assembly, 50 cycle	RPX-010		PULLEY—Hoist pulley and shaft
RAB-025	L1	BACK—Cabinet back assembly, 60 cycle	RRC-019		TUNER—Top plate and shaft assembly
RAD-018		BRACKET—Band switch front	RRW-004	R54, 55	PHONO PICK-UP—Less tone arm
RAD-019		BRACKET—Band switch rear	RSS-003	R52, 53	VOLUME CONTROL—2 meg., dual
RAD-020		BRACKET—For coil on rear bracket of band switch	RSW-016	S7	RESISTOR—Wirewound
RAL-001		BEZEL—Pilot light bezel	RSW-017	S5	SWITCH—Squelch switch
RAX-014		BRACKET AND ROLLER—Fork assembly for tuning hoist	RSW-018	S4	SWITCH—Treble wafer switch
RCC-038	C86, 89	CAPACITOR—.004 mfd., 600 v., paper	RTD-001	S4	SWITCH—Bass wafer switch
RCC-044	C22	CAPACITOR—.004 mfd., 600 v., paper	RTL-017	T7	TRANSFORMER—FM discriminator trans-former
RCC-045	C94, 95	CAPACITOR—.05 mfd., 600 v., paper	RTL-019	T4	TRANSFORMER—1st i-f transformer
RCC-056	C96, 97, 98	CAPACITOR—.02 mfd., 1000 v., paper	RTL-022	T6	TRANSFORMER—3rd i-f transformer
RCE-002	C99A, B	CAPACITOR—15 mfd., dual electrolytic	RTD-014	T5	TRANSFORMER—2nd i-f transformer
RCE-014	C100A, B, C, D	CAPACITOR—Electrolytic	RTP-023	T8	TRANSFORMER—Output transformer
RCW-001	C35	CAPACITOR—47 mmf., ceramic	RTP-032	T9	TRANSFORMER—Power transformer, 60 cycle
RCW-024	C29	CAPACITOR—22 mmf., ceramic	RWL-004	T10	TRANSFORMER—Power transformer, 50 cycle
RCW-025	C121, 122	CAPACITOR—4.7 mmf., ceramic	RYC-002		CORD AND PLUG—For 117 v. a-c to main chassis
RCW-1028	C16, 30, 41, 126, 127, 133, 135	CAPACITOR—22 mmf., ceramic	RYC-006		MANUAL LIST
			RYC-007		TAB—Push-button key tab (phono)
			RYC-008		STATION CALL LETTERS—For push-button keys
			RSW-029		TAB—Push-button key tab (OFF)
					Band Switch

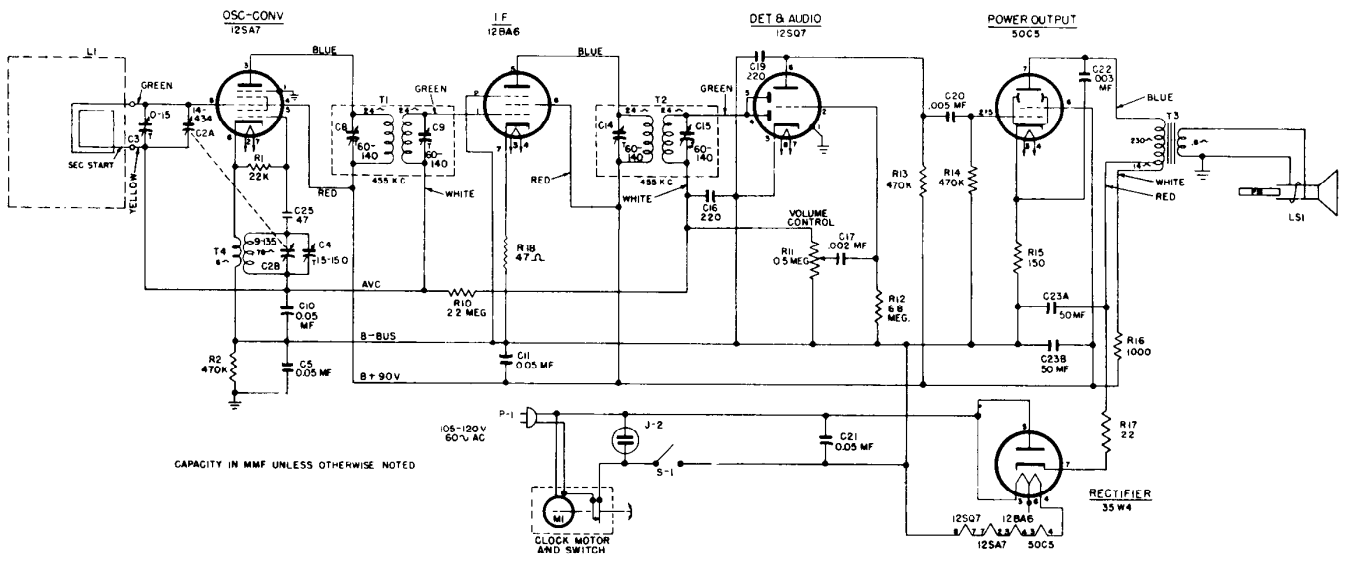
MODELS 505, 506, 507, 508



RADIO REPLACEMENT PARTS LIST 505, 506, 507, 508

Cat. No.	Symbol	Description	Sug- gested Unit List Price	Cat. No.	Symbol	Description	Sug- gested Unit List Price
UNIVERSAL REPLACEMENT PARTS				SPECIALIZED REPLACEMENT PARTS (Cont.)			
*UCC-028	C5, 10, 11	CAPACITOR—.05 mf., 400 v., paper	\$0.30	*RCT-021	C2A, 2B	CAPACITOR—Tuning capacitor (oscillator and r-f-section)	\$4.70
*UCC-036	C17	CAPACITOR—.002 mf., 600 v., paper	.25	*RCW-1043	C25	CAPACITOR—47 mmf., ceramic	.60
*UCC-039	C20	CAPACITOR—.005 mf., 600 v., paper	.25	*RCW-3013	C16, 17, 19, 20	CAPACITOR—220 mmf., .002 mf., 220 mmf., .005 mf. (4 section ceramic)	1.00
*UCC-045		CAPACITOR—.05 mf., 600 v., paper (will replace respective sections of RCW-3013).	.30	*RDK-028		KNOB—Volume control knob	.10
*UCU-1036	C16, 19	CAPACITOR—220 mmf., mica	.25	*RDK-094		KNOB—Tuning dial wheel. Does not include dial scale, see item RDS-090	.45
*UOP-421	LS1	SPEAKER—PM loudspeaker	4.95	RDS-090		DIAL SCALE—Paper scale	.10
*URD-009	R17	RESISTOR—22 ohms, 1/2 w., carbon	.13	*RHC-018		SNAP FASTENER—For cabinet back	.05
*URD-017	R18	RESISTOR—47 ohms, 1/2 w., carbon	.13	RHG-015		GROMMET—For tuning cond.	
*URD-029	R15	RESISTOR—150 ohms, 1/2 w., carbon	.13	RHH-004		FASTENER—Snap fastener for holding back	.02
*URD-081	R1	RESISTOR—22,000 ohms, 1/2 w., carbon	.13	RHI-010		STRAIN RELIEF GROMMET	.15
*URD-113	R2, 13, 14	RESISTOR—470,000 ohms, 1/2 w., carbon	.13	*RHJ-005		SPACER FOR TUNING CONDENSER	.02
*URD-129	R10	RESISTOR—2.2 meg., 1/2 w., carbon	.13	RHS-043		PLUG AND SWITCH MOUNTING CABINET—Model 508	.25
*URD-141	R12	RESISTOR—6.8 meg., 1/2 w., carbon	.13	*RJC-004		CLIP—Loop connector clip	.02
*URF-049	R16	RESISTOR—1000 ohms, 1 w., carbon	.25	RJJ-008		APPLIANCE RECEPTACLE	
SPECIALIZED REPLACEMENT PARTS				*RJS-116		SOCKET—Tube socket for 12SA7	.15
RAB-116	L1	BACK—Cabinet back cover (includes loop L1) for Models 505, 506, 507	\$1.80	*RJS-117		SOCKET—Tube socket for 12SQ7	.15
RAB-120	L1	BACK—Cabinet back cover (includes loop L1) for Model 508	1.80	*RJS-092		SOCKET—Tube socket for 50C5, 35W4	.20
*RAC-060		SHIELD PLATE—Metal plate covers bottom of chassis, Models 505, 506, 507	.35	*RJS-141		SOCKET—For 12BA6 tube, 7 pin	.20
*RAC-073		MOUNTING BRACKET—Metal back cover holds clock to cabinet	.45	*RLC-090	T4	COIL—Oscillator coil	.90
RAU-305		CABINET—Ivory plastic (Model 506)	4.95	RMS-205		SLEEP CONTROL BOOSTER SPRING	.20
RAU-317		CABINET—Brown plastic (Model 505)	4.95	*RRC-054	R11	POTENTIOMETER—0.5 meg., volume control	1.25
RAU-318		CABINET—Maroon plastic (Model 507)		*RSS-005		SWITCH—ON-OFF Switch	.35
RAU-322		CABINET—Blond mahogany finish plastic (Model 508)		*RTL-094	T1	TRANSFORMER—1st I-F transformer	1.90
*RCC-045	C21	CAPACITOR—.05 mf., 600 v., paper	.30	*RTL-095	T2	TRANSFORMER—2nd I-F transformer	1.90
*RCC-074	C22	CAPACITOR—.003 mf., 600 v., paper	.25	RTO-036	T3	TRANSFORMER—Output transformer	2.85
*RCE-050	C23A, B	CAPACITOR—50 mf., 150 v.; 50 mf., 150 v., dry electrolytic	2.10	*RWL-009		CORD—Power cord (brown) for Model 64	.70
				*RWL-016		CORD—Power cord (white) for Model 65	.75
				RYN-005		NAMEPLATE G.E. MONOGRAM	.20
				*RZC-009	M1	CLOCK—60 cycle, 105-125 v., clock assembly	12.95

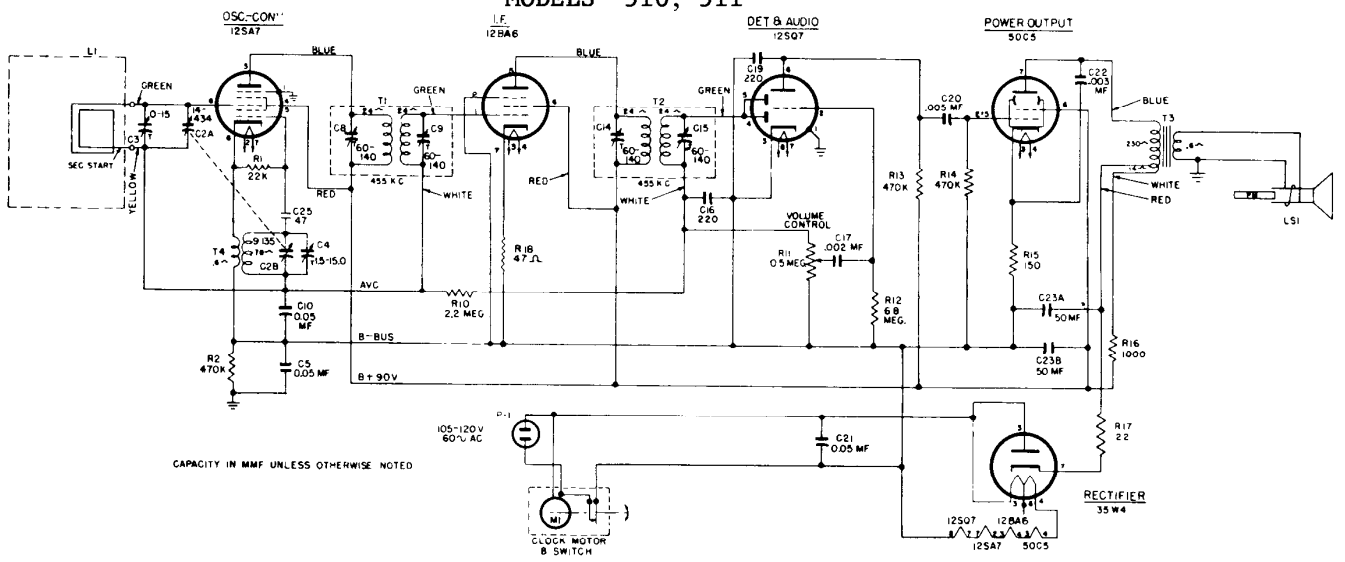
MODELS 509, 530



RADIO REPLACEMENT PARTS LIST—MODELS 509 AND 530

Cat. No.	Symbol	Description	Sug- gested Unit List Price	Cat. No.	Symbol	Description	Sug- gested Unit List Price
UNIVERSAL REPLACEMENT PARTS				SPECIALIZED REPLACEMENT PARTS (Cont.)			
*UCC-028	C5, 10, 11	CAPACITOR—.05 mf., 400 v., paper	\$0.30	*RCW-1043	C25	CAPACITOR—47 mmf., ceramic	\$0.60
*UCC-036	C17	CAPACITOR—.002 mf., 600 v., paper (will replace respective sections of RCW-3013).	.25	*RCW-3013	C16, 17, 19, 20	CAPACITOR—220 mmf., .002 mf., 220 mmf., .005 mf. (4 section ceramic)	1.00
*UCC-039	C20	CAPACITOR—.005 mf., 600 v., paper (will replace respective sections of RCW-3013).	.25	*RDK-028		KNOB—Volume control knob, Model 530	.10
*UCC-045	C21	CAPACITOR—.05 mf., 600 v., paper	.30	*RDK-094		KNOB—Tuning dial wheel. Does not include dial scale, see item RDS-090	.45
*UCU-1036	C16, 19	CAPACITOR—220 mmf., mica (will replace respective sections of RCW-3013).	.25	RDK-203		KNOB—Volume control knob (red) for Model 509	—
*URD-009	R17	RESISTOR—22 ohms, ½ w., carbon	.13	*RDS-090		DIAL SCALE—Paper scale	.10
*URD-017	R18	RESISTOR—47 ohms, ½ w., carbon	.13	*RHG-015		GROMMET—For tuning cond.	—
*URD-029	R15	RESISTOR—150 ohms, ½ w., carbon	.13	*RHH-004		FASTENER—Snap fastener for holding back	.02
*URD-081	R1	RESISTOR—22,000 ohms, ½ w., carbon	.13	RHI-010		STRAIN RELIEF INSULATOR	.15
*URD-113	R2, 13, 14	RESISTOR—470,000 ohms, ½ w., carbon	.13	*RHJ-005		SPACER FOR TUNING CONDENSER	.02
*URD-129	R10	RESISTOR—2.2 meg., ½ w., carbon	.13	RHS-043		BRACKET—For receptacle, J2 and switch, S1	.25
*URD-141	R12	RESISTOR—6.8 meg., ½ w., carbon	.13	*RJC-004		CLIP—Loop connector clip	.02
*URF-049	R16	RESISTOR—1000 ohms, 2 w., carbon	.25	*RJJ-008	J2	APPLIANCE RECEPTACLE	—
*DL1RS-400-CG16	LS1	SPEAKER—PM loudspeaker (less T3)	4.95	*RJS-116		SOCKET—Tube socket for 12SA7	.15
				*RJS-117		SOCKET—Tube socket for 12SQ7	.15
				*RJS-092		SOCKET—Tube socket for 50C5, 35W4	.20
				*RJS-141		SOCKET—For 12BA6 tube, 7 pin	.20
				*RLC-090	T4	COIL—Oscillator coil	.90
				RMS-205		SLEEP CONTROL BOOSTER SPRING	.20
				*RRC-054	R11	POTENTIOMETER—0.5 meg., volume control	1.25
				RSW-067	S1	SWITCH—Radio ON-OFF switch at rear of receiver	—
				*RTL-094	T1	TRANSFORMER—1st I-F transformer	1.90
				*RTL-095	T2	TRANSFORMER—2nd I-F transformer	1.90
				RTO-036	T3	TRANSFORMER—Output transformer	2.85
				*RWL-009		CORD—Power cord (brown) for Model 530	.70
				*RWL-106		CORD—Power cord (white) for Model 509	.75
				RYN-007		NAMEPLATE—General Electric monogram	—
				*RZC-009	M1	CLOCK—60 cycle, 105-125 v., clock assembly, for Model 530	12.95
				RZC-011	M1	CLOCK—60 cycle, 105-125 v., clock assembly	—
SPECIALIZED REPLACEMENT PARTS							
*RAB-116	L1	BACK—Cabinet back cover (includes loop L1) for Model 509	\$1.80				
*RAB-120	L1	BACK—Cabinet back cover (includes loop L1) for Model 530	1.80				
*RAC-060		SHIELD PLATE—Metal plate covers bottom of chassis	.35				
*RAC-073		MOUNTING BRACKET—Metal back cover holds clock to cabinet	.45				
RAU-325		CABINET—White plastic (Model 509)	—				
RAU-330		CABINET—Bleached mahogany finish plastic (Model 530)	—				
*RCC-074	C22	CAPACITOR—.003 mf., 600 v., paper	.25				
*RCE-050	C23A, B	CAPACITOR—50 mf., 150 v.; 50 mf., 150 v., dry electrolytic	2.10				
*RCT-021	C2A, 2B	CAPACITOR—Tuning capacitor (oscillator and r-f section)	4.70				

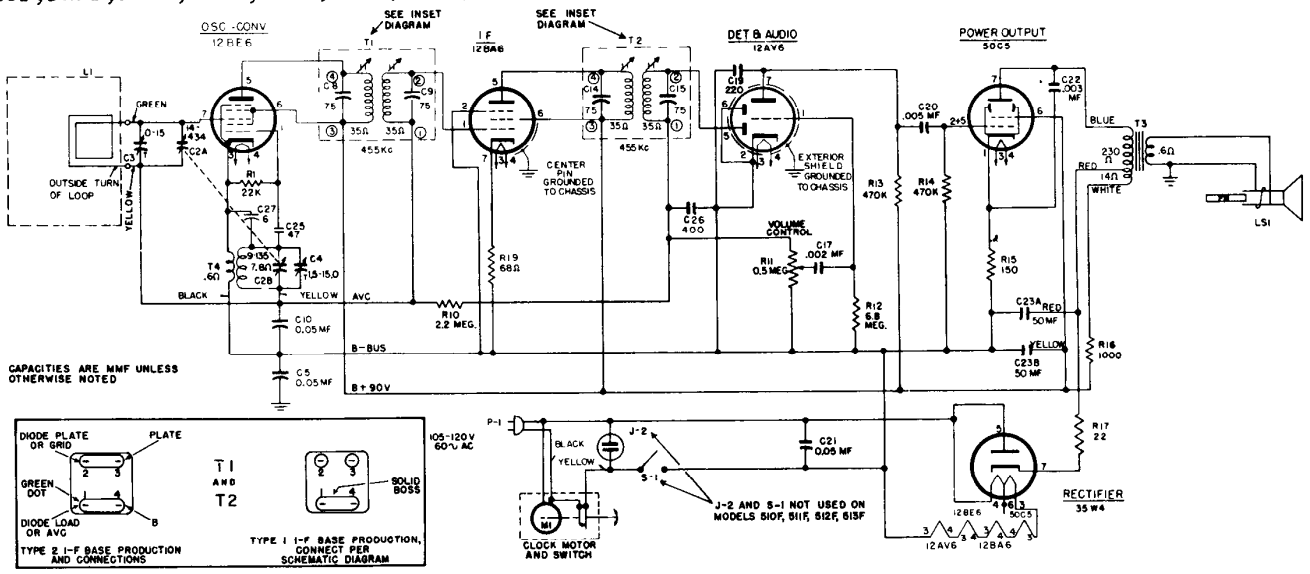
MODELS 510, 511



MODEL 510 AND 511 REPLACEMENT PARTS

Cat. No.	Symbol	Description	Suggested Unit List Price	Cat. No.	Symbol	Description	Suggested Unit List Price
UNIVERSAL REPLACEMENT PARTS				SPECIALIZED REPLACEMENT PARTS (Cont'd)			
UCC-037	C22	CAPACITOR .003 mf., 600 v., paper	\$0.25	RAU-337		CABINET — White plastic (Model 511)	
*UCC-045	C3, C10, C11, C21	CAPACITOR — .05 mf., 600 v., paper	.30	*RCC-074	C22	CAPACITOR — 003 mf., 600 v., paper	\$0.25
*UCC-630	C17, C20	CAPACITOR — 01 mf., 600 v., paper (may replace respective sections of RCW-3013)	.30	*RCE-116	C23A, C23B	CAPACITOR — 50 mf., 150 v., dry electrolytic	
UCG-020	C25	CAPACITOR — 47 mmf., silver mica		*RCT-045	C2A, C2B, C3, C4	CAPACITOR — Tuning capacitor (oscillator and r-f section) with trimmers	
*UCU-036	C16, C19	CAPACITOR — 220 mmf., mica (may replace respective sections of RCW-3013)	.30	*RCW-3013	C16, C17, C19, C20	CAPACITOR — 220 mmf., .002 mf., 220 mmf., .005 mf. (4 section ceramic) (see UCC-630, UCU 036)	1.00
*URD-009	R17	RESISTOR — 22 ohms, ½ w., carbon	.13	*RDK-216		KNOB — Tuning dial wheel	
*URD-017	R18	RESISTOR — 47 ohms, ½ w., carbon	.13	*RDK-218		KNOB — Volume control knob	
*URD-029	R15	RESISTOR — 150 ohms, ½ w., carbon	.13	RHC-017		CLIP — Coil clip	
*URD-081	R1	RESISTOR — 22,000 ohms, ½ w., carbon	.13	RHC-024		CLIP — Condenser clip	
*URD-113	R2, R13, R14	RESISTOR — 470,000 ohms, ½ w., carbon	.13	*RHG-015		GROMMET — Cushion mounting for C2A, C2B	.05
*URD-129	R10	RESISTOR — 2.2 meg., ½ w., carbon	.13	*RHI-010		STRAIN RELIEF	.15
*URD-141	R12	RESISTOR — 6.8 meg., ½ w., carbon	.13	*RHJ-005		SPACER — Washer used with RHG-015	.02
*URF-049	R16	RESISTOR — 1000 ohms, 2 w., carbon	.25	*RJC-004		CLIP — Loop connector clip	.02
S400C	LS1	SPEAKER — 4-in. PM speaker, less output transformer	4.95	*RJS-092		SOCKET — Tube socket for 50C5, 35W4	.20
SPECIALIZED REPLACEMENT PARTS				*RJS-116		SOCKET — Tube socket for 12SA7	.15
*RAB-131	L1	BACK — Cabinet back cover (includes loop L1)		*RJS-117		SOCKET — Tube socket for 12SQ7, 35Z5-GT	.15
RAC-060		SHIELD — Bottom shield		*RJS-141		SOCKET — Tube socket for 12BA6	.20
*RAC-085		MOUNTING BRACKET — Metal back cover holds clock to cabinet		*RLC-090	T4	COIL — Oscillator coil	.90
RAG-033		GRILLE CLOTH ASSEMBLY — Model 510		RMS-214		SPRING — Compression spring	
RAG-034		GRILLE CLOTH ASSEMBLY — Model 511		*RRC-054	R11	POTENTIOMETER — 0.5 meg., volume control	1.25
RAU-336		CABINET — Brown plastic (Model 510)		*RTL-094	T1, C8, C9	TRANSFORMER — 1st I-F transformer	1.90
				*RTL-095	T2, C14, C15	TRANSFORMER — 2nd I-F transformer	1.90
				*RTO-036	T3	TRANSFORMER — Output transformer	2.85
				RTO-091	T3	TRANSFORMER — Output transformer (bolt mount)	
				*RWL-009		CORD — Power cord (brown) for Model 510	.70
				*RWL-016		CORD — Power cord (white) for Model 511	.75
				*RZC-012	M1	CLOCK — 60 cycle, 105-125 v., clock assembly	12.95

510F, 511F, 512F, 513F, 515F, 516F, 517F, 518F, 521F, 522F

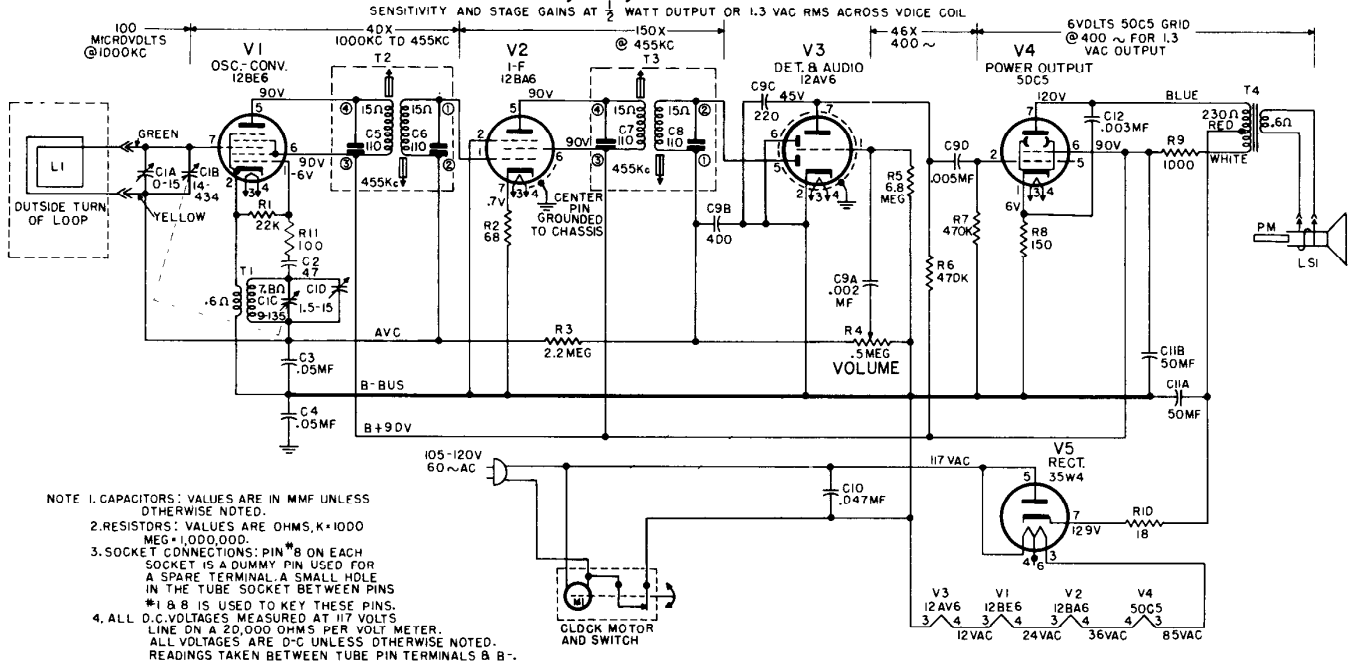


REPLACEMENT PARTS LIST—MODELS 510F, 511F, 515F, 516F, 517F, 518F, 521F, AND 522F, 512F, 513F

NOTE: For clock service data and clock repair parts, contact your local wholesale General Electric Radio Distributor.

Cat. No.	Symbol	Description	Unit Price	Cat. No.	Symbol	Description	Unit Price
RAB-149	L1	CABINET BACK—Back cover to cabinet, includes antenna loop, L1, for Models 510F, 511F	\$1.20	*RHH-004		FASTENER—Snap-on fastener for holding cabinet back to cabinet (used only on Models 521F, 522F)	\$0.02
RAB-150	L1	CABINET BACK—Back cover to cabinet, includes antenna loop, L1, for Models 515F, 516F, 517F, 518F	1.25	*RHI-010		GROMMET—Strain relief and insulating grommet in chassis back apron for power cord for Models 515F, 516F, 517F, 518F, 521F, 522F	.15
*RAB-151	L1	CABINET BACK—Back cover to cabinet, includes antenna loop, for Models 512F, 513F, 521F, 522F	1.25	*RHJ-005		SPACER—Metal spacer bushing in grommet mounting tuning capacitor (C2A, B) to chassis	.02
*RAC-085		BRACKET—Clock mounting bracket (metal shield cover over back of clock)	.75	*RHS-048		SHIELD—Metal tube shield for V3, 12-AV6	.15
*RAG-033		GRILLE—Cabinet grille cloth (dark maroon) for Models 510F, 515F, 517F	.30	RHS-073		SHIELD—Doughnut shaped metal cover over soldered pin connections of tube sockets	.10
*RAG-034		GRILLE—Cabinet grille cloth (ivory) for Models 511F, 516F	.30	RHS-074		SHIELD—Metal protective shield cover on top of chassis over wiring terminal board	.10
*RAG-035		GRILLE—Cabinet grille cloth (white) for Model 518F	.30	RHS-075		SCREW—Screw No. 6 x 3/4-in. long used to fasten chassis in cabinet	.02
RAG-037		GRILLE—Cabinet grille cloth (gold finish) for Models 521F or 522F	.35	*RJJ-008	J2	RECEPTACLE—AC power receptacle on chassis back apron used for automatic control of electrical appliances for Models 515F, 516F, 517F, 518F, 521F, 522F	.35
*RAU-336		CABINET—Brown, plastic cabinet for Model 510F	4.95	RJS-158		SOCKET—Tube socket for V2, 12BA6	.35
*RAU-337		CABINET—Ivory plastic cabinet for Model 511F	4.95	RJS-162		SOCKET—Tube socket for V1, 12BE6	.30
*RAU-338		CABINET—Brown mottle, plastic cabinet for Model 515F	4.95	RJS-163		SOCKET—Tube socket for V3, 12AV6; V4, 50C5; V5, 35W4	.30
*RAU-339		CABINET—Ivory, plastic cabinet for Model 516F	4.95	RLC-109	T4	COIL—Oscillator coil	.90
*RAU-340		CABINET—Maroon, plastic cabinet for Model 517F	4.95	*RMS-214		SPRING—Spring retaining ring for hub of dial tuning knob	.05
*RAU-341		CABINET—White, plastic cabinet for Model 518F	4.95	*RRC-054	R11	POTENTIOMETER—500,000 ohms, composition volume control	1.25
*RAU-342		CABINET—Dark mahogany, plastic cabinet for Model 521F	9.50	*RSW-067	S1	SWITCH—Radio ON-OFF switch (slide type) on chassis back apron for Models 515F, 516F, 517F, 518F, 521F, 522F	.75
*RAU-343		CABINET—Blonde mahogany, plastic cabinet for Model 522F	11.50	*RTL-117	T1, 2	TRANSFORMER—1st or 2nd i-f coupling	1.70
RAU-348		CABINET—Mahogany mottle, plastic cabinet for Model 512F	5.45	RTO-099	T3	TRANSFORMER—Audio output	1.90
RAU-349		CABINET—Antique ivory, plastic cabinet for Model 513F	6.45	*RWL-009	P1	CORD—AC power cord and plug (brown) for Models 510F or 512F	.70
RCC-107	C21	CAPACITOR—.047 mf., 600 v., paper	.35	*RWL-016	P1	CORD—AC power cord and plug (ivory) for Models 511F or 513F	.75
RCC-108	C22	CAPACITOR—.003 mf., 600 v., paper	.25	*RWL-024	P1	CORD—AC power cord and plug (white) for Model 516F	.75
RCE-127	C23A, B	CAPACITOR—50-50 mf., 150 v., electrolytic	1.85	*RWL-025	P1	CORD—AC power cord and plug (brown) for Models 515F, 517F, 521F, 522F	.75
*RCT-045	C2A, B	CAPACITOR—420-126 mmf., dial tuning capacitor	2.75	*RWL-026	P1	CORD—AC power cord and plug (ivory) for Model 516F	.75
RCW-3048	C17, 19, 20, 26	CAPACITOR—.002 mf, 220 mmf., .005 mf., 400 mmf., four section ceramic unit	.90	*RYN-005		NAMEPLATE—General Electric monogram (metal, on cabinet) for Models 512F, 513F, 521F or 522F	.20
RCW-3049	C27	CAPACITOR—6 mmf. ±5%, 1400 to 2200 neg. temp. coefficient, ceramic	.35	*RZC-009	M1	CLOCK—60 cycle, 105-125 v., clock assembly for Models 515F, 516F, 517F, 521F, 522F	12.95
*RDK-215		KNOB—Volume control knob (white) for Model 518F	.15	*RZC-011	M1	CLOCK—60 cycle, 105-125 v. clock assembly for Model 518F	12.95
*RDK-216		KNOB—Dial tuning control knob (maroon) for Models 510F, 511F	.60	*RZC-012	M1	CLOCK—60 cycle, 105-125 v. clock assembly for Models 510F, 511F	12.50
*RDK-217		KNOB—Dial tuning control knob (gold bronze color) for Models 515F, 516F, 517F, 521F, 522F	.60	RZC-014	M1	CLOCK—60 cycle, 105-125 v., clock assembly for Model 512F	12.50
*RDK-218		KNOB—Volume control knob (maroon) for Model 517F	.10	RZC-015	M1	CLOCK—60 cycle, 105-125 v., clock assembly for Model 513F	12.50
*RDK-219		KNOB—Dial tuning control knob (aluminum color) for Model 518F	.60	*S403C13		LOUDSPEAKER—4 inch PM	4.90
*RDK-230		KNOB—Volume control knob (ivory) for Models 510F, 511F, 513F, 515F	.15	*UCC-036	C17	CAPACITOR—.002 mf., 600 v., paper	.25
RDK-243		KNOB—Volume control knob (fawn) for Model 512F	.15	*UCC-039	C20	CAPACITOR—.005 mf., 600 v., paper	.25
RDK-245		KNOB—Dial tuning control knob (ivory scale, maroon numerals) for Model 513F	.60	*UCC-045	C5, 10	CAPACITOR—.05 mf., 600 v., paper	.30
RDK-246		KNOB—Dial tuning control knob (brown scale, gold numerals) for Model 512F	.60	*UCG-020	C25	CAPACITOR—47 mmf., 500 v., silver mica	.35
*RHC-024		CLIP—Mounting clip for electrolytic capacitor, C23A, B	.10	*UCU-1036	C19	CAPACITOR—220 mmf., mica	.25
*RHC-034		CLIP—Metal clip fastener used to mount 1st and 2nd i-f transformer can assemblies to chassis	.05	*URD-009	R17	RESISTOR—22 ohms, 1/2 w., carbon	.13
*RHG-015		GROMMET—Rubber grommet used to insulate and shock mount tuning capacitor (C2A, B) to chassis	.05	*URD-021	R19	RESISTOR—68 ohms, 1/2 w., carbon	.13
				*URD-029	R15	RESISTOR—150 ohms, 1/2 w., carbon	.13
				*URD-081	R1	RESISTOR—22,000 ohms, 1/2 w., carbon	.13
				*URD-113	R13, 14	RESISTOR—470,000 ohms, 1/2 w., carbon	.13
				*URD-129	R16	RESISTOR—2.2 meg., 1/2 w., carbon	.13
				*URD-141	R12	RESISTOR—6.8 meg., 1/2 w., carbon	.13
				*URF-049	R16	RESISTOR—1000 ohms, 2 w., carbon	.25

514,542,543



RADIO REPLACEMENT PARTS LIST FOR MODELS 514, 542 AND 543

**CAPACITORS
(Paper)**

Cat. No.	Symbol	Description	Unit Price
*RCE-127	C11A, B	50-50 mf., 150 v., electrolytic	\$1.85
RCE-062	C1A, B, C, D	Tuning, two section, 9 mmf.-135 mmf., sec., 14 mmf. 434 mmf., ant.	3.50
*RCW-3048	C9A, B, C, D	Four ceramic capacitors in two sections— one—.002 mf., section two—400 mmf., 220 mf., .003 mf.	.90
RCW-3075	C2	47 mmf., ceramic	.15
*UCC-037	C12	.003 mf., 600 v., paper	.25
*UCC-045	C3, 4, 10	.05 mf., 600 v., paper	.30

**RESISTORS
(Carbon, 1/2 Watt)**

*URD-007	R10	18 ohms	.13
*URD-021	R2	68 ohms	.13
*URD-029	R8	150 ohms	.13
*URD-081	R1	22,000 ohms	.13
*URD-113	R6, 7	470,000 ohms	.13
*URD-129	R3	2.2 meg.	.13
*URD-141	R5	6.8 megohms.	.13

(Carbon, 2 Watt)

*URF-049	R9	1000 ohms	.25
----------	----	-----------	-----

(Patentometers)

*RRC-054	R4	Volume control 500,000, composition	1.25
----------	----	-------------------------------------	------

COILS AND TRANSFORMERS

*RLC-118	T1	COIL—Oscillator coil	.90
*RTL-135	T2, 3	TRANSFORMER—1st or 2nd I.F. with tuning cores.	1.90
*RTO-099	T4	TRANSFORMER—Audio output	1.90

MISCELLANEOUS ELECTRICAL

*RJS-158		SOCKET—Tube socket for V2, 12BA6 mechanized, see RJS-188	.35
*RJS-162		SOCKET—Tube socket for V1, 12BE6 mechanized, see RJS-189	.30
*RJS-163		SOCKET—Tube socket for V3, V4, V5, RJS-160, 50C5, 35W4 mechanized, see RJS-159.	.30
RJS-188		SOCKET—Tube socket for V2, 12BA6 non- mechanized, see RJS-158	
RJS-189		SOCKET—Tube socket for V1, 12BE6 non- mechanized, see RJS-162	
RJS-190		SOCKET—Tube socket for V3, V4, V5, RJS-163	
*ROP-022		LOUSPEAKER—4-inch PM	4.90
*RWL-009		CORD—A-C power cord and plug, brown, for Model 514 or 542	.70

MISCELLANEOUS ELECTRICAL (Cont'd)

*RWL-116		CORD—A-C power cord and plug, ivory, for Model 543	\$0.75
RZC-021		CLOCK ASSEMBLY—60 cycles, 105-125 v. for Models 542, 543	17.25
*RZC-022		CLOCK ASSEMBLY—60 cycles, 105-125 v. for Model 514	13.00

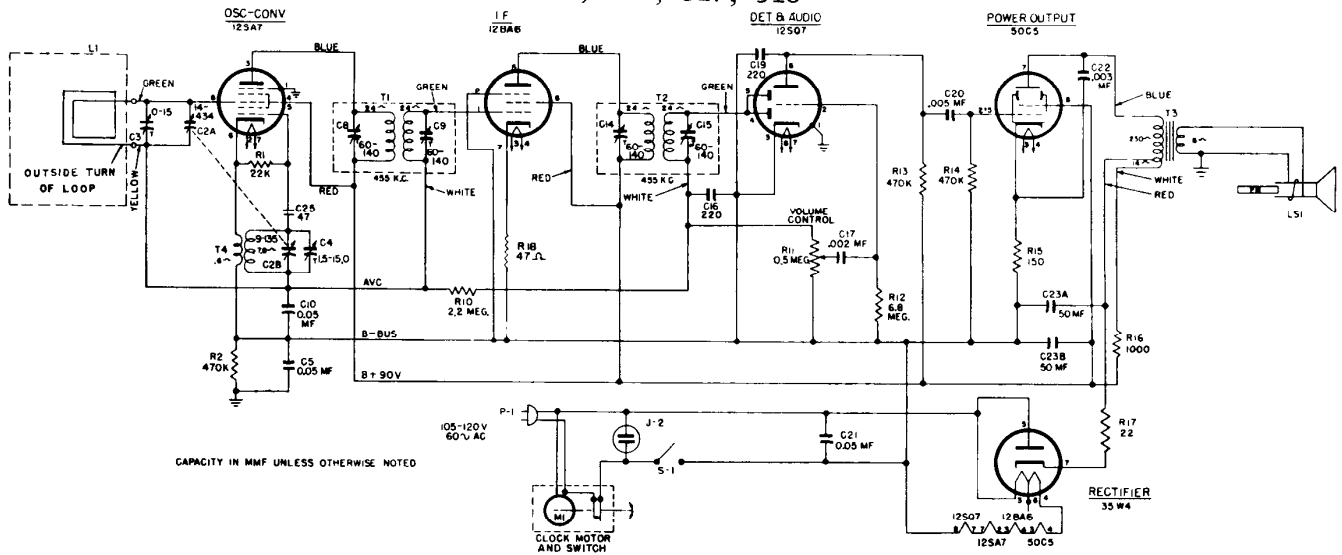
MISCELLANEOUS MECHANICAL

RAC-102		BRACKET—Clock mounting bracket, plas- tic	.75
*RDK-230		KNOB—For volume control (ivory)	.15
*RDK-246		DIAL—Tuning, brown, gold numerals, for Model 514	.60
*RDK-285		DIAL—Tuning, red, for Models 542, 543.	.60
*RHC-024		CLIP—For mounting electrolytic capacitor	.10
*RHC-034		CLIP—Fastener to hold 1st and 2nd I-F transformer can to chassis	.05
*RHG-015		GROMMET—Rubber grommet used to in- sulate and shock mount tuning cap.	.05
*RHH-004		FASTENER—Snap on type for holding back to cabinet on Model 514	.02
*RHJ-005		SPACER—Metal spacer, bushing in grommet mounting tuning capacitor	.02
*RHS-075		SCREW—No. 6 self tapping 3/8 in. long, used to hold chassis to cabinet	.02
*RHS-085		SHIELD—Metal tube shield for V2, 12AV6 mechanized production, see RHS-110	.15
*RHS-093		SHIELD—Plastic cover over tube socket for terminal board (mechanized pro- duction only)	.75
RHS-110		SHIELD—Metal tube shield for V2, 12AV6 nonmechanized production, see RHS-085.	
RMC-002		CLIP—Oscillator coil mounting	.02
*RMS-214		SPRING—Retaining ring for hub of tuning dial	.05

CABINETS AND CABINET PARTS

*RAB-150		CABINET BACK—Includes loop antenna, L1, for Model 542, 543	1.25
*RAB-151		CABINET BACK—Includes loop antenna, L1, for Model 514	1.25
*RAG-033		CLOTH—Cabinet grille cloth, dark maroon; for Model 542	.30
*RAG-034		CLOTH—Cabinet grille cloth, ivory; for Model 543	.30
*RAU-338		CABINET—Brown mottle, plastic; for Mod- el 542	4.95
*RAU-339		CABINET—Ivory, plastic; for Model 543.	4.95
*RAU-346		CABINET—Mahogany mottle, plastic; for Model 514	5.45
*RYN-005		NAMERPLATE—O-E monogram for Model 514 cabinet	.20

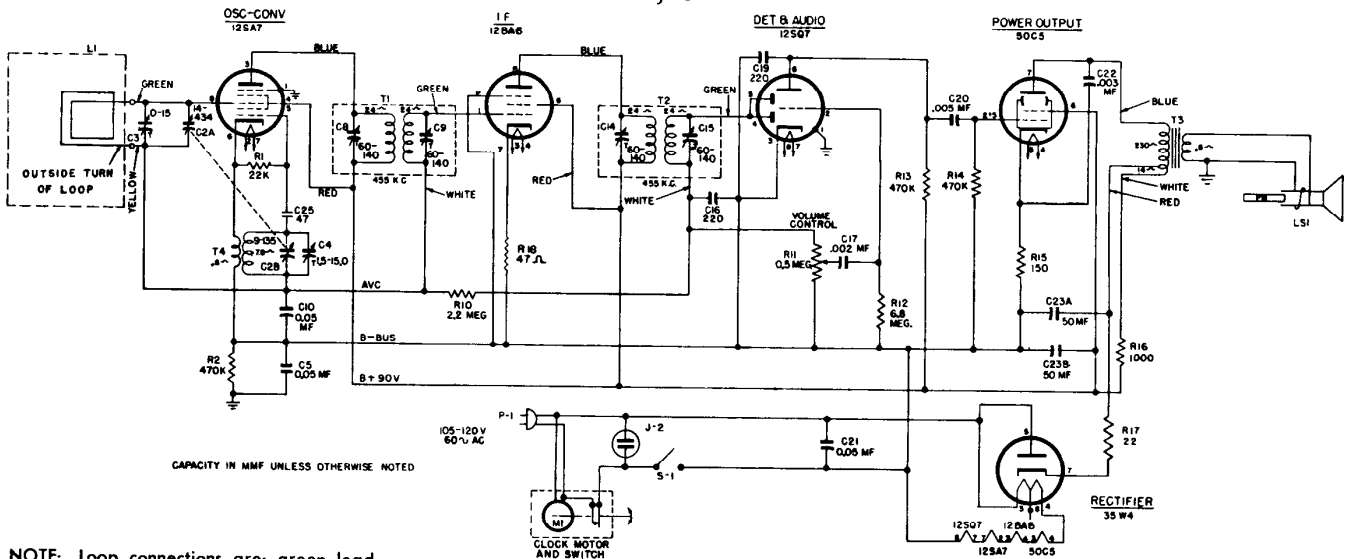
MODELS 515, 516, 517, 518



REPLACEMENT PARTS LIST—MODELS 515, 516, 517 AND 518

Cat. No.	Symbol	Description	Sug- gested Unit List Price	Cat. No.	Symbol	Description	Sug- gested Unit List Price
UNIVERSAL RADIO PARTS							
*UCC-036	C17	CAPACITOR—.002 mf., 600 v., paper (see paragraph, page 5)	\$0.25	RCT-045		CAPACITOR—(420-126 mmf.) tuning	
*UCC-037	C22	CAPACITOR—.003 mf., 600 v., paper	.25	*RCW-3013	C16, C17, C19, C20	CAPACITOR—220 mmf., .002 mf., 220 mmf., .005 mf., Ceramic (bullplate)	1.00
*UCC-039	C20	CAPACITOR—.005 mf., 600 v., paper, (see paragraph, page 5)	.25	RDK-215		KNOB—Volume control—For Model 518	
*UCC-045	C5, C10, C21	CAPACITOR—.05 mf., 600 v., paper	.30	*RDK-217		KNOB—Dial tuning—For Models 515, 516, 517	
*UCG-1020	C25	CAPACITOR—47 mmf., silver mica	.25	*RDK-218		KNOB—Volume control—For Models 516, 517, 518	
*UCU-1036	C16, C19	CAPACITOR—220 mmf., mica (see paragraph, page 5)	.25	RDK-219		KNOB—Dial tuning—For Model 518	
*URD-009	R17	RESISTOR—22 ohms, ½ w., carbon	.13	*RHC-017		COIL CLIP—For oscillator coil	.05
*URD-017	R18	RESISTOR—47 ohms, ½ w., carbon	.13	*RHC-024		CONDENSER CLIP—For mounting electrolytic, C23	.10
*URD-029	R15	RESISTOR—150 ohms, ½ w., carbon	.13	*RHG-015		GROMMET—Tuning capacitor mounting	.05
*URD-081	R1	RESISTOR—22,000 ohms, ½ w., carbon	.13	*RHI-010		STRAIN RELIEF—Grommet in chassis for power cord	.15
*URD-113	R2, R13, R14	RESISTOR—470,000 ohms, ½ w., carbon	.13	*RHJ-005		SPACER—Tuning capacitor mounting	.02
*URD-129	R10	RESISTOR—2.2 meg., ½ w., carbon	.13	*RHS-043		BRACKET—For receptacle J2 and switch S1	.25
*URD-141	R12	RESISTOR—6.8 meg., ½ w., carbon	.13	*RJC-004		CLIP—Loop connector lead clip	.02
*URF-049	R16	RESISTOR—1000 ohms, 2 w., carbon	.25	*RJJ-008	J2	RECEPTACLE—Appliance outlet (rear of receiver)	.35
SPECIALIZED RADIO PARTS							
RAB-130		CABINET BACK—includes antenna loop, L1		*RJS-092		TUBE SOCKET—For 50C5, 35W4	.20
*RAC-060		BOTTOM SHIELD—Metal plate, covers bottom of chassis	\$0.02	*RJS-116		TUBE SOCKET—For 12SA7	.20
RAC-085		CLOCK MOUNTING BRACKET ASSEMBLY—Clock back cover	.35	*RJS-117		TUBE SOCKET—For 12SQ7	.15
RAG-033		GRILLE CLOTH ASSEMBLY—For speaker grille on models 515, 517	.30	RJS-141		TUBE SOCKET—For 12BA6 (7 Pin)	.20
RAG-034		GRILLE CLOTH ASSEMBLY—For speaker grille on Model 516	.30	*RLC-090	T4	OSCILLATOR COIL	.90
RAG-035		GRILLE CLOTH ASSEMBLY—For speaker grille on Model 518		*RMS-214	R11	SPRING CLIP—Locks drum dial to shaft	.05
RAU-338		CABINET—Model 515 (brown)		*RRC-054		POTENTIOMETER—0.5 meg., volume control	1.25
RAU-339		CABINET—Model 516 (ivory)		*RSW-067	S1	SWITCH—ON-OFF switch	.75
RAU-340		CABINET—Model 517 (maroon)		*RTL-094	T1	TRANSFORMER—1st I.-F.	1.90
RAU-341		CABINET—Model 518 (white)		*RTL-095	T2	TRANSFORMER—2nd I.-F.	1.90
RCE-116	C23, A & B	CAPACITOR—50-50 mf., 150 v., electrolytic	1.85	RTO-036	T3	TRANSFORMER—Output transformer	2.85
				*RWL-009		CORD SET—(brown) for Models 515, 517	.70
				*RWL-016		CORD SET—(ivory) for Model 516	.75
				RWL-024		CORD SET—(white) for Model 518	.75
				*RZC-009		CLOCK—60 cycles, 105-125 v., clock assembly for Models 515, 516, 517	12.95
				*RZC-011		CLOCK—60 cycles, 105-125 v., clock assembly for Model 518	12.95
				*S400C		SPEAKER—4" PM loudspeaker	4.95

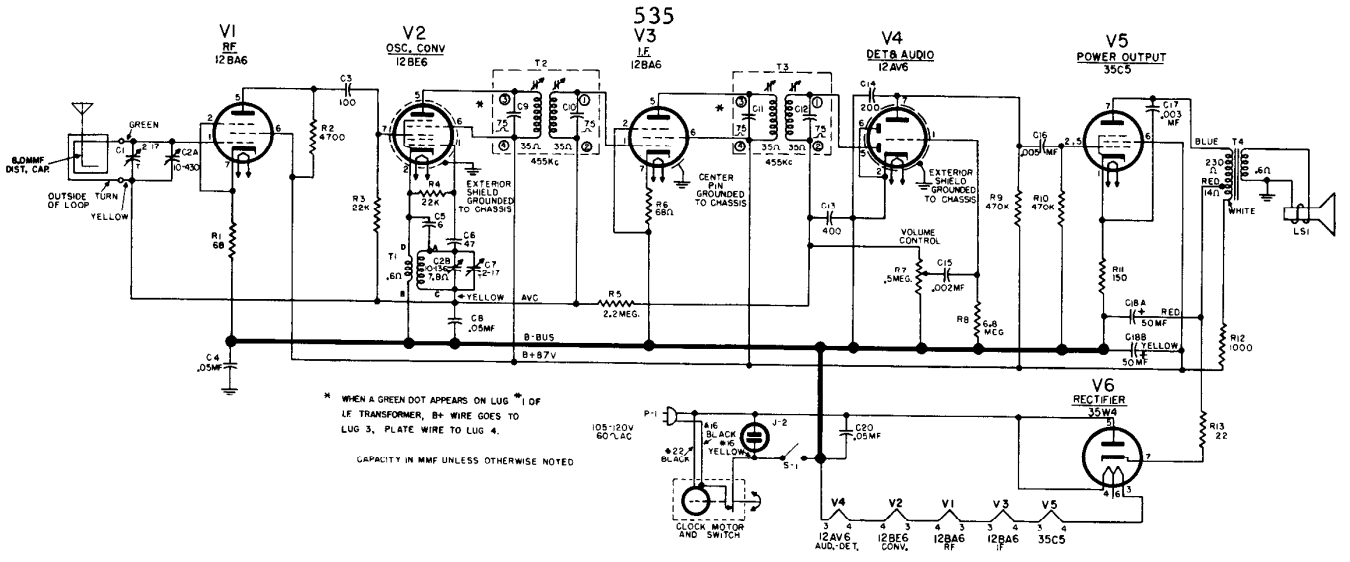
MODELS 521, 522



NOTE: Loop connections are: green lead to inside turn of antenna loop, yellow lead to outside turn.

RADIO REPLACEMENT PARTS LIST 521,522

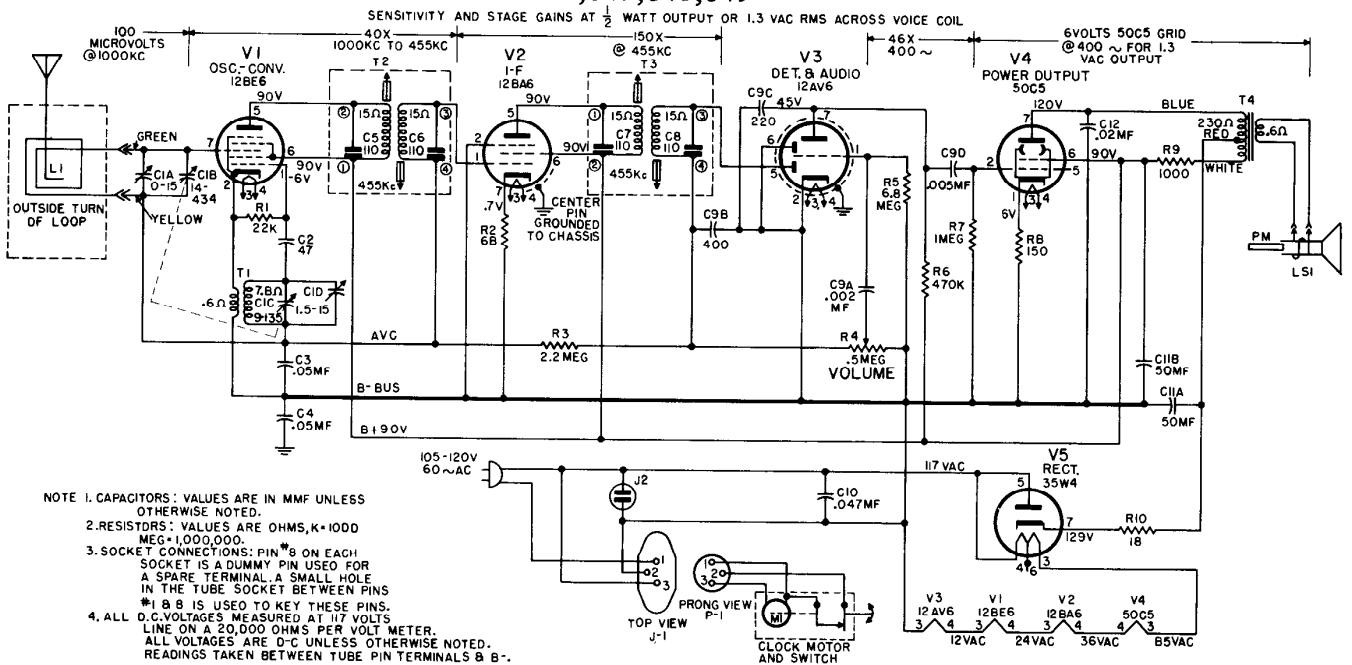
Cat. No.	Symbol	Description	Sug- gested Unit List Price	Cat. No.	Symbol	Description	Sug- gested Unit List Price
UNIVERSAL REPLACEMENT PARTS				SPECIALIZED REPLACEMENT PARTS (Cont.)			
*UCC-036	C17	CAPACITOR—.002 mf., 600 v., paper	\$0.25	RDK-218		KNOB—Volume control knob	
*UCC-039	C20	CAPACITOR—.005 mf., 600 v., paper	.25	*RDS-090		DIAL SCALE—Paper scale	\$0.10
*UCC-045	C5, 10, 21	CAPACITOR—.05 mf., 600 v., paper (will replace respective sections of RCW-3013).	.30	*RHC-017		CLIP—For mounting osc. coil, T4	.05
*UCU-1036	C16, 19	CAPACITOR—220 mmf., mica	.25	*RHC-024		CLIP—For mounting C23	.10
*URD-009	R17	RESISTOR—22 ohms, 1/2 w., carbon	.13	*RHG-015		GROMMET—For tuning cond.	.05
*URD-017	R18	RESISTOR—47 ohms, 1/2 w., carbon	.13	*RHH-004		FASTENER—Snap fastener for holding back	.02
*URD-029	R15	RESISTOR—150 ohms, 1/2 w., carbon	.13	*RHI-010		STRAIN RELIEF GROMMET—For power cord	.15
*URD-081	R1	RESISTOR—22,000 ohms, 1/2 w., carbon	.13	*RHJ-005		SPACER FOR TUNING CONDENSER	.02
*URD-113	R2, 13, 14	RESISTOR—470,000 ohms, 1/2 w., carbon	.13	*RHS-043		PLUG AND SWITCH MOUNTING BRACKET—For J2 and S1	.25
*URD-129	R10	RESISTOR—2.2 meg., 1/2 w., carbon	.13	*RJC-004		CLIP—Loop connector clip	.02
*URD-141	R12	RESISTOR—6.8 meg., 1/2 w., carbon	.13	RJJ-008	J2	APPLIANCE RECEPTACLE	.35
*URF-049	R16	RESISTOR—1000 ohms, 2 w., carbon	.25	*RJS-092		SOCKET—Tube socket for 50C5, 35W4	.20
SPECIALIZED REPLACEMENT PARTS				*RJS-116		SOCKET—Tube socket for 12SA7	.15
RAB-135	L1	BACK—Cabinet back cover (includes loop L1)		*RJS-117		SOCKET—Tube socket for 12SQ7	.15
*RAC-085		MOUNTING BRACKET—Metal back cover holds clock to cabinet	\$0.45	*RJS-141		SOCKET—For 12BA6 tube, 7 pin	.20
RAU-342		CABINET—Dark mahogany, Model 521		*RLC-090	T4	COIL—Oscillator coil	.20
RAU-343		CABINET—Blond mahogany, Model 522		*RMS-205		SLEEP CONTROL BOOSTER SPRING	.20
*RCC-074	C22	CAPACITOR—.003 mf., 600 v., paper	.25	*RRC-054	R11	POTENTIOMETER—0.5 meg., volume control	1.25
*RCE-116	C23A, B	CAPACITOR—50 mf., 150 v.; 50 mf., 150 v., dry electrolytic		RSW-067	S1	SWITCH—ON-OFF Switch	.75
*RCT-045	C2A, 2B C3, 4	CAPACITOR—Tuning capacitor (oscilla- tor and r-f-section)		*RTL-094	T1	TRANSFORMER—1st I-F transformer	1.90
*RCW-1043	C25	CAPACITOR—47 mmf., ceramic	.60	*RTL-095	T2	TRANSFORMER—2nd I-F transformer	1.90
*RCW-3013	C16, 17, 19, 20	CAPACITOR—220 mmf., .002 mf., 220 mmf., .005 mf. (4 section ceramic)	1.00	RTO-036	T3	TRANSFORMER—Output transformer	2.85
RDK-217		KNOB—Tuning dial wheel. Does not in- clude dial scale, see item RDS-090		*RWL-009		CORD—Power cord (brown)	.70
				*RYN-005		NAMEPLATE G.E. MONOGRAM	.20
				*RZC-009	M1	CLOCK—60 cycle, 105-125 v., clock as- sembly	12.95
				*S400C	LS1	SPEAKER—PM loudspeaker	4.95



REPLACEMENT PARTS LIST—MODEL 535

Cat. No.	Symbol	Description	Unit Price	Cat. No.	Symbol	Description	Unit Price
RAB-157		BACK—Cabinet back and loop antenna	\$1.50	ROP-021		SPEAKER—4-inch PM loudspeaker	\$4.90
RAC-090		COVER—Metal cover for clock mechanism	.75	*RSW-067	S1	SWITCH—ON-OFF switch (slide type)	.75
RAC-091		SHIELD—Metal plate shields bottom of chassis	.35	*RTL-117	T2, 3	TRANSFORMER—1st or 2nd I-F transformer	1.70
RAG-040		CLOTH—Maroon grille cloth mounted on cardboard	.35	RTO-100	T4	TRANSFORMER—Output transformer	1.80
RAU-347		CABINET—Mahogany plastic cabinet for Model 535	5.95	*RWL-025	P1	CORD—Brown heavy-duty AC power cord	.75
*RDC-032		CORD—Dial cord (25 yards bulk)	2.50	†RZC-013		CLOCK ASSEMBLY—Includes all appearance items, less metal cover	12.95
RDE-109		BEZEL—Dial window escutcheon bezel	1.10	RESISTORS			
RZK-006		KNOB—Alarm set knob (fawn)	.10	RRC-153	R7	POTENTIOMETER—0.5 meg., volume control	1.25
RDK-243		KNOB—Volume control and tuning knob (fawn)	.15	*URD-009	R13	RESISTOR—22 ohms, 1/2 w., carbon	.13
RZK-007		KNOB—Sleep and manual switch knob (fawn with white dot)	.10	*URD-021	R6	RESISTOR—68 ohms, 1/2 w., carbon	.13
RDP-059		POINTER—Dial pointer	.45	*URD-29	R11	RESISTOR—150 ohms, 1/2 w., carbon	.13
RDS-104		SCALE—Dial scale and mounting plate	1.10	*URD-065	R2	RESISTOR—4700 ohms, 1/2 w., carbon	.13
RDW-046		WINDOW—Dial window	.40	*URD-081	R3, 4	RESISTOR—22K ohms, 1/2 w., carbon	.13
*RHC-024		CLIP—Electrolytic capacitor mounting clip	.10	*URD-113	R9, 10	RESISTOR—470K ohms, 1/2 w., carbon	.13
*RHC-034		CLIP—I-F transformer mounting clip	.05	*URD-129	R5	RESISTOR—2.2 meg., 1/2 w., carbon	.13
RHC-048		CLIP—Dial scale mounting clip	.05	*URD-141	R8	RESISTOR—6.8 meg., 1/2 w., carbon	.13
*RHG-015		GROMMET—Tuning gang mounting grommet	.05	*URF-049	R12	RESISTOR—1000 ohms, 2 w., carbon	.25
*RHI-010		INSULATOR—Power cord strain relief insulator	.15	CAPACITORS			
*RHJ-005		SPACER—Tuning gang mounting spacer	.02	*RCC-108	C17	CAPACITOR—.003 mf., 600 v., paper	.25
*RHS-048		SHIELD—Short tube shield for converter V2	.20	*RCE-127	C18A, B	CAPACITOR—50-50 mf. @ 150 v., electrolytic capacitor	1.85
*RHS-073		SHIELD—Tube socket pin cover shield	.10	*RCN-053	C4, 7	CAPACITOR—.047 mf., 600 v., paper	.35
*RHS-074		SHIELD—Terminal board cover shield	.10	RCT-050	C1, C2A, B, C7	CAPACITOR—126 and 420 mmf., tuning capacitor and trimmers	3.25
*RHS-075		SCREW—Chassis mounting screw	.02	*RCW-3048	C13, 14, 15, 16	CAPACITOR—400 mmf., .002 mf., 220 mmf., .005 mf., ceramic "bulplate"	.90
RHS-085		SHIELD—1 3/4" long tube shield for 2nd detector V4	.10	RCW-3049		CAPACITOR—6 mmf. ±10%, ceramic	.35
*RJC-004		CONNECTOR—Loop lead connector	.02	*UCC-045	C20	CAPACITOR—.05 mf., 600 v., paper	.30
*RJJ-008	J2	OUTLET—110 v., appliance outlet	.35	*UCG-020	C6	CAPACITOR—47 mmf., 500 v., silver mica	.35
*RJS-158		SOCKET—V3 (I-F) tube socket with center shield pin	.35	*UCG-028	C3	CAPACITOR—100 mmf., 500 v., silver mica	.25
*RJS-162		SOCKET—V2 (conv.) impregnated tube socket	.30				
*RJS-163		SOCKET—V1, V4, V5 and V6 tube socket	.30				
RLC-110	T1	TRANSFORMER—Oscillator transformer	.90				
RMC-002		CLIP—Oscillator coil mounting clip	.01				
RMS-243		SPRING—Dial cord tension spring	.10				
RMX-180		SHAFT—Tuning shaft and bushing assembly	.45				

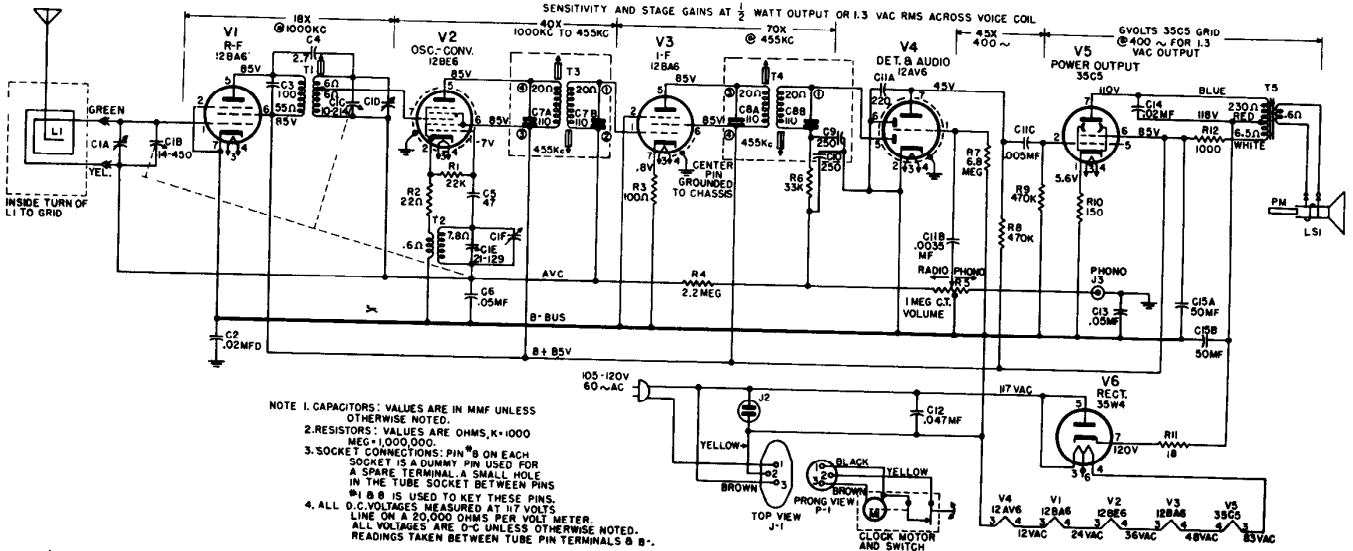
546, 547, 548, 549



RADIO REPLACEMENT PARTS LIST FOR MODELS 546, 547, 548 AND 549

Cat. No.	Symbol	Description	Unit Price	Cat. No.	Symbol	Description	Unit Price
CAPACITORS				MISCELLANEOUS MECHANICAL			
RCE-149	C11A, B	50-50 mf., 150 v., electrolytic	\$2.00	RAC-117		COVER—Plastic cover mounts over rear of clock	\$0.50
*RCN-053	C10	.047 mf., ±20%, 600 v., molded paper	.35	RAC-118		COVER—Over all socket pins, 10 1/4 x 1 1/2 inches (some receivers use individual doughnut shaped shields, RHS-073)	1.00
RCT-063	C1A, B, C, D	Tuning, two gang	3.75	*RDC-032		DIAL CORD—25 yds bulk	2.50
*RCW-3048	C9A, B, C, D	.002 mf., 400 mmf., 220 mf., .005 mf., ceramic	.90	RDK-294		KNOB—On-Off-Volume or tuning, fawn; for Model 546	.20
RCW-3075	C2	47 mmf., ±20%, 500 v., ceramic	.25	RDK-295		KNOB—On-Off-Volume or tuning, ivory; for Model 547 or 548	.25
*UCC-041	C12	.02 mf., 600 v., paper	.25	RDK-296		KNOB—On-Off-Volume or tuning, white; for Model 549	.20
*UCC-045	C3, 4	.05 mf., 600 v., paper	.30	RDP-074		POINTER—Dial scale pointer and slider, metal, red	.20
RESISTORS				RDS-119		DIAL SCALE—Plastic	.60
RRC-198	R4	Volume control, 500 K, composition	1.35	*RHC-024		CLIP—1/2 in. mounting clip for C11	.10
*URD-007	R10	18 ohms, 1/2 w., carbon	.13	*RHC-053		CLIP—For mounting i-f transformers, T2 or T3	.02
*URD-021	R2	68 ohms, 1/2 w., carbon	.13	*RHG-018		GROMMET—Rubber, for mounting tuning capacitor C1	.05
*URD-029	R8	150 ohms, 1/2 w., carbon	.13	*RHI-010		GROMMET—Power cord	.15
*URD-081	R1	22 K, 1/2 w., carbon	.13	*RHJ-005		SPACER—Metal, for mounting C1	.02
*URD-113	R6	470 K, 1/2 w., carbon	.13	*RHS-041		SCREW—No. 6 x 1/4 in., thread cutting, for mtg. loudspeaker	.02
*URD-121	R7	1 meg., 1/2 w., carbon	.13	*RHS-060		SCREW—No. 6 x 1/4 in., self tapping, mounts chassis bottom plate	.01
*URD-129	R3	2.2 meg., 1/2 w., carbon	.13	*RHS-073		SHIELD—Over soldered pin connections of tube socket (some receivers use one-piece cover), RAC-118, over all sockets	.10
*URD-141	R5	6.8 meg., 1/2 w., carbon	.13	*RHS-085		SHIELD—Metal tube shield for 12AV6 tube	.10
*URF-049	R9	1000 ohms, 2 w., carbon	.25	*RMC-002		CLIP—Osc. coil mounting	.05
COILS AND TRANSFORMERS				*RMS-118		SPRING—Dial cord tension	.10
RLC-119	T1	COIL—Oscillator coil	.90	RMS-217		TUNING SHAFT ASSEMBLY—Metal tuning shaft assembly 1 1/2 x 1/4 in., includes bushing, "C" washers and pulley	.05
*RTL-135	T2, 3	TRANSFORMER—1st or 2nd i-f	1.90	CABINET AND CABINET PARTS			
*RTO-100	T4	TRANSFORMER—Audio output	1.80	RAB-194		LOOP L1 AND BACK—Antenna loop and cabinet back	1.70
MISCELLANEOUS ELECTRICAL				RAG-049		GRILLE CLOTH ASSEMBLY—Maroon, pasteboard mounted; for Model 546	.45
*RJC-004		CONNECTOR—Female connector, fits on male speaker connector	.02	RAG-050		GRILLE CLOTH ASSEMBLY—Red, pasteboard mounted; for Model 548	.45
RJJ-008	J2	RECEPTACLE—A-c power	.35	RAG-051		GRILLE CLOTH ASSEMBLY—Ivory, pasteboard mounted; for Model 547	.45
RJP-045	P1	PLUG—Three prong, with shell, for clock connection	.15	RAG-052		GRILLE CLOTH ASSEMBLY—White, pasteboard mounted; for Model 549	.45
*RJS-158		SOCKET—Tube socket, miniature 7-pin, for V2	.35	RAU-365		CABINET—Plastic, mottled mahogany finish; for Model 546	7.25
*RJS-163		SOCKET—Tube socket, miniature 7-pin; for V3, V4 or V5	.30	RAU-366		CABINET—Plastic, red finish; for Model 548	8.50
*RJS-162		SOCKET—Tube socket, miniature 7-pin, for V1	.30	RAU-367		CABINET—Plastic, ivory finish; for Model 547	8.50
RJS-181	J1	SOCKET—Three prong socket on top of chassis for clock connection	.15	RAU-368		CABINET—Plastic, white, finish; for Model 549	8.50
*RWL-024		POWER CORD—A-c cord and plug, white; for Model 549	.75				
*RWL-025		POWER CORD—A-c cord and plug, brown; for Model 546 or 548	.75				
*RWL-026		POWER CORD—A-c cord and plug, ivory; for Model 547	.75				
RZC-023	M1	CLOCK ASSEMBLY—60 cycles, lese bezel and crystal	15.50				
*S-403D-7	LS1	LOUDSPEAKER—4-in. PM	4.30				

MODELS 551, 552



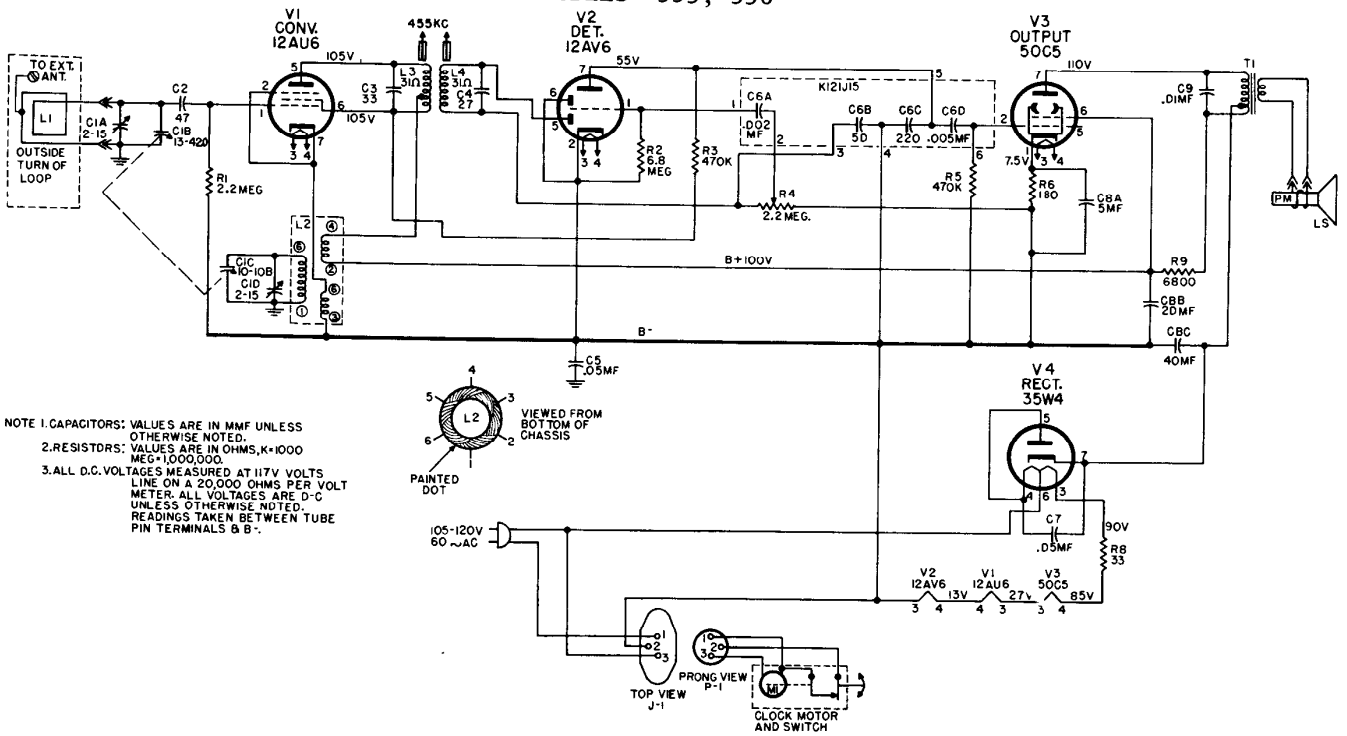
RADIO REPLACEMENT PARTS LIST FOR MODELS 551 AND 552

Cat. No.	Symbol	Description	Unit Price	Cat. No.	Symbol	Description	Unit Price
CAPACITORS				MISCELLANEOUS MECHANICAL			
*RCE-149	C15A, B	CAPACITOR—50-50 mf., 150 v., electrolytic	\$2.00	*RDC-032		DIAL CORD—25 yards bulk	\$2.50
*RCN-053	C12	CAPACITOR—.047 mf., ±10%, 600 v., paper, molded	.35	RDK-297		KNOB—Tuning, fawn; for Model 551	.20
RCT-064	C1A, B, C, D, E, F	CAPACITOR—Tuning, three gang	4.75	RDK-298		KNOB—Tuning, green; for Model 552	.20
*RCW-3036	C11A, B, C	CAPACITOR—220 mmf., .0035 mf., .005 mf.; ceramic couplate	.80	RDK-318		KNOB—On-Off-Volume, fawn; for Model 551	
RCW-3039	C4	CAPACITOR—2.7 mmf., ±20%; ceramic	.25	RDK-319		KNOB—On-Off-Volume, green; for Model 552	
*RCW-3075	C5	CAPACITOR—47 mmf., ±20%, 500 v.; ceramic	.25	*RDP-074		POINTER—Dial scale pointer and slider, metal, red	.20
RCW-3079	C3	CAPACITOR—100 mmf., ±20%, 500 v.; ceramic	.25	*RHC-024		CLIP— $\frac{1}{8}$ inch for mounting electrolytic C11	.10
*UCC-041	C2, 14	CAPACITOR—.02 mf., 600 v.; paper	.25	*RHG-018		GROMMET—Rubber, for mounting tuning capacitor, C1	.05
*UCC-045	C6, 13	CAPACITOR—.05 mf., 600 v.; paper	.30	*RHI-010		GROMMET—Power cord strain relief in chassis back apron	.15
RESISTORS				*RHJ-005		SPACER—Metal, for mounting tuning capacitor, C1	.02
RRC-199	R5	RESISTOR—Volume, 500 K, center tapped, composition	1.25	*RHS-041		SCREW—No. 6 x $\frac{3}{8}$ inch thread cutting; for met. loudspeaker or escutcheon RDE-141	.02
*URD-009	R2	RESISTOR—22 ohms, $\frac{1}{2}$ w, carbon	.13	RHS-048		SHIELD—Metal shield, $1\frac{1}{4}$ -in. long, for 12BE6 tube	.15
*URD-007	R11	RESISTOR—18 ohms, $\frac{1}{2}$ w, carbon	.13	*RHS-060		SCREW—No. 6 x $\frac{1}{4}$ in. self tapping, mounts chassis bottom plate	.01
*URD-025	R3	RESISTOR—100 ohms, $\frac{1}{2}$ w, carbon	.13	*RHS-073		SHIELD—Doughnut shaped cover over soldered pin connections of tube socket	.10
*URD-029	R10	RESISTOR—150 ohms, $\frac{1}{2}$ w, carbon	.13	*RHS-085		SHIELD—Metal shield, for 12AV6 tube	.10
*URD-081	R1	RESISTOR—22 K, $\frac{1}{2}$ w, carbon	.13	*RJC-004		CONNECTOR—Female connector, fits on male loudspeaker connector	.02
*URD-085	R6	RESISTOR—33 K, $\frac{1}{2}$ w, carbon	.13	*RJJ-008	J2	RECEPTACLE—A-c power receptacle mounted on chassis	.35
*URD-113	R8, 9	RESISTOR—470 K, $\frac{1}{2}$ w, carbon	.13	RJP-045	P1	PLUG—Three-prong, with shell, for clock connection	.15
*URD-129	R4	RESISTOR—2.2 meg., $\frac{1}{2}$ w, carbon	.13	RJS-182	J3	RECEPTACLE—Phono input jack, single pin	.15
*URD-141	R7	RESISTOR—6.8 meg., $\frac{1}{2}$ w, carbon	.13	*RMC-002		CLIP—Oscillator coil mounting	.05
*URF-049	R12	RESISTOR—1000 ohms, 2 w, carbon	.25	*RMS-118		SPRING—Dial cord tension spring	.10
COILS AND TRANSFORMERS				RMW-070		PULLEY—On volume control shaft	.05
RLB-034	T1	TRANSFORMER—RF to converter coupling	1.35	RMX-217		TUNING SHAFT—Includes bushing, "C" washers	.70
RLC-121	T2	TRANSFORMER—Oscillator grid-cathode	1.00	RDS-120		Dial Scale	
*RTL-135	T3	TRANSFORMER—1st IF	1.90	CABINET AND CABINET PARTS			
*RTL-136	T4	TRANSFORMER—2nd IF	1.80	RAB-195	L1	LOOP AND BACK—Antenna loop and cabinet back	1.70
*RTO-100	T5	TRANSFORMER—Audio output	1.80	RAC-119		COVER—Plastic cover, mounts over rear of clock	.50
MISCELLANEOUS ELECTRICAL				RAG-049		GRILLE CLOTH—Pasteboard mounted, fawn; for Model 551	.45
*RJS-158		SOCKET—Miniature, 7 pin for V3	.35	RAG-053		GRILLE CLOTH—Pasteboard mounted, gray; for Model 552	.50
*RJS-162		SOCKET—Miniature, 7 pin for V2	.30	RAU-369		CABINET—Plastic, mottled mahogany finish; for Model 551	.50
*RJS-163		SOCKET—Miniature, 7 pin for V1, V4, V5 and V6	.30	RAU-370		CABINET—Plastic, pearl gray finish; for Model 552	8.50
RJS-181	J1	SOCKET—3 pin wafer for clock connection	.15	RDE-141		ESCUTCHEON—Clock and radio dial scale escutcheon	3.95
*RWL-025		POWER CORD—A-c cord and plug, brown	.75				
RZC-024	M1	CLOCK ASSEMBLY—60 cycles, less knobs and crystal	15.50				
S400D7	LS1	LOUDSPEAKER—4 inch PM, 4 watts, 3.2 ohms @ 400 cycles	5.70				

* Used on previous receivers.

PRICES ARE SUGGESTED LIST PRICES AND SUBJECT TO CHANGE WITHOUT NOTICE

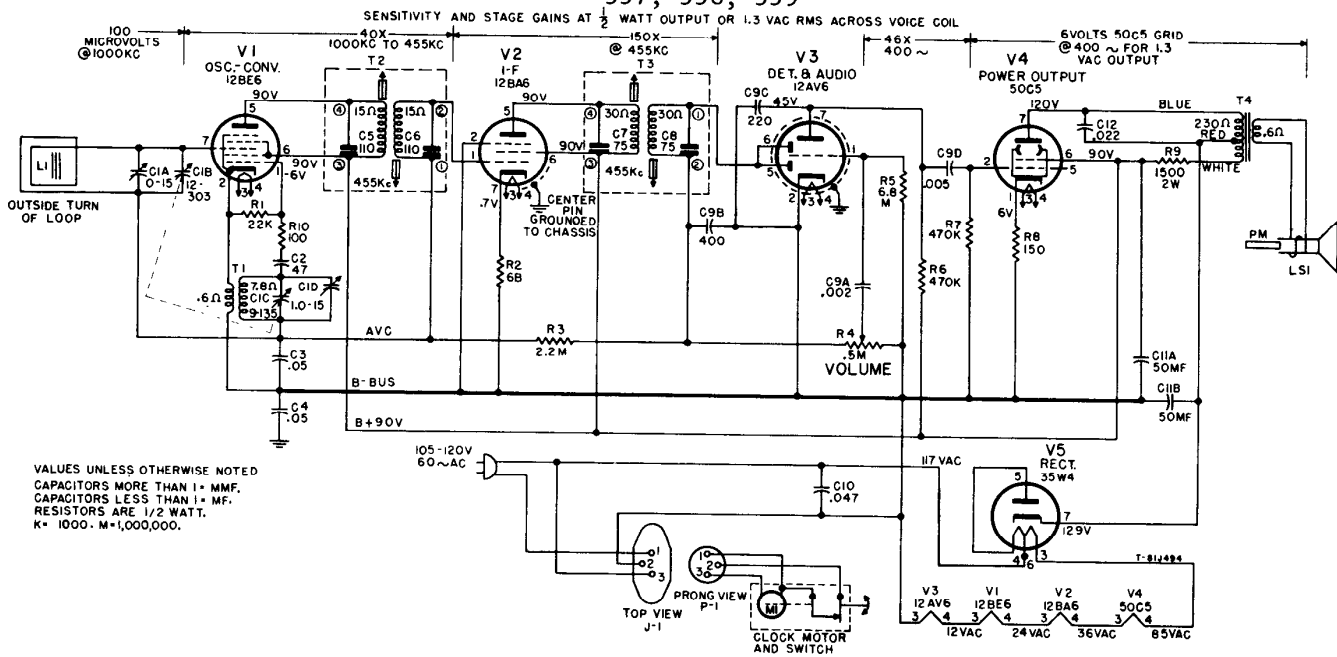
MODELS 555, 556



REPLACEMENT PARTS LIST FOR MODEL 555 AND 556 CLOCK-RADIO RECEIVERS

Cat. No.	Symbol	Description	Unit Price	Cat. No.	Symbol	Description	Unit Price
CAPACITORS				MISCELLANEOUS ELECTRICAL (CONT'D)			
*RCE-158	C8A, B, C	40-20 mf., 150 v., 5 mf., 25 v., electrolytic	\$2.25	RZC-027		CLOCK—Assembly only, no mounting rings or crystal, alarm dial white on red background, hour and minute hand black, second hand white, time set and alarm set on back, dual control, Mfg. No. C87G5	\$11.50
*RCT-068	C1A, B, C, D	Tuning, two-gang with trimmers	3.75	RZC-028		CLOCK—Assembly only, no mounting rings or crystal, alarm set hand red, hour and minute hands black, second hand white, time set and alarm set on back, single control, Mfg. No. C88G5	10.50
*RCW-3075	C2	47 mmf., ±20%, ceramic, 500 v.	.25	MISCELLANEOUS MECHANICAL			
RCW-3091	C6A, B, C, D	.002 mf., 50 mmf., 220 mmf., .005 mf. ceramic	.90	RDK-354		KNOB—Volume control, ivory, Model 556	\$0.30
*UCC-040	C9	.01 mf., +40% -10%, paper, 600 v.	.25	RDK-356		KNOB—Tuning, dark brown, with dial scale, Model 555	.40
*UCC-045	C5, 7	.05 mf., +40% -10%, paper, 600 v.	.30	RDK-357		KNOB—Volume control, dark brown, with brass insert, Model 555	.30
*UCU-1014	C4	27 mmf., ±20%, silver mica, 500 v.	.30	RDK-389		KNOB—Tuning, ivory with dial scale, Model 556	.40
*UCU-1016	C3	33 mmf., ±10%, silver mica, 500 v.	.35	*RHC-008		CLIP—1-inch, mounts C8A, E, C	.10
RESISTORS				*RHE-014		EYELET—Tube receptacle wafer mounting	.01
RRC-238	R4	VOLUME CONTROL—2.2 megohm	\$1.10	*RHI-017		GROMMET—Two-piece strain relief for power cord	.15
*URD-031	R6	180 ohms, ½ w., carbon	.13	*RHS-109		INSULATING SPACER—Black textolite in chassis tube holes	.20
*URD-069	R9	6800 ohms, ½ w., carbon	.13	*RHS-118		SHIELD PIN—Eyelet and soldering point, used to mount socket wafer, 12AU6	.05
*URD-113	R3, 5	470,000 ohms, ½ w., carbon	.13	*RMS-272		RING—Compression, for dial knob	.05
*URD-129	R1	2.2 megohms, ½ w., carbon	.13	RZK-016		KNOB—Dark brown, with pointer for slotted round shaft on RZC-027 clock	.05
*URD-141	R2	6.8 megohms, ½ w., carbon	.13	RZK-021		KNOB—Brown, with pointer, for flat shaft on RZC-028 clock	.10
*URF-013	R8	33 ohms, 2 w., carbon	.25	RZK-025		KNOB—Ivory, for flat shaft on RAC-028 clock	.10
COILS AND TRANSFORMERS				RZW-009		CRYSTAL—Clock crystal, plastic, with white numerals, Model 555	.35
*RLC-127	L2	COIL—Oscillator, 6-terminal, for autodyne circuit	\$1.15	RZW-011		CRYSTAL—Clock crystal, plastic, with brown numerals, Model 556	.40
*RTL-149	L4	TRANSFORMER—I-F coil, unshielded, single coil with tuning core	1.10	CABINETS AND CABINET PARTS			
*RTL-150	L3	TRANSFORMER—I-F coil, unshielded, single coil with tuning core	1.55	RAB-224		LOOP AND BACK	\$1.65
RTO-144	T1	TRANSFORMER—Audio output, tapped primary	2.50	RAC-136		COVER—Clock shield, plastic, protects clock RZC-027	.40
MISCELLANEOUS ELECTRICAL				RAC-141		COVER—Clock shield, plastic, protects clock RZC-028	.45
*RII-082		WAFER—Part of tube receptacle, 1½ in. dia.	\$0.05	RAG-059		GRILLE CLOTH—Assembly, white, with chipboard mounting ring, Model 555	.35
RII-089		BOARD—Sub-chassis, bare, no hardware or parts	.55	RAG-064		GRILLE CLOTH—Assembly, red, with chipboard mounting ring, Model 556	.35
RII-090		HEAT SHIELD—1 x 1 in. asbestos base phenolic shield between chassis tube hole spacer, RHS-109, and textolite sub-chassis	.05	RAU-388		CABINET—Plastic, ivory, for Model 555, no hardware or parts	8.50
*RJC-027		CONTACT—Dip solder contact, includes tube pin clip for tube receptacle	.03	RAU-402		CABINET—Plastic, red, for Model 556, no hardware or parts	8.50
*RJC-028		CONNECTOR—Dip solder terminal only, used on RLC-127 and as common connector	.02				
*RJJ-012	J1	SOCKET—3-pin, for clock plug	.10				
*RJP-051	P1	PLUG—3-pin, with shield, clock plug	.15				
*ROP-026		LOUDSPEAKER—4 in., PM, 3.2-ohm voice coil	5.10				
*RWL-016		POWER CORD—With plug, ivory, 6 ft. long	.75				

557, 558, 559



REPLACEMENT PARTS LIST FOR MODELS 557, 558 AND 559

Cat. No.	Symbol	Description	Unit Price	Cat. No.	Symbol	Description	Unit Price
CAPACITORS				MISCELLANEOUS MECHANICAL			
*RCE-160	C11A, B	50-50 mf., 150 v., electrolytic	\$2.10	*RHC-024		CLIP— $\frac{1}{8}$ -in. electrolytic mounting	\$0.10
*RCN-050	C12	.022 mf., 600 v., paper molded	.35	*RHC-080		CLIP—Holds Textolite sub-chassis	.10
*RCN-053	C10	.047 mf., $\pm 20\%$, 600 v., paper molded	.35	*RHE-014		EYELET—Tube receptacle wafer mounting	.01
*RCT-073	C1A, B, C, D	Tuning, two gang	3.50	*RHE-016		EYELET—I-F trans. wafer mounting	.01
*RCW-3048	C9A, B, C, D	Four capacitors in two sections, section one .002, $+100-0\%$, section two 400 mmf., 220 mmf., $+70\%-30\%$, .005 mmf., $+100-0\%$.90	*RHI-017		GROMMET—Two-piece strain relief for power cord	.15
*RCW-3075	C2	47 mmf., $\pm 20\%$, ceramic	.25	*RHS-040		SCREW—For mounting clock	.05
*UCC-045	C3, 4	.05 mf., 600 v., paper	.30	*RHS-084		SCREW—For mounting grille and speaker	.05
RESISTORS				*RHS-109		INSULATING SPACER—Black Textolite used in chassis tube holes	.20
*RRC-240	R4	VOLUME CONTROL—500,000 ohms	1.40	*RHS-110		TUBE SHIELD—Miniature tube shield metal, for 12AV6 tube	.15
*URD-021	R2	68 ohms, $\pm 10\%$, $\frac{1}{2}$ w.	.13	*RHS-118		EYELET—Eyelet and soldering point used to mount 1st i-f socket wafer 12BA6	.05
*URD-025	R10	100 ohms, $\pm 10\%$, $\frac{1}{2}$ w.	.13	*RHS-128		SHIELD—Fiber clock switch shield	.04
*URD-029	R8	150 ohms, $\pm 10\%$, $\frac{1}{2}$ w.	.13	*RII-081		WAFER—Part of I-F trans. receptacle	.05
*URD-081	R1	22,000 ohms, $\pm 10\%$, $\frac{1}{2}$ w.	.13	*RII-082		WAFER—Part of tube receptacle	.05
*URD-113	R6, 7	470,000 ohms, $\pm 10\%$, $\frac{1}{2}$ w.	.13	*RII-084		ANTENNA COVER—Polystyrene, molded, brown	.60
*URD-129	R3	2.2 megohms, $\pm 10\%$, $\frac{1}{2}$ w.	.13	*RII-088		BOARD—Sub-chassis, bare, no hardware or parts	.60
*URD-141	R5	6.8 megohms, $\pm 10\%$, $\frac{1}{2}$ w.	.13	*RII-090		HEAT SHIELD	.05
*URF-053	R9	1500 ohms, $\pm 10\%$, 2 w.	.25	*RMS-272		RING—Compression spring for knobs	.05
COILS AND TRANSFORMERS				*RMS-331		SPRING—To hold clock shield	.10
*RLC-122	T1	OSCILLATOR COIL	1.00	CABINET AND APPEARANCE ITEMS			
*RLL-055	L1	ANTENNA—Ferrite core, 300 uh inductance 7 in. long, $\frac{1}{2}$ in. dia.	1.50	*RAB-220		BACK—Cabinet back, less antenna and antenna cover	.20
*RTL-143	T2	TRANSFORMER—I-F, 1st	1.80	RAU-397		CABINET—Mahogany, Model 557	10.50
*RTL-163	T3	TRANSFORMER—I-F, 2nd	1.80	RAU-398		CABINET—Ivory, Model 558	10.50
*RTO-138	T4	TRANSFORMER—Audio output	2.50	RAU-399		CABINET—Green, Model 559	10.50
MISCELLANEOUS ELECTRICAL				RDK-379		KNOB—Tuning, with dial scale, ivory, Model 558	.85
*RJC-027		CONTACT—Dip solder contact includes tube pin clip for tube receptacle	.03	RDK-380		KNOB—Tuning, with dial scale, green, Model 559	.85
*RJC-028		CONNECTOR—For mounting oscillator and used as common solder point	.02	RDK-381		KNOB—Volume, ivory, Model 558	.35
*RJC-030		I-F CLIP—Dip solder contact and clip for I-F trans. spring brass connects pin 6-12BE6, pin 6-12BA6 and pin 6-12AV6	.02	RDK-382		KNOB—Volume, green, Model 559	.35
*RJC-031		I-F CLIP—Dip solder contact and clip for I-F trans. spring brass connects pin 5-12BE6 and pins 1-5-12BA6	.02	RDK-383		KNOB—Tuning, with dial scale, mahogany, Model 557	.80
*RJJ-012	J1	SOCKET—3-pin clock plus socket	.10	RDK-384		KNOB—Volume, mahogany, Model 557	.15
*RJP-051	P1	PLUG—3-pin plug and shield for clock	.15	RDO-003		PIN—Tuning indicator, Models 557, 558, 559	.02
*ROP-029		SPEAKER—4 in., 3.2-ohm voice coil with mounting bracket	4.90	RZK-017		KNOB—Clock, clear plastic, Models 557, 559	.10
*RWL-025		CORD—Heavy-duty type, brown power cord and plug, 6 ft. long, Models 557 and 559	.75	RZK-022		KNOB—Clock, ivory, Model 558	.10
*RWL-026		CORD—Ivory, power cord and plug, 6 ft. long, Model 558	.75	RZW-012		DIAL CRYSTAL—Clock, gold numbers, Model 558	.85
RZC-034		CLOCK—Model 558	14.60	RZW-016		DIAL CRYSTAL—Clock, white numbers, Models 557-9	.85
RZC-036		CLOCK—Models 557 and 559	14.60				

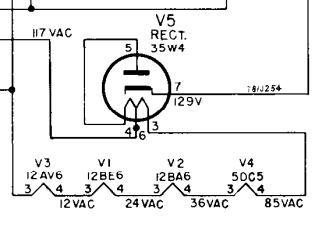
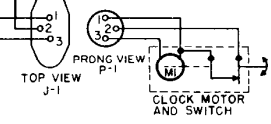
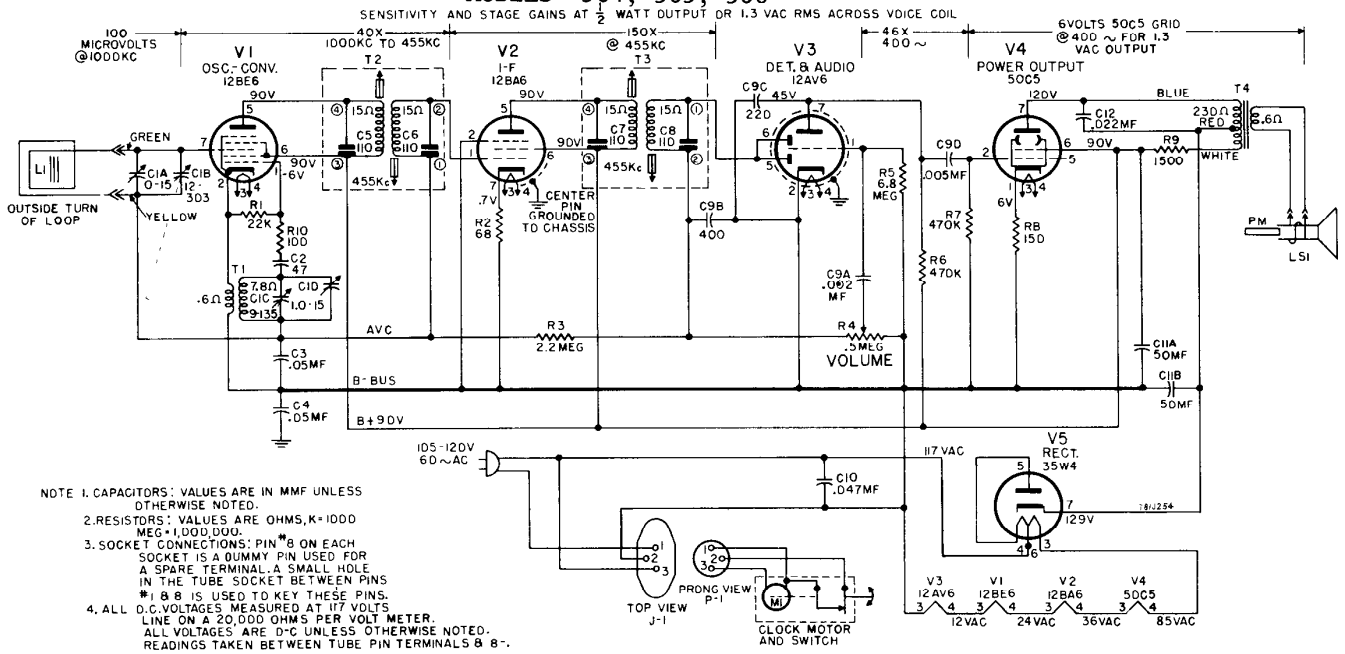
* Parts used on previous receivers.

PRICES ARE SUGGESTED LIST PRICES AND SUBJECT TO CHANGE WITHOUT NOTICE

REPLACEMENT PARTS LIST FOR MODELS 560 AND 561

Cat. No.	Symbol	Description	Unit Price	Cat. No.	Symbol	Description	Unit Price
CAPACITORS				MISCELLANEOUS ELECTRICAL (Cont'd)			
*RCE-160	C11A, B	50-50 mf., 150 v., electrolytic	\$2.10	*RJP-051	P1	PLUG—3-pin plug and shield for clock	\$0.15
*RCN-050	C12	.022 mf., 600 v., paper molded	.35	*ROP-029		SPEAKER—4 in., 3.2 ohm voice coil, w. mtg. bracket	4.90
*RCN-053	C10	.047 mf., =20%, 600 V., paper molded	.35	*RWL-025		CORD—Heavy-duty type brown power cord & plug, 6 ft. long, Model 560	.75
RCT-073	C1A, B, C, D	Tuning, two-gang	3.50	*RWL-026		CORD—Ivory power cord & plug, 6 ft. long, Model 561	.75
*RCW-3048	C9A, B, C, D	Four capacitors in two sections, section one .002, +100%-0%, section two 400 mmf. 220 mmf., +70%-30%, .005 mmf., +100%-0%	.90	RZC-030		CLOCK—Clock ass'y only, no crystal; dial plate bronze, hour and minute hand brass, radium-tipped, second hand red, two controls on front, new type clock with enclosed switch. Telechron No. C91G29	13.00
*RCW-3075	C2	47 mmf., =20%, N2200, ceramic	.25				
*UCC-045	C3, 4	.05 mf., 600 v., paper	.30				
RESISTORS				MISCELLANEOUS MECHANICAL			
RRC-240	R4	VOLUME CONTROL—500,000 ohms	1.40	RAC-137		CLOCK SHIELD—Plastic, clock cover	.45
*URD-021	R2	68 ohms, =10%, 1/4 w.	.13	*RHC-024		CLIP—1/8 in., electrolytic mounting clip	.10
*URD-025	R10	100 ohms, =10%, 1/2 w.	.13	*RHC-061		CLIP—Holds textolite sub-chassis	.10
*URD-029	R8	150 ohms, =10%, 1/2 w.	.13	*RHE-014		EYELET—Tube receptacle wafer mounting	.01
URD-081	R1	22,000 ohms, =10%, 1/2 w.	.13	*RHE-016		EYELET—I-F transformer wafer mounting	.01
*URD-113	R6, 7	470,000 ohms, =10%, 1/2 w.	.13	*RHI-017		GROMMET—Two-piece strain relief for power cord	.15
*URD-129	R3	2.2 megohms, =10%, 1/2 w.	.13	*RHS-040		SCREW—For mounting clock	.05
URD-141	R5	6.8 megohms, =10%, 1/2 w.	.13	*RHS-109		INSULATING SPACER—Black textolite, used in chassis tube holes	.20
*URF-053	R9	1500 ohms, =10%, 2 w.	.25	*RHS-110		TUBE SHIELD—Miniature tube shield, metal, for 12AV6 tube	.15
COILS AND TRANSFORMERS				RHS-118		EYELET—Eyelet and soldering point, used to mount 1st i-f socket wafer, 12BA6	.05
*RLC-122	T1	OSCILLATOR COIL	1.00	*RHX-011		GROMMET—Rubber, for mounting gang	.10
*RLL-055	L1	ANTENNA—Ferrite core, 300 uh inductance 7 in. long, 1/2 in. dia.	1.50	*RII-081		WAFER—Part of i-f transformer receptacle	.05
*RTL-143	T2, 3	TRANSFORMER—I-F transformer, 1st & 2nd	1.80	*RII-082		WAFER—Part of tube receptacle	.05
*RTO-138	T4	TRANSFORMER—Audio output transformer	2.50	*RII-084		ANTENNA COVER—Polystyrene, molded, brown	.60
				*RII-088		BOARD—Sub-chassis, bare, no hardware or parts	.60
				*RII-090		HEAT SHIELD	.05
				*RMS-272		RING—Compression, for knobs	.05
MISCELLANEOUS ELECTRICAL				CABINETS AND APPEARANCE ITEMS			
*RJC-027		CONTACT—Dip solder contact, includes tube pin clip for tube receptacle	.03	RAB-220		BACK—Cabinet, masonite, less antenna and antenna cover	.20
*RJC-028		CONNECTOR—For mounting oscillator coil and used as common solder point	.02	*RAG-051		GRILLE CLOTH—For Model 561	.45
*RJC-029		TERMINAL—Female, flat, push-on connector for i-f transformer	.05	RAU-389		CABINET—Plastic, drak brown, Model 560	9.50
*RJC-030		I-F CLIP—Dip solder contact and clip for i-f transformers, spring brass, connects pin 6—12BE6, pin 6—12BA6, and pin 6—12AV6	.02	RAU-390		CABINET—Plastic, ivory, Model 561	9.50
*RJC-031		I-F CLIP—Dip solder contact and clip for i-f transformers, spring brass, connects pin 5—12BE6, pins 1-5—12BA6	.02	RDK-358		DIAL SCALE—Ivory, Model 561	.40
*RJJ-012	J1	SOCKET—3-pin clock plug socket	.10	RDK-359		DIAL SCALE—Dark brown, Model 560	.40
				RDK-360		KNOB—Volume control, dark brown, Model 560	.15
				RDK-361		KNOB—Volume control, ivory, Model 561	.15
				RZA-014		DIAL RING—Plastic, adhesive backed, bright gold, around clock dial inside crystal, two required	.15
				RZK-020		KNOB—Clock, clear plastic, w. dot	.15
				RZW-008		DIAL CRYSTAL—Clock, raised gold numerals, clear lettering	.85

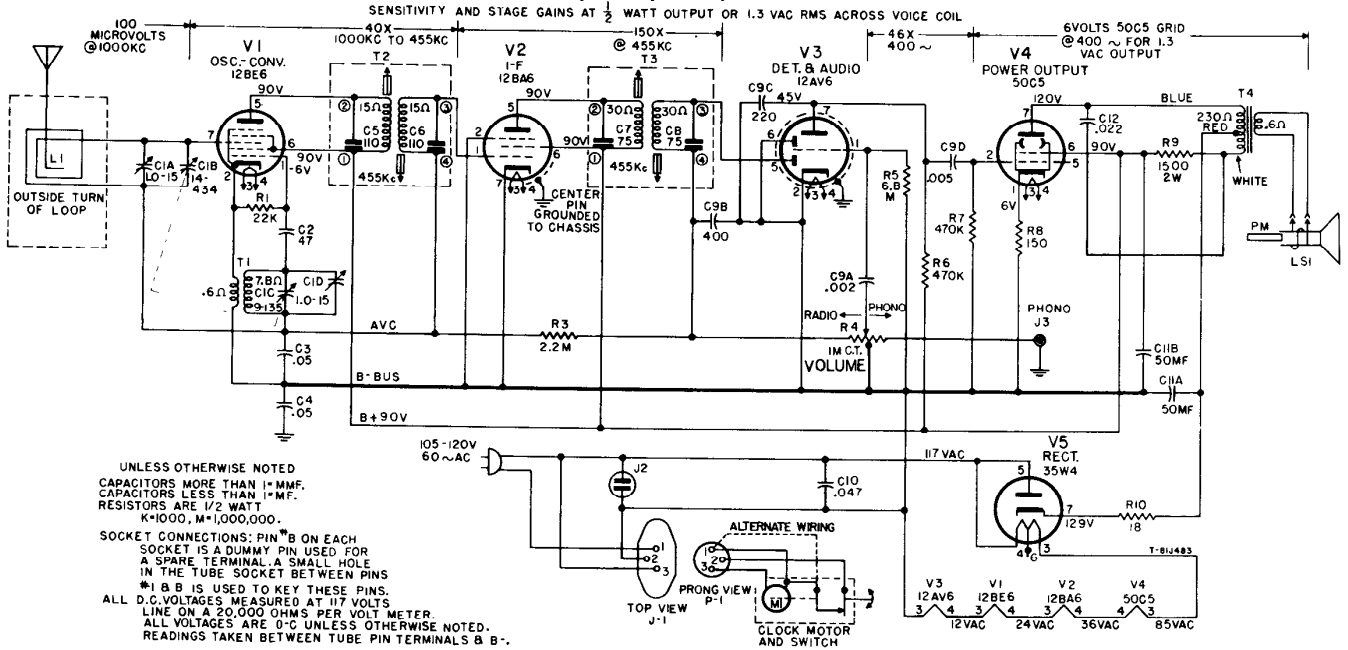
MODELS 564, 565, 566



REPLACEMENT PARTS LIST FOR MODELS 564, 565 AND 566

Cat. No.	Symbol	Description	Unit Price	Cat. No.	Description	Unit Price
CAPACITORS						
*RCE-160	C11, A, B	50-50 mf., 150 v., electrolytic	\$2.10	*RHI-017	GROMMET—Two-piece strain relief for power cord	\$0.15
*RCN-050	C12	.022 mf., 600 v., paper molded	.35	RHJ-023	SPACER—Metal, for tuning condenser shock mounts	
*RCN-053	C10	.047 mf., 600 v., paper molded	.35	*RHM-025	RETAINING RING—"C" washer for control shaft	
RCT-069	C1, A, B, C, D	Tuning, two-gang, with drive drum	3.90	*RHS-109	INSULATING SPACER—Black textolite, used in chassis tube holes.	.20
*RCW-3048	C9A, B, C, D	.002 mf., 400 mmf., 220 mmf., .005 mf. ceramic couplate	.90	*RHS-110	TUBE SHIELD—Miniature tube shield, metal 1 3/4 in. long for 12AV6	.15
*RCW-3075	C2	47 mmf., ±20%, N2200, ceramic	.25	RHS-115	SCREW—Loudspeaker mtg. No. 6-32, 9/16 in. long painted head (ivory) square shoulder, for Model 564	.05
*UCC-045	C3, 4	.05 mf., 600 v., paper	.30	RHS-116	SCREW—Loudspeaker mounting, No. 6-32, red head for Model 565	.05
RESISTORS						
RRC-212	R4	VOLUME CONTROL—500,000 ohms	\$1.00	RHS-117	SCREW—Loudspeaker mtg., No. 6-32, green head for Model 566	.05
*URD-021	R2	68 ohms, 1/2 w.	.13	RHS-118	EYELET—Eyelet and soldering point, used to mount 1st I-F socket wafer 12BA6 tube	.05
*URD-025	R10	100 ohms, 1/2 w.	.13	*RII-081	WAFER—Part of I-F transformer receptacle 15/16 in. x 7/8 in.	.05
*URD-029	R8	150 ohms, 1/2 w.	.13	*RII-082	WAFER—Part of tube receptacle, 1 1/32 in. dia.	.05
*URD-081	R1	22,000 ohms, 1/2 w.	.13	*RII-084	ANTENNA COVER—Polystyrene, molded, brown, 10 1/2 in. long, 3/4 in. wide	.60
URD-113	R6, 7	470,000 ohms, 1/2 w.	.13	*RII-088	BOARD—Sub-chassis, bare, no hardware or parts	.60
*URD-129	R3	2.2 megohms, 1/2 w.	.13	RII-090	HEAT SHIELD—1 x 1 in. asbestos base phenolic shield between chassis tube hole spacer, RHS-109, and textolite sub-chassis.	.05
*URD-141	R5	6.8 megohms, 1/2 w.	.13	*RJC-004	TERMINAL—Small female connector on audio output leads.	.02
*URF-053	R9	1500 ohms, 2 w.	.25	*RJC-027	CONTACT—Dip solder contact, incl. tube pin clip for tube receptacle.	.03
COILS AND TRANSFORMERS						
*RLC-122	T1	COIL—Oscillator	\$1.00	*RJC-028	CONNECTOR—Dip solder terminal only, used on RCL-122 and as common connector	.02
*RLL-055	L1	ANTENNA—Ferrite core, 300 uh inductance 7 in. long, 1/2 in. dia.	1.50	*RJC-029	TERMINAL—Female, flat, push-on connector for I-F transformer	.05
*RTL-143	T2, 3	TRANSFORMER—1st and 2nd I-F	1.80	*RJC-030	I-F CLIP—Dip solder contact and clip for I-F transformers, spring brass, connects pin 6-12BA6 and pin 6-12AV6	.02
*RTO-138	T4	TRANSFORMER—Audio output trans.	2.50	*RJC-031	CLIP—Dip solder contact and clip for I-F transformers, spring brass, connects pin 5-12BA6 and pin 5-12BE6	.02
MISCELLANEOUS ELECTRICAL						
RJJ-012	J1	SOCKET—3-pin clock plug socket	\$0.10	*RMS-130	SPRING—Dial cord tension spring inside dial drum	.15
RJP-051	P1	PLUG—3-pin plug and shield for clock	.15	RMS-272	RING—Compression, for tuning knob, 3/8 in. dia. 3/16 in. wide.	.05
*ROP-027		SPEAKER—4-inch, 3.2 ohms, yoke rotated 90 degrees	4.95	RMS-296	RING—Compression ring, volume control, 5/16 in. dia. 1/4 in. wide	.05
*RWL-009		CORD—Power cord & plug, brown, ivory plug, used on Models 565, 566	.70	RMX-243	SHAFT—Tuning, tubular, 1 3/8 in. long, 3/8 in. dia.	.30
*RWL-016		CORD—Power cord & plug, ivory, used on Model 564	.75	RZK-018	KNOB—Clock knob, maroon, with pointer, for Model 564	
RZC-026	M1	CLOCK ASSEMBLY—60 cycles, three-control, sleep feature, exposed type switch contacts, mfg. no. C57Q211; may be substituted for clock, RZC-032 of late receivers.	15.00	RZK-019	KNOB—Clock knob, black, with pointer, for Models 565 and 566	
RZC-032	M1	CLOCK ASSEMBLY—60 cycles, three-control, sleep feature, enclosed type switch contacts, mfg. no. C97Q211; may be substituted for clock, RZC-026, of early receivers.				
MISCELLANEOUS MECHANICAL						
RDC-032		DIAL CORD—25 yards bulk	\$2.50	RAB-212	BACK—For cabinet, less loop, masonite, 11 in. x 4 1/2 in.	\$0.20
RDK-322		KNOB—Tuning, maroon, less compression ring, for Model 564	.10	RAC-132	COVER—Plastic, black, for clock	.40
RDK-323		KNOB—Volume control, grey, less compression ring, for Models 564, 565 and 566	.35	*RAG-050	GRILLE CLOTH—Grille cloth assembly, red, 4 1/8 in. x 3 3/8 in., includes chipboard mount, for Model 565	.45
RDK-353		KNOB—Tuning, black, less compression ring for Models 565-66	.10	*RAG-051	GRILLE CLOTH—Grille cloth assembly, maroon, 4 1/8 in. x 3 3/8 in., includes chipboard mount, for Model 564	.45
RDM-048		GUIDE POST—Wood dowel guide for dial cord travel.	.05	*RAG-057	GRILLE CLOTH—Grille cloth assembly, green, 4 1/8 in. x 3 3/8 in., includes chipboard mount, for Model 566	.50
RDP-076		POINTER—Dial pointer, metal, red, 1 1/2 in. long	.25	RAU-379	CABINET—Plastic, ivory, includes crystals and dial rings, for Model 564	9.50
RDS-123		DIAL SCALE—Metal back plate with scale markings no numerals, gold, with black & green markings	.45	RAU-383	CABINET—Plastic, red, includes crystals and dial rings, Model 565	9.50
*RHC-024		CLIP—7/8 in. electrolytic mounting clip	.10	RAU-384	CABINET—Plastic green, includes crystals and dial rings, Model 566	9.50
*RHC-061		CLIP—Holds textolite sub-chassis	.10			
*RHE-014		EYELET—Tube receptacle wafer mounting	.01			
*RHE-016		EYELET—I-F transformer wafer mounting	.01			
RHG-018		GROMMET—Rubber, tuning condenser shock mount	.05			
MISCELLANEOUS MECHANICAL (CONT'D)						

MODELS 572, 573, 574, 575



REPLACEMENT PARTS LIST FOR MODELS 572, 573, 574 AND 575

Cat. No.	Symbol	Description	Unit Price	Cat. No.	Symbol	Description	Unit Price
CAPACITORS				MISCELLANEOUS MECHANICAL (Cont'd)			
*RCE-149	C11A, B	50-50 mf., 150 v., electrolytic	\$2.00	*RDC-032		DIAL CORD—25 yds bulk	\$2.50
*RCN-050	C12	.022 mf., ±20%, 600 v., molded paper	.35	RDK-425		KNOB—On-Off volume or tuning clear and gold	.35
*RCN-053	C10	.047 mf., ±20%, 600 v., molded paper	.35	RDP-074		POINTER—Dial scale pointer and slider, metal, red	.20
*RCT-063	C1A, B, C, D	Tuning, two gang	3.75	RDS-127		DIAL SCALE—Plastic	.25
*RCW-3048	C9A, B, C, D	.002 mf., 400 mmf., 220 mf., .005 mf., ceramic	.90	*RHC-024		CLIP—½ inches mounting clip for C11	.10
*RCW-3075	C2	47 mmf., ±20%, 500 v., ceramic	.25	*RHC-053		CLIP—For mounting i-f transformers, T2 or T3	.02
*UCC-045	C3, 4	.05 mf., 600 v., paper	.30	*RHG-018		GROMMET—Rubber, for mounting tuning capacitor C1	.05
RESISTORS				*RHI-010		GROMMET—Power cord	.15
RRC-256	R4	Volume control, 1 meg. CT	1.10	*RHJ-005		SPACER—Metal, for mounting C1	.02
*URD-007	R10	18 ohms, ½ w., carbon	.13	*RHS-041		SCREW—No. 6 x ¾ in., thread cutting, for mtg. loudspeaker	.02
*URD-021	R2	68 ohms, ½ w., carbon	.13	*RHS-060		SCREW—No. 6 x ¼ in. self tapping, mounts chassis bottom plate	.01
*URD-029	R8	150 ohms, ½ w., carbon	.13	*RHS-085		SHIELD—Metal tube shield for 12AV6 tube	.10
*URD-081	R1	22 K, ½ w., carbon	.13	RHS-128		SHIELD—Fiber—clock switch	.04
*URD-113	R6	470 K, ½ w., carbon	.13	*RMC-002		CLIP—Osc. coil mounting	.05
*URD-121	R7	1 meg., ½ w., carbon	.13	*RMS-118		SPRING—Dial cord tension	.10
*URD-129	R3	2.2 meg., ½ w., carbon	.13	RMS-331		SPRING CLIP	.10
*URD-141	R5	6.8 meg., ½ w., carbon	.13	RMX-276		TUNING SHAFT ASSEMBLY—Metal tuning shaft assembly 1½ x ¼ in. includes bushing "C" washers and pulley	.55
*URF-053	R9	1500 ohms, 2 w., carbon	.25	RZA-009		Bezel Mounting Ring, Gold Finish for Models 572-573 or 574	1.20
COILS AND TRANSFORMERS				RZA-010		Bezel Mounting Ring, Chrome Finish; for Model 575	1.40
*RLC-119	T1	COIL—Oscillator coil	.90	RZW-013		Crystal for models 572 or 574	.30
*RTL-135	T2, 3	TRANSFORMER—1st or 2nd i-f	1.90	RZW-014		Crystal, for models 573 or 575	.30
*RTO-138	T4	TRANSFORMER—Audio output	2.50	*RZK-009		Knob; Alarm, Sleep or Switch Set, Ivory, for Model 573	.05
MISCELLANEOUS ELECTRICAL				*RZK-010		Knob; Alarm, Sleep or Switch Set, White, for Model 575	.05
*RJC-004		CONNECTOR—Female connector, fits on male speaker connector	.02	RZK-026		Knob; Alarm, Sleep or Switch Set, Fawn, for Model 572	.05
RJJ-008	J2	RECEPTACLE—A-C power	.35	RZK-027		Knob; Alarm, Sleep or Switch Set, Red, for model 574	.05
RJP-045	P1	PLUG—Three prong, with shell for clock connection	.15	CABINET AND CABINET PARTS			
*RJS-158		SOCKET—Tube socket, miniature 7-pin for V2	.35	RAB-243		LOOP L1 & BACK—Antenna loop and cabinet back	1.65
*RJS-163		SOCKET—Tube socket, miniature 7-pin for V3, V4 or V5	.30	*RAG-049		GRILLE CLOTH ASSEMBLY—Maroon pasteboard mounted; for model 572	.45
*RJS-162		SOCKET—Tube socket, miniature 7-pin, for V1	.30	*RAG-050		GRILLE CLOTH ASM.—Red, pasteboard mounted, for model 574	.45
RJS-181	J1	SOCKET—Three-prong socket on top of chassis for clock connection	.15	*RAG-051		GRILLE CLOTH ASM.—Ivory, pasteboard mounted; for model 573	.45
RJS-182	J3	Phono connector	.15	*RAG-052		GRILLE CLOTH ASM.—White, pasteboard mounted; for model 575	.45
*RWL-024		POWER CORD—A-C cord and plug white; for Model 575	.75	*RAU-365		CABINET—Plastic, mottled mahogany finish; for model 572	7.25
*RWL-025		POWER CORD—A-C cord and plug, brown; for Model 572 or 574	.75	*RAU-366		CABINET—Plastic, red finish, for model 574	8.50
*RWL-026		POWER CORD—A-C cord and plug, ivory; for Model 573	.75	*RAU-367		CABINET—Plastic, ivory finish, for model 573	8.50
RZC-037	M1	CLOCK ASSEMBLY—60 cycles, less bezel and crystal for Models 572 or 574	15.75	*RAU-368		CABINET—Plastic, white finish, for model 575	8.50
RZC-038		For models 573 or 575	15.75				
*S-403D-7	LS1	LOUDSPEAKER—4-in. PM	4.30				
MISCELLANEOUS MECHANICAL							
RAC-117		COVER—Plastic cover mounts over rear of clock	.50				
*RAC-118		COVER—Over-all socket pins 10½ x 1½ inches	1.00				

* Parts used on previous receivers

PRICES ARE SUGGESTED LIST PRICES AND SUBJECT TO CHANGE WITHOUT NOTICE

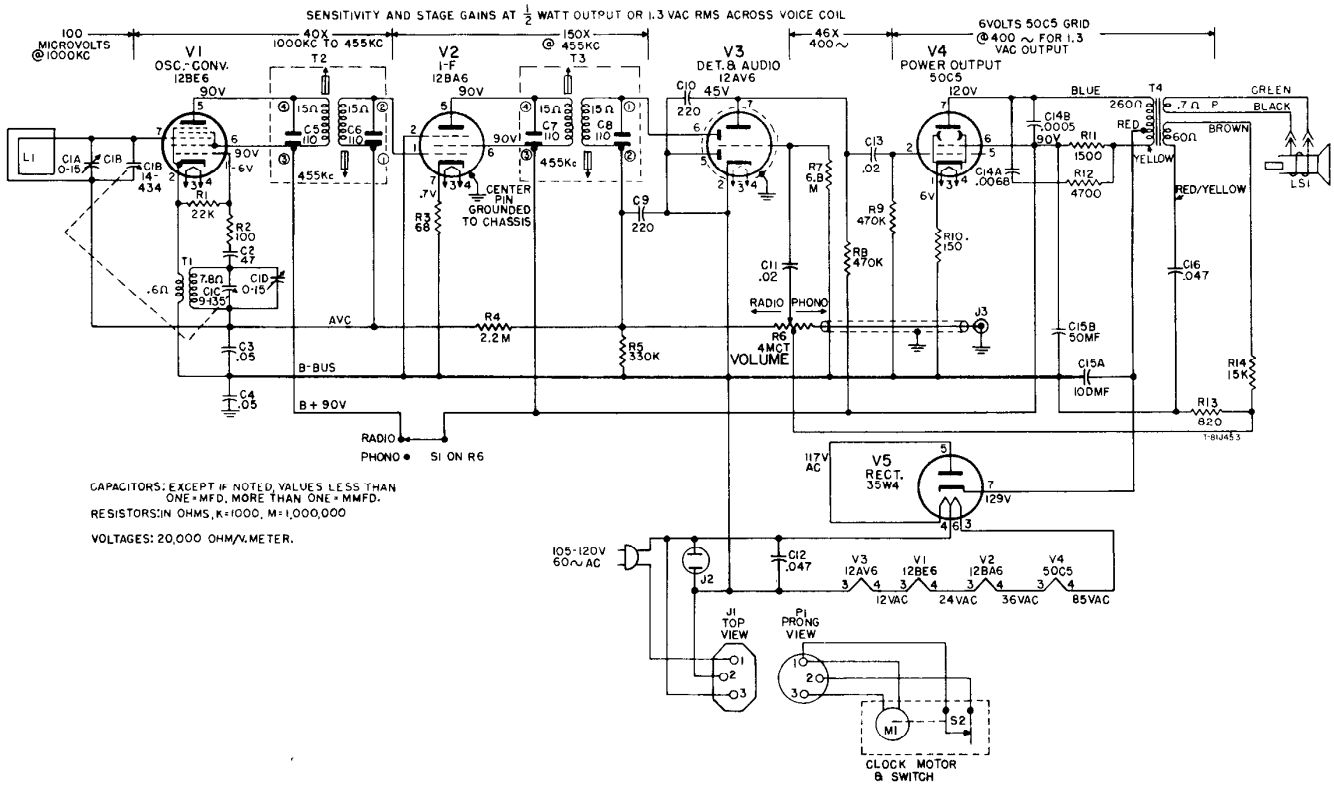
REPLACEMENT PARTS LIST FOR MODELS 577 AND 578

Cat. No.	Symbol	Description	Unit Price	Cat. No.	Symbol	Description	Unit Price
CAPACITORS				MISCELLANEOUS ELECTRICAL (Cont'd)			
RCE-149	C11A, B	50-50 mf., 150 v, electrolytic	\$2.00	RWL-026		POWER CORD—A-c cord and plug, ivory, for Model 578.	\$0.75
RCN-050	C12	.022 mf., ±20%, 600 v, molded paper	.35	N-RZC-042	M1	CLOCK ASSEMBLY—60 cycles less bezel and crystal for Model 577	18.25
RCN-053	C10	.047 mf., ±20%, 600 v, molded paper	.35	N-RZC-043	M1	CLOCK ASSEMBLY—60 cycles less bezel and crystal for Model 578	18.25
RCT-063	C1, A, B, C, D	Tuning, two gang	3.75	S-403D7	LS1	LOUDSPEAKER—4 in. FM	4.30
RCW-3048	C9A, B, C, D	.022 mf., 400 mmf., .220 mf., .005 mf., ceramic	.90	MISCELLANEOUS MECHANICAL			
RCW-3075	C2	.47 mmf., ±20%, 500 v, ceramic	.25	RAC-118		COVER—Over-all socket pins 10½ x 1½ inches	1.00
UCC-045	C3, 4	.05 mf., 600 v, paper	.30	RDC-032		DIAL CORD—25 yds bulk	2.50
RESISTORS				N-RDM-054		GUIDE POST—Dial string guide post	.05
N-RRC-300	R4, S1	Volume control 1 meg. CT; and switch	1.10	RHC-024		CLIP—¼ inch mtg. clip for C11	.10
URD-007	R10	18 ohms, ±10%, ½ w. carbon	.13	RHC-053		CLIP—For mtg. i-f transformers T2 and T3	.02
URD-021	R2	68 ohms, ±10%, ½ w. carbon	.13	RHG-018		GROMMET—Rubber for mtg. tuning cap. C1	.05
URD-025	R13	100 ohms, ±10%, ½ w. carbon	.13	RHI-010		GROMMET—Power cord strain relief	.15
URD-029	R8	150 ohms, ±10%, ½ w. carbon	.13	RHJ-005		SPACER—Metal for mounting C1	.02
URD-081	R1	22K, ±10%, ½ w. carbon	.13	RHS-041		SCREW—No. 6 x ⅝ in. thread cutting for mounting loudspeaker	.02
URD-085	R12	33K, ±10%, ½ w. carbon	.13	RHS-085		SHIELD—Metal tube shield for 12AV6 tube	.10
URD-113	R6, 7	470K, ½ w. carbon	.13	RHS-128		SHIELD—Fiber-clock switch	.04
URD-125	R11	1.5 meg. ½ w., ±10%, carbon	.13	RMC-002		CLIP—Osc. coil mounting	.05
URD-129	R3	2.2 meg. ½ w., ±10%, carbon	.13	RMS-118		SPRING—Dial cord tension	.10
URD-141	R5	6.8 meg. ½ w., ±10%, carbon	.13	RMS-331		SPRING CLIP	.10
URF-053	R9	1500 ohms, 2 w., ±10%, carbon	.25	RMX-276		TUNING SHAFT ASSEMBLY—Metal tuning shaft assembly 1⅝ x ¼ in. includes bushing "C" washers and pulley	.55
COILS AND TRANSFORMERS				CABINET AND APPEARANCE ITEMS			
RLC-119	T1	COIL—Oscillator coil	.90	N-RAB-252		LOOP L1 & BACK—Antenna loop and cabinet back	1.70
RTL-135	T2, 3	TRANSFORMER—1st or 2nd I-F	1.90	RAG-049		GRILLE CLOTH ASSEMBLY—Maroon, pasteboard mounted; for Model 577	.45
RTO-138	T4	TRANSFORMER—Audio output	2.50	RAG-051		GRILLE CLOTH ASSEMBLY—Ivory, pasteboard mounted; for Model 578	.45
MISCELLANEOUS ELECTRICAL				RAU-365		CABINET—Plastic, mottled mahogany finish for Model 577	7.25
RJC-004		CONNECTOR—Female connector fits on male speaker connector	.02	RAU-367		CABINET—Plastic, ivory finish for Model 578	8.50
RJJ-008	J2	RECEPTACLE—A-c power	.35	RDK-425		KNOB—On-off volume or tuning, clear and gold	.35
N-RJP-061	P1	PLUG—Five prong, with shell for clock connector	.15	RDP-074		POINTER—Dial scale pointer and slider, metal, red	.20
RJS-158		SOCKET—Tube socket, miniature 7 pin for V2	.35	RDS-127		DIAL SCALE—Plastic	.25
RJS-162		SOCKET—Tube socket, miniature 7 pin for V1	.30	N-RZA-015		BEZEL MOUNTING RING—Brass, Models 577, 578	1.45
RJS-163		SOCKET—Tube socket, miniature 7 pin for V3, V4 or V5	.30	RZK-009		KNOB—Alarm, sleep or switch set, ivory, for Model 578	.05
RJS-182	J3	PHONO CONNECTOR	.15	RZK-026		KNOB—Alarm, sleep or switch set, mahogany, for Model 577	.05
N-RJS-219	J1	SOCKET—Five-prong socket on top of chassis for clock connection	.30	RZW-013		CRYSTAL—For Model 577	.30
RWL-025		POWER CORD—A-c cord and plug, brown; for Model 577	.75	RZW-014		CRYSTAL—For Model 578	.05

N --Parts not previously catalogued.

PRICES ARE SUGGESTED LIST PRICES AND SUBJECT TO CHANGE WITHOUT NOTICE

MODELS 580, 581, 582



CAPACITORS: EXCEPT IF NOTED, VALUES LESS THAN ONE *MFD, MORE THAN ONE *MMFD.
RESISTORS: IN OHMS, K=1,000, M=1,000,000
VOLTAGES: 20,000 OHM/V. METER.

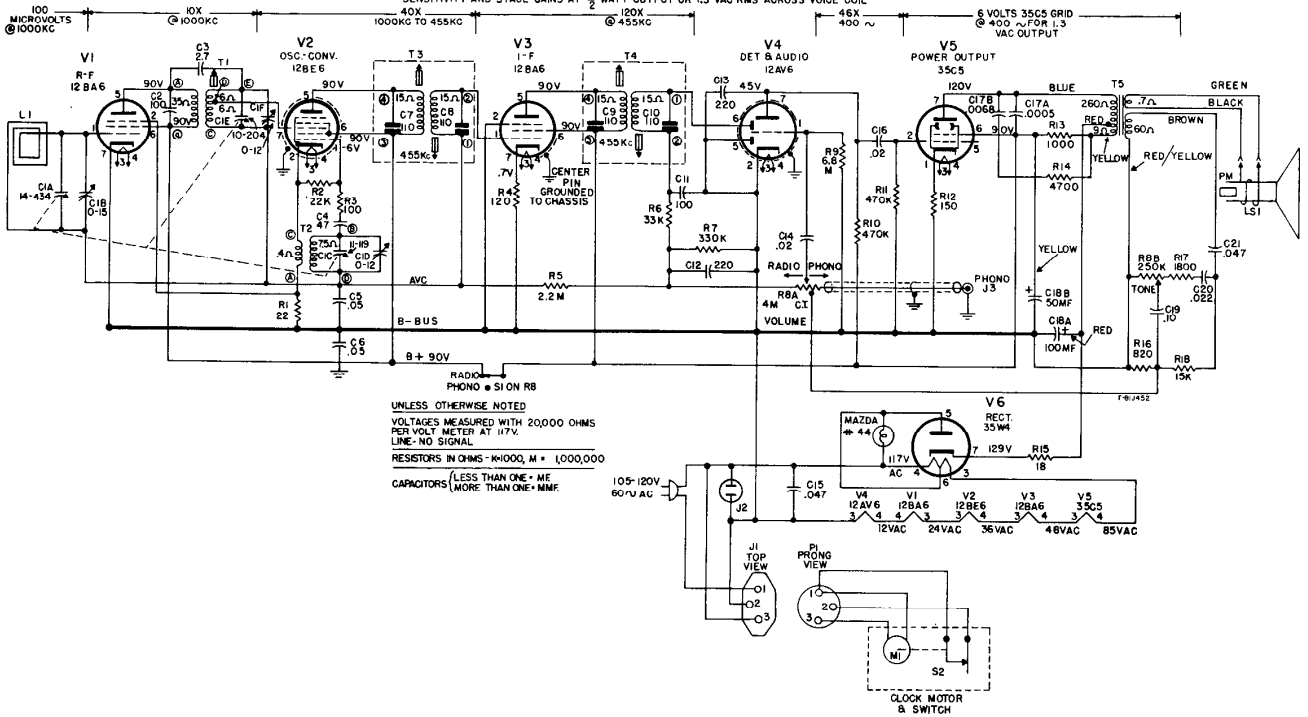
REPLACEMENT PARTS LIST—MODELS 580, 581, AND 582

CAT. NO.	SYMBOL	DESCRIPTION	UNIT PRICE	CAT. NO.	SYMBOL	DESCRIPTION	UNIT PRICE
CAPACITORS				MISCELLANEOUS MECHANICAL			
RCC-126	C16	.047 mf., 200 v., paper	\$0.35	RDC-032		CORD—Dial cord, bulk, 25 yards	\$2.50
RCC-129	C11, 13	.02 mf., +40% -10%, 400 v. paper	.35	RHC-024		CLIP—For capacitor mounting	.10
RCE-166	C15A, B	100-50 mf., 150 v., electro	2.65	RHE-014		CLIP—For mtg. board under chassis	.05
N-RCT-079	C1A, B, C, D	Tuning, two-gang	3.75	RHE-016		EYELET—For tube socket wafer	.01
RCN-053	C12	.047 mf., 600 v., paper molded	.35	RHI-010		EYELET—For I-F wafer	.01
RCW-3075	C2	.47 mmf., ceramic	.25	RHS-084		STRAIN RELIEF—For power cord	.15
RCW-3194	C14A, B	.0068 mf., .005 mf., ceramic	.50			SCREW—For mtg. loudspeaker and grille	.05
RCW-3137	C9, 10	220 mmf., 20%, 400 v., ceramic	.25	RHS-109		SHIELD—Pin shield	.20
UCC-045	C3, 4	.05 mf., +40% -10%, 400 v., paper	.25	RHS-110		SHIELD—Tube shield	.15
				RHS-118		SHIELD—Pin shield over tube sockets	2.00
RESISTORS						SHIELD—Clock shield	.04
N-RRC-278	R6	Volume control, 4 meg., CT., with switch, S1	\$1.65	RHS-146		HUM SHIELD	.30
URD-021	R3	68 ohms, 1/2 w. carbon	.13	RII-081		WAFER—I-F	.05
URD-025	R2	100 ohms, 1/2 w. carbon	.13	RII-082		WAFER—Under-chassis tube socket wafer	.05
URD-029	R10	150 ohms, 1/2 w. carbon	.13	RII-088		BOARD—Under-chassis Textolite board	.60
URD-047	R13	820 ohms, 1/2 w. carbon	.13	RII-090		SHIELD—Heat transfer shield	.05
URD-065	R12	4700 ohms, 1/2 w. carbon	.13	RJC-030		I-F CLIP—Dip solder contact and clip for i-f trans., spring brass, connects pin 6-12BE6, pin 6-12BA6 and pin 6-12AV6	.02
URD-077	R14	15,000 ohms, 1/2 w. carbon	.13	RJC-031		I-F CLIP—Dip solder contact and clip for i-f trans., spring brass, connects pin 5-12BE6, pin 1-12BA6 and pin 5-12BA6	.02
URD-081	R1	22,000 ohms, 1/2 w. carbon	.13	RMS-272		SPRING—Comp. type for radio knobs	.05
URD-109	R5	330,000 ohms, 1/2 w. carbon	.13	RMS-331		SPRING—For clock shield RHS-128	.10
URD-113	R8, 9	470,000 ohms, 1/2 w. carbon	.13	N-RMS-355		SPRING—Drum tension	.10
URD-129	R4	2.2 megohm, 1/2 w. carbon	.13	RMW-070		IDLER PULLEY	.05
URD-141	R7	6.8 megohm, 1/2 w. carbon	.13	RMX-279		SHAFT—Tuning shaft and bushing ass'y	.55
URF-053	R11	1500 ohms, 2 w. carbon	.25	CABINETS, CABINET PARTS & APPEARANCE ITEMS			
COILS AND TRANSFORMERS				N-RAB-245		LOOP—L1, and cabinet back assembly	\$1.55
RLC-122	T1	COIL—Oscillator	\$1.00	N-RAU-418		CABINET—Grey plastic, Model 582	12.50
RTL-143	T2, 3	TRANSFORMER—1st or 2nd I-F	1.80	N-RAU-419		CABINET—Mahogany plastic, Model 580	12.50
RTO-157	T4	TRANSFORMER—Audio output	3.35	N-RAU-420		CABINET—Ivory plastic, Model 581	12.50
MISCELLANEOUS ELECTRICAL				N-RDG-010		GRILLE—Gold, plastic	.95
RJC-004		CONNECTOR—Fits on male speaker terminal	\$0.02	N-RDK-384		KNOBS—Volume and tuning, Model 580	.15
RJC-027		CONTACT—Dip solder	.03	N-RDK-461		KNOBS—Volume and tuning, Model 581	.35
RJC-028		TERMINAL—Dip solder terminal	.02	N-RDK-462		KNOBS—Volume and tuning, Model 582	.35
RJP-045	P1	CONNECTOR—Clock plug and shield assembly	.15	N-RDP-084		DIAL POINTER—Chrome for Models 580 and 581	.45
RJS-181	J1	SOCKET—Clock connector, fem.	.15	N-RDP-085		DIAL POINTER—Brass for Model 582	.35
RJS-182	J3	CONNECTOR—Phono	.15	N-RDS-129		DIAL SCALE—Gold, Models 580 and 581	.75
N-RJS-212	J2	RECEPTACLE—Appliance, fem. 24-in. leads	1.20	N-RDS-130		DIAL SCALE—Green, Model 582	.85
ROP-030	LS1	LOUDSPEAKER	6.25	N-RDW-079		CRYSTAL—For radio dial, with numerals	1.70
RWL-025		CORD—Power cord and plug, brown, Model 580	.75	RYN-019		MEDALLION	.35
RWL-026		CORD—Power cord and plug, ivory for Model 581	.75	N-RZK-017		KNOBS—For clock Model 581	.15
RWL-031		POWER CORD—With plug, grey, Model 582	.75	N-RZK-024		KNOBS—For clock Model 580	.15
N-RZC-039		CLOCK ASSEMBLY—Green face, for Model 582	16.00	RZK-028		KNOBS—For clock Model 582	.15
N-RZC-040		CLOCK ASSEMBLY—Gold face, for Models 580 and 581	16.50	N-RZW-015		CLOCK CRYSTAL—With numerals	.35

N Indicates new items.

MODEL 590

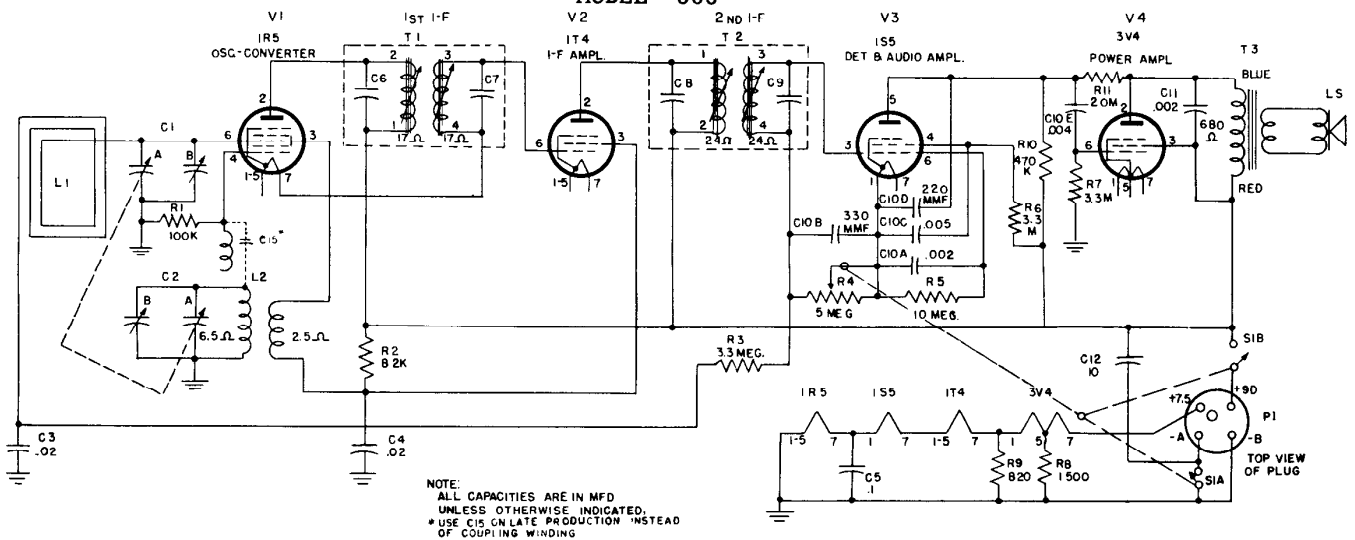
SENSITIVITY AND STAGE GAINS AT 1/2 WATT OUTPUT OR 1.3 VAC RMS ACROSS VOICE COIL



REPLACEMENT PARTS LIST—MODEL 590

CAT. NO.	SYMBOL	DESCRIPTION	UNIT PRICE	CAT. NO.	SYMBOL	DESCRIPTION	UNIT PRICE
CAPACITORS				MISCELLANEOUS MECHANICAL			
*RCC-126	C21	.047 mf., 200 v., paper	\$0.35	*RDC-032		CORD—Dial cord, bulk, 25 yds.	\$2.50
RCC-127	C20	.022 mf., 200 v., paper	.35	*RHC-024		CLIP—For tuning condenser	.10
RCC-128	C19	.1 mf., 200 v., paper	.40	RHC-080		CLIP—To hold sub-chassis	.05
*RCC-129	C14, 16	.02 mf., 400 v., paper	.35	*RHE-014		EYELET—For tube socket wafer	.01
*RCE-166	C18A, B	100-50 mf., 150 v., electrolytic	2.65	*RHE-016		EYELET—For i-f wafer	.01
*RCN-053	C15	.047 mf., 600 v., paper, molded	.30	*RHG-018		GROMMET—For tuning condenser	.05
RCT-080	C1A, C1C C1E	Tuning, three gang condenser	4.80	*RHI-010		STRAIN RELIEF—For power cord	.15
RCW-3039	C3	2.7 mf., ceramic	.25	*RHJ-005		SPACER—For tuning condenser	.02
*RCW-3075	C4	47 mmf., ceramic	.25	*RHS-084		SCREW—For mtg. loudspeaker and grille	.05
RCW-3079	C2, 11	100 mmf., ceramic	.25	*RHS-109		SHIELD—Pin shield	.20
*RCW-3104	C17A, B	.0068 mf., .0005 mf., ceramic	.50	RHS-110		SHIELD—Tube shield	.15
*RCW-3137	C12, 13	220 mmf., ±20%, 400 v., ceramic	.25	RHS-118		SHIELD—Used to rivet wafer to sub-chassis board	.05
*UCC-045	C5, 6	.05 mf., 400 v., paper	.25	*RHS-128		SHIELD—Clock shield	.04
RESISTORS				*RHS-146		SHIELD—Clock hum shield	.30
RRC-299	R8A, B	Volume and tone control	\$3.05	*RII-081		WAFER—For i-f	.05
*URD-007	R15	18 ohms, ±10%, ½ w., carbon	.13	*RII-082		WAFER—Under chassis tube socket wafer	.05
*URD-009	R1	22 ohms, 10%, ½ w., carbon	.13	*RII-090		SHIELD—Heat transfer shield	.05
*URD-025	R3	100 ohms, ½ w., carbon	.13	*RII-091		BOARD—Sub-chassis	.60
URD-027	R4	120 ohms, ½ w., carbon	.13	*RII-092		TERMINAL BOARD—Less contacts	.10
*URD-029	R4, 12	150 ohms, ½ w., carbon	.13	*RJC-027		CONTACT—Dip solder	.03
*URD-047	R16	820 ohms, ½ w., carbon	.13	*RJC-028		TERMINAL—Dip solder	.02
*URD-055	R17	1800 ohms, ½ w., carbon	.13	*RJC-029		TERMINAL—For i-f, female	.05
*URD-065	R14	4700 ohms, ½ w., carbon	.13	*RJC-030		I-F CLIP—Dip solder contact and clip for i-f trans., spring brass, connects pin 6-12BE6, pin 6-12BA6 and pin 6-12AV6	.02
*URD-077	R18	15K ohms, ½ w., carbon	.13	*RJC-031		I-F CLIP—Dip solder contact and clip for i-f trans., spring brass, connects pin 5-12BE6, pin 1-12BA6 and pin 5-12BA6	.02
*URD-081	R2	22K ohms, ½ w., carbon	.13	*RMS-355		SPRING—Tuning drum tension spring	.10
*URD-085	R6	33K ohms, 10%, ½ w., carbon	.13	*RMS-272		SPRING—Compression type for radio knobs	.05
*URD-109	R7	330K ohms, ½ w., carbon	.13	RMS-326		SPRING—Compression	.05
*URD-113	R10, 11	470K ohms, ½ w., carbon	.13	*RMS-331		SPRING—For clock shield RHS-128	.10
*URD-129	R5	2.2 megohm, ½ w., carbon	.13	*RMW-070		PULLEY—Idler	.05
*URD-141	R9	6.8 megohm, ½ w., carbon	.13	RMX-287		SHAFT—Tuning shaft assembly	.90
*URF-049	R13	1000 ohms, 10%, 2 w., carbon	.25	CABINETS, CABINET PARTS & APPEARANCE ITEMS			
COILS AND TRANSFORMERS				RAB-251		LOOP—Loop and back assembly	\$1.55
RLB-034	T1	COIL—R-F	\$1.35	RAU-425		CABINET—Mahogany, plastic	.95
RLC-126	T2	COIL—Oscillator	.90	RDG-010		GRILLE—Gold, plastic	.95
*RTL-143	T3, 4	TRANSFORMER—1st or 2nd i-f	1.80	RDK-449		KNOB—Volume control and tuning, mahogany	.35
RTO-157	T5	TRANSFORMER—Output	3.35	RDK-450		KNOB—Tone control, mahogany	.15
MISCELLANEOUS ELECTRICAL				RDP-085		POINTER—Dial pointer, brass	.35
*RJC-004		CONNECTOR—Speaker lead connector	\$0.02	RDS-128		SCALE—Dial scale, less numerals	.85
*RJP-045	P1	CONNECTOR—Clock plug and shield assembly	.15	RDW-079		CRYSTAL—For radio dial with numerals	1.70
*RJS-181	J1	SOCKET—Clock connector, female	.15	*RYN-019		MEDALLION	.35
*RJS-182	J3	CONNECTOR—Phono	.15	RZK-024		KNOB—For clock, mahogany	.10
RJS-212	J2	RECEPTACLE—Appliance, female, 24 in. leads	1.20	RZW-015		CRYSTAL—Clock crystal, with numerals	.35
*ROP-030	LS1	LOUDSPEAKER—PM, Alnico, 5 ¼ inches	6.25				
*RWL-025		CORD—Power cord & plug, brown	.75				
RWX-054		ASSEMBLY—Pilot lamp socket ass'y	.65				
RZC-041		CLOCK—60 cycles, clock	16.00				

MODEL 600

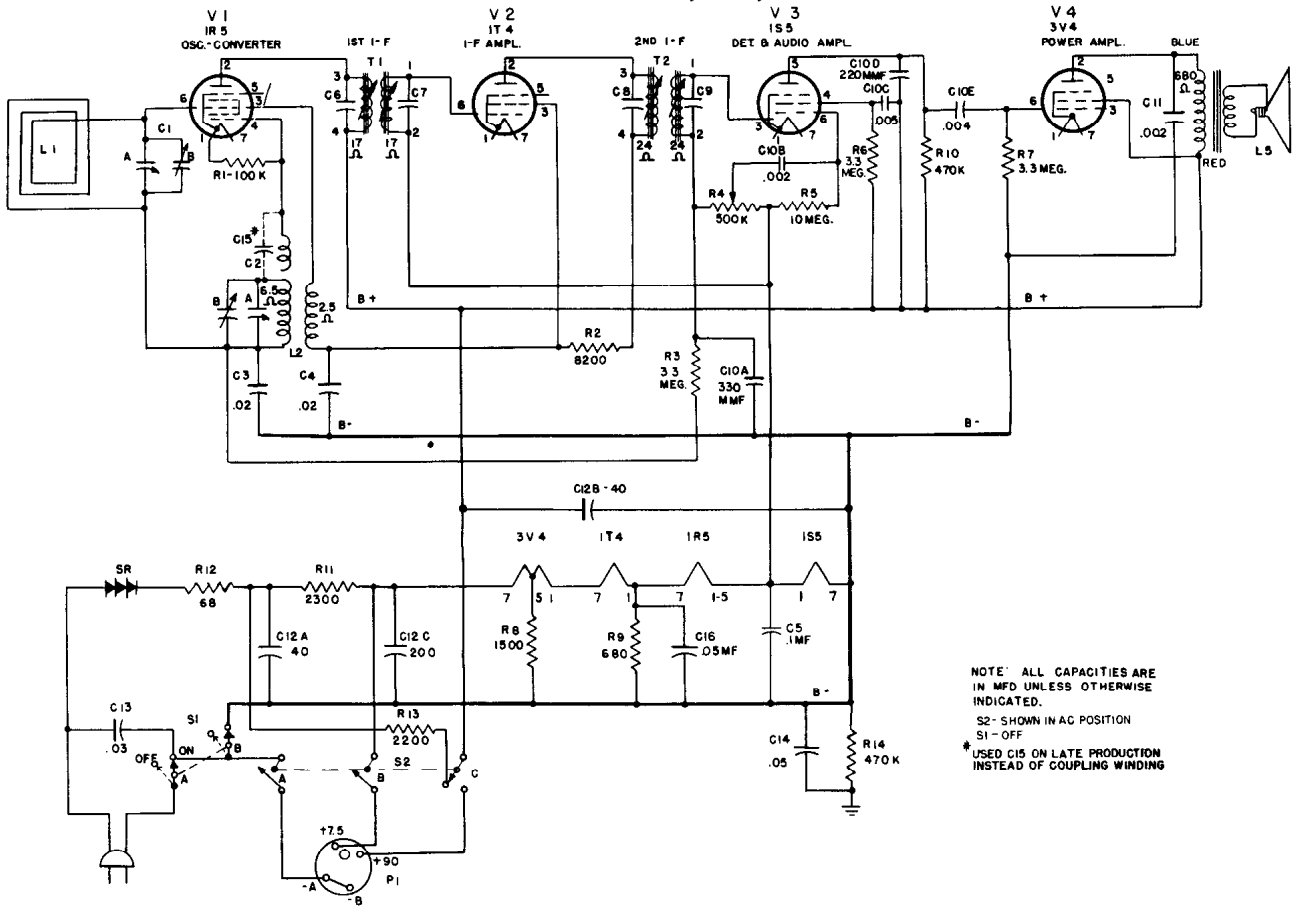


NOTE:
 ALL CAPACITIES ARE IN MFD
 UNLESS OTHERWISE INDICATED.
 * USE C15 ON LATE PRODUCTION INSTEAD
 OF COUPLING WINDING

REPLACEMENT PARTS LIST 600

Cat. No.	Symbol	Description	Suggested Unit List Price	Cat. No.	Symbol	Description	Suggested Unit List Price
UNIVERSAL REPLACEMENT PARTS							
*UCC-002	C11	CAPACITOR—002 mf, 200 v, paper	\$0.25	*RRC-107	R4, S1	VOLUME CONTROL—Volume control and switch	\$1.65
*UCC-009	C3, 4	CAPACITOR—.02 mfd, 200 v, paper	.25	*RRD-1015	R11†	RESISTOR—20 meg, ½ w, carbon	.13
*UCC-028	C14	CAPACITOR—.05 mfd, 400 v, paper	.25	*RRW-042	R11††	RESISTOR—2300 ohms, 10 w, w.w.	.85
*UCC-042	C13	CAPACITOR—.03 mfd, 400 v, paper	.30	*RSW-058	S2††	SWITCH—Power plug switch	.85
*UCC-048	C5	CAPACITOR—1 mfd, 400 v, paper	.45	*RTL-052	T1††	TRANSFORMER—I-F transformer	2.75
*URD-045	R9††	RESISTOR—680 ohms, ½ w, carbon	.13	*RTL-051	T2†	TRANSFORMER—I-F transformer	3.25
*URD-047	R9†	RESISTOR—820 ohms, ½ w, carbon	.13	*RTL-079	T1†, 2††	TRANSFORMER—I-F transformer	2.75
*URD-053	R8	RESISTOR—1500 ohms, ½ w, carbon	.13	*RTO-070	T3	TRANSFORMER—Output transformer	1.55
*URD-071	R2	RESISTOR—8200 ohms, ½ w, carbon	.13	*RWL-005††		POWER CORD	1.25
*URD-097	R1	RESISTOR—100,000 ohms, ½ w, carbon	.13	SPECIALIZED REPLACEMENT PARTS			
*URD-113	R10††, 14††	RESISTOR—470,000 ohms, ½ w, carbon	.13	*RAB-096		BACK—Cabinet back	\$2.10
*URD-133	R3, 6, 7	RESISTOR—3.3 meg, ½ w, carbon	.13	*RAU-308		CABINET—Plastic cabinet	5.75
*URD-145	R5	RESISTOR—10 meg, ½ w, carbon	.13	*RCE-095††	C12A, B, C	CAPACITOR—Electrolytic capacitor 40 mf, 150 v; 40 mf, 250 v; 200 mf, 20 v	2.95
*URE-021	R12††	RESISTOR—68 ohms, 1 w, carbon	.17	*RCE-098†	C12	CAPACITOR—Electrolytic capacitor 10 mf	.95
*URE-057	R13††	RESISTOR—2200 ohms, 1 w, carbon	.17	*RCT-036	C1, 2	CAPACITOR—Tuning capacitor	3.95
*UOP-457		SPEAKER—PA speaker, 4 inches	4.25	*RCW-3015	C10A, B, 10C, D, E	CAPACITOR—Ceramic combination 220 mmf, .002 mf, .005, 220 mmf, .004 mf	1.10
*RHJ-005††		SPACER—For tuning capacitor	.02	*RDC-032		DIAL CORD	2.50/25 yd
*RHM-062		CLIP—Speaker clip	.02	*RDK-136		KNOB	.15
*RHY-010		HANDLE—Handle for cabinet	1.00	*RDP-050		POINTER—Dial pointer	.10
*RJC-016		TERMINAL—Speed nut	.05	*REX-005	SR	RECTIFIER—Selenium rectifier	2.50
*RJS-024††		MOUNTING PLATE—For electrolytic capacitor	.10	*RHB-006		BUTTON—Plug button	.10
*RJS-100		SOCKET—Tube socket for 1R5	.20	*RHC-015		CLIP—Oscillator coil clip	.02
*RJS-124		SOCKET—Tube socket for 1S5 & 3V4	.20	*RHC-016		COTTER PIN—For drive axle	.01
*RJS-125		SOCKET—Tube socket for 1T4 tube	.20	*RHC-020		COTTER PIN—Cotter pin for handle	.01
*RHC-015		CLIP—Oscillator coil clip	.02	*RHE-009		EYELET—Eyelet for cabinet	.03
*RJC-016		TERMINAL—Speed nut	.05	*RHG-006††		GROMMET—For power cord	.05
*RLC-101	L2	COIL—Oscillator coil	.90	*RHE-018††		GROMMET—For tuning capacitor	.05
*RLL-035	L1	LOOP—Loop antenna	1.00	*RHI-009		HINGE—Hinge for cabinet	.25
*RMC-040		CATCH—Spring catch	.65				
*RMS-118		SPRING—Dial spring	.10				
*RMU-049		SHAFT—Tuning shaft	.30				

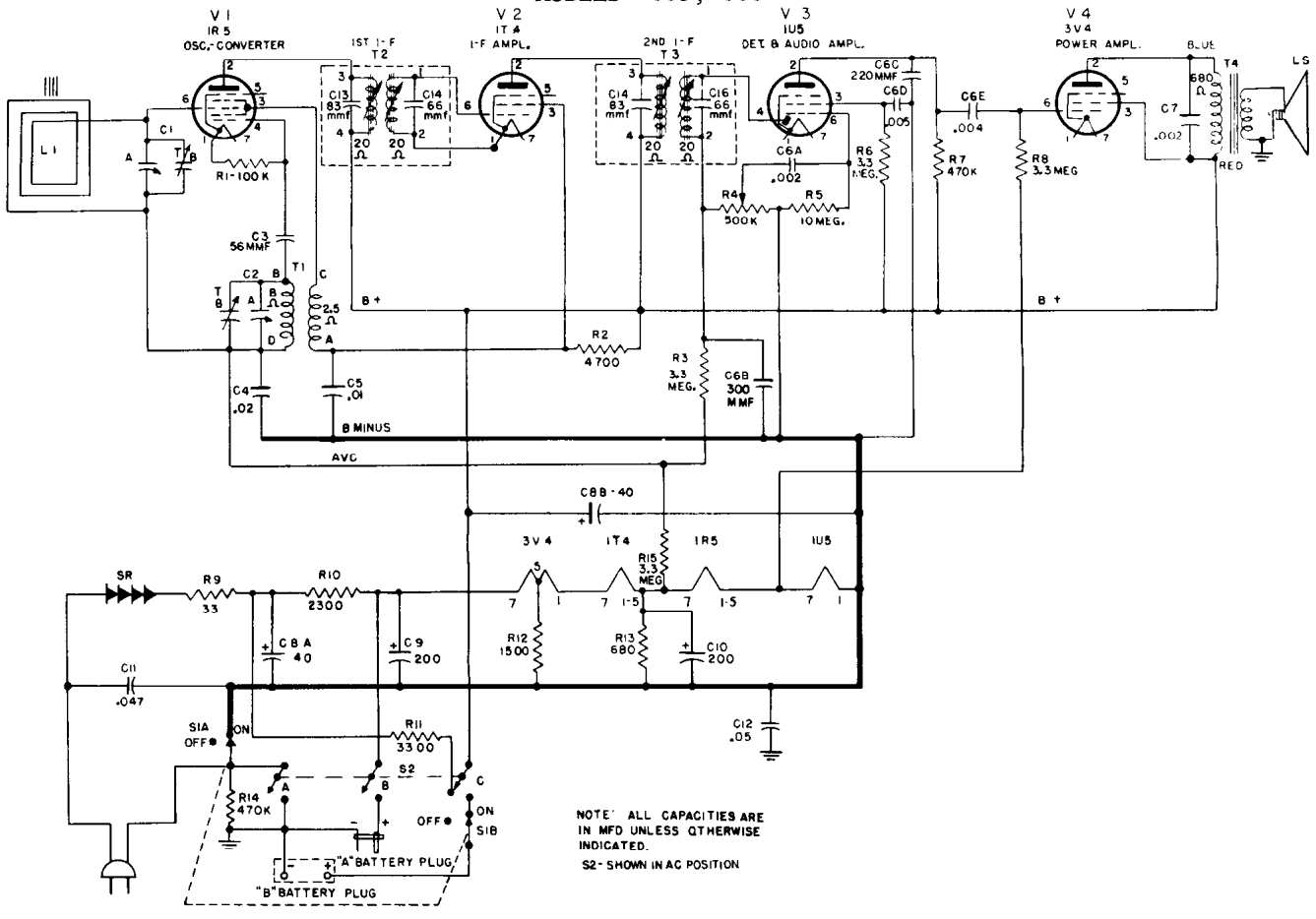
MODELS 601, 603, 604



REPLACEMENT PARTS LIST 601, 603, 604

Cat. No.	Symbol	Description	Suggested Unit List Price	Cat. No.	Symbol	Description	Suggested Unit List Price
UNIVERSAL REPLACEMENT PARTS							
*UCC-002	C11	CAPACITOR—.002 mfd, 200 v, paper	\$0.25	*RRC-107	R4, S1	VOLUME CONTROL—Volume control and switch	\$1.65
*UCC-009	C3, 4	CAPACITOR—.02 mfd, 200 v, paper	.25	*RRD-1015	R11†	RESISTOR—20 meg, ½ w, carbon	.13
*UCC-028	C14	CAPACITOR—.05 mfd, 400 v, paper	.25	*RRW-042	R11††	RESISTOR—2300 ohms, 10 w, w.w.	.85
*UCC-042	C13	CAPACITOR—.03 mfd, 400 v, paper	.30	*RSW-058	S2††	SWITCH—Power plug switch	.85
*UCC-048	C5	CAPACITOR—.1 mfd, 400 v, paper	.45	*RTL-052	T1††	TRANSFORMER—I-F transformer	2.75
*URD-045	R9††	RESISTOR—680 ohms, ½ w, carbon	.13	*RTL-051	T2†	TRANSFORMER—I-F transformer	3.25
*URD-047	R9†	RESISTOR—820 ohms, ½ w, carbon	.13	*RTL-079	T1†, 2††	TRANSFORMER—I-F transformer	2.75
*URD-053	R8	RESISTOR—1500 ohms, ½ w, carbon	.13	*RTO-070	T3	TRANSFORMER—Output transformer	1.55
*URD-071	R2	RESISTOR—8200 ohms, ½ w, carbon	.13	*RWL-005††		POWER CORD	1.25
*URD-097	R1	RESISTOR—100,000 ohms, ½ w, carbon	.13	SPECIALIZED REPLACEMENT PARTS			
*URD-113	R10††, 14††	RESISTOR—470,000 ohms, ½ w, carbon	.13	*RAB-096		BACK—Cabinet back	\$2.10
*URD-133	R3, 6, 7	RESISTOR—3.3 meg, ½ w, carbon	.13	*RAU-308		CABINET—Plastic cabinet	5.75
*URD-145	R5	RESISTOR—10 meg, ½ w, carbon	.13	*RCE-095††	C12A, B, C	CAPACITOR—Electrolytic capacitor 40 mf, 150 v; 40 mf, 250 v; 200 mf, 20 v	2.95
*URE-021	R12††	RESISTOR—68 ohms, 1 w, carbon	.17	*RCE-098†	C12	CAPACITOR—Electrolytic capacitor 10 mf	.95
*URE-057	R13††	RESISTOR—2200 ohms, 1 w, carbon	.17	*RCT-036	C1, 2	CAPACITOR—Tuning capacitor	3.95
*UOP-457		SPEAKER—PA speaker, 4 inches	4.25	*RCW-3015	C10A, B, 10C, D, E	CAPACITOR—Ceramic combination 220 mmf, .002 mf, .005, 220 mmf, .004 mf	1.10
*RHJ-005††		SPACER—For tuning capacitor	.02	*RDC-032		DIAL CORD	2.50/25 yd
*RHM-062		CLIP—Speaker clip	.02	*RDK-136		KNOB	.15
*RHY-010		HANDLE—Handle for cabinet	1.00	*RDP-050		POINTER—Dial pointer	.10
*RJC-016		TERMINAL—Speed nut	.05	*REX-005		RECTIFIER—Selenium rectifier	2.50
*RJS-024††		MOUNTING PLATE—For electrolytic capacitor	.10	*RHB-006		BUTTON—Plug button	.10
*RJS-100		SOCKET—Tube socket for 1R5	.20	*RHC-015		CLIP—Oscillator coil clip	.02
*RJS-124		SOCKET—Tube socket for 1S5 & 3V4	.20	*RHC-016		COTTER PIN—For drive axle	.01
*RJS-125		SOCKET—Tube socket for 1T4 tube	.20	*RHC-020		COTTER PIN—Cotter pin for handle	.01
*RHC-015		CLIP—Oscillator coil clip	.02	*RHE-009		EYELET—Eyelet for cabinet	.03
*RJC-016		TERMINAL—Speed nut	.05	*RHG-006††		GROMMET—For power cord	.05
*RLC-101	L2	COIL—Oscillator coil	.90	*RHG-018††		GROMMET—For tuning capacitor	.05
*RLL-035	L1	LOOP—Loop antenna	1.00	*RHI-009		HINGE—Hinge for cabinet	.25
*RMC-040		CATCH—Spring catch	.65				
*RMS-118		SPRING—Dial spring	.10				
*RMU-049		SHAFT—Tuning shaft	.30				

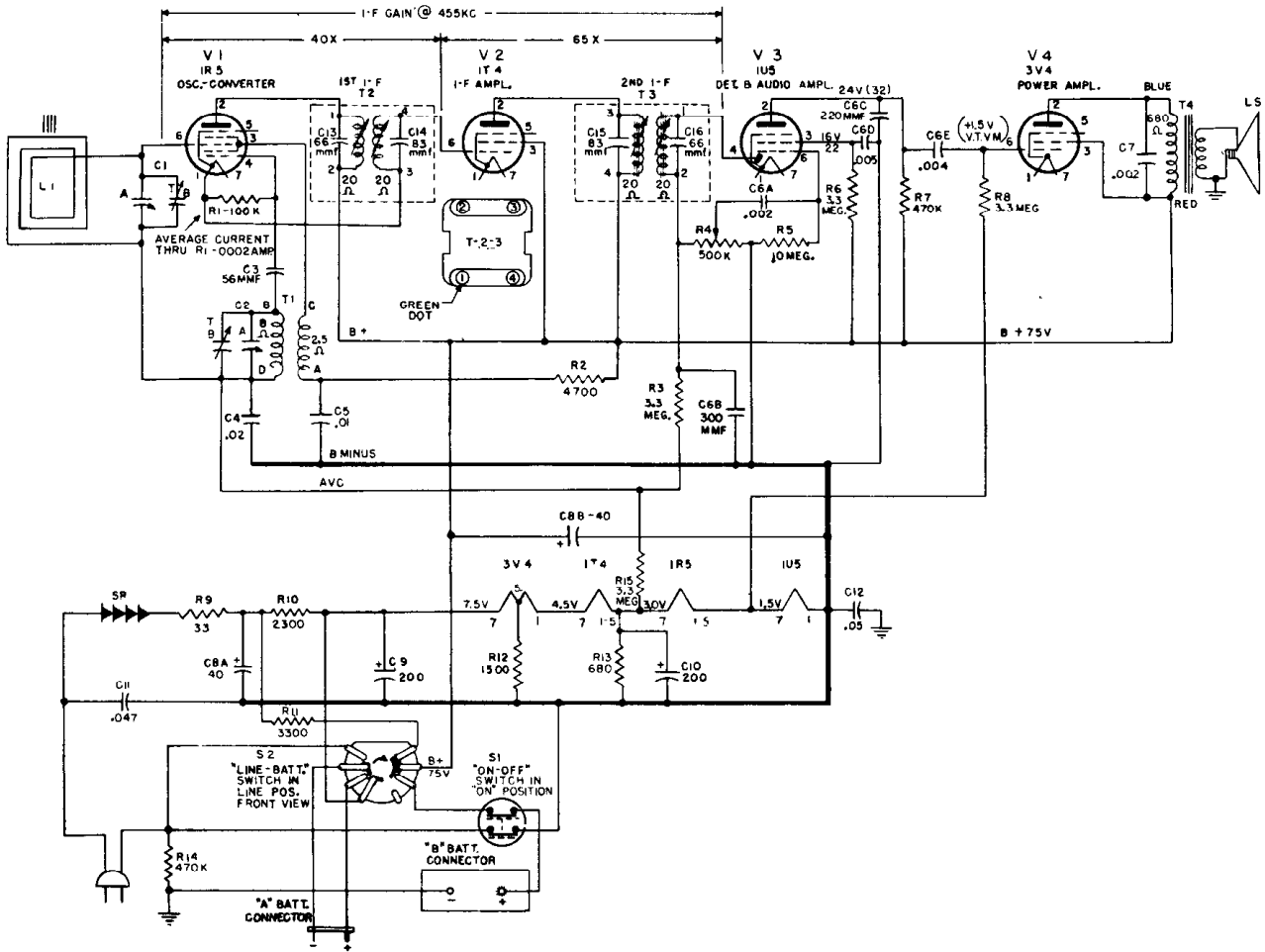
MODELS 605, 606



REPLACEMENT PARTS LIST—MODELS 605 AND 606

Cat. No.	Symbol	Description	Unit Price	Cat. No.	Symbol	Description	Unit Price
CAPACITORS				MISCELLANEOUS MECHANICAL PARTS (Cont'd)			
*RCE-051	C8, A, B	40-40 mfd., 150 w.v., electrolytic filter capacitor	\$2.05	RDS-107		DIAL SCALE	.50
RCE-132	C9, 10	200 mfd., 10 w.v., electrolytic filter capacitor	1.50	RHB-016		STUD—Chassis cover mounting stud	.05
RCT-053	C1A, C1B, C2A, C2B	Tuning capacitor	3.95	*RHC-008		CLIP—1 inch electrolytic filter capacitor mounting clip	.10
*RCW-3015	C6A, B, C, C6D, E	.002 mfd., .004 mfd., .005 mfd., 220 mmf., 300 mmf., ceramic	1.10	RHI-017		INSULATOR—Power cord strain relief insulator	.15
*RCW-3018	C7	.002 mfd., ceramic	.25	*RHM-001		WASHER "C" washer for tuning shaft	.05
*RCW-3054	C5	.02 mfd., ceramic	.35	*RHM-052		CLIP—Tinnerman speaker mounting clip	.02
*UCC-041	C4	.03 mfd., 600 v., paper	.25	RHS-083		SCREW—Round-head Phillips screw for mounting latch clip	.05
*UCC-042	C11	.03 mfd., 600 v., paper	.30	RII-060		INSULATOR—Tuning gang mounting insulator (top)	.05
*UCC-045	C12	.05 mfd., 600 v., paper	.30	RII-061		INSULATOR—Tuning gang mounting insulator (bottom)	.05
*UCG-022	C3	56 mmf., silver mica	.25	RII-065		INSULATOR—Fiber bushing for mounting handle ends to chassis	.30
RESISTORS				MISCELLANEOUS MECHANICAL PARTS (Cont'd)			
RRW-042	R10	2300 ohms, 10 w., w.w.	.85	RMC-002		CLIP—Oscillator coil mounting clip	.05
*URD-013	R9	33 ohms $\pm 10\%$, $\frac{1}{4}$ w., carbon	.13	*RMC-053		CLIP—Back cover latch clip	.05
*URD-045	R13	680 ohms $\pm 10\%$, $\frac{1}{4}$ w., carbon	.13	*RMS-130		SPRING—Dial cord tension spring	.15
*URD-053	R12	1500 ohms $\pm 10\%$, $\frac{1}{4}$ w., carbon	.13	RMX-183		SHAFT—Tuning shaft and bushing	.35
*URD-065	R2	4700 ohms $\pm 10\%$, $\frac{1}{4}$ w., carbon	.13	CABINET PARTS			
*URD-097	R1	100,000 ohms $\pm 10\%$, $\frac{1}{4}$ w., carbon	.13	RAB-187		BACK—Maroon plastic cabinet back for Model 605	2.35
*URD-113	R7	470,000 ohms $\pm 10\%$, $\frac{1}{4}$ w., carbon	.13	RAB-188		BACK—Green plastic cabinet back for Model 606	2.35
*URD-133	R6, 8, 15	3.3 meg. $\pm 10\%$, $\frac{1}{4}$ w., carbon	.13	RAC-109		CABINET—Maroon plastic cabinet less back cover, hinges, etc., for Model 605	5.75
*URD-145	R5	10 meg. $\pm 10\%$, $\frac{1}{4}$ w., carbon	.13	RAC-110		CABINET—Green plastic cabinet less back cover, hinges, etc., for Model 606	5.75
*URE-061	R11	3300 ohms $\pm 10\%$, 1 w., carbon	.17	RAC-097		COVER—Front dial cover, plastic	1.25
MISCELLANEOUS ELECTRICAL PARTS				RAG-044		GRILLE CLOTH—Maroon grille cloth mounted on cardboard	.50
REX-005	SR	RECTIFIER—Selenium rectifier	2.50	RAG-045		GRILLE CLOTH—Green grille cloth mounted on cardboard	.50
RJC-022		CONNECTOR—"B" battery connector	.40	RAI-008		COVER STOP—Black rubber block	.05
RJP-033		PLUG—"A" battery plug	.15	RDK-252		KNOB—Green plastic knob with clip	.15
*RJS-100		SOCKET—7 pin miniature tube socket, tan, wax impregnated	.20	RDK-253		KNOB—Fawn plastic knob with clip	.15
*RJS-124		SOCKET—7 pin miniature tube socket, dark brown, unimpregnated	.20	*RHC-036		CLIP—Tinnerman cover mounting clip	.05
*RJS-125		SOCKET—7 pin miniature tube socket, unimpregnated, dark brown with center shield pin	.20	*RHE-010		EYELET—For mounting front cover	.05
*RLC-101	T1	TRANSFORMER—Oscillator transformer	.90	*RHI-016		HINGE—Back hinge	.15
RLL-046	L1	ANTENNA—Ferrite antenna	2.20	*RHN-020		POST—Mounts handle bar to handle end	.10
RRC-166	R4, S1A, B	CONTROL—0.5 meg., volume control with ON-OFF switch	1.65	*RHR-013		RIVET—For cabinet back hinge	.01
*RSW-088	S2A, B, C	SWITCH—Battery-line changeover switch	1.75	*RHS-081		SCREW—Mounts handle bar to handle end	.40
*RTL-052	T2, 3, C13, 14, 15, 16	TRANSFORMER—1st or 2nd i-f transformer with capacitors molded in base	2.75	RHS-097		SCREW—For mounting cabinet catch	.05
*RTO-108	T4	TRANSFORMER—Audio output transformer	2.25	RHY-034		HANDLE END—Chromium plated end	.85
RWL-005		POWER CORD—A-C line cord and plug	1.25	RHY-035		HANDLE BAR—Fawn plastic rod for handle	.90
*S400D	L5	SPEAKER—4-inch PM loudspeaker	4.90	*RHY-036		HANDLE BAR—Green plastic rod for handle	.90
MISCELLANEOUS MECHANICAL PARTS				RHS-097		SCREW—For mounting cabinet catch	.05
RAD-078		BRACKET—Ferrite antenna mounting bracket	.05	RHY-034		HANDLE END—Chromium plated end	.85
RAX-028		BRACKET—Latch bracket and spring	.25	RHY-035		HANDLE BAR—Fawn plastic rod for handle	.90
*RDC-032		DIAL CORD—Fine nylon dial cord, 25 yards bulk	2.50	RHY-036		HANDLE BAR—Green plastic rod for handle	.90
RDP-061		POINTER—Dial pointer	\$0.25	RML-051		LATCH—Front cover release	.70
				RMP-031		PIVOT ROD—Brass rod, .062 in. x 1 $\frac{1}{4}$ in. long for latch	.15
				RMS-244		SPRING—Left spring for front cover	.05
				RMS-245		SPRING—Right spring for front cover	.05

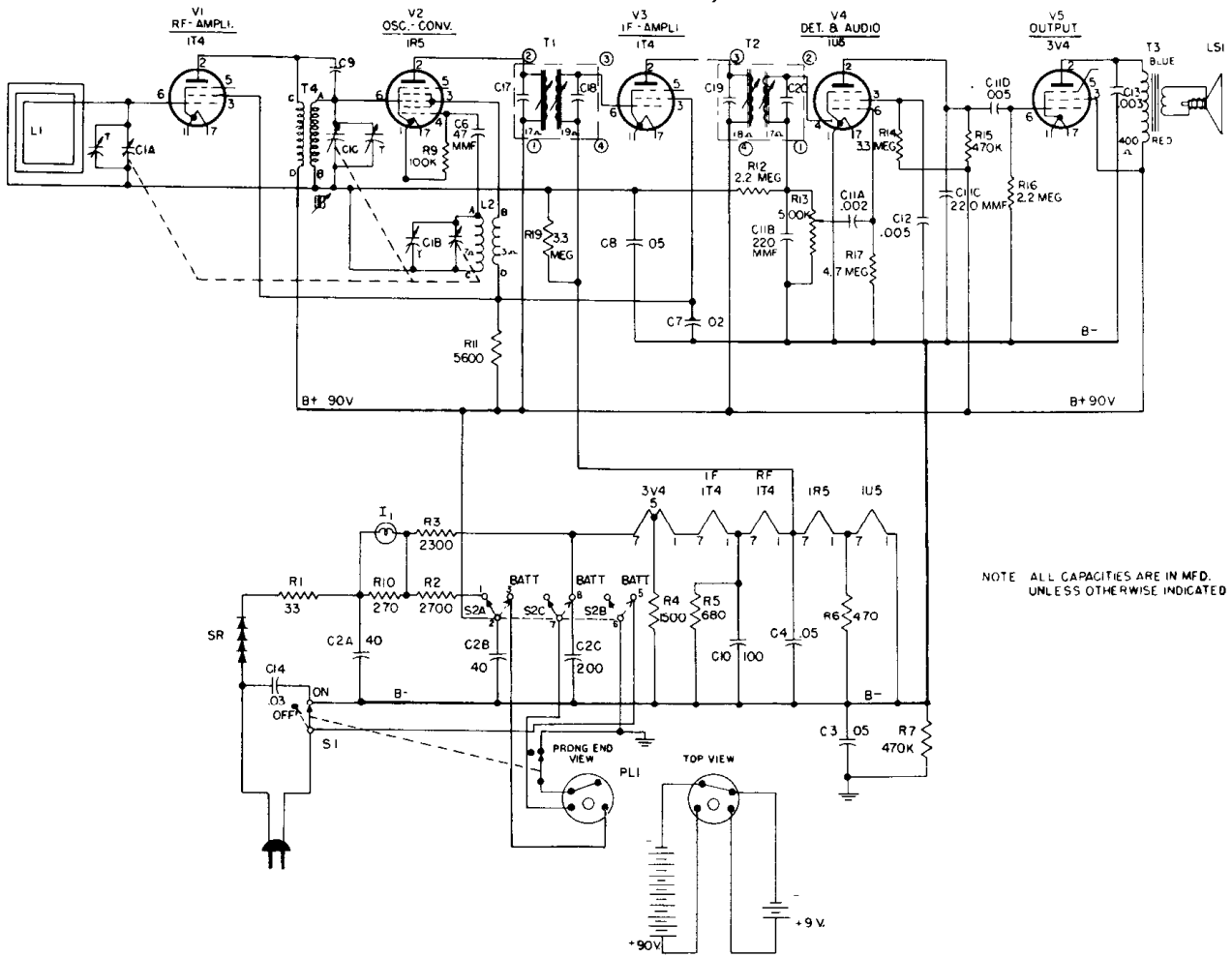
607, 608



REPLACEMENT PARTS LIST—MODELS 607 AND 608

Cat. No.	Symbol	Description	Unit Price	Cat. No.	Symbol	Description	Unit Price
CABINET PARTS				MISCELLANEOUS MECHANICAL PARTS			
△RAB-187		BACK—Maroon plastic cabinet back for Model 607, with half hinge	\$2.35	*RAD-078		BRACKET—Ferrite antenna mounting bracket	\$0.05
△RAB-188		BACK—Green plastic cabinet back for Model 608, with half hinge	2.35	*RAX-028		BRACKET—Latch bracket and spring	.25
△RAC-109		CABINET—Maroon plastic cabinet less back, with half hinge, Model 607	5.75	*RDC-032		DIAL CORD—Fine nylon dial cord, 25 yards bulk	2.50
△RAC-110		CABINET—Green plastic cabinet less back, with half hinge, Model 608	5.75	*RDP-061		POINTER—Dial pointer	.25
*RAC-097		COVER—Front dial cover, plastic	1.25	△RDS-116		DIAL SCALE	.50
*RAG-044		GRILLE CLOTH—Maroon grille cloth mounted on cardboard	.50	*RHB-016		STUD—Chassis cover mounting stud	.05
*RAG-045		GRILLE CLOTH—Green grille cloth mounted on cardboard	.50	*RHC-008		CLIP—1 inch electrolytic filter capacitor mounting clip	.10
*RAI-008		COVER STOP—Black rubber block	.05	*RH1-017		INSULATOR—Power cord strain relief insulator	.15
*RDK-284		KNOB—Ivory plastic knob with clip	.15	*RHM-001		WASHER—"C" washer for tuning shaft	.05
*RHC-036		CLIP—Tinnerman cover mounting clip	.05	*RHM-052		CLIP—Tinnerman speaker mounting clip	.02
△RHE-012		EYELET—For mounting hinges	.05	*RHS-083		SCREW—Round-head Phillips screw for mounting latch clip	.05
*RHI-024		HINGE—Back hinge, both halves	.00	*RII-060		INSULATOR—Tuning gang mounting insulator (top)	.05
*RHN-020		POST—Mounts handle bar to handle end	.10	*RII-061		INSULATOR—Tuning gang mounting insulator (bottom)	.05
*RHR-013		RIVET—For cabinet back hinge	.01	*RII-065		INSULATOR—Fiber bushing for mounting handle ends to chassis	.30
*RHS-081		SCREW—Mounts handle bar to handle end	.40	*RMC-002		CLIP—Oscillator coil mounting clip	.05
*RHS-084		SCREW—For mounting cabinet catch	.05	*RMC-053		CLIP—Back cover latch clip	.05
*RHY-034		HANDLE END—Chromium plated end	.85	*RMS-130		SPRING—Dial cord tension spring	.15
*RHY-043		HANDLE BAR—Ivory plastic rod for handle	.90	*RMX-183		SHAFT—Tuning shaft and bushing	.35
*RML-051		LATCH—Front cover release	.70	CAPACITORS			
*RMP-031		PIVOT ROD—Brass rod, .062 in. x 1 3/4 in. long for latch	.15	*RCE-051	C8, A, B	40-40 mfd., 150 v.v., electrolytic filter capacitor	\$2.05
*RMS-244		SPRING—Left spring for front cover	.05	*RCE-132	C9, 10	200 mfd., 10 v.v., electrolytic filter capacitor	1.50
*RMS-245		SPRING—Right spring for front cover	.05	*RCT-053	C1A, C1B, C2A, C2B	Tuning capacitor	3.95
MISCELLANEOUS ELECTRICAL PARTS				*RCW-3015	C6A, B, C, D, E	.002 mfd., .004 mfd., .005 mfd., 220 mmf., 300 mmf., ceramic	1.10
*REX-005	SR	RECTIFIER—Selenium rectifier	\$2.50	*RCW-3018	C7	.002 mfd., ceramic	.25
*RJC-022		CONNECTOR—"B" battery connector	.40	*RCW-3054	C5	.01 mfd., ceramic	.35
*RJP-033		PLUG—"A" battery plug	.15	*UCC-041	C4	.02 mfd., 600 v., paper	.25
*RJS-100		SOCKET—7 pin miniature tube socket, tan, wax impregnated	.20	*UCC-045	C12	.03 mfd., 600 v., paper	.30
*RJS-124		SOCKET—7 pin miniature tube socket, dark brown, unimpregnated	.20	*UCG-022	C3	.05 mfd., 600 v., paper	.30
*RJS-125		SOCKET—7 pin miniature tube socket, unimpregnated, dark brown with center shield pin	.20			56 mmf., silver mica	.25
*RLC-101	T1	TRANSFORMER—Oscillator transformer	.90	RESISTORS			
*RLL-046	L1	ANTENNA—Ferrite antenna	2.20	*RRW-042	R10	2300 ohms, 10 w., w.w.	\$0.85
*RRC-166	R4, S1A, B	CONTROL—0.5 meg., volume control with ON-OFF switch	1.65	*URD-013	R9	33 ohms ±10%, 1/2 w., carbon	.13
*RSW-088	S2A, B, C	SWITCH—Battery-line changeover switch	1.75	*URD-045	R13	680 ohms ±10%, 1/2 w., carbon	.13
*RTL-052	T2, 3, C13	TRANSFORMER—1st or 2nd i-f transformer with capacitors molded in base	2.75	*URD-053	R12	1500 ohms ±10%, 1/2 w., carbon	.13
*RTO-108	T4	TRANSFORMER—Audio output transformer	2.25	*URD-065	R2	4700 ohms ±10%, 1/2 w., carbon	.13
*RWL-005		POWER CORD—A-C line cord and plug	1.25	*URD-097	R1	100,000 ohms ±10%, 1/2 w., carbon	.13
*S400D	L5	SPEAKER—4-inch PM loudspeaker	4.90	*URD-113	R7	470,000 ohms ±10%, 1/2 w., carbon	.13
				*URD-133	R6, 8, 15	3.3 meg. ±10%, 1/2 w., carbon	.13
				*URD-145	R5	10 meg. ±10%, 1/2 w., carbon	.13
				*URE-061	R11	3300 ohms ±10%, 1 w., carbon	.17

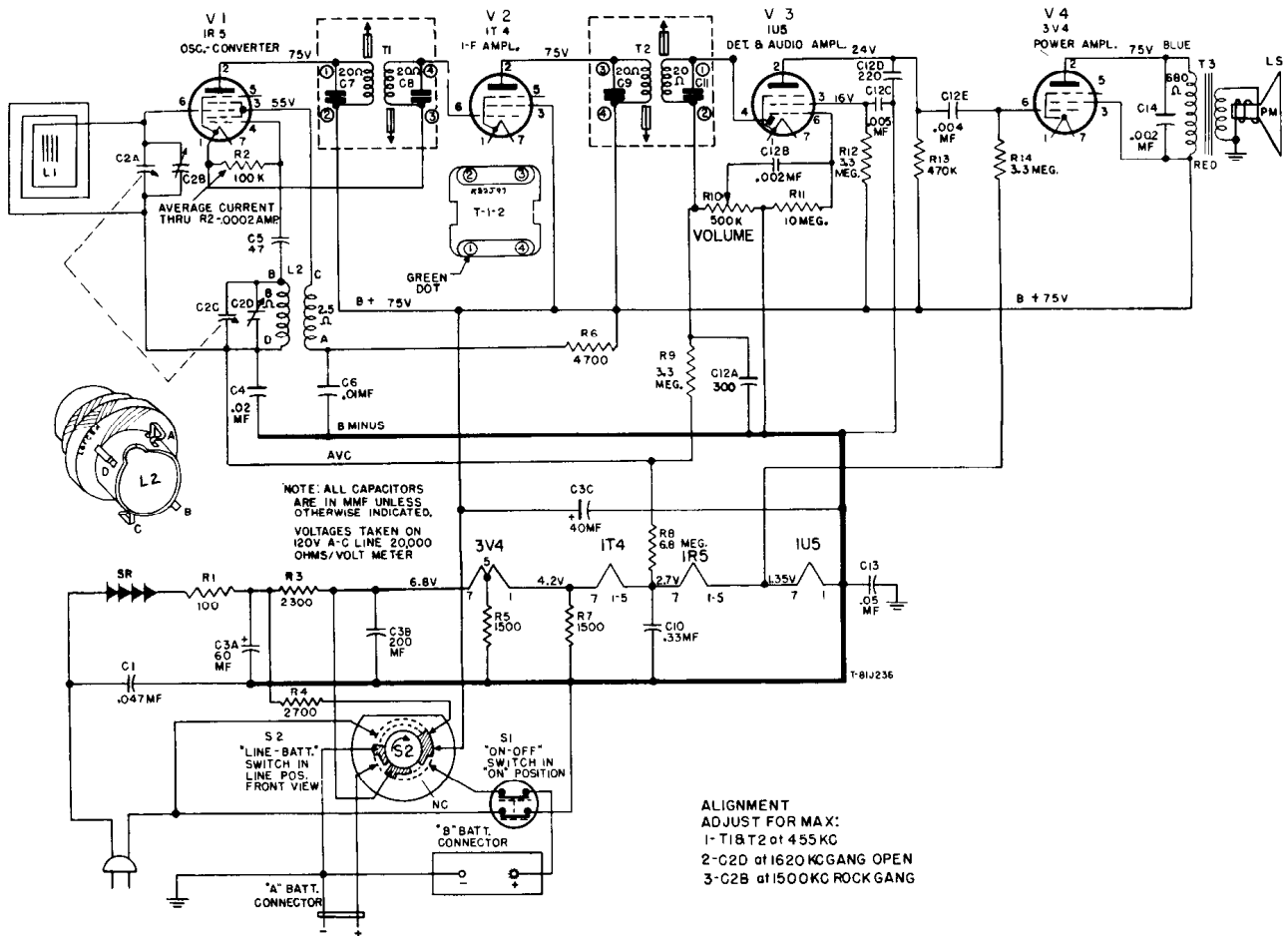
MODELS 610, 611



REPLACEMENT PARTS LIST 610, 611

Cat. No.	Symbol	Description	Suggested Unit List Price	Cat. No.	Symbol	Description	Suggested Unit List Price
CAPACITORS				MISCELLANEOUS MECHANICAL PARTS (Cont'd)			
*RCE-095	C2A, B, C	40, 40, 200 mfd., 150, 150; 25 volts, electrolytic	\$2.95	RHB-015		PLUG BUTTON—For 611	\$0.10
RCE-131	C10	100 mfd., 6 v., electrolytic	1.35	*RHC-015		CLIP—For oscillator coil	.02
RCT-051	C1A, B, C	Tuning capacitor	5.25	RHE-010		EYELET—For cabinet catch	.05
*RCW-1073	C6	47 mmf., ceramic	.60	*RHG-018		GROMMET—For mounting tuning condenser	.05
RCW-3015	C11A, B, C, C11D, C12	Ceramic	1.10	*RHI-011		STRAIN RELIEF—On power cord	.15
*RCW-3056	C9	4.7 mmf., ceramic	.25	RHI-016		HINGE—Cabinet hinge	.15
*UCC-037	C13	.003 mf., 600 v., paper	.25	RHJ-005		SPACER—For mounting gang	.01
*UCC-041	C7	.02 mf., 600 v., paper	.25	*RHM-043		RING—Retaining ring for pointer shaft	.01
*UCC-042	C14	.03 mf., 600 v., paper	.30	RHN-020		POST—Screw post for handle	.01
*UCC-045	C3, 4, 8	.05 mfd., 600 v., paper	.30	*RHR-002		RIVET—For cabinet back catch	.01
				RHR-013		RIVET—For cabinet hinge	.01
				*RHS-305		SPACER—For mounting tuning condenser	.03
RESISTORS				RHS-081		SCREW—Handle screw extends through handle	.40
RRC-155	R13, S1A, S1B	VOLUME CONTROL AND SWITCH	\$1.65	RHS-082		SCREW—Hex-head screw #6 x 5/8 in. long for cabinet back catch	.05
*RRW-027	R3	2300 ohms, 1/2 w., w.w.	1.00	*RJS-024		PLATE—Mounting plate for electrolytic capacitor (C2)	.10
*URD-041	R6	470 ohms, 1/2 w., carbon	.13	RMC-053		CATCH—For cabinet back	.05
*URD-045	R5	680 ohms, 1/2 w., carbon	.13	*RMS-120		SPRING—Dial cord tension spring	.15
*URD-053	R4	1500 ohms, 1/2 w., carbon	.13	RMU-074		SHAFT—Tubular shaft for tuning control	.35
*URD-067	R11	5600 ohms, 1/2 w., carbon	.13				
*URD-097	R9	100,000 ohms, 1/2 w., carbon	.13				
*URD-113	R7, 15	470,000 ohms, 1/2 w., carbon	.13				
*URD-129	R12, 16	2.2 meg., 1/2 w., carbon	.13				
*URD-133	R14, 19	3.3 meg., 1/2 w., carbon	.13				
*URD-137	R17	4.7 meg., 1/2 w., carbon	.13				
*URE-013	R1	33 ohms, 1 w., carbon	.17				
*URE-059	R2	2700 ohms, 1 w., carbon	.17				
*URF-035	R10	270 ohms, 2 w., carbon	.25				
MISCELLANEOUS ELECTRICAL PARTS							
*RER-001	SR	RECTIFIER—Selenium rectifier	\$0.66 net	RAB-161		BACK—Cabinet back (maroon) for 610	\$3.90
*RHS-010		SHIELD—Tube shield for V4	.20	RAB-162		BACK—Cabinet back for Model 611	3.90
RIL-065		INSULATOR—For handle	.10	RAC-092		FRONT—Cabinet front (maroon) for 610	7.95
*RJP-025	PL1	PLUG—Battery plug (male)	.15	RAC-093		FRONT—Cabinet front (green) for Model 611	7.95
*RJS-100		SOCKET—Tube socket for V2	.20	RAC-094		COVER—Chassis cover	.75
*RJS-124		SOCKET—Tube socket for V4 and V5	.20	RAD-077		BRACKET—For mounting cabinet handle	.45
*RJS-125		SOCKET—Tube socket for V1, V3	.20	RAG-042		GRILLE CLOTH—Maroon, for Model 610	.35
RJX-031		SOCKET—Dial light socket	.40	RAG-043		GRILLE CLOTH—Gray, for Model 611	.35
*RLB-030	T4	TRANSFORMER—RF coupling	1.95	*RDC-032		DIAL CORD	2.50/25 yds
*RLC-068	L2	COIL—Oscillator coil	1.15	RDE-116		ESCUTCHEON—Cabinet escutcheon for Model 610	2.75
RLI-045	L1	LOOP	1.20	RDE-117		ESCUTCHEON—For Model 611	2.75
RSW-088	S2A, B, C	SWITCH—AC, DC to battery switch	1.75	RDK-248		KNOB—ON-OFF-VOLUME for Model 610, fawn color	.20
*RTL-052	T1	TRANSFORMER—1st IF transformer	2.75	RDK-249		KNOB—ON-OFF-VOLUME knob for Model 611, green color	.20
*RTL-079	T2	TRANSFORMER—2nd IF transformer	2.75	RDK-250		KNOB—Tuning knob for Model 610, fawn color	.35
*RTO-050	T3	TRANSFORMER—Output transformer	2.25	RDK-251		KNOB—Tuning knob for Model 611, green color	.35
*RWL-005		POWER CORD	1.25	RHF-011		FOOT—Cabinet foot button (maroon) for Model 610	.05
*S-400C-19		SPEAKER—4-inch speaker	5.45	RHF-012		FOOT—Cabinet foot button (gray) for Model 611	.05
MISCELLANEOUS MECHANICAL PARTS				RHY-034		HANDLE END	.85
RDS-106		DIAL SCALE	\$1.80	RHY-035		HANDLE—Fawn colored for Model 610	.90
RDP-060		DIAL POINTER	.45	RHY-043		HANDLE—Green, for Model 611	.90
RDX-047		DRUM—Pointer drum and shaft assembly, fastened with retaining ring	.35				
RHB-006		RHM-043	.35				
		PLUG BUTTON—For 610	.10				

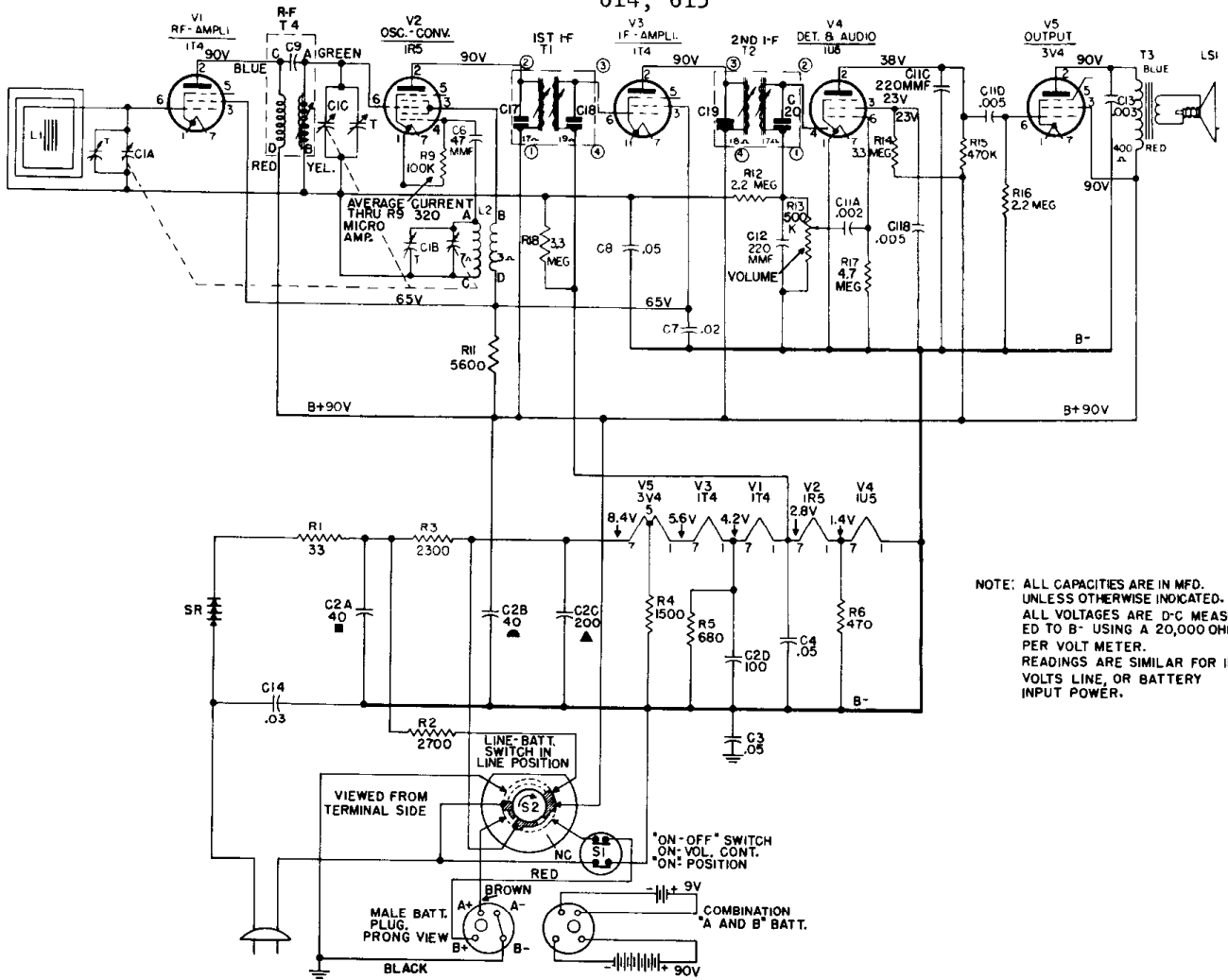
MODELS 612, 613



REPLACEMENT PARTS LIST, MODELS 612, 613

CAT. NO.	SYMBOL	DESCRIPTION	UNIT PRICE	CAT. NO.	SYMBOL	DESCRIPTION	UNIT PRICE
CAPACITORS				MISCELLANEOUS MECHANICAL (CONT'D)			
RCE-151	C3A, B, C	60 mf. -40 mf., 150 v., 200 mf., 20 v., cardboard case tubular electrolytic	\$3.25	*RHB-016		SNAP FASTENER—Chassis cover mounting stud	\$0.05
RCN-053	C1	.047 mf., ±20%, 600 v., paper, molded	.35	*RHC-053		CLIP—I-F transformer mounting	.02
RCN-070	C10	.33 mf., 100 v., paper	.50	*RHI-017		STRAIN RELIEF—Two-piece strain relief and insulator, for power cord entrance in chassis	.15
RCT-067	C2A, B, C, D	Tuning capacitor, three-gang	3.75	*RHM-025		"C" WASHER—Retainer ring for control shafts	.01
*RCW-3015	C12A, B, C, D	300 mmf., .002 mf., .005 mf., 220 mmf., ceramic couplate	1.10	*RHM-052		CLIP—Secures speaker grille to cabinet ("early" receivers only)	.02
*RCW-3018	C14	.002 mf., -0% +100%, 450 v., ceramic	.25	RHM-073		CLIP—Dial cord pulley retainer on potentiometer and tuning capacitor drum	.02
*RCW-3054	C6	.01 mf., +150% -0%, 400 v., disk ceramic	.35	*RMC-002		CLIP—Oscillator coil mounting	.05
RCW-3075	C5	47 mmf., disk ceramic	.25	*RMS-243		SPRING—Dial cord tension, on tuning pulley or volume control cord	.10
*UCC-026	C4	.02 mf., 400 v., paper	.25	RMW-075		PULLEY—Drive cord pulley on potentiometer	.10
*UCC-045	C13	.05 mf., 600 v., paper	.30	RMW-076		PULLEY—Drive cord pulley on tuning capacitor	.10
POTENTIOMETER & RESISTORS				RMX-238		SHAFT & PULLEY ASSEMBLY—Volume control shaft and pulley assembly, drives potentiometer pulley	.95
RRC-206	R10, S1	Volume control, 500,000 ohms, with DPST switch	\$1.75	RMX-239		SHAFT & PULLEY ASSEMBLY—Tuning control shaft and pulley assembly, drives tuning capacitor pulley	.45
*RRW-042	R3	2300 ohms, 10 w., wirewound	.85	CABINETS & APPEARANCE ITEMS			
*URD-053	R5, 7	1500 ohms, ½ w., carbon	.13	RAB-209		CABINET BACK—Back half of cabinet, black, plastic, includes ½ slip hinge; for Model 612	\$4.15
*URD-065	R6	4700 ohms, ½ w., carbon	.13	RAB-210		CABINET BACK—Back half of cabinet, red, plastic, includes ½ slip hinge; for Model 613	4.25
*URD-097	R2	100,000 ohms, ½ w., carbon	.13	RAC-129		CABINET FRONT—Front half of cabinet, black, plastic, includes ½ slip hinge; for Model 612	4.85
*URD-113	R13	470,000 ohms, ½ w., carbon	.13	RAC-130		CABINET FRONT—Front half of cabinet, red, plastic, includes ½ slip hinge; for Model 613	5.00
*URD-133	R9, 12, 14	3.3 megohms, ½ w., carbon	.13	RAD-117		BRACKET (R.H.)—Handle bracket, right hand	.80
*URD-141	R8	6.8 megohms, ½ w., carbon	.13	RAD-118		BRACKET—Handle bracket, left hand	.80
*URD-145	R11	10 megohms, ½ w., carbon	.13	RAG-055		GRILLE CLOTH—Black, paste-board-mounted assembly for Model 612	.70
*URE-059	R4	2700 ohms, 1 w., carbon	.25	RAG-056		GRILLE CLOTH—Red, paste-board-mounted assembly for Model 613	.70
URF-025	R1	100 ohms, 2 w., carbon	.25	RDK-311		KNOB—On-Off-Volume, black; for Model 612	1.45
COILS & TRANSFORMERS				RDK-312		KNOB—On-Off-Volume, red; for Model 613	1.40
RLC-101	L2	COIL—Oscillator coil, broadcast band for 455 KC I-F	\$0.85	RDK-313		KNOB—Tuning, black; for Model 612	1.45
RLL-052	L1	COIL—Antenna loop wound on ferrite core	1.50	RDK-314		KNOB—Tuning, red; for Model 613	1.45
*RTL-052	T1, T2	TRANSFORMER—I-F, 455 KC	2.75	RDS-122		DIAL SCALE—Metal, circular	.60
RTO-133	T3	TRANSFORMER—Audio output	2.70	*RHE-010		EYELET—Cabinet catch, held by screw RHS-097, to cabinet back cover	.05
MISCELLANEOUS ELECTRICAL				RHE-013		EYELET—For mounting cabinet hinges	.01
*REX-005	SR	RECTIFIER—Selenium rectifier	\$2.50	*RHI-024		HINGE—Complete, consisting of two halves	.25
*RII-060		INSULATING STRIP—Fiber, tuning capacitor mounting, with formed shoulder in holes. See RII-061	.05	*RHS-083		SCREW—Phillips round head, No. 4 x ¼ inches; for mounting latch clip, RMC-053	.05
*RII-061		INSULATING STRIP—Fiber, tuning capacitor mounting, with plain holes. See RII-060	.05	*RHS-097		SCREW—No. 6 x ½ inch Phillips round head, holds eyelet, RHE-010 used as cabinet catch	.02
*RJC-022		CONNECTOR—"B" Battery connector, two button snap fastener type	.40	RHY-046		HANDLE—Metal, chrome finish (two are used for complete handle)	2.25
*RJP-033		PLUG—"A" Battery connector, two pin wafer type	.15	*RMC-053		CLIP—Latch clip on front half of cabinet	.05
*RJS-100		TUBE SOCKET—For V1	.20				
*RJS-124		TUBE SOCKET—For V3 or V4	.20				
*RJS-125		TUBE SOCKET—For V2	.20				
*R8W-088	S2	SWITCH—Line-battery change-over switch	1.75				
*RWL-005		CORD—Power cord and plug, 6 ft. long, (black)	1.25				
*S400D7	LS	LOUDSPEAKER—4-inch, P.M.	4.60				
MISCELLANEOUS MECHANICAL							
*RAD-089		BRACKET—Cardboard, for mounting loop antenna coil	\$0.15				
*RDC-032		DIAL CORD—Bulk quantity, 25 yds.	2.50				

614, 615

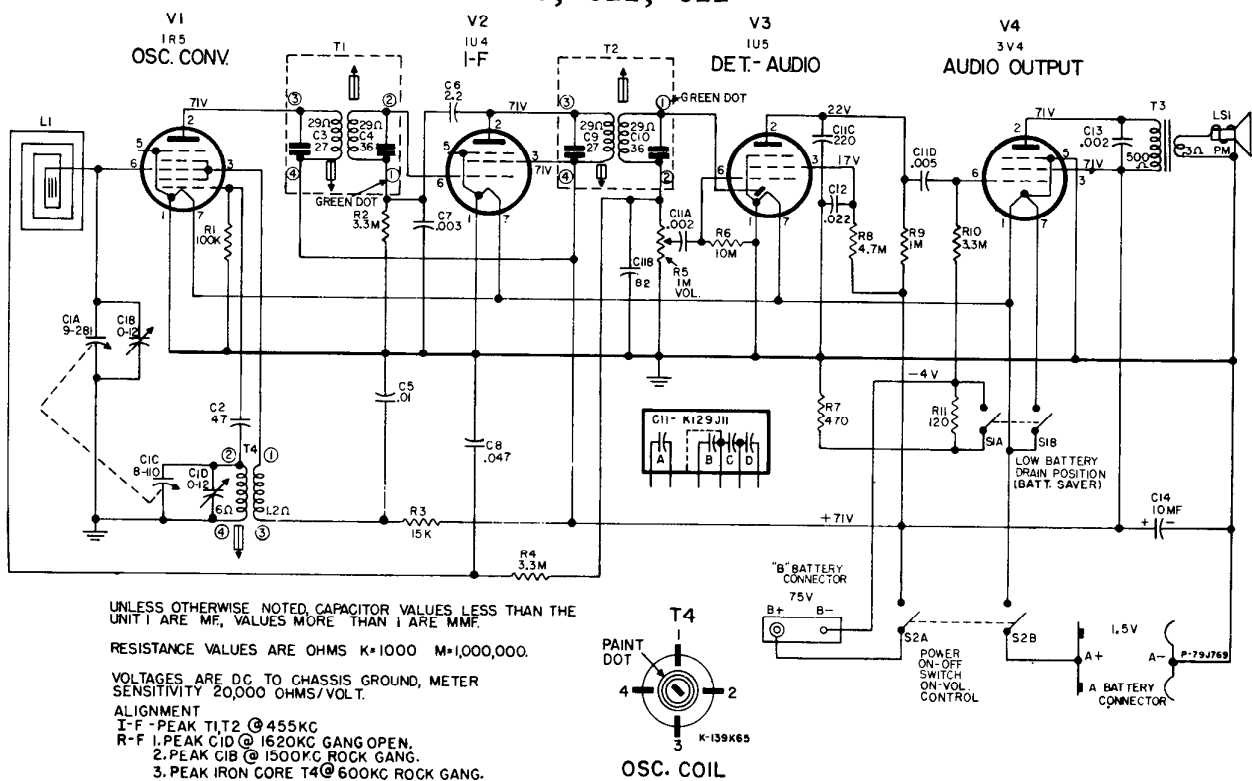


NOTE: ALL CAPACITIES ARE IN MFD. UNLESS OTHERWISE INDICATED. ALL VOLTAGES ARE D-C MEASURED TO B- USING A 20,000 OHMS PER VOLT METER. READINGS ARE SIMILAR FOR 117 VOLTS LINE, OR BATTERY INPUT POWER.

REPLACEMENT PARTS LIST FOR MODELS 614, 615

Cat. No.	Symbol	Description	Unit Price	Cat. No.	Symbol	Description	Unit Price
CAPACITORS				MISCELLANEOUS MECHANICAL			
RCE-138	C2A, B, C, D	40 mfd .40 mfd., 150v ; 200 mfd.-100 mfd., 25 v.	\$4.50	*RDC-032		CORD—Dial cord, bulk quantity, 25 yards	\$2.50
RCT-060	C1A, B, C	Tuning capacitor, 3 gang	5.75	RDP-069		DIAL POINTER—Metal slider and red plastic flag; for Model 614	.25
*RCW-1073	C6	47. mmf., 10% temp. coeff., ceramic	.60	RDP-072		DIAL POINTER—Metal slider and gold finished plastic flag; for Model 615	.25
*RCW-3015	C11A, B, C, D, E	.002 mf., 220 mmf., 220 mmf., .005 mf., .005 mf., ceramic couplate (late receivers use C12, UCU-036, in lieu of section C11E)	1.10	RDS-114		DIAL SCALE—Scale and backplate, green background; for Model 614	.95
*UCC-037	C13	.003 mf., 600 v., paper	.25	RDS-117		DIAL SCALE—Scale and backplate, gold finish background; for Model 615	.95
*UCC-041	C7	.02 mf., 600 v., paper	.25	*RHB-016		FASTENER—Snapfastener, Trimount type; for chassis cover	.05
*UCC-042	C14	.03 mf., 600 v., paper	.30	*RHG-018		GROMMET—Rubber grommet for tuning capacitor shock mounting	.05
*UCC-045	C3, 4, 8	.05 mf., 600 v., paper	.30	*RHI-017		GROMMET—Two piece strain relief insulator for power cord	.15
*UCU-036	C12	220 mmf., 500 v., mica used in late prod. in lieu of RCW-3015, C11, section E	.30	*RHJ-005		SPACER—Metal spacer bushing for mounting tuning capacitor	.02
RESISTORS (Carbon)				*RHN-020		CAP SCREW—No. 6-32 tap, Phillips head, for handle ends	.10
*URD-041	R6	470 ohms, ½ w.	.13	RHS-094		SCREW—No. 6-32 threaded rod 8½ inches long; through handle bar to handle ends	.40
*URD-045	R5	680 ohms, ½ w.	.13	RHS-096		SCREW—Thumbscrew on battery hold-down bracket	.10
*URD-053	R4	1500 ohms, ½ w.	.13	RHY-040		HANDLE END—Metal casting, chrome finish	1.40
*URD-067	R11	5600 ohms, ½ w.	.13	RHY-041		HANDLE BAR—Hand grip, plastic, ivory; for Model 614	.75
*URD-097	R9	100 K ohms, ½ w.	.13	RHY-042		HANDLE BAR—Hand grip, plastic, green; for Model 615	.75
*URD-113	R15	470 K ohms, ½ w.	.13	*RII-065		INSULATOR BUSHING—For handle bracket on chassis	.10
*URD-129	R12, 16	2.2 megohms, ½ w.	.13	*RJS-004		MOUNTING PLATE—For electrolytic capacitor, C2	.10
*URD-133	R14, 18	3.3 megohms, ½ w.	.13	*RMC-002		CLIP—Coil clip for ½ inch diameter oscillator coil, L2	.05
*URD-137	R17	4.7 megohms, ½ w.	.13	RMM-206		CORK—On battery hold-down bracket	.05
*URE-013	R1	33 ohms, 1 w.	.17	RMM-209		SUPPORT—Formed paper antenna loop support	.03
*URE-059	R2	2700 ohms, 1 w.	.17	*RMS-118		SPRING—Dial cord tension spring	.10
(Potentiometers and Wirewound)				RMX-212		SHAFT—Tuning control shaft and bushing assembly	.90
RRC-185	R13, S1	Volume control, 500K ohms, with DPST switch	1.70	CABINET AND CABINET PARTS			
*RRW-027	R3	2300 ohms, 10 w., w.w.	1.00	RAB-182		CABINET BACK—Back half of cabinet, maroon, plastic; for Model 614; includes ½ slip hinge	3.90
COILS AND TRANSFORMERS				RAB-183		CABINET BACK—Back half of cabinet, green plastic; for Model 615; includes ½ slip hinge	3.90
*RLB-030	T4	TRANSFORMER—R-F	1.95	RAC-105		COVER—Dial cover, maroon, plastic; for Model 614	1.45
RLC-120	L2	COIL—Oscillator coil	.90	RAC-106		COVER—Dial cover, green, plastic; for Model 615	1.40
RLI-049	L1	COIL—Antenna pickup coil wound on ferrite core	1.50	RAC-113		CABINET FRONT—Front half of cabinet, maroon, plastic; includes ½ slip hinge and Model 614 nameplate	7.95
*RTL-052	T1	TRANSFORMER—1st I-F	2.75	RAC-114		CABINET FRONT—Front half of cabinet, green, plastic, includes ½ slip hinge and Model 615 nameplate	7.95
*RTL-079	T2	TRANSFORMER—2nd I-F	2.75	RAD-087		BRACKET—Dial cover hinge bracket, right-hand	.20
RTO-118	T3	TRANSFORMER—Audio output	2.85	RAD-088		BRACKET—Dial cover hinge bracket, left-hand	.20
MISCELLANEOUS ELECTRICAL				RAG-046		GRILLE CLOTH—Maroon, pasteboard mounted assembly, for Model 614	.45
*RER-001	SR	SELENIUM RECTIFIER—75 ma., 6 plates, 1 in. x 1 in.	.66	RAG-047		GRILLE CLOTH—Green, pasteboard mounted assembly, for Model 615	.45
RII-070	S2	PLATE—Textolite mtg. plate for line battery changeover switch, S2	.05	RAX-029		LATCH BRACKET—For dial cover, includes latch spring	.15
*RJP-025	PL1	PLUG—Four prong battery plug with locating pin	.15	RDK-277		KNOB—Volume or tuning control, ivory; for Model 614	.15
*RJS-100		SOCKET—Miniature wafer, seven pin, wax impregnated, one inch mtg. centers for tube 1R5 (V2)	.20				
*RJS-124		SOCKET—Miniature wafer, seven pin, one inch mtg. centers; for tubes 1U5, 3V4 (V4 or V5)	.20				
*RJS-125		SOCKET—Miniature wafer, seven pin, with pin shield post, one inch mtg. centers for tubes 1T4 (V1 or V3)	.20				
ROP-024	LS1	LOUDSPEAKER—Oval, 4 x 6 inch, PM, 2 watt, 32 ohms at 400 cycles	7.95				
*RSW-088	S2	SWITCH—Line-battery changeover switch, power plug operated, wafer type	1.75				
*RWL-005		CORD—Power cord and plug, 6 feet long	1.25				

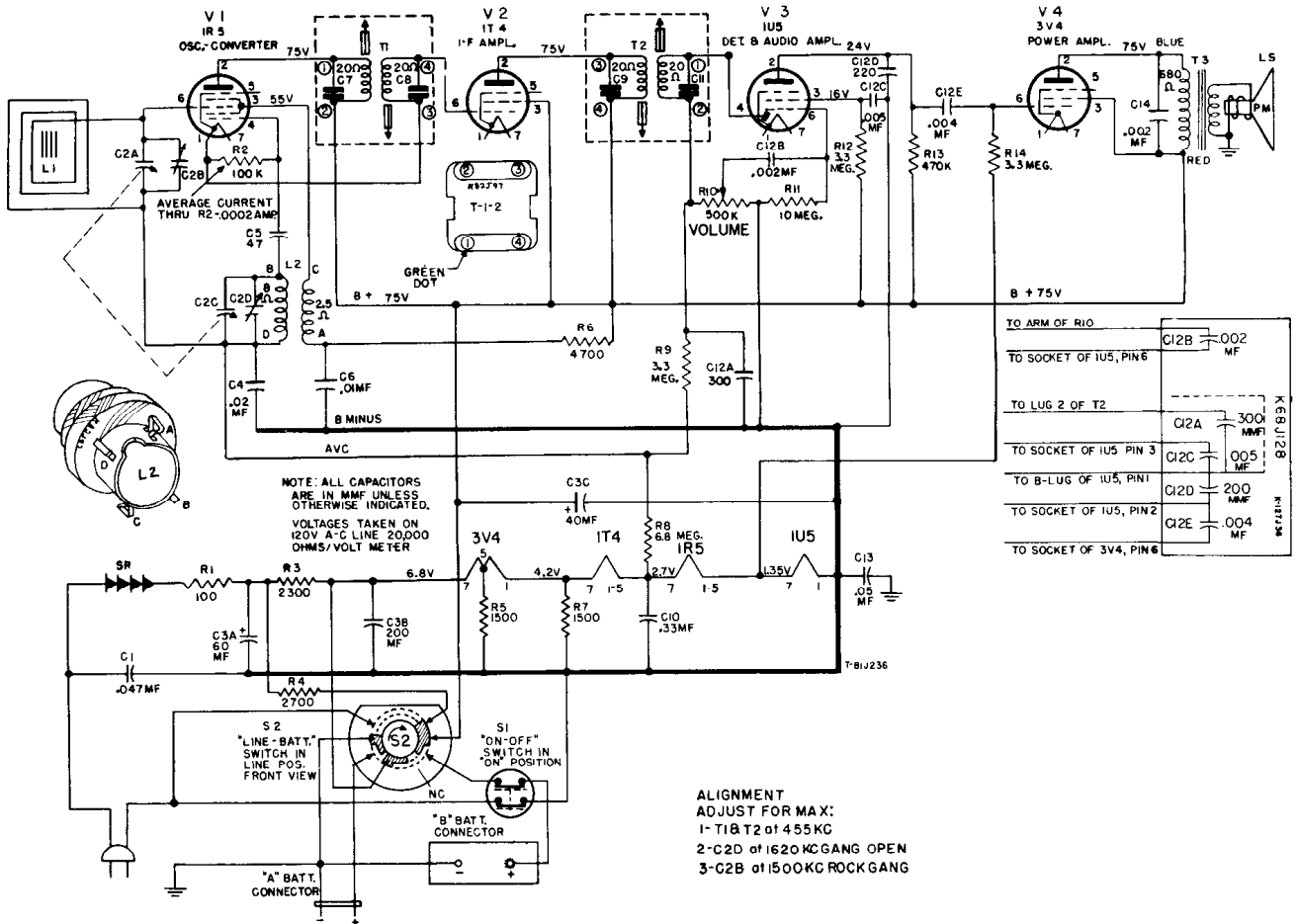
620, 621, 622



**REPLACEMENT PARTS LIST
FOR MODELS 620, 621, AND 622**

CAT. NO.	SYMBOL	DESCRIPTION	UNIT PRICE	CAT. NO.	SYMBOL	DESCRIPTION	UNIT PRICE
CAPACITORS				MISCELLANEOUS ELECTRICAL (CONT'D)			
*RCC-121	C5	.01 mf., 200 v., paper	\$0.35	ROP-028		LOUDSPEAKER—4 inch, PM	\$6.25
*RCC-122	C8	.047 mf., 200 v., paper	.40	RSS-008		SWITCH—Battery saver switch	.45
*RCC-123	C12	.022 mf., 200 v., paper	.40	MISCELLANEOUS MECHANICAL			
RCE-172	C14	10 mf., electrolytic	1.15	*RHC-060		CLAMP SUPPORT—Plastic, for antenna	.15
RCN-082	C11A, B, C, D	Ceramic Bullplate	.85	RHC-071		CLAMP—Wire, for battery	.45
RCT-075	C1	Tuning	3.60	RHC-072		SPRING CLIP—Switch button	.05
*RCW-3075	C2	47 mmf., ceramic	.25	RHM-075		CAP—For handle mounting	.65
*RCW-3078	C6	2.2 mmf., =5%, 500 v., ceramic	.20	RHX-021		BATTERY CLIP ASSEMBLY	.85
RCW-3118	C7	.003 mf., =5%, 500 v., ceramic	.25	RHW-055		WASHER—Felt Washer for Dial Knob	.05
RCW-3119	C13	.002 mf., =5%, 500 v., ceramic	.25	RMC-060		CATCH—Cabinet catch	.05
RESISTORS				*RMS-329		COMPRESSION RING—For Volume and Tuning knobs	.05
RRC-239	R5	VOLUME CONTROL & SWITCH—		CABINETS AND APPEARANCE ITEMS			
	S2A, B	1 megohm.	1.70	RAG-065		GRILLE—Dark green, Model 620	.95
*URD-027	R11	120 ohms, carbon	.13	RAG-066		GRILLE—Red, Model 621	.95
*URD-041	R7	470 ohms, carbon	.13	RAG-067		GRILLE—Gray, Model 622	.95
*URD-061	R2, 4, 10	3.3 K, carbon	.13	RAU-404		CABINET—Dark green, Model 620, with grille and nameplate	8.50
*URD-077	R3	15 K, carbon	.13	RAU-405		CABINET—Red, Model 621, with grille and nameplate	8.50
*URD-097	R1	100 K, carbon	.13	RAU-406		CABINET—Gray, Model 622, with grille and nameplate	8.50
*URD-121	R9	1 megohm, carbon	.13	RDK-390		KNOB—Tuning, clear, all Models	1.45
*URD-137	R8	4.7 megohms, carbon	.13	RDK-391		KNOB—Volume, dark green, Model 620	.20
*URD-145	R6	10 megohms, carbon	.13	RDK-392		KNOB—Volume, red, Model 621	.20
COILS AND TRANSFORMERS				RDK-393		KNOB—Volume, gray, Model 622	.20
RLC-129	T4	OSCILLATOR COIL	.90	RDK-394		SWITCH BUTTON—Battery HI-LO, dark green, Model 620	.15
RLL-058	L1	ANTENNA ASSEMBLY	1.50	RDK-395		SWITCH BUTTON—Battery HI-LO, red, Model 621	.15
RTL-152	T1, 2	TRANSFORMER—I-F	3.80	RDK-396		SWITCH BUTTON—Battery HI-LO, gray, Model 622	.15
RTO-153	T3	TRANSFORMER—Audio output	2.20	RHY-056		HANDLE ASSEMBLY—Handle and clips	2.20
MISCELLANEOUS ELECTRICAL				RYN-022		NAMEPLATE—Plastic, dark green, Model 620	.15
*RHC-053		CLIP—I-F transf. mtg. clip	.02	RYN-023		NAMEPLATE—Plastic, red, Model 621	.15
RJC-035		CONNECTOR—For "B" battery	.40	RYN-024		NAMEPLATE—Plastic, gray, Model 622	.15
RJS-199		SOCKET—Tube socket for all tubes (with center shield)	.25				

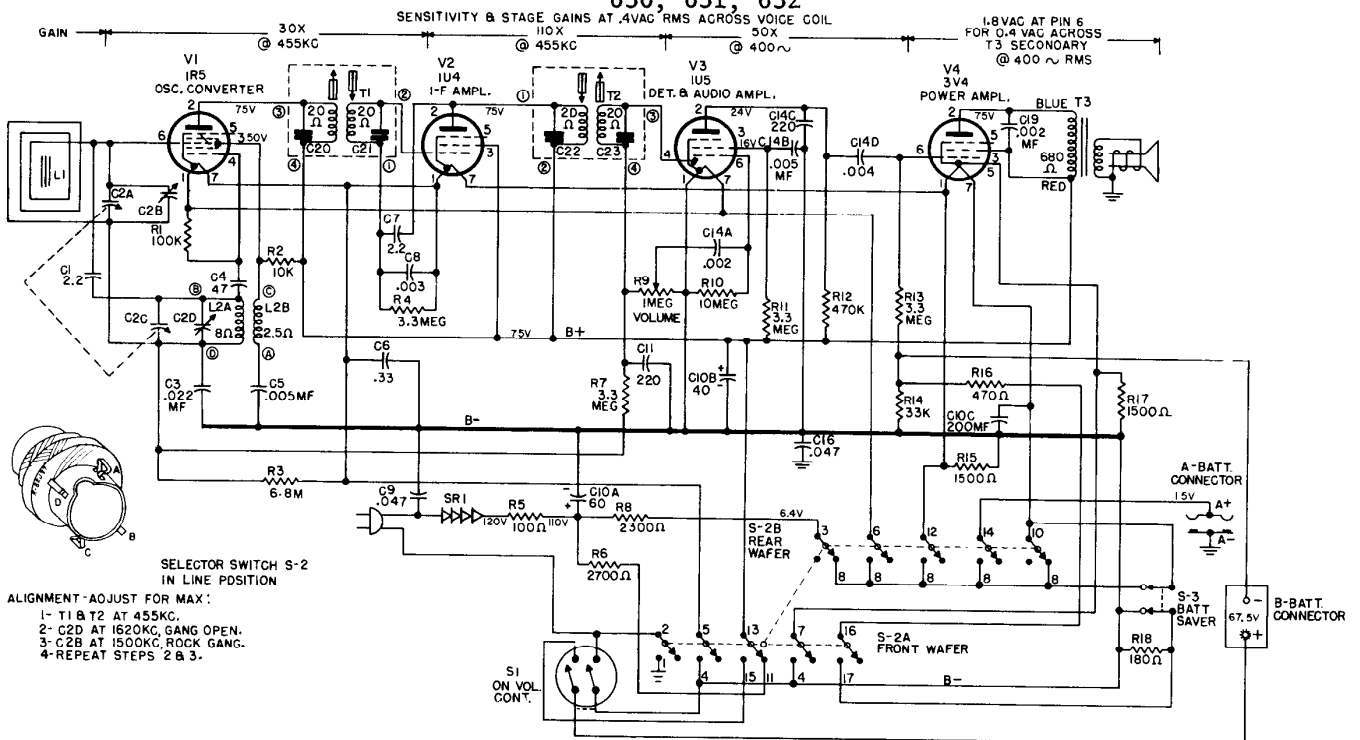
MODELS 625, 626



REPLACEMENT PARTS LIST, MODELS 625, 626

CAT. NO.	SYMBOL	DESCRIPTION	UNIT PRICE	CAT. NO.	SYMBOL	DESCRIPTION	UNIT PRICE
CAPACITORS				MISCELLANEOUS MECHANICAL (CONT'D)			
RCE-151	C3A, B, C	60 mf. -40 mf., 150 v., 200 mf., 20 v. cardboard case tubular electrolytic	\$3.25	*RHB-016		SNAP FASTENER—Chassis cover mounting stud	\$0.05
RCN-053	C1	.047 mf., ±20%, 600 v., paper, molded	.35	*RHC-053		CLIP—I-F transformer mounting	.02
RCN-070	C10	.33 mf., 100 v., paper	.50	*RHI-017		STRAIN RELIEF—Two-piece strain relief and insulator, for power cord entrance in chassis	.15
RCT-067	C2A, B, C, D	Tuning capacitor, three-gang	3.75	*RHM-025		"C" WASHER—Retainer ring for control shafts	.01
*RCW-3015	C12A, B, C, D	300 mmf., .002 mf., .005 mf., 220 mmf., ceramic couplate	1.10	*RHM-052		CLIP—Secures speaker grille to cabinet ("early" receivers only)	.02
*RCW-3018	C14	.002 mf., -0% +100%, 450 v., ceramic	.25	RHM-073		CLIP—Dial cord pulley retainer on potentiometer and tuning capacitor drum	.02
*RCW-3054	C6	.01 mf., +150% -0%, 400 v., disk ceramic	.35	*RMC-002		CLIP—Oscillator coil mounting	.05
RCW-3075	C5	.47 mmf., disk ceramic	.25	*RMS-243		SPRING—Dial cord tension, on tuning pulley or volume control cord	.10
*UCC-026	C4	.02 mf., 400 v., paper	.25	RMW-075		PULLEY—Drive cord pulley on potentiometer	.10
*UCC-045	C13	.05 mf., 600 v., paper	.30	RMW-076		PULLEY—Drive cord pulley on tuning capacitor	.10
POTENTIOMETER & RESISTORS				RMX-238		SHAFT & PULLEY ASSEMBLY—Volume control shaft and pulley assembly, drives potentiometer pulley	.95
RRC-206	R10, S1	Volume control, 500,000 ohms, with DPST switch	1.75	RMX-239		SHAFT & PULLEY ASSEMBLY—Tuning control shaft and pulley assembly, drives tuning capacitor pulley	.45
*RRW-042	R3	2300 ohms, 10 w., wirewound	.85	CABINETS & APPEARANCE ITEMS			
*URD-053	R5, 7	1500 ohms, 1/2 w., carbon	.13	RAD-117		BRACKET (R.H.)—Handle bracket, right hand	.80
*URD-065	R6	4700 ohms, 1/2 w., carbon	.13	RAD-118		BRACKET (L.H.)—Handle bracket, left hand	.80
*URD-097	R2	100,000 ohms, 1/2 w., carbon	.13	RAQ-060		GRILLE CLOTH—Green, paste-board mounted assembly for Model 625	.70
*URD-113	R13	470,000 ohms, 1/2 w., carbon	.13	RAQ-061		GRILLE CLOTH—Gray, paste-board mounted assembly for Model 626	.70
*URD-133	R9, 12, 14	3.3 megohms, 1/2 w., carbon	.13	RAU-395		CABINET—Green, complete (front and back) with solid hinge, Model 625	10.00
*URD-141	R8	6.8 megohms, 1/2 w., carbon	.13	RAU-396		CABINET—Gray, complete (front and back) with solid hinge, Model 626	12.50
*URD-145	R11	10 megohms, 1/2 w., carbon	.13	RDK-375		KNOB—On-Off-Volume, green, for Model 625	1.45
*URE-059	R4	2700 ohms, 1 w., carbon	.25	RDK-376		KNOB—ON-Off-Volume, gray, for Model 626	1.45
URF-025	R1	100 ohms, 2 w., carbon	.25	RDK-377		KNOB—Tuning, green, for Model 625	1.45
COILS & TRANSFORMERS				RDK-378		KNOB—Tuning, gray, for Model 626	1.45
RLC-101	L2	COIL—Oscillator coil, broadcast band for 455 KC I-F	.85	RDS-122		DIAL SCALE—Metal, circular	.60
RLI-052	L1	COIL—Antenna loop wound on ferrite core	1.50	*RHE-010		EYELET—Cabinet catch, held by screw RHS-097, to cabinet back cover	.05
*RTL-052	T1, T2	TRANSFORMER—I-F, 455 KC	2.75	RHE-013		EYELET—For mounting cabinet hinges	.01
RTO-133	T3	TRANSFORMER—Audio output	2.70	RHE-017		EYELET—Cabinet catch, cordside, held by screw RHS-097, to cabinet back cover	.02
MISCELLANEOUS ELECTRICAL				RHI-027		HINGE—Solid, uses eyelets RHE-013	.30
*REX-005	SR	RECTIFIER—Selenium rectifier	2.50	*RHS-083		SCREW—Phillips round head, No. 4 x 5/16 inches, for mounting latch clip, RMC-053	.05
*RII-060		INSULATING STRIP—Fiber, tuning capacitor mounting, with formed shoulder in holes. See RII-061	.05	*RHS-097		SCREW—No. 6 x 1/4 inch, Phillips round head, holds eyelet, RHE-010 used as cabinet catch	.02
*RII-061		INSULATING STRIP—Fiber, tuning capacitor mounting, with plain holes. See RII-060	.05	RHY-046		HANDLE—Metal, chrome finish (two are used for complete handle)	2.25
*RJC-022		CONNECTOR—"B" Battery connector, two-button snap fastener type	.40	*RMC-053		CLIP—Latch clip on front half of cabinet	.05
*RJP-033		PLUG—"A" Battery connector, two-pin wafer type	.15				
*RJS-100		TUBE SOCKET—For V1	.20				
*RJS-124		TUBE SOCKET—For V3 or V4	.20				
*RJS-125		TUBE SOCKET—For V2	.20				
*RSW-088	S2	SWITCH—Line-battery changeover switch	1.75				
*RWL-005		CORD—Power cord and plug, 6 ft. long (black)	1.25				
*S400D7	LS	LOUDSPEAKER—4-inch, P.M.	4.60				
MISCELLANEOUS MECHANICAL							
*RAD-089		BRACKET—Cardboard, for mounting loop antenna coil	.15				
*RDC-032		DIAL CORD—Bulk quantity, 25 yds	2.50				

630, 631, 632



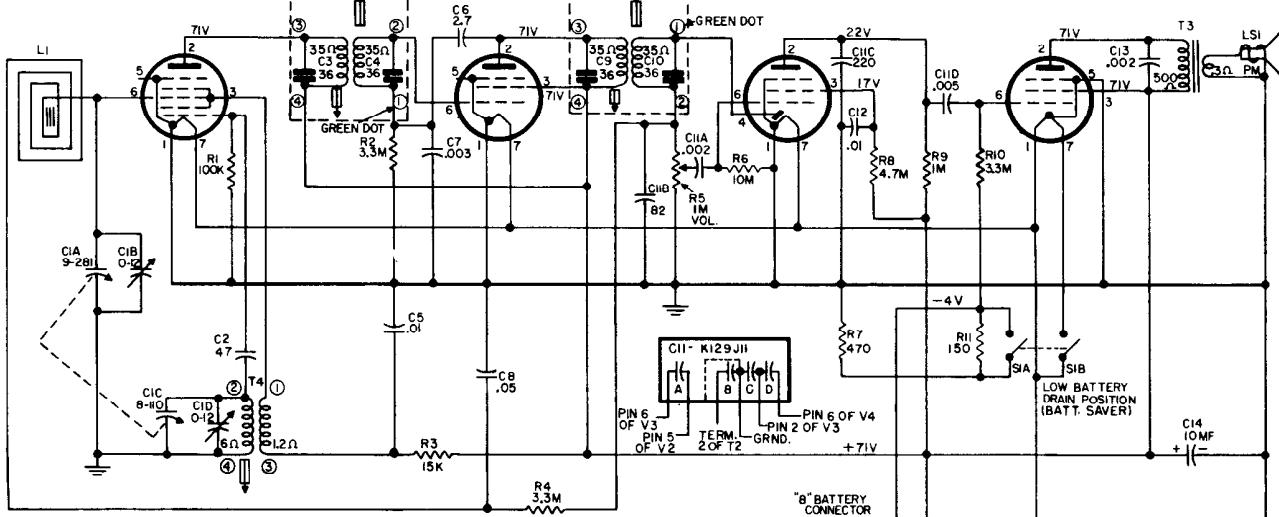
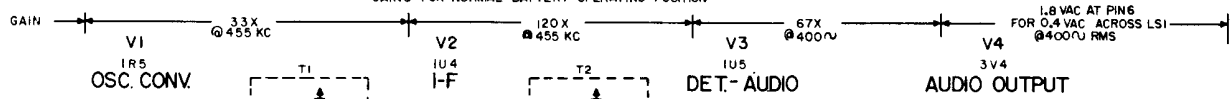
REPLACEMENT PARTS LIST, MODELS 630, 631 AND 632

CAT. NO.	SYMBOL	DESCRIPTION	PRICE UNIT	CAT. NO.	SYMBOL	DESCRIPTION	UNIT PRICE
CAPACITORS				MISCELLANEOUS MECHANICAL (CONT'D)			
*RCC-123	C3	.002 mf., 20%, 200 v., paper	\$ 0.40	*RHC-053		CLIP—I-F transformer mounting	\$0.02
RCC-125	C16	.047 mf., 400 v., paper	.40	*RHI-017		STRAIN RELIEF—Two-piece strain relief and insulator, for power cord entrance in chassis.	.15
*RCE-151	C10A, B, C	60-40-200 mf., electrolytic	3.25	*RHM-025		"C" WASHER—Retainer ring for control shafts	.01
*RCN-039	C1, 7	2.2 mmf., 20%, 500 v., ceramic	.15	*RHM-073		CLIP—Dial cord pulley retainer on tuning capacitor drum	.02
*RCN-053	C9	.047 mf., 20%, 600 v., molded	.35	*RMC-002		CLIP—Oscillator coil mounting	.05
*RCN-070	C6	.33 mf., 100 v., paper	.50	*RMC-061		LOOP SUPPORT—Plastic clamp	.20
RCT-077	C2A, B, C	Tuning capacitor	4.10	*RMS-243		SPRING—Dial cord tension, on tuning pulley	.10
*RCW-3014	C5	.005 mf., +150% -0%, 450 v., cer	.25	*RMS-272		COMPRESSION KING—Dial tuning knob spring	.05
*RCW-3018	C19	.002 mf., -0% +100%, 450 v., cer.	.25	*RMW-076		PULLEY—Drive cord pulley on tuning capacitor	.10
*RCW-3075	C4	47 mmf., disk ceramic	.25	RMX-270		PULLEY AND HUB ASSEMBLY—On dial tuning shaft RMX-271.	.70
*RCW-3089	C14A, B, C, D	Bulplate—.002 mf., .005 mf., 200 mf., .004 mf.	.90	RMX-271		SHAFT AND PULLEY ASSEMBLY—Dial tuning	.75
*RCW-3118	C8	.003 mf., 20%, 100 v., ceramic	.25	RMX-272		"A" BATTERY HOLDER	1.65
RCW-3126	C11	220 mmf., ceramic	.25				
POTENTIOMETER & RESISTORS				CABINETS AND APPEARANCE ITEMS			
RRC-253	R9, S1	Volume Control and Switch	\$1.65	RAD-139		HANDLE BRACKET—Right-hand	\$0.85
*RRW-042	R8	2300 ohms, ±10%, 1/2 w., w.w.	.85	RAD-140		HANDLE BRACKET—Left-hand	.85
*URD-031	R18	180 ohms, ±10%, 1/2 w., carbon	.13	RAG-068		GRILLE CLOTH ASSEMBLY—For Model 630	.65
*URD-041	R16	470 ohms, ±10%, 1/2 w., carbon	.13	RAG-069		GRILLE CLOTH ASSEMBLY—For Model 631	.65
*URD-053	R15, 17	1500 ohms, ±10%, 1/2 w., carbon	.13	RAG-070		GRILLE CLOTH ASSEMBLY—For Model 632	.65
*URD-073	R2	10 k, ±10%, 1/2 w., carbon	.13	RAU-407		CABINET ASSEMBLY—Green, Model 630	10.00
*URD-085	R14	33 k, ±10%, 1/2 w., carbon	.13	RAU-408		CABINET ASSEMBLY—Red, Model 631	10.00
*URD-097	R1	100 k, ±10%, 1/2 w., carbon	.13	RAU-409		CABINET ASSEMBLY—Gray, Model 632	10.00
*URD-113	R12	470 k, ±10%, 1/2 w., carbon	.13	RDG-009		DIAL PLATE—Aluminum, with red indicator	.40
*URD-133	R4, 7, 11, 13	3.3 megohms, ±10%, 1/2 w., carbon	.13	*RDK-387		KNOB—Volume, gray, f. Model 632	.15
*URD-141	R3	6.8 megohms, ±10%, 1/2 w., carbon	.13	RDK-397		KNOB—Tuning, gray, with dial scale, Model 632	1.10
*URD-145	R10	10 megohms, ±10%, 1/2 w., carbon	.13	RDK-398		KNOB—Tuning, green, with dial scale, Model 630	1.10
*URE-059	R6	2700 ohms, ±10%, 1 w., carbon	.17	RDK-399		KNOB—Tuning, red, with dial scale, Model 631	1.10
*URF-025	R5	100 ohms, ±10%, 2 w., carbon	.25	RDK-400		KNOB—Volume, green, f. Model 630	.15
				RDK-401		KNOB—Volume, red, f. Model 631	.15
				RHB-023		HANDLE CAP BUTTON	.55
				*RHE-013		EYELET—For mounting cabinet hinges	.02
				*RHE-018		EYELET—For mounting cabinet catch	.01
				*RHI-027		HINGE—Solid hinge	.30
				*RHS-083		SCREW—Phillips round head, No. 4 x 1/4-in., for mounting catch clip RMC-053	.05
				RHY-057		HANDLE—Green, for Model 631	2.20
				RHY-058		HANDLE—Red, for Model 630	2.50
				RHY-059		HANDLE—Gray, for Model 632	2.50
				*RMC-053		CLIP—Cabinet catch	.05
				RYN-025		EMBLEM—For Model 631	.30
				RYN-026		EMBLEM—For Models 630 and 632	.30
COILS AND TRANSFORMERS				MISCELLANEOUS ELECTRICAL			
*RLC-101	L2	COIL—Oscillator	\$0.90	RER-001	SR1	SELENIUM RECTIFIER	\$0.66 Net
RLL-059	L1	ANTENNA ASSEMBLY—Iron core	1.50	*RII-060		INSULATING STRIP—Fiber, for tuning capacitor mounting	.05
RTL-156	T1, 2	TRANSFORMER—I-F	1.80	RJC-036		BATTERY CONNECTOR—"B" battery	.40
*RTO-133	T3	TRANSFORMER—Output	2.70	*RJS-100		TUBE SOCKET—for V1	.20
				*RJS-124		TUBE SOCKET—for V3 or V4	.20
				*RJS-125		TUBE SOCKET—for V2	.20
				*S400-D7		LOUDSPEAKER—4-inch PM	4.60
				*RSS-008	S3	SWITCH—Battery saver switch	.45
				RSW-103	S2A, B	SWITCH—AC-DC Battery	2.30
				*RWL-005		POWER CORD—6 ft. long, black, with plug	1.25
MISCELLANEOUS MECHANICAL				MISCELLANEOUS MECHANICAL			
*RDC-032		DIAL CORD—Bulk quantity, 25 yards	\$2.50				
*RHB-016		SNAP FASTENER—Chassis cover mounting stud	.05				

* Parts used on previous receivers.

MODELS 635, 636, 637

GAINS FOR NORMAL BATTERY OPERATING POSITION

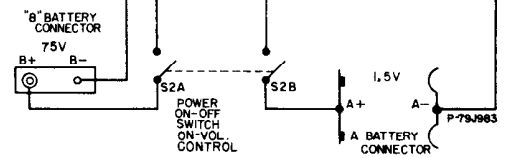
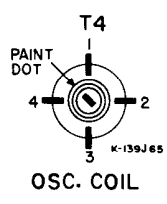


UNLESS OTHERWISE NOTED, CAPACITOR VALUES LESS THAN THE UNIT ARE MF, VALUES MORE THAN 1 ARE MMF.

RESISTANCE VALUES ARE OHMS K=1,000 M=1,000,000.

VOLTAGES ARE DC TO CHASSIS GROUND, METER SENSITIVITY 20,000 OHMS/VOLT.

- ALIGNMENT
1. I-F - PEAK T1, T2 @ 455 KC
 2. R-F 1. PEAK CID @ 1620 KC GANG OPEN.
 2. PEAK CIB @ 1500 KC ROCK GANG.
 3. PEAK IRON CORE T4 @ 600 KC ROCK GANG.
 4. REPEAT AS NECESSARY.

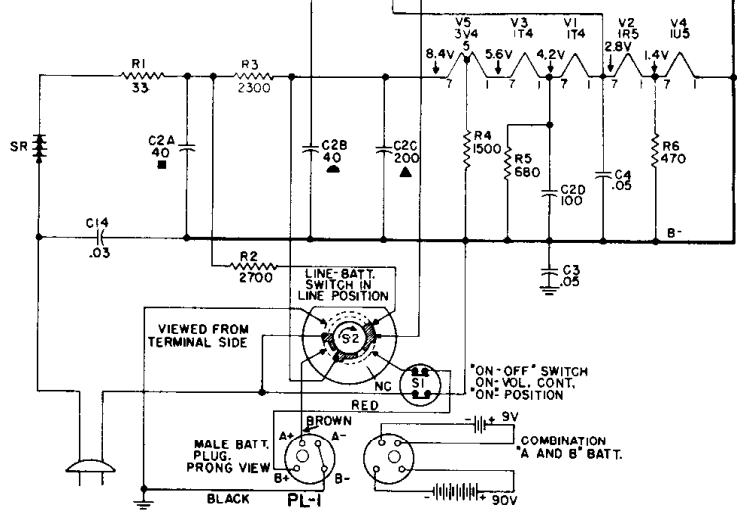
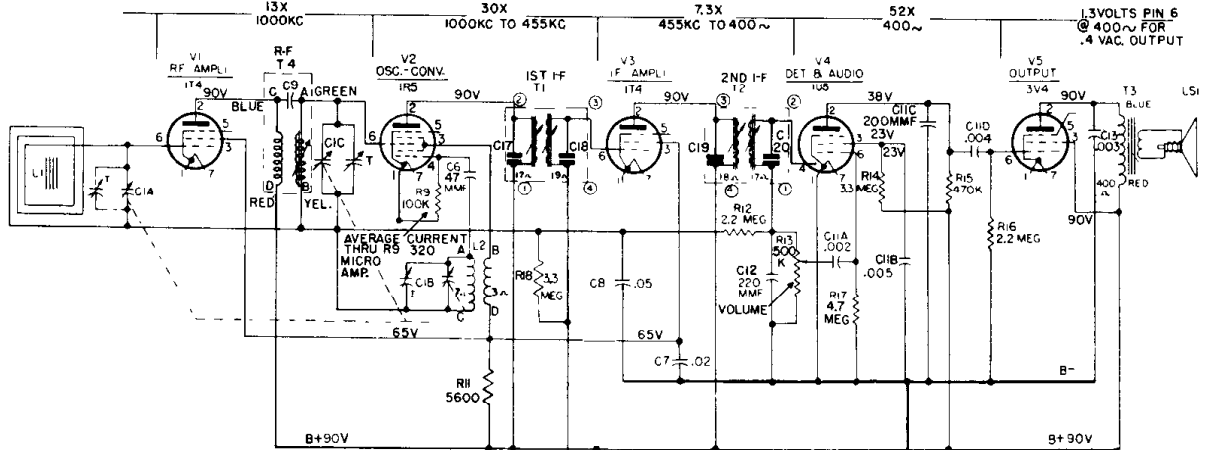


REPLACEMENT PARTS LIST—MODELS 635, 636, AND 637

CAT. NO.	SYMBOL	DESCRIPTION	UNIT PRICE	CAT. NO.	DESCRIPTION	UNIT PRICE
CAPACITORS				MISCELLANEOUS ELECTRICAL (Cont'd)		
RCC-086	C8	.05 mf., 200 V., paper	\$0.30	ROP-028	LOUDSPEAKER—4 inch, PM	\$6.25
RCE-172	C14	10 mf., electrolytic	1.15	RSS-008	SWITCH—Battery saver switch (S1A, B)	.45
RCN-082	C11A, B, C, D	Ceramic Bullplate	.85	MISCELLANEOUS MECHANICAL		
RCT-075	C1	Tuning	3.60	RHB-016	PIN—Mounting pin for component protector	\$0.05
RCW-3039	C6	2.7 mmf., ±5%, 500 V.	.25	RHC-072	SPRING CLIP—Switch button	.05
RCW-3054	C5, 12	.01 mf., 450 V., ceramic	.35	N-RHC-086	CLAMP SUPPORT—Plastic for antenna	.15
RCW-3075	C2	47 mmf., ceramic	.25	RHW-055	WASHER—Felt washer for Dial Knob	.05
RCW-3118	C7	.003 mf., ±5%, 500 V., ceramic	.25	RMC-060	CATCH—Cabinet catch	.05
RCW-3119	C13	.002 mf., ±5%, 500 V., ceramic	.25	N-RMC-064	CLIP—Battery	.20
RESISTORS (1/2 W, CARBON)				N-RMC-065	CLAMP—Battery	.04
RRC-239	R5, S2A, B	VOLUME CONTROL & SWITCH— 1 megohm	\$1.70	N-RMC-066	CLAMP—Battery	.15
URD-029	R11	150 ohms	.13	RMS-329	COMPRESSION RING—For volume and tuning knobs	.05
URD-041	R7	470 ohms	.13	CABINETS AND APPEARANCE ITEMS		
URD-077	R3	15K	.13	RAG-065	GRILLE—Dark green, Model 635	\$0.95
URD-097	R1	100K	.13	RAG-067	GRILLE—Gray, Model 637	.95
URD-121	R9	1 megohm	.13	RAG-077	GRILLE—Ivory, Model 636	.95
URD-133	R2, 4, 10	3.3 megohms	.13	N-RAU-429	CABINET—Dark green, Model 635	5.95
URD-137	R8	4.7 megohms	.13	N-RAU-430	CABINET—Red, Model 636	5.95
URD-145	R6	10 megohms	.13	N-RAU-431	CABINET—Gray, Model 637	5.95
COILS AND TRANSFORMERS				RDK-390	KNOB—Tuning, clear, all Models	1.45
RLC-129	T4	OSCILLATOR COIL	\$0.90	RDK-391	KNOB—Volume, dark green, Model 635	.20
RLL-058	L1	ANTENNA ASSEMBLY	1.50	RDK-392	KNOB—Volume, red, Model 636	.20
RTL-152	T1, 2	TRANSFORMER—I-F	3.80	RDK-393	KNOB—Volume, gray, Model 637	.20
RTO-153	T3	TRANSFORMER—Audio output	2.20	RDK-394	SWITCH BUTTON—Battery HI-LO, dark green, Model 635	.15
MISCELLANEOUS ELECTRICAL				RDK-395	SWITCH BUTTON—Battery HI-LO, red, Model 636	.15
RHC-034	CLIP	I-F transformer mounting clip	\$0.05	RDK-396	SWITCH BUTTON—Battery HI-LO, gray, Model 637	.15
RJC-035	CONNECTOR	For "B" battery	.40	N-RHY-065	HANDLE ASSEMBLY—Dark green, Model 635	1.05
RJS-199	SOCKET	Tube socket for all tubes (with center shield)	.25	N-RHY-066	HANDLE ASSEMBLY—Red, Model 636	1.05
				N-RHY-067	HANDLE ASSEMBLY—Gray, Model 637	1.05
				RYN-022	NAMEPLATE—Plastic, dark green, Model 635	.15
				RYN-023	NAMEPLATE—Plastic, red, Model 636	.15
				RYN-024	NAMEPLATE—Plastic, gray, Model 637	.15

640, 641
 SENSITIVITY AND STAGE GAINS AT 50 MILLIWATTS OUTPUT OR .4VAC RMS ACROSS VOICE COIL

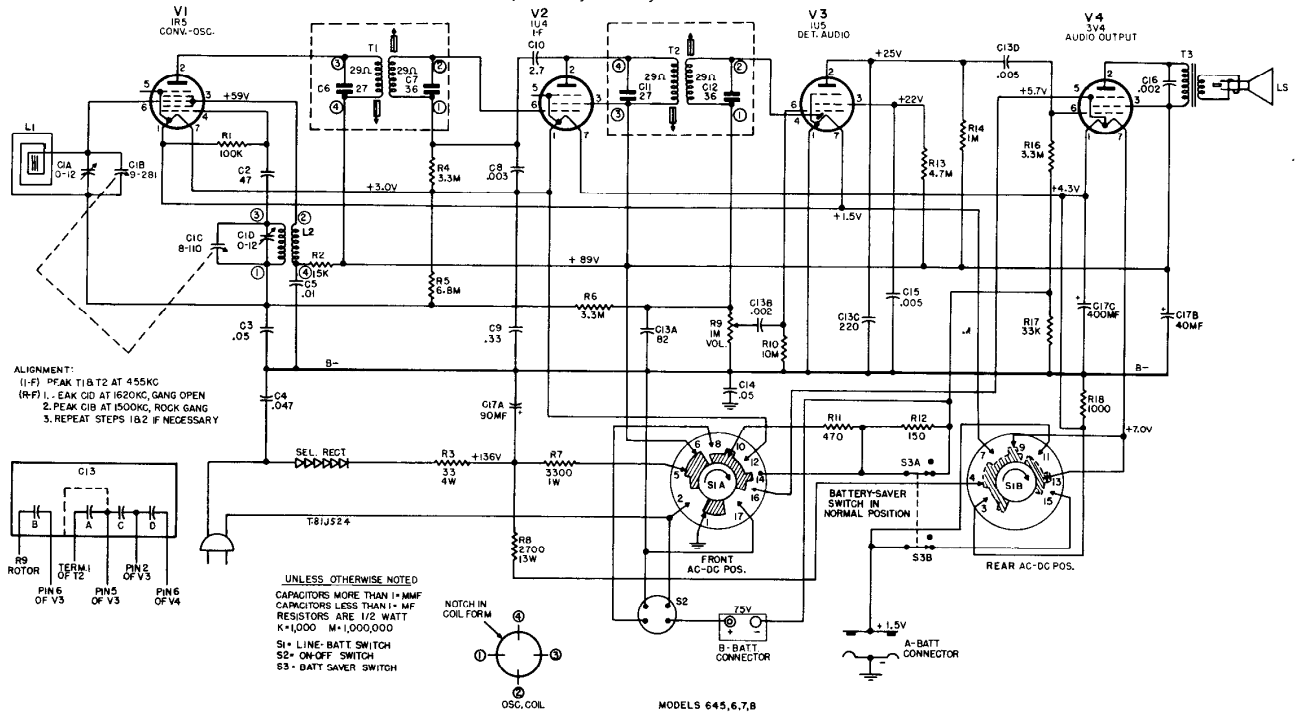
13X	30X	7.3X	52X	1.3VOLTS PIN 6 @ 400~ FOR .4 VAC. OUTPUT
1000KC	1000KC TO 455KC	455KC TO 400~	400~	



REPLACEMENT PARTS LIST FOR MODELS 640, 641

Cat. No.	Symbol	Description	Unit Price	Cat. No.	Symbol	Description	Unit Price
CAPACITORS				MISCELLANEOUS MECHANICAL			
RCE-138	C2A, B, C, D	40 mfd.-40 mfd., 150 v.; 200 mfd.-100 mfd., 25 v.	\$4.50	*RDC-032		CORD—Dial cord, bulk quantity, 25 yards	\$2.50
RCT-060	C1A, B, C	Tuning capacitor, 3 gang	5.75	RDP-072		DIAL POINTER—Metal slider and gold finished plastic flag; for Model 640, 641	.25
RCW-1073	C6	47 mmf., 10% temp. coeff., ceramic	.60	RDS-125		DIAL SCALE—Scale and backplate, metal, background gold finish, Model 640 and 641	1.25
RCW-3089	C11A, B, C, D	.002 mf., .005 mf., 200 mmf., .004 mf., ceramic couplet	.90	*RHB-016		FASTENER—Snap fastener, Trimount type; for chassis cover	.05
UCC-037	C13	.003 mf., 600 v., paper	.25	*RHC-053		GROMMET—Rubber grommet for tuning capacitor shock mounting	.05
UCC-041	C7	.02 mf., 600 v., paper	.25	*RHI-017		GROMMET—Two-piece strain relief insulator for power cord	.15
UCC-042	C14	.03 mf., 600 v., paper	.30	*RHJ-005		SPACER—Metal spacer bushing for mounting tuning capacitor	.02
UCC-045	C3, 4, 8	.05 mf., 600 v., paper	.30	*RHN-020		CAP SCREW—No. 6-32 tap, Phillips head, for handle ends	.10
UCU-036	C12	220 mmf., 500 v., mica	.30	RHS-094		SCREW—No. 6-32 threaded rod 8½ inches long; through handle bar to handle ends	.40
RESISTORS (Carbon)				RHS-096		SCREW—Thumbcrew on battery hold-down bracket	.10
*URD-041	R6	470 ohms, ½ w.	.13	RHY-040		HANDLE END—Metal casting, chrome finish	1.40
*URD-045	R5	680 ohms, ½ w.	.13	RHY-054		HANDLE BAR—Plastic, light grey, Model 640	1.25
*URD-053	R4	1500 ohms, ½ w.	.13	RHY-055		HANDLE BAR—Plastic, dark grey, Model 641	1.25
*URD-067	R11	5600 ohms, ½ w.	.13	*RII-065		INSULATOR BUSHING—For handle bracket on chassis	.10
*URD-097	R9	100 K ohms, ½ w.	.13	*RJS-004		MOUNTING PLATE—For electrolytic capacitor, C2	.10
*URD-113	R15	470 K ohms, ½ w.	.13	*RMC-002		CLIP—Coil clip for ½-inch diameter oscillator coil, L2	.05
*URD-129	R12, 16	2.2 megohms, ½ w.	.13	RMM-206		CORK—On battery hold-down bracket	.05
*URD-133	R14, 18	3.3 megohms, ½ w.	.13	RMM-209		SUPPORT—Formed paper antenna loop support	.03
*URD-137	R17	4.7 megohms, ½ w.	.13	*RMS-118		SPRING—Dial cord tension spring	.10
*URE-013	R1	33 ohms, 1 w.	.17	RMX-212		SHAFT—Tuning control shaft and bushing assembly	.90
*URE-059	R2	2700 ohms, 1 w.	.17	CABINET AND CABINET PARTS			
<i>(Potentiometers and Wirewound)</i>				RAC-139		COVER—Dial cover, maroon, plastic, Model 640	1.30
RRC-185	R13, S1	Volume control, 500 K ohms, with DPST switch	1.70	RAC-140		COVER—Dial cover, grey, plastic, Model 641	1.30
*RRW-027	R3	2300 ohms, 10 w., w.w.	1.00	RAD-087		BRACKET—Dial cover hinge bracket, right-hand	.20
COILS AND TRANSFORMERS				RAD-088		BRACKET—Dial cover hinge bracket, left-hand	.20
*RLB-030	T4	TRANSFORMER—R-F	1.95	RAG-062		GRILLE CLOTH—Maroon, pasteboard mounted assembly, Model 640	.45
RLC-120	L2	COIL—Oscillator coil	.90	RAG-063		GRILLE CLOTH—Grey, pasteboard mounted assembly, Model 641	.45
RLI-049	L1	COIL—Antenna pickup coil wound on ferrite core	1.50	RAU-400		CABINET—Plastic, maroon, complete cabinet includes front, back, hinges and nameplate, Model 640	12.50
*RTL-052	T1, C17, C18	TRANSFORMER—1st I-F	2.75	RAU-401		CABINET—Plastic, grey, complete cabinet includes front, back, hinges and nameplate, Model 641	12.50
*RTL-079	T2, C19, C20	TRANSFORMER—2nd I-F	2.75	RAX-029		LATCH BRACKET—For dial cover, includes latch spring	.15
RTO-118	T3	TRANSFORMER—Audio output	2.85	RDK-387		KNOB—Volume or tuning control, light grey, Model 640	.15
MISCELLANEOUS ELECTRICAL				RDK-388		KNOB—Volume or tuning control, dark grey, Model 641	.15
*RER-001	SR	SELENIUM RECTIFIER—75 ma., 6 plates, 1 in. x 1 in.	.66	RDW-059		WINDOW—Dial scale window, plastic	.60
RRI-070	S2	PLATE—Textolite mtg. plate for line battery changeover switch, S2	.05	*RHE-010		EYELET—Cabinet catch, held by screw RHS-097 to cab. back cover	.05
*RJP-025	PL1	PLUG—Four-prong battery plug with locating pin	.15	RHI-023		HINGE—Cabinet slip hinge in two parts	.30
*RJS-100		SOCKET—Miniature wafer, seven pin, wax impregnated, one inch mtg. centers for tube 1R5 (V2)	.20	RHS-097		SCREW—Screw No. 6 x ½ inch, Phillips round head; holds eyelet used as cabinet catch	.02
*RJS-124		SOCKET—Miniature wafer, seven pin, one inch mtg. centers; for tubes 1U5, 3V4 (V4 or V5)	.20	RMS-286		SPRING—Coil spring for dial cover hinge (right-hand)	\$0.05
*RJS-125		SOCKET—Miniature wafer, seven pin, with pin shield post, one inch mtg. centers for tubes 1T4 (V1 or V3)	.20	RMS-287		SPRING—Coil spring for dial cover hinge (left-hand)	.05
ROP-024	LS1	LOUDSPEAKER—Oval, 4 x 6 inch, PM, 2 watt, 3.2 ohms at 400 cycles	7.95	RYN-020		NAMEPLATE—Model 640	.45
*RSW-088	S2	SWITCH—Line-battery changeover switch, power plug operated, wafer type	1.75	RYN-021		NAMEPLATE—Model 641	.45
*RWL-005		CORD—Power cord and plug, 6 feet long	1.25	CABINET AND CABINET PARTS			
*RMC-053		CLIP—Latch clip on front half of cabinet engages eyelet, RHE-010, to close cabinet	\$0.05				
RMC-054		LATCH—Chrome finish metal, for dial cover	.90				
RMP-033		ROD—Pivot rod for dial cover latch, RMC-054	.10				

MODELS 645, 646, 647, 648

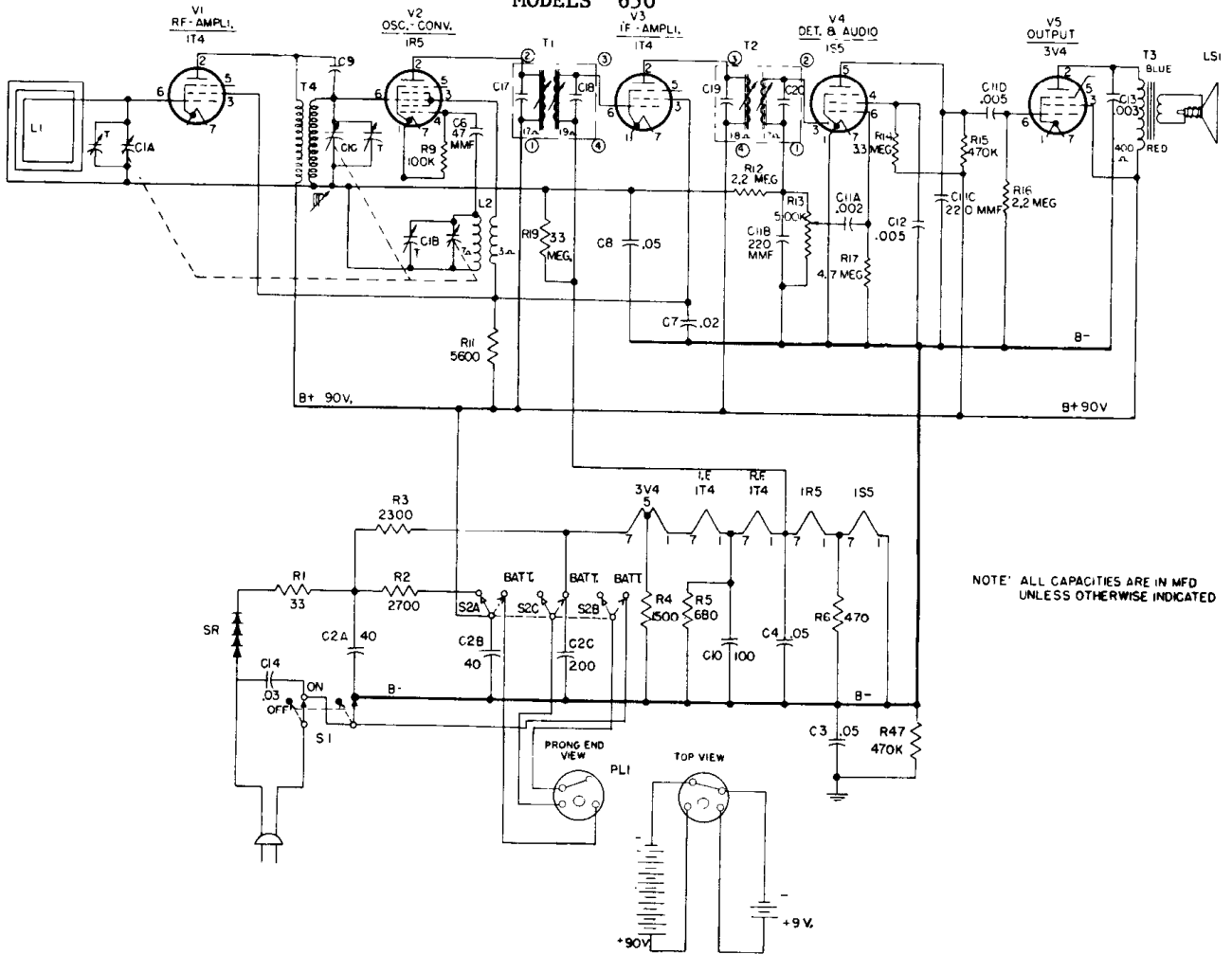


REPLACEMENT PARTS LIST, MODELS 645, 646, 647 AND 648

CAT. NO.	SYMBOL	DESCRIPTION	UNIT PRICE	CAT. NO.	SYMBOL	DESCRIPTION	UNIT PRICE
CAPACITORS				MISCELLANEOUS ELECTRICAL (CONT'D)			
RCC-086	C3	.05 mf., +40 -10%, 200 v., paper	\$0.30	RJS-124		SOCKET—7 pin tube socket	\$0.20
N-RCE-212	C17A, B, C	Electrolytic—90-40 mf., @ 150 v., 400 mf., @ 10 v	3.90	RJS-125		SOCKET—7 pin tube socket with center shield20
RCN-036	C14	.047 mf., 20%, 400 v., molded	.35	N-ROP-031		LOUDSPEAKER—4 inch, P.M.	5.40
RCN-053	C4	.047 mf., 20%, 600 v., molded	.35	RSS-008		SWITCH—Battery saver (S3)45
RCN-070	C9	.33 mf., 100 v., paper	.50	N-RSW-112		SWITCH—A.C. D.C. battery (S1)	2.25
RCN-082	C13A, B, C, D	Bullplate—82 mmf., .002 mf., 220 mmf., .005 mf.	.85	RWL-031		CORD—Power cord and plug, gray, 6 ft. long75
N-RCT-084	C1A, B, C, D	Tuning capacitor	3.40	MISCELLANEOUS MECHANICAL			
PCW-3014	C15	.005 mf., +100 -0%, 450 v., ceramic	.25	RHC-053		CLIP—I-F mounting clip	\$0.02
RCW-3039	C10	2.7 mmf., ±10%, 500 v., ceramic	.25	RHC-060		CLAMP—Plastic antenna clamp15
RCW-3054	C5	.01 mf., 450 v., ceramic	.35	RHC-072		CLIP—Spring clip for battery saver switch button05
RCW-3118	C8	.003 mf., ±20%, 100 v., ceramic	.25	RHI-017		STRAIN RELIEF—Two piece strain relief and insulator, for power cord entrance in chassis15
RCW-3119	C16	.002 mf., +100 -0%, 450 v., ceramic	.25	RHW-055		WASHER—Felt washer for tuning knob05
N-RCW-3192	C2	.47 mmf., ±20%, 500 v., ceramic	.20	RJS-024		MOUNTING PLATE—For mounting electrolytic10
RESISTORS				RMC-002		CLIP—Oscillator coil mounting clip05
N-RRC-320	R9, S2	VOLUME CONTROL AND SWITCH—1 megohm	\$1.70	RMC-060		CATCH—Cabinet05
N-RRW-134	R3	33 ohms, ±10%, 4 w., flexible	.30	RMS-329		COMPRESSION RING—All knobs05
N-RRW-135	R8	2700 ohms, 13 w., w.w.	1.00	CABINET AND APPEARANCE PARTS			
URD-029	R12	150 ohms, ±10%, ½ w., carbon	.13	N-RAP-042		HANDLE PLATE—Black, plastic, Models 646, 647	\$0.45
URD-041	R11	470 ohms, ±10%, ½ w., carbon	.13	N-RAP-043		HANDLE PLATE—Charcoal, plastic, Models 645, 64845
URD-049	R18	1000 ohms, ±10%, ½ w., carbon	.13	N-RAU-433		CABINET—Red, Model 646	6.95
URD-077	R2	15 k, ±10%, ½ w., carbon	.13	N-RAU-434		CABINET—Green, Model 647	6.95
URD-085	R17	33 k, ±10%, ½ w., carbon	.13	N-RAU-435		CABINET—Gray, Model 648	6.95
URD-097	R1	100 k, ±10%, ½ w., carbon	.13	N-RAU-436		CABINET—Charcoal, Model 645	6.50
URD-121	R14	1 megohm, ±10%, ½ w., carbon	.13	N-RDK-481		BUTTON—Black for battery saver switch, Models 646, 64715
URD-133	R4, 6, 16	3.3 megohms, ±10%, ½ w., carbon	.13	N-RDK-482		BUTTON—Charcoal, for battery saver switch, Models 645, 64815
URD-137	R13	4.7 megohms, ±10%, ½ w., carbon	.13	N-RDK-483		KNOB—Tuning knob, black, Models 646, 647	1.05
URD-141	R5	6.8 megohms, ±10%, ½ w., carbon	.13	N-RDK-484		KNOB—Tuning knob, charcoal, Models 645, 648	1.05
URD-145	R10	10 megohms, ±10%, ½ w., carbon	.13	N-RDK-485		KNOB—Volume, Red, Model 64620
URE-061	R7	3300 ohms, ±10%, 1 w., carbon	.17	N-RDK-486		KNOB—Volume, Green, Model 64720
COILS AND TRANSFORMERS				N-RDK-487		KNOB—Volume, Charcoal, Model 64520
N-RLC-134	L2	COIL—Oscillator	\$1.75	N-RDK-488		KNOB—Volume, Gray, Model 64820
N-RLL-061	L1	ANTENNA ASSEMBLY	1.75	N-RHY-068		HANDLE—Black, for Models 646, 64755
RTL-152	T1, 2	TRANSFORMER—I-F	3.80	N-RHY-069		HANDLE—Charcoal, for Models 645, 64855
N-RTO-171	T3	TRANSFORMER—Output	2.20				
MISCELLANEOUS ELECTRICAL							
N-RER-020		SELENIUM RECTIFIER	\$2.60				
RJC-004		TERMINAL—For speaker	.02				
RJC-035		CONNECTOR—For "B" battery	.40				
N-RJC-041		CONTACT—For "A" battery	.05				
N-RJC-042		BRACKET—Contact bracket for "A" battery15				

"N"—INDICATES PARTS NOT USED ON PREVIOUS RECEIVERS.

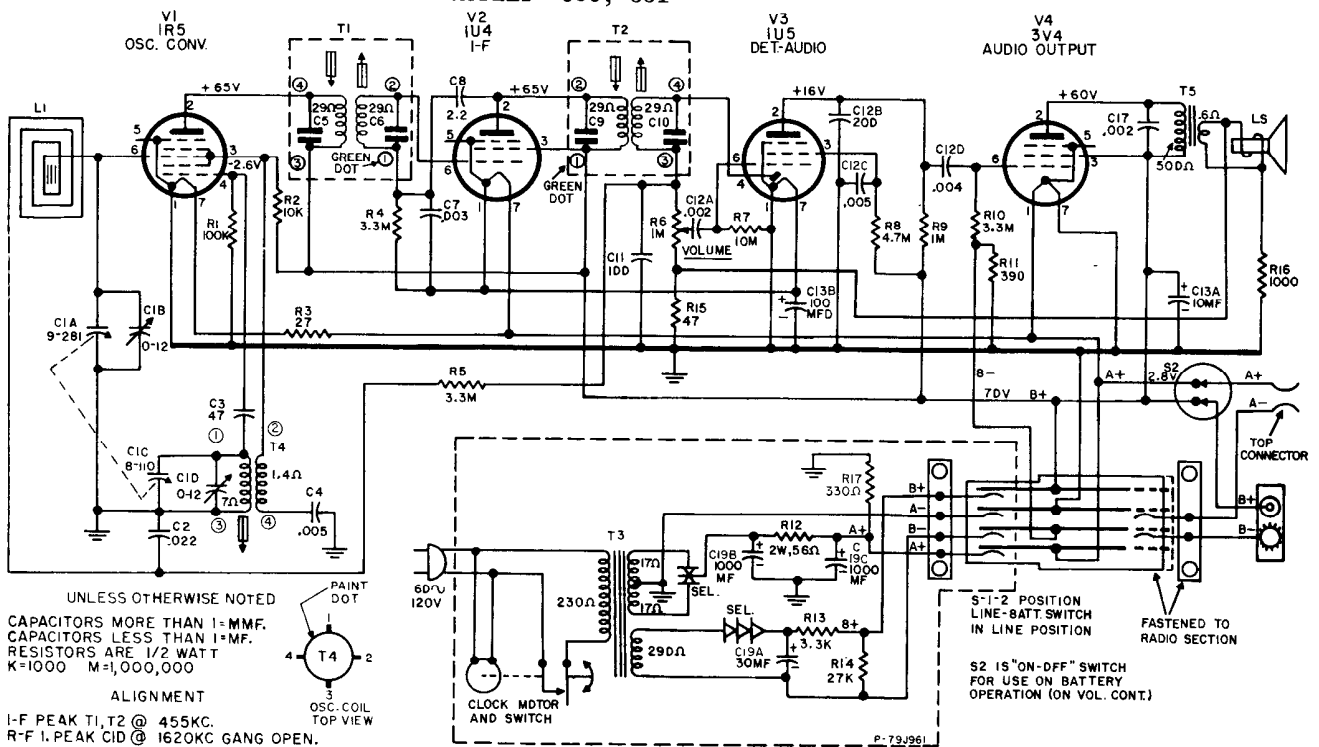
MODELS 650



**MODEL 650
REPLACEMENT PARTS LIST**

Cat. No.	Symbol	Description	Suggested Unit List Price	Cat. No.	Symbol	Description	Suggested Unit List Price
UNIVERSAL REPLACEMENT PARTS				SPECIALIZED REPLACEMENT PARTS (Cont'd)			
*UCC-037	C13	CAPACITOR—.003 mfd., 400 v., paper	\$0.25	*RHB-006		PLUG BUTTON—(Maroon) on cabinet door	\$0.10
*UCC-041	C7	CAPACITOR—.02 mfd., 200 v., paper	.25	RHB-012		PLUG BUTTON—(Grey) on cabinet door	
*UCC-042	C14	CAPACITOR—.03 mfd., 600 v., paper	.30	*RHC-015		CLIP—(Osc. coil)	.02
UCC-045	C3, 4, 8	CAPACITOR—.05 mfd., 600 v., paper	.25	*RHC-016		HAIRPIN COTTER—On tuning control shaft	.01
*UCE-067	C10	CAPACITOR—100 mfd., 10 v., electrolytic	1.55	*RHG-018		GROMMET—Tuning capacitor mounting	.05
*URD-043	R6	RESISTOR—470 ohms, ½ w., carbon	.13	*RHJ-005		SPACER—Tuning capacitor mounting	.02
*URD-045	R5	RESISTOR—680 ohms, ½ w., carbon	.13	*RHM-052		CLIP—(Speaker mounting)	.02
*URD-053	R4	RESISTOR—1500 ohms, ½ w., carbon	.13	*RHM-056		CLIP—(Grille mounting)	.02
*URD-067	R11	RESISTOR—5600 ohms, ½ w., carbon	.13	RHM-065		CAP—Brass cover over item RHS-047	
*URD-097	R9	RESISTOR—100,000 ohms, ½ w., carbon	.13	RHM-068		CAP—Aluminum cover over item RHS-047	
*URD-113	R7, 15	RESISTOR—470,000 ohms, ½ w., carbon	.13	*RHR-005		TUBULAR RIVET—.121" x 1/8" for door hinge	.01
*URD-129	R12, 16	RESISTOR—2.2 meg., ½ w., carbon	.13	*RHS-010		TUBE SHIELD—For V4 tube	.20
*URD-133	R14, 19	RESISTOR—3.3 meg., ½ w., carbon	.13	*RHS-041		SCREW FOR HINGE—(Hex head) #6 x 3/8	
*URD-137	R17	RESISTOR—4.7 meg., ½ w., carbon	.13	RHS-047		SCREW—(For handle mounting)	
*URE-013	R1	RESISTOR—33 ohms ±10%, 1 w., carbon	.17	RHN-012		TEE NUT—(For handle mounting)	
*URE-059	R2	RESISTOR—2700 ohms, 1 w., carbon	.17	RHW-023		WASHER—(For handle mounting)	
SPECIALIZED REPLACEMENT PARTS				RHY-014		HANDLE—(Maroon)	
RAB-122		CABINET BACK—(maroon)		RHY-015		HANDLE—(Grey)	
RAB-123		CABINET BACK—(grey)		*RJS-024		MOUNTING PLATE—(Electrolytic)	.10
RAG-029		GRILLE—(For maroon cabinet)		*RJS-100		TUBE SOCKET—For V2	.20
RAG-030		GRILLE—(For grey cabinet)		*RJS-124		TUBE SOCKET—For V4, V5	.20
*RAS-001		BATTERY STRAP—Metal strap holds battery	\$0.30	*RJS-125		TUBE SOCKET—For V1, V3	.20
RAU-323		CABINET—(Maroon)		*RLB-030	T4	R-F TRANSFORMER	1.95
RAU-324		CABINET—(Grey)		*RLC-068	L2	OSCILLATOR COIL	1.15
*RCE-095	C2A, B, C	CAPACITOR—200 mfd., 25 v; 40 mfd., 150 v; 40 mfd., 150 v; electrolytic	2.95	*RLL-038	L1	LOOP ANTENNA	1.00
*RCT-039	C1	TUNING CAPACITOR	4.50	RMS-039		"C" CLIP—On idler pulley shaft	.02
*RCW-1063	C6	CAPACITOR—47 mmf., ceramic	.60	*RMS-118		SPRING—(Dial tension)	.10
*RCW-3015	C11A, B, C, D	CAPACITOR—.002 mf., 220 mf., .005 mfd., 220 mmf., .005 mf., ceramic	1.10	*RMS-191		SPRING CATCH—For back cover	.15
*RDC-032	C12	DIAL CORD	2.50	RMW-009		IDLER PULLEY—For dial cord	.10
*RDK-136		KNOB—(Fawn) Volume or tuning	.15	*RJP-025	PL1	BATTERY PLUG	.15
*RDK-202		KNOB—(Grey) Volume or tuning	.30	*RRC-083	R13, S1	VOLUME CONTROL AND SWITCH	1.65
*RDP-040		POINTER—Dial pointer	.30	*RRW-027	R3	RESISTOR—2300 ohms, 10 w., w.w.	1.00
RDS-092		DIAL SCALE		*RSW-058	S2	SWITCH—(Power cord)	.85
*RER-001	SR	SELENIUM RECTIFIER	2.85	*RTL-052	T1	TRANSFORMER—1st I-F transformer	2.75
				*RTL-079	T2	TRANSFORMER—2nd I-F transformer	2.75
				*RTO-050	T3	OUTPUT TRANSFORMER	2.25
				*RWL-005		POWER CORD	1.25
				*DL-1RS-400D		SPEAKER—4 inch PM speaker	4.25

MODELS 660, 661

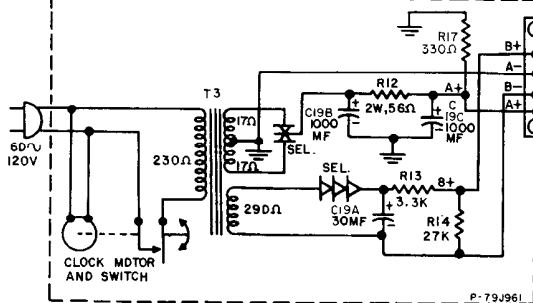
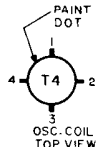


UNLESS OTHERWISE NOTED
 CAPACITORS MORE THAN 1=MMF.
 CAPACITORS LESS THAN 1=MF.
 RESISTORS ARE 1/2 WATT
 K=1000 M=1,000,000

ALIGNMENT

- I-F PEAK T1, T2 @ 455KC.
- R-F 1. PEAK CID @ 1620KC GANG OPEN.
- 2. PEAK CIB @ 1500KC ROCK GANG.
- 3. PEAK IRON CORE T4 @ 600KC, ROCK GANG.
- 4. REPEAT AS NECESSARY.

VOLTAGES READ TO CHASSIS GROUND
 WITH TUNING GANG CLOSED.



S-1-2 POSITION
 LINE-BATT SWITCH
 IN LINE POSITION
 FASTENED TO
 RADIO SECTION
 S2 IS "ON-OFF" SWITCH
 FOR USE ON BATTERY
 OPERATION (ON VOL. CONT.)

REPLACEMENT PARTS LIST—MODELS 660 AND 661

CAT. NO.	SYMBOL	DESCRIPTION	UNIT PRICE	CAT. NO.	DESCRIPTION	UNIT PRICE
CAPACITORS				MISCELLANEOUS ELECTRICAL (CONT'D)		
n-RCE-213	C13A, B	10 mf., @ 100 V., 100 mf., @ 3 V., electrolytic	\$1.50	RJS-176	SOCKET—7-pin tube socket	\$0.25
n-RCE-214	C19A, B, C	30 mf., @ 100 V., 1000-1000 mf., @ 15 V., electrolytic	4.75	n-RMX-312	CLIP—For "A" battery	.15
RCC-123	C2	.022 mf., paper	.40	n-ROP-032	LOUDSPEAKER—3 1/2-inch, PM	4.95
RCN-039	C8	2.2 mmf., 20%, 500 V.	.15	RWL-031	POWER CORD—6 ft. long, light gray, Model 660	.75
n-RCT-086	C1A, B, C, D	Tuning capacitor, two-gang	3.60	n-RWL-034	POWER CORD—6 ft. long, red, for Model 661	.65
RCW-3014	C4	5000 mmf., ceramic	.25	n-RZC-046	CLOCK—60-cycle, dark gray, for Model 660	13.80
RCW-3018	C17	2000 mmf., ceramic	.25	n-RZC-047*	CLOCK—60-cycle, gold, for Model 661	13.65
RCW-3075	C3	47 mmf., ceramic	.25			
RCW-3079	C11	100 mmf., ceramic	.25			
RCW-3089	C12A, B, C, D	Bulplate—.002 mf., 200 mmf., .005 mf., .004 mf.	.90			
RCW-3118	C7	3000 mmf., ceramic	.25			
RESISTORS (1/2 WATT, CARBON) 10%				MISCELLANEOUS MECHANICAL		
URD-011	R3	27 ohms	\$0.13	RHC-041	CLIP—For mtg. electrolytic C13	\$0.05
URD-017	R15	47 ohms	.13	RHC-053	CLIP—I-F transformer mtg. clip	.02
URD-037	R17	330 ohms	.13	RHC-060	CLAMP SUPPORT—Plastic for antenna	.15
URD-039	R11	390 ohms	.13	n-RHC-089	CLIP—For handle bail, Models 660 and 661	.04
URD-049	R16	1000 ohms	.13	n-RHC-090	COTTER PIN—For thumbnut	.02
URD-061	R13	3300 ohms	.13	RHI-017	GROMMET—Two-piece strain relief insulator for power cord	.15
URD-073	R2	10K	.13	n-RHL-002	LOCK—Slide switch lock, light gray, for Model 660	.30
URD-083	R14	27K	.13	n-RHL-003	LOCK—Slide switch lock, red, for Model 661	.30
URD-097	R1	100K	.13	n-RHN-035	THUMBNUIT—For fastening cabinet back to receiver	.25
URD-121	R9	1 megohm	.13	n-RHS-151	STUD—Threaded for fastening cabinet back to receiver	.10
URD-133	R4, 5, 10	3.3 megohms	.13	RMC-017	CLIP—Electrolytic mtg. clip for C19	.10
URD-137	R8	4.7 megohms	.13	n-RMS-213	COMPRESSION RING—For volume control knob, Models 660, 661	.05
URD-145	R7	10 megohms	.13	RMS-272	COMPRESSION RING—For tuning knob, Models 660, 661	.05
URF-019	R12	56 ohms, 2 watts	.25	n-RMS-363	SPRING—Latch spring for clock	.03
POTENTIOMETER				CABINET AND APPEARANCE ITEMS		
n-RRC-322	R6, S2	VOLUME CONTROL AND SWITCH—1 megohm	\$1.50	n-RAB-264	CABINET BACK—For clock, light gray, Model 660	\$2.50
				n-RAB-265	CABINET BACK—For clock, red, Model 661	2.50
				n-RAB-266	CABINET BACK—For radio, light gray, Model 660	2.50
				n-RAB-267	CABINET BACK—For radio, red, Model 661	2.50
				n-RAC-158	CABINET FRONT—For clock, dark gray, Model 660	2.50
				n-RAC-159	CABINET FRONT—For clock, white, Model 661	2.50
				n-RAC-160	CABINET FRONT—For radio, dark gray, with grille, Model 660	5.00
				n-RAC-161	CABINET FRONT—For radio, white, with grille, Model 661	5.00
				n-RAG-082	GRILLE—For speaker, gold, Models 660, 661	1.25
				n-RDK-491	KNOB—For volume control, dark gray, Model 660	.35
				n-RDK-492	KNOB—For volume control, white, Model 661	.35
				n-RDK-493	KNOB—For tuning control, dark gray, Model 660	.45
				n-RDK-494	KNOB—For tuning control, white, Model 661	.45
				n-RHY-070	HANDLE—Light gray, less clips, Model 660	.40
				n-RHY-071	HANDLE—Red, less clips, Model 661	.40
				n-RJC-044	BLADE AND CONTACT ASSEMBLY—Light gray, Model 660	.35
				n-RJC-045	BLADE AND CONTACT ASSEMBLY—Red, Model 661	.35
				n-RZK-029	KNOB—For clock, dark gray, Model 660	.10
				n-RZK-030	KNOB—For clock, white, Model 661	.10
				n-RZW-017	CRYSTAL—For clocks RZC-046 and RZC-047	.30

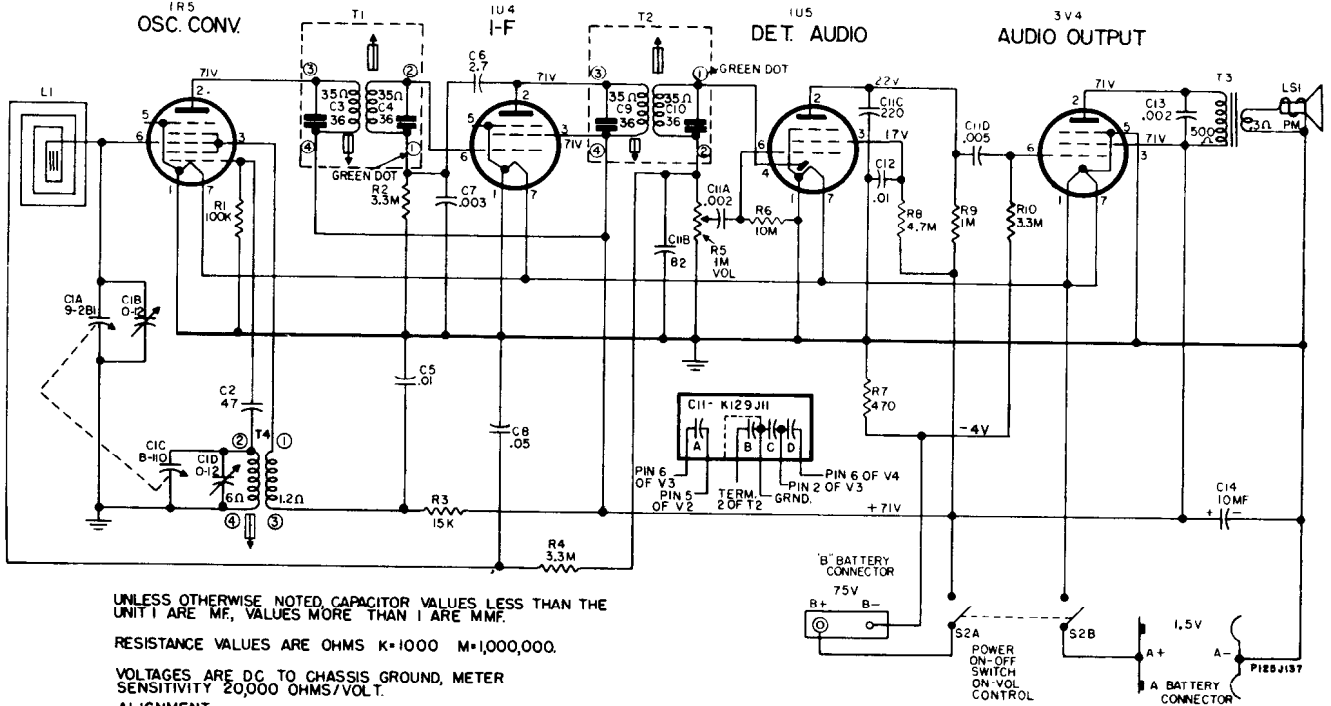
PRICES ARE SUGGESTED LIST PRICES AND ARE SUBJECT TO CHANGE WITHOUT NOTICE
 "n"—INDICATES PARTS NOT USED ON PREVIOUS RECEIVERS

* REPLACES WHITE CLOCK—SAME CAT. NO.

MODELS 665, 666, 667

GAINS FOR NORMAL BATTERY OPERATING POSITION

GAIN ——— 3.3X @ 455 KC ——— 120X @ 455 KC ——— 67X @ 400~ ——— 1.6 VAC AT PIN 6 FOR 0.4 VAC ACROSS LS1 @ 400~ RMS



UNLESS OTHERWISE NOTED, CAPACITOR VALUES LESS THAN THE UNIT ARE MF, VALUES MORE THAN 1 ARE MMF.

RESISTANCE VALUES ARE OHMS K=1000 M=1,000,000.

VOLTAGES ARE DC TO CHASSIS GROUND, METER SENSITIVITY 20,000 OHMS/VOLT.

ALIGNMENT

- I-F - PEAK T1, T2 @ 455 KC
- R-F - 1. PEAK C1D @ 162 KC GANG OPEN.
- 2. PEAK C1B @ 1500 KC ROCK GANG.
- 3. PEAK IRON CORE T4 @ 600 KC ROCK GANG.
- 4. REPEAT AS NECESSARY.

REPLACEMENT PARTS LIST MODELS 665, 666 AND 667

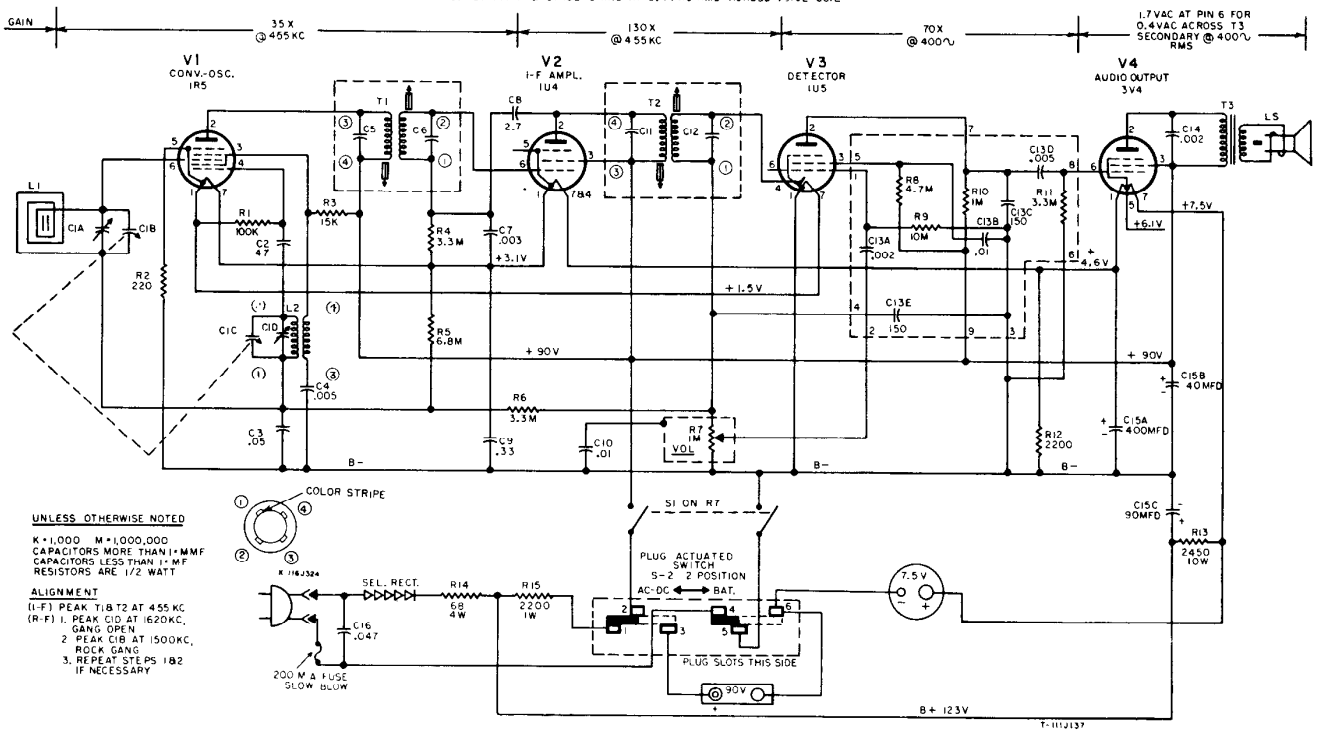
CAT. NO.	SYMBOL	DESCRIPTION	PRICE	CAT. NO.	SYMBOL	DESCRIPTION	PRICE
CAPACITORS				COILS AND TRANSFORMERS (Cont'd)			
RCE-172	C14	10 mfd., 100 V, electro.....	\$1.15	RTL-152	T1, 2	TRANSFORMER—I-F.....	\$3.80
RCN-082	C11A, B, C, D	.002 mf., 82 mmf., 220 mmf., .005 mf....	.85	RTO-153	T3	TRANSFORMER—Output.....	2.20
RCT-075	C1	Tuning capacitor—two-gang.....	3.60	MISCELLANEOUS ELECTRICAL			
RCW-3075	C2	47 mmf., ±20%, 500 V, cer.....	.25	RHC-034		CLIP—I-F transformer mounting clip..	.05
RCW-3118	C7	.003 mf., ±20%, 100 V, cer.....	.25	RJC-035		CONNECTOR—For "B" battery.....	.40
RCW-3119	C13	.002 mf., +100—0%, 450 V, cer.....	.25	RJS-144		SOCKET—Tube socket, with center shield.....	.25
<p>The following capacitors are common items which are obtainable from any Radio Parts Jobber, and are therefore not listed by Catalog Number.</p>				RJS-176		SOCKET—Tube socket.....	.25
	C6	2.7 mmf., ±5%, 500 V		ROP-028		LOUDSPEAKER—4-inch, PM.....	6.25
	CS, 12	.01 mf., 450 V, ceramic		MISCELLANEOUS MECHANICAL			
RESISTORS				RHB-016		PIN—Mounting pin for component pro- tector.....	.05
<p>The following resistors are common, ½ watt, 10% carbon types which are obtainable from any Radio Parts Jobber and are therefore not listed by Catalog Number.</p>				RHC-053		CLIP—I-F mounting clip.....	.02
	R1	100,000 ohms		RHC-060		CLAMP—Plastic clamp support for an- tenna.....	.15
	R2, 4, 10	3.3 megohms		RHW-055		WASHER—Felt washer for knob.....	.05
	R3	15,000 ohms		RMC-064		CLIP—Battery.....	.20
	R6	10 megohms		RMC-065		CLAMP—Battery.....	.04
	R7	470 ohms		RMC-066		CLAMP—Battery.....	.15
	R8	4.7 megohms		RMS-329		COMPRESSION RING—For volume and tuning knobs.....	.05
	R9	1 megohm		CABINET AND APPEARANCE ITEMS			
POTENTIOMETER				n-RAU-461		CABINET—Black, Model 665.....	
RRC-239	R5, S2	VOLUME CONTROL & SWITCH 1 megohm.....	1.70	n-RAU-462		CABINET—Red, Model 666.....	
				n-RAU-463		CABINET—Light Blue, Model 667.....	
				n-RDK-536		KNOB—Tuning, Black, with Maroon insert, Model 665.....	
				n-RDK-537		KNOB—Tuning, White, with Red insert, Model 666.....	
				n-RDK-538		KNOB—Tuning, White with Black in- sert, Model 667.....	
				n-RDK-563		KNOB—Volume, Black, Model 665.....	
				n-RDK-564		KNOB—Volume, Antique White, Model 666 and 667.....	
				RHY-066		HANDLE—Red, with handle clips, 666.....	1.05
RLC-129	T4	COIL—Oscillator.....	.90	n-RHY-076		HANDLE—Black, with handle clips, 665.....	
RLI-058	L1	ANTENNA COIL.....	1.50	n-RHY-077		HANDLE—Blue, with handle clips, 667.....	
				RMC-060		CATCH—Cabinet catch.....	.05

PRICES ARE SUGGESTED LIST PRICES AND SUBJECT TO CHANGE WITHOUT NOTICE

"n"—New Parts Not Previously Cataloged

MODELS 670, 671, 672, 673

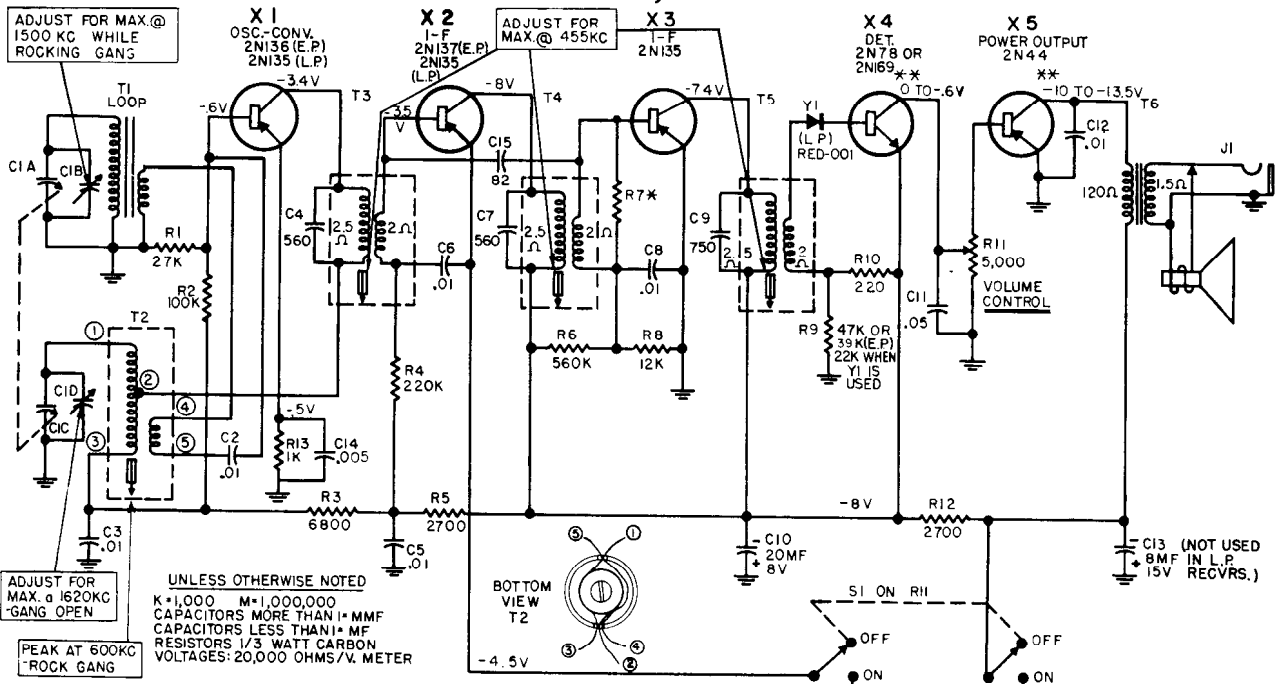
SENSITIVITY & STAGE GAINS AT 0.4V AC RMS ACROSS VOICE COIL



REPLACEMENT PARTS LIST, MODELS 670, 671, 672 AND 673

CAT. NO.	SYMBOL	DESCRIPTION	PRICE	CAT. NO.	SYMBOL	DESCRIPTION	PRICE
CAPACITORS				MISCELLANEOUS ELECTRICAL			
RCC-078	C3	.05 mf., ±20%, 400 V, paper	\$0.40	n-REF-026		FUSE—Slo-blo, 2/10 amp.	
n-RCE-230	C15A, B, C	400 mf., @ 10 V, 40 mf., 90 mf., @ 150 V, electrolytic		RER-020		SELENIUM RECTIFIER, 65 MA	\$2.60
RCN-070	C9	.33 mf., ±20%, 100 V, paper	.50	RJC-035		CONNECTOR—For "B" Battery	.40
n-RCN-109	C16	.047 mf., ±20%, 600 V, 105°, paper	.40	RJP-033		CONNECTOR—For "A" Battery	.15
n-RCT-098	C1	Tuning capacitor, two gang		RJS-232		SOCKET—7-pin tube socket with center shield	
RCW-3014	C4	.005 mf., +150-0%, 450 V, ceramic	.25	n-RJS-237		SOCKET—7-pin tube socket	
RCW-3118	C7	.003 mf., ±20%, 100 V, ceramic	.25	n-ROP-036		SPEAKER—4-inch, PM	
RCW-3119	C14	.002 mf., +100-0%, 450 V, ceramic	.25	n-RSW-114		SWITCH—AC-DC battery, with mounting bracket	
n-RCW-3250	C10	.01 mf., +150-0%, 1000 V, ceramic		RWL-027		CORD—Power cord and plug, brown, 6 feet long	1.20
n-REK-010	R8, 9, 10, 11	Capacitor—Resistor Network 4.7 meg., 10 meg., 1 meg., 3.3 meg.					
	C13A, B, C, D, E	.002 mf., .01 mf., 220 mmf., 005 mf., 150 mmf.					
The following capacitors are common items readily obtainable from any Radio Parts Jobber and, therefore, are not listed by catalog number.							
	C2	47 mmf., ±20%, 500 V, ceramic					
	C8	2.7 mmf., ±10%, 500 V, ceramic					
RESISTORS				MISCELLANEOUS MECHANICAL			
n-RRW-143	R14	68 ohms, 4-watt, wire-wound		RHC-089		CLIP—For handle bail	.04
n-RRW-144	R13	2450 ohms, 10-watt, wire-wound		RHC-095		CLIP—Tubular speaker mounting	.05
The following resistors are common carbon types, readily obtainable from any Radio Parts Jobber and, therefore, are not listed by catalog number.							
	R1	100,000 ohms, ½ watt		RHC-110		CLAMP—Plastic, antenna mounting	
	R2	220 ohms, ½ watt		RHI-017		STRAIN RELIEF—For power cord	.17
	R3	15,000 ohms, ½ watt		RHJ-007		SPACER—For power cord	.05
	R4	3.3 megohms, ½ watt		n-RMC-070		CATCH—For power cord compartment door	
	R5	6.8 megohms, ½ watt		n-RMC-071		CATCH—For cabinet front	
	R6	3.3 megohms, ½ watt		RMS-272		COMPRESSION RING—Tuning and volume knobs	.05
	R12	2200 ohms, ½ watt					
	R15	2200 ohms, 1 watt					
POTENTIOMETER				CABINET & APPEARANCE ITEMS			
n-RRC-367	R7	Volume control and switch, 1 megohm		n-RAD-202		DOOR—For cord compartment, Rust, Model 672	
COILS & TRANSFORMERS				n-RAD-203		DOOR—For cord compartment, Blue-green, Model 673	
n-RLC-139	L2	COIL—Oscillator		n-RAD-204		DOOR—For cord compartment, Black, Models 670 and 671	
n-RLL-069	L1	ANTENNA ASSEMBLY		n-RAG-098		GRILLE FRAME—Gold	
n-RTL-193	T1, 2	TRANSFORMER—I-F		n-RAU-465		CABINET—White and Rust, Model 672	
n-RTO-186	T3	TRANSFORMER—Output		n-RAU-466		CABINET—Light Blue and Blue-Green, Model 673	
				n-RAU-467		CABINET—Black, Model 670	
				n-RAU-468		CABINET—Black and White, Model 671	
				n-RDK-579		KNOB—Tuning, Rust, Model 672	
				n-RDK-580		KNOB—Tuning, Black, Models 670-671-673	
				n-RDK-582		KNOB—Volume, Rust, Model 672	
				n-RDK-583		KNOB—Volume, Black, Models 670, 671, 673	
				n-RHY-081		HANDLE—Rust, Model 672	
				n-RHY-082		HANDLE—Blue-Green, Model 673	
				n-RHY-083		HANDLE—Black, Models 670 and 671	
				RYN-033		MEDALLION	.30

MODELS 675, 676, 677, 678



ADJUST FOR MAX. @ 1500 KC WHILE ROCKING GANG

X 1
OSC.-CONV.
2N136 (E.P.)
2N135 (L.P.)

X 2
I-F
2N137 (E.P.)
2N135 (L.P.)

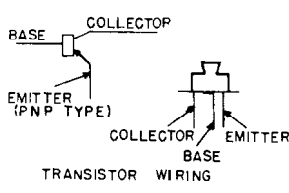
X 3
I-F
2N135

X 4
DET.
2N78 OR
2N169 **

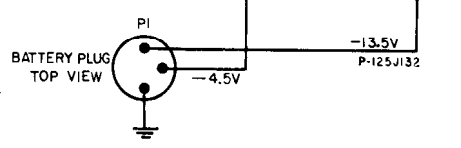
X 5
POWER OUTPUT
2N44

ADJUST FOR MAX. @ 1620 KC - GANG OPEN

UNLESS OTHERWISE NOTED
K = 1,000 M = 1,000,000
CAPACITORS MORE THAN 1 μMF
CAPACITORS LESS THAN 1 μMF
RESISTORS 1/3 WATT CARBON
VOLTAGES: 20,000 OHMS/V. METER



* NOTE:
REPLACEMENT OF X1, X2 OR X3
MAY REQUIRE CHANGING THE
VALUE OF R7 (SEE TEXT).
VOLTAGES MEASURED TO GND
WITH 20,000 OHM/VOLT METER -
NORMAL SIGNAL APPLIED
** VOLTAGE VARIES WITH SETTING
OF R11.
E.P. INDICATES EARLY PRODUCTION RECEIVERS
L.P. INDICATES LATE PRODUCTION RECEIVERS



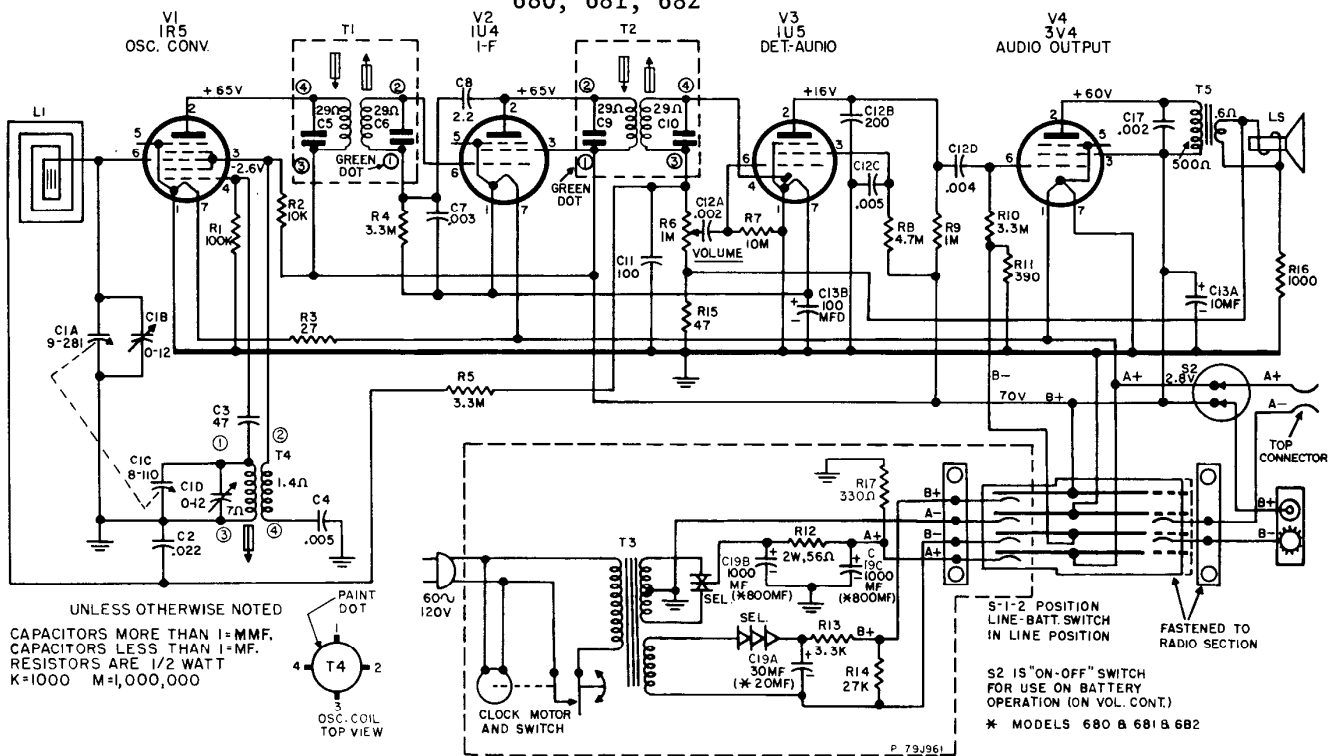
REPLACEMENT PARTS LIST
MODELS 675, 676, 677 & 678

CAT. NO.	SYMBOL	DESCRIPTION	PRICE	CAT. NO.	SYMBOL	DESCRIPTION	PRICE
CAPACITORS				COILS AND TRANSFORMERS (Cont'd)			
RCE-225	C13	8 mf., 15 V, electrolytic.....	\$1.65	RLC-140	T2	COIL—Oscillator coil, late production.....	\$2.75
RCE-226	C10	20 mf., 8 V, electrolytic.....	3.45	RLL-066	T1	COIL—Antenna coil.....	1.85
RCG-011	C4	560 mmf., 5%, 500 V, mica....	.65	RTL-188	T3	TRANSFORMER—1st I-F....	2.50
RCG-012	C7	560 mmf., 10%, 100 V, mica....	.65	RTL-189	T4	TRANSFORMER—2nd I-F....	2.50
RCG-013	C9	750 mmf., 5%, 500 V, mica....	.80	RTL-190	T5	TRANSFORMER—3rd I-F....	2.50
RCG-014	C15	82 mmf., 10%, 500 V, mica....	.20	RTO-182	T6	TRANSFORMER—Audio output.....	2.70
RCT-096	C1	TUNING CAPACITOR—Two gang.....	3.80				
RCW-3014	C14	.005 mf., +100 -0%, 450 V, ceramic.....	.25				
RCW-3186	C2, 3, 5, 6, 8, 12	0.1 mf., +150 -0%, 450 V, ceramic.....	.30				
RCW-3242	C11	0.5 mf., +80 -20%, 100 V, ceramic.....	.40				
POTENTIOMETER				MISCELLANEOUS ITEMS			
RRC-351	R11, S1	VOLUME CONTROL AND SWITCH—5000 ohms.....	1.70	RED-001		CRYSTAL DIODE—Y1, 400 ua	1.90
				RJP-051		BATTERY CONNECTOR...	.15
				RJS-230		JACK—Sub-miniature jack, J1, for ear plug.....	.90
				RMC-069		RETAINING RING — For speaker.....	.30
				ROP-034		SPEAKER—2 3/4 inches, PM...	5.50
RESISTORS (CARBON, 1/2 WATT, 10%)				CABINET AND APPEARANCE ITEMS			
RRH-004	R8	12,000 ohms.....	.15	RAG-095		GRILLE CLOTH ASSEMBLY—Gold, all models.....	.30
RRH-006	R1	27,000 ohms.....	.15	RAU-458		CABINET—Black, plastic, front and back, Model 675...	3.20
RRH-012	R13	1000 ohms.....	.15	RAU-459		CABINET — Ivory, plastic, front and back, Model 676...	3.20
<p>The following resistors may be replaced by 1/2 watt, 10%, carbon resistors, which are obtainable from any Radio Parts Jobber, and are therefore not listed by Catalog Numbers.</p>				*RAU-460		CABINET—Aqua, plastic, front and back, Model 678.....	
	R2	100,000 ohms.....		*RAU-464		CABINET—Red, plastic, front and back, Model 677.....	
	R3	6800 ohms.....		RDK-532		KNOB—Tuning knob, Bronze, all models.....	.75
	R4	220,000 ohms.....		RDK-533		KNOB—Volume, Black, Model 675.....	.85
	R5, 12	2700 ohms.....		RDK-534		KNOB—Volume, Ivory, Model 676.....	.85
	R6	560,000 ohms.....		*RDK-535		KNOB—Volume, Aqua, Model 678.....	
	R7	100 to 500 ohms (See text under I-F Amplifier).....		*RDK-578		KNOB—Volume, Red, Model 677.....	
	R9	47,000 or 39,000 ohms (E.P.)		RHS-163		SCREW AND INSERT—Gold, for tuning knob, Models 675, 676, 677.....	.80
	R9	22,000 ohms (L.P.).....		*RHS-165		SCREW AND INSERT — White, for tuning knob, Model 678.....	
	R10	220 ohms.....					
COILS AND TRANSFORMERS							
RLC-138	T2	COIL—Oscillator coil, early production.....	2.75				

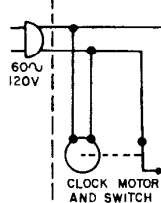
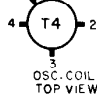
PRICES ARE SUGGESTED LIST PRICES AND ARE SUBJECT TO CHANGE WITHOUT NOTICE

(E. P.) INDICATES EARLY AND (L. P.) INDICATES LATE PRODUCTION RECEIVERS

680, 681, 682



UNLESS OTHERWISE NOTED
 CAPACITORS MORE THAN 1=MMF.
 CAPACITORS LESS THAN 1=MF.
 RESISTORS ARE 1/2 WATT
 K=1000 M=1,000,000



S1-2 POSITION
 LINE-BATT. SWITCH
 IN LINE POSITION
 FASTENED TO
 RADIO SECTION

S2 IS "ON-OFF" SWITCH
 FOR USE ON BATTERY
 OPERATION (ON VOL. CONT.)

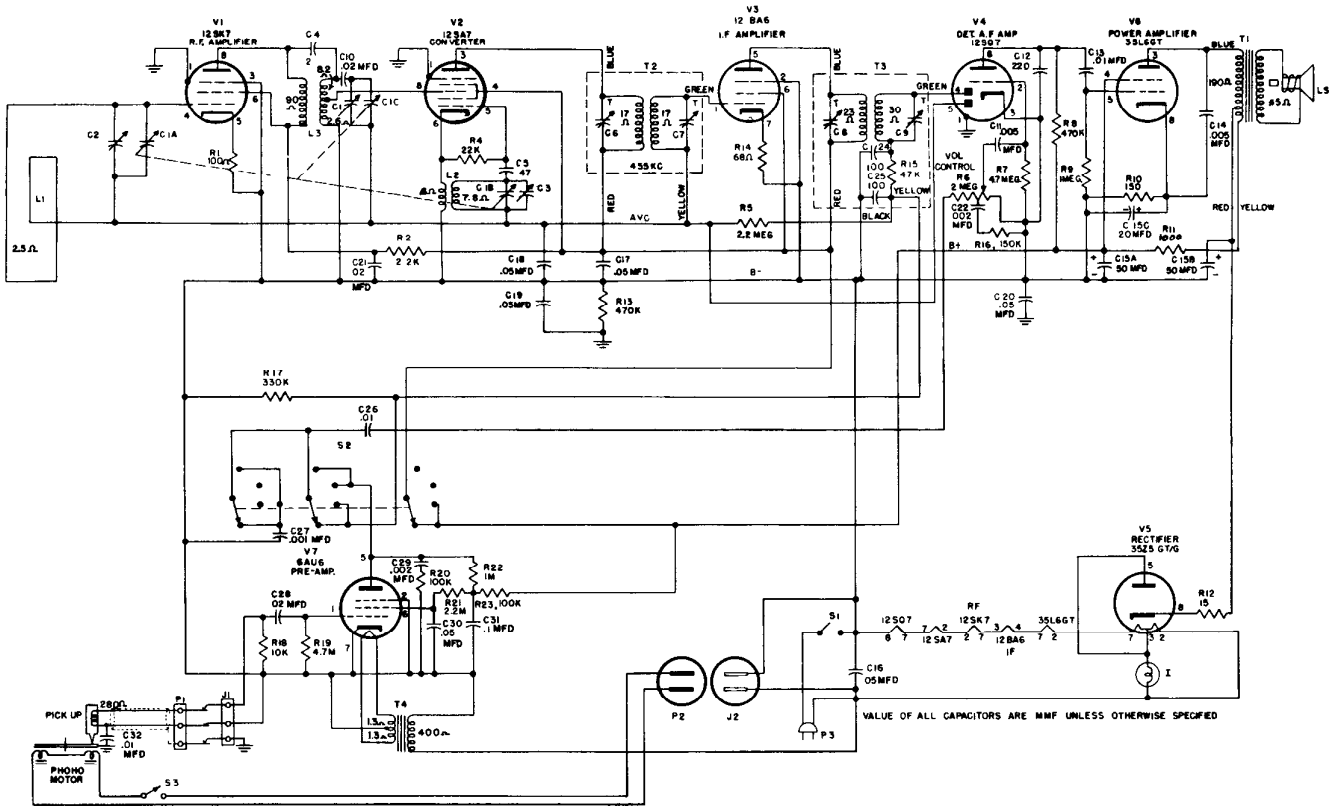
* MODELS 680 & 681 & 682

REPLACEMENT PARTS LIST MODELS 680, 681 AND 682

CAT. NO.	SYMBOL	DESCRIPTION	PRICE	CAT. NO.	SYMBOL	DESCRIPTION	PRICE
CAPACITORS				MISCELLANEOUS MECHANICAL			
RCC-123	C2	.022 mf., paper	\$0.40	RHC-041		CLIP—For mounting electrolytic, C13.	\$0.05
RCE-213	C13A, B	10 mf., @100 V, 100 mf., @3 V, electrolytic	1.50	RHC-053		CLIP—I-F transformer mounting clip	.15
n-RCE-227	C19A, B, C	20 mf., @100 V, 800 mf., @15 V, 800 mf., @15 V, electrolytic	3.65	RHC-060		CLAMP SUPPORT—Plastic for antenna	.04
RCN-039	C8	2.2 mmf., 20%, 500 V	.15	RHC-089		CLIP—For handle bail, all models	.02
RCT-086	C1A, B, C, D	Tuning capacitor, two-gang	3.60	RHC-090		COTTER PIN—For thumbnut	.15
RCW-3014	C4	5000 mmf., ceramic	.25	RHI-017		GROMMET—Two-piece strain relief insulator for power cord	.15
RCW-3018	C17	2000 mmf., ceramic	.25	RHL-002		LOCK—Slide switch lock, light gray, for Model 680	.30
RCW-3075	C3	47 mmf., ceramic	.25	RHL-003		LOCK—Slide switch lock, red, for Model 681	.30
RCW-3079	C11	100 mmf., ceramic	.25	n-RHL-004		LOCK—Slide switch lock, tan, for Model 682	.30
RCW-3089	C12A, B, C, D	Bulbplate, .002 mf., 200 mmf., .005 mf., .004 mf.	.90	RHN-035		THUMBNUIT—For fastening cabinet back to receiver	.25
RCW-3118	C7	3000 mmf., ceramic	.25	RHS-041		SCREW	.02
<p>The following resistors are common carbon types (1/2 watt unless otherwise noted) which are readily obtainable from any Radio Parts Jobber and are therefore not listed by catalog number.</p>				RHS-151		STUD—Threaded for fastening cabinet back	.10
	R3	27 ohms		RMS-213		COMPRESSION RING—For volume control knob, all models	.05
	R15	47 ohms		RMS-272		COMPRESSION RING—For tuning knob, all models	.05
	R17	330 ohms		RMS-363		SPRING—Latch spring for clock	.03
	R11	390 ohms		CABINET AND APPEARANCE ITEMS			
	R16	1000 ohms		RAB-266		CABINET BACK—For radio, light gray, for Model 680	2.50
	R13	3300 ohms		RAB-267		CABINET BACK—For radio, red, Model 681	2.50
	R2	10 K		n-RAB-301		CABINET BACK—For clock, light gray, for Model 680	
	R14	27 K		n-RAB-302		CABINET BACK—For clock, red, for Model 681	
	R1	100 K		n-RAB-307		CABINET BACK—For clock, tan, for Model 682	
	R9	1 megohm		n-RAB-308		CABINET BACK—For receiver, tan, for Model 682	
	R4, 5, 10	3.3 megohms		n-RAC-182		CABINET FRONT—For clock, dark gray, for Model 680	
	R8	4.7 megohms		n-RAC-183		CABINET FRONT—For clock, antique white, for 681	
	R7	10 megohms		n-RAC-184		CABINET FRONT—For radio, dark gray, for Model 680	
	R12	56 ohms, 2 watts		n-RAC-185		CABINET FRONT—For radio, antique white, for 681	
				n-RAC-191		CABINET FRONT—For clock, white, for Model 682	
				n-RAC-192		CABINET FRONT—For radio, white, for Model 682	
POTENTIOMETER				RDK-491		KNOB—For volume control, dark gray, for Model 680	.35
RRC-322	R6, S2	VOLUME CONTROL AND SWITCH, 1 megohm	1.50	RDK-492		KNOB—For volume control, white, for Model 681	.35
COILS AND TRANSFORMERS				RDK-493		KNOB—For tuning control, dark gray, for Model 680	.45
RLC-129	T4	COIL—Oscillator	.90	RDK-494		KNOB—For tuning control, white, for Model 681	.45
RLL-063	L1	ANTENNA—Loop assembly	1.25	n-RDK-576		KNOB—For volume control, white, for Model 682	
RTL-182	T1, 2	TRANSFORMER—I-F	1.65	n-RDK-577		KNOB—For tuning control, white, for Model 682	
RTO-172	T5	TRANSFORMER—Output	2.05	RHY-070		HANDLE—Light gray, less clips, for Model 680	.40
RTP-328	T3	TRANSFORMER—Power	3.60	RHY-071		HANDLE—Red, less clips, for Model 681	.40
MISCELLANEOUS ELECTRICAL				n-RHY-079		HANDLE—Tan, less clips, for Model 682	
RER-011		SELENIUM RECTIFIER—25 ma	.95	RJC-044		BLADE AND CONTACT ASSEMBLY—Light gray, for Model 680	.35
RER-021		SELENIUM RECTIFIER—150 ma	1.75	RJC-045		BLADE AND CONTACT ASSEMBLY—Red, for Model 681	.35
RJB-064		CONTACT BOARD—Two (2) terminal assembly for receiver	.20	n-RJC-049		BLADE AND CONTACT ASSEMBLY—Tan, for Model 682	
RJB-065		CONTACT BOARD—Four (4) terminal assembly for clock	.35	RZK-017		KNOB—For clock, clear, all models	.10
RJC-043		CONNECTOR—For "B" battery	.40	n-RZW-029		CRYSTAL—For clock, clear, all models	
RJC-044		SEE CABINET AND APPEARANCE ITEMS	.35				
RJC-045		SEE CABINET AND APPEARANCE ITEMS	.35				
n-RJC-049		SEE CABINET AND APPEARANCE ITEMS	.35				
RJS-144		SOCKET—7-pin tube socket with center shield	.25				
RJS-176		SOCKET—7-pin tube socket	.25				
RMX-312		CLIP—For "A" Battery	.15				
ROP-032		LOUDSPEAKER—3 1/4 inch, PM	4.95				
RWL-027		POWER CORD—6 ft., brown, Model 682	1.20				
RWL-031		POWER CORD—6 ft. long, light gray, for Model 680	.75				
RWL-034		POWER CORD—6 ft. long, red, for Model 681	.65				
n-RZC-064		LOCK—60-cycle, Brass-Bronze, Models 680, 681 and 682					

PRICES ARE SUGGESTED LIST PRICES AND ARE SUBJECT TO CHANGE WITHOUT NOTICE
 "n"—DENOTES PARTS NOT PREVIOUSLY CATALOGED

MODEL 740

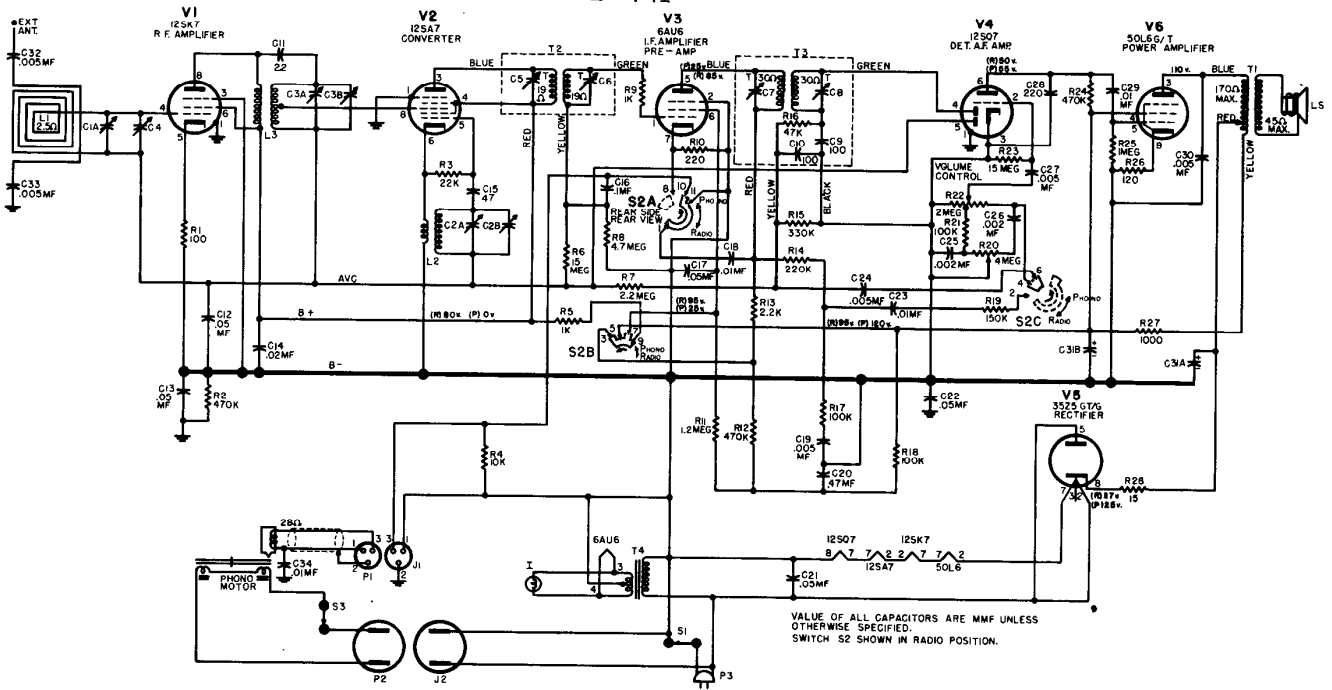


REPLACEMENT PARTS LIST—MODEL 740

Cat. No.	Symbol	Description	Suggested Unit List Price	Cat. No.	Symbol	Description	Suggested Unit List Price
UNIVERSAL REPLACEMENT PARTS				SPECIALIZED REPLACEMENT PARTS (Cont'd)			
UCC-035	C27	CAPACITOR—.001 mf., 600 v., paper	\$0.25	RDC-032		DIAL CORD	\$2.50/25 yd
UCC-036	C22, 29	CAPACITOR—.002 mf., 600 v., paper	.25	RDE-097		ESCUTCHEON	
UCC-039	C11	CAPACITOR—.005 mf., 600 v., paper	.25	RDK-212		DRAWER PULL	.45
UCC-040	C13, 26	CAPACITOR—.01 mf., 600 v., paper	.25	RDK-231		KNOB	
UCC-041	C21, 28, 10	CAPACITOR—.02 mf., 600 v., paper	.25	RDK-232		KNOB (ARROW)	
UCC-045	C17, 18, 19, 20, 30	CAPACITOR—.05 mf., 600 v., paper	.30	RDP-051		POINTER—Dial pointer	.25
UCC-048	C31	CAPACITOR—.1 mf., 600 v., paper	.45	RDS-102		BACK PLATE AND DIAL SCALE	
UCU-020	C5	CAPACITOR—47 mmf., mica	.20	RMC-002		CLIP—Oscillator coil	.05
UCU-036	C12	CAPACITOR—220 mmf., mica	.30	RHC-024		CLIP for capacitor	.10
URD-005	R12	RESISTOR—15 ohms, 1/2 w., carbon	.13	RHC-038		MOUNTING CLIP (RF CLIP)	
URD-021	R14	RESISTOR—68 ohms, 1/2 w., carbon	.13	RHG-018		GROMMET (TUNING CAPACITOR MTG.)	.05
URD-025	R1	RESISTOR—100 ohms, 1/2 w., carbon	.13	RHG-029		GROMMET	.05
URD-029	R10	RESISTOR—150 ohms, 1/2 w., carbon	.13	RHJ-007		SPACER (TUNING CAP. MTG.)	.05
URD-057	R2	RESISTOR—2200 ohms, 1/2 w., carbon	.13	RHS-064		SCREW—Wood, No. 4 x 7/16 in., lg, rd. hd.	
URD-073	R18	RESISTOR—10,000 ohms, 1/2 w., carbon	.13	RJC-001		SPEAKER LEAD PINS	.05
URD-081	R4	RESISTOR—22,000 ohms, 1/2 w., carbon	.13	RJS-003		TUBE SOCKET for V1, V2, V4, V5, V6	.20
URD-097	R20, 23	RESISTOR—100,000 ohms, 1/2 w., carbon	.13	RJS-049	J2	PHONO POWER SOCKET	.25
URD-101	R16	RESISTOR—150,000 ohms, 1/2 w., carbon	.13	RJS-092		TUBE SOCKET for V7	.20
URD-109	R17	RESISTOR—330,000 ohms, 1/2 w., carbon	.13	RJS-097	J1	PHONO SOCKET	.20
URD-113	R8, 13	RESISTOR—470,000 ohms, 1/2 w., carbon	.13	RJS-141		TUBE SOCKET for V3	.20
URD-121	R9, 22	RESISTOR—1 meg., 1/2 w., carbon	.13	RJX-031		PILOT LAMP SOCKET	.40
URD-129	R5, 21	RESISTOR—2.2 meg., 1/2 w., carbon	.13	RLC-015	L2	OSCILLATOR COIL	.85
URD-137	R7, 19	RESISTOR—4.7 meg., 1/2 w., carbon	.13	RLI-125	L3	RF COIL	
URF-049	R11	RESISTOR—1000 ohms, 2 w., carbon	.25	RLL-041	L1	LOOP—Antenna loop	
SPECIALIZED REPLACEMENT PARTS				RMM-151		CHANNEL RUBBER	.55
RAB-144		CABINET BACK	\$8.50	RMM-153		DRAWER SLIDE	2.75
RAC-084		CHANGER PAN (COVER)		RMS-130		DIAL CORD SPRING	.15
RAV-140		CABINET (MAHOGANY)		RMS-221		STABILIZER SPRING	.25
RCE-117	C15A,B,C,D	CAPACITOR—Electrolytic		RMX-174		DRIVE SHAFT AND BUSHING ASSEMBLY	9.95
RCN-039	C4	CAPACITOR—2 mmf., mica		ROP-018	P2	SPEAKER—10 inch	.15
RCT-048	C1A,B,C,C3	TUNING CAPACITOR		RJP-003	P1	AC POWER PLUG	.10
RCY-016	C2	CAPACITOR—Trimmer		RJC-007	R6, S3	PHONO PLUG	.10
				RRC-151		VOLUME CONTROL AND SWITCH	
				RSW-084	S2	PHONO-RADIO-TONE SWITCH	
				RTF-001	T4	FILAMENT TRANSFORMER	3.40
				RTL-115	T2	1st I-F TRANSFORMER	
				RTL-116	T3	2nd I-F TRANSFORMER	
				RTO-038	T1	OUTPUT TRANSFORMER	3.05
				RWL-004		POWER CORD	.75

Prices subject to change without notice.

MODEL 741



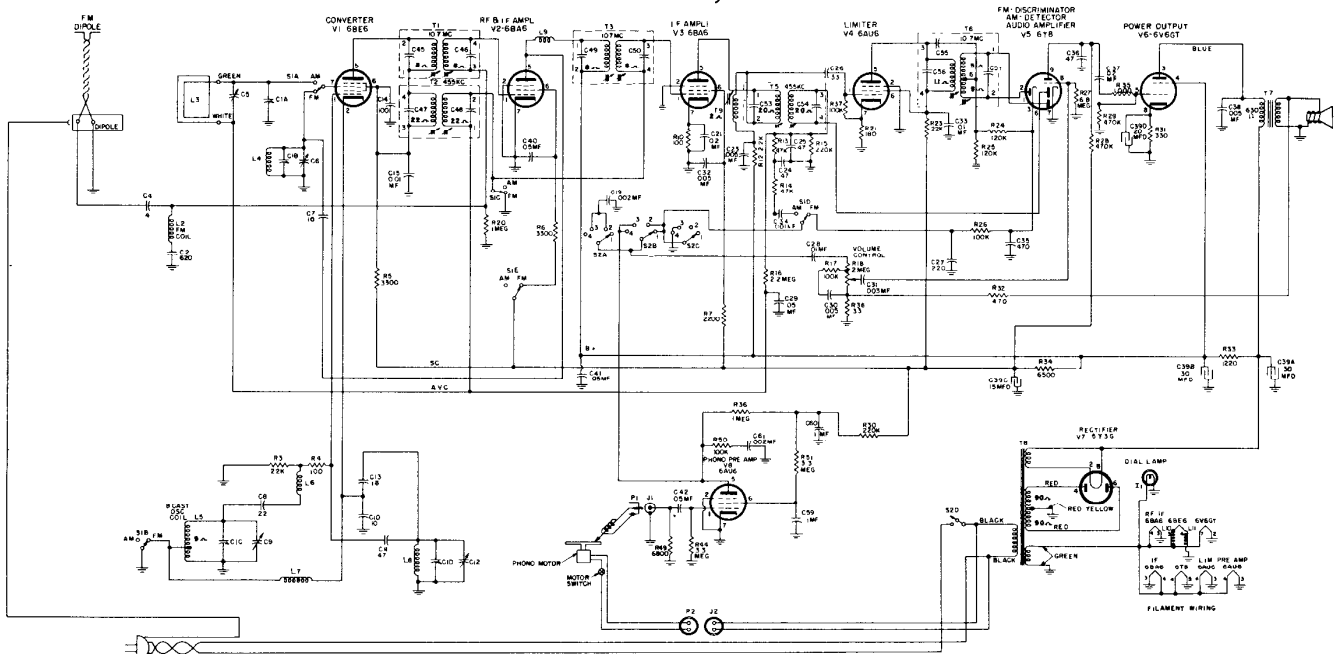
MODEL 741 REPLACEMENT PARTS LIST

Cat. No.	Symbol	Description	Unit Price	Cat. No.	Symbol	Description	Unit Price
CAPACITORS				MISCELLANEOUS ELECTRICAL			
RCC-110	C16	.1 mfd, 200 v	\$0.40	*RJC-019		PINS—Speaker lead	\$0.10
RCE-135	C31A, B	Electrolytic	2.10	RJP-003	P2	PLUG—Phono power (male)	.15
*RCN-039	C11	2.2 mmf, silver mica	.15	*RJS-003		SOCKET—Tube for V1, V2, V4, V5, V6	.20
*RCT-048	C1A, 2A, 2B, 3A, 3B	Tuning gang	3.60	*RJS-049	J2	SOCKET—Phono power female	.25
*RCY-016	C4	Trimmer	.35	*RJS-097	J1	SOCKET—Phono on chassis	.20
*UCG-020	C15	47 mmf, silver mica	.35	*RJS-141		SOCKET—Tube for V3	.20
*UCG-1036	C28	220 mmf, silver mica	.35	RJX-007	P1	PLUG—Phono (male)	.10
*UCC-036	C25, 26	.002 mf, 600 v, paper	.30	RJX-031		SOCKET—Pilot lamp	.40
*UCC-039	C19, 24, 27, 30, 32, 33	.005 mf, 600 v, paper	.25	RPJ-014		STYLUS—Dual stylus for pickup RPX-048	5.95
*UCC-040	C18, 23, 29	.01 mf, 600 v, paper	.25	RPX-048		PICKUP—High output dual stylus pickup	13.95
*UCC-041	C14	.02 mf, 600 v, paper	.25	*RWL-004		CORD—Power	.75
*UCC-045	C12, 13, 17, 21, 22	.05 mf, 600 v, paper	.30				
*UCC-048	C20	.1 mf, 600 v, paper	.45				
RESISTORS				MISCELLANEOUS MECHANICAL			
*RRC-151	R22, S1	Volume and switch	1.60	*RDC-032		DIAL CORD (25 y'ds)	2.50
RRC-167	R20, S2	Tone and switch	4.50	RDP-062		POINTER	.35
*URD-005	R28	15 ohms, 1/2 w	.13	RDS-108		BACK PLATE AND DIAL SCALE	1.20
*URD-025	R1	100 ohms, 1/2 w	.13	*RHC-017		CLIP—For oscillator coil L2	.02
*URD-027	R26	120 ohms, 1/2 w	.13	*RHC-038		CLIP—R.F. coil mtg.	.02
*URD-033	R10	220 ohms, 1/2 w	.13	*RHC-024		CLIP—Capacitor	.10
*URD-049	R5, 9	1000 ohms, 1/2 w	.13	*RHG-018		GROMMET—Gang mtg.	.05
*URD-057	R13	2,200 ohms, 1/2 w	.13	*RHG-029		GROMMET—Phono power cord	.05
*URD-073	R4	10,000 ohms, 1/2 w	.13	*RHI-017		STRAIN RELIEF (Power cord)	.15
*URD-081	R3	22,000 ohms, 1/2 w	.13	*RHJ-007		SPACER—Gang mtg.	.05
*URD-097	R17, 18, 21	100,000 ohms, 1/2 w	.13	*RMC-002		CLIP—Osc. coil	.05
*URD-101	R19	150,000 ohms, 1/2 w	.13	*RMS-130		SPRING—Dial cord	.15
*URD-105	R14	220,000 ohms, 1/2 w	.13	RMX-174		DRIVE SHAFT AND BUSHING—For tuning control	.45
*URD-109	R15	330,000 ohms, 1/2 w	.13	*ROP-018		SPEAKER—10 in.	9.95
*URD-113	R2, 12, 24	470,000 ohms, 1/2 w	.13	*ROB-001		BRUSH—Record changer	.10
*URD-121	R25	1 meg, 1/2 w	.13				
*URD-123	R11	1.2 meg, 1/2 w	.13				
*URD-129	R7	2.2 meg, 1/2 w	.13				
*URD-137	R8	4.7 meg, 1/2 w	.13				
*URD-149	R6, 23	15 meg, 1/2 w	.13				
*URF-049	R27	1000 ohms, 2 w	.25				
COILS AND TRANSFORMERS				CABINETS AND CABINET PARTS			
*RLC-105	L2	OSCILLATOR COIL	.75	RAB-168	L1	LOOP AND BACK ASSEMBLY	2.75
*RLI-125	L3	R.F. TRANSFORMER	1.25	RAV-171		CABINET—Model 741	105.00
*RTF-001	T4	FILAMENT TRANSFORMER	3.40	RDE-122		ESCUTCHEON & DIAL WINDOW	4.50
*RTL-115	T2, C5, C6	1ST I.F. TRANSFORMER	1.90	RDK-257		KNOB—(Brown) Volume OFF-ON tuning	.45
*RTL-116	T3, C7, 8, 9, 10, R16	2ND I.F. TRANSFORMER	2.10	RDK-258		KNOB—(Brown) for switch	.30
RTO-111	T1	OUTPUT TRANSFORMER	2.60	RDK-259		KNOB—(Brown) (Tone)	.60

PRICES ARE SUGGESTED LIST PRICES AND SUBJECT TO CHANGE WITHOUT NOTICE.

*Parts used on previous models.

MODELS 752, 753



NOTE: CAPACITANCE IN MMF UNLESS OTHERWISE SPECIFIED

**MODELS 752 AND 753
REPLACEMENT PARTS LIST**

Cat. No.	Symbol	Description	Suggested Unit List Price	Cat. No.	Symbol	Description	Suggested Unit List Price
UNIVERSAL REPLACEMENT PARTS							
*UCC-035	C34	CAPACITOR—001 mfd., 600 v., paper	\$0.25	*URD-031	R21	RESISTOR—180 ohms, 1/4 w., carbon	\$0.13
*UCC-036	C19, C61	CAPACITOR—002 mfd., 600 v., paper	.25	*URD-041	R32	RESISTOR—470 ohms, 1/4 w., carbon	.13
*UCC-037	C31	CAPACITOR—003 mfd., 600 v., paper	.25	*URD-049	R35	RESISTOR—1000 ohms, 1/4 w., carbon	.13
*UCC-039	C30, C23, C32	CAPACITOR—005 mfd., 600 v., paper	.25	*URD-057	R7, R12	RESISTOR—2200 ohms, 1/4 w., carbon	.13
*UCC-040	C28, C15, C33, C42	CAPACITOR—.01 mfd., 600 v., paper	.25	URD-061	R6, R5	RESISTOR—3300 ohms, 1/4 w., carbon	.13
*UCC-041	C21, C37	CAPACITOR—.02 mfd., 600 v., paper	.25	*URD-069	R49	RESISTOR—6800 ohms, 1/4 w., carbon	.13
*UCC-045	C40, C41, C44	CAPACITOR—.05 mfd., 600 v., paper	.30	*URD-081	R3, R23	RESISTOR—22,000 ohms, 1/4 w., carbon	.13
*UCC-048	C59, C60	CAPACITOR—.1 mfd., 600 v., paper	.45	*URD-089	R13, R14	RESISTOR—47,000 ohms, 1/4 w., carbon	.13
*UCC-059	C38	CAPACITOR—.005—1000 v., mica	.30	*URD-097	R17, R26, R37, R50	RESISTOR—100,000 ohms, 1/4 w., carbon	.13
*UCU-001	C4	CAPACITOR—4 mmfd., 500 v., mica	.25	*URD-099	R24, R25	RESISTOR—120,000 ohms, 1/4 w., carbon	.13
*UCU-016	C26	CAPACITOR—33 mmfd., 500 v., mica	.30	*URD-105	R15, R30	RESISTOR—220,000 ohms, 1/4 w., carbon	.13
*UCU-020	C36	CAPACITOR—47 mmfd., 500 v., mica	.25	*URD-113	R28, R29	RESISTOR—470,000 ohms, 1/4 w., carbon	.13
*UCU-044	C35	CAPACITOR—470 mmfd., 500 v., mica	.30	*URD-121	R20, R36	RESISTOR—1 meg., 1/4 w., carbon	.13
*UCU-1036	C2	CAPACITOR—220 mmfd., 500 v., mica	.25	*URD-129	R16	RESISTOR—2.2 meg., 1/4 w., carbon	.13
*UCU-2047	R38	CAPACITOR—620 mmfd., 500 v., mica	.30	*URD-133	R44, R51	RESISTOR—3.3 meg., 1/4 w., carbon	.13
*URD-013	R2	RESISTOR—33 ohms, 1/4 w., carbon	.13	*URD-141	R27	RESISTOR—6.8 meg., 1/4 w., carbon	.13
*URD-025	R4, R10	RESISTOR—100 ohms, 1/4 w., carbon	.13	*URE-037	R31	RESISTOR—330 ohms, 1 w., carbon	.17

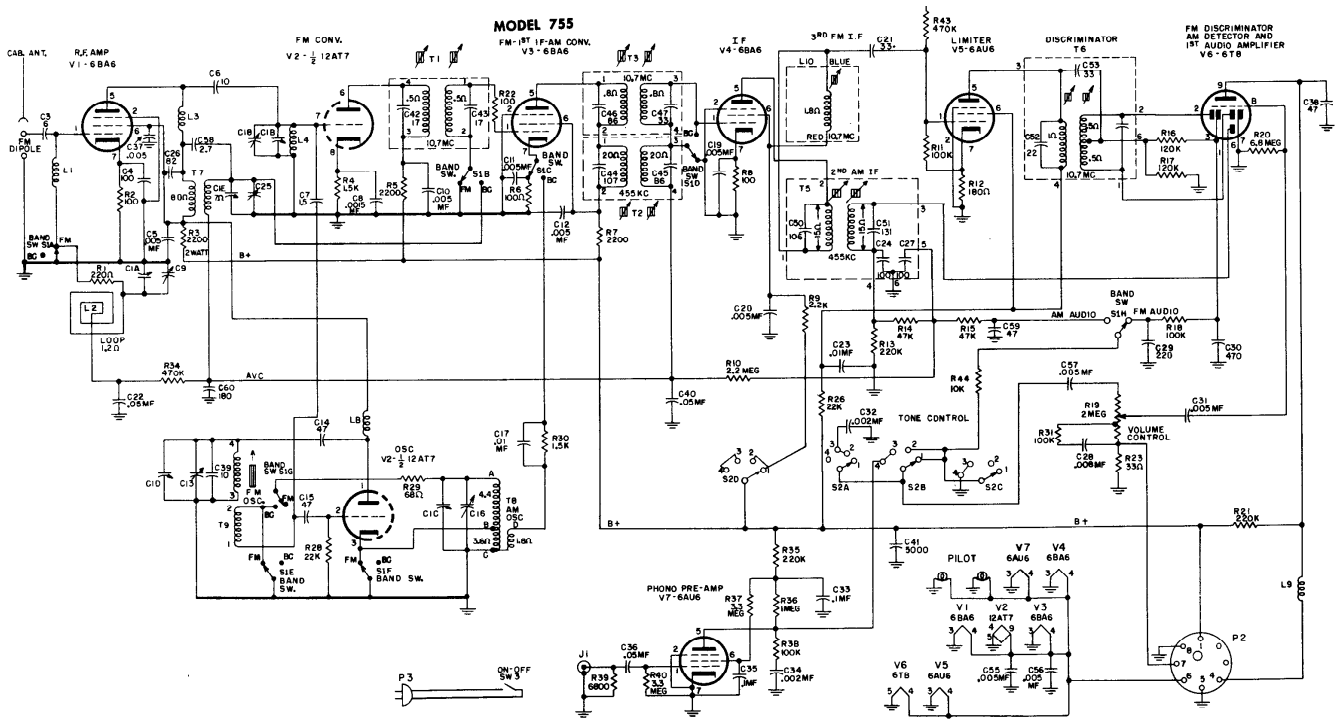
SPECIALIZED REPLACEMENT PARTS							
RAC-084		CHANGER PAN (COVER)	\$8.50	RJP-003	P2	AC POWER PLUG	\$0.15
RAV-122		CABINET-752 (MAHOGANY)	98.00	*RJP-004	P1	PHONO PLUG	.10
RAV-123		CABINET-753 (BLONDE)	110.00	*RJP-010	J1	PHONO JACK & PLUG (Female)	.10
*RCE-039	C39A, C39B, C39C, C39D	CAPACITOR—Electrolytic	3.50	RJS-003		SOCKET—Tube socket for V6, V7	.20
RCT-043	C1A, C1B, C1C, C1D	CAPACITOR (TUNING)	6.50	RJS-012		MOUNTING PLATE—For electrolytic	.10
*RCW-1043	C11	CAPACITOR—47 mmfd., ceramic	.35	*RJS-049	J2	PHONO POWER SOCKET (Female)	.25
*RCW-1047	C14	CAPACITOR—100 mmfd., ceramic	.60	RJS-092		SOCKET—Tube socket for V8	.20
*RCW-1053	C8	CAPACITOR—22 mmfd., ceramic	.60	RJS-118		SOCKET—Tube socket for V5	.35
*RCW-1060	C7, C10	CAPACITOR—10 mmfd., 0-coef., ceramic	.60	RJS-145		SOCKET—Tube socket for V1, V2, V3, V4	.20
*RCW-2031	C13	CAPACITOR—18 mmfd., ceramic	.60	RJX-031		PILOT LIGHT SOCKET	.40
RCY-055	C12	CAPACITOR—Trimmer	.65	*RLB-029	L4	COIL—FM R-F	.15
*RDC-032		DRIVE CORD	2.50/25 yd.	*RLC-066	L5	COIL—B-C osc.	.90
RDE-087		ESCUTCHEON	4.25	*RLC-102	L8	COIL—FM osc.	.15
RDK-212		DRAWER PULL	.45	*RLI-088	L2	CHOKE COIL—FM antenna	.13
RDK-213		KNOB	.35	*RLI-122	L6, L7, L10, L11	CHOKE COIL	.25
RDK-214		KNOB (ARROW)	.35	RLI-124	L9	CHOKE COIL—FM R-F pl. osc. cathode	.80
RDP-053		POINTER	.30	RLI-039	L3	LOOP ASSEMBLY	1.45
*RHC-017		COIL CLIP—For mounting L5	.05	RMM-151		CHANNEL RUBBER	.55
*RHC-034		CLIP—For mounting IF cam	.05	RMM-153		DRAWER SLIDE, GRANT PULLEY HARDWARE	2.75
*RHG-010		GROMMET RUBBER (tube)	.05	*RMS-111		SPRING (DIAL CORD)	.15
*RHG-015		GROMMET TUNING (gang)	.05	RMS-221		STABILIZER SPRING—On changer pan	.25
RHI-011		STRAIN RELIEF—On power cord	.05	RMX-171		DRIVE SHAFT & BUSHING ASSEMBLY	.45
*RHJ-006		SPACER TUNING (gang)	.05	RMX-172		DRUM AND SHAFT ASSEMBLY	.35
RRI-047		INSULATING WASHER—Under J1	.05	RRC-141	R18	VOLUME CONTROL	1.25
*RJC-001		SPEAKER LEAD PINS	.05	*RRT-003	R33, R34	RESISTOR—1220-6500 ohms, 9 w., w.w.	1.25
*RJC-002		SPEAKER LEAD CLIPS for S1212D7	.05	RSW-079	S1A, S1B, S1C, S1D	BAND CHANGE SWITCH	1.75
RSW-080	S2A, S2B, S2C, S2D	TONE CONTROL SWITCH	\$1.50	*RTL-099	T1, T3, C45, C46, C49, C50	1st, 2nd I-F TRANSFORMER—FM	\$2.45
*RTD-010	T6, C55, C56, C57	DISCRIMINATOR TRANSFORMER	4.95	*RTL-114	T9	FM COIL	1.10
*RTL-097	T2, C47, C48	1st I-F TRANSFORMER—AM	1.90	RTO-089	T7	OUTPUT TRANSFORMER	3.25
*RTL-098	T5, C25, C24, C53, C54	2nd I-F TRANSFORMER—AM	2.10	RTP-304	T8	POWER TRANSFORMER	12.50
				RWL-023		POWER CORD—3 wire, 8 ft.	1.10
				S1212D7		SPEAKER—12 inch.	11.25

NOTE: PRICES SUBJECT TO CHANGE WITHOUT NOTICE.

*Parts used on previous models.

REPLACEMENT PARTS LIST—Models 754-756

Cat. No.	Symbol	Description	Unit Price	Cat. No.	Symbol	Description	Unit Price
CAPACITORS							
RCE-039	C26A, B, C	15 mf., 300 v., 30-30 mf., 350 v., 20 mf., 25 v.	\$3.50				
RCN-001	C2014	1 mmf.	.20				
RCN-040	C1	6 mmf., ceramic	.25				
RCN-046	C2010	18 mmf., silver mica	.25				
*RCN-048	C6	1.5 mmf.	.20				
*RCT-055	C2001, C2002, 2003, 2004	F.M. tuning capacitor	3.50				
RCT-057	C2A, B, C.	A.M. tuning capacitor					
*RCW-026	C2007	1500 mmf., 300 v.	.25				
*RCW-2031	C2012	18 mmf.	.60				
*RCW-3014	C9, 10, 14, 15, 21, 39	.005 mf.	.25				
RCW-3037	C42	800 mmf.	.25				
*RCW-3065	C2009	22 mmf.	.60				
RCW-3067	C3, 4	470 mmf.					
*UCC-011	C12, 35, 37	.05 mf., 200 v.	.30				
*UCC-022	C23, 28	.005 mf., 400 v.	.25				
*UCC-036	C22, 38	.002 mf., 600 v.	.25				
*UCC-040	C11	.01 mf., 600 v.	.25				
*UCC-041	C20, 29	.02 mf., 600 v.	.45				
*UCC-048	C13, 16	.1 mf., 600 v.	.30				
*UCC-059	C40	.005 mf., 1000 v.	.25				
*UCG-016	C17	33 mmf., silver mica	.25				
*UCG-004	C2006	10 mmf.	.35				
*UCG-020	C27	47 mmf., silver mica	.35				
*UCG-1012	C8	22 mmf., silver mica	.35				
*UCG-1026	C2008	82 mmf., silver mica	.25				
UCU-044	C25	470 mmf.	.30				
UCU-536	C24	220 mmf.	.30				
RESISTORS							
RRC-179	R26, S3	Tone control 4 meg. and on-off switch					
RRC-180	R28	Volume control 2 megohms					
RRW-086	R51	600 ohms W. W.					
RRW-087	R53, 54	Dual 650 ohms & 1800 W. W. ohms	\$0.13				
*URD-019	R29	47 ohms					
*URD-025	R1, 4, 6	100 ohms, 1/2 w., carbon	.13				
*URD-029	R11	150 ohms, 1/2 w., carbon	.13				
*URD-031	R22	180 ohms, 1/2 w., carbon	.13				
*URD-041	R5, 8, 48	470 ohms, 1/2 w., carbon	.13				
*URD-045	R50, 7	680 ohms, 1/2 w., carbon	.13				
*URD-049	R16, 42	1000 ohms, 1/2 w., carbon	.13				
*URD-053	R2001	1500 ohms, 1/2 w., carbon	.13				
*URD-061	R12	3,300 ohms, 1/2 w., carbon	.13				
*URD-065	R2	4700 ohms, 1/2 w., carbon	.13				
*URD-079	R9	18,000 ohms, 1/2 w., carbon	.13				
*URD-081	R30, 2002	22,000 ohms, 1/2 w., carbon	.13				
*URD-089	R15	47,000 ohms, 1/2 w., carbon	.13				
*URD-097	R21, 24, 27, 31	100,000 ohms, 1/2 w., carbon	.13				
*URD-099	R34, 35	120,000 ohms, 1/2 w., carbon	.13				
*URD-101	R14, 24	150,000 ohms, 1/2 w., carbon	.13				
*URD-105	R18, 23, 37	220,000 ohms, 1/2 w., carbon	.13				
*URD-113	R20, 39, 45	470,000 ohms, 1/2 w., carbon	.13				
*URD-121	R17, 49	1 megohm, 1/2 w., carbon	.13				
*URD-129	R19	2.2 megohms, 1/2 w., carbon	.13				
*URD-131	R13	2.7 megohms, 1/2 w., carbon	.13				
URD-139	R55	Resistor 5.6 meg 1/2 w.	.13				
*URD-141	R10, 36	6.8 megohms, 1/2 w., carbon	.13				
*URE-037	R52	330 ohms, 1 w., carbon					
COILS AND TRANSFORMERS							
RLA-038	T1	TRANSF.—AM antenna					
*RLB-031	L2003	COIL—FM—RF coil	\$0.15				
RLB-033	T2	TRANSF.—AM—RF					
RLC-114	L2004	COIL—FM oscillator coil	.15				
RLC-116	T3	TRANSF.—AM oscillator					
*RLI-102	L2005, 2006, 2007	COIL—Choke coil, 1 milhenry	.35				
*RLI-122	L2002, 2008	COIL—2.2 milhenry choke coil	.25				
RLI-124	L2001, L4	COIL—RF plate choke coil	.80				
RLI-164	L1	COIL—FM antenna coil	.35				
RLL-048	L2	LOOP—AM antenna loop					
RTD-010	T8	TRANSF.—Discriminator former, 10.7 mc	4.95				
RTL-112	T4	TRANSF.—1st FM—IF	1.80				
RTL-113	T5	TRANSF.—2nd FM—IF	2.25				
RTL-131	T6	TRANSF.—1st AM—IF					
				COILS AND TRANSFORMERS (Cont'd)			
RTL-132	L3	COIL—3rd FM—IF coil, 10.7 mc					
RTL-134	T7	TRANSFORMER—2nd AM—IF					
RTO-113	T9	TRANSF.—Audio output					
RTP-311	T10	TRANSF.—Power, 60 cycle					
				MISCELLANEOUS ELECTRICAL			
RHC-040		TUBE SHIELD base for V1	\$0.05				
*RHS-091		SHIELD—For V2					
RHW-034		WASHER—Insulated shoulder washer for mounting RJC-023					
*RJI-047		WASHER—Phono jack washer for J1	.05				
*RJC-019		PIN—Speaker lead pins	.02				
RJC-023		PIN—Contact pin for limiter grid test point					
*RJP-003		A.C. PLUG—Female for 110V. A.C. on record changer	.15				
*RJP-004		PHONO PLUG—Mate (audio) on record changer	.10				
RJP-010		JACK—Phono jack (female)	.10				
*RJS-003		SOCKET—Octal socket for V7 and V8	.20				
*RJS-049	J2	SOCKET—Phono power socket (110 v.)	.25				
*RJS-118		SOCKET—Tube socket for V6 (9 pin)	.35				
*RJS-141		SOCKET—Tube socket for V4 (shock mounted)	.20				
*RJS-145		SOCKET—7 pin tube socket for V1, V3, V5	.30				
*RJS-174		SOCKET—Tube socket for V2	.40				
RMM-166		TUBE SHIELD—For V1	.15				
RPJ-014		STYLUS—Stylus and guide assembly, dual heavy bar type Hi Output 1 & 3 mil	5.95				
*RPX-048		PICKUP CARTRIDGE—Phono pickup	13.95				
RSW-091	S1, S2	SWITCH—AM—FM-phonoswitch					
RWX-044		SOCKET—Pilot light socket for dial scale					
*S1212D-7		SPEAKER—12 inch PM	12.95				
				MISCELLANEOUS MECHANICAL			
*RDC-032		DIAL CORD—N.F. 28	\$2.50				
RDS-112		SCALE—Back plate and dial scale					
RDP-066		POINTER—Dial pointer					
*RHC-038		CLIP—Mounting clip for mounting AM—RF coil T2	.02				
*RHG-010		GROMMET—Rubber for shock mounting V4	.05				
RHI-022		STRAIN RELIEF—For power cord					
*RMC-002		CLIP—For mounting oscillator coil T3	.05				
*RMS-111		SPRING—Dial cord tension spring in large drum	.15				
*RMS-243		SPRING—Coil spring in small drum for dial cord tension	.10				
*RMS-274		SPRING—For mounting insulated shaft and drive drum on FM tuning capacitor	.02				
RMX-201		SHAFT—Tuning drive shaft assembly					
RMX-202		ROLLER—Link and roller assembly between tuning capacitor shafts	.35				
RMX-203		DRUM—For FM tuning capacitor insulated shaft	.15				
RWL-028		CORD—Three wire power cord					
				CABINETS AND CABINET PARTS			
RAV-180		CABINET—Mahogany for 754					
RAV-181		CABINET—Blonde for 756					
RDE-127		ESCUTCHEON—For dial scale					
RDK-268		KNOB—Tuning and volume control knob					
RDK-269		KNOB—With dot for tone, ON-OFF and AM—FM—PH. switch controls					
<p>PRICES ARE SUGGESTED LIST PRICES AND ARE SUBJECT TO CHANGE WITHOUT NOTICE</p> <p>*PARTS USED ON PREVIOUS RECEIVERS</p>							

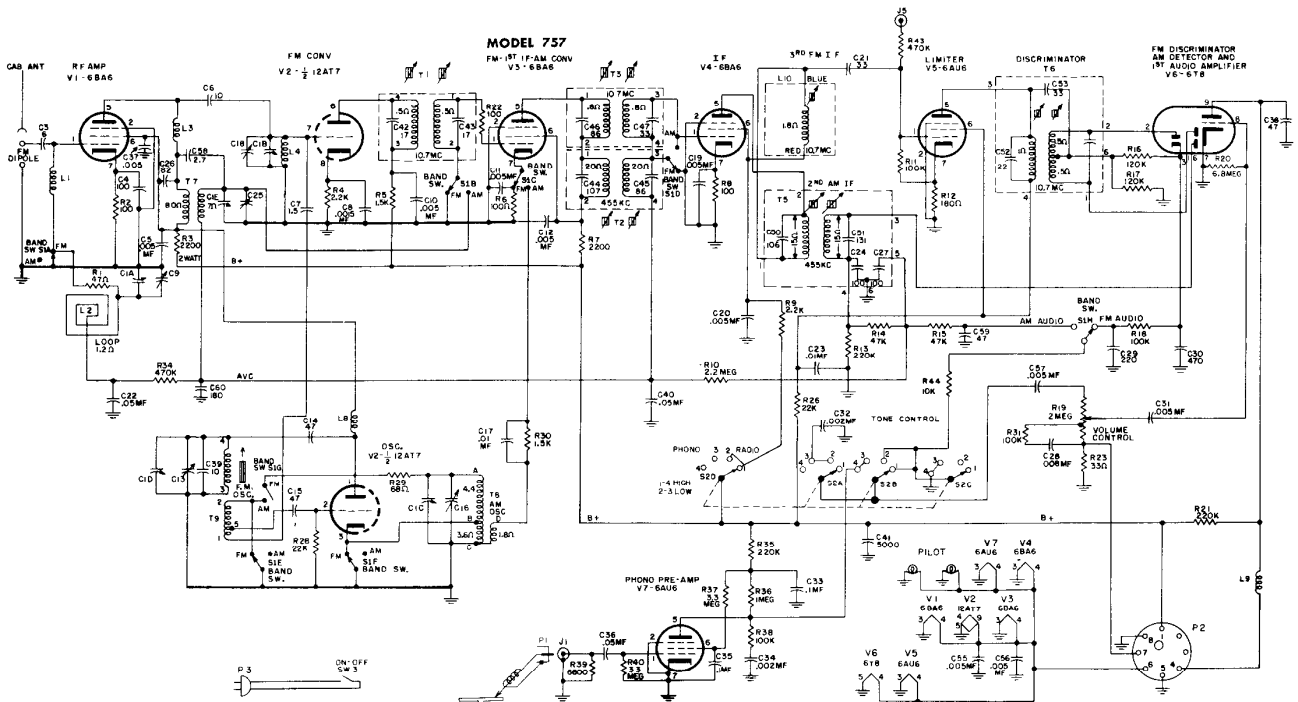


Power supply and audio output circuit same as Model 757 on page 241

MODEL 755 REPLACEMENT PARTS LIST

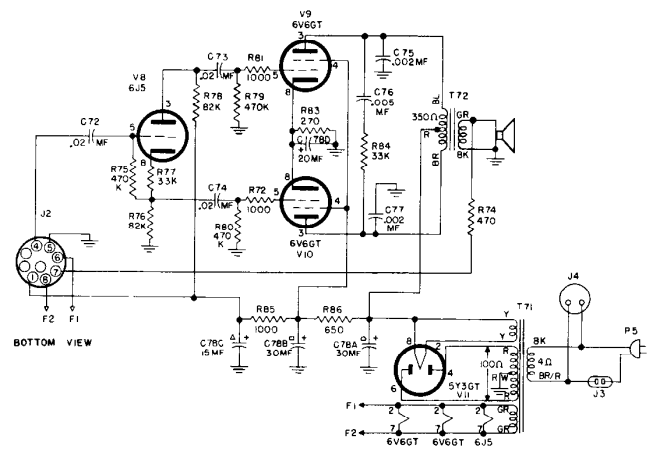
Cat. No.	Symbol	Description	Unit List Price	Cat. No.	Symbol	Description	Unit List Price
*RAA-002		ARM—Switch arm (shaft)	\$0.20	RLI-130	L1	CHOKE—FM antenna choke, 11 turns	\$0.15
*RAA-003		ARM—Switch arm (switch)	.20	RLL-039	L2	LOOP—BC antenna loop	1.45
RAB-145		BACK—Cabinet back, Model 755	.60	*RMM-151		GASKET—Phono changer rubber mounting gasket	.55
*RAC-004		COVER—Changer pan cover	8.50	*RMM-153		MOUNT—Phono drawer slide mount	2.75
RAD-057		BRACKET—FM osc. transformer mounting bracket	.02	*RMS-119		SPRING—Dial cord spring	.15
RAV-142		CABINET—Mahogany, Model 755	110.00	*RMS-221		SPRING—Phono mounting spring	.25
*RCE-039	C78	CAPACITOR—Filter, 30-30 mf. @ 350 v., 15 mf. @ 300 v., 20 mf. @ 25 v.	3.50	RMU-066		SHAFT—Band switch drive shaft	.75
RCN-040	C3	CAPACITOR—6 mmf., silver mica	.25	RMU-067		SHAFT—Tuning shaft	.25
RCN-048	C7	CAPACITOR—1.5 mmf., ceramic	.20	*RQB-001		BRUSH—Stylus brush	.10
RCT-047	C1	CAPACITOR—Tuning gang capacitor	7.50	RRC-152	R19;	CONTROL—On-Off switch, tone switch, volume control, 2 meg.	3.50
*RCW-026	C8	CAPACITOR—.0015 mfd., ceramic	.60	RRW-056	S2, 3 R85, 86	RESISTOR—Filter resistor, 650 ohms-10 w.; 1000 ohms-8 w.; w.w.	1.10
RCW-1058	C37	CAPACITOR—10 mmf., mica	.60	RSW-085	S1	SWITCH—Band switch	1.80
*RCW-3014	C5, 10, 11, 12, 19, 41, 53, 55, 56	CAPACITOR—.005 mfd., ceramic	.60	*RTD-010	T6	TRANSFORMER—FM discriminator transformer	4.95
*RCW-3029	C4	CAPACITOR—100 mmf., ceramic	.25	RTL-079	T2	TRANSFORMER—1st IF-AM transformer	2.75
RCW-3039		CAPACITOR—2.7 mmf., ceramic	.25	RTL-100	L10	TRANSFORMER—3rd IF-FM transformer	1.10
*RDC-032		DIAL CORD—25 yds. bulk	2.50	*RTL-111	T5	TRANSFORMER—2nd IF-AM transformer	2.10
RDE-098		ESCUTCHEON—Plastic dial escutcheon, includes dial window	4.25	*RTL-112	T1	TRANSFORMER—1st IF-FM transformer	1.80
*RDK-212		KNOB—Pull-out knob on phono changer cover	.45	*RTL-113	T3	TRANSFORMER—2nd IF-FM transformer	2.25
RDK-233		KNOB—Tuning knob	.20	RTO-094	T72	TRANSFORMER—Output transformer	3.25
RDK-234		KNOB—Band switch knob (arrow)	.35	RTP-306	T71	TRANSFORMER—Power transformer	15.00
RDK-235		KNOB—Volume control knob	.20	*RWL-004	P3, 5	CORD—Power cord and plug	.75
RDK-236		KNOB—Tone switch knob (dot)	.15	*S1212-D		SPEAKER—12-inch PM speaker	11.25
RDM-025		WIRE—Dial pointer guide wire	.45	*UCC-036	C32, 34	CAPACITOR—.002 mfd., 600 v., paper	.25
RDP-058		POINTER—Dial pointer	.45	*UCC-039	C20, 31	CAPACITOR—.005 mfd., 600 v., paper	.25
*RHC-017		CLIP—Mounting clip for BC oscillator transformer	.05	*UCC-040	C17	CAPACITOR—.01 mfd., 600 v., paper	.25
*RHC-034		CLIP—Mounting clip for IF transformers	.05	*UCC-041	C72, 73, 74	CAPACITOR—.02 mfd., 600 v., paper	.25
*RHC-038		CLIP—Mounting clip for BC RF transformer	.02	*UCC-045	C22, 36, 40	CAPACITOR—.05 mfd., 600 v., paper	.30
*RHG-010		GROMMET—Preamplifier socket mounting grommet	.05	*UCC-048	C33, 35	CAPACITOR—.1 mfd., 600 v., paper	.45
*RHG-015		GROMMET—Tuning gang mounting grommet	.05	*UCC-056	C75, 77	CAPACITOR—.002 mfd., 1000 v., paper	.30
*RHG-029		GROMMET—Speaker lead insulator grommet	.05	*UCC-059	C76	CAPACITOR—.005 mfd., 1000 v., paper	.30
*RHI-011		INSULATOR—Strain relief insulator for power cord	.15	*UCC-070	C28	CAPACITOR—.008 mfd., 600 v., paper	.30
*RHJ-006		SLEEVE—Tuning gang mounting sleeve	.05	*UCG-004	C6	CAPACITOR—10 mmf., silver mica	.25
*RHM-001		WASHER—"C" washer for tuning shaft	.05	*UCG-016	C21	CAPACITOR—33 mmf., silver mica	.25
RHN-015		NUT—Guide wire retaining nut	.02	*UCG-020	C14, 15, 38, 59	CAPACITOR—47 mmf., silver mica	.35
*RHS-058		SCREW—1/4 in. wood screw for bottom of escutcheon	.02	*UCG-1026	C26	CAPACITOR—82 mmf., silver mica	.25
*RHS-064		SCREW—1/4 in. wood screw for top of escutcheon	.02	*UCU-044	C30	CAPACITOR—470 mmf., mica	.30
*RHS-066		SCREW—Hex head screw for tuning gang mounting	.02	*UCU-536	C29	CAPACITOR—220 mmf., mica	.30
*RJC-001		CONNECTORS—Loop and speaker wire connectors	.05	*UCU-1034	C60	CAPACITOR—180 mmf., mica	.25
*RJJ-008	J3	RECEPTACLE—AC power receptacle	.35	*URD-013	R23	RESISTOR—33 ohms, 1/2 w., carbon	.13
*RJP-003	P3, 5	PLUG—AC power plug	.15	*URD-021	R29	RESISTOR—68 ohms, 1/2 w., carbon	.13
*RJP-004	P1	PLUG—Phono audio input plug	.10	*URD-025	R2, 6, 8, 22	RESISTOR—100 ohms, 1/2 w., carbon	.13
*RJS-003		SOCKET—Octal wafer socket, for V8, V9, V10, V11	.20	*URD-031	R12	RESISTOR—180 ohms, 1/2 w., carbon	.13
*RJS-010	J1	JACK—Phono audio input jack	.10	*URD-033	R1, 41	RESISTOR—220 ohms, 1/2 w., carbon	.13
*RJS-012		PLATE—Mounting plate for filter condenser	.10	*URD-041	R74	RESISTOR—470 ohms, 1/2 w., carbon	.13
*RJS-049	J4	RECEPTACLE—Phono motor power receptacle	.25	*URD-049	R72, 81	RESISTOR—1000 ohms, 1/2 w., carbon	.13
*RJS-094		SOCKET—7 pin socket, for V7	.20	*URD-053	R4, 30	RESISTOR—1500 ohms, 1/2 w., carbon	.13
*RJS-118		SOCKET—9 pin socket, for V6	.35	*URD-057	R5, 7, 9	RESISTOR—2200 ohms, 1/2 w., carbon	.13
*RJS-143		SOCKET—9 pin socket, for V2	.25	*URD-061	R77	RESISTOR—3.3K ohms, 1/2 w., carbon	.13
*RJS-145		SOCKET—7 pin socket, for V1, V3, V4, V5	.20	*URD-069	R39	RESISTOR—6.8K ohms, 1/2 w., carbon	.13
*RJS-147		SOCKET—Pilot light socket	.15	*URD-081	R28	RESISTOR—22K ohms, 1/2 w., carbon	.13
RJS-152	J2	SOCKET—Inter-chassis cable socket	.30	*URD-089	R14, 15	RESISTOR—47K ohms, 1/2 w., carbon	.13
RJP-031	P2	PLUG—Inter-chassis cable plug	.35	*URD-095	R76, 78	RESISTOR—82K ohms, 1/2 w., carbon	.13
RJS-154	T9	SHELL—Cable plug shell	.15	*URD-097	R11, 18, 31, 38	RESISTOR—100K ohms, 1/2 w., carbon	.13
*RLC-104	T9	TRANSFORMER—FM oscillator transformer	1.20	*URD-099	R16, 17	RESISTOR—120K ohms, 1/2 w., carbon	.13
*RLC-106	T8	TRANSFORMER—BC oscillator transformer	.90	*URD-105	R13, 21, 35	RESISTOR—220K ohms, 1/2 w., carbon	.13
*RLI-122	L8	CHOKE—Oscillator plate choke, molded	.25	*URD-113	R34, 43, 75, 79, 80	RESISTOR—470K ohms, 1/2 w., carbon	.13
*RLI-124	L3, 9	CHOKE—Audio filter choke, RF plate choke, 18 turns	.80	*URD-121	R36	RESISTOR—1 meg., 1/2 w., carbon	.13
RLI-128	L4	CHOKE—FM mixer grid choke, 6 turns	.15	*URD-129	R10	RESISTOR—2.2 meg., 1/2 w., carbon	.13
RLI-129	T7	TRANSFORMER—BC RF transformer	1.45	*URD-133	R37, 40	RESISTOR—3.3 meg., 1/2 w., carbon	.13
				*URD-141	R20	RESISTOR—6.8 meg., 1/2 w., carbon	.13
				*URE-081	R26	RESISTOR—21K ohms, 1 w., carbon	.17
				*URE-085	R84	RESISTOR—33K ohms, 1 w., carbon	.17
				*URF-035	R83	RESISTOR—270 ohms, 2 w., carbon	.17
				*URF-057	R3	RESISTOR—2200 ohms, 2 w., carbon	.17

PRICES ARE SUGGESTED LIST PRICES AND SUBJECT TO CHANGE WITHOUT NOTICE.
*Parts used on previous models.



***PRODUCTION CHANGES:**
 C59 may be 82 mmf. on some chassis.
 C60 may be 220 mmf. on some chassis.

1 Some chassis may include an 80-150 mmf. mica capacitor from grid of phono pre-amp to ground to reduce phono background noise when band switch is on FM.



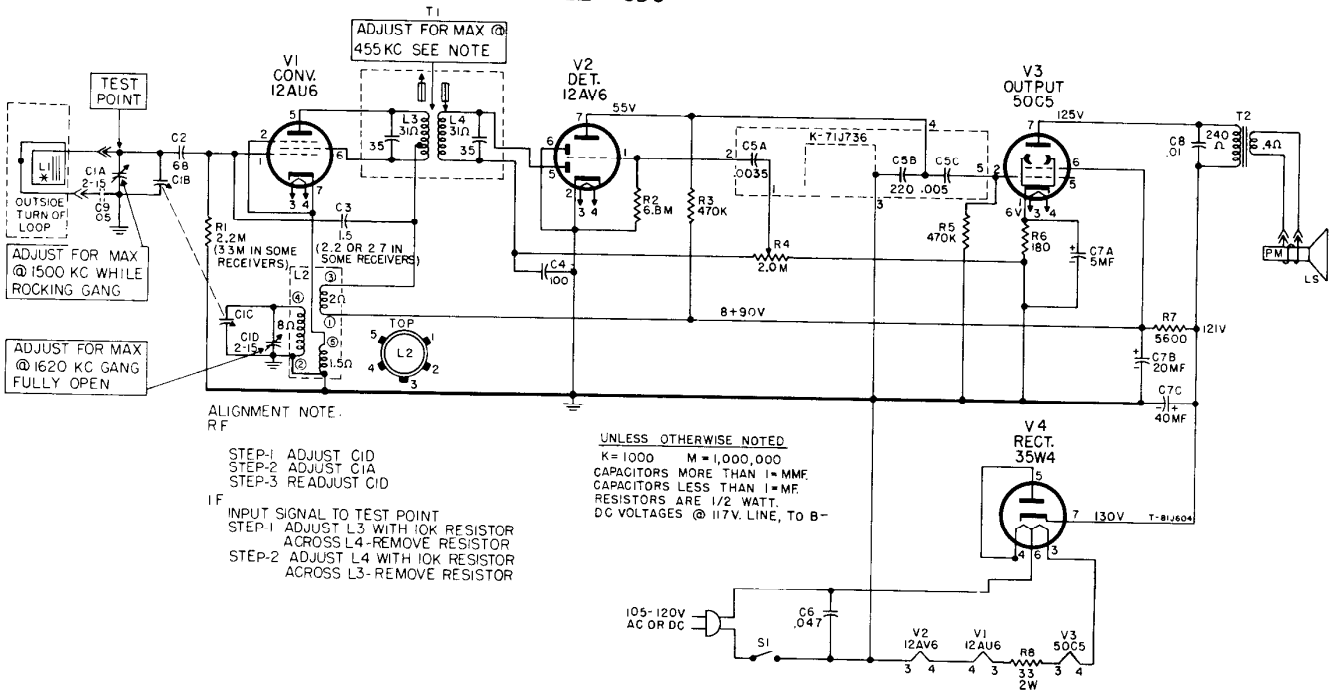
MODEL 757 REPLACEMENT PARTS LIST

Cat. No.	Symbol	Description	Unit Price	Cat. No.	Symbol	Description	Unit Price
CAPACITORS				MISCELLANEOUS ELECTRICAL (Cont'd)			
Values are ±10% unless noted							
*RCE-039	C78	Filter, 30-30 mfd @ 300 v., 20 mfd. @ 25 v. electrolytic	\$3.50	*RLC-106	T8	TRANSFORMER—BC oscillator transformer	\$0.90
*RCN-040	C3	6 mmf., silver mica	.25	*RLC-111	T9	TRANSFORMER—FM oscillator transformer	1.20
*RCN-048	C7	1.5 mmf., ceramic	.20	*RLI-122	L8	CHOKE—Oscillator plate choke, red, molded, 2.2 uh.	.25
RCT-052	C1	Tuning gang capacitor (insulated shaft)	8.00	*RLI-124	L3, 9	CHOKE—Audio filter choke, RF plate choke, 18 turns	.80
*RCW-026	C8	0015 mfd., ceramic	.60	*RLI-128	L4	CHOKE—FM RF grid choke, 6 turns	.15
RCW-1058	C37	10 mmf., ceramic	.60	*RLI-129	T7	TRANSFORMER—BC RF transformer	.90
*RCW-3014	C5, 10, 11, 12, 19, 41, 55, 56	.005 mfd., ceramic	.60	RLL-047	L2	LOOP—BC Antenna loop	1.40
*RCW-3029	C4	100 mmf., ceramic	.25	*RRC-152	R19, S2, S3	CONTROL—On-off switch, tone switch, and volume control, 2 meg.	3.50
*RCW-3039	C58	2.7 mmf., ceramic	.25	RSW-087	S1	SWITCH—Band switch	2.40
*UCC-036	C32, 34	.002 mfd., 600 v., paper	.25	*RTD-010	T6, C52, C53, C54	TRANSFORMER—FM discriminator transformer, 10.7 mc, capacitors molded in base	4.95
*UCC-039	C20, 31	.005 mfd., 600 v., paper	.25	*RTL-079	T2, C44, C45	TRANSFORMER—BC 1st IF transformer, 455 kc, capacitors molded in base	2.75
*UCC-040	C17	.01 mfd., 600 v., paper	.25	*RTL-111	T5, C24, C27, C50, C51	TRANSFORMER—BC 2nd IF transformer, 455 kc, capacitors molded in base	2.10
*UCC-041	C72, 73, 74	.02 mfd., 600 v., paper	.25	*RTL-112	T1, C42, C43	TRANSFORMER—FM 1st IF transformer, 10.7 mc, capacitors molded in base	1.80
*UCC-045	C22, 36, 40	.05 mfd., 600 v., paper	.30	*RTL-113	T3, C46, C47	TRANSFORMER—FM 2nd IF transformer, 10.7 mc, capacitors molded in base	2.25
*UCC-048	C33, 35	1 mfd., 600 v., paper	.45	*RTL-124	L10	CHOKE—3rd IF FM choke	.95
*UCC-056	C75, 77	.002 mfd., 1000 v., paper	.30	*RTO-094	T72	TRANSFORMER—Output transformer	3.25
*UCC-059	C76	.005 mfd., 1000 v., paper	.30	*RTP-306	T71	TRANSFORMER—Power transformer	15.00
*UCC-070	C28	.008 mfd., 600 v., paper	.30	*RWL-009	P3, 5	CORD—AC line cord and plug	.70
*UCG-044	C6	10 mmf., silver mica	.25	*S-1212D-7		SPEAKER—12 inch FM speaker	12.95
*UCG-016	C21	33 mmf., silver mica	.25				
*UCG-020	C14, 15, 38, 59	47 mmf., silver mica	.35				
*UCG-1026	C26	82 mmf., silver mica	.25				
*UCU-044	C30	470 mmf., 500 v., mica	.30				
*UCU-536	C29	220 mmf., 500 v., mica	.30				
*UCU-1034	C60	180 mmf., mica	.25				
RESISTORS				MISCELLANEOUS MECHANICAL			
*RRW-056	R85, 86	Filter resistor, 650 ohms, 10 w., 1000 ohms, 8 w., w. w.	\$1.10	*RAA-002		ARM—Switch arm (for shaft)	\$0.20
		½ watt, carbon ±10%		*RAA-003		ARM—Switch arm (for switch)	.15
				*RAD-057		BRACKET—FM oscillator transformer mounting bracket	.02
*URD-013	R23	33 ohms	\$0.13	*RDC-032		CORD—Nylon dial cord, 25 yds. bulk	2.50
*URD-017	R1	47 ohms	.13	*RDM-025		WIRE—Dial pointer guide wire	.15
*URD-021	R29	68 ohms	.13	*RDP-058		POINTER—Dial pointer and slide assembly	.45
*URD-025	R2, 6, 8, 22	100 ohms	.13	RDS-105		SCALE—Dial scale printed on chassis cover plate	1.20
*URD-031	R12	180K ohms	.13	*RHC-017		CLIP—Mounting clip for BC oscillator transformer	.20
*URD-033	R41	220 ohms	.13	*RHC-034		CLIP—Mounting clip for I F transformers	.05
*URD-041	R74	470 ohms	.13	*RHC-038		CLIP—Mounting clip for BC RF trans.	.02
*URD-049	R72, 81	1000 ohms	.13	*RHG-010		GROMMET—Preamp. socket mounting grommet	.05
*URD-053	R5, 30	1500 ohms	.13	*RHG-015		GROMMET—Tuning gang mounting grommet	.05
*URD-057	R4, 7, 9	2200 ohms	.13	*RHG-029		GROMMET—Speaker lead insulating grommet	.05
*URD-061	R77	3.3K ohms	.13	*RHI-011		INSULATOR—Strain relief insulator for power chassis power cord, 52" diameter	.15
*URD-069	R39	6.8K ohms	.13	*RHI-017		INSULATOR—Strain relief insulator for tuner chassis power cord, 47" diameter	.15
*URD-073	R44	10K ohms	.13	*RHJ-006		SLEEVE—Tuning gang mounting sleeve	.05
*URD-081	R28	22K ohms	.13	*RHM-001		WASHER—"C" washer for tuning shaft	.05
*URD-089	R14, 15	47K ohms	.13	*RHN-015		NUT—Dial guide wire retaining nut	.02
*URD-095	R76, 78	82K ohms	.13	*RHS-066		SCREW—Hex head screw for tuning gang mounting	.02
*URD-097	R11, 18	100K ohms	.13	*RJS-012		PLATE—Mounting plate for filter capacitor	.10
*URD-099	R16, 17	120K ohms	.13	*RMS-119		SPRING—Dial cord tension spring	.15
*URD-105	R13, 21, 35	220K ohms	.13	*RMS-224		SPRING—Record changer pan slide spring	.25
*URD-113	R34, 43, 75, 79, 80	470K ohms	.13	*RMU-066		SHAFT—Band switch drive shaft	.75
*URD-121	R36	1 meg.	.13	*RMU-067		SHAFT—Tuning shaft	.25
*URD-129	R10	2.2 meg.	.13	*RQB-001		BRUSH—Stylus brush	.10
*URD-133	R37, 40	3.3 meg.	.13				
*URD-141	R20	6.8 meg.	.13				
*URE-081	R26	22K ohms 1 watt, carbon, ±10%	.17				
*URE-085	R84	33K ohms 1 watt, carbon, ±10%	.17				
*URF-035	R83	270 ohms 2 watt, carbon, ±10%	.25				
*URF-057	R3	2200 ohms 1 watt, carbon, ±10%	.25				
MISCELLANEOUS ELECTRICAL				CABINET PARTS			
*RJC-001		CONNECTOR—Loop wire connector	\$0.05	RAB-166		BACK—Cabinet back for Model 757	\$2.40
*RJC-019		CONNECTOR—Speaker wire connector	.02	RAC-098		PAN—Record changer base pan	10.50
*RJJ-008	J3	RECEPTACLE—AC power outlet receptacle	.35	RAV-168		CABINET—Mahogany cabinet for Model 757	105.00
*RJP-003	P4	PLUG—AC plug for phono motor	.15	*RDE-098		ESCUTCHEON—Plastic dial escutcheon, includes dial window	4.25
*RJP-004	P1	PLUG—Phono audio input plug	10	*RDK-212		KNOB—Changer pan pull-out knob	.45
*RJP-031	P2	PLUG—Inter-chassis cable plug	.20	*RDK-233		KNOB—Tuning knob	.20
*RJS-003		SOCKET—Octal wafer socket, for V8, V9, V10, V11	.25	*RDK-234		KNOB—Band switch knob, with arrow	.35
*RJS-049	J4	RECEPTACLE—Phono motor power receptacle	.25	*RDK-235		KNOB—Volume control knob	.35
*RJS-092		SOCKET—7 pin impregnated wafer socket	.20	*RDK-236		KNOB—Tone switch knob, with dot	.20
*RJS-101		JACK—Phono jack	.95	*RHS-057		SCREW—Wood screw for cabinet back	.02
*RJS-118		SOCKET—9 pin socket for V6	.35	*RHS-058		SCREW—7 16 inch brass plated wood screw for top of escutcheon	.02
*RJS-143		SOCKET—9 pin socket for V2	.25	*RHS-064		SCREW—¾ inch brass plated wood screw for bottom of escutcheon	.02
*RJS-145		SOCKET—7 pin socket for V1, V3, V4, V5	.30	*RHS-077		SCREW—Wood screw for mounting loop	.02
*RJS-147		SOCKET—Pilot light socket	.15	*RMM-153		SLIDE—Phono drawer slide	2.75
*RJS-152	J2	SOCKET—Inter-chassis cable socket	.30				
*RJS-154		SHELL—Cable plug shell	.15				

PRICES ARE SUGGESTED LIST PRICES AND SUBJECT TO CHANGE WITHOUT NOTICE.

*Parts used on previous models
†Special discount applies

MODEL 850

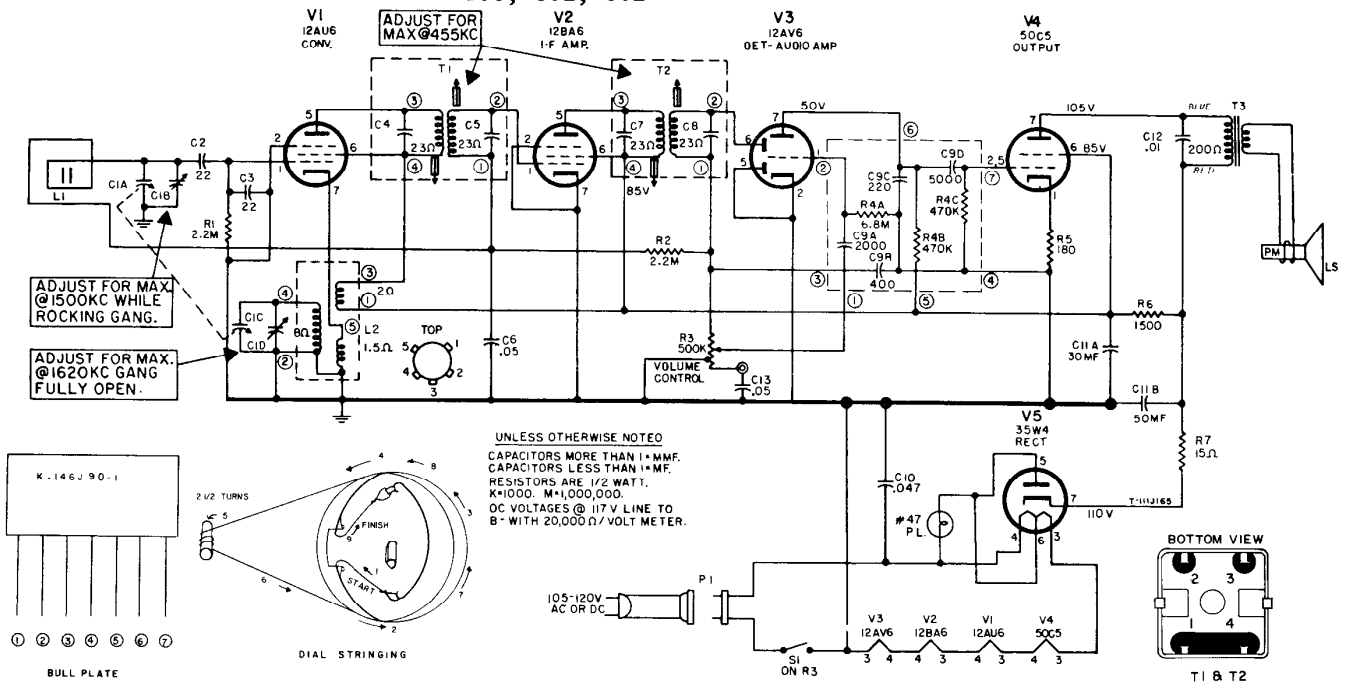


REPLACEMENT PARTS LIST - 850

CAT. NO.	SYMBOL	DESCRIPTION	PRICE	CAT. NO.	SYMBOL	DESCRIPTION	PRICE
CAPACITORS				COILS AND TRANSFORMERS			
RCE-216	C7A, B, C	5mf., 25V, 20mf., 40mf., 150V, electrolytic	\$2.10	RLC-136	L2	COIL—Oscillator	\$1.00
RCN-048	C3	1.5mmf., 20%, 500V, cer.	.20	RTL-184	T1	TRANSFORMER—I-F	1.50
RCN-053	C6	.047mf., +40-10%, 600V, molded	.35	RTO-176	T2	TRANSFORMER—Output	2.05
RCT-097	C1A, B, C, D	Tuning—Two-gang	3.10	MISCELLANEOUS			
RCW-3036	C5A, B, C	Bullplate—.0035mf., 200mf., .005mf.	.80	RJJ-010		A-C INTERLOCK—Receptacle for power cord	.20
RCW-3079	C4	100 mmf., 20%, 500V, ceramic	.25	RJS-221		SOCKET—Tube socket, 7-pin for printed circuit	.25
RCW-3186	C8	.01mf., +40-10%, 400V	.30	RMS-356		CLIP—Captive, for RDK-585	.05
UCG-1024	C2	68mmf., 10%, 500V	.35	ROP-035		SPEAKER—4-inch, PM	3.25
	C9	.05mf., +40-10%, 200V, paper		RWL-027		POWER CORD—6-ft. brown	1.20
POTENTIOMETER				CABINET AND APPEARANCE ITEMS			
n-RRC-376	R4, S1	VOLUME CONTROL AND SWITCH—2 megohms	1.25	RAB-271		LOOP AND BACK ASSEMBLY	1.50
RESISTORS (10%, CARBON)				RAU-449		CABINET—Plastic, dark brown	4.50
	R1	2.2 megohms, ½ w. (3.3 megohms some receivers)		RDK-425		KNOB—For volume control	.25
	R2	6.8 megohms, ½ w.		n-RDK-585		KNOB—For tuning control, clear	1.00
	R3, 5	470K, ½ w.		n-RYN-043		DISK—Decorative, mounts behind RDK-585	.50
	R6	180 ohms, ½ w.		"n"—DENOTES PARTS NOT PREVIOUSLY CATALOGED			
	R7	5600 ohms, ½ w.					
	R8	33 ohms, 2 w.					

PRICES ARE SUGGESTED LIST PRICES AND SUBJECT TO CHANGE WITHOUT NOTICE

860, 861, 862



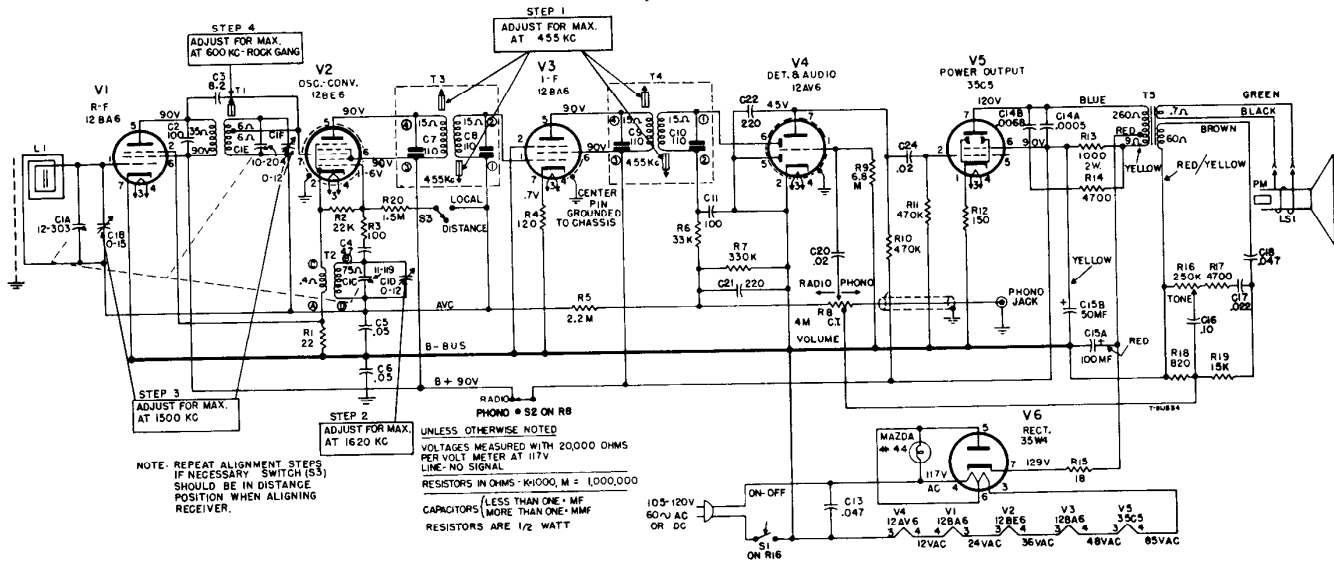
REPLACEMENT PARTS LIST—Models 860, 861 and 862

CAT. NO.	SYMBOL	DESCRIPTION	PRICE	CAT. NO.	DESCRIPTION	PRICE
CAPACITORS				MISCELLANEOUS (Cont'd)		
RCC-078	C6, C13	.05 mf., +40 -20%, @ 400 V	\$0.40	RHC-060	PLASTIC CLAMP, ANTENNA	\$0.15
RCE-207	C11A, B	30 50 mf., @ 150 V	1.90	n-RHC-120	CLIP, TUNING SHAFT	.04
RCN-109	C10	.047 mf., =20%, @ 600 V, 150° C.	1.40	n-RHE-022	SPACER, GANG PULLEY	.15
n-RCT-101	C1A, B, C, D	TUNING CAPACITOR—Two gang..	3.40	RHS-110	TUBE SHIELD	.15
RCW-3186	C12	.01 mf., +150 -10%, 450 V	.30	n-RJS-232	TUBE SOCKET (W/CENTER SHIELD)	.25
RCW-3207	C9A, B, C, D	BULLPLATE	.30	RJS-237	TUBE SOCKET (W/O CENTER SHIELD)	.15
	C2, C3	.22 mmf., =20%, 500 V.		n-RJS-238	PILOT LAMP SOCKET	.45
POTENTIOMETER				n-RMB-037	BUSHING (INSULATOR TUNING SHAFT)	.04
n-RRC-385	R3, S1	VOLUME CONTROL -500K and PUSH PULL SWITCH	1.90	RMS-130	DIAL CORD SPRING	.15
RESISTORS				RMS-374	GROUND STRAP (TUBE SOCKET)	.02
	R1	2.2 megohms, =20%, 1/2 w		n-RMW-089	PULLEY	.15
	R2	2.2 megohms, =20%, 1/2 w		n-RMX-347	TUNING DRIVE SHAFT AND BUSHING AS- SEMBLY	.70
	R4A, B, C	BULLPLATE—For "C" Nos. see above		CABINET AND APPEARANCE ITEMS		
	R5	180 ohms, =10%, 1/2 w		n-RAB-320	CABINET BACK (Mahogany)—Model 860..	5.35
	R6	1500 ohms, =20%, 2 w		n-RAB-321	CABINET BACK (Red)—Model 861	5.35
	R7	15 ohms, =20%, 1/2 w		n-RAB-322	CABINET BACK (Turquoise)—Model 862	5.35
COILS AND TRANSFORMERS				n-RAC-201	CABINET FRONT (Antique White) NAMEPLATE STRIP	4.10
RLC-135	L2	OSCILLATOR COIL	1.00	n-RAL-024	BEZEL (Gold)	.85
RLL-064	L1	ANTENNA, IRON CORE	1.00	n-RDE-173	ESCUTCHEON TRIM STRIP (RICH LO BRASS)	2.30
RTL-183	T1, T2	I-F TRANSFORMER	1.65	n-RDE-174	TRIM STRIP (RICH LO BRASS)	.55
RTO-176	T3	OUTPUT TRANSFORMER	2.05	RDK-425	KNOB, TUNING AND VOLUME CONTROL— (Clear and Gold)	.35
MISCELLANEOUS				n-RDK-597	DIAL, TUNING (Calibrated)	1.95
RDC-032		DIAL CORD—25 yards	2.50	RHC-095	CLIP, TUBULAR (Spkr mounting)	.05
				n-RHC-118	CLIP, PILOT LAMP	.05
				n-RHC-119	CLIP, CABINET	.04
				RHW-014	WASHER (Flat)	.02
				RJJ-010	INTERLOCK	.20
				RJS-182	PHONO JACK	.15
				RMS-356	CLIP, KNOB	.05
				n-ROP-038	SPEAKER—5 1/2 inch, P.M.	5.55
				RWL-019	POWER CORD—6 ft., brown	1.65
				n-RYN-046	NAMEPLATE STRIP	.70

ITEMS NOT LISTED BY CATALOG NUMBER ARE COMMON ITEMS OBTAINABLE FROM ANY RADIO PARTS JOBBER
PRICES ARE SUGGESTED LIST PRICES AND ARE SUBJECT TO CHANGE WITHOUT NOTICE

"n" DENOTES PARTS NOT PREVIOUSLY CATALOGED

MODELS 870, 871



NOTE: REPEAT ALIGNMENT STEPS IF NECESSARY. SWITCH (S3) SHOULD BE IN DISTANCE POSITION WHEN ALIGNING RECEIVER.

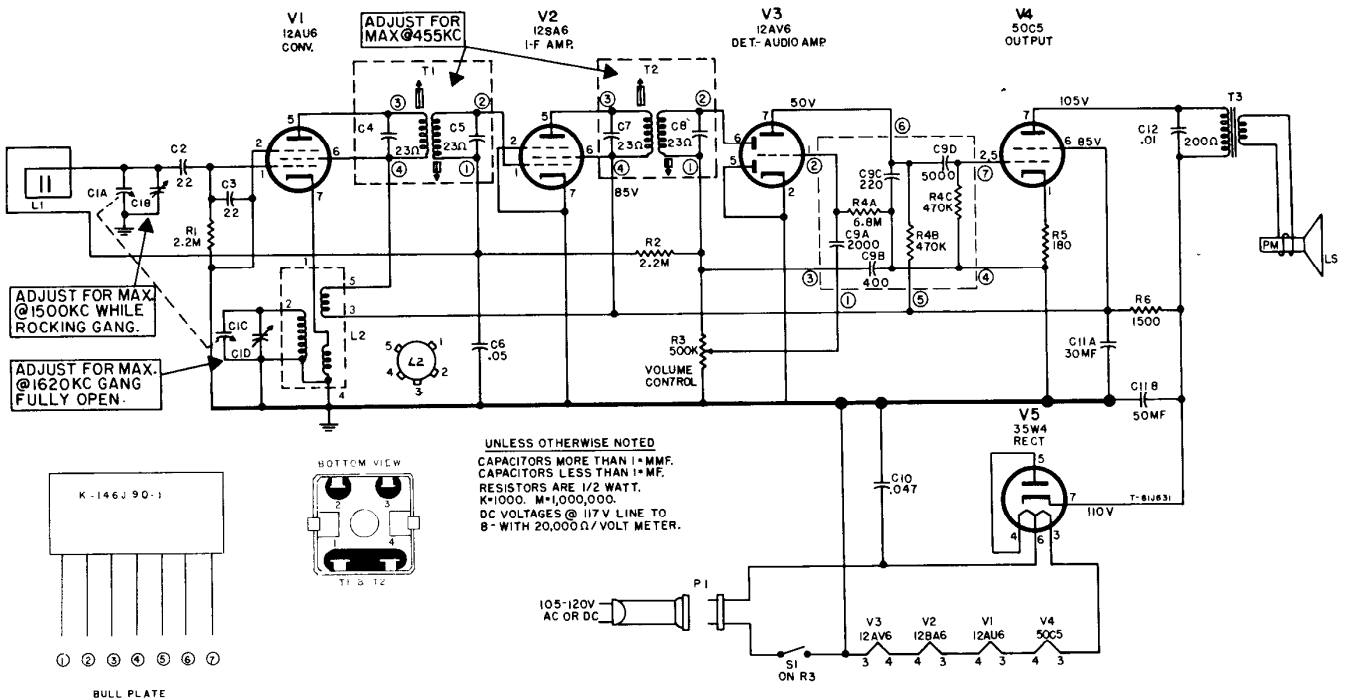
UNLESS OTHERWISE NOTED VOLTAGES MEASURED WITH 20,000 OHMS PER VOLT METER AT 117V LINE-NO SIGNAL
RESISTORS IN OHMS - K=1000, M = 1,000,000
CAPACITORS (LESS THAN ONE-UF MORE THAN ONE-MMF)
RESISTORS ARE 1/2 WATT

105-120V 60V AC OR DC ON-OFF
ON R16
C13 .047
V4 12AV6 12VAC
V1 12BA6 12VAC
V2 12BE6 24VAC
V3 12BA6 36VAC
V5 35C5 48VAC
V6 RECT. 35W4 85VAC

PARTS LIST—MODELS 870, 871

CAT. NO.	SYMBOL	DESCRIPTION	PRICE	CAT. NO.	DESCRIPTION	PRICE															
RESISTORS (10%, ½ W. CARBON) (Cont'd)																					
	R3	100 ohms																			
	R4	120 ohms																			
	R5	2.2 megohms																			
	R6	33 K.																			
	R7	330 K.																			
	R9	6.8 megohms																			
	R10, 11	470 K.																			
	R12	150 ohms																			
	R13	1000 ohms, 2W.																			
	R14, 17	4700 ohms																			
	R15	18 ohms																			
	R18	820 ohms																			
	R19	15 K.																			
	R20	1.5 megohms																			
COILS AND TRANSFORMERS																					
RLB-034	T1	COIL—R-F coil	\$1.35																		
RLC-126	T2	COIL—Oscillator coil	.90																		
RLL-060	L1	LOOP—Antenna, wound on ferrite rod 7 x ½ in.	1.20																		
RTL-143	T3, 4	TRANSFORMER—I-F	1.80																		
RTO-145	T5	TRANSFORMER—Audio output	3.40																		
MISCELLANEOUS ELECTRICAL																					
RJC-004		CONNECTOR—Small female, on audio output leads	.02																		
RJC-027		CONTACT—Dip solder contact includes tube pin clip for tube recep.	.03																		
RJC-028		TERMINAL—Dip solder terminal used on RLC-126	.02																		
RJC-030		I-F CLIP—Dip solder contact & clip for i-f trans., spring brass, connects pin 5—12BE6, 1—12BA6 & 5—12BA6	.02																		
RJC-031		I-F CLIP—Dip solder contact & clip for i-f trans., spring brass connects pins 5—12BE6, 1—12BA6, 5—12BA6	.02																		
RJS-182		PHONO JACK—Phono input socket, .687 mounting center	.15																		
RMS-296		COMPRESSION RING																			
RSS-009		SWITCH—Local-distance switch, S3	.30																		
RWL-009		CORD—Power cord & plug, brown, 870	.70																		
RWL-026		CORD—Power cord & plug, white, 871	.75																		
RWX-055		PILOT LAMP SOCKET ASSEMBLY	.70																		
S-625D7		SPEAKER—6½ inch PM: 3.2 ohm voice coil	6.35																		
CAPACITORS																					
RCE-166	C15A, B	100-50 mf., 150 V, electro.	\$2.60																		
RCN-053	C13	.047 mf., ±20%, 600 V, molded	.35																		
RCT-082	C1	TUNING—Three gang with drum & dial beam bracket	5.25																		
RCW-3075	C4	47 mmf., ±20%, ceramic	.25																		
RCW-3079	C2, 11	100 mmf., ±20%, ceramic	.25																		
RCW-3104	C14A, B	.0005 mf., .0068 mf., ceramic	.25																		
RCW-3195	C21, 22	220 mmf., disk ceramic	.25																		
RCW-3214	C3	8.2 mmf., ceramic	.20																		
<p>The following capacitors are common parts, readily obtainable from any Radio Parts Jobber, and are therefore not listed by catalog number.</p> <table border="1" style="width: 100%; border-collapse: collapse;"> <tr> <td>C5, 6</td> <td>.05 mf., 600 V, paper</td> <td></td> </tr> <tr> <td>C16</td> <td>.1 mf., ±20%, 200 V, paper</td> <td></td> </tr> <tr> <td>C17</td> <td>.022 mf., ±20%, 200 V, paper</td> <td></td> </tr> <tr> <td>C18</td> <td>.047 mf., ±20%, 200 V, paper</td> <td></td> </tr> <tr> <td>C20, 24</td> <td>.02 mf., +40 -10%, 400 V, paper</td> <td></td> </tr> </table>							C5, 6	.05 mf., 600 V, paper		C16	.1 mf., ±20%, 200 V, paper		C17	.022 mf., ±20%, 200 V, paper		C18	.047 mf., ±20%, 200 V, paper		C20, 24	.02 mf., +40 -10%, 400 V, paper	
C5, 6	.05 mf., 600 V, paper																				
C16	.1 mf., ±20%, 200 V, paper																				
C17	.022 mf., ±20%, 200 V, paper																				
C18	.047 mf., ±20%, 200 V, paper																				
C20, 24	.02 mf., +40 -10%, 400 V, paper																				
				MISCELLANEOUS MECHANICAL																	
	RDC-032	DIAL CORD—Drive cord, .28 in. dia. Newton Line Co. NF-28 or equiv. 25 yards	\$2.50																		
	RHC-024	CLIP—¼ in. electro. mtg. clip	.10																		
	RHC-080	CLIP—Sub-chassis	.05																		
	RHE-014	EYELET—Tube receptacle wafer mtg.	.01																		
	RHE-016	EYELET—I-F trans. wafer mtg.	.01																		
	RHG-018	GROMMET—For mtg. tuning gang	.05																		
	RHI-017	STRAIN RELIEF—Two-piece strain relief for power cord	.15																		
	RHJ-005	SPACER—Spacer bushing & sleeve for mtg. tuning cap. .230 O.D. x 168 I.D.	.02																		
	RHS-041	SCREW—No. 6½ in. screw for mounting speaker	.02																		
	RHS-108	SHIELD—Pilot light shield	.05																		
	RHS-109	SPACER—Black Textolite, used in chassis tube holes	.20																		
	RHS-110	SHIELD—Tube shield, metal, 1¾ in. long for 12AV6 & 12BE6 tubes	.15																		
	RHS-118	EYELET PIN—Eyelet and soldering point used to mount 1st i-f socket wafer	.05																		
	RHS-126	LOOP SHIELD—Electrostatic shield over ferrite antenna rod RLL-060	.50																		
	RII-081	WAFER—Part of i-f trans. recep. 1¼ x ½ in.	.05																		
	RII-082	WAFER—Part of tube receptacle 1½ in. diameter	.05																		
	RII-084	COVER—For antenna loop	.60																		
	RII-090	HEAT SHIELD—1 in. x 1 in. asbestos base phenolic shield between chassis tube hold spacer, RHS-109 & Textolite sub-chassis used at 35W4 and 35C5 tubes	.05																		
	RII-091	BOARD—Sub chassis, bare	.60																		
	RMS-118	SPRING—Dial cord tension spring	.10																		
	RMW-070	PULLEY—½ in. idler pulley, fits on ½ in. volume control shaft	.05																		
	RMX-322	SHAFT—Drive shaft and bushing assembly	.45																		
CABINET AND APPEARANCE ITEMS																					
	RAB-241	CABINET BACK—Used with RHS-126	.30																		
	n-RAG-099	GRILLE—Antique white, Model 870																			
	n-RAG-100	GRILLE—Tan, Model 871																			
	n-RAL-023	BEZEL—Gold, Models 870, 871																			
	RAU-393	CABINET—Ivory, plastic, Model 871	8.00																		
	RAU-454	CABINET—Mottled mahogany, plastic, Model 870	8.50																		
	n-RDG-015	DIAL BACKPLATE ASS'Y—White & Brown																			
	RDK-425	KNOB—Tuning & Volume, Clear & Gold	.35																		
	RDK-507	KNOB—Tone, Clear and Gold with White dot	.35																		
	n-RDP-089	DIAL POINTER ASSEMBLY																			
	n-RDW-110	WINDOW—Dial window & scale, 870																			
	n-RDW-111	WINDOW—Dial window & scale, 871																			
	RYN-019	MEDALLION—Musaphonic emblem	.35																		
POTENTIOMETERS																					
	RRC-331	R8, S2	VOLUME CONTROL & RADIO PHONO SW, 4 meg.	1.55																	
	RRC-332	R16, S1	TONE CONTROL & ON-OFF SWITCH, 250 K.	1.70																	
<p>All resistors used in this receiver are common ½ watt, carbon types, which are readily obtainable from any Radio Parts Jobber and are therefore not listed by catalog number.</p>																					
RESISTORS (10%, ½ W. CARBON)																					
	R1	22 ohms																			
	R2	22 K.																			

875, 876, 877

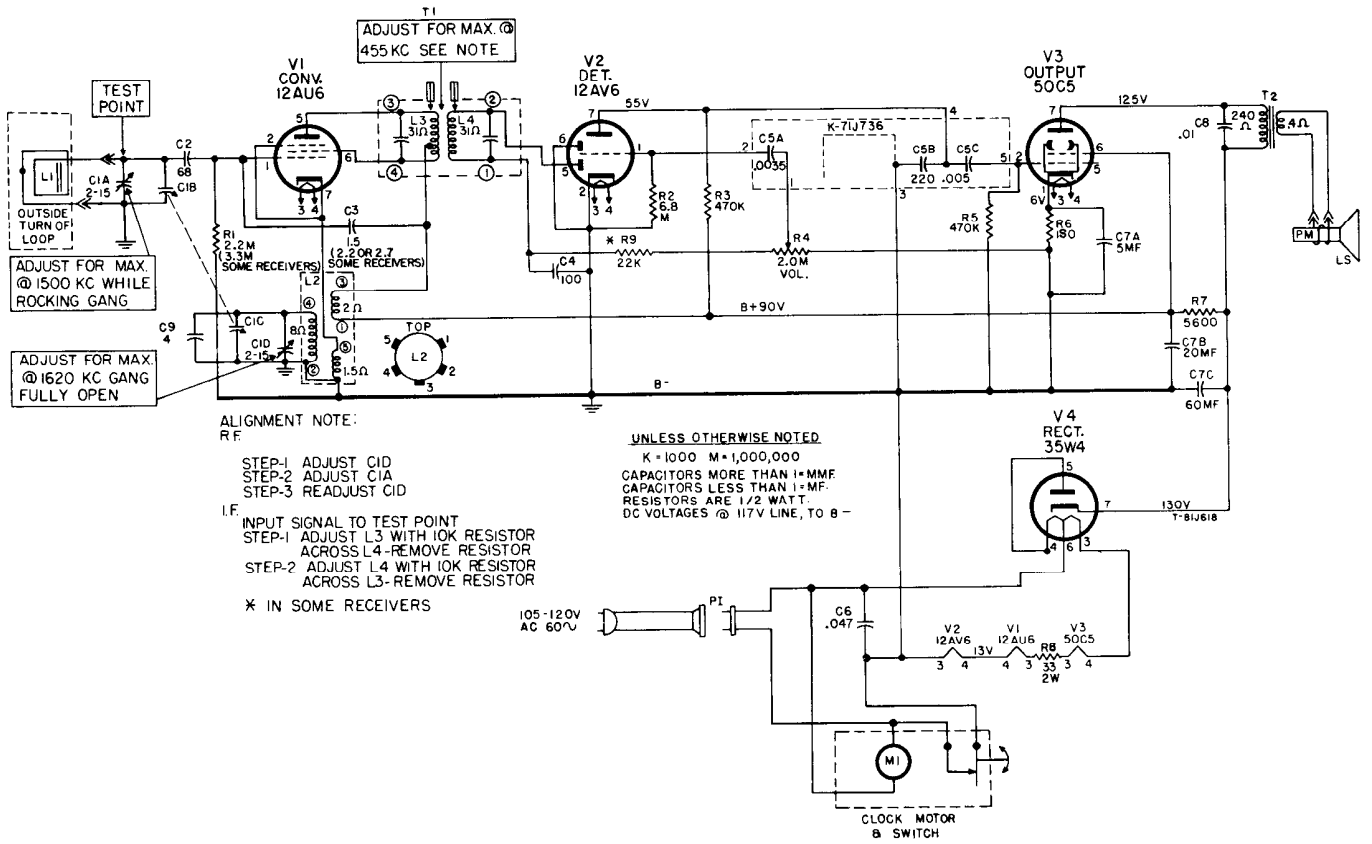


- ①
- ②
- ③
- ④
- ⑤
- ⑥
- ⑦

REPLACEMENT PARTS LIST—MODELS 875, 876 & 877

CAT. NO.	SYMBOL	DESCRIPTION	PRICE	CAT. NO.	DESCRIPTION	PRICE
CAPACITORS				MISCELLANEOUS ITEMS		
RCC-086	C6	.05 mfd., @ 200 V, paper.....	\$0.30	RHC-060	CLAMP—Plastic clamp (antenna mtg.)....	\$0.15
RCE-207	C11A, B	30 mfd., 50 mfd., @ 150 V....	1.90	RHC-095	CLIP—For speaker mounting.....	.05
RCN-053	C10	.047 mfd., @ 600 V, molded...	.35	RHS-110	SHIELD—Tube shield for V3.....	.15
RCT-093	C1A, B, C, D	Tuning gang.....	3.40	RHS-161	SHIELD—Flat, mounted on V2 socket center pin.....	.10
RCW-3186	C12	.01 mfd., @ 450 V, ceramic.....	.30	n-RJJ-014	RECEPTACLE—Power cord receptable....	.15
RCW-3196	C2, 3	22 mmf., @ 500 V, ceramic.....	.20	RJS-221	SOCKET—Tube socket.....	.25
RCW-3207	C9A, B, C, D	Coupling network.....	1.00	RJS-222	SOCKET—Tube socket with ground clip for V3.....	.25
POTENTIOMETER				RMS-356	CLIP—For tuning knob.....	.05
n-RRC-374	R3	VOLUME CONTROL AND SWITCH—500 K ohms.....	1.25	RMS-374	CLIP—Ground clip for molded socket.....	.02
<p>All resistors are common, 10%, carbon types, which are obtainable through any Radio Parts Jobber and are therefore not listed by catalog number.</p>						
	R1, 2	2.2 megohms, 1/2 watt		ROP-033	LOUDSPEAKER—4-in., P.M.....	4.60
	R5	180 ohms, 1/2 watt		n-RWL-037	POWER CORD—Brown, 6 feet long.....	1.00
	R6	1500 ohms, 2 watts		CABINET & APPEARANCE ITEMS		
COILS & TRANSFORMERS				n-RAB-313	CABINET BACK.....	.20
RLC-135	L2	COIL—Oscillator coil.....	1.00	n-RAU-469	CABINET—Mahogany, Model 875.....	6.40
RLL-064	L1	COIL—Iron core loop antenna.....	1.00	n-RAU-470	CABINET—Antique White, Model 876.....	6.40
RTL-183	T1, 2	TRANSFORMER—I-F.....	1.65	n-RAU-471	CABINET—Pink, Model 877.....	6.40
RTO-176	T3	TRANSFORMER—Output..	2.05	n-RDG-016	DIAL PLATE.....	.80
				n-RDK-588	KNOB—Tuning knob, clear with insert.....	1.30
				RDK-425	KNOB—Volume, clear with insert.....	.35

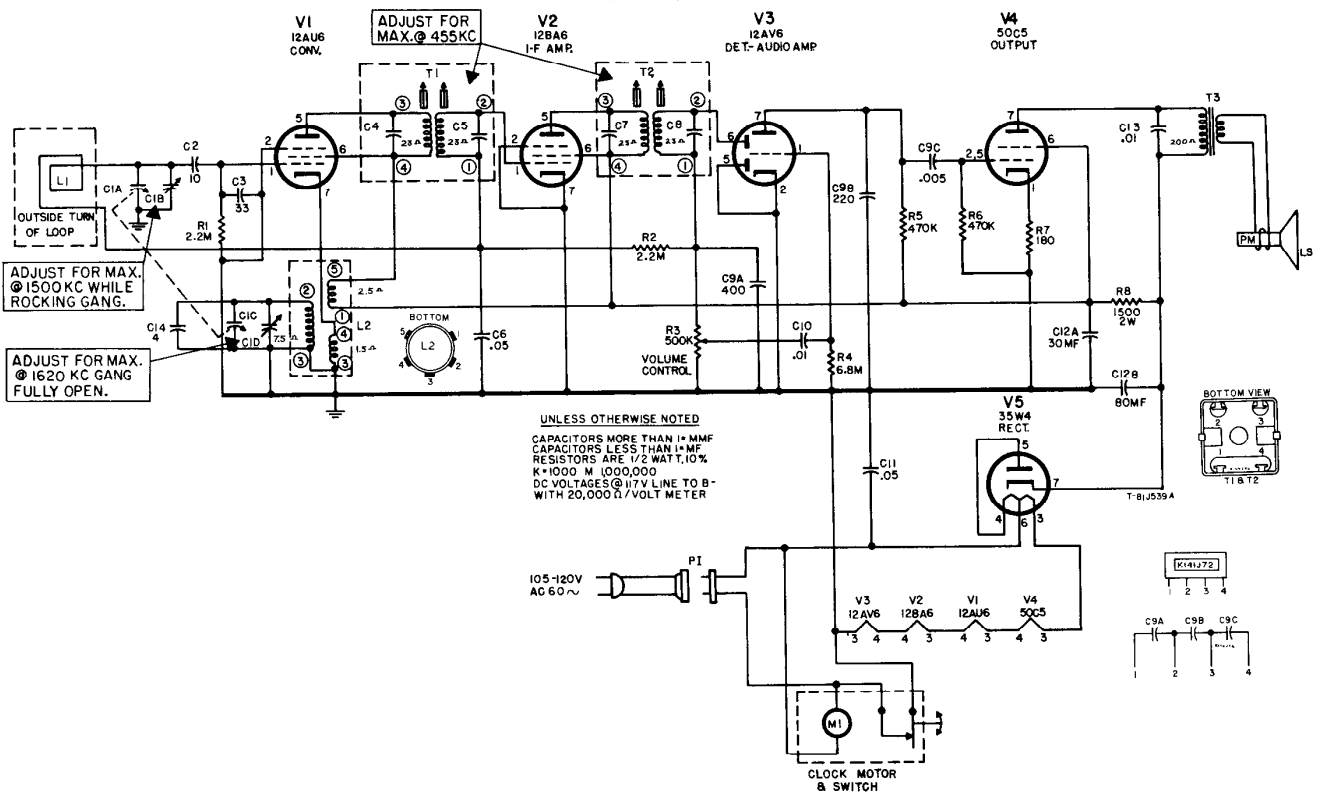
MODEL 895



REPLACEMENT PARTS LIST - 895

CAT. NO.	SYMBOL	DESCRIPTION	PRICE	CAT. NO.	SYMBOL	DESCRIPTION	PRICE
CAPACITORS				COILS & TRANSFORMERS			
n-RCE-217	C7A, B, C	5mf., @ 25V., 20mf., and 60mf., @ 150V, electrolytic.....	\$2.00	RLC-136	L2	OSCILLATOR COIL...	\$1.00
RCN-048	C3	1.5mmf., 20%, 500V., ceramic.....	.20	RLL-068	L1	ANTENNA LOOP.....	1.00
RCN-053	C6	.047mf., +40-10%, 600V., molded.....	.35	RTL-184	T1	I-F TRANSFORMER...	1.50
RCT-093	C1A, B, C, D	TUNING CAPACITOR —Two-gang.....	3.40	RTO-176	T2	OUTPUT TRANSFORMER.....	2.05
RCW-3036	C5A, B, C	Bulplate—.0035mf., 220mmf., .005mf.....	.80	MISCELLANEOUS			
RCW-3079	C4	100mmf., 20%, 500V., ceramic.....	.25	RHC-095		CLIP—Tubular.....	.05
RCW-3186	C8	.01mf., +40-10%, 400V.....	.30	RHC-103		CLAMP—Plastic for mtg. antenna...	.15
n-RCW-3209	C9	4mmf., ±20%, 500V., ceramic.....	.25	RJJ-010		A-C INTERLOCK—Receptacle for power cord.....	.20
UCG-1024		68mmf., 10%, 500V.....	.35	RJS-221		SOCKET—Tube socket, 7-pin for printed circuit.....	.25
POTENTIOMETER				RMS-356		CLIP—Captive—for tuning knob.....	.05
n-RRC-335	R4	VOLUME CONTROL—2 megohms.....	1.00	RWL-027		POWER CORD—6 feet, brown.....	1.20
RESISTORS				n-RZC-055		CLOCK ASSEMBLY—Charcoal.....	9.40
All resistors used in this receiver are a common carbon type and are readily obtainable at any Radio Parts Jobber. For values and symbol numbers, refer to the attached schematic diagram.				ROP-035		SPEAKER—4-inch, PM.....	3.25
				CABINET & APPEARANCE ITEMS			
				RDK-357		KNOB—Volume, dark brown.....	.30
				n-RDK-516		KNOB—Tuning, dark brown, with gold numerals.....	1.25
				RZK-021		KNOB—Clock, dark brown.....	.10
n-RZW-024		CRYSTAL—Clock, clear.....	.75				
n-RAB-283		CABINET BACK.....	.20				
n-RAU-453		CABINET—Plastic, Ivory.....	5.60				

MODELS 900, 902, 903

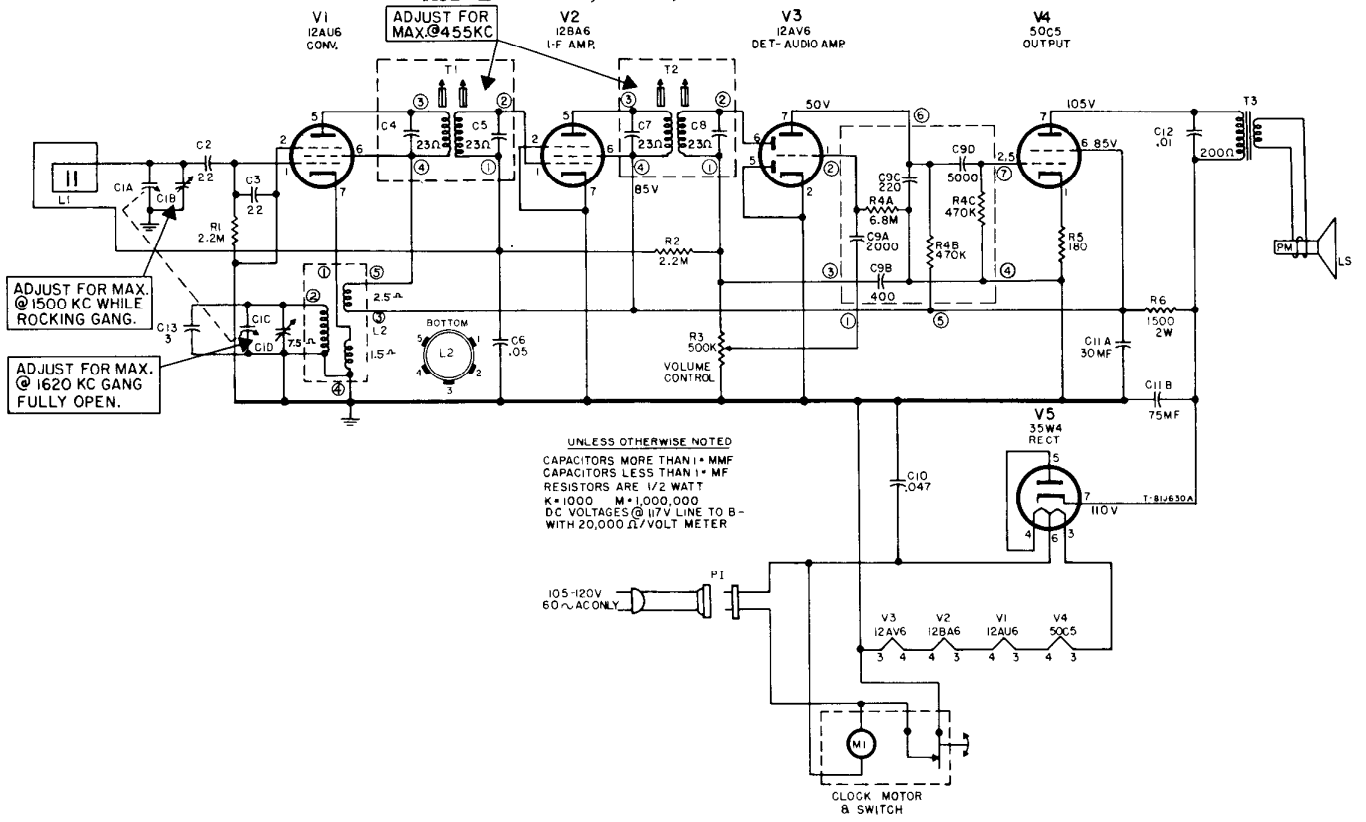


REPLACEMENT PARTS LIST
Models 900, 902, 903

All resistors and capacitors shown in this parts list without catalog numbers are common items available from your Radio Parts Jobber.

CAT. NO.	SYM-BOL	DESCRIPTION	UNIT PRICE	CAT. NO.	DESCRIPTION	UNIT PRICE
CAPACITORS				MISCELLANEOUS ITEMS (Cont'd)		
	C6	.05 mfd., 200 V, paper		RHS-115	SCREW—Ivory speaker mounting screw for Model 902	\$0.05
	C11	.047 mfd., 600 V, molded		n-RHS-152	SCREW—Brown speaker mounting screw for Model 900	
	C10, 13	Ceramic disc, .01 mfd., @450 V		n-RHS-153	SCREW—Blue speaker mounting screw for Model 903	.10
n-RCE-215	C12A, B	30 mfd., 150 V; 75 mfd., 150 V, electrolytic	\$2.00	RJJ-010	INTERLOCK—Power cord interlock	.20
RCT-083	C1A, B, C, D	Tuning gang	3.65	RJS-221	SOCKET—Tube socket without ground clip	.25
RCW-3127	C2	Ceramic, 10 mmf.	.25	RJS-222	SOCKET—Tube socket with ground clip for V3	.25
RCW-3177	C9A, B, C, D	Bullplate, 400 mmf., 220 mmf., and 5000 mmf.	.55	ROP-035	SPEAKER—4" loudspeaker	3.25
RCW-3178	C3	Ceramic, 33 mmf.	.15	RWL-027	POWER CORD—6-ft power cord with interlock	1.20
n-RCW-3204	C14	Ceramic, 4 mmf.	.20	n-RZC-048	CLOCK ASSEMBLY—Telechron C88G34	9.50
COILS AND TRANSFORMERS				CABINET AND APPEARANCE ITEMS		
RLC-133	L2	COIL—Oscillator coil	1.10	RAB-269	BACK—Back and loop assembly	1.25
RTL-174	T1, 2	TRANSFORMER—I-F transformer	1.50	RAG-049	GRILLE CLOTH—Grille cloth assembly, Maroon, for Model 900	.45
RTO-177	T3	TRANSFORMER—Output transformer	1.95	RAG-051	GRILLE CLOTH—Grille cloth assembly, Ivory, for Model 902	.45
POTENTIOMETER				n-RAG-085	GRILLE CLOTH—Grille cloth assembly, Blue, for Model 903	.45
n-RRC-323	R3	Volume control, 500 K ohms	1.00	n-RAU-441	CABINET—Mahogany plastic cabinet for Model 900	7.50
RESISTORS				n-RAU-442	CABINET—Ivory plastic cabinet for Model 902	7.50
	R1, 2	2.2 megohm, ±10%, 1/2 watt carbon		n-RAU-443	CABINET—Blue plastic cabinet for Model 903	7.50
	R4	6.8 megohm, ±10%, 1/2 watt carbon		RDK-295	KNOB—Ivory volume control knob for Model 900	.25
	R5, 6	470 K ohms, ±10%, 1/2 w. carbon		RDK-357	KNOB—Brown volume control knob for Model 902	.30
	R7	180 ohms, ±10%, 1/2 watt, carbon		n-RDK-500	KNOB—Ivory tuning knob for Model 900	1.30
	R8	1500 ohms, ±10%, 2 watt, carbon		n-RDK-501	KNOB—Brown tuning knob for Model 902	1.30
MISCELLANEOUS ITEMS				n-RDK-502	KNOB—Antique white tuning knob for Model 903	1.30
n-RHC-095	CLIP	Tubular clip 3/8" for clock mounting	.05	n-RDK-503	KNOB—Antique white volume control knob for Model 903	.20
RHS-110	SHIELD	Tube shield for V3	.15	RMS-356	CLIP—To captivate tuning knob on cabinet	.05
				RZK-021	KNOB—Brown clock knob for Model 902	.10
				RZK-025	KNOB—Ivory clock knob for Model 900	.10
				n-RZK-031	KNOB—Antique white clock knob for Model 903	.10
				n-RZW-025	CRYSTAL—Crystal for clock	.75

MODELS 900D, 902D, 903D

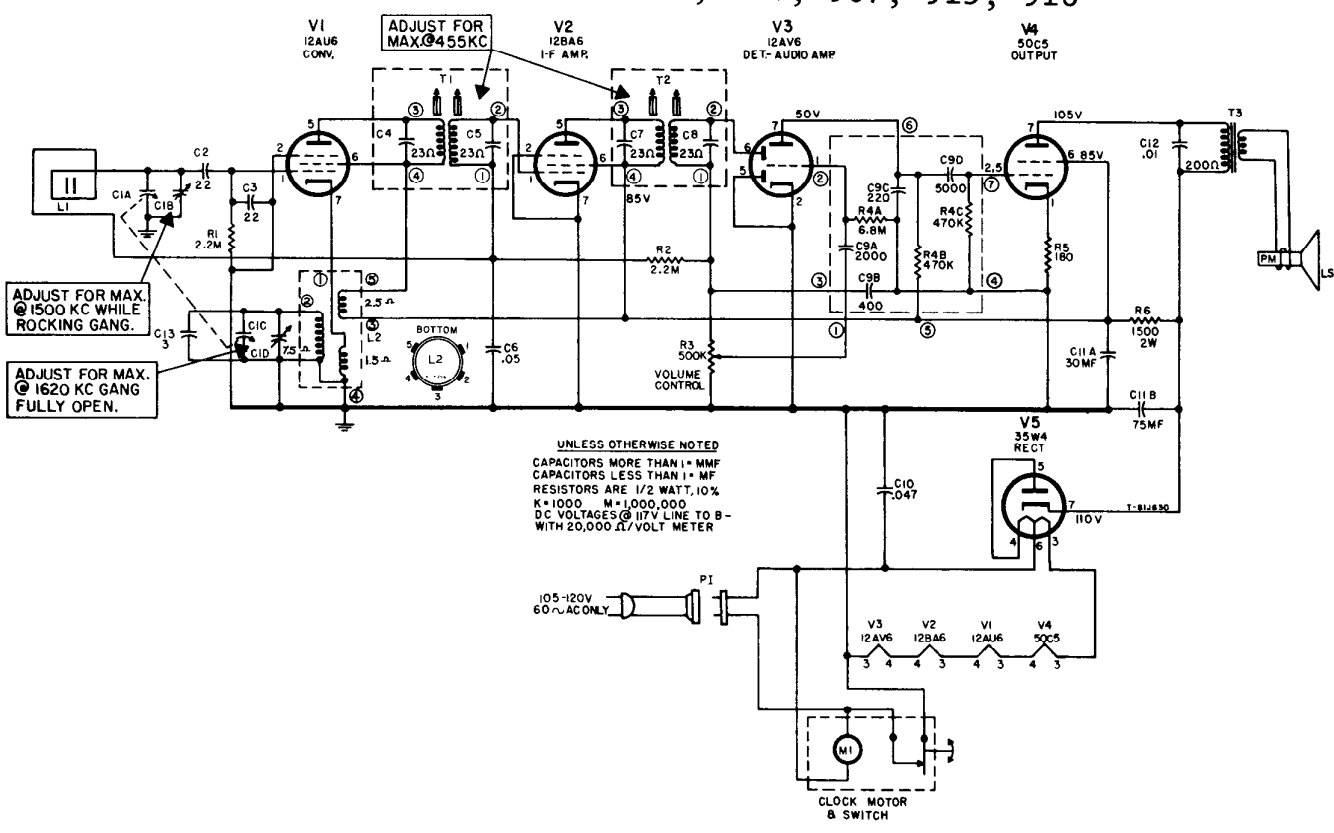


REPLACEMENT PARTS LIST
Models 900D, 902D, 903D

CAT. NO.	SYM-BOL	DESCRIPTION	UNIT PRICE	CAT. NO.	DESCRIPTION	UNIT PRICE
CAPACITORS				MISCELLANEOUS ITEMS (Cont'd)		
RCE-215	C6	.05 mfd., @ 200 V, paper		RJJ-010	RECEPTACLE—Power cord receptacle	\$0.20
	C10	.047 mfd., @ 600 V, molded		RJS-221	SOCKET—Tube socket	.25
	C12	.01 mfd., @ 450 V, ceramic disc		RJS-222	SOCKET—Tube socket with ground clip for V-3	.25
n-RCT-095	C11A, B	30 mfd., @ 150 V, electrolytic; 75 mfd., @ 150 V, electrolytic	\$2.00	RMS-374	STRAP—Ground strap	.02
RCW-3196	C1A, B, C, D	Tuning gang	3.65	ROP-035	LOUDSPEAKER—4" loudspeaker	3.25
RCW-3207	C2, 3	22 mmf., @ 500 V, ceramic	.20	RWL-027	POWER CORD—Power cord & bracket assembly	1.20
	C9A, B, C, D, R4A, B, C	Coupling network	1.00	CABINET AND APPEARANCE ITEMS		
RCW-3216	C13	3 mmf., @ 500 V, ceramic	.25	n-RAB-281	BACK—Cabinet back	.20
RESISTORS				RAG-051	GRILLE CLOTH—Grille cloth assembly, ivory for 902D	.45
RRC-323	R3	VOLUME CONTROL 500 K	1.00	RAG-085	GRILLE CLOTH—Grille cloth assembly, blue for 903D	.45
	R5	180 ohms, ±10%, ½ w., carbon		n-RAU-455	CABINET—Mahogany plastic, for Model 900D	7.20
	R1, 2	2.2 megohm, ±10%, ½ w., carbon		n-RAU-456	CABINET—Ivory plastic, for Model 902D	7.20
	R6	1500 ohms, ±10%, 2 watt, carbon		n-RAU-457	CABINET—Blue plastic, for Model 903D	7.50
COILS & TRANSFORMERS				RDK-295	KNOB—Ivory volume control knob for Model 900D	.25
RLC-135	L2	COIL—Oscillator coil	1.00	RDK-357	KNOB—Brown vol. control knob for Model 902D	.30
RLL-064	L1	COIL—Iron core loop antenna	1.00	RDK-500	KNOB—Ivory tuning knob for Model 900D	1.30
RTL-183	T1, 2	TRANSFORMER—I-F transformer	1.65	RDK-501	KNOB—Brown tuning knob for Model 902D	1.30
RTO-176	T3	TRANSFORMER—Output transformer	2.05	RDK-502	KNOB—Antique white tuning knob for Model 903D	1.30
MISCELLANEOUS ITEMS				RDK-503	KNOB—Antique white volume control knob for Model 903D	.20
RHC-060	CLAMP	Plastic clamp for antenna	.15	RHS-115	SCREW—Ivory speaker mounting screw for Model 902D	.05
RHC-095	CLIP	3/8" tubular clip for clock mounting	.05	RHS-152	SCREW—Brown speaker mounting screw for Model 900D	.10
RHS-110	SHIELD	Tube shield for V-3	.15	RHS-153	SCREW—Blue speaker mounting screw for Model 903D	.10
RHS-161	SHIELD	Flat, mounted on V-2 socket center pin	.10	RMS-356	CLIP—To captivate tuning knob on cabinet	.05
				n-RZC-062	CLOCK—Telechron Number C103G18	
				RZK-030	CLOCK KNOB—Antique white for 903D	.10
				RZK-037	CLOCK KNOB—Brown for 902D	.10
				n-RZK-038	CLOCK KNOB—Ivory for 900D	.10
				n-RZW-028	CRYSTAL—Clock crystal	.75

PRICES ARE SUGGESTED LIST PRICES AND SUBJECT TO CHANGE WITHOUT NOTICE
 "n" DENOTES NEW ITEMS NOT PREVIOUSLY CATALOGED

MODELS 905, 906, 907, 915, 916



REPLACEMENT PARTS LIST - 905, 906, 907, 915, 916

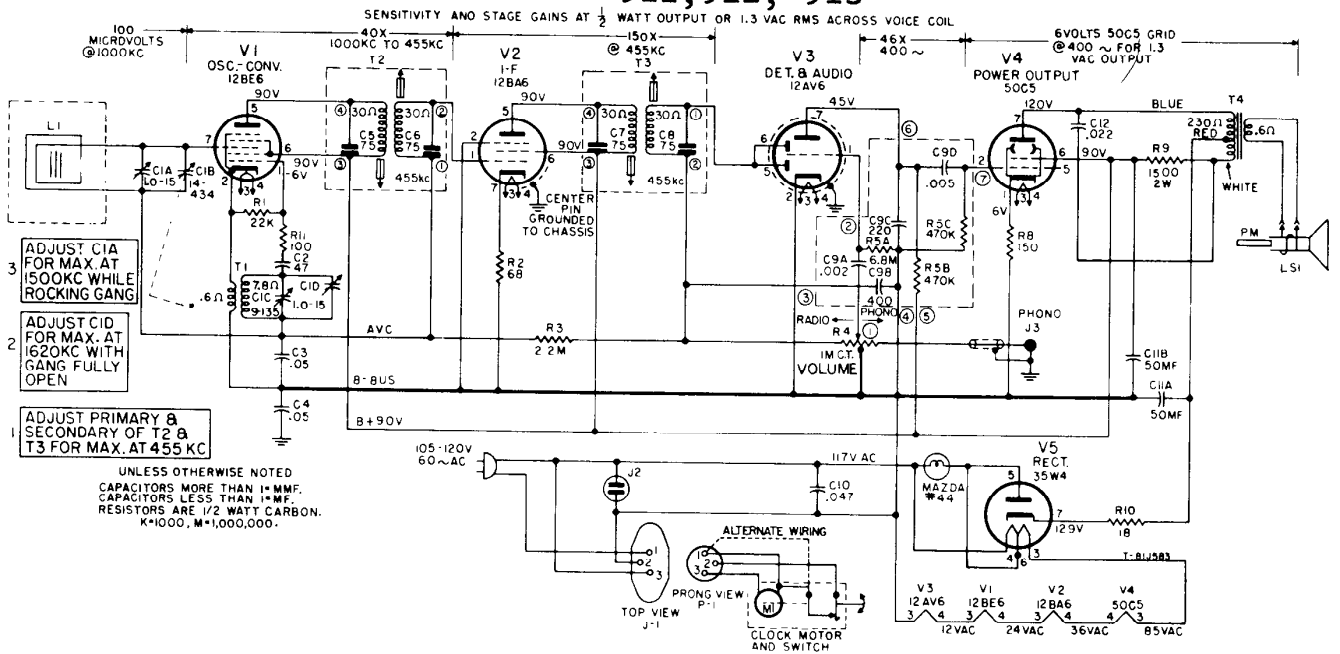
CAT. NO.	SYMBOL	DESCRIPTION	PRICE	CAT. NO.	DESCRIPTION	PRICE
CAPACITORS				CABINET & APPEARANCE ITEMS		
RCE-215	C11A, B	30-75 mfd., (w) 150 v, electrolytic	\$2.00	n-RAB-293	CABINET BACK—Light grey, Model 915	\$5.80
RCT-093	C1A, B, C, D	Tuning gang	3.40	n-RAB-294	CABINET BACK—Red, Model 916	5.80
RCW-3186	C12	.01 mfd., (w) 450 v, ceramic	.30	n-RAB-295	CABINET BACK—Light grey, Model 905	5.80
RCW-3196	C2, 3	22 mmf., (w) 50 v, ceramic	.20	n-RAB-296	CABINET BACK—Red, Model 906	5.80
RCW-3207	C9A, B, C, D, R4A, B, C	Coupling network	1.00	n-RAB-297	CABINET BACK—White, Model 907	5.80
RCW-3216	C13	3 mmf., (w) 500 v, ceramic	.25	n-RAC-179	CABINET FRONT—Charcoal, Models 905, 915	2.95
RESISTOR				n-RAC-180	CABINET FRONT—Antique white, Models 906, 916	2.95
n-RRC-325	R3	VOLUME CONTROL, 500 K, potentiometer	1.00	n-RAC-181	CABINET FRONT—White, Model 907	2.95
COILS & TRANSFORMERS				n-RAG-089	GRILLE—Radio grille (brass)	1.70
RLC-135	L2	COIL—Oscillator coil	1.00	n-RAG-090	GRILLE CLOTH—Light grey grille cloth assembly for Models 905 and 915	.45
RLI-064	L1	COIL—Iron core loop antenna	1.00	n-RAG-091	GRILLE CLOTH—Red grille cloth assembly for Models 906 and 916	.45
RTL-183	T1, 2	TRANSFORMER—I-F transformer	1.65	n-RAG-092	GRILLE CLOTH—White grille cloth assembly for Model 907	.45
RTO-176	T3	TRANSFORMER—Output transformer	2.05	RDK-425	KNOB—Clear plastic volume knob	.35
MISCELLANEOUS ITEMS				n-RDK-508	KNOB—Tuning knob, charcoal, for Models 905 and 915	1.65
RHC-060	CLAMP	Plastic clamp for antenna	.15	n-RDK-509	KNOB—Tuning knob, red, for Models 906 and 916	1.65
RHC-095	CLIP	9/32" tubular clip for clock mounting	.05	n-RDK-510	KNOB—Tuning knob, white, for 907	1.65
RHS-110	SHIELD	Tube shield for V-3	.15	n-RDP-087	POINTER—Red dial pointer	.10
RHS-161	SHIELD	Flat, mtd. on V-2 socket center pin	.10	RMS-356	CLIP—Clip to captivate tuning knob	.05
RJJ-010	RECEPTACLE	Power cord receptacle	.20	n-RZA-016	BEZEL—Clock bezel	1.10
RJS-221	SOCKET	Tube socket	.25	n-RZC-049	CLOCK—Clock assembly for Model 915	17.80
RJS-222	SOCKET	Tube socket with ground clip for V-3	.15	RZC-050	CLOCK—Clock assembly for Model 916 (E.P.)	17.80
n-RMS-374	STRAP	Ground strap for molded socket	.02	n-RZC-051	CLOCK—Clock assembly for Models 905 and 907	14.40
ROP-033	LOUDSPEAKER	4" loudspeaker	4.00	n-RZC-052	CLOCK—Clock assembly for Model 906 (E.P.)	14.40
RWL-035	POWER CORD	Power cord & bracket assembly	.90	n-RZC-060	CLOCK—Clock assembly for Model 916 (L.P.)	17.80
				RZC-061	CLOCK—Clock assembly for Model 906 (L.P.)	14.40
				n-RZK-032	KNOB—White clock knob for 905, 907, 915	.05
				n-RZK-033	KNOB—Antique white clock knob for 906, 916	.05
				n-RZW-018	CRYSTAL—White clock crystal, for 915, 916	.55
				n-RZW-019	CRYSTAL—Gold clock crystal, E.P. for 916	.55
				n-RZW-020	CRYSTAL—White clock crystal for 905, 906, 907	.55
				n-RZW-021	CRYSTAL—Gold clock crystal for E.P. 906	.55

Parts not listed in this parts list are common items available at your radio parts jobber.

"n"—New parts not previously cataloged.

PRICES ARE SUGGESTED LIST PRICES AND SUBJECT TO CHANGE WITHOUT NOTICE

911, 912, 913



911, 912, 913

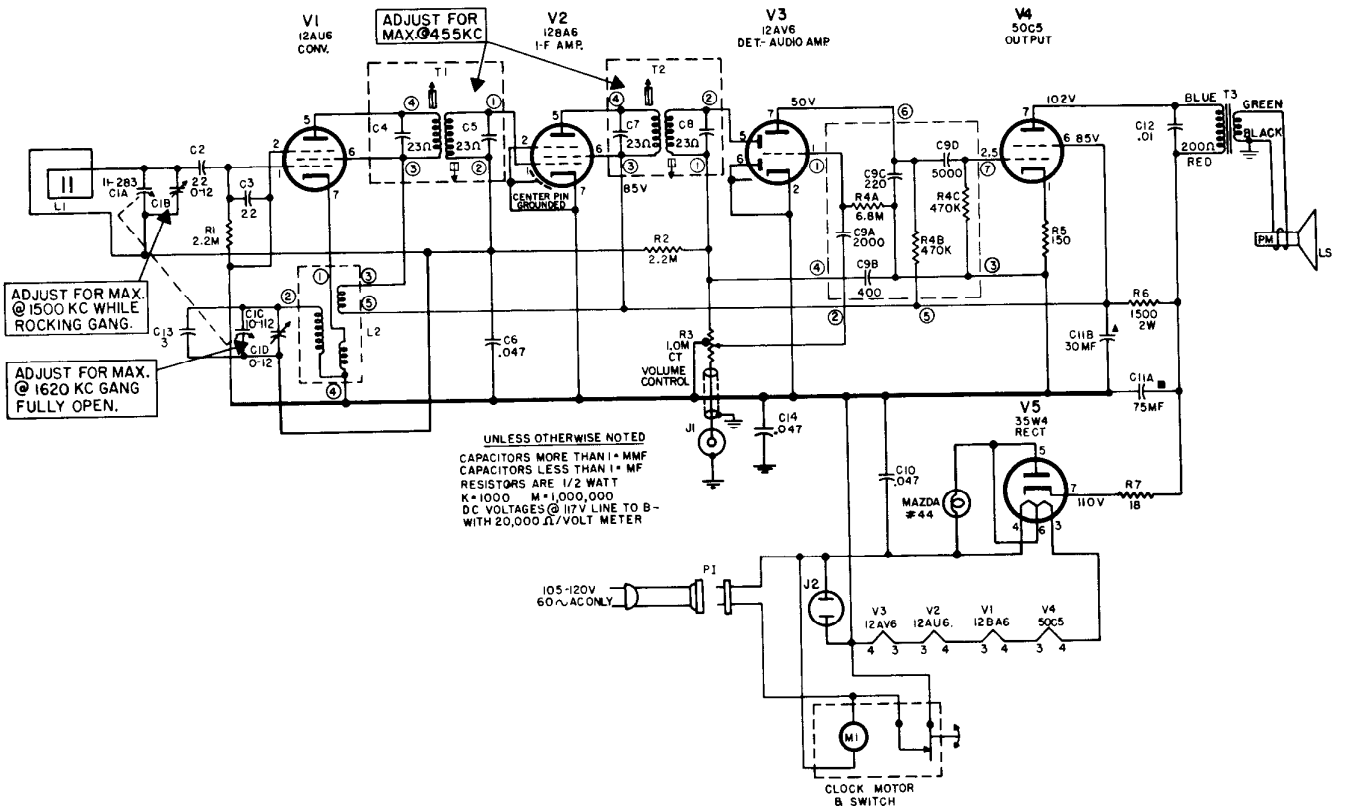
REPLACEMENT PARTS LIST

The resistors and capacitors shown in this parts list without catalog numbers are common items obtainable at your Radio Parts Jobber.

CAT. NO.	SYMBOL	DESCRIPTION	PRICE	CAT. NO.	DESCRIPTION	PRICE
CAPACITORS				MISCELLANEOUS ELECTRICAL (CONT'D)		
	C3	.05 mfd., @ 200 v. paper		RWL-025	POWER CORD—Brown, for Model 911	\$0.75
	C4	.05 mfd., @ 600 v. paper		RWL-026	POWER CORD—White, for Model 912	.75
	C10	.047 mfd., @ 600 v. molded paper		RWL-031	POWER CORD—Gray, for Model 913	.75
	C12	.022 mfd., @ 600 v. molded paper		n-RWX-057	SOCKET—Dial light socket assembly	.80
RCE-149	C11A, B	50-50 mfd., @ 150 v. electrolytic	\$2.00	MISCELLANEOUS MECHANICAL		
n-RCT-094	C1A, B, C, D	TUNING GANG	3.65	RDC-032	DIAL CORD—Bulk 10-yard spool	2.50
RCW-3075	C2	47 mmf., @ 500 v. ceramic	.25	RHC-024	CLIP—Spring clip for electrolytic	.10
RCW-3207	C9A, B, C, D	Coupling network	1.00	RHC-080	CLIP—Spring clip for sub-chassis board	.05
	R5A, B, C			RHE-014	EYELET—Tube wafer eyelet	.01
RESISTORS				RHE-016	EYELET—I-F wafer eyelet	.01
	R1	22 K ohms, ±10%, ½ watt, carbon		RHI-010	STRAIN RELIEF—Power cord strain relief	.15
	R2	68 ohms, ±10%, ½ watt, carbon		RHS-084	SCREW—Speaker mounting screw	.05
	R3	2.2 megohm, ±10%, ½ watt, carbon		RHS-128	SHIELD—Clock shield	.04
	R8	150 ohms, ±10%, ½ watt, carbon		RII-118	SUPPORT—Loop antenna support	.10
	R9	1500 ohms, ±10%, ½ watt, carbon		RJC-030	CLIP—I-F terminal clip, dip solder contact, spring brass, connects pin 6—12BE6, 12BA6 and 12AV6	.02
	R10	18 ohms, ±10%, ½ watt, carbon		RJC-031	CLIP—I-F terminal clip, dip solder contact, spring brass, connects pin 5—12BE6, pins 1 and 5—12BA6	.02
n-RRC-327	R11	100 ohms, ±10%, ½ watt, carbon	1.00	RMM-006	SHIELD—Dial light shield	.10
n-RRC-372	R4	VOLUME CONTROL—1 megohm c. t. VOL. CONT. w/switch, 500K (911-H)		RMS-118	SPRING—Tuning drum spring	.10
	COILS AND TRANSFORMERS			RMS-331	CLIP—Clock shield spring clip	.10
RLC-122	T1	COIL—Oscillator coil	1.00	RMW-070	PULLEY—Idler pulley	.05
n-RLL-062	L1	COIL—Iron core loop antenna	1.00	n-RMX-329	TUNING SHAFT ASSEMBLY	.55
RTL-163	T2, 3	TRANSFORMER—I-F trans.	1.70	CABINET AND APPEARANCE ITEMS		
RT0-138	T4	TRANSFORMER—Output trans.	2.50	n-RAB-278	CABINET BACK—Mahogany, Model 911	3.75
MISCELLANEOUS ELECTRICAL				n-RAB-279	CABINET BACK—Ivory for Model 912	3.75
RHS-109	SHIELD	Pin shield in chassis tube holes	.20	n-RAB-280	CABINET BACK—Pink for Model 913	3.75
RHS-110	SHIELD	Tube shield	.15	n-RAC-168	CABINET—Mahogany, for Model 911	6.75
RHS-118	SHIELD	Tube pin shield	.05	n-RAC-169	CABINET—Ivory for Model 912	6.75
RII-081	WAFER	I-F wafer	.05	n-RAC-170	CABINET—Pink for Model 913	6.75
RII-082	WAFER	Tube wafer	.05	RDK-425	KNOB—Volume and Tuning knob, clear	.35
RII-088	BOARD	Sub-chassis board less hardware	.60	n-RDW-097	DIAL SCALE, Gold for Model 911	3.10
RII-090	SHIELD	Heat shield	.05	n-RDW-098	DIAL SCALE, Black for Models 912 and 913	3.10
RJC-004	TERMINAL	Pin terminal	.02	n-RDW-109	DIAL SCALE, Gold for Model 911-H	
RJC-027	CONTACT	Dip solder contact	.03	n-RDW-099	TRANSLUCENT WINDOW	.30
RJC-082	TERMINAL	Dip solder terminal used on osc. coil	.02	n-RDP-088	POINTER—Red dial pointer	.45
RJP-045	PLUG	Clock plug with shield	.15	n-RZC-056	CLOCK ASSEMBLY—Gold, for Model 911 (Telechron C99SG13)	14.40
RJS-181	SOCKET	For clock plug	.15	n-RZC-057	CLOCK ASSEMBLY—Black, for Models 912 and 913 (Telechron C99SG15)	14.40
RJS-182	CONNECTOR	Phono input connector	.15	RZK-017	KNOB—Clock knob, clear plastic	.10
RJS-212	RECEPTACLE	Appliance power receptacle	1.20			
ROP-033	SPEAKER	4" PM loudspeaker	4.00			

"n" Denotes Parts Not Used on Previous Receivers. PRICES ARE SUGGESTED LIST PRICES AND ARE SUBJECT TO CHANGE WITHOUT NOTICE

MODELS 911D, 912D, 913D, 914D



REPLACEMENT PARTS LIST—MODELS 911D, 912D, 913D, 914D

CAT. NO.	SYMBOL	DESCRIPTION	PRICE	CAT. NO.	DESCRIPTION	PRICE
CAPACITORS				MISCELLANEOUS ELECTRICAL		
RCC-125	C14	.047mf., ±20%, 400V, paper.	\$0.40	RJJ-010	POWER CORD RECEPTACLE	\$0.20
n-RCE-231	C11A, B	75mf., 35mf., @150V, electrolytic.	2.10	RJJ-015	APPLIANCE RECEPTACLE	.55
RCN-109	C10	.047mf., ±20%, 600V, 105°C, paper.	.40	RJS-182	PHONO INPUT CONNECTOR	.15
n-RCT-099	C1A, B, C, D	TUNING CAPACITOR—2-gang	3.25	RJS-221	SOCKET—Tube socket, wafer type.	.25
RCW-3186	C12	.01mf., +150-0%, 450V, ceramic	.30	ROP-033	SPEAKER—4 inch, PM loudspeaker.	4.00
RCW-3216	C13	3mmf., ±20%, 500V, ceramic	.25	RWL-019	POWER CORD—6 ft., brown	1.65
n-REK-011	R4A, B, C C9A, B, C D C2, 3 C6	Capacitor-Resistor Coupling Network 22mmf., ±20% .047mf., ±20%, 400V	.80	n-RWX-058	DIAL LIGHT ASSEMBLY	.75
<p>The resistors and capacitors shown in this parts list, without catalog numbers, are common items obtainable from your Radio Parts Jobber.</p>				MISCELLANEOUS MECHANICAL		
RESISTORS				CABINET & APPEARANCE ITEMS		
	R1, 2 R5 R6 R7	2.2 megohm, ±20%, ½ watt. 150 ohm, ±10%, ½ watt. 1500 ohm, ±20%, 2 watts 18 ohm, ±10%, ½ watt.		n-RAB-309	CABINET BACK—Mahogany, Model 911D	3.00
POTENTIOMETER				n-RAB-310	CABINET BACK—Ivory, Model 912D	3.00
n-RRC-375	R3	VOLUME CONTROL—1 megohm C.T.	.90	n-RAB-311	CABINET BACK—Pink, Model 913D	3.00
COILS & TRANSFORMERS				n-RAB-328	CABINET BACK—Turquoise, Model 914D	3.00
n-RLC-142	L2	COIL—Oscillator coil	1.00	n-RAC-193	CABINET—Mahogany, Model 911D	6.75
RLL-064	L1	COIL—antenna, iron core	1.00	n-RAC-194	CABINET—Ivory, Model 912D	6.75
n-RTL-197	T1, 2	TRANSFORMER—I-F	1.40	n-RAC-195	CABINET—Pink, Model 913D	6.75
RTO-176	T3	TRANSFORMER—Output	2.05	n-RAC-211	CABINET—Turquoise, Model 914D	6.75
				RDK-425	KNOB—Vol. & Tune, clear and gold	.35
				n-RDP-090	DIAL POINTER ASSEMBLY	.70
				RDW-097	DIAL SCALE AND WINDOW—Gold, Models 911D and 914D	3.10
				RDW-098	DIAL SCALE AND WINDOW—Black, Models 912D and 913D	3.10
				n-RDW-112	DIAL BACK WINDOW—Translucent	.20
				RZC-056	CLOCK ASSEMBLY—Gold, for Models 911D and 914D Telechron No. C99-SG13	14.40
				RZC-057	CLOCK ASSEMBLY—Black, for Models 912D and 913D, Telechron No. C99SG15	14.40
				RZK-017	KNOB—Clock knob, clear plastic	.10

PRICES ARE SUGGESTED LIST PRICES AND SUBJECT TO CHANGE WITHOUT NOTICE
"n"—DENOTES ITEMS NOT PREVIOUSLY CATALOGED

REPLACEMENT PARTS LIST - 920, 921

The resistors and capacitors shown in this parts list without catalog numbers are common items obtainable at your Radio Parts Jobber.

CAT. NO.	SYMBOL	DESCRIPTION	PRICE
CAPACITORS			
	C3, 4	.05 mfd., 600 v., paper	
	C11, 13	.02 mfd., 400 v., paper	
	C12	.047 mfd., 600 v., molded paper	
	C16	.047 mfd., 200 v., paper 85°C	
RCE-166	C15A, B	100 mf., 50 mf., 150 v. elect.	\$2.65
n-RCT-090	C1A, B, C, D	TUNING CAPACITOR	4.15
RCW-3075	C2	47 mmf., ceramic	.25
RCW-3104	C14A, B	.0068 mf., 500 mmf., ceramic	.50
n-RCW-3195	C9, 10	220 mmf., ceramic	.25
RESISTORS			
	R1	22K ohms, ±10%, 1/2 watt, carbon	
	R2	100 ohms, ±10%, 1/2 watt, carbon	
	R3	68 ohms, ±10%, 1/2 watt, carbon	
	R4	2.2 megohm, ±10%, 1/2 watt, carbon	
	R5	330K ohms, ±10%, 1/2 watt, carbon	
	R7	6.8 megohms, ±10%, 1/2 watt, carbon	
	R8, 9	470K ohms, ±10%, 1/2 watt, carbon	
	R10	150 ohms, ±10%, 1/2 watt, carbon	
	R11	1500 ohms, ±10%, 2 watt, carbon	
	R12	4700 ohms, ±10%, 1/2 watt, carbon	
	R13	820 ohms, ±10%, 1/2 watt, carbon	
	R14	15K ohms, ±10%, 1/2 watt, carbon	
	R15	18 ohms, ±10%, 1/2 watt, carbon	
n-RRC-330	R6, S1	VOLUME CONTROL & SWITCH 4 meg., center tapped	1.50
COILS AND TRANSFORMERS			
RAB-245	L1	ANTENNA COIL AND CABINET BACK	1.55
RLC-122	T1	OSCILLATOR COIL	1.00
RTL-143	T2, 3	I-F TRANSFORMER	1.80
RTO-157	T4	OUTPUT TRANSFORMER	3.35
MISCELLANEOUS ELECTRICAL			
RHS-110	SHIELD	Tube shield	.15
n-RHS-150	HUM SHIELD		.25
RII-082	WAFER	Sub-chassis tube socket wafer	.05
RJC-004	CONNECTOR	Fits on male speaker terminal	.02
RJC-027	CONTACT	Dip solder	.02
RJC-028	TERMINAL	Dip solder	.02
RJP-045	CONNECTOR	Clock & shield assembly. (P1)	.15
RJS-181	SOCKET	Clock connector female. (J1)	.15
RJS-182	CONNECTOR	Phono. (J3)	.15
RJS-212	RECEPTACLE	Appliance, 24" leads. (J2)	1.20
ROP-030	LOUDSPEAKER	5 1/2 in. PM	6.25
RWL-027	CORD	Power cord & plug	1.20

CAT. NO.	DESCRIPTION	PRICE
MISCELLANEOUS ELECTRICAL (Cont'd)		
RWX-054	SOCKET—For pilot light	\$ 0.65
n-RZC-053	CLOCK ASSEMBLY—Red, 920 (C99KG19)	15.80
n-RZC-054	CLOCK ASSEMBLY—Gray, 921 (C99KG21)	15.80
MISCELLANEOUS MECHANICAL		
RDC-032	CORD—Dial cord, bulk, 25 yards	2.50
RHC-024	CLIP—For mounting capacitor	.10
RHC-080	CLIP—For mtg. board under chassis	.05
RHE-014	EYELET—For tube socket wafer	.01
RHE-016	EYELET—For I-F wafer	.01
RHI-010	STRAIN RELIEF—For power cord	.15
RHS-084	SCREW—For mtg. speaker and grille	.05
RHS-108	SHIELD—Pilot light shield	.05
RHS-109	SHIELD—Pin shield	.20
RHS-118	SHIELD—Pin shield over tube socket	.05
RHS-128	SHIELD—Clock shield	.05
RII-081	WAFER—I-F transformer wafer	.04
RII-090	SHIELD—Heat transfer shield	.05
RJC-030	I-F CLIP—Dip solder contact and clip for I-F trans., spring brass connects pin 6 on 12BE6, 12BA6, and 12AV6	.02
RJC-031	I-F CLIP—Dip solder contact and clip for I-F trans., spring brass connects pin 5-12BE6 pin 1 12BA6 and pin 5-12BA6	.02
RMS-272	COMPRESSION RING—For radio knobs	.05
RMS-331	SPRING—For clock shield RHS-128	.10
RMS-355	SPRING—Drum tension	.10
RMW-070	IDLER PULLEY	.05
n-RMX-321	SHAFT—Tuning shaft and bushing assembly	.50
CABINETS AND APPEARANCE ITEMS		
n-RAG-093	GRILLE—Fawn, Model 920	1.20
n-RAG-094	GRILLE—Antique white, Model 921	1.20
n-RAU-451	CABINET—Plastic, Mahogany, 920	9.50
n-RAU-452	CABINET—Plastic, Gray, Model 921	9.50
n-RDK-515	KNOB—Brown, Tuning & Volume, 920, 921	.30
RDP-084	DIAL POINTER—Chrome	.45
n-RDS-136	DIAL SCALE—Dark red, Model 920	.75
n-RDS-137	DIAL SCALE—Dove gray, Model 921	.75
n-RDW-095	CRYSTAL—For dial scale, gold numbers, Model 920	1.90
n-RDW-096	CRYSTAL—For dial scale, gold numbers Model 921	1.90
RYN-019	MEDALLION	.35
n-RZK-037	KNOB—Brown, for clock	.10
n-RZW-022	CRYSTAL—For clock, gold nos. 920	1.90
n-RZW-023	CRYSTAL—For clock, gold nos. 921	1.90

"n" Denotes Parts Not Used on Previous Receivers. PRICES ARE SUGGESTED LIST PRICES AND ARE SUBJECT TO CHANGE WITHOUT NOTICE

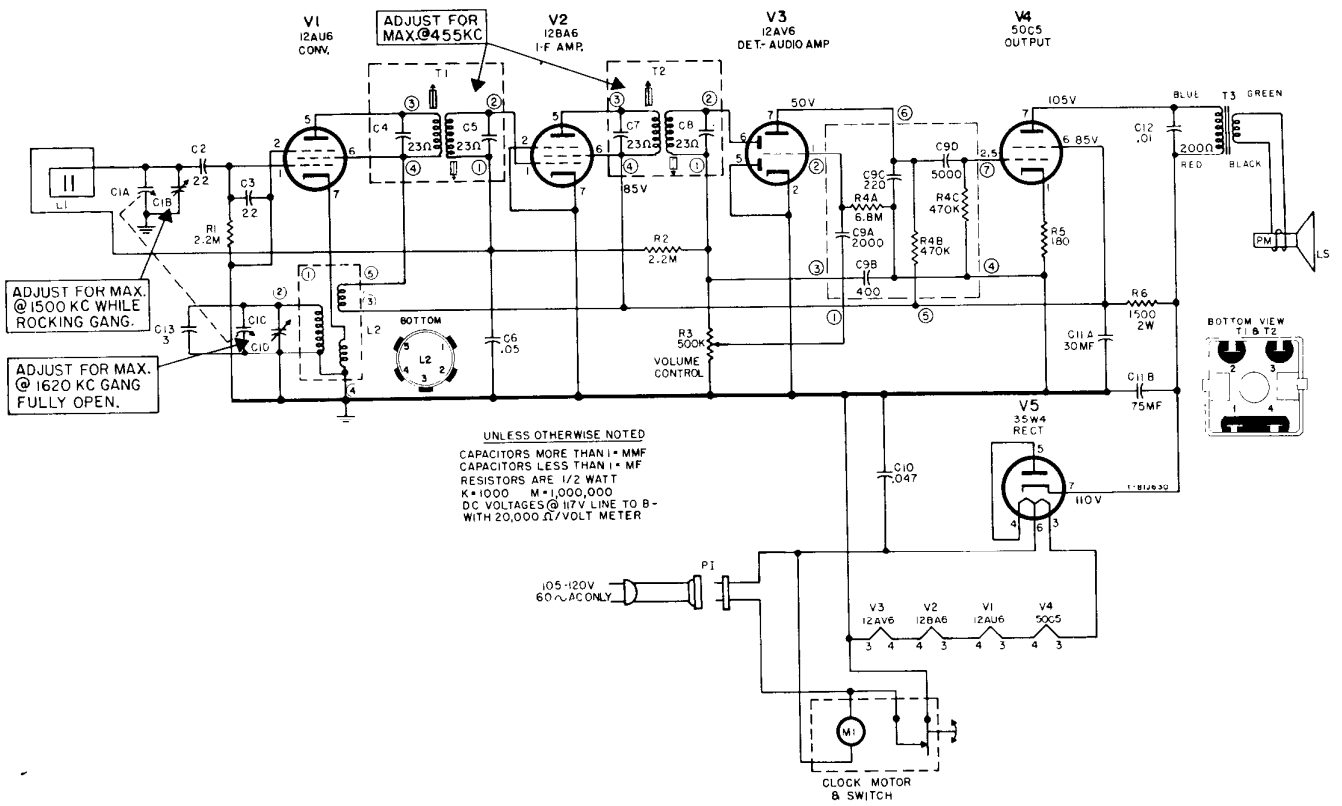
PARTS LIST—MODEL 930

CAT. NO.	SYMBOL	DESCRIPTION	PRICE	CAT. NO.	DESCRIPTION	PRICE
CAPACITORS				MISCELLANEOUS		
RCC-086	C6	.05 mf., +40 -10%, 200 V...	\$0.30	RHC-060	PLASTIC CLAMP—Antenna	\$0.15
RCE-215	C11A, B	30-75 mf., @ 150 V.	2.00	RHC-117	CLIP—Clock mounting	.02
RCN-053	C10	.047 mf., 20%, 600 V.	.35	RHS-110	TUBE SHIELD	.15
RCT-093	C1A, B	TUNING CAPACITOR — Two gang	3.40	RHS-161	SHIELD EYELET	.10
RCW-3186	C12	.01 mf., +150 -0%, 450 V.	.30	RJJ-014	POWER CORD RECEPTACLE	.20
RCW-3196	C2, 3	22 mmf., 20%, 500 V.	.20	RJS-221	TUBE SOCKET WAFER TYPE	.25
RCW-3207	C9A, B, C, D	BULLPLATE NETWORK	1.00	RJS-222	TUBE SOCKET WAFER TYPE—With ground clip	.25
RCW-3216	R4, A, B, C C13	3 mmf., 20%, 500 V.	.25	RMS-356	CAPTIVE CLIP TUNING KNOB	.05
POTENTIOMETER				RMS-374	GROUND STRAP FOR MOLDED SOCKET	.02
RRC-325	R3	VOLUME CONTROL— 500 K.	1.00	ROP-035	SPEAKER—4-inch PM	3.25
RESISTORS				RWL-027	POWER CORD—6-ft. brown	1.20
URD-031	R5	180 ohms, 10%, 1/2 w.	.13	CABINET AND APPEARANCE ITEMS		
URD-129	R1, 2	2.2 megohms, 10%, 1/2 w.	.13	n-RAB-319	CABINET BACK	.20
URF-053	R6	1500 ohms, 10%, 2 w.	.25	n-RAU-472	CABINET—White	4.30
COILS AND TRANSFORMERS				RDK-425	KNOB—Volume, (Clear and Gold)	.35
RLC-135	L2	Oscillator Coil	1.00	n-RDK-596	KNOB—Tuning, clear with insert	
RLL-064	L1	Loop Antenna (Iron Core)	1.00	n-RZC-067	CLOCK ASSEMBLY—Black background, Telechron No. C88G44	12.50
RTL-183	T1, 2	I-F Transformer	1.65	RZK-017	KNOB—Clock, clear, push on type	.10
RTO-176	T3	Output Transformer	2.05	n-RZW-032	CRYSTAL—Clock	.70

**PRICES ARE SUGGESTED LIST PRICES AND SUBJECT TO
CHANGE WITHOUT NOTICE**

"n"—DENOTES ITEMS NOT PREVIOUSLY CATALOGED.

MODELS 935, 936



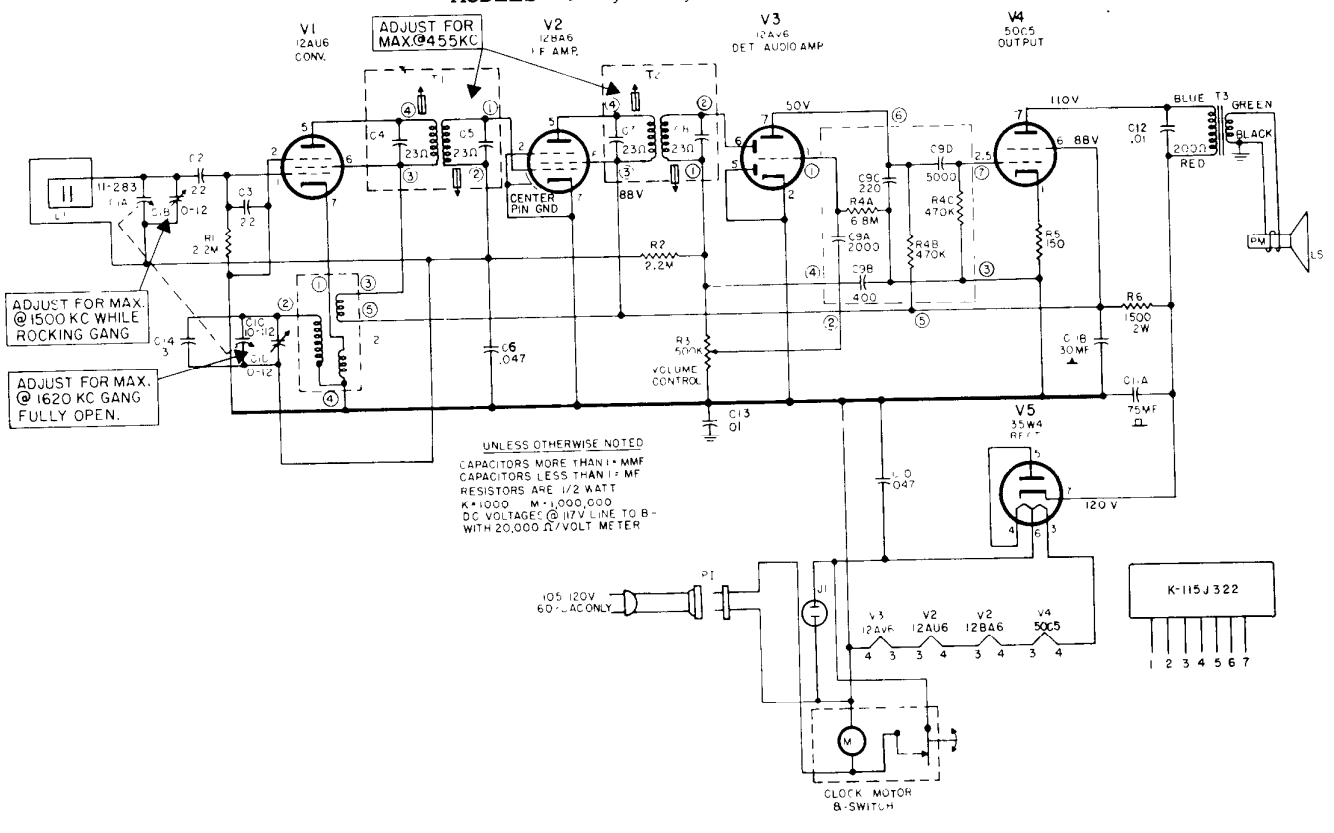
REPLACEMENT PARTS LIST—MODELS 935 AND 936

CAT. NO.	SYMBOL	DESCRIPTION	PRICE	CAT. NO.	DESCRIPTION	PRICE
CAPACITORS						
RCC-086	C6	.05 mfd., @ 200 v, paper	\$0.30	RHC-060	CLAMP—Plastic clamp (antenna mtg.)	\$0.15
RCE-215	C11A, B	30 mf., 75 mf., @ 150 v	2.00	RHC-095	CLIP—For speaker mounting	.05
RCN-053	C10	.047 mfd., @ 600 v, molded	.35	RHS-110	SHIELD—Tube shield for V3	.15
RCT-093	C1A, B, C, D	Tuning gang	3.40	RHS-161	SHIELD—Flat, mounted on V2 socket center pin	.10
RCW-3186	C12	.01 mfd., @ 450 v, ceramic	.30	RJJ-010	RECEPTACLE—Power cord receptacle	.20
RCW-3196	C2, 3	22 mmf., @ 500 v, ceramic	.20	RJS-221	SOCKET—Tube socket	.25
RCW-3207	C9A, B, C, D	Coupling network	1.00	RJS-222	SOCKET—Tube socket with ground clip for V3	.25
RCW-3216	C13	3 mmf., @ 500 v	.25	RMS-356	CLIP—For tuning knob	.05
POTENTIOMETER						
RRC-325	R3	VOLUME CONTROL—500 K ohms	1.00	RMS-374	CLIP—Ground clip for molded socket	.02
All resistors are common, 10% carbon types, which are obtainable through any Radio Parts Jobber and are therefore not listed by catalog number.						
	R1, 2	2.2 megohms, ½ watt		ROP-033	LOUDSPEAKER—4-inch, P.M.	4.60
	R5	180 ohms, ½ watt		RWL-035	POWER CORD—Brown, 6 feet long	.90
	R6	1500 ohms, 2 watts		CABINET AND APPEARANCE ITEMS		
COILS AND TRANSFORMERS						
RLC-135	L2	COIL—Oscillator coil	1.00	n-RAB-317	CABINET BACK—Mahogany, Model 935	4.35
RLL-064	L1	COIL—Iron core loop antenna	1.00	n-RAB-318	CABINET BACK—Red, Model 936	4.35
RTL-183	T1, 2	TRANSFORMER—I.F.	1.65	n-RAC-200	CABINET—Antique White, Models 935, 936	2.25
RTO-176	T3	TRANSFORMER—Output	2.05	RAG-089	GRILLE—Radio front, Rich Lo Brass	1.70
				n-RDK-595	KNOB—Tuning, black, for Model 935	1.80
				RDK-509	KNOB—Tuning, clear and red, Model 936	1.65
				RDK-425	KNOB—Volume, clear, w/gold insert	.35
				RDP-087	POINTER—Red	.10
				n-RZC-066	CLOCK—Antique White, Telechron No. C103G26	15.50
				RZK-030	KNOB—Clock, white	.10
				n-RZW-031	CRYSTAL—Clock, clear w/red lettering	.50

PRICES ARE SUGGESTED LIST PRICES AND SUBJECT TO CHANGE WITHOUT NOTICE

“n”—Denotes Parts Not Previously Cataloged.

MODELS 940, 941, 942



PARTS DESCRIPTION LIST
MODELS YRB 82-1, YRB 67-1, YRB 67-2

Symbol	Description	Symbol	Description	Symbol	Description
C1	Ant. trimmer condenser	C14	.05 mfd paper capacitor	R2	2.2 megohm carbon resistor
C2A	Tuning condenser, ant. section	C15	.05 mfd paper capacitor	R3	Volume control .5 megohm
C2B	Tuning condenser, osc. section	C16	.05 mfd paper capacitor	R4	4.7 megohm carbon resistor
C3	Osc. trimmer condenser	C17	.01 mfd paper capacitor	R5	470,000 ohm carbon resistor
C8	220 mmfd mica capacitor	L1	1st I.F. transformer	R6	470,000 ohm carbon resistor
C9	.005 mfd paper capacitor	L2	2nd I.F. transformer	R7	150 ohm carbon resistor
C10	220 mmfd mica capacitor	L3	Loop assembly	R8	2700 ohm carbon resistor
C11	.01 mfd paper capacitor	L4	Oscillator coil	R9	18 ohm carbon resistor
C12	.02 mfd paper capacitor	P1	Pilot lamp	R10	470 ohm carbon resistor
C13A	30 mfd electrolytic capacitor	T1	Output transformer		
C13B	30 mfd electrolytic capacitor	R1	22,000 ohm carbon resistor		

REPLACEMENT PARTS LIST
MODELS YRB 82-1, YRB 67-1, YRB 67-2

Stock No.	Description	Stock No.	Description
SPECIALIZED G-E REPLACEMENT PARTS		SPECIALIZED G-E REPLACEMENT PARTS (Cont.)	
SAB 004	Back cover, Models YRB 67-1 and 67-2	STL 001	Transformer, 1st I.F.
SAB 006	Back cover, Model YRB 82-1	STL 002	Transformer, 2nd I.F.
SAU 001	Cabinet, Model YRB 82-1	STO 001	Transformer, output
SAV 003	Cabinet, Model YRB 67-1	SWL 001	Power cord
SAV 015	Cabinet, Model YRB 67-2		
SCE 002	Capacitor, filter electrolytic, 30-30 mfd 150 volt, C13A, C13B	UNIVERSAL G-E REPLACEMENT PARTS	
SCT 002	Capacitor, tuning, C2A, C2B	UCC 039	Capacitor, .005 mfd paper, C9
SDC 001	Cord, dial drive cord	UCC 040	Capacitor, .01 mfd paper, C17
SDK 002	Knob, Models YRB 67-1 and 67-2	UCC 041	Capacitor, .02 mfd paper, C12
SDK 010	Knob, Model YRB 82-1	UCC 045	Capacitor, .05 mfd paper, C14, C15, C16
SDP 001	Pointer, dial scale	UCU 1036	Capacitor, 220 mmfd mica, C8, C10
SDS 004	Dial scale, Models YRB 67-1 and 67-2	UDL 013	Pilot lamp, Mazda 51
SDS 006	Dial scale, Model YRB 82-1	UOP 526	Speaker, 5 1/4 inch PM dynamic
SHC 001	Hair pin cotter for dial drive	URD 007	Resistor, 18 ohm 1/2 watt carbon, R9
SJP 002	Connector, female to speaker	URD 029	Resistor, 150 ohm 1/2 watt carbon, R7
SJS 001	Pilot lamp socket	URD 041	Resistor, 470 ohm 1/2 watt carbon, R10
SJS 003	Socket, octal tube	URD 081	Resistor, 22,000 ohm 1/2 watt carbon, R1
SLC 001	Coil, oscillator	URD 113	Resistor, 470,000 ohm 1/2 watt carbon, R5, R6
SLL 001	Loop, antenna	URD 129	Resistor, 2.2 megohm 1/2 watt carbon, R2
SMF 002	Snap button	URD 137	Resistor, 4.7 megohm 1/2 watt carbon, R4
SMF 003	Fastener, back cover to cabinet	URE 059	Resistor, 2700 ohm 1 watt carbon, R8
SMS 001	Spring, dial drive drum		
SMU 001	Shaft, dial drive		
SMW 001	Pulley, dial drive		
SRC 003	Volume control, 0.5 megohm with power switch		

Power Unit- Models 41, 42, 43, 44, 45

