

Dieter's Nixie Tube Data Archive

This file is a part of Dieter's Nixie- and display tubes data archive

If you have more datasheets, articles, books, pictures or other information about Nixie tubes or other display devices please let me know.

Thank you!

| | |
|----------------------------------|---|
| Document in this file | IEE Nimo catalog No. 808 - Dated March 1969 |
| Display devices in this document | BA-0006-P31, SA-0029-P31 |

nimoTM

display tubes



Single



Six Decade



Four Decade

An Industry first from



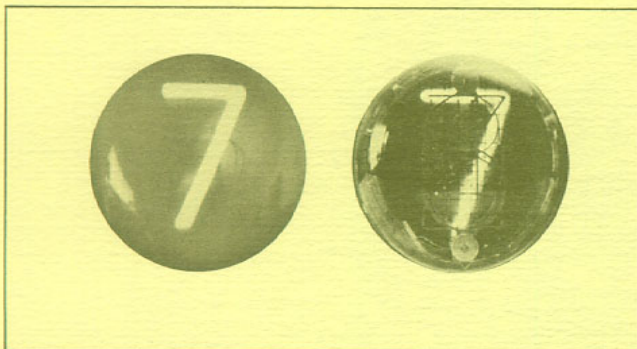
Nimo . . . a 10 Gun CRT providing a numerical display unsurpassed in brightness and clarity • Independent character control • Superb legibility in direct sunlight • Powerless control grid switching • Extremely low power consumption (under 300 milliwatts) • Low voltage character selection • Exceptionally wide viewing angle • Easily controlled brightness with no external focusing required • The ultimate for your readout applications, from one through six decades.

All About nimo

The Nimo display tube developed by IEE employs a unique concept which combines the display characteristics of the CRT with the character generation philosophy of the rear projection readout. Fundamentally, Nimo is a 10 gun cathode ray display tube.

Nimo offers inherent advantages not characteristic to other commonly used numerical display devices. Among these are:

- Appearance and wide viewing angle
- Single plane display
- Color and special character availability
- Minimum power dissipation
- High intensity presentation
- Easily variable display brightness
- High reliability
- High impedance control interface
- Time sharing capability
- Near zero RFI generation (per MIL-I-26600)

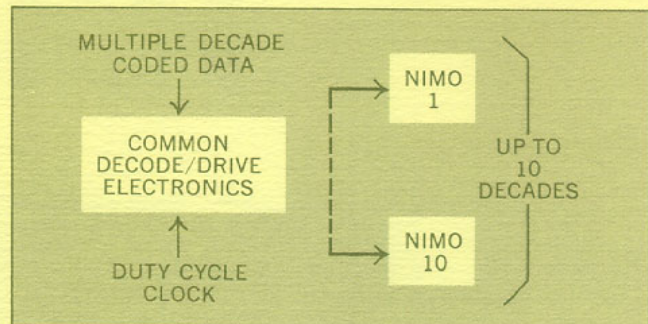


Optimum Legibility – Each gun of the 10-gun Nimo is independent. Every character appears on the same sharp, clear plane, no image ambiguity, no ambient light worries, no external positioning or focusing.

Short Term Storage Characteristics

One of the unique advantages of Nimo is its ability to store information temporarily. This feature results from the relatively long decay time of the phosphor screen once excited. Thus, if a character position is actuated with a pulse, the character will remain on the screen for a period of time after the control signal is removed. This is exactly the same phenomena used to develop an oscilloscope or television picture.

This retention time, once the character is activated, is independent of control grid bias or filament voltage. Thus, it is possible to remove all input information from the tube and maintain the character display for brief periods.



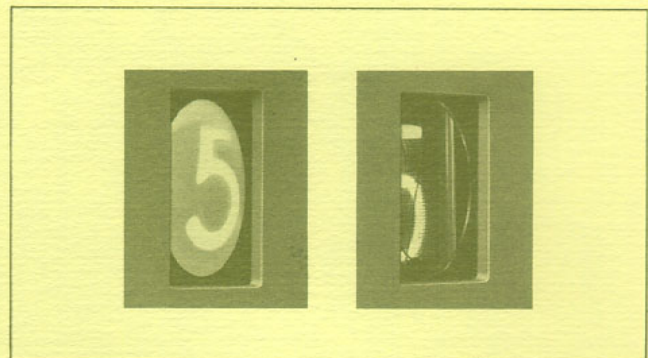
Temporary Data Storage – The P-31 phosphor has a decay time of 10 ms before a 25% loss of intensity is noticeable. A pulse-actuated character will remain on screen after the control signal is removed. A duty cycle of 10% or more is enough to maintain ample brilliance.

Multiple Decade Presentation

The IEE MODEL SA Nimo has been developed to display FOUR DECADES of data while the MODEL BA Nimo is intended for SINGLE DECADE presentation.

The two devices are structurally identical except for an abbreviated anode in the MODEL SA Nimo. This fore-shortened anode structure coupled with smaller characters (0.625 inch – BA; 0.35 inch – SA) allows the shaped beam of the Model SA Nimo to be *electromagnetically deflected* from its normal center-screen target; thereby displaying multiple decades. Consequently, four decades of 0.35 inch high characters are uniquely displayed on the face of the SA Nimo.

Beam deflection, decade channel selection, blanking, and BCD to decimal decoding are provided by IEE Model 7700-04 Display Logic.



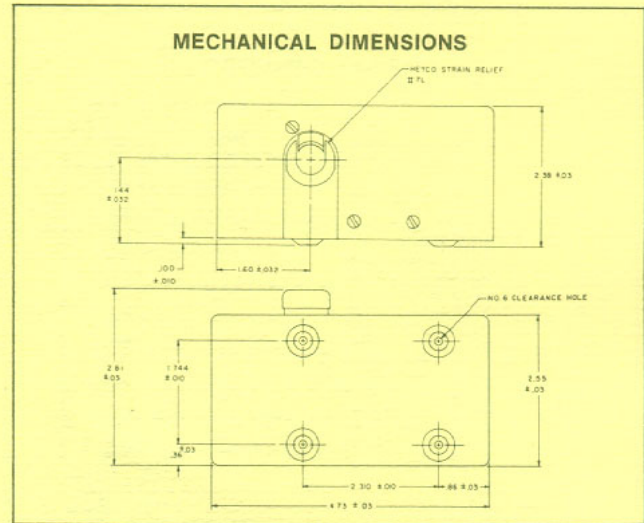
Wider viewing angle – The Nimo CRT uses a single etched mask to collect and shape beams of electrons into characters. Because the resulting image is *on* the screen, not on different planes behind it, the viewing angle approaches 180°.

Electro/Mechanical Characteristics

Electrical — Models BA and SA Nimo

Filament voltage, AC or DC 1.1V ± .15V
 Filament current 0.2 A
 Anode voltage (Normal, BA only) 1750 VDC
 Anode current (Normal, BA only) 30 microamps
 Normal brightness (Note 1) 100 FTL
 (For other than normal intensities refer to brightness vs. anode voltage curve.)
 Grid voltage (Cut-Off) (Note 2) -4.0 VDC
 Selected grid voltage (Full "On") Note 3, +3.5 VDC

Note 1—Tubes will not be replaced as a result of burned phosphor.
 Note 2—Negative grid voltage in excess of 20V not recommended.
 Note 3—Positive grid voltages drawing more than a few microamps of grid current may cause permanent screen damage.



Phosphor (Standard) P31
 Other phosphors available on special order
 Fluorescence Green
 Persistence Medium

Environmental — Models BA and SA Nimo

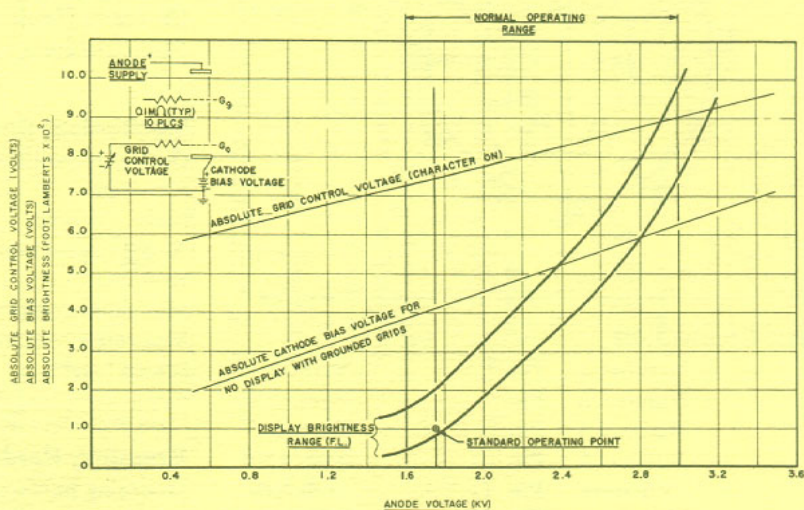
(Results of preliminary tests)
 Vibration 10-50-10 cps at .06" D.A. x1, x2 and x3 axis
 Shock 100g's 11 milliseconds
 RFI MIL-I-26600
 Life Calculated to be 25,000 hours
 at nominal brightness (Ref. VT/1002)

Power Supply Specifications

Input Voltage 117 VAC
 Input Current 90 ma
 Input Frequency 60 Hertz
 Output Anode Voltage (one Nimo), Max. 3.2 KVDC
 Output Anode Voltage (10 Nimos), Max. 2.4 KVDC
 Output Filament Voltage 1.1 VAC

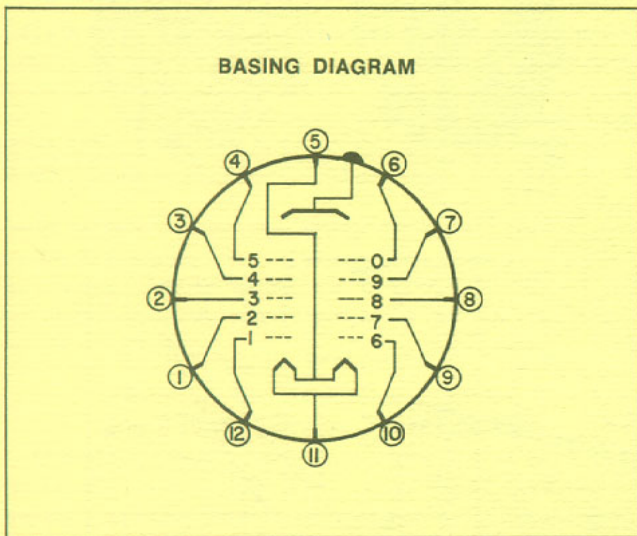
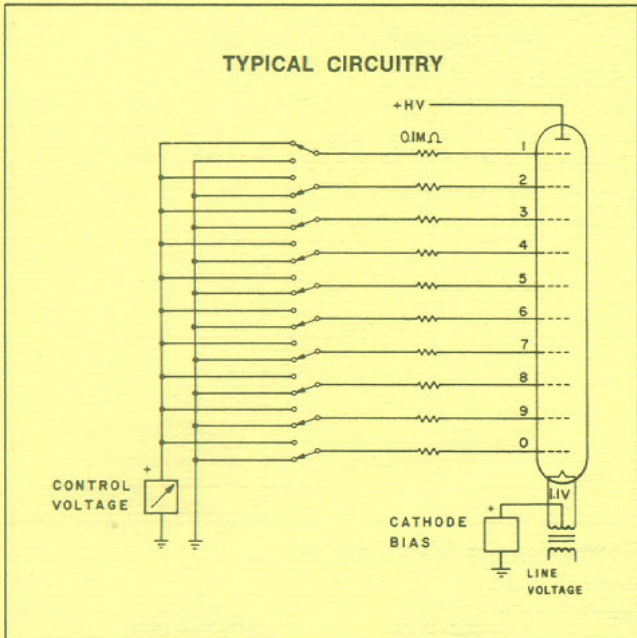
- NOTE: 1. Power supply will operate a maximum of 10 Nimos.
 2. Output voltage internally adjustable to be set at desired range. Rheostat or equivalent may be used for external brightness control.
 3. Other power supply configurations available on request. Consult factory.

NIMO CHARACTERISTICS MODEL BA



nimo

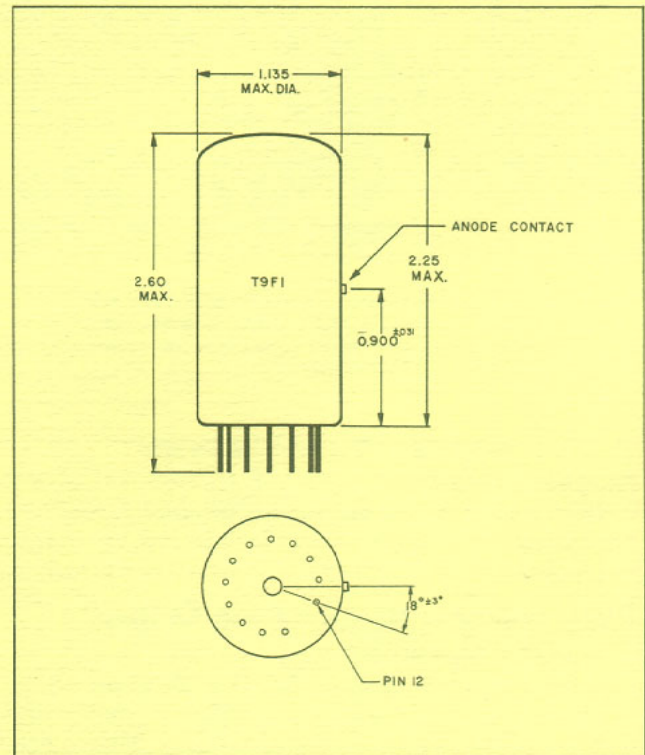
Decimal Input



Terminal Connection

| | |
|--------------------|---------------------|
| Pin 1.....Number 2 | Pin 7.....Number 9 |
| Pin 2.....Number 3 | Pin 8.....Number 8 |
| Pin 3.....Number 4 | Pin 9.....Number 7 |
| Pin 4.....Number 5 | Pin 10.....Number 6 |
| Pin 5.....Filament | Pin 11.....Filament |
| Pin 6.....Number 0 | Pin 12.....Number 1 |

Mechanical Characteristics



Display Characteristics — Model BA Nimo

Maximum number of Characters10 (0-9)
 Character Height5/8 inch
 Character Style News Gothic III
 (For other styles or symbols, consult IEE.)

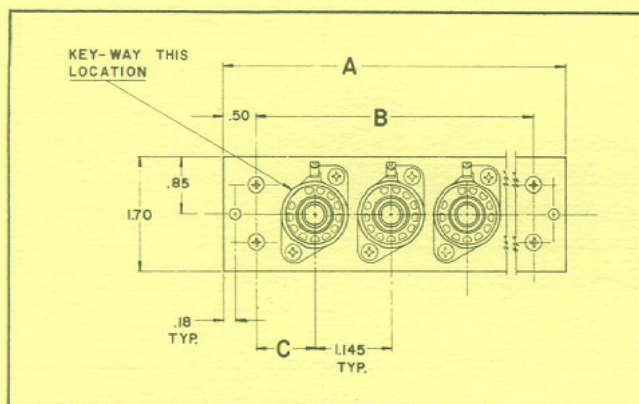
Mechanical Characteristics

Operating position Any
 Envelope T9 F 1 Special Top, Glass
 Base 12 Pin
 Anode connection Side Button
 Socket Compactron
 Maximum outside diameter1.135"
 Maximum overall length2.60"
 Seated height2.25 ±0.032"
 Reference VT/1002 for life data.

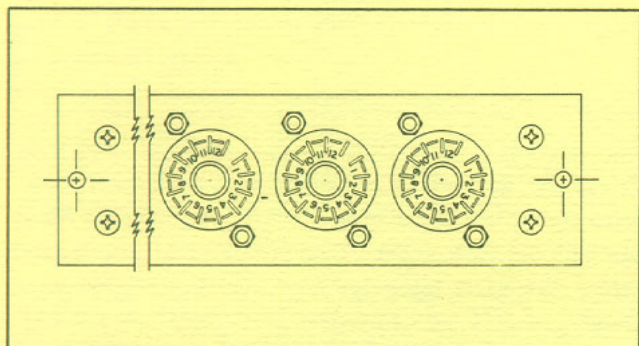
Mounting Hardware

Mounting hardware for assemblies of 1 through 10 units is considered standard, and is available from stock.

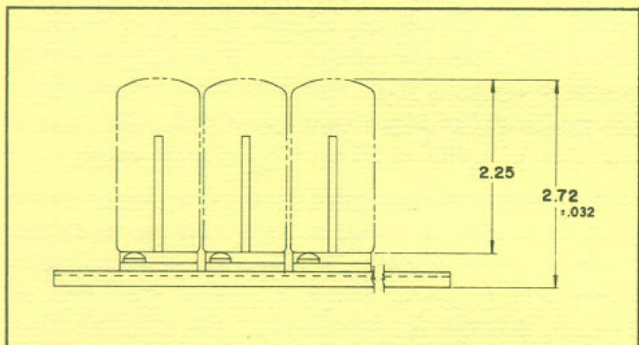
Assembly Installation



Mounting bracket (front view)

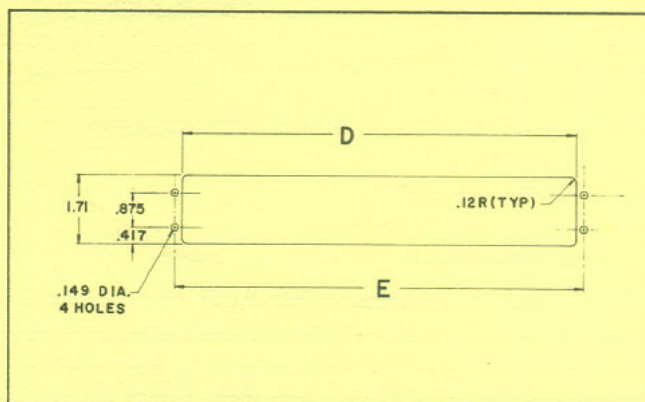


Mounting bracket (rear view) (note location of key-way.)



Mounting bracket (top view) shown with anode contacts in place.

Note: All dimensions are shown nominal.



Suggested customer panel cutout and mounting dimensions. Panel thickness .06-.25.

| NO. OF NIMO UNITS IN ASSEMBLY | ±.02 A | ±.010 B | ±.010 C | ±.010 D | ±.010 E |
|-------------------------------|--------|---------|---------|---------|---------|
| 1 | 2.86 | 1.86 | .930 | 1.46 | 1.86 |
| 2 | 3.93 | 2.93 | .892 | 2.53 | 2.93 |
| 3 | 5.19 | 4.19 | .948 | 3.79 | 4.19 |
| 4 | 6.33 | 5.33 | .948 | 4.93 | 5.33 |
| 5 | 7.67 | 6.67 | 1.046 | 6.27 | 6.67 |
| 6 | 8.67 | 7.67 | .971 | 7.27 | 7.67 |
| 7 | 9.66 | 8.66 | .896 | 8.26 | 8.66 |
| 8 | 10.91 | 9.91 | .948 | 9.51 | 9.91 |
| 9 | 12.47 | 11.47 | 1.156 | 11.07 | 11.47 |
| 10 | 13.54 | 12.54 | 1.118 | 12.14 | 12.54 |

Time Sharing

Time sharing Nimo (Reference VT/1001) is relatively simple due to Nimo's low power control characteristics. The following example has been developed relative to a 10-decade display to demonstrate the recommended circuit approach. No special considerations are required, as the standard Model BA Nimo is used.

Referring to Figure 1, the display logic is comprised of six basic elements. These are:

1. Input data channel gating
2. Data decoding
3. 10 Model BA CRT displays (like grids connected common)
4. Cathode bias control
5. Scan rate control circuitry
6. Filament and anode supplies (not shown)

Display information from ten remote BCD data sources is gated to the decoder through ten input data gates (1). This data may be changing at any rate as long as one complete scan cycle is allowed without a data value change before a static display is presented. The data to be displayed is selected by a *channel selection pulse* which is derived from the *Scan Rate Control* (5). Anode and filament voltages are derived from the respective sources.

A compatible pulse train is supplied to the *Scan Rate Control Circuit* (Note 1). This circuit produces 10 sequential signals stepped at the clock rate. Each of the 10 sequential outputs is connected to its respective *Cathode Bias Control* circuit. When each sequential output of the scan rate control is active, its output becomes low (0 volts). This output is connected to the *Cathode Bias Control* through resistor R2 and reduces the potential at the respective filament transformer center tap by the ratio of $\frac{V_b R_2}{R_1 + R_2}$ since no current is drawn by the filament transformer.

Because of the inherent phosphor decay rate, this system can be used to scan through an array of Model BA CRT display tubes at speeds in excess of 1 millisecond per tube as long as the duty cycle is maintained at 10% or greater. The result is greatly reduced control hardware costs with no degradation of performance.

The values of resistors R1 and R2 are adjusted to produce +6 V (Note 2) on the cathode of the selected display tube

Note 1: Scan rate clock to provide 1.0 ms min. on time/Nimo.

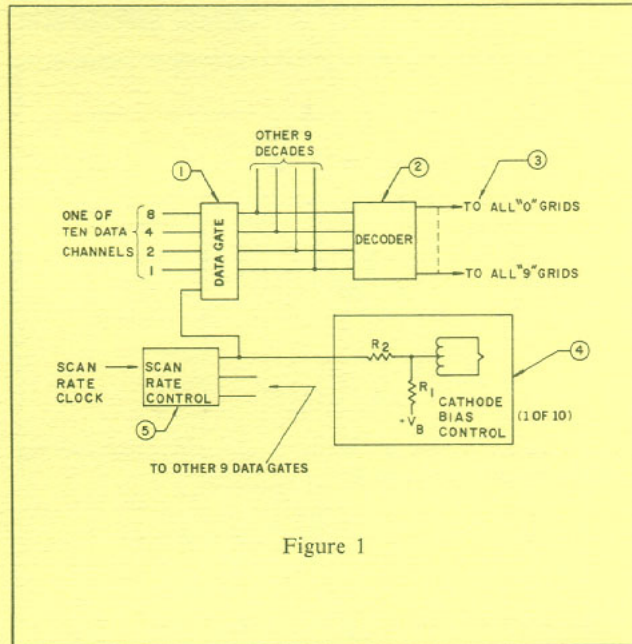


Figure 1

with respect to ground. V_b is selected to provide +18 V on the cathode, with respect to ground, when any tube is *not* selected and R2 is returned to an effective open circuit. A Nimo tube with +6 volts on the cathode (referred to ground) will display characters associated with control grids having a potential of +10 volts or greater (with respect to ground). Grounded grids will "see" a -6 volt bias and will be at "cut-off."

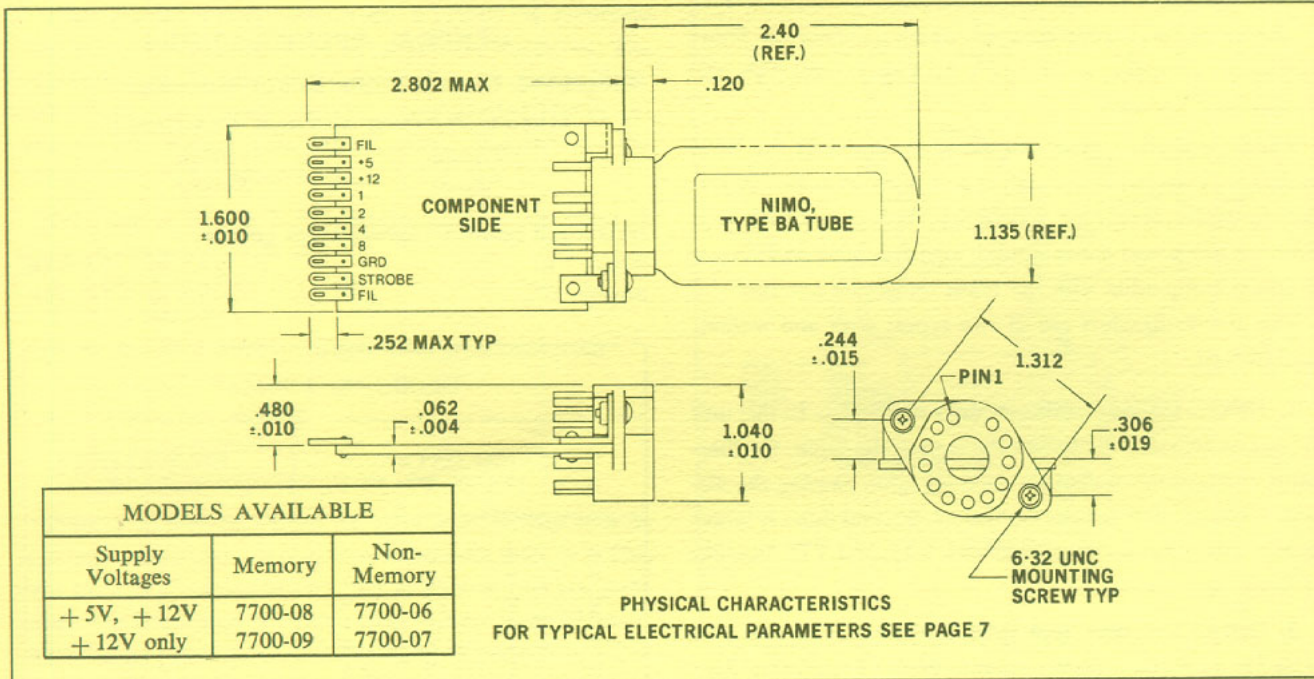
Raising the cathode voltage to +18 volts (reference ground) will inhibit normally selected grids; [10 V (selected grid) - 18 V (cathode voltage) = -8 V bias]. It is thus possible to display a single character on any desired CRT even though all like grids are connected in common and the same data is applied to all ten CRTs simultaneously.

The selection gate generated by the *Scan Rate Control* is also used (after inverting) to decode the proper decade for display on the selected CRT. Since the synchronization is automatic, no special timing is required other than as previously described in reference to the scan cycle. Also, the data may be updated asynchronously without any noticeable error in display. This, since the eye will not perceive a symbol displayed for 1/10 of a second.

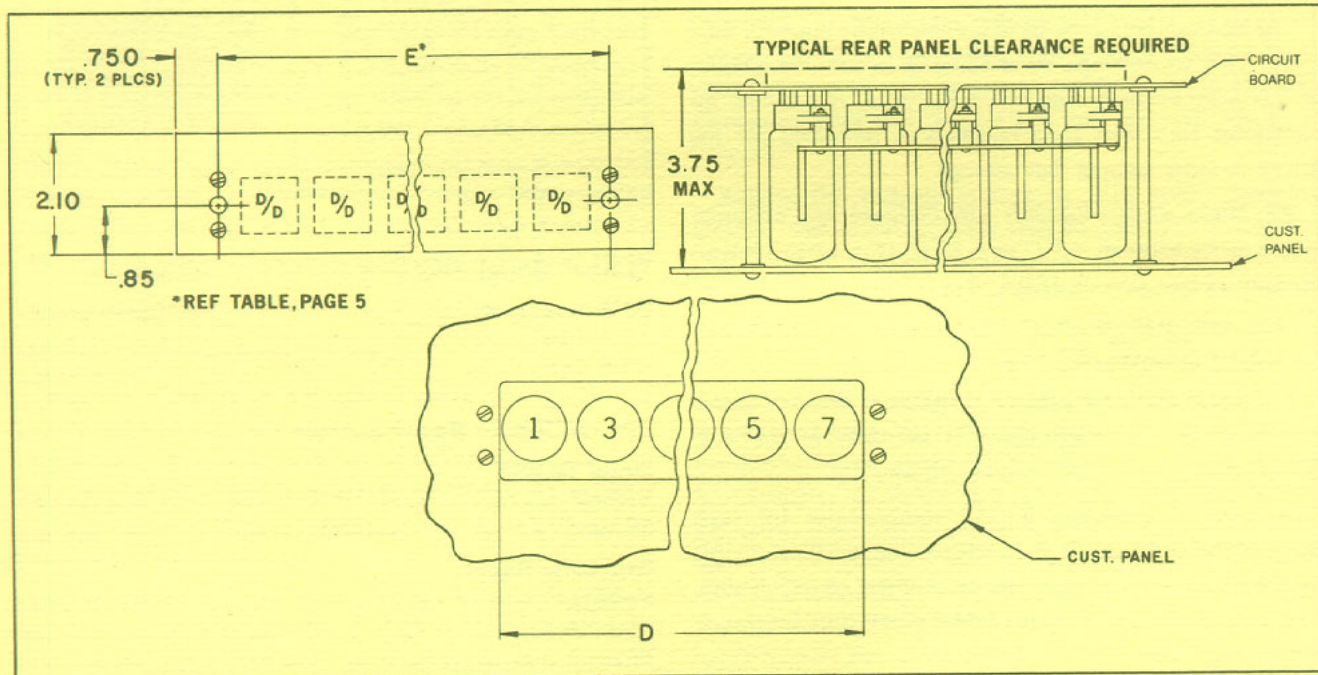
Note 2: Voltages given are approximate—see characteristic curves for additional data.

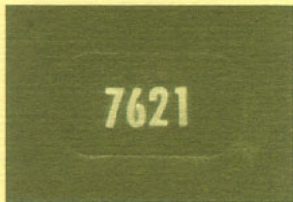
nimo

Integrated Circuit Driver/Decoder



Other driver/decoder configurations and styles are available.
Shown below is a typical multiple station assembly. Consult factory for detailed data and part numbers.





Four Decade Numerical Display (Ref VT/1003)

A complete four decade display system using the IEE Model SA Nimo is diagrammatically shown in Figure 2. The display is comprised of:

1. IEE Model SA Nimo (1 required)
2. IEE Model 7700-04 Display Logic (1 required)
3. IEE Model 7900-03 Assembly (1 required)

The display logic module (7700-04) includes the beam deflection and data decoding circuitry. The logic module is intended to mount remotely. Figure 1 defines the mechanical configuration of the Model 7900-03 Assembly.

The display logic is divided into three independent functional blocks:

- a) Sequence control
- b) Yoke control
- c) Data decoding

The sequence control accepts a "Decade Control Clock" (reference Figure 3). This clock steps a "Mod-4 Counter" (1) on Figure 2, the output of which is decoded (2) and inverted (3) to produce "Channel Control Gates" 1 through 4. These gates are used to select the decade (or channel) to be displayed as well as position the character via the "Yoke Control" (5). The "Decade Control Clock" is also used to generate the "Blanking" pulse (4). This pulse provides "Z" Axis modulation to interrupt the Nimo beam while the "Decade Control Clock" is low by driving the cathode positive, thereby biasing all grids to cutoff. When the "Decade Control Clock" is high the "Blanking" pulse is removed and the control grid voltage levels are determined by the "Data Decoder" (6).

The "Yoke Control" (5) combines the first two outputs of the "Mod-4 Counter" with the 4 "Channel Gates" to control the magnitude and direction of the current through the yoke. The current changes in four steps from a positive to a negative through the yoke, causing the beam to be magnetically deflected from left to right across the face of the Nimo.

The "Data Decoding" section (6, Fig. 2) accepts 4 line BCD data (true terms) and decodes to decimal, inverts and drives the Nimo control grids. Since only a single set of ten grids is used (allowing the decoder to be time shared) all four data channels (decades) must be digitally multiplexed onto four common lines as shown by Figure 2. The channel gate signals are used to select the channel or decade to be displayed.

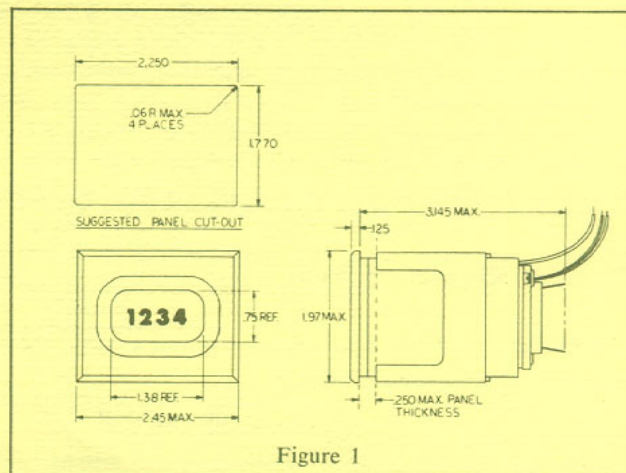


Figure 1

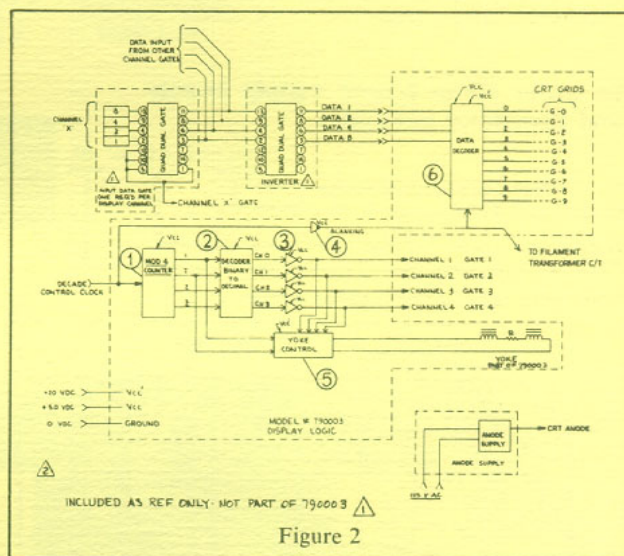


Figure 2

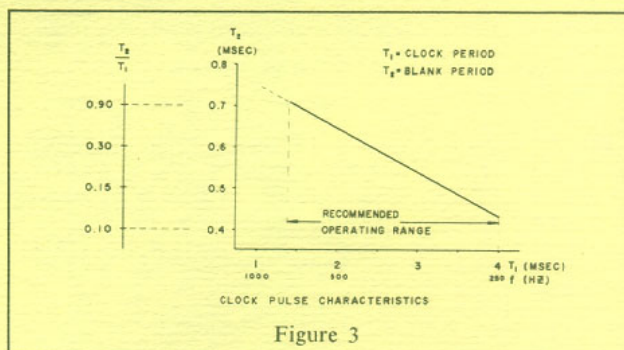


Figure 3

Ordering and Pricing Information

To order Nimo single decade

1. Tube Type _____ BA 0006 P31
 2. Character Display No. 0006 (0-9)* _____
 3. Phosphor Color _____
 Standard colors are
 Green (P31), Blue (P7), and Red (P27).
 For other types of phosphors contact IEE.

*Contact the factory for other standard character sets. If a new character mask is desired, a set-up charge is required on your first order.

To order Nimo four decade

- STANDARD FOUR DECADE NIMO _____ MODEL NUMBER SA-0029-P31 20.00
 MOUNTING HARDWARE, SCREEN BEZEL AND YOKE _____ 7900-03 20.00
 REMOTE SWEEP LOGIC AND NON-MEMORY DECODER _____ 7700-04 62.57
 DISPLAY SYSTEM _____ 7900-14 102.57
 (includes above 3 units) 18

To order Nimo power supply bezels and mounting hardware

- No. of Nimo positions _____ 5K** - 01 - 50
 Mounting Kit _____
 Bezel Color _____
 Type of Power Supply _____

** Mounting hardware (K) is 2.00 per station.

| AVAILABLE BEZEL COLORS | |
|----------------------------|---|
| Bezel assembly color code: | Similar to the following Fed. Std. No. 595 color Nos. |
| 01 Slate HC | 26231 |
| 02 Black HC | 26044 |
| 03 Smoke Grey HC | 26280 |
| 04 Light Grey HC | 26357 |
| 05 Sand HC | 23690 |
| 06 White HC | 27875 |

To order individual power supply

specify part number and dash number as below.

| Part No. | Input | | Freq. | Output | Filament |
|-----------|---------|---------|-------|----------|----------|
| | Voltage | Current | | | |
| 14549-50 | 117 VAC | 90 mA | 60 | 3.2 KVDC | 1.1 VAC |
| 14549-51 | 6.3 VAC | 1.7 A | 60 | 3.2 KVDC | 1.1 VAC |
| 14549-52 | 220 VAC | 48 mA | 50 | 3.2 KVDC | 1.1 VAC |
| 14549-53† | 117 VAC | 90 mA | 60 | 3.2 KVDC | 1.1 VAC |

† Floating Ground

Nimo Pricing (1-9)

| MODEL | DESCRIPTION | PRICE |
|-------------|------------------------|--------|
| BA-0006-P31 | Single Decade Nimo | 20.00 |
| SA-0029-P31 | Four Decade Nimo | 20.00 |
| ✓ 14549-50 | Power Supply | 18.00 |
| 14549-51 | Power Supply | 18.00 |
| 14549-52 | Power Supply | 18.00 |
| 14549-53 | Power Supply | 25.00 |
| 1-4 STA. | Bezel | 5.00 |
| 5-8 STA. | Bezel | 7.50 |
| 9-10 STA. | Bezel | 10.00 |
| 7900-03 | Mounting Hardware | 20.00 |
| 7700-04 | Remote Logic/Decoder | 62.57 |
| 7900-14 | Display System | 102.57 |
| 7700-06*** | Non Memory Decoder | 35.00 |
| 7700-07 | Non Memory Decoder 12V | 35.50 |
| 7700-08*** | Memory Decoder | 56.98 |
| 7700-09 | Memory Decoder 12V | 56.66 |

*** Req. +12 & 5.0 DC voltage.

| STANDARD DISCOUNT SCHEDULE | | | |
|----------------------------|------|-----------|-----|
| 1-9 | 100% | 100-249 | 82% |
| 10-24 | 95% | 250-499 | 78% |
| 25-49 | 90% | 500-999 | 74% |
| 50-99 | 86% | 1000-2499 | 70% |

Quantity Discounts on Extended Shipments

- To break an order down into more than one shipment, the order must total 100 or more display units.
- Each shipment must equal at least 10% of total order or 25 units (whichever is larger).
- Shipments on a particular order must be completed within 12 months from receipt of order.
- Quantity orders cancelled before completion will be billed at prices based on the price schedule for the number of displays actually shipped.

Terms and Conditions

- MINIMUM BILLING — \$15.00.
- F.O.B. — All prices F.O.B. our plant, Van Nuys, California.
- TERMS — 1/2 of 1% 10 days; net 30 days.
- DELIVERY — For standard displays, 30 days depending upon quantity.
- RETURN OF GOODS — Positively no products may be returned without factory authorization. All claims must be made within 10 days after receipt of goods.
- All prices subject to change without notice.

Schematics of IEE Model #7700-04 will be made available to customers who anticipate internal manufacture. Requests of this nature should be directed to the local IEE sales representative.

A Look to the Future....*lower cost displays*

The introduction of Nimo represented a significant technological breakthrough in the field of Information Display. It is characterized most specifically by greatly improved display capability and reduced cost per character.

A glance at the future of Nimo uncovers display system advances even more dramatic and desirable than those represented by either the single or the four-decade Nimo.

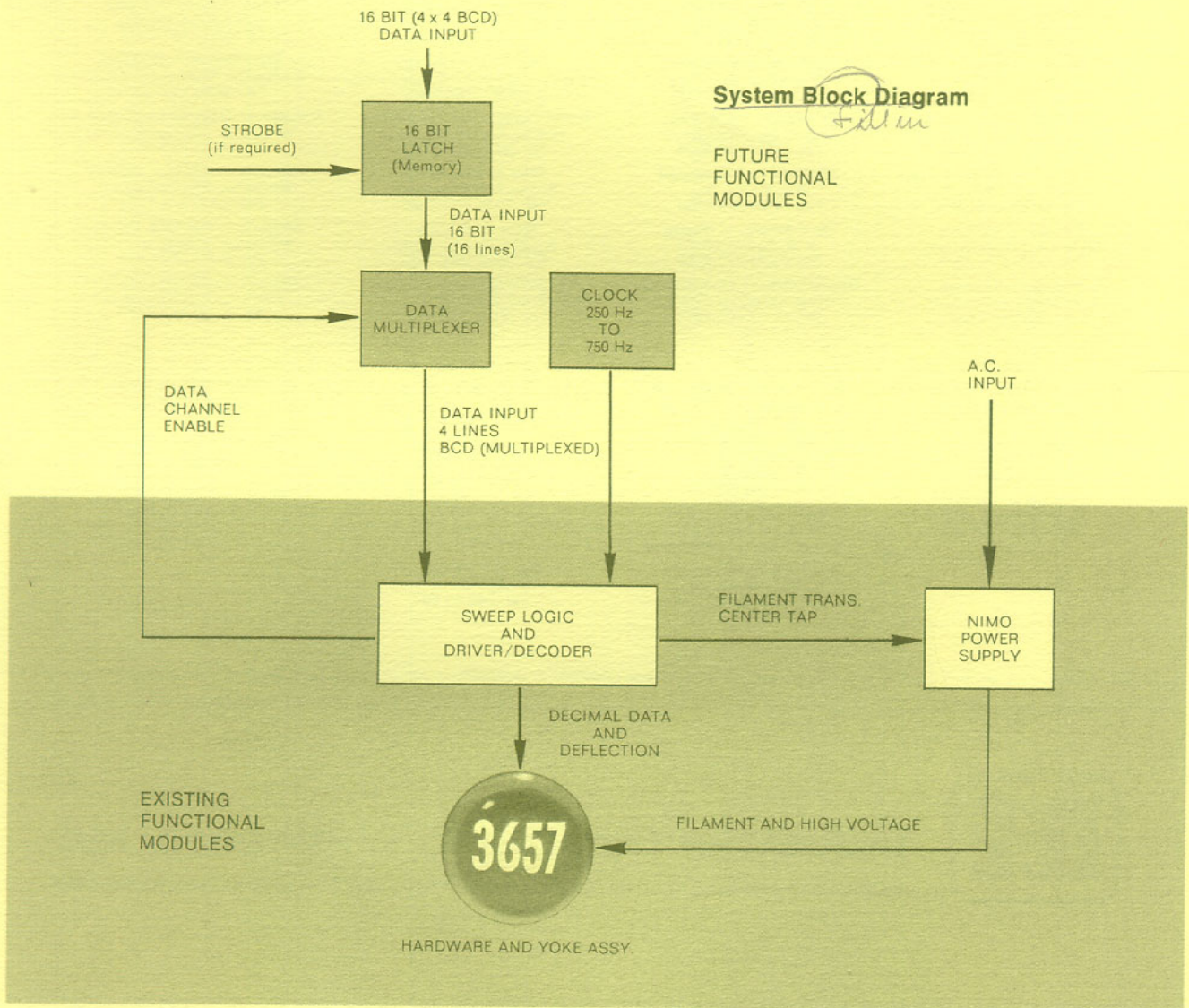
What will these be? Among many:

A six decade Nimo soon to be introduced, providing six independent decades, and costing even less per decade.

Power requirements will also be reduced.

In addition, we will soon see a Nimo that provides for punctuation within messages, plus polarity signs, slash marks and other symbols, as well as a *floating* decimal point. This will further reduce the complexity of your display system.

High among Nimo's future advances will be a 12 decade unit requiring only three square inches of panel space! The potential for Nimo is indeed unlimited. The demands of your future display needs will be enhanced every step by Nimo . . . *the uncommon readout.*



IEE SALES REPRESENTATIVES

- Alabama — Huntsville**
Mekco Associates, Inc.
Tel. (205) 881-3721
- Arizona — Phoenix**
Gramer & Company
Tel. (602) 279-1231
- California — Los Angeles**
IEE Factory Sales Office
Tel. (213) 787-0311
- California — Belmont**
IEE District Sales Office
Tel. (415) 591-2551
- California — San Diego**
L. L. Stoakes, Inc.
Tel. (714) 274-6281
- Colorado — Englewood**
Hyer Associates, Inc.
Tel. (303) 771-5424
- Connecticut — North Haven**
Kitchen & Kutchin, Inc.
Tel. (203) 239-0212
- Florida — Orlando**
Mekco Associates, Inc.
Tel. (305) 841-2215
- Illinois — Chicago**
Magnuson Associates
Tel. (312) 622-6322
- Kansas — Leawood**
Poly-Onics, Inc.
Tel. (913) 648-4173
- Maryland — Towson**
Biechler Associates, Inc.
Tel. (301) 825-8222
- Maryland — Rockville**
Biechler Associates, Inc.
Tel. (301) 762-6210
- Massachusetts — Lexington**
Kitchen & Kutchin, Inc.
Tel. (617) 862-8230
- Michigan — Southfield**
S. Sterling Company
Tel. (313) 357-3700
- Minnesota — St. Paul**
Magnuson Associates
Tel. (612) 227-8495
- Missouri — Hazelwood**
Poly-Onics, Inc.
Tel. (314) 837-0597
- New Jersey — Wayne**
B. B. Taylor Corp.
Tel. (516) 223-8000
- New Mexico — Albuquerque**
Hyer Associates, Inc.
Tel. (505) 265-5961
- New York — Baldwin**
B. B. Taylor Corp.
Tel. (516) 223-8000
- New York — Rochester**
Ossmann Component Sales Corp.
Tel. (716) 442-3290
- New York — Syracuse**
Ossmann Component Sales Corp.
Tel. (315) 454-4477
- New York — Red Hook**
Ossmann Component Sales Corp.
Tel. (914) 297-7773
- New York — Vestal**
Ossmann Component Sales Corp.
Tel. (607) 785-9949
- North Carolina — Burlington**
Mekco Associates, Inc.
Tel. (919) 226-7177
- Ohio — Cleveland**
S. Sterling Company
Tel. (216) 442-8080
- Ohio — Dayton**
S. Sterling Company
Tel. (513) 298-7573
- Pennsylvania — Narberth**
Biechler Associates, Inc.
Tel. (215) 667-1827
- Pennsylvania — Pittsburgh**
Russell F. Clark Co.
Tel. (412) 242-9500
- Texas — Dallas**
Norvell Associates, Inc.
Tel. (214) 357-6451
- Texas — Houston**
Norvell Associates, Inc.
Tel. (713) 774-2568
- Utah — Salt Lake City**
Hyer Associates, Inc.
Tel. (801) 487-7747
- Washington — Seattle**
Electronic Sales Corporation
Tel. (206) 932-0330
- Canada — West Vancouver, B. C.**
Whittaker Electronics Ltd.
Tel. (604) 926-3411
- Canada — Ottawa, Ontario**
Whittaker Electronics Ltd.
Tel. (613) 224-1221
- Canada — Roxboro, Quebec**
Whittaker Electronics Ltd.
Tel. (514) 683-3621
- Canada — Weston, Ontario**
Whittaker Electronics Ltd.
Tel. (416) 247-7454

FOREIGN:

- Austria — Maria Enzersdorf**
Re-Li-Ste G.m.b.H.
Tel. 0-22-36/4229, 3250
- Australia — Sydney**
RCA of Australia Ltd.
Tel. 61 8541
- Belgium — Antwerp**
N. V. Servitec. S.A.
Tel. (03) 774353
- Denmark — Copenhagen**
Erik Ferner AB
Tel. 31 16 07
- France — Paris**
Souriau & Cie.,
Dept. Europelec
Tel. 408-96-23
- Germany — Munich**
Wenzel Electronics
Tel. 0811 Munchen 486558
- Holland — Hilversum**
Radikor Electronics
Tel. 1 46 78 (02150)
- Israel — Ramat-Gan**
Elina Ltd.
Tel. 720715
- Italy — Milan**
Exhibo Italiana
Tel. 652966
- Japan — Tokyo**
Okaya Electric Industries, Co., Ltd.
Tel. 400-8511
- Spain Barcelona**
E.I.P.S.A.
Tel. 255 63 00
- Sweden — Stockholm**
Erik Ferner AB
Tel. 252870
- Switzerland — Zurich**
Baerlocher AG
Tel. (051) 42 99 00
- Republic of South Africa — Johannesburg**
Peter Rothenberg(Pty.)Ltd.
Tel. 22/3757/8



Industrial Electronic Engineers, Inc.

7720-40 Lemona Ave., Van Nuys, Calif. 91405 • Phone (213) 787-0311 • TWX 910-495-1707