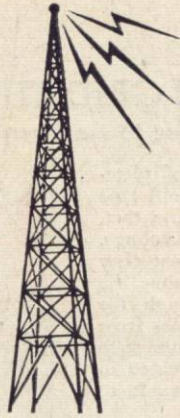




KENNYON ENGINEERING NEWS



DEVOTED ENTIRELY TO THE
AMATEUR, SERVICE ENGINEER
SOUND TECHNICIAN AND THE
EXPERIMENTER



Vol. I

FRANZ SCHWARTZ & SON
DISTRIBUTORS OF RADIO EQUIPMENT No. 2
710-712 BROADWAY,
SCHENECTADY, N. Y.

THE LIVE WIRE IN RADIO

◆ FEATURES

A NEW UNIVERSAL
POWER TRANSFORMER

—
PRACTICAL
CATHODE RAY OSCILLOGRAPH

—
PORTABLE TRANSMITTER

—
"T" PAD KEN-O-GRAF

—
COMPLETE CATALOG OF
NEW AUDIO and POWER COMPONENTS

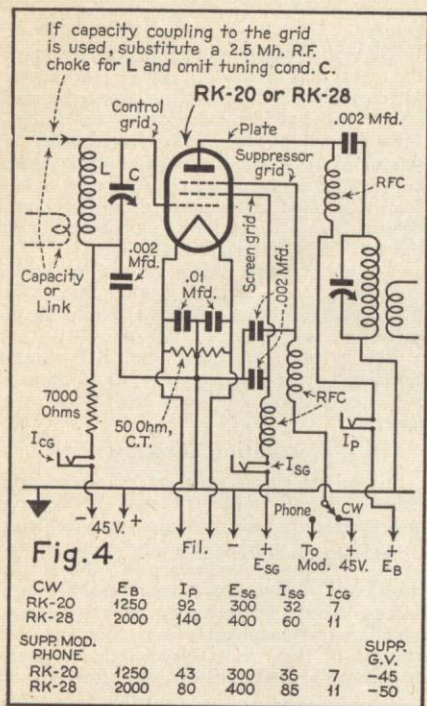


Fig. 4

CW	E _B	I _p	E _{SG}	I _{SG}	I _{CG}
RK-20	1250	92	300	32	7
RK-28	2000	140	400	60	11
SUPP. MOD. G.V.					
RK-20	1250	43	300	36	7
RK-28	2000	80	400	85	11
SUPP. G.V.					
					-45
					-50

Power R-F Pentode Amplifier

The discussion of the circuits shown can be limited because all of them are familiar to most amateurs and all have been shown from time to time in construction articles. It is hoped that the comments which follow may be of some value in the practical operation of the screen-grid tubes shown in the diagrams.

Straight 47 Crystal

Fig. 1 shows a type 47 pentode connected in the conventional straight crystal oscillator circuit. As indicated, the circuit is not adapted to doubling. A variation, used successfully over a long period of time by WIGBE has an additional plate tank tuned to twice the crystal frequency placed in series with the regular plate tank which, of course, tunes approximately to the crystal frequency. A tap from the plate end of the harmonic tank provides excitation at double frequency. It will be noted that a miniature lamp is shown connected directly in series with the crystal. This lamp, which can be a flashlight lamp or a dial lamp of the brown bead type (6V., 150 ma.) should be precalibrated by passing battery current through it and noting the brilliancy for steps of current in milliamperes up to approximately 100 ma.

When in circuit in series with the crystal, the lamp will provide a sufficiently accurate measure of R-F crystal current to warn against overloading. This arrangement has been used by many amateurs and the lamp resistance does not seem to affect crystal performance appreciably.

The Tritet

Fig. 2 shows the familiar Tritet circuit introduced by James Lamb. A great deal has been written about the Tritet and it stands out as an ideal arrangement among

the circuits available for amateur use. If used as frequency-multiplying oscillator, the 59 works satisfactorily. Where operation as a straight oscillator is desired, with the plate tank tuned to approximately the crystal frequency, tubes having less grid-plate capacitance must be used. Such tubes were not available when the Tritet circuit was announced but they are today and are recommended over the 59 unless type 59 tubes tested for R-F output are available.

Of prime importance is the L/C ratio of the cathode tank circuit; the larger the capacity is made, the better the harmonic output. Most of the mediocre results are often traceable to failure to observe this important specification.

Trouble with this circuit can almost invariably be traced to a 59 tube which may be perfectly satisfactory in an audio circuit. The R-F losses due to getter material deposited on the stem, or even to the type of getter used may be responsible. It will be noted that the cathode is "hot" or carries an R-F potential. Across the cathode tuned circuit is the capacity between the heater and the cathode, but this amounts to only 4 to 5 micromicrofarads and is of little consequence. Heater-cathode leakage, if large, would affect operation and an inactive 59 should be checked for this defect.

It will be noted that a miniature lamp is shown in series with the crystal. Since the adjustment of the cathode tank circuit is

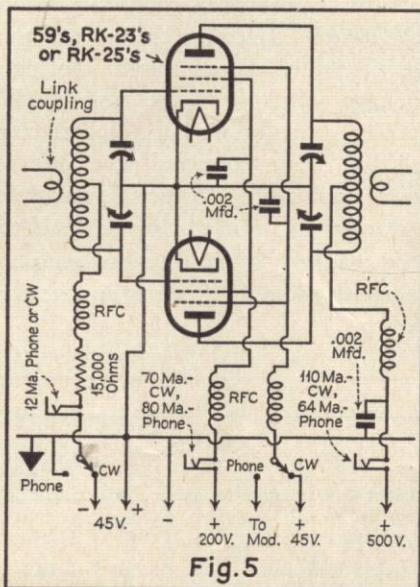


Fig. 5

Push-Pull Low Power Pentode Amplifier

used to control excitation, it is highly desirable to have some knowledge of the crystal current and the lamp will be found helpful.

R-F Amplifiers

Figs. 3, 4, 5 and 6 show arrangements in which pentodes are used as R-F amplifiers. All of the tubes can be used as doublers but the 59 is not recommended for buffer service because of its relatively high grid plate capacitance.

The approximate values of current which should flow in each circuit are shown on the diagrams. The excitation should be sufficient to produce at least the current shown for the control grid circuit. With this excitation, the screen-grid current will have a value approximately as shown and it should be possible to loop the plate circuit to the current value indicated.

Over-excitation is fully as bad as under-excitation in a pentode used as an R-F amplifier. This is true because the screen-grid circuit contains no impedance to R-F and over-excitation increases the flow of screen current to values which cause overheating of the screen and the waste of considerable power. The most noticeable effect of over-excitation is a loss of power in the plate circuit due to the diverting of more than the proper share of the available filament or cathode electrons to the screen circuit. Thus, it may be seen that the screen grid current is a good indicator of proper excitation.

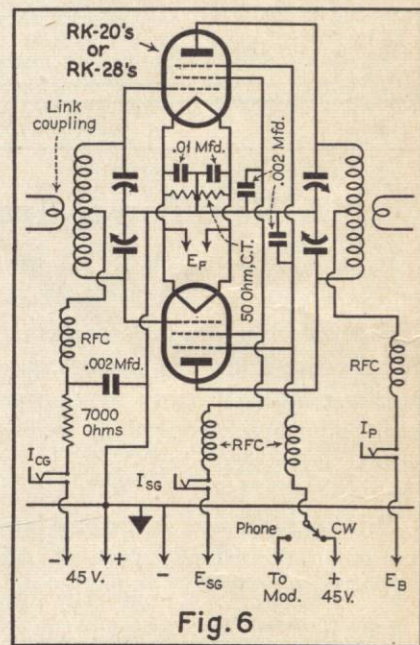


Fig. 6

Push-Pull Power R-F Pentode. Values of I_{CG}, I_{SG} and I_p are twice corresponding current values shown in the Tables of Fig. 4. All voltages the same.

Biasing

In Figs. 3 and 5, a switch is shown in the control-grid return circuit arranged to connect the grid leak either to ground or phone or to 45 volts negative for CW. The purpose is to bring the plate and screen current to zero when the excitation is removed as in oscillator keying. Where the plate and screen voltage is cut off by the key, the grid leak can be connected direct to ground. Figs. 4 and 6, which show power arrangements, call for a fixed negative bias of 45 volts in addition to the bias developed across the grid leak. This is advisable since high voltages are used on the plate and loss of excitation would permit an undesirable high plate and screen current. While covering the subject of control-grid bias, it might be pointed out that the bias voltage required is determined by the

The Practical Solution To The Power Supply Problem

PROBABLY the biggest bug-a-boo in radio is the ever-existing menace of obsolescence. Of course, in such a modern industry new developments are constantly being born, and the older methods are soon discarded to make room for the later developments.

However, from the experimenter's point of view, obsolescence is quite expensive, especially when it involves the discarding of perfectly good equipment. New tubes are superior to existing types, but due to different voltages and circuit applications, changes in associated equipment are often necessary. In many instances the changes in r.f. and audio circuits are inexpensive. Moreover, a change in these circuits usually necessitates a change in the power supply. This is often the most expensive unit in the entire circuit, regardless of the application.

Universal Transformer

In transmitters or high-power public-address systems the low-power tubes require exceptionally good filtering to keep hum level as low as is consistent with good practice. If these low-level stages derive their voltage supply from the high-voltage system it is necessary to thoroughly filter the entire power supply, not only to eliminate hum but also to prevent feedback. Of course, this may be eliminated by filtering a small section that supplies only the lower level tubes. This method, however, jeopardizes condensers and resistors should the load be removed from this section.

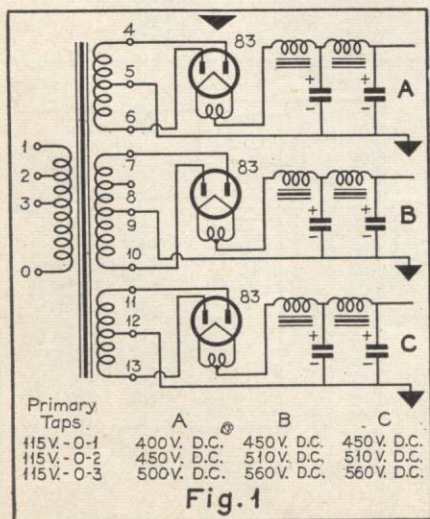
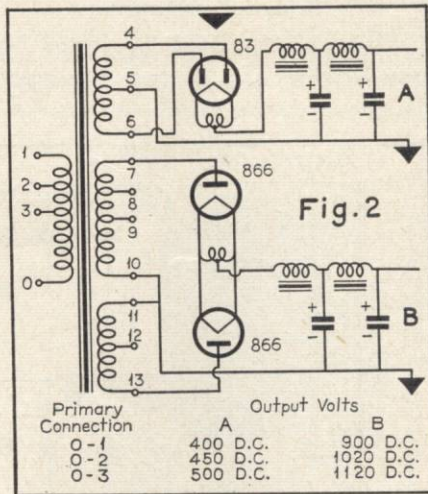


Fig. 1

Multiple-voltage power-supply circuits using type 83 rectifiers and operating from a single power transformer (filament transformer separate.)



High- and low-voltage power supply using a single 83 and two 866s in full-wave connection, both circuits supplied from a single power transformer (filament supplies separate).

Another method to eliminate this hazard is to use a separate transformer for the input or low-level stages. The drawback to this procedure is the excessive cost and is therefore not usually practical.

The answer lies in the use of a new type of transformer that permits any existing type of rectification in a practical and economical manner.

Voltages Available

The voltages available from this transformer range from 400 volts up to 3000 volts depending upon the type of circuit used. In the schematic (Fig. 1) three separate d.c. supplies ranging from 400 to 560 volts may be obtained. By means of a primary tap these voltages may be varied approximately 12 per cent. This circuit will supply adequate power to three separate audio or r.f. units.

In applications where it is necessary to have a separate low voltage and a high voltage, the circuit shown in Fig. 2, utilizing two 866 tubes and a type 83, is not only economical but very practical for many uses in amateur transmitters and experimental circuits.

Fig. 3 shows a similar application with the exception that the high-voltage supply is obtained from three low cost 83 type tubes in a bridge arrangement. In this application the high voltage supply delivers 140% of full wave rated value. The same voltages are also obtainable in Fig. 4. In this circuit the center tap of one of the high-voltage windings is connected to the filament of a type 83 tube, thereby forming a series connection.

By far the most versatile circuit is shown in Fig. 5. A single 83 is used for low voltage and two 866's connected for full-wave rectification supply the high voltage. Usually when this circuit is used in existing equipment two power transformers are re-

quired to accomplish what one will do with this new transformer.

Where higher voltages are desired the circuit of Fig. 6 may be used. This arrangement will supply a d.c. voltage as high as 1020 volts. In a circuit where such high voltages are used it is common practice to supply a lower power stage with a lower voltage. This is obtained from a separate winding using a type 83 full-wave rectifier.

High Voltages

For maximum volts per dollar expended the circuit of Fig. 7 is ideal for those whose pocketbooks are limited. A glance shows two of the high voltage windings connected in series. For rectification two type 83 tubes are connected in tandem. Low voltage is obtained from the other winding with another 83 tube. When it is not desired to utilize the low voltage the three windings may be connected in series. When used as shown in Fig. 8, with two 866 tubes, voltages ranging from 1300 to 1620 volts are procurable.

A still cheaper method of obtaining the same voltages is shown in Fig. 9. Here the outputs of three type 83 tubes are connected in series. In this circuit it is essential that the filament transformer supplying the 83 tubes be adequately insulated to withstand the high voltages.

Perhaps surpassing all circuits shown is the application in Fig. 10. In this circuit 21 different voltages are available. In transmitter use there is sufficient power available to supply anything from a five-watt up to a 500-watt rig. In addition to this a separate low-voltage supply may be taken off of the secondary winding marked 4, 5 and 6, when the high-voltage requirements are not over 2240 volts.

The above application refers to our triple winding power transformers, Type T658 and Type T659. Transformer T658 is rated to supply 175 MA. from each winding. Transformer T659 is similar to the above but designed for heavier current supplies. This unit will supply 350 MA. from each winding.

Another transformer similar to these units is Type T654. This unit is also a triple winding plate transformer which delivers 250 MA. from each winding. However, the voltages available from this unit differ as shown below.

T658-T659	T654
520-0-520	490-0-490
570-0-570	630-0-630
570-0-570	630-0-630

Thus it is seen that the 490 volt winding supplies rectified voltages 7% lower and the 630 volt windings 11% higher than the voltages shown in the 11 schematics.

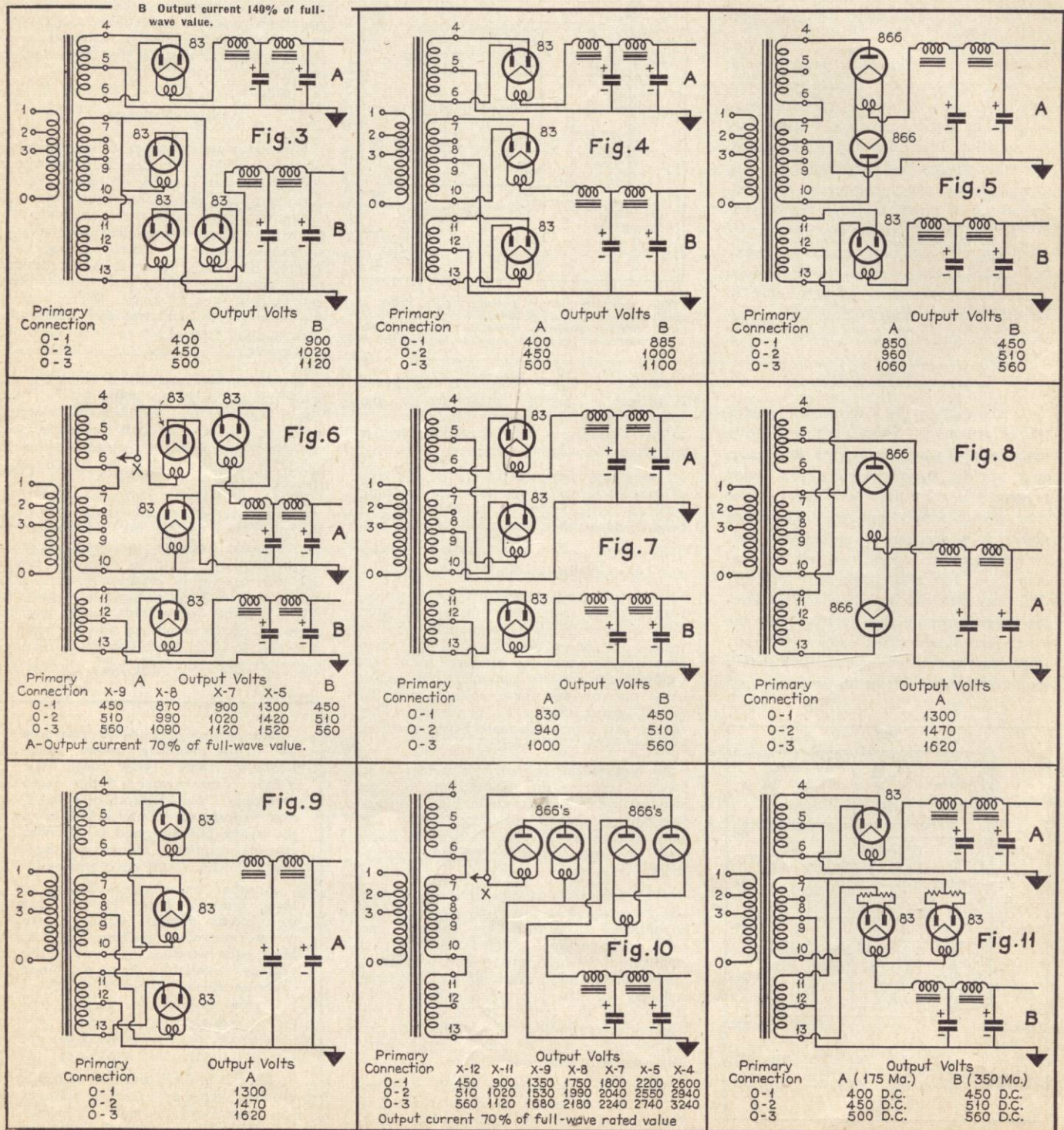
For circuits requiring exceptionally high current where the voltage requirement does not exceed 560 volts, the circuit shown in Fig. 11 is admirably suited. By connecting two of the windings in parallel the current supply is doubled in the portion of the circuit marked "B." The usual low voltage

is available from the third winding and will supply the full current ratings of the transformer.

Bridge Rectification

While this description only covers the more common types of rectification appli-

cations the amateur and experimenter will no doubt find other interesting applications. It should be noted in all applications where bridge rectification is used that the maximum output obtainable should never exceed 70 per cent of the rated output of the transformer.



Group of circuits showing the many combinations that may be had with a single universal power transformer (minus filament supply) for the purpose of deriving separate voltages of different values for the various stages of a transmitter or high-power public-address system.

KENYON AMATEUR TRANSMITTER AND PUBLIC ADDRESS COMPONENTS

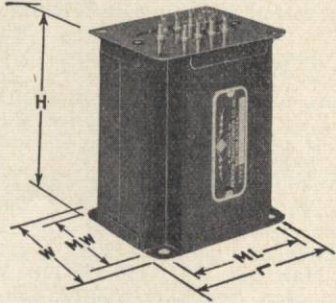
Kenyon engineers have designed this complete line of audio and power transformers and reactors to make possible a popular priced line particularly suited for amateur transmitter and public address use.

Refinements in design and controlled production result in units which are unapproachable for quality in material of this price range.

Each unit is housed in a metal case finished in a durable black eggshell enamel presenting a pleasing appearance to suit exacting commercial requirements. This case also acts as an electrostatic and electromagnetic shield.

Universal mounting facilities permit all units to be top or bottom mounted to chassis or panels.

With the exception of the high voltage units which are provided with glazed ceramic insulators all units are provided with sturdy solder lug terminals.

Case	Mounting Dimensions		T LINE DIMENSIONS	Overall Dimensions		
	ML	MW		Length	Width	Height
1A	2 $\frac{3}{8}$	1 $\frac{1}{8}$		2 $\frac{7}{8}$	2	2 $\frac{7}{8}$
2A	2 $\frac{1}{2}$	1 $\frac{1}{8}$		2 $\frac{3}{4}$	2 $\frac{3}{8}$	3 $\frac{1}{8}$
3A	2 $\frac{7}{8}$	1 $\frac{1}{8}$		3 $\frac{1}{8}$	2 $\frac{1}{8}$	3 $\frac{3}{8}$
4A	3 $\frac{1}{8}$	2 $\frac{1}{8}$		4 $\frac{1}{2}$	3	3 $\frac{7}{8}$
5A	4 $\frac{1}{8}$	3 $\frac{1}{8}$		5	3 $\frac{3}{8}$	5
6A	4 $\frac{1}{2}$	4 $\frac{1}{8}$		5	5 $\frac{1}{8}$	5
7A	5 $\frac{1}{2}$	4 $\frac{1}{8}$		6 $\frac{1}{8}$	5 $\frac{1}{8}$	6 $\frac{3}{8}$
8A	5 $\frac{3}{4}$	4 $\frac{1}{8}$		6 $\frac{1}{8}$	5 $\frac{1}{2}$	7 $\frac{1}{8}$
9A	6 $\frac{1}{8}$	5 $\frac{3}{4}$		7 $\frac{3}{4}$	6 $\frac{5}{8}$	7 $\frac{1}{8}$
10A	8 $\frac{3}{8}$	7 $\frac{1}{2}$		9 $\frac{1}{2}$	8 $\frac{1}{4}$	10 $\frac{3}{8}$

Type	Description	Case	List Price
T-1	Single or double button microphone to one grid Input—400-300-200-100-50 ohms. Hum bucking type	1A	\$4.00
T-2	Multiple line to one grid. Input—500-333-250-200-125-50 ohms. Hum bucking type	1A	4.00
T-3	Multiple line to P. P. grids. Input—500-333-250-200-125-50 ohms. Hum bucking type	1A	4.00
T-4	Detector plate, high impedance pickup, or double button microphone to single grid	2A	5.00

INPUT TRANSFORMERS

Type	Description	Case	List Price
T-25	Line to line matching transformer. Primary—500-200-50 ohms Secondary—500-200-50 ohms	2A	5.00
T-27	500 or 200 ohms to 15-8-4 ohms—Level 15 watts	3A	5.00
T-28	500 or 200 ohms to 15-8-4 ohms—Level 30 watts	4A	6.00
T-29	500 or 200 ohms to 15-8-4 ohms—Level 60 watts	5A	9.00

LINE TRANSFORMERS

CLASS "A" INPUT TRANSFORMERS

T-51	Single Class A Plate 56, 76, 6C5, 77 (triode) 6C6 (triode) etc. to single Class A Grid. Ratio 1:4	1A	3.50
T-52	Single Class A Plate 56, 76, 6C5, 77 (triode) 6C6 (triode) etc. to P. P. Class A Grids. Ratio 1:4 (total pri. to total sec.)	1A	3.50
T-53	Detector plate or single button microphone to single grid	1A	3.50
For portable applications use open type KA114M. List Price \$2.25			
T-54	P. P. Class A Plates 56, 76, 6C5, 77 (triode) 6C6 (triode) etc. to P. P. Class A Grids. Ratio 1:1.8 (total pri. to total sec.)	2A	4.50
T-55	Single Class A Plate 56, 76, 6C5, 77 (triode) 6C6 (triode) etc. to single Class A Grid. Ratio 1:3	2A	4.50
T-56	Single Class A Plate 56, 76, 6C5, 77 (triode) 6C6 (triode) etc. to P. P. Class A Grids. Ratio 1:2 (total pri. to total sec.)	2A	4.00
T-57	Single Class A Plate 56, 76, 6C5, 77 (triode) 6C6 (triode) etc. to single Class A Grid. (Ratio 1:2.) Hum bucking type	2A	5.00
T-58	Single Class A Plate 56, 76, 6C5, 77 (triode) 6C6 (triode) etc. to P. P. Class A Grids. Ratio 1:2 (total pri. to total sec.) Hum bucking type	2A	5.00

CLASS "AB" AND "B" INPUT TRANSFORMERS

T-251	Single 53, 6A6, 56, 6C5, etc. to P. P. 53, 6A6, etc. (Single 53, 6A6, etc. in P. P.)	2A	4.50
T-252	Single 30, 49, 89 to P. P. 19, 30, or 49's	1A	3.50
For portable applications use open type KR19. List Price \$1.50			
T-253	Single 46 or 59 to P. P. 46's or 59's, 6F6's, etc.	2A	4.50
T-254	Single 45, 6F6, 2A5, 42, etc. to P. P. 6F6, 45's, 2A5's, 42's, etc.	2A	4.50
T-255	P. P. 56, 76, 6C5, 53, 6A6, 6N7 to P. P. 6L6's	2A	4.50
T-256	P. P. 56, 76, 6C5, to P. P., 45's, 2A3's, 6F6's, etc.	2A	4.50
T-257	P. P. 45's to P. P. Parallel 46's	2A	4.50
T-258	P. P. 45's to P. P. 800's	3A	5.00
T-259	P. P. 2A3's to P. P. 203A's, 838's etc.	4A	6.00
T-260	P. P. parallel 2A3's to P. P. H.D. 203A's, P. P. Parallel 838's etc	4A	8.00
T-271	P. P. 45's, 2A3's, 6F6's (triode) to P. P. Class AB ₂ 6L6's	3A	5.00

CLASS "A" OUTPUT TRANSFORMERS

T-101	Single Class A Plate 56, 76, 6C5, 77 (triode) 6C6 (triode) etc. to 500 or 200 ohms	1A	3.50
T-102	P. P. Class A Plates 56, 76, 6C5, 77 (triode) 6C6 (triode) etc. to 500 or 200 ohms	1A	3.50
T-103	P. P. 45's, or 43's to 500-200 or 15-8-4 ohms	2A	5.00
T-104	Single 2A5, 6F6, 89, 47 etc. to 500-200 or 15-8-4 ohms	2A	4.50
T-105	P. P. 2A5, 6F6, 89, 47 etc. to 500-200 or 15-8-4 ohms	2A	5.00
T-106	P. P. 6B5, 2B6, to 500-200 or 15-8-4 ohms	3A	5.50

CLASS "AB" AND "B" OUTPUT TRANSFORMERS

Type		Case	List Price
T-301	P. P. 45's, 2A3's (Class AB) 6L6's (Class A) to 500-200 or 15-8-4 ohms. Primary 5000 or 3000 ohms	4A 3A	\$6.00 5.50
T-302	P. P. 6N7, 53, 49's, 19 to 500-200 or 15-8-4 ohms		
T-303	P. P. 46, 59's, 6F6's (triode or pentode) 2A5's, 42's to 500-200 or 15-8-4 ohms. Primary 6000 or 10,000 ohms	4A 4A	6.00 8.00
T-304	P. P. Parallel 45's, 2A3's, to 500-200 or 15-8-4 ohms. Primary 1500 or 2500 ohms		
T-305	P. P. Parallel 46's, 59's, 6F6's (triode or pentode) 2A5's, 42's to 500-200 or 15-8-4 ohms. Primary 3000 or 5000 ohms	4A 4A	8.00 8.00
T-317	P. P. 6L6's Class AB ₁ (6600 or 3800 ohms—34 watts) to 500-200 or 15-8-4 ohms	5A	8.50
T-319	P. P. 6L6's AB ₂ (6000 or 3800 ohms—60 watts) to 500-200 or 15-8-4 ohms		

MODULATION OUTPUT TRANSFORMERS

T-451	Class B 6N7, 53, 6A6, RK34, to 5000 or 3000 ohms. Max. Sec. D. C. 100 M.A.	2A	4.50
T-452	Class B 19, to 5000 or 3000 ohms. Max. Sec. D.C. 50 M.A.	1A	3.50
For portable application use open type KR19M. List Price \$1.50			
T-453	Class AB 2A3's, 45's or Class A, 6L6's to 5000 or 3000 ohms. Max. Sec. D.C. 130 M.A.	4A	8.50
T-454	Class B 46's or 59's, 6F6's (triode or pentode) 2A5's, 42's etc. to 4000-6000-8000 ohms. Max. Sec. D.C. 140-100-75 M.A. Primary 6000 or 10,000 ohms	4A 5A	8.50 10.00
T-455	Class B—210's to 5000-7000-9000 ohms. Max. Sec. D.C. 180-150-130 M.A.	5A	10.00
T-456	P. P. Parallel 45's or 2A3's Class AB to 5000-7000-9000 ohms. Max. Sec. D.C. 150-100-75 M.A.		
T-457	P. P. Parallel 46's, 59's, 6F6's, (triode or pentode) 2A5's, 42's etc. to 3000-5000-7000 ohms. Max. Sec. D.C. 220-160-120 M.A. Primary 3000 or 5000 ohms	5A 7A	10.00 25.00
T-465	P. P. 838's, 203A's to 4000-6000-8000 ohms. Max. Sec. D.C. 400-320-270 M.A.	8A	42.00
T-470	P. P. H.D. 203A's to 4000-6000-8000 ohms. Max. Sec. D.C. 500-400-350 M.A.	2A	4.50
T-490	Single 2A5, 42 or 6F6 grid modulation transformer to grid modulate 203A's, 211's, etc.	2A	4.50
T-491	Single 45 grid modulation transformer to grid modulate 203A's, 211's, etc.	6A	12.50
T-458	P. P. 801's to 5000-7000-9000 ohms. Max. Sec. D.C. 150-135-110 M.A.	6A	15.00
T-460	P. P. 800's to 6000-8000-10,000 ohms. Max. Sec. D.C. 200-175-150 M.A.	3A	5.00
T-492	Grid or suppressor modulation transformer—P. P. 45's to 10,000 ohm load	5A	8.50
T-459	P. P. 6L6's Class AB ₂ to 2500-5000-7000 ohms. Max. Sec. D.C. 300-250-200 M.A.		

SWINGING REACTORS

Type No.	Inductance Henries	Max. MA.	D.C. Resistance	Re-insulation Test	Case No.	List Price
T-155	290	10	4700	1000 V.	2A	\$4.00
T-158	*350	10	10000	1000 V.	3A	4.50
T-156	30	25	800	1000 V.	1A	3.00
T-157	20	50	200	1000 V.	1A	3.00
T-153	30	90	350	1000 V.	3A	3.50
T-154	15	165	210	1000 V.	3A	4.00
T-152	10	200	100	1000 V.	3A	4.00
T-164	14	250	135	1500 V.	5A	9.00
T-166	11	300	125	1500 V.	5A	9.00
T-159	12	500	77	1500 V.	6A	12.50
T-165	10	150	275	3000 V.	3A	4.00
T-168	13	250	125	3000 V.	5A	10.00
T-160	11	300	120	3000 V.	5A	10.00
T-167	11	400	80	3000 V.	6A	12.00
T-175	10	200	140	5000 V.	4A	7.00
T-176	10	300	110	5000 V.	5A	11.00
T-178	10	400	90	5000 V.	6A	15.00
T-177	12	500	95	5000 V.	7A	18.00

*Center tapped.

FILTER REACTORS

PLATE TRANSFORMERS

Type No.	Primary	A.C. Secondary Volts	D.C. MA.	Case	List Price
T-664		740-0-740	150	5A	\$8.00
T-655	*Tapped	460-0-460	250	5A	9.00
T-656	*Tapped	740-0-740	300	6A	12.00
T-657	†Tapped	900-0-900	200	7A	26.00
		900-0-900	200		
T-658	‡Tapped	520-0-520	175	7A	21.00
		570-0-570	175		
		570-0-570	175		
T-654	‡Tapped	490-0-490	250	8A	30.00
		630-0-630	250		
		630-0-630	250		
T-659	‡Tapped	520-0-520	350	8A	30.00
		570-0-570	350		
		570-0-570	350		
T-665	*Tapped	1180-0-1180	250	7A	22.00
T-666		1460-0-1460	350	8A	26.00
T-667		1460-0-1460	500	9A	34.00
T-660		1460-0-1460	500	9A	38.00
		630-0-630	200		
T-661		2080-0-2080	200	7A	22.00
T-662		2080-0-2080	300	8A	30.00
T-663		2360-0-2360	600	10A	70.00

*Primary tapped to increase the above secondary voltages approximately 25%.

†Primary tapped to increase the above secondary voltages approximately 30%.

‡Primary tapped to increase the above secondary voltages approximately 12.5% and 25%.

PLATE AND FILAMENT TRANSFORMERS

Type No.	Sec. Volts	D.C. MA.	F1	F2	F3	F4	Case	List Price
*T-249	235-0-235	20	6.3V.-.6A.CT	6.3V.-.9 A.CT.			2A	\$4.50
*T-245	320-0-320	40	5 V.-2 A.	6.3V.-.2 A.CT.			3A	5.00
§T-201	0-75	70	5 V.-2 A.				2A	4.50
*T-205	350-0-350	75	5 V.-2 A.	6.3V.-3 A.CT.			4A	6.50
*T-206	325-0-325	100	5 V.-3 A.	6.3V.-3 A.CT.	6.3V.- 2 A.CT.		5A	8.50
T-212	420-0-420	125	5 V.-3 A.	6.3V.-3 A.CT.	2.5V.- 4 A.CT.		5A	9.50
T-214	420-360-125-0-360-420	150	5 V.-3 A.	2.5V.-3 A.CT.	2.5V.- 5 A.CT.	6.3V.-3 A.CT.	5A	10.00
*T-244	425-0-425	165	5 V.-3 A.	6.3V.-3 A.CT.	6.3V.- 3 A.CT.		6A	12.00
*T-248	425-0-425	165	5 V.-3 A.	2.5V.-6 A.CT.	2.5V.- 6 A.CT.		6A	12.00
T-213	520-110-0-520	180	5 V.-3 A.	2.5V.-3 A.	6.3V.- 3 A.CT.	6.3V.-3 A.CT.	5A	11.50
T-215	360-125-0-360	200	5 V.-3 A.	2.5V.-3 A.CT.	2.5V.-10 A.CT.	6.3V.-2.1A.CT.	5A	11.50
T-247	590-0-590	200	5 V.-3 A.	6.3V.-3 A.CT.	6.3V.- 3 A.CT.		5A	12.00
T-216	520-85-0-520	250	5 V.-3 A.	2.5V.-3 A.	6.3V.- 3 A.CT.	6.3V.-3 A.CT.	6A	13.00
†T-207	0-275-375	10 } 6 }	6.3V.-.6A.	6.3V.-1 A.	2.5V.- 1.4A.		3A	4.00
‡T-202	0-150	20	6.3V.-.6A.				1A	4.00
§T-220	125-0-125	200	5 V.-3 A.				4A	6.00
T-246	625-0-625	250	5 V.-3 A.	6.3V.-3 A.CT.	6.3V.- 3 A.CT.		6A	13.00

*Indicates unit designed for condenser input to filter. (All other units should be used with choke input.)
 †For RCA 913 Midget Cathode Ray Tube. ‡For oscillators, wave meters, etc. §For bias supplies.

FILAMENT TRANSFORMERS

Type No.	F1	F2	F3	F4	Case No.	List Price
Single Winding						
T-352	2.5 V.-10 A. CT. 2000 V. Test				2A	\$4.00
T-354	5 V.-3 A. CT. 2000 V. Test				2A	4.00
T-351	6.3 V.-3 A. CT. 2000 V. Test				2A	4.00
T-353	7.5 V.-4 A. CT. 2000 V. Test				2A	4.00
T-357	5.25 V.-12 A. CT. 2000 V. Test				4A	6.00
T-358	5.25 V.-20 A. CT. 2000 V. Test				5A	8.00
T-360	2.5 V.-10 A. CT. 5000 V. Test				3A	6.00
T-365	10 V.-4 A. CT. 5000 V. Test				3A	6.50
T-361	10 V.-8 A. CT. 5000 V. Test				4A	8.00
Two Windings						
T-366	2.5 V.-10 A. CT. 5000 V. Test	2.5 V.-10 A. CT. 5000 V. Test			4A	8.00
T-363	10 V.-6.5 A. CT. 5000 V. Test	10 V.-3.25 A. 5000 V. Test			5A	9.00
T-362	11-12 V.-8 A. CT. 5000 V. Test	10-11 V.-3.5 A. CT. 5000 V. Test			5A	11.00
Three Windings						
T-364	2.5 V.-8 A. CT. 750 V. Test	2.5 V.-10 A. CT. 750 V. Test	5 V.-6 A. 750 V. Test		4A	7.00
T-356	6.3 V.-3 A. CT. 750 V. Test	5 V.-4 A. CT. 3000 V. Test	5 V.-8 A. CT. 3000 V. Test		4A	9.00
T-355	5 V.-3 A. CT. 4000 V. Test	5 V.-3 A. CT. 4000 V. Test	5 V.-6 A. CT. 4000 V. Test		4A	7.50
T-375	2.5 V.-5 A. CT. 6000 V. Test	2.5 V.-5 A. CT. 6000 V. Test	2.5 V.-10 A. CT. 6000 V. Test		4A	9.00
Four Windings						
T-373	2.5 V.-5 A. CT. 750 V. Test	5 V.-3 A. 750 V. Test	7.5 V.-3.25 A. CT. 3000 V. Test	7.5 V.-8 A. CT. 3000 V. Test	5A	9.00
T-374	2.5 V.-5 A. CT. 750 V. Test	5 V.-3 A. 750 V. Test	6.3 V.-3 A. CT. 3000 V. Test	7.5 V.-8 A. CT. 3000 V. Test	5A	9.00
T-370	6.3 V.-3 A. CT. 750 V. Test	6.3 V.-3 A. CT. 750 V. Test	2.5 V.-4 A. CT. 750 V. Test	5 V.-3 A. 750 V. Test	4A	7.50
T-371	5 V.-3 A. 750 V. Test	6.3 V.-3 A. CT. 750 V. Test	6.3 V.-3 A. CT. 750 V. Test	7.5 V.-8 A. CT. 2500 V. Test	5A	8.50
T-372	5 V.-3 A. 750 V. Test	5 V.-3 A. CT. 750 V. Test	6.3 V.-3 A. CT. 750 V. Test	7.5 V.-4 A. CT. 2000 V. Test	5A	8.50
T-367	6.3 V.-5 A. CT. 2000 V. Test	6.3 V.-5 A. CT. 2000 V. Test	5 V.-6 A. CT. 2000 V. Test	5 V.-3 A. CT. 2000 V. Test	5A	9.00
Five Windings						
T-377	5 V.-3 A. 2000 V. Test	5 V.-6 A. 2000 V. Test	6.3 V.-1 A. CT. 2000 V. Test	6.3 V.-5 A. CT. 2000 V. Test	5A	9.50

GUARANTY

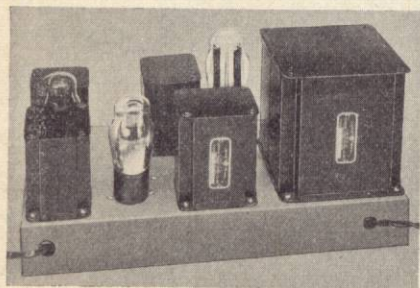
All Kenyon Transformers are guaranteed against defects in materials and workmanship for a period of ninety days from the time of sale. Inoperative transformers should be returned prepaid to our factory, where they will be inspected and, if found defective from the above mentioned causes, will be replaced without charge.

PRICES SUBJECT TO CHANGE WITHOUT NOTICE

A Portable All Band Amateur Transmitter

THE low cost practical short wave transmitter illustrated is an ideal unit for the amateur who wants a powerful yet portable circuit. This unit covers all amateur bands and may be used for phone or C.W. work. The output when used on the 1750 kilocycle band is approximately 20 watts.

The transmitter is constructed in two separate units. The top section contains the radio frequency unit



Modulator and Power Supply Unit

which consists of the crystal controlled oscillator, the class C amplifier and the antenna coupling system. The bottom section contains the modulation unit together with a sturdy power supply. Each section can be easily removed and despite the compactness of the entire circuit there is no troublesome crowding of either the parts or wiring. In the interest of simplicity the circuit has been designed along strictly conventional lines. The oscillator circuit which utilizes a type 2A5 is capacitively coupled to a type 2A3 tube operated in class C. This together with the antenna coupling unit is mounted on the same chassis.

For maximum transfer of power to the antenna, the output tank circuit is link coupled to the antenna coil. Usually one or two turns of wire wrapped around the amplifier tank and the same number of turns around the antenna coil provide adequate output on all bands. A little experimenting with link coupling is advisable since tight coupling may be the cause of downward modulation when operating the transmitter for phone.

To obtain maximum power output from the radio frequency section of the circuit it is essential that all parts used be of low loss construction and that the tuning condensers be insulated from the aluminum chassis. It is preferable to use sockets for tubes

and plug in coils made of isolantite or similar material to prevent excessive r. f. losses.

The modulator, mounted on one end of the bottom shelf uses two 53 type tubes which are used in a basically sound straightforward class B application.

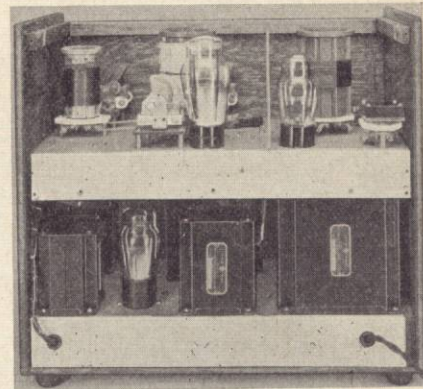
To insure good quality the modulation output transformer is designed to carry the full current of the class C stage without causing saturation. If a smaller transformer is substituted for the one shown it may be necessary to use an additional audio choke and a condenser to keep the D. C. voltage of the class C amplifier out of the secondary winding.

Since the gain of the speech system is just about right for the average single button microphone no gain control is incorporated. The gain however can be varied by the simple expedient of moving the microphone closer to or farther away from the speaker; a distance of about five to six inches will be found to be correct for most single button microphones under normal conditions.



Radio Frequency Section

The antenna arrangement employed will in most cases depend to a large extent upon space limitation. For the 160 meter band the regular Marconi



The complete Xmtr housed in a portable case

Antenna Ground System will prove to be quite efficient and usually the easiest of all types to set up. The length will not be found critical as there is considerable latitude due to the size of the tuning condenser used in the antenna circuit. For the other amateur bands the familiar quarter wave Hertz is recommended.

Although no meters are included in the transmitter, provision for measuring oscillator and class C amplifier plate current is made by means of closed circuit jacks mounted on the front panel.

The distance-covering possibilities of this circuit will depend, to a large extent, on the radiation efficiency of the individual antenna system, the wave band used, location of station, and general atmospheric conditions.

As with all short wave transmitters, this circuit should not be operated unless the owner is a licensed amateur. However, the lack of a license need not prevent you from building the circuit, and when your license is granted your station will be complete and ready to go.

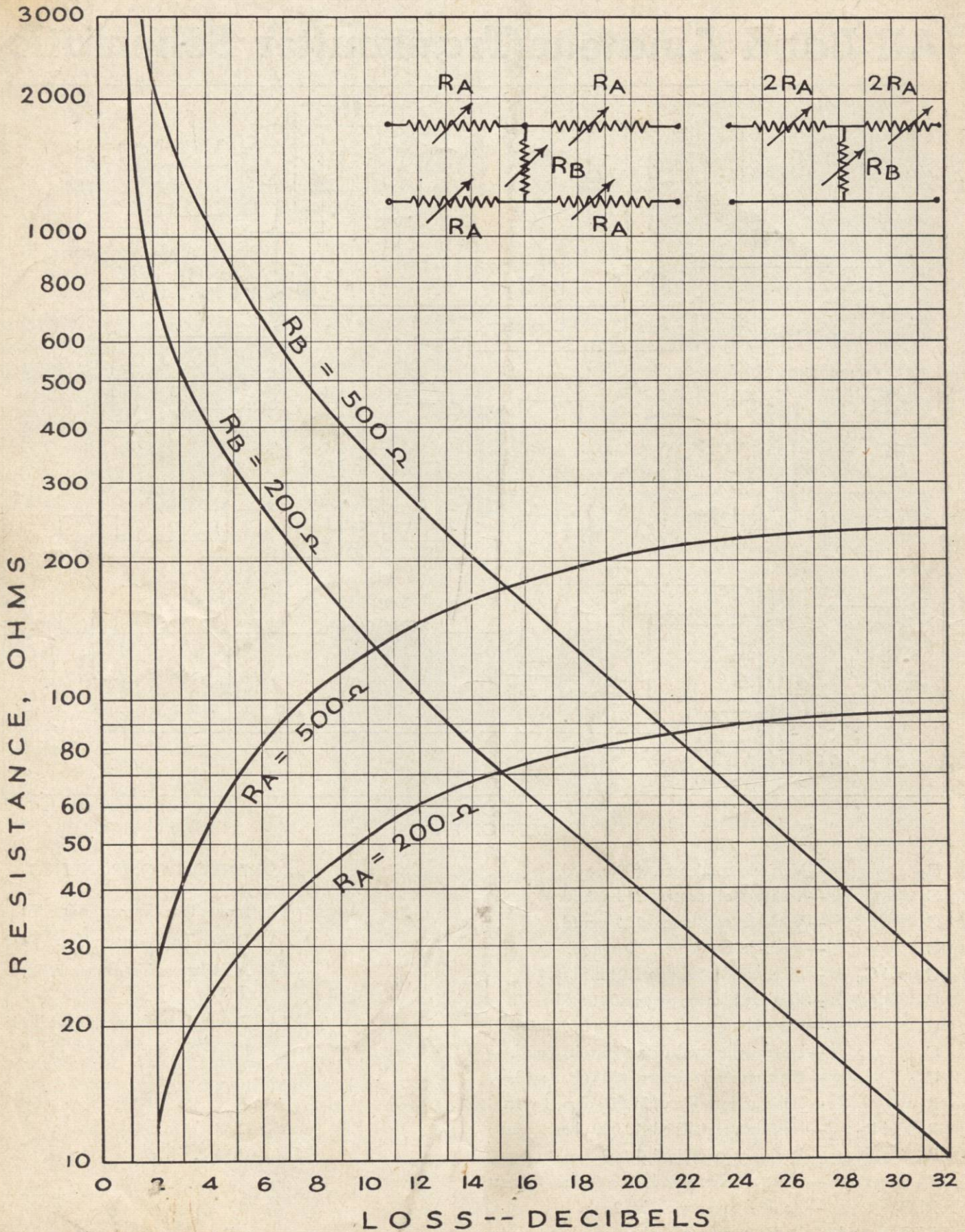
COIL-WINDING DATA

Coil	1750 KC.	3500 KC.	7000 KC.	14,000 KC.
L ₁	50 turns No. 22E 2" form	34 turns No. 22E 1½" form	19 turns No. 16E 1½" form	9 turns No. 14E 1½" form
L ₂	54 turns No. 18E 2" form	38 turns No. 18E 1½" form	21 turns No. 16E 1½" form	11 turns No. 14E 1½" form
L ₃	45 turns No. 18E 1½" form	28 turns No. 18E 1½" form	15 turns No. 16E 1½" form	7 turns No. 16E 1½" form

If the circuit will not tune to resonance, a few turns must be added or removed from the above coil data. However, the above data is correct for use with the tuning condensers specified in the list of parts.

49
1750
10335
1225/0
1597

KEN-O-GRAF



Proper attenuation of audio frequencies without introducing distortion is usually accomplished with pads. The Ken-O-Graf shown above gives resistance value of the branches of an "H" or "T" pad for channels having an impedance of 200 or 500 ohms. The range of attenuation is from 2 to 32 db.