

# PHILIPS

Data handbook



Electronic  
components  
and materials

## Electron tubes

Book T5

1988

Cathode-ray tubes

**Elcoma** – Philips Electronic Components and Materials Division – embraces a world-wide group of companies operating under the following names:

**IBRAPE**



**Miniwatt**

**Signetics**

**Mullard**



**PHILIPS**

Elcoma offers you a technological partnership in developing your systems to the full. A partnership to which we can bring

- world-wide production and marketing
- know-how
- systems approach
- continuity
- broad product line
- fundamental research
- leading technologies
- applications support
- quality

## CATHODE-RAY TUBES

	<i>page</i>
<b>Selection guide</b>	
Monoaccelerator tubes . . . . .	4
Post-deflection accelerator tubes . . . . .	5
Direct-view storage tubes . . . . .	5
Monitor and display tubes . . . . .	6
Flying spot scanner tube . . . . .	6
<b>General</b>	
List of symbols . . . . .	9
Operational recommendations . . . . .	11
Tube alignment procedure . . . . .	17
Photometric units . . . . .	23
Type designation . . . . .	25
Screen types . . . . .	27
<b>Device data</b>	
Instrument tubes . . . . .	57
Survey of types . . . . .	58
Monitor and display tubes . . . . .	323
Survey of types . . . . .	324
Special options for monitor and display tubes . . . . .	325
Flying spot scanner tube . . . . .	409
Accessories . . . . .	417

## SELECTION GUIDE

SELECTION GUIDE CATHODE-RAY TUBES  
preferred types

Monoaccelerator tubes		standard phosphor	display area mm <sup>2</sup>	accelerator voltage V	deflection coefficient V/cm		line width mm	max. bandwidth MHz	heater current at 6,3 V mA	max. overall length mm	special features
type*					hor.	vert.					
D7-221..		GY	60 x 36	1000	12,5	20	0,28	10	100**	225	low profile screen, reversed x and y plates
D7-222..		GY	60 x 36	1000	12,5	20	0,28	10	240	225	low profile screen, reversed x and y plates
D10-180..		GY	70 x 56	2000	36	23	0,2	25	240	240	dynamic deflection defocusing correction, internal magnetic correction
D10-181..		GY	70 x 56	2000	36	23	0,2	25	100**	240	dynamic deflection defocusing correction, internal magnetic correction
D12-130../119		GY	80 x 64	2000	32	21	0,2	25	100**	257	internal magnetic correction
D12-160../119		GY	80 x 64	2000	23,8	13,8	0,25	25	100**	292	internal magnetic correction
D14-363../123		GY	100 x 80	2000	19	11,5	0,30	25	100**	333	vertical scan magnification, internal magnetic correction
D14-364../123		GY	100 x 80	2000	19	11,5	0,30	25	240	333	vertical scan magnification, internal magnetic correction
D18-180../127		GY	120 x 96	2000	21	15	0,30	25	100**	324	internal magnetic correction, dynamic deflection defocusing

\* For the blanks in the type numbers insert phosphor code.  
\*\* Low-power heater.

### Post-deflection accelerator tubes

type*	standard phosphor	display area mm <sup>2</sup>	first accelerator voltage kV	final accelerator voltage kV	deflection coefficient V/cm hor.   vert.	line width mm	max. bandwidth MHz	heater current at 6,3 V mA	max. overall length mm	special features
D12-150. /119	GH	80 x 64	1,5	10	5,8 3,0	0,25	100	100**	299	internal magnetic correction
D14-371. /123	GH	100 x 80	2,2	16,5	8,3 4,0	0,33	100	100**	338	internal magnetic correction
D14-372. /123	GH	100 x 80	2,2	16,5	8,3 4,0	0,33	100	240	338	internal magnetic correction
D14-381. /123	GH	100 x 80	2,2	16,5	8,3 4,0	0,33	150	100**	338	internal magnetic correction, side contacts
D14-382. /123	GH	100 x 80	2,2	16,5	8,3 4,0	0,33	150	240	338	internal magnetic correction, side contacts
D14-400. /123	GH	100 x 80	3	24	7,3 2,9	0,37	500	240	419	helical y-deflection, internal magnetic correction
D18-190. /127	GH	120 x 96	2	16	6,4 3,4	0,35	100	240	348	internal magnetic correction

\* For the blanks in the type numbers insert the phosphor code.

\*\* Low-power heater.

### Direct-view storage tubes

type	display area mm <sup>2</sup>	final accelerator voltage kV	writing speed div/μs	storage viewing time s	deflection coefficient V/cm hor.   vert.	line width mm	heater current at 6,3 V mA	max. overall length mm	special features
L14-140GH/95	90 x 72	10	1000*	≥ 15*	18,5 4,8	0,4	240	454	charge transfer, vertical-scan magnification with quadruple lenses
L14-150GH/55	90 x 72	8,5	2,5	≥ 90	9,5 4,1	0,35	240	452	

\* In fast storage mode.



### Monitor and display tubes

type*	standard phosphor	display area mm <sup>2</sup>	minimum resolution	deflection angle	neck diameter mm	heater current at 6,3 V mA	max. overall length mm	special features
M17-142..	WE	124 x 93	1050 lines	70°	28	240	234	electrostatic focusing
M17-143..	WE	124 x 93	1050 lines	70°	28	240	240	electrostatic focusing, bonded faceplate, metal-mounting band
M17-144..	WE	124 x 93	1050 lines	70°	28	240	234	electrostatic focusing, special version for photography
M17-145..	WE	124 x 93	1050 lines	70°	28	240	240	electrostatic focusing, bonded faceplate, metal-mounting band, special version for photography
M17-220..	WE	124 x 93	1800 lines	70°	28	240	269	electrostatic focusing, high resolution
M38-200..	WA, WE	200 x 270	1800 lines	70°	37	190	484,5	electrostatic focusing, high resolution
M38-201.**	WA, WE	290 x 225	1800 lines	70°	37	190	484,5	electrostatic focusing, very high resolution

\* For the blanks in the type numbers insert the phosphor code.

\*\* Includes adjusted deflection coil AT1991.

### Flying spot scanner tube

type*	standard phosphor	useful screen diameter mm	accelerator voltage kV	resolution lines	deflection angle	heater current at 6,3 V mA	special features
Q13-110..	GU	108	25	1000	40°	300	magnetic deflection and focusing

\* For the blanks in the type number insert the phosphor code.

GENERAL



## LIST OF SYMBOLS

### Symbols denoting electrodes and electrode connections

f	Heater
k	Cathode
g	Grid Grids are distinguished by means of an additional numeral; the electrode nearest to the cathode having the lowest number
x <sub>1</sub> , x <sub>2</sub>	Deflection plates intended for deflection in horizontal direction
y <sub>1</sub> , y <sub>2</sub>	Deflection plates intended for deflection in vertical direction Sectioned deflection plates are indicated by an additional decimal e.g. y <sub>1.1</sub> y <sub>1.2</sub> and y <sub>2.1</sub> y <sub>2.2</sub>
m	External conductive coating
ℓ	Fluorescent screen
i.c.	Tube pin which must not be connected externally
n.c.	Tube pin which may be connected externally

### Symbols denoting voltages

V	Symbol for voltage, followed by an index denoting the relevant electrode
V <sub>f</sub>	Heater voltage (r.m.s. value)
V <sub>p</sub>	Peak value of a voltage
V <sub>(p-p)</sub>	Peak-to-peak value of a voltage

### Symbols denoting currents

I	Symbol for current followed by an index denoting the relevant electrode
I <sub>f</sub>	Heater current (r.m.s. value)

### Symbols denoting powers

W <sub>ℓ</sub>	Dissipation of the fluorescent screen
W <sub>g</sub>	Grid dissipation

### Symbols denoting capacitances

See IEC Publication 100.

### Symbols denoting resistances

R	Symbol for resistance followed by an index for the relevant electrode pair. When only one index is given the second electrode is the cathode
---	--

When R is replaced by Z the "resistance" should read "impedance"

**Symbols denoting various quantities**

L	Luminance
f	Frequency
H	Magnetic field strength
M	Deflection coefficient
M <sub>sc</sub>	Scan magnification
B	Bandwidth
l.w.	Line width
e	Eccentricity
t <sub>p</sub>	Pulse duration

## OPERATIONAL RECOMMENDATIONS

### GENERAL

Unless otherwise stated the published data are typical values.

### TYPICAL OPERATION

Under this heading in the data sheets, the conditions are given which result in the specified performance. This performance represents the best compromise for the intended applications of the tube.

### LIMITING VALUES

Unless otherwise stated the tubes are rated according to the absolute maximum rating system.

Limiting values are in accordance with the applicable rating system as defined by IEC publication 134. Reference may be made to one of the following 3 rating systems.

**Absolute maximum rating system.** Absolute maximum ratings are limiting values of operating and environmental conditions applicable to any electronic device of a specified type as defined by its published data, and should not be exceeded under the worst probable conditions.

These values are chosen by the device manufacturer to provide acceptable serviceability of the device, taking no responsibility for equipment variations, environmental variations, and the effects of changes in operating conditions due to variations in the characteristics of the device under consideration and of all other electronic devices in the equipment.

The equipment manufacturer should design so that, initially and throughout life, no absolute maximum value for the intended service is exceeded with any device under the worst probable operating conditions with respect to supply voltage variation, equipment components spread and variation, equipment control adjustment, load variations, signal variation, environmental conditions, and spread or variations in characteristics of the device under considerations and of all other electronic devices in the equipment.

**Design-maximum rating system.** Design-maximum ratings are limiting values of operating and environmental conditions applicable to a bogey electronic device\* of a specified type as defined by its published data, and should not be exceeded under the worst probable conditions.

These values are chosen by the device manufacturer to provide acceptable serviceability of the device, taking responsibility for the effects of changes in operating conditions due to variations in the characteristics of the electronic device under consideration.

The equipment manufacturer should design so that, initially and throughout life, no design-maximum value for the intended service is exceeded with a bogey device under the worst probable operating conditions with respect to supply-voltage variation, equipment component variation, variation in characteristics of all other devices in the equipment, equipment control adjustment, load variation, signal variation and environmental conditions.

\* A bogey tube is a tube whose characteristics have the published nominal values for the type. A bogey tube for any particular application can be obtained by considering only those characteristics which are directly related to the application.

**Design-centre rating system.** Design-centre ratings are limiting values of operating and environmental conditions applicable to a bogey electronic device\* of a specified type as defined by its published data, and should not be exceeded under average conditions.

These values are chosen by the device manufacturer to provide acceptable serviceability of the device in average applications, taking responsibility for normal changes in operating conditions due to rated supply-voltage variation, equipment component spread and variation, equipment control adjustment, load variation, signal variation, environmental conditions, and variations or spread in the characteristics of all electronic devices.

The equipment manufacturer should design so that, initially, no design-centre value for the intended service is exceeded with a bogey electronic device\* in equipment operating at the stated normal supply voltage.

If the tube data specify limiting values according to more than one rating system the circuit has to be designed so that none of these limiting values is exceeded under the relevant conditions.

In addition to the limiting values given in the individual data sheets the directives in the following paragraphs should be observed.

## HEATER SUPPLY

The heater voltage must be within  $\pm 7\%$  of the nominal value when the supply voltage is at its nominal value, and when a tube having the published heater characteristics is employed. This figure is permissible only if the voltage variation is dependent upon more than one factor. In these circumstances the total tolerance may be taken as the square root of the sum of the squares of the individual deviations arising from the effect of the tolerances of the separate factors, providing none of these deviations exceeds  $\pm 5\%$ . Should the voltage variation depend on one factor only, the voltage variation must not exceed  $\pm 5\%$ .

For maximum cathode life it is recommended that the heater supply be stabilized at the nominal heater voltage. Any deviation from this heater voltage has a detrimental effect on tube performance and life, and should therefore be kept to a minimum. Such deviations may be caused by:

- mains voltage fluctuations;
- spread in the characteristics of components such as transformers, resistors, capacitors, etc.;
- spread in circuit adjustments;
- operational variations.

Cathode-ray tubes with a quick-heating cathode should not be used in series with other tubes.

## CATHODE TO HEATER VOLTAGE

The voltage between cathode and heater should be as low as possible and never exceed the limiting values given in the data sheets of the individual tubes. Operation with the heater positive with respect to the cathode is not recommended.

In order to avoid excessive hum the a.c. component of the heater to cathode voltage should be as low as possible and never exceed 20 V r.m.s. (mains frequency). A d.c. connection should always be present between heater and cathode. Unless otherwise specified the maximum resistance should not exceed 1 M $\Omega$ ; the maximum impedance at mains frequency should be less than 100 k $\Omega$ .

## INTERMEDIATE ELECTRODES (between cathode and final accelerator)

In no circumstances should the tube be operated without a d.c. connection between each electrode and the cathode. The total effective impedance between each electrode and the cathode should be as low as possible and never exceed the published maximum value.

\* A bogey tube is a tube whose characteristics have the published nominal values for the type. A bogey tube for any particular application can be obtained by considering only those characteristics which are directly related to the application.

## ELECTRODE VOLTAGES

The reference point for electrode voltages is the cathode. For cathode drive service the reference point is grid 1.

### Grid cut-off voltages

Values are given for the limits of grid cut-off voltage at the specified first accelerator voltage. The brightness control voltage should be arranged so that it can handle any tube within the limits shown, at the appropriate first accelerator voltage.

### First accelerator voltage

The first accelerator electrode of a so-called unipotential lens provides independent focus and brightness controls by applying a fixed voltage. Care should be taken not to exceed the maximum and minimum limits for reasons of reliability and performance.

### Focusing voltage

The focusing voltage ( $V_{g3}$ ) should be adjusted to optimum spot size; the voltage may depend on the beam current.

For automatic pre-adjustment (autofocus) of oscilloscope tubes,  $\Delta V_{g3}$  should be derived from the grid drive.

### Astigmatism control voltage

To achieve optimum performance under all conditions it is desirable to apply a voltage for control of astigmatism (a difference in potential of this electrode and the y plates). The required range to cover any tube is given in the relevant data.

### Deflection plate shield voltage

It is essential that the deflection plate shield voltage equals the mean y plate voltage.

### Geometry control voltage

By varying the potential of the geometry control electrode, the necessary range of which is given in the relevant data, the occurrence of pin-cushion and barrel-pattern distortion can be controlled.

### Deflection voltages

For optimum performance it is essential that true symmetrical voltages are applied. It should further be noted that the mean x and y-plate potentials must be equal. Moreover the deflection plate shield voltage, the mean astigmatism control voltage, if applicable the mean beam centring voltage and the geometry control voltage should also be equal to the mean x and y-plate potentials. If use is made of the full deflection capabilities of the tube, the deflection plates will intercept part of the electron beam near the edge of the scan. Therefore a low impedance deflection plate drive is necessary. (See also ELECTRODE CURRENTS AND CIRCUIT IMPEDANCES on the next page.)

## **Raster distortion and its determination**

Limits of raster distortion are given for most tubes.

A graticule, consisting of concentric rectangles is aligned with the electrical x-axis of the tube. The edges of a raster will fall between these rectangles with optimum correction potentials applied.

Measuring procedure:

- Shift the x-trace to the centre of the graticule.
- Align horizontal centre line of graticule with the centre line of the x-trace.
- Shift x-trace vertically between upper and lower horizontal lines of graticule; the centre of the x-trace now will not fall outside the area bounded by the horizontal graticule lines.
- Without moving the graticule, switch to a vertical trace and shift this trace horizontally (left and right) between the pairs of vertical lines of the graticule; the centre of the y-trace will not fall outside the area bounded by the vertical graticule lines.
- Focus and astigmatism will be adjusted for optimum performance.
- Pattern geometry correction will be adjusted for optimum performance in the sense of minimizing simultaneously the deviation of the centre of x and y-trace respectively.

## **Linearity**

Unless otherwise stated the linearity is defined as the sensitivity at a deflection of 75% of the useful scan with respect to deviations from the sensitivity at a deflection of 25% of the useful scan. These sensitivities will not differ by more than the indicated value.

## **Post deflection shield voltage**

In order to optimize contrast in mesh tubes a fixed negative voltage with respect to the geometry control voltage should be applied. The range is given in the data.

## **Final accelerator voltage**

Tubes with PDA are designed for a given range of final accelerator voltage to first accelerator voltage ratio. Operation at higher or lower ratios may result in changes in deflection uniformity, pattern distortion and useful scan.

## **High tension supply**

In order to avoid damage to the screen it is important that a deflection voltage, e.g. the time base voltage, is applied prior to the high tension.

## **ELECTRODE CURRENTS AND CIRCUIT IMPEDANCES**

In each electrode currents caused by interception of a part of the electron beam, leakage or secondary emission, may occur in both directions. For oscilloscope tubes currents up to 10  $\mu$ A can be expected in the focusing electrode and the deflection plates. In addition, if use is made of the full deflection capabilities, each deflection plate may intercept up to 50% of the beam current.

For oscilloscope tubes with beam-limiting apertures, the grid 2 and/or grid 4 circuit impedance should be less than 10 k $\Omega$ .

For all tubes the control grid circuit resistance should be less than 1 M $\Omega$ .

## **CAPACITANCES**

Unless otherwise stated the values given are nominal values measured at the contacts of a cold tube. The contacts and measuring leads are screened.

**LINE WIDTH**

The line width is measured with the shrinking raster method. Focusing and astigmatism voltages should be adjusted to minimize the horizontal and vertical trace widths simultaneously at the screen centre. The raster width should be reduced until the line structure is just discernible. This raster width, divided by the number of lines in the display, is the measure of the line width.

**USEFUL SCREEN AREA** (see tube alignment procedure) ←

This is the area on the inner side of the faceplate which is provided with phosphor and thus visible from the outside.

**USEFUL SCAN AREA**

This is the part of the useful screen area in which the specified performance applies.

**LUMINESCENT SCREEN**

To prevent permanent screen damage, care should be taken:

- not to operate the tube with a stationary picture at high beam currents for extended periods;
- not to operate the tube with a stationary or slowly moving spot except at extremely low beam currents.

**MOUNTING**

Unless otherwise stated the tubes can be mounted in any position. However, a tube should not be supported by the base alone or near the base region, and under no circumstances should the socket be allowed to support the tube.

The tube socket should not be rigidly mounted but should have flexible leads and be allowed to move freely. The mass of the mating socket with circuitry should not be more than 100 g; maximum permissible torque is 40 mNm.

**Shielding**

Oscilloscope tubes need a magnetic shielding for proper operation. Especially for types with an internal permanent magnetic lens system (IMC), a magnetic induction at the tube neck greater than 0,02 T (200 gauss), which corresponds to a magnetic field strength of  $1,6 \times 10^4$  A/m, must be avoided.

**HANDLING**

Handling (or destroying) tubes should be done by qualified personnel.

The tubes are evacuated, which implies that mechanical damage must be avoided; care should be taken not to scratch or knock any part of the tube.

Remember when replacing or servicing a tube that a residual electrical charge may be carried by the final accelerator contact and also the external coating if not earthed. Before removing the tube from the equipment, earth the external coating and short the final accelerator contact to the coating.

## TUBE ALIGNMENT PROCEDURE

### FACEPLATE REFERENCE SYSTEM

The external surface of the faceplate defines the reference plane P.

Positioning of the faceplate is realized by accurate alignment of 3 reference points A, B and C on the adjacent sides X and Y, at a distance h behind plane P (see Figs 1 and 2).

The three reference points are realized by 3 bolts touching the faceplate and having a circular flat surface of 2 mm diameter, centred at distance h behind the plane P (see Fig. 2).

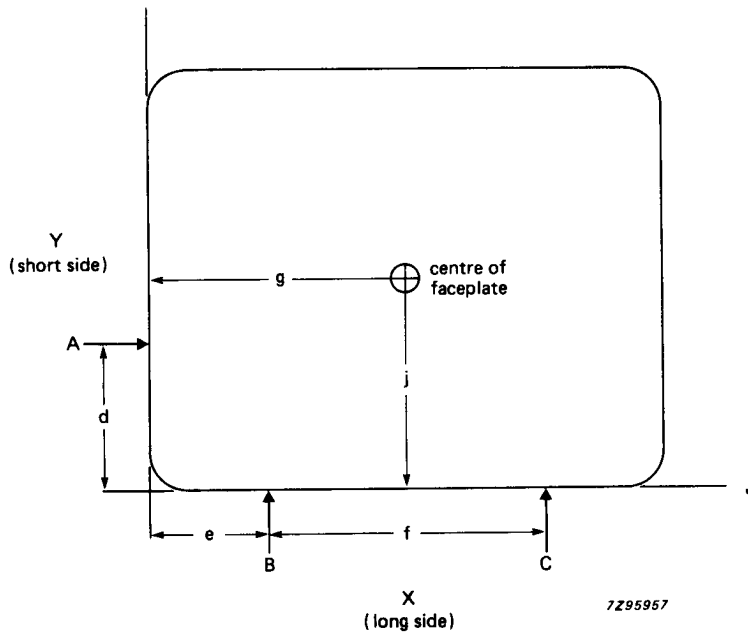


Fig. 1 Faceplate reference system (front view).

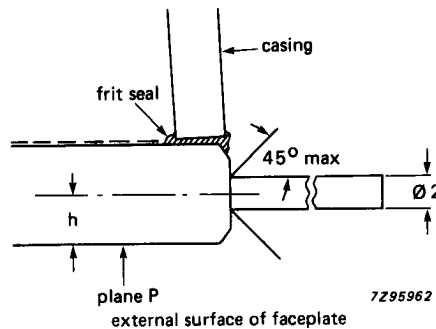


Fig. 2 Realization of reference points.



The centre of the faceplate is defined as the geometrical centre of the nominal rectangle of the faceplate aligned with respect to the reference points, that is, a point in plane P at distances g and j equal to one half of the nominal length and width of the faceplate (refer to Fig. 1).

The tube axis is defined as the line normal to plane P and through the centre of the faceplate. This axis serves as reference for bulb and neck alignment.

**Table 1** Reference data for rectangular flat faced tubes

tube size cm	X** mm	Y** mm	d mm	e mm	f mm	g mm	j mm	h mm
7	70	46,5	15	15	40	35	23,25	1,0
10	82	69	25	16	50	41	34,5	1,0
12	98	82 (86) *	27	24	50	49	41 (43) *	2,0
14	118	98	34	27,5	63	59	49	3,25
18	142	118	35	21,5	100	71	59	3,25

\* values in brackets are for D12-120 . . / . .

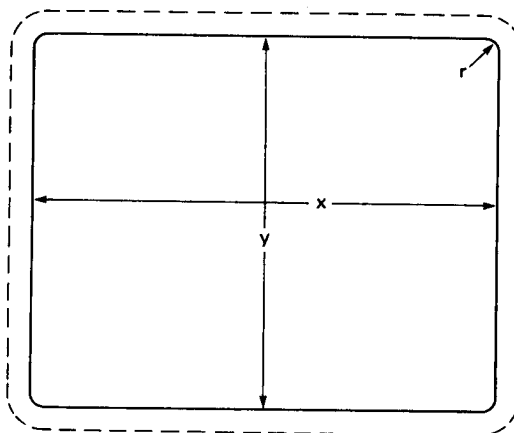
\*\* values given in these columns are nominal

## USEFUL SCREEN AREA

The useful screen is that part of the inner side of the faceplate which is covered with phosphor and visible from outside (see note 1).

The useful screen area is a rectangle with minimum side length x and y, of which the corners are rounded off by 90° of a circle with typical radius r (refer to Table 2 and Fig. 3).

This rectangle is not necessarily aligned with the faceplate.



7295960

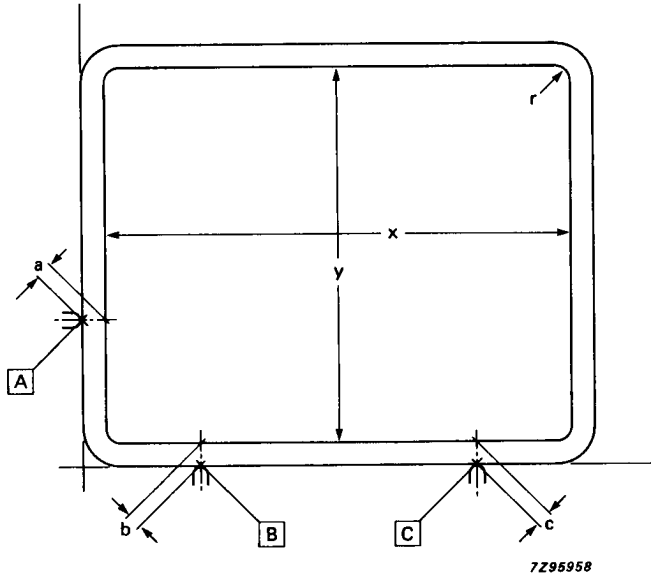
**Fig. 3** Useful screen area.

**Table 2** Useful screen area (not aligned; see note 2)

tube size cm	x (minimum) mm	y (minimum) mm	r (typical) mm
10	70	56	4
12	84	68	5
14	104	84	6
18	125	101	6

**USEFUL SCREEN AREA (aligned to faceplate)**

The aligned useful screen area is a rectangle with side length  $x$  and  $y$ , and corner radius  $r$ , positioned at specified distances  $a$ ,  $b$  and  $c$  from the reference points on the faceplate (refer to Table 3 and Fig. 4).



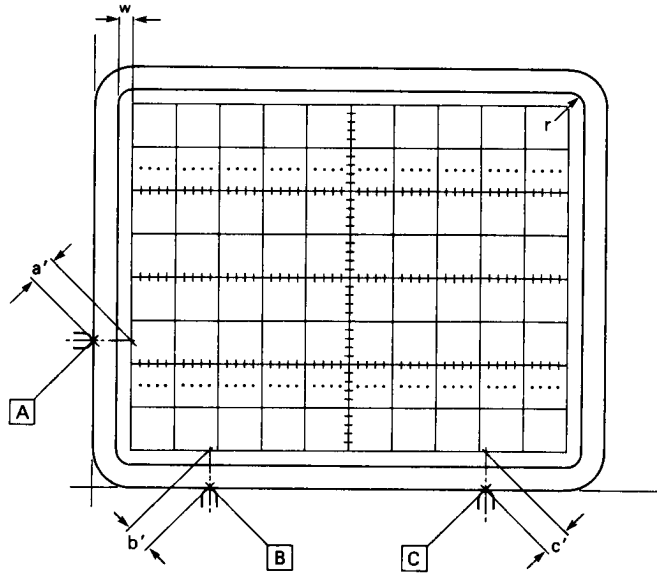
**Fig. 4** Useful screen area (aligned to faceplate).

**Table 3** Useful screen area (aligned to faceplate)

tube size cm	x mm	y mm	a mm	b mm	c mm	r (typical) mm
10	69	55	6,5	7	7	4
12	82	66	8	8	8	5
14	102	82	8	8	8	6
18	124	100	10	10	10	6

**INTERNAL GRATICULE ALIGNMENT**

Internal graticules will be aligned by using the faceplate reference system. Unless otherwise specified the tolerances as given in table 4 are applicable. For tubes with internal graticule, the graticule serves as reference for electrical alignment and useful screen area, in particular for the latter, a margin of width  $w$  and corner radius  $r$  may be specified as being useful screen area around the graticule.



7295959

Fig. 5 Graticule alignment.

**Table 4** Standard graticule alignment (see note 3)

screen size cm	graticule size mm	$a'$ mm	$b'$ mm	$c'$ mm	$b' - c'$ mm	$r$ (typ.) mm	$w$ (min.) mm
10	68 x 54,4	$7,0 \pm 0,4$	$7,3 \pm 0,4$	$7,3 \pm 0,4$	0,25*	4	0,5
12	80 x 64	$9,0 \pm 0,5$	$9,0 \pm 0,5$	$9,0 \pm 0,5$	0,25*	5	1,0
14	100 x 80	$9,0 \pm 0,5$	$9,0 \pm 0,5$	$9,0 \pm 0,5$	0,30*	6	1,0
18	120 x 96	$11,0 \pm 0,5$	$11,0 \pm 0,5$	$11,0 \pm 0,5$	0,35*	6	2,0

\* The resultant values of  $b' - c'$  are maximum permissible deviations.

### BULB AND NECK ALIGNMENT

Tolerances for bulb and neck alignment are specified in the plane  $P'$ , at distance  $z$  from, and parallel to, the surface plane  $P$  of the faceplate. With the exception of the assemblies listed in Table 6,  $z$  is approximately 50 mm less than the nominal tube length including the socket (refer to Table 5 and Fig. 6).

Within plane  $P'$  the geometrical centre of the neck diameter will be within a circle of radius  $e'$  ("eccentricity") around the tube axis, as defined by the faceplate reference system.

Tubes with standard 51 mm diameter neck will fit into a circle of radius  $r' = e' + 26$  mm, concentric with above axis and within plane  $P'$ .

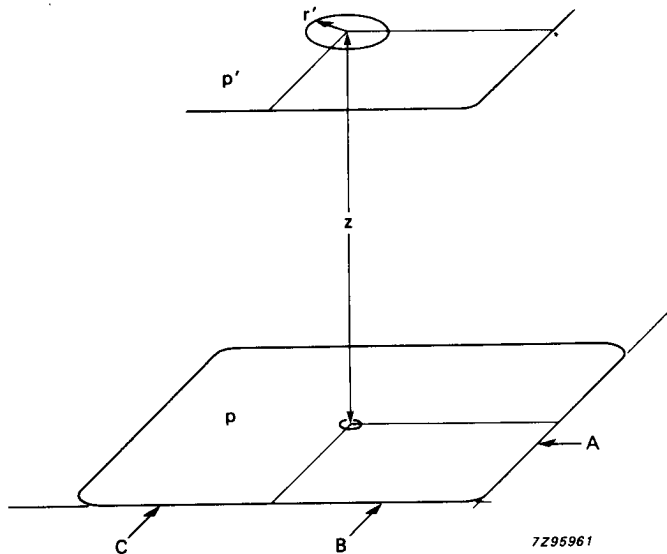


Fig. 6 Bulb and neck alignment.

Table 5 Bulb and neck alignment (see note 4)

tube size cm	$z$ mm	$e'$ %
10	L-50	1,7
12	L-50	1,3
14	L-50	1,1
18	L-50	1,3

Where:

$L$  = typical length of the tubes, socket included (see data sheets for values).

$e'$  = is expressed as a percentage of the typical seated height  $L$  of the tube (see note 5).

**Table 6** Bulb and neck alignment (see note 4)

type family	z mm	e' mm
D7-22.	173	2,2
L14-131	391	4,2
L14-140	391	4,2
L14-150	398	4,2

**NOTES**

1. The useful screen may be larger than the useful scan, and that its area is defined as projected to the outside of the faceplate so that parallax is excluded.
2. The data for useful screen area (not aligned) as given in Table 2, is not valid for storage tubes, which includes the following types: L14-111GH/55, L14-131GH/55, L14-140GH/95 and L14-150GH/95.
3. Some special graticules have deviating dimensions, in this event table 4 is not valid.
4. The tables cover all tolerances of both tilt and displacement of faceplate-cone-neck assembly.  
The cone is sealed to the faceplate to "best visual fit" in accordance with overall tube dimensions and useful screen.
5. Seated height is the sealing-in length, that is, the distance of screen to sealing.

## PHOTOMETRIC UNITS

### S.I. photometric units

quantity	symbol	S.I. unit	remarks
luminous intensity	I	cd (candela)	
luminous flux	$\phi$	lm (lumen)	
quantity of light	Q	lm · s	
luminance	L	cd/m <sup>2</sup>	1 cd/m <sup>2</sup> = 1 nit
luminous exitance	M	lm/m <sup>2</sup>	formerly luminous emittance
illuminance	E	lx (lux)	formerly illumination

### Other photometric units; conversion factors

$$1 \text{ stilb} = 1 \text{ cd/cm}^2 = 10^4 \text{ cd/m}^2 = 4\pi \text{ lumen/cm}^2$$

$$1 \text{ lambert} = \frac{1}{\pi} \text{ cd/cm}^2 = \frac{10^4}{\pi} \text{ cd/m}^2 = 4 \text{ lumen/cm}^2$$

$$1 \text{ foot lambert} = \frac{1}{\pi} \text{ cd/ft}^2 = 3,426 \text{ cd/m}^2$$

$$1 \text{ foot candle} = 10,764 \text{ lux}$$

## TYPE DESIGNATION

### Pro Electron type designation code

The CRT type number begins with a single letter followed by two sets of digits, and ends with one or two letters.

The first letter indicates the prime application of the tube:

D : Oscilloscope tube, single trace

E : Oscilloscope tube, multiple trace

F : Radar display tube, direct view

L : Storage display tube

M : TV display tube for professional application, direct view

P : Display tube for professional application, projection

Q : Flying spot scanner tube

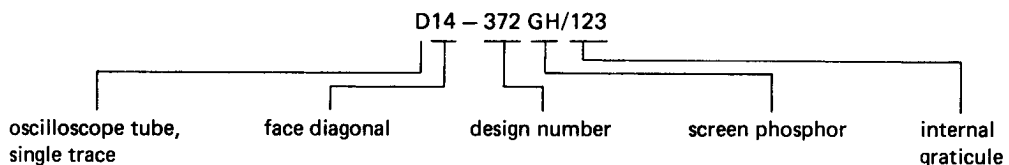
The first group of digits indicates the diameter or diagonal of the screen in cm.

The second group of digits is a two or three-figure serial number indicating a particular design or development.

The final group of letters indicates the properties of the phosphor screen (see section "Screen types").

For CRTs with internal graticule a suffix consisting of two or more figures follows the type designation, separated from it by an oblique stroke.

Example:



SCREEN TYPES

new system	old system	fluorescent colour	phosphorescent colour	persistence	equivalent JEDEC designation
BA	C	purplish-blue	—	very short	—
BE	B	blue	blue	medium short	P11
BF	U	purplish-blue	—	medium short	—
GH	H	green	green	medium short	P31
GK	G	yellowish-green	yellowish-green	medium	—
GM	P	purplish-blue	yellowish-green	long	P7
GR	—	green	green	long	P39
GU	—	white	white	very short	—
GY	—	green	green	medium	P43
KC	—	yellow-green	yellow-green	medium short	—
SB	—	yellow-white	—	—	—
W	W	white	—	—	P4
WA	—	white	—	—	—
WE	—	white	white	medium short	P45
YA	Y	yellowish-orange	yellowish-orange	medium	—

The phosphor information given in this section is based in general upon the original phosphor registration (TEPAC and/or PRO ELECTRON) and can be used as a selection guide. Slight differences may occur between the actual phosphor properties and the registered data.

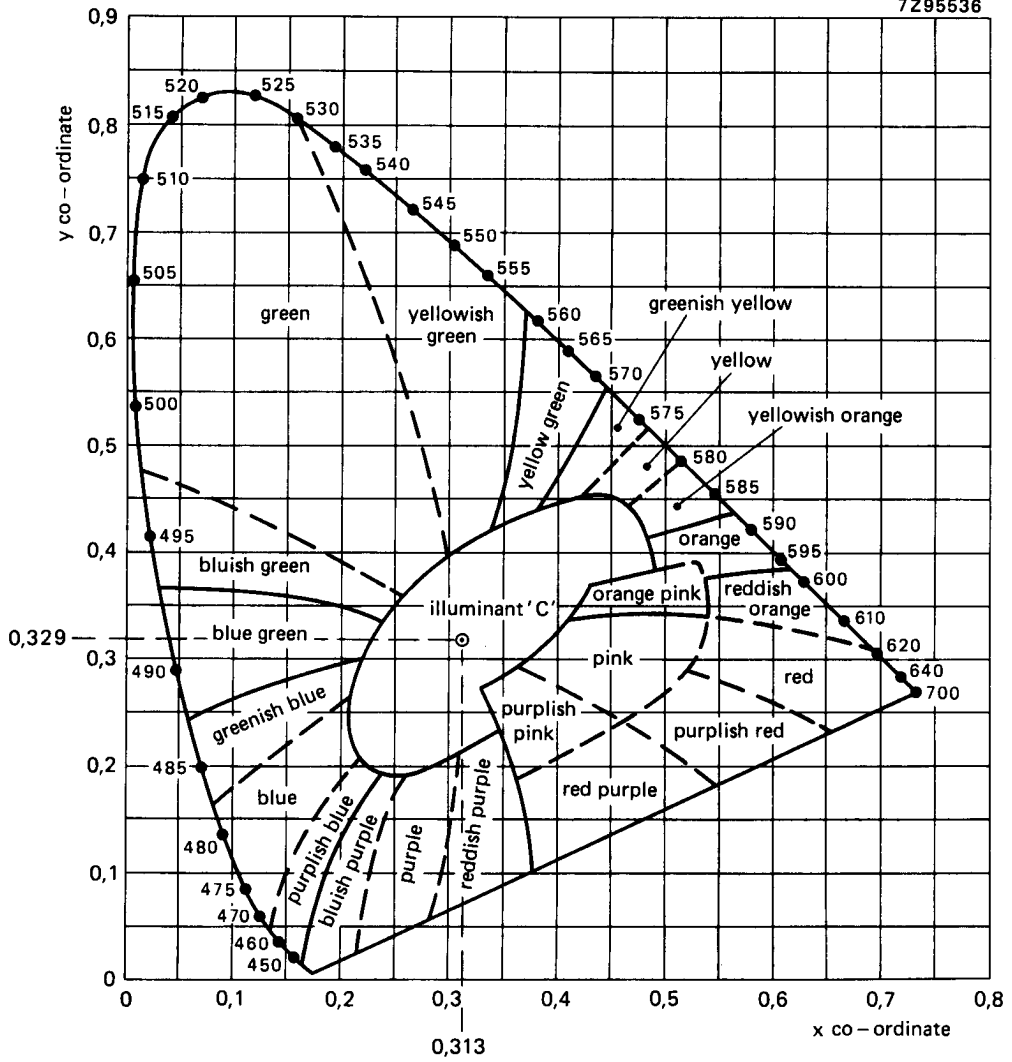


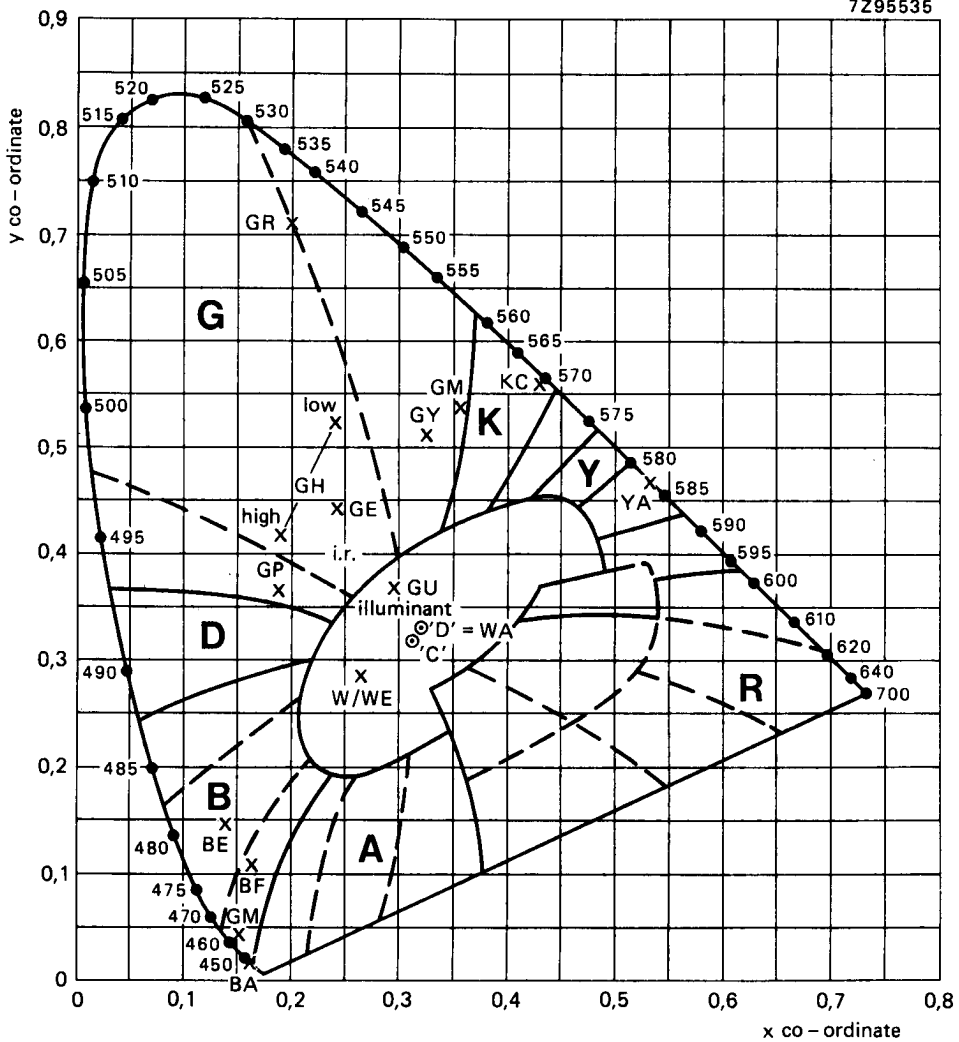
# SCREEN TYPES

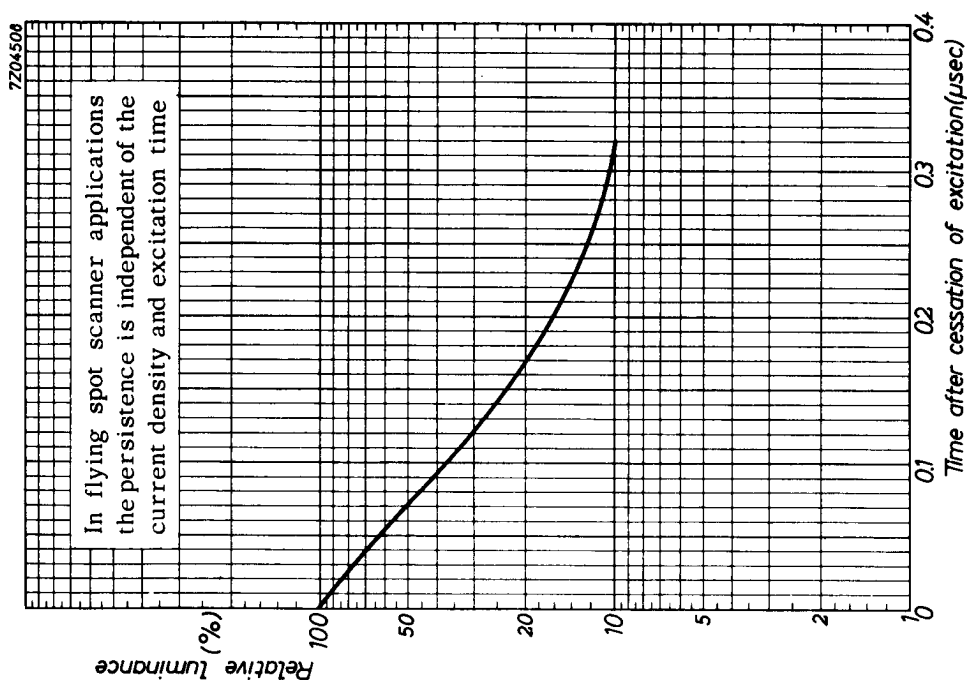
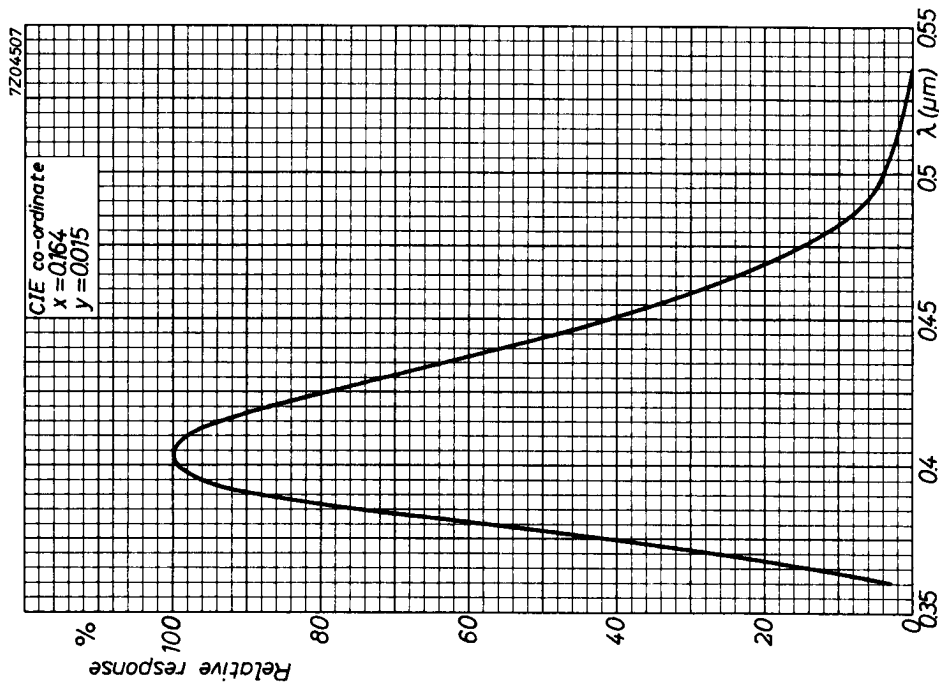
## Survey of applications and persistence of screens

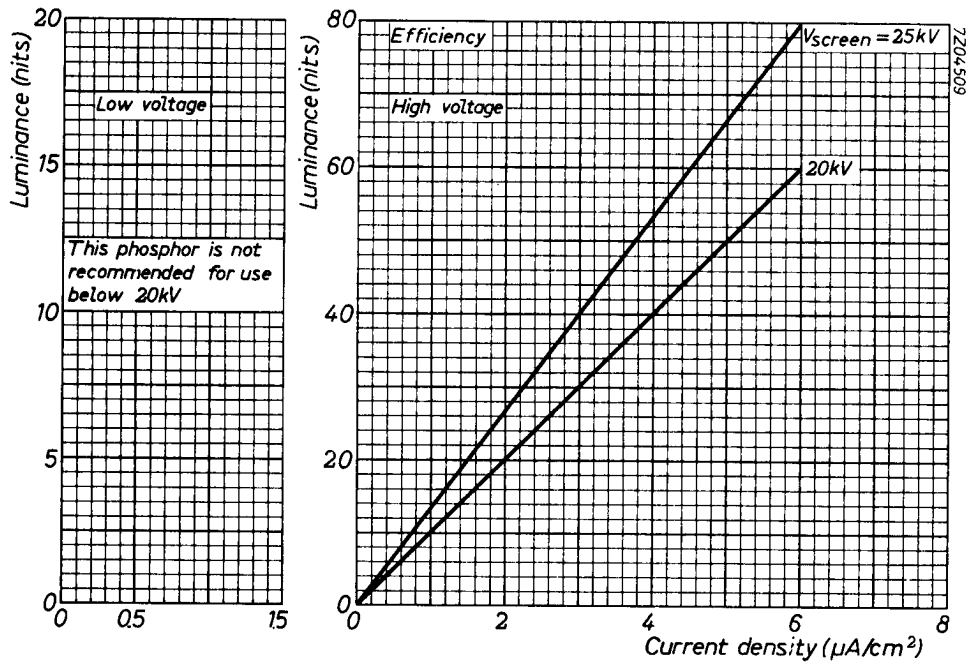
application	phosphor	conditions (display: spot)				persistence		remark
		screen voltage	screen current (peak value)	pulse width	repetition time	relative level of luminance		
						10%	1%	
oscilloscope tubes	BE	4 kV	20 $\mu$ A	2 $\mu$ s	10 ms	34 $\mu$ s	220 $\mu$ s	yellow filter
	GH	4 kV	20 $\mu$ A	2 $\mu$ s	10 ms	38 $\mu$ s	250 $\mu$ s	
	GM	4 kV	2 $\mu$ A	raster switched off after 5 s		0,4 s	3 s	
	GY	4 kV	20 $\mu$ A	2 $\mu$ s	10 ms	1,5 ms	3 ms	
monitor tubes	GR	see relevant curves for persistence						
	W							
	WA							
	WE							
projection tubes	BF	see relevant curves for persistence						
	YA							
flying-spot scanner tubes	BA	see relevant curves for persistence						
	GU							

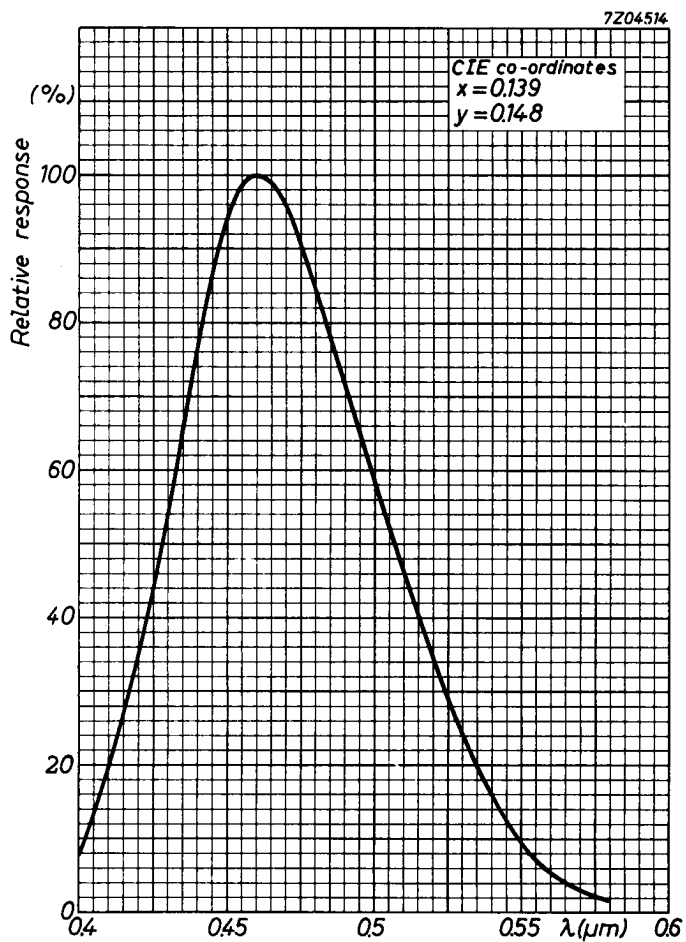
7295536



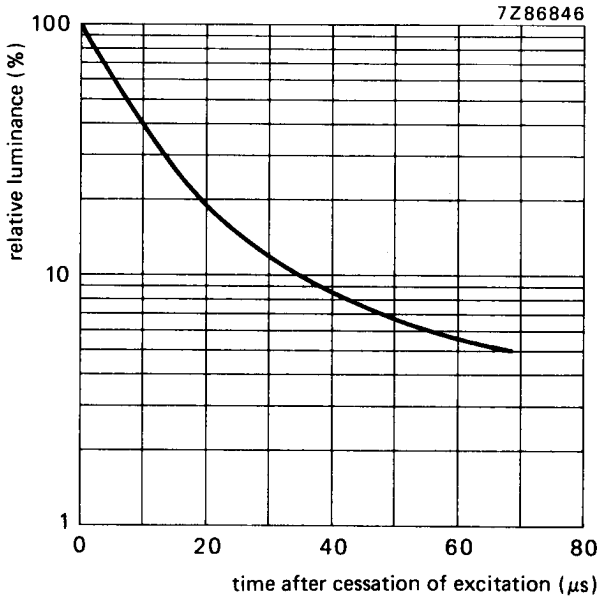




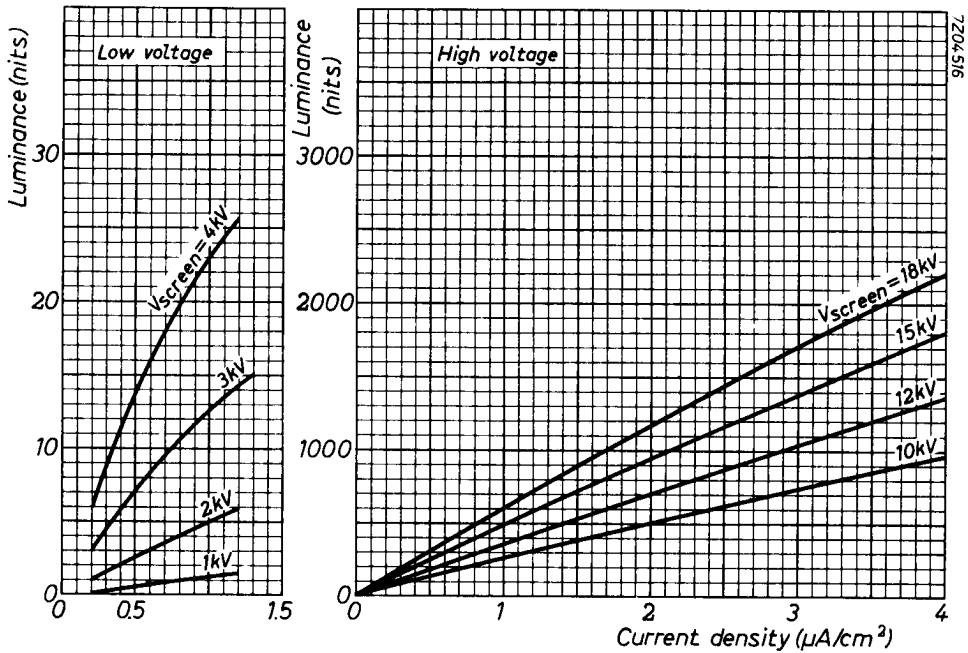


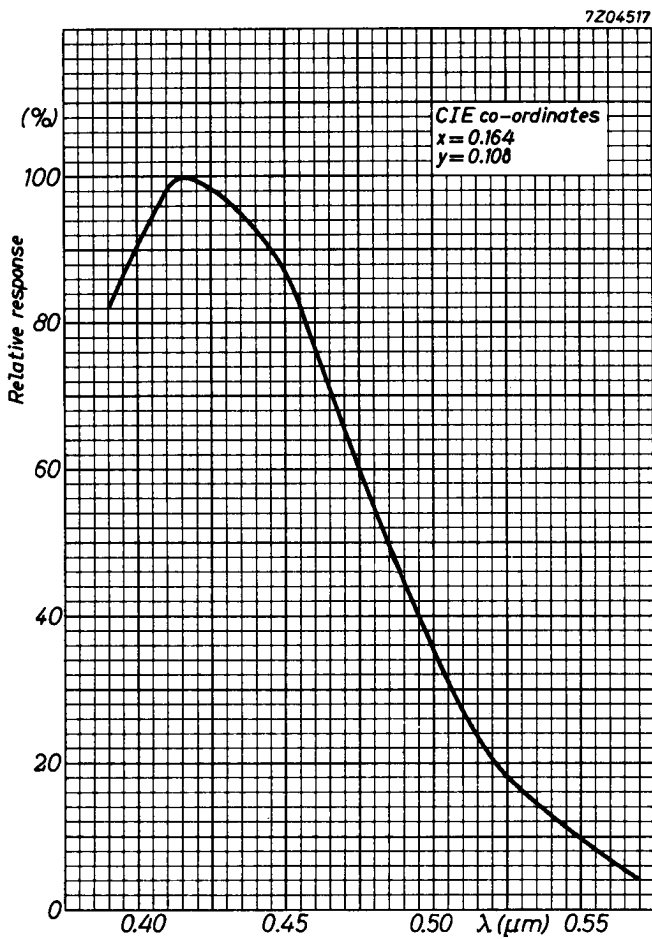


# BE SCREEN

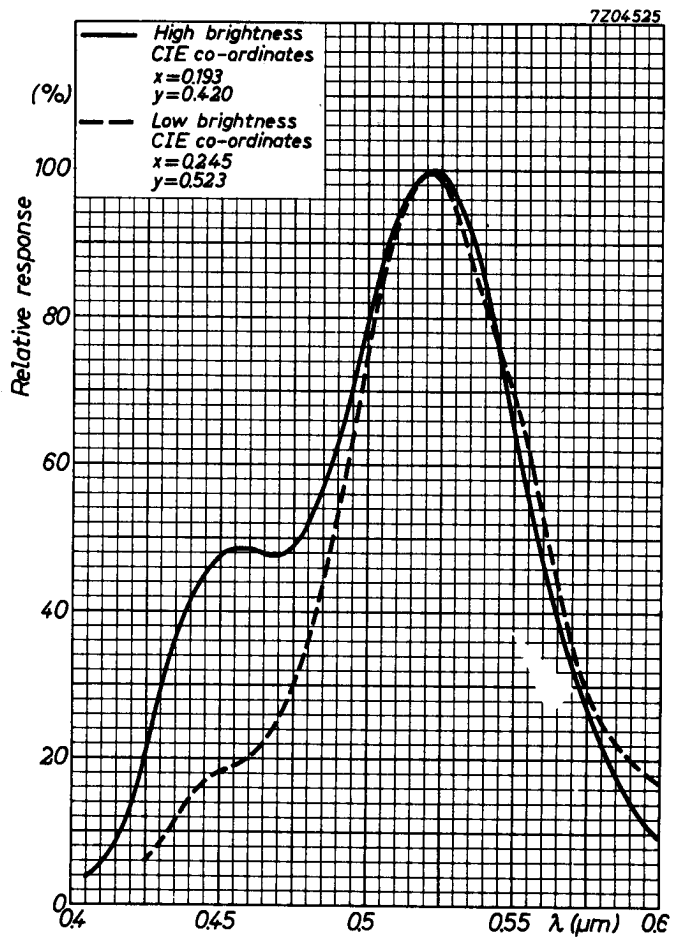


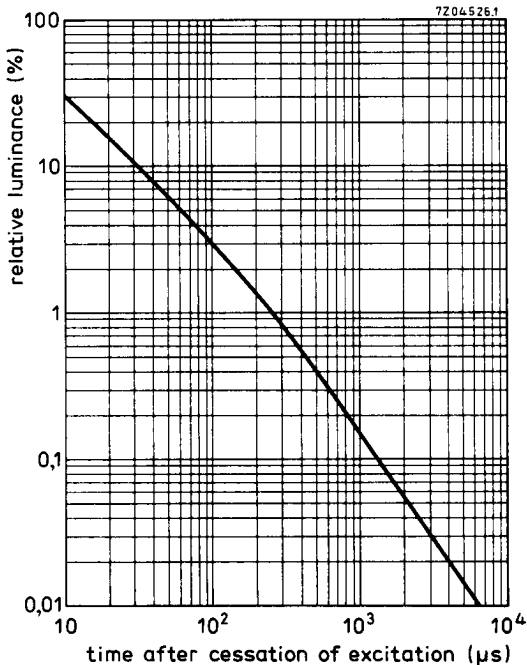
Screen voltage 4 kV  
 Screen current 20  $\mu$ A  
 Pulse width 2  $\mu$ s  
 Repetition time 10 ms





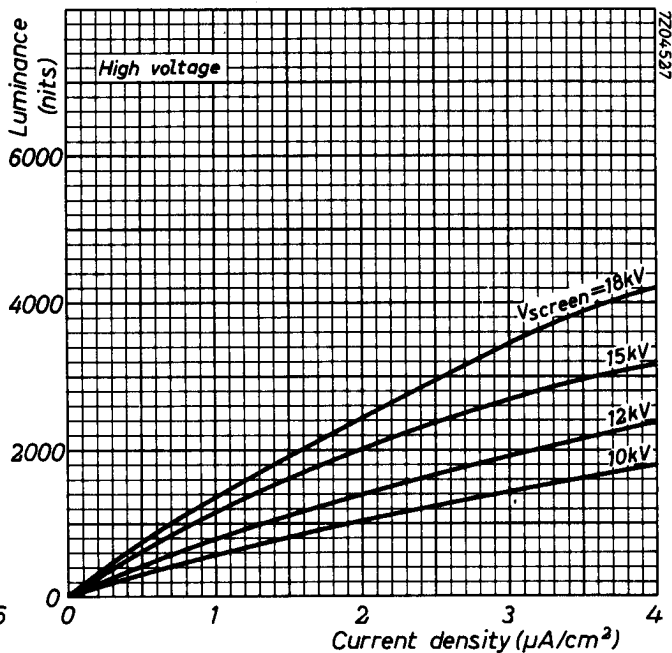
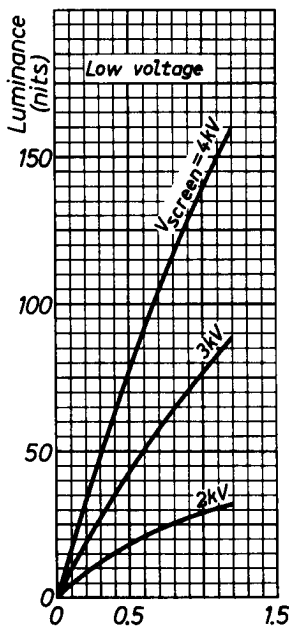


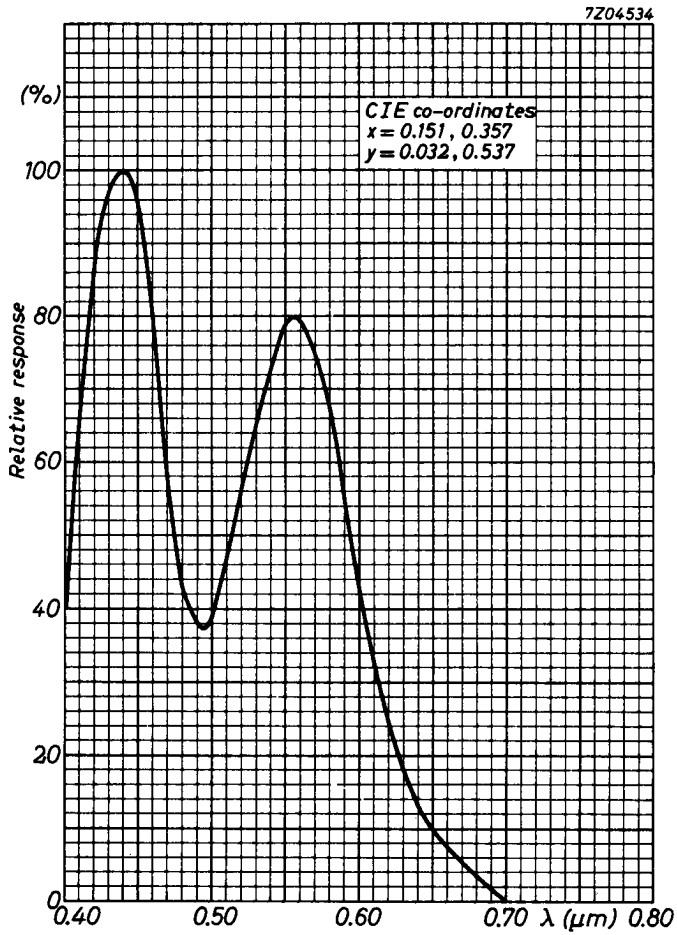


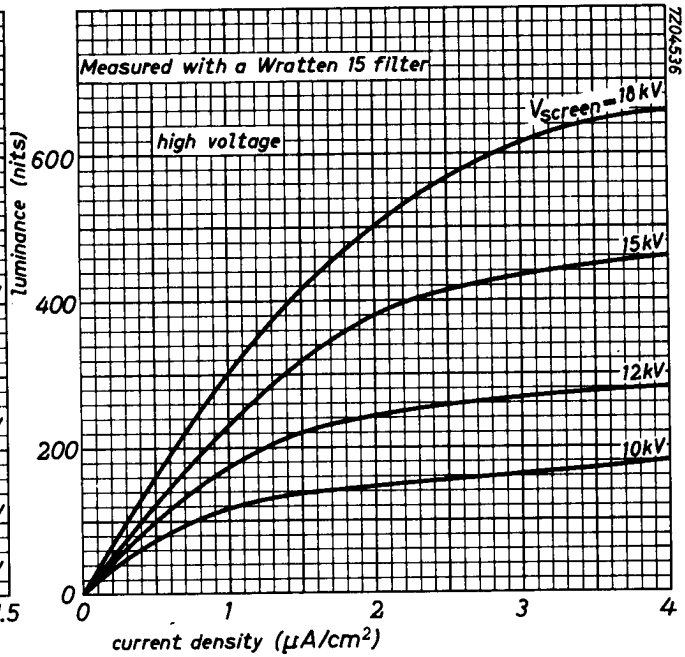
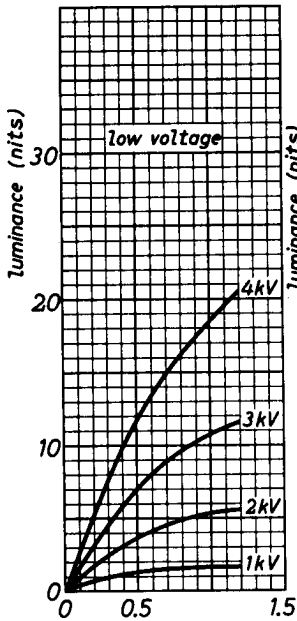
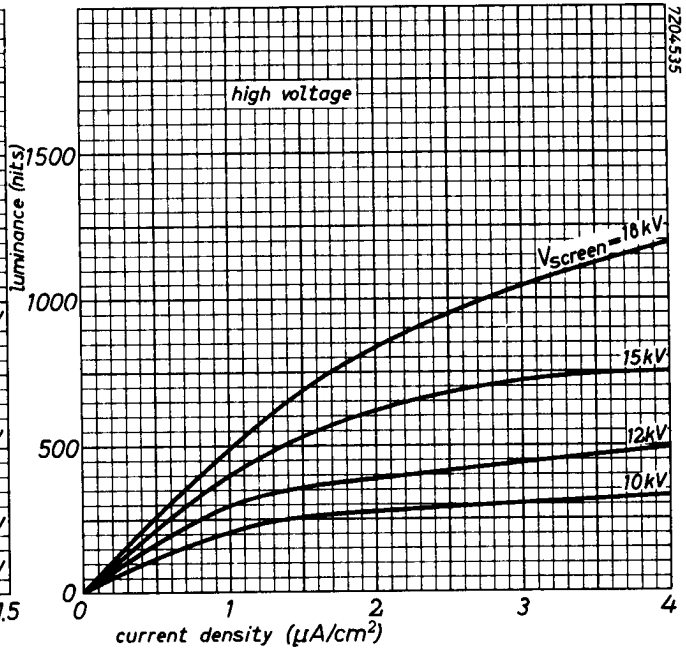
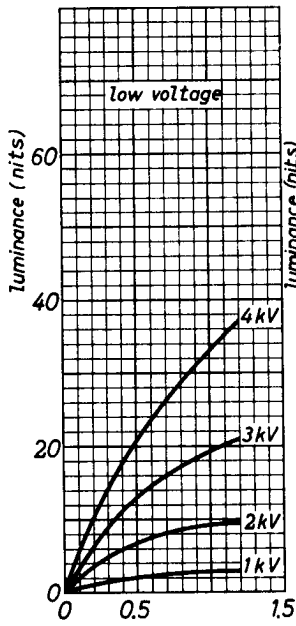


Screen voltage 4 kV  
 Screen current 20  $\mu\text{A}$   
 Pulse width 2  $\mu\text{s}$   
 Repetition time 10 ms

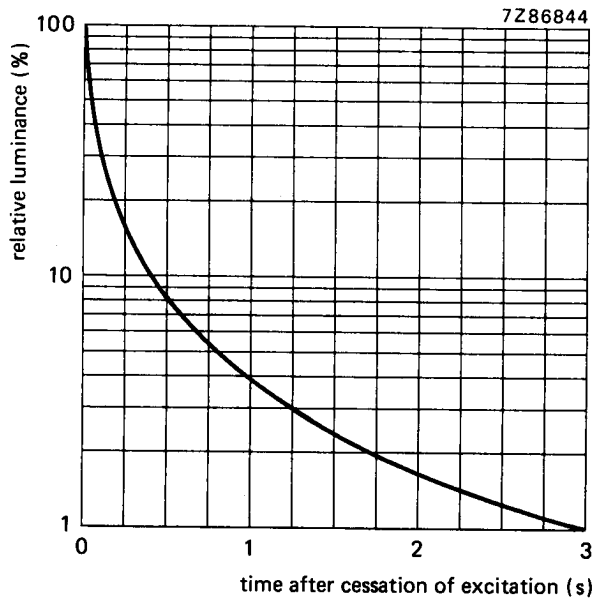
At lower screen voltage, lower screen loading or longer excitation time, the decay time will be longer.



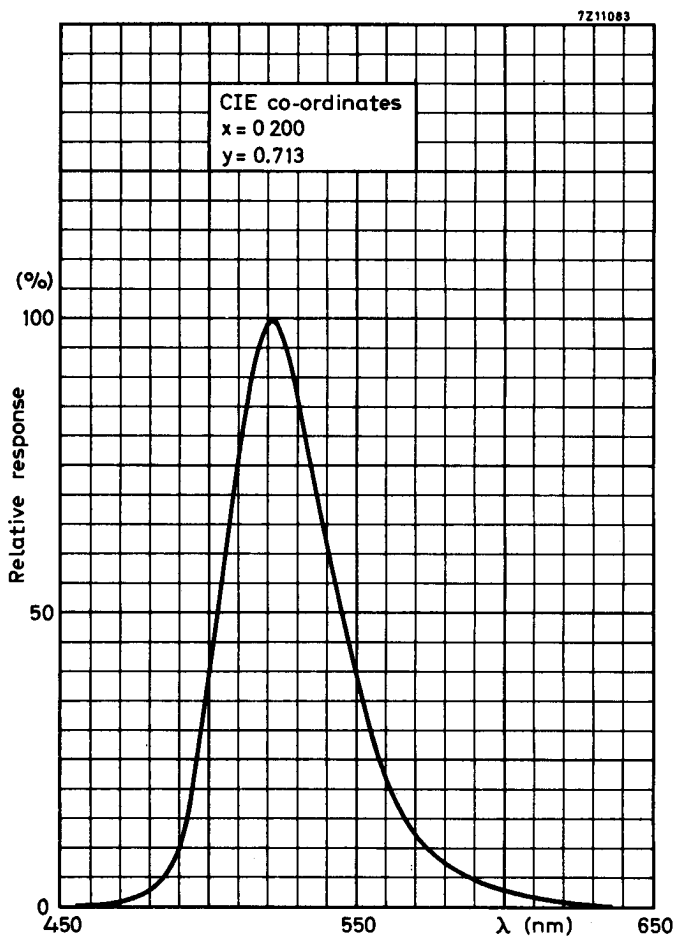




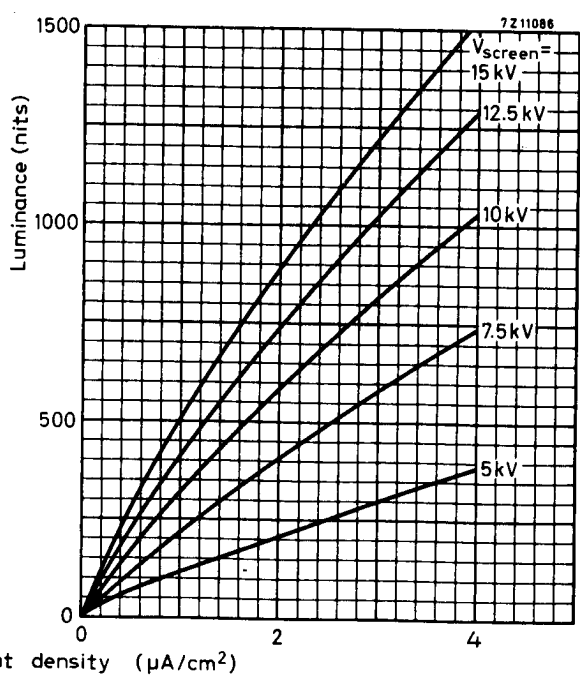
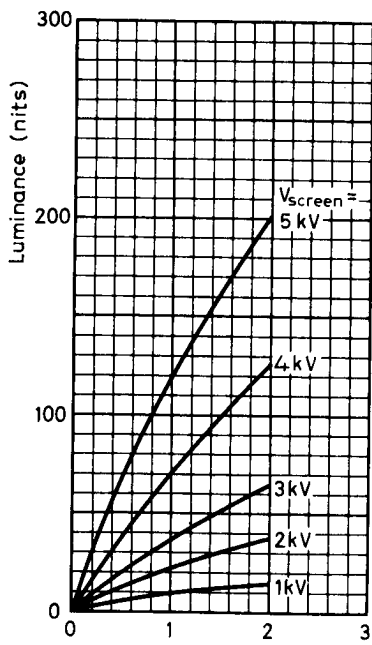
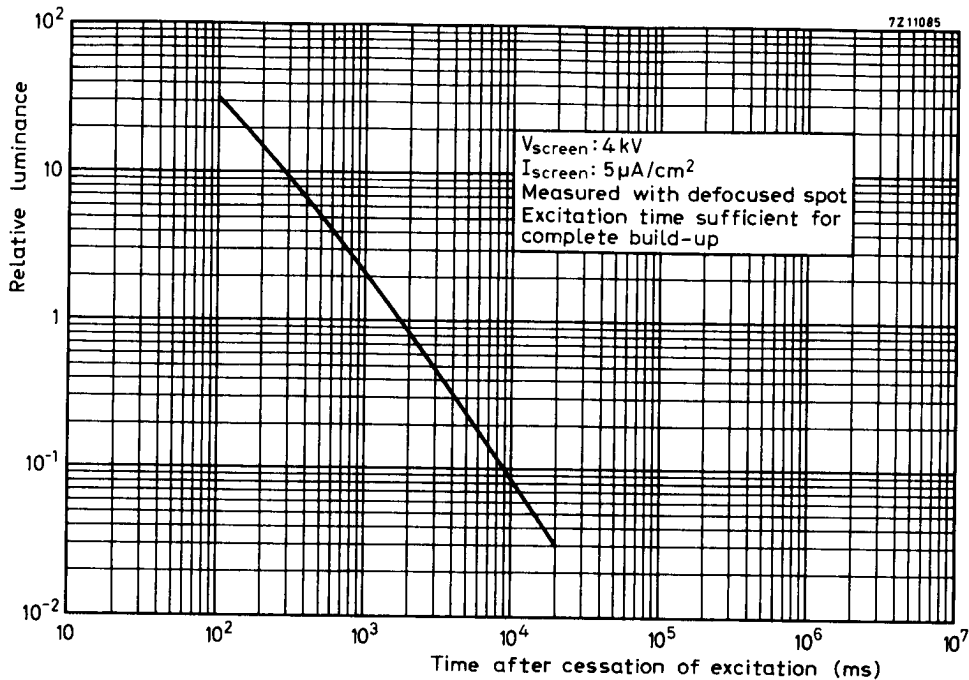
# GM SCREEN

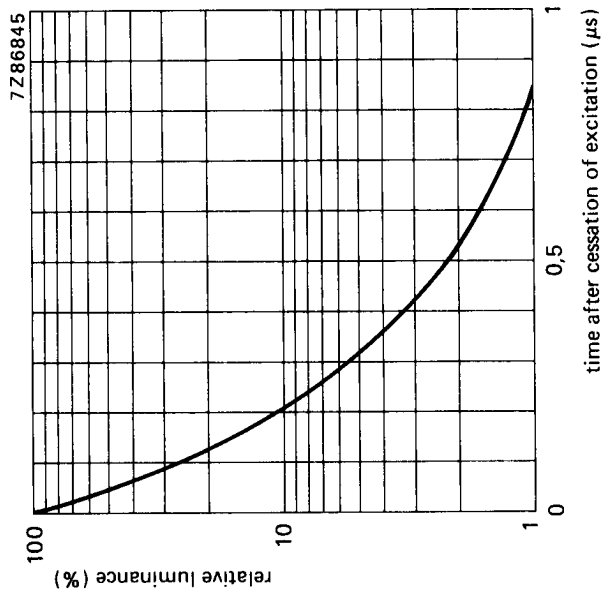
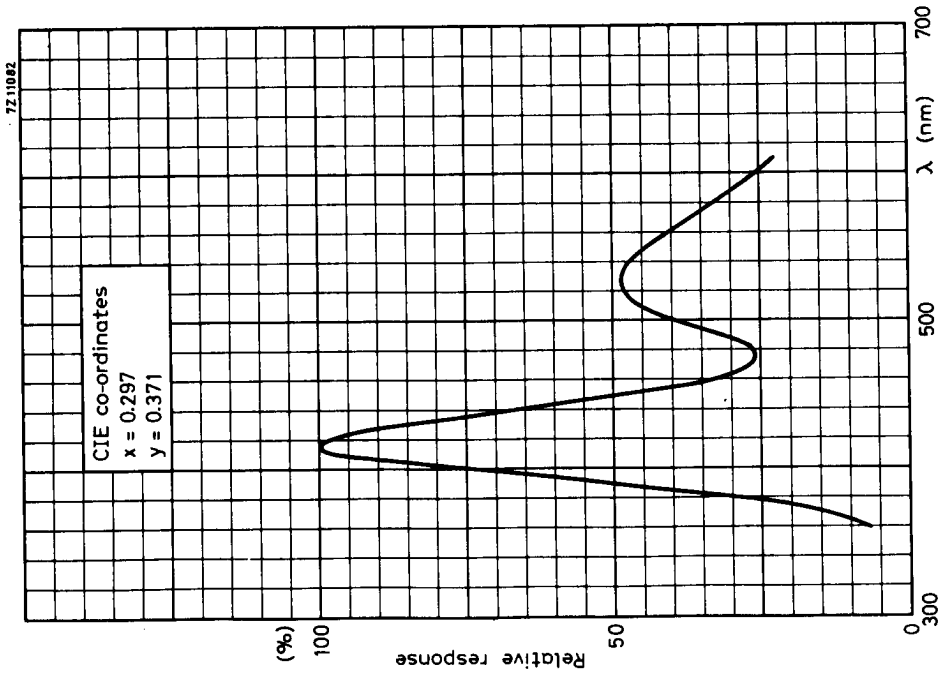


Screen voltage 4 kV  
Screen current 2  $\mu$ A  
Raster 2 cm x 2 cm  
Scanning time 5 s  
Yellow filter GG495



# GR SCREEN

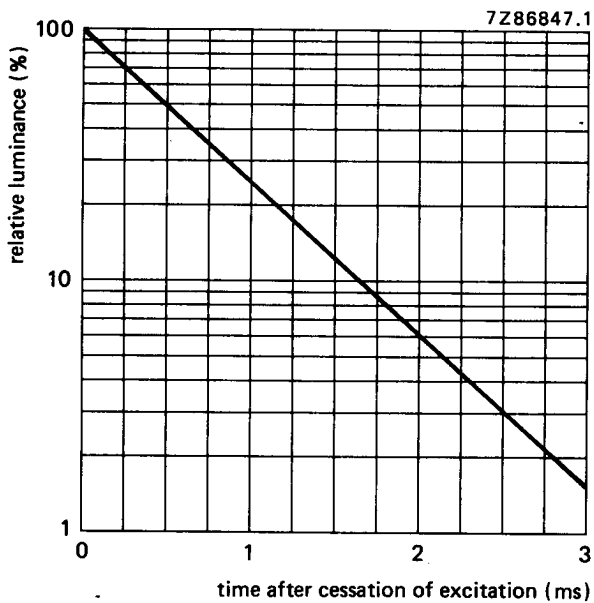
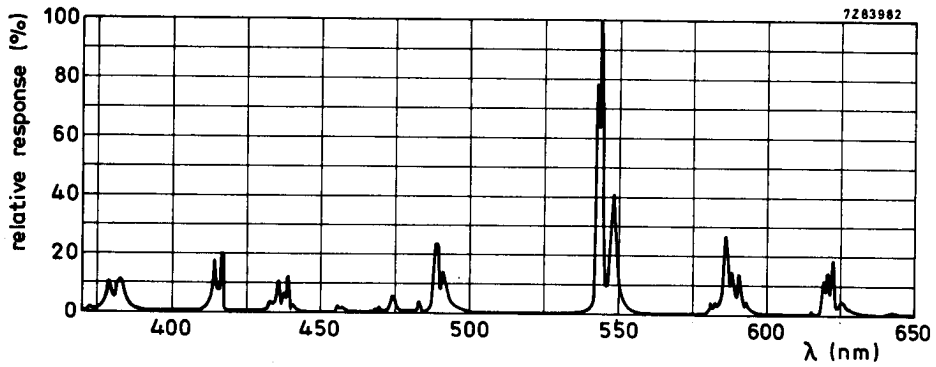




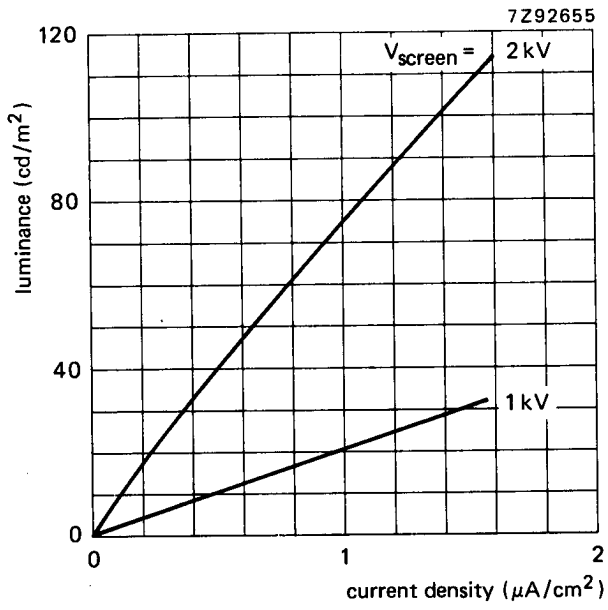


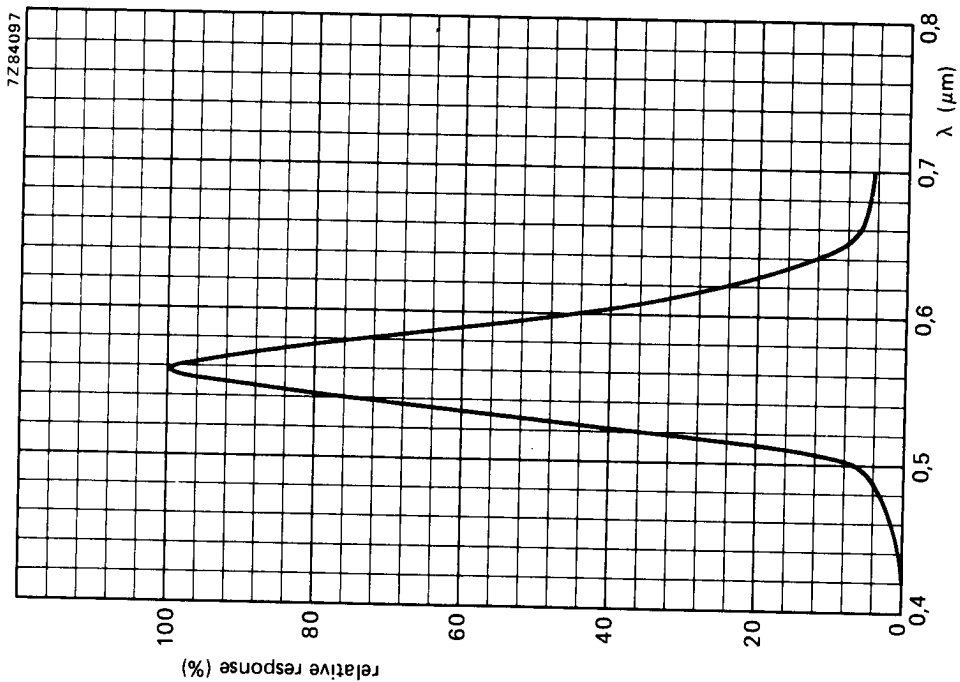
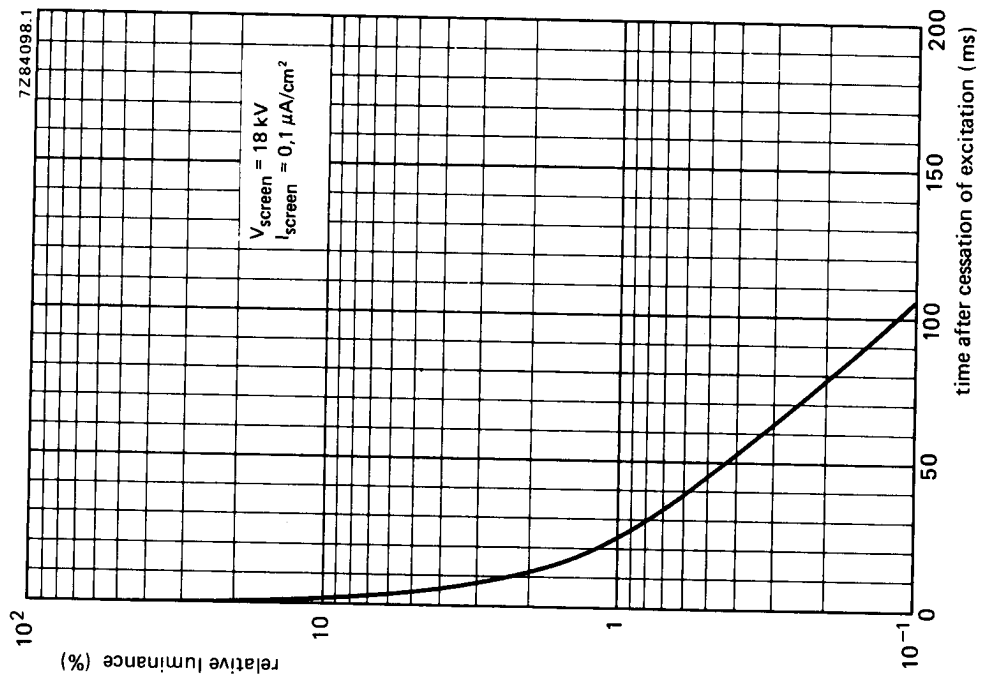
# GY SCREEN

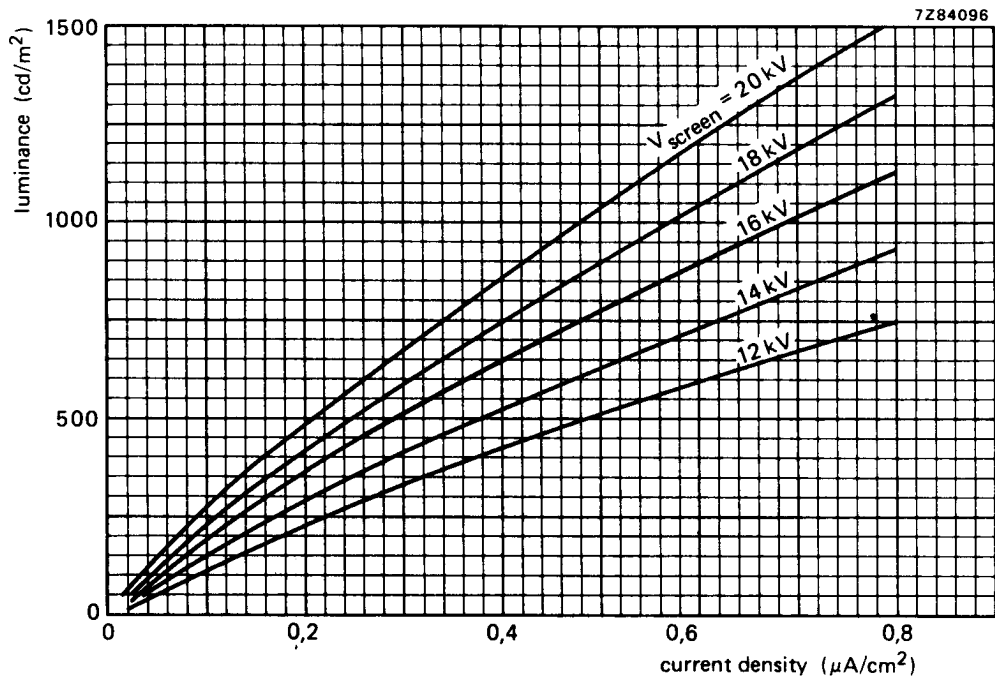
CIE co-ordinates  $x = 0,325$   $y = 0,512$

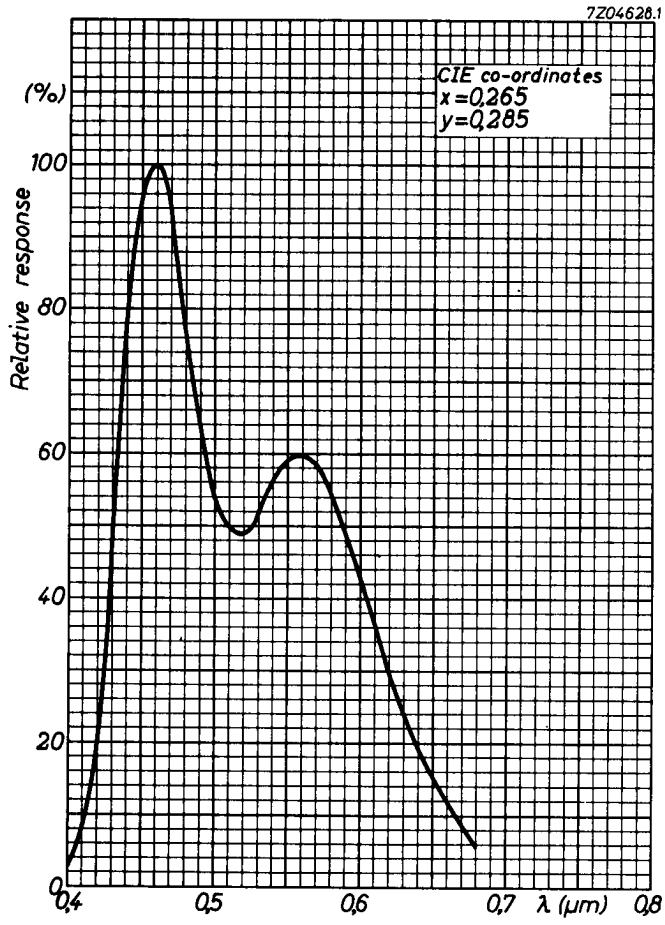


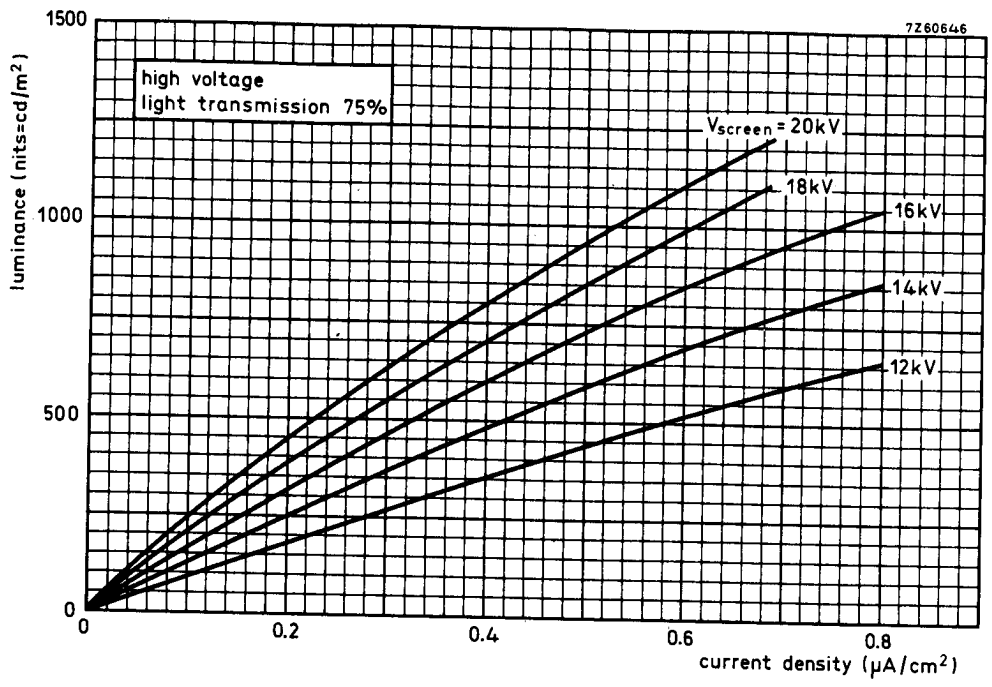
Screen voltage	2 kV
Screen current	20 $\mu$ A
Pulse width	2 $\mu$ s
Repetition time	10 ms

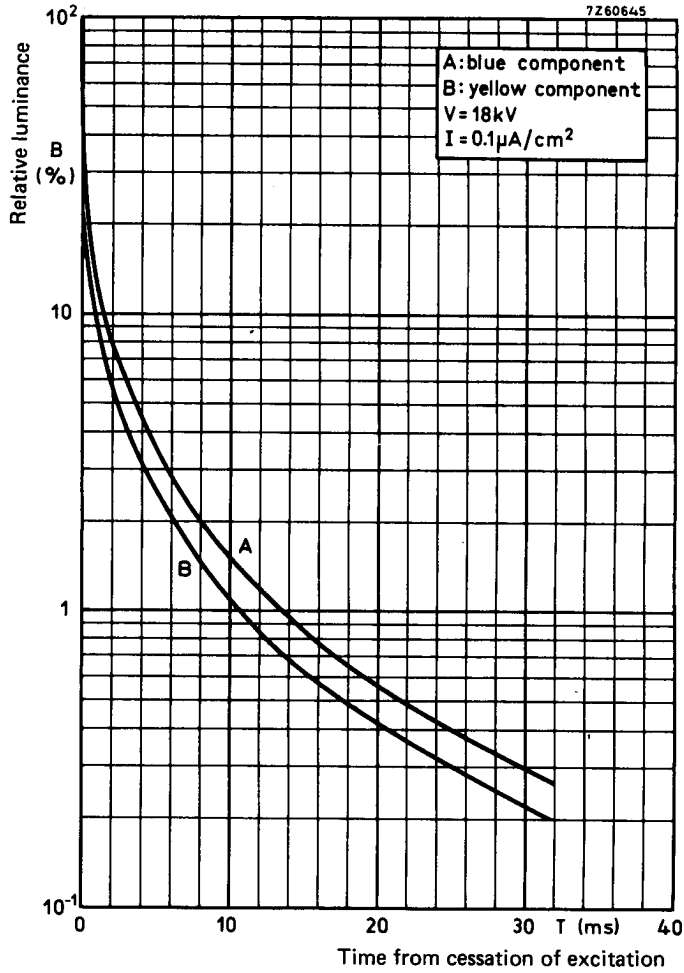


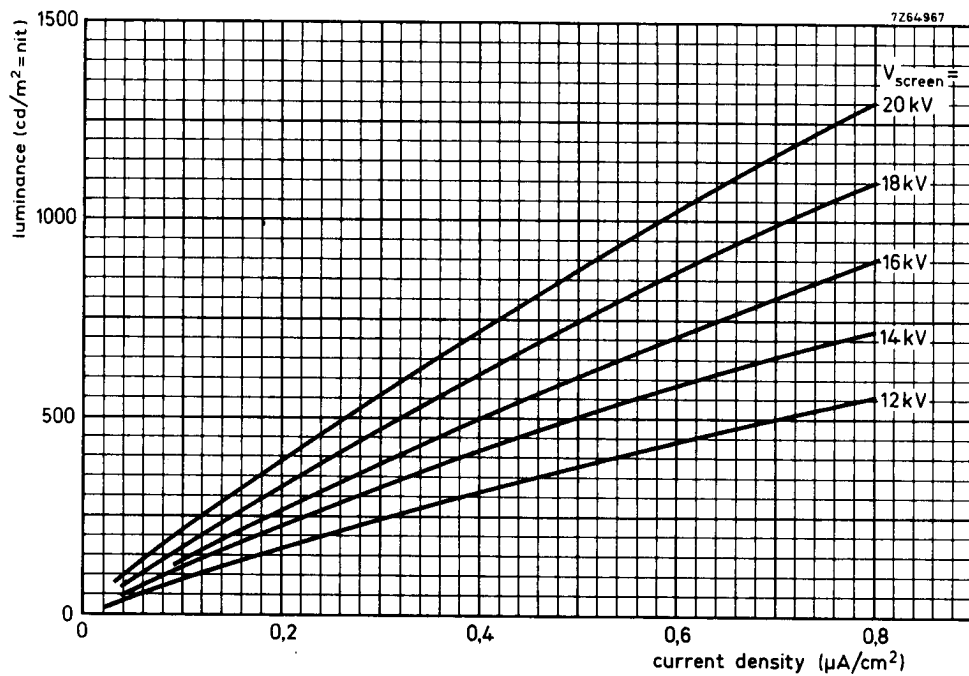




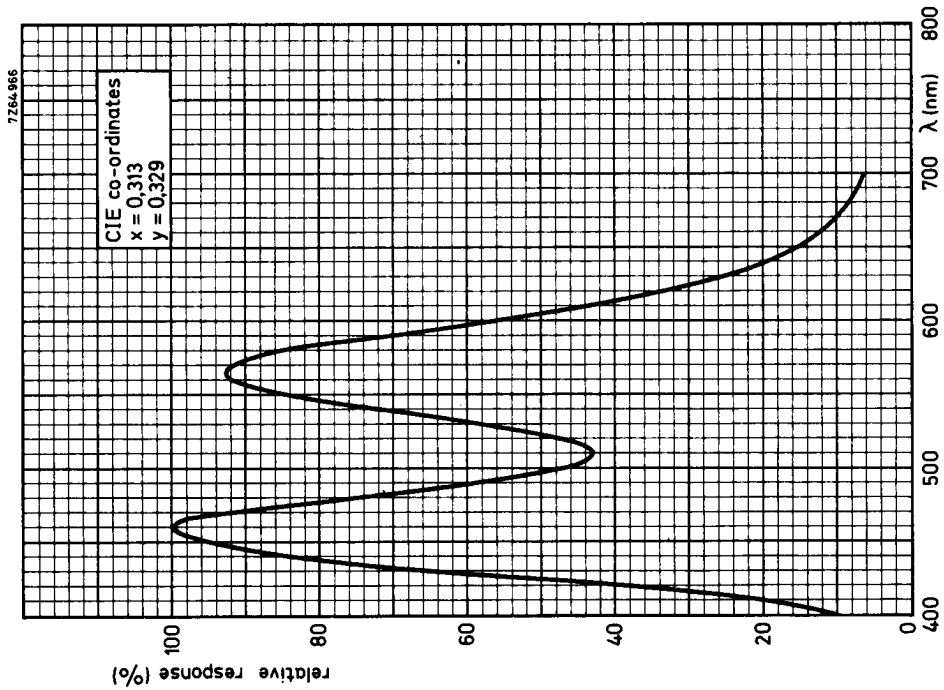
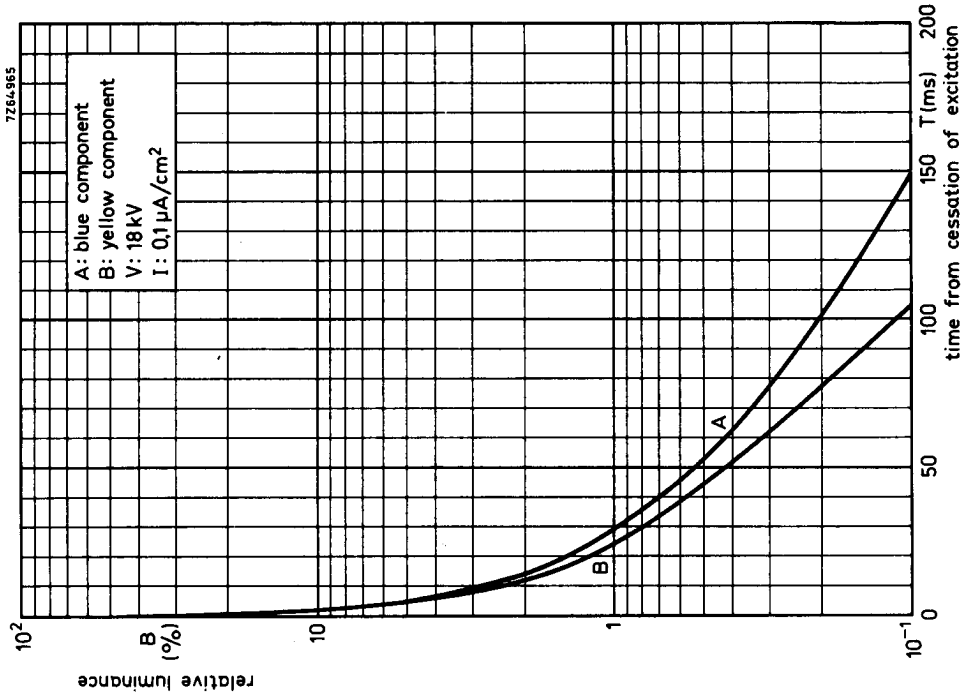


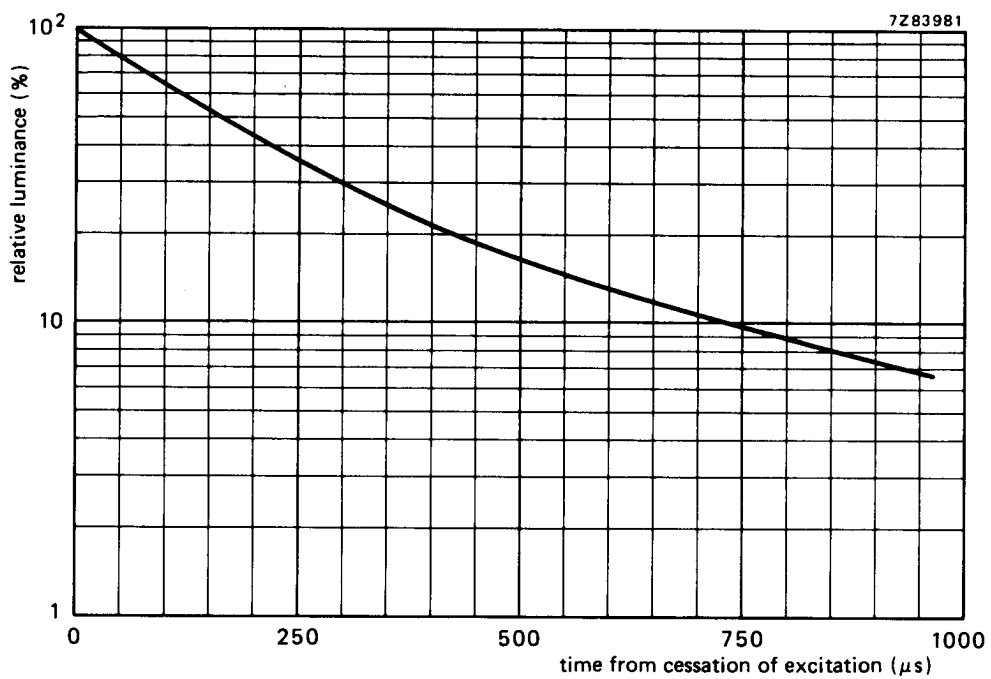
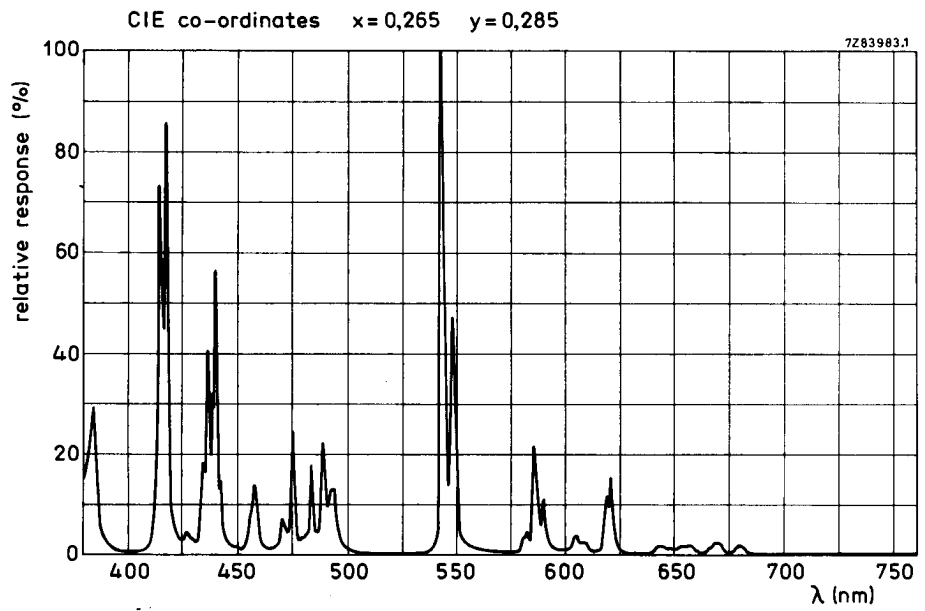




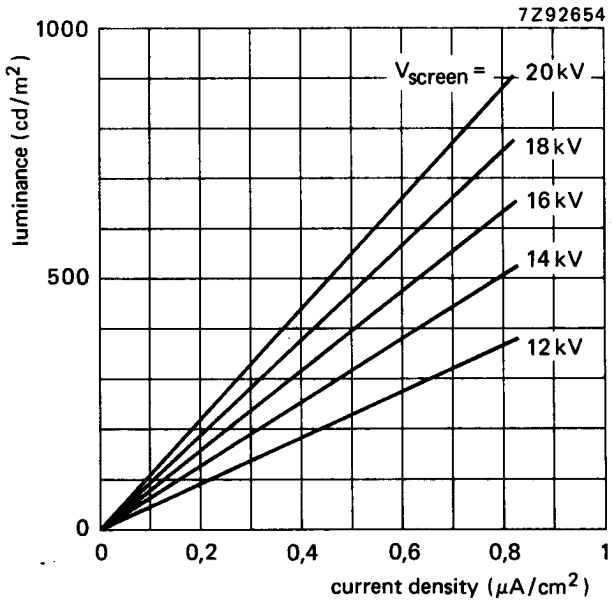


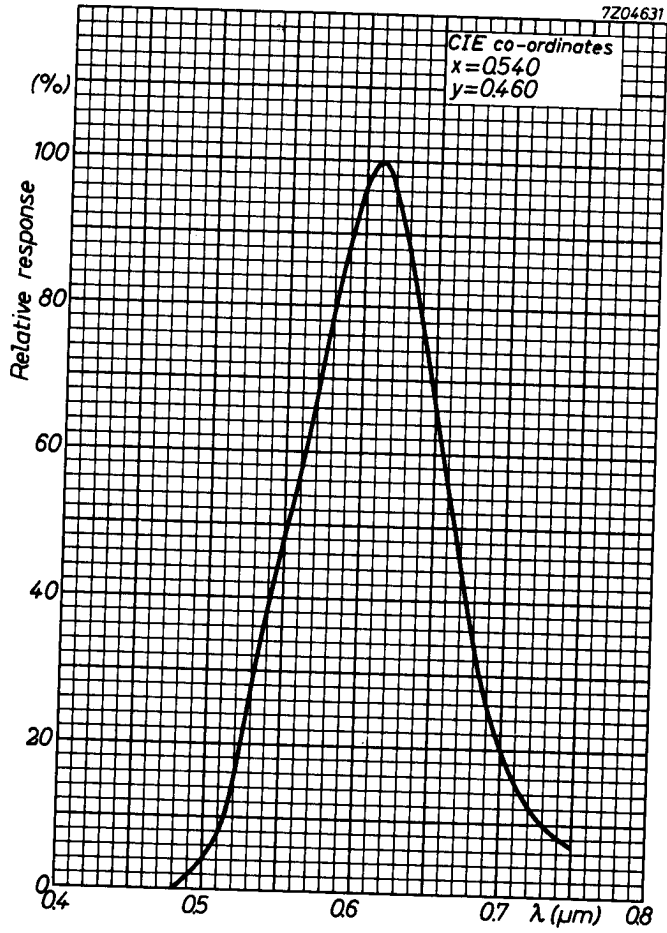






Measured with defocused spot; pulse duration: 5 ms,  $V_{\text{screen}} = 5$  kV,  $I_{\text{screen}} = 5$   $\mu$ A.





## INSTRUMENT TUBES

## SURVEY OF INSTRUMENT TUBES

	monoaccelerator tubes	post-deflection accelerator tubes	large bandwidth tubes	direct-view storage tubes
<b>PREFERRED TYPES : recommended for new design</b>				
	D7-221GY D7-222GY D10-180GY D10-181GY D12-130GY/119 D12-160GY/119 D14-363GY/123 D14-364GY/123 D18-180GY/127	D12-150GH/119 D14-371GH/123 D14-372GH/123 D14-381GH/123 D14-382GH/123 D18-190GH/127	D14-400GH/123	L14-140GH/95 L14-150GH/95
<b>MAINTENANCE TYPES: no longer recommended for equipment production</b>				
		D14-302GH/93		L14-131GH/55
<b>OBSOLESCENT TYPES: available until present stocks are exhausted</b>				
	D7-190.. D7-191.. D10-160.. D10-161.. D13-480.. D13-481.. D14-361.. D14-361../93 D14-362.. D14-362../93	D12-120GH/115 D14-120GH D14-121GH D14-122GH D14-123GH D14-162GH/09 D14-261GH D14-262GH D14-292GH D14-370GH/93 D14-380GH/93 D18-120.. E14-100GH E14-101GH	D14-240GH/37	L14-111GH/55



7 cm diameter flat faced monoaccelerator oscilloscope tube primarily intended for use in inexpensive oscilloscopes and monitoring devices.

QUICK REFERENCE DATA			
Accelerator voltage	$V_{g2, g4, g5, l}$	1000	V
Display area		60 x 50	mm <sup>2</sup>
Deflection coefficient, horizontal	$M_x$	29	V/cm
vertical	$M_y$	11.5	V/cm

#### SCREEN

	colour	persistence
D7-190GH	green	medium short
D7-190GM	yellowish green	long

Useful screen diameter min. 64 mm

Useful scan

horizontal min. 60 mm

vertical min. 50 mm

The useful scan may be shifted vertically to a maximum of 4mm with respect to the geometric centre of the faceplate.

**HEATING:** Indirect by AC or DC; parallel supply

Heater voltage  $V_f$  6.3 V

Heater current  $I_f$  300 mA

**MECHANICAL DATA**

Dimensions in mm

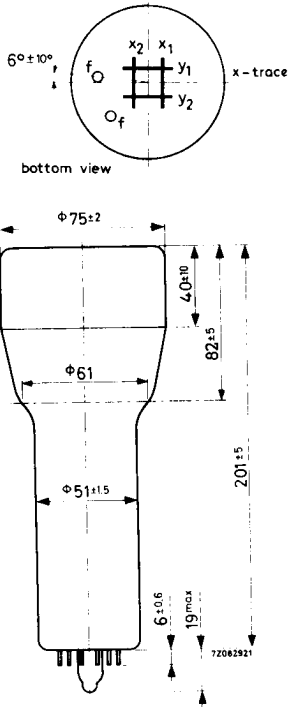


Fig. 1 Outlines.

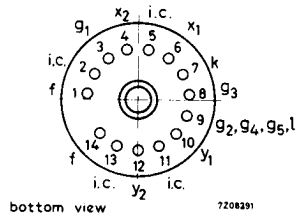


Fig. 2 Pin arrangement.

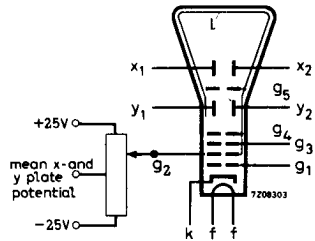


Fig. 3 Electrode configuration.

Mounting position: any

The tube should not be supported by the base alone and under no circumstances should the socket be allowed to support the tube.

Dimensions and connections

See also outline drawing

Overall length	max.	225	mm
Face diameter	max.	77	mm

Base 14 pin all glass

<u>Net weight</u>	approx.	260	g
-------------------	---------	-----	---

Accessories

Socket (supplied with tube)	type	55566
Mu-metal shield	type	55534



**CAPACITANCES**

$x_1$ to all other elements except $x_2$	$C_{x1(x2)}$	4	pF
$x_2$ to all other elements except $x_1$	$C_{x2(x1)}$	4	pF
$y_1$ to all other elements except $y_2$	$C_{y1(y2)}$	3.5	pF
$y_2$ to all other elements except $y_1$	$C_{y2(y1)}$	3	pF
$x_1$ to $x_2$	$C_{x1x2}$	1.6	pF
$y_1$ to $y_2$	$C_{y1y2}$	1.1	pF
Control grid to all other elements	$C_{g1}$	5.5	pF
Cathode to all other elements	$C_k$	4.0	pF

**FOCUSING** electrostatic**DEFLECTION** double electrostatic

see note 3

x plates symmetrical

y plates symmetrical

If use is made of the full deflection capabilities of the tube the deflection plates will intercept part of the electron beam, hence a low impedance deflection plate drive is desirable.

Angle between x and y traces

 $90 \pm 1^\circ$ **LINE WIDTH** see note 3

Measured with the shrinking raster method in the centre of the screen under typical operating conditions, adjusted for optimum spot size at a beam current  $I_l = 10 \mu A$ . (1)

Line width

l. w. 0.28 mm

As the construction of this tube does not permit a direct measurement of the beam current, this current should be determined as follows:

a) under typical operating conditions, apply a small raster display (no overscan), adjust  $V_{g1}$  for a beam current of approx.  $10 \mu A$  and adjust  $V_{g3}$  and  $V_{g2}, g4, g5, l$  for optimum spot quality at the centre of the screen.

b) under these conditions, but no raster, the deflection plate voltages should be changed to

$V_{y1} = V_{y2} = 1000$  V;  $V_{x1} = 300$  V;  $V_{x2} = 700$  V, thus directing the total beam current to  $x_2$ .

Measure the current on  $x_2$  and adjust  $V_{g1}$  for  $I_{x2} = 10 \mu A$  (being the beam current  $I_l$ )

c) set again for the conditions under a), without touching the  $V_{g1}$  control. Now a raster display with a true  $10 \mu A$  screen current is achieved.

d) focus optimally in the centre of the screen (do not adjust the astigmatism control) and measure the line width.

## TYPICAL OPERATING CONDITIONS 3)

Accelerator voltage	$V_{g2,g4,g5,\ell}$	1000 V
Astigmatism control voltage	$\Delta V_{g2,g4,g5,\ell}$	$\pm 25$ V 1)
Focusing electrode voltage	$V_{g3}$	100 to 180 V
Control grid voltage for visual extinction of focused spot	$V_{g1}$	max. -35 V
Grid drive for 10 $\mu$ A screen current		approx. 10 V
Deflection coefficient, horizontal	$M_x$	29 V/cm
		max. 31 V/cm
vertical	$M_y$	11,5 V/cm
		max. 12,5 V/cm
Deviation of linearity of deflection		max. 1 % 2)
Geometry distortion		see note 4
Useful scan, horizontal		min. 60 mm
vertical		min. 50 mm

## LIMITING VALUES (Absolute max. rating system)

Accelerator	$V_{g2,g4,g5,\ell}$	max. 2200 V
		min. 900 V
Focusing electrode voltage	$V_{g3}$	max. 2200 V
Control grid voltage, negative	$-V_{g1}$	max. 200 V
		min. 0 V
Cathode to heater voltage	$V_{kf}$	max. 125 V
	$-V_{kf}$	max. 125 V
Grid drive, average		max. 20 V
Screen dissipation	$W_{\ell}$	max. 3 mW/cm <sup>2</sup>
Control grid circuit resistance	$R_{g1}$	max. 1 M $\Omega$

1. All that will be necessary when putting the tube into operation is to adjust the astigmatism control voltage once for optimum spot shape in the screen centre. The control voltage will always be in the range stated, provided the mean x plate and certainly the mean y plate potential was made equal to  $V_{g2,g4,g5,\ell}$  with zero astigmatism correction.
2. The sensitivity at a deflection of less than 75% of the useful scan will not differ from the sensitivity at a deflection of 25% of the useful scan by more than the indicated value.
3. The mean x and certainly the mean y plate potential should be equal to  $V_{g2,g4,g5,\ell}$  with astigmatism adjustment set to zero.
4. A graticule, consisting of concentric rectangles of 40 mm x 50 mm and 39,2 mm x 49 mm is aligned with the electrical x-axis of the tube. The edges of a raster will fall between these rectangles.



## INSTRUMENT CATHODE-RAY TUBE

7 cm diameter flat-faced monoaccelerator oscilloscope tube with low heater consumption.

### QUICK REFERENCE DATA

Accelerator voltage	$V_{g2, g4, g5 (\ell)}$	1000 V
Display area		60 x 50 mm <sup>2</sup>
Deflection coefficient		
horizontal	$M_x$	29 V/cm
vertical	$M_y$	11,5 V/cm

The D7-191 is equivalent to the type D7-190.. except for the following.

### HEATING

Indirect by AC or DC; parallel supply

Heater voltage	$V_f$	6,3 V
Heater current	$I_f$	95 mA

### LIMITING VALUES (Absolute maximum rating system)

Cathode to heater voltage			
positive	$V_{k/f}$	max.	100 V
negative	$-V_{k/f}$	max.	15 V

### CAPACITANCES

Cathode to all other elements	$C_k$	2,3 pF
-------------------------------	-------	--------

## INSTRUMENT CATHODE-RAY TUBE

7 cm diagonal, rectangular flat faced mono accelerator oscilloscope tube primarily for use in inexpensive oscilloscopes and monitors. This tube features a low heater power consumption.

### QUICK REFERENCE DATA

Accelerator voltage	$V_{g2, g4, g5(\ell)}$	1000 V
Display area		60 mm x 36 mm
Deflection coefficient		
horizontal	$M_x$	12,5 V/cm
vertical	$M_y$	20 V/cm

The D7-221GY is equivalent to the type D7-222GY except for the following.

### HEATING

Indirect by a.c. or d.c. \*

Heater voltage	$V_f$	6,3 V
Heater current	$I_f$	0,1 A

### LIMITING VALUES (Absolute maximum rating system)

Cathode to heater voltage		
positive	$V_{kf}$	max. 100 V
negative	$-V_{kf}$	max. 15 V

### CAPACITANCES

Cathode to all other elements	$C_k$	3 pF
-------------------------------	-------	------

\* Not to be connected in series with other tubes.

## INSTRUMENT CATHODE-RAY TUBE

7 cm diagonal, rectangular flat faced mono accelerator oscilloscope tube primarily for use in inexpensive oscilloscopes and monitors. This tube features a 1,5 W cathode with short warm-up time (quick-heating cathode).

### QUICK REFERENCE DATA

Accelerator voltage	$V_{g2, g4, g5 (R)}$	1000 V
Display area		60 mm x 36 mm
Deflection coefficient		
horizontal	$M_x$	12,5 V/cm
vertical	$M_y$	20 V/cm

### OPTICAL DATA

Screen		
phosphor type		GY, colour green
persistence		medium
Useful screen dimensions		$\geq 60$ mm x 36 mm
Useful scan		
horizontal	$\geq$	60 mm
vertical	$\geq$	36 mm
Spot eccentricity in horizontal and vertical directions	$<$	5 mm

### HEATING

Indirect by a.c. or d.c. \*

Heater voltage	$V_f$	6,3 V
Heater current	$I_f$	0,24 A

### MECHANICAL DATA

Mounting position: any

The tube should not be supported by the base alone and under no circumstances should the socket be allowed to support the tube.

Net mass	approx. 350 g
Base	12-pin all glass; JEDEC B12-246

\* Not to be connected in series with other tubes.

**Dimensions and connections**

See also outline drawing

Overall length	≤	225 mm
Faceplate dimensions	≤	72,5 x 49 mm

**Accessories**

Socket, supplied with tube	type 55589/55594
Mu-metal shield	type 55535

**FOCUSING**

electrostatic

**DEFLECTION**

double electrostatic

x-plates

symmetrical

y-plates

symmetrical

Angle between x and y-traces

 $90 \pm 1^\circ$ 

Angle between x-trace and horizontal axis of the face

 $\leq 3^\circ *$ 

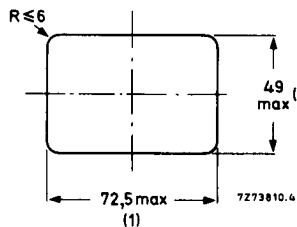
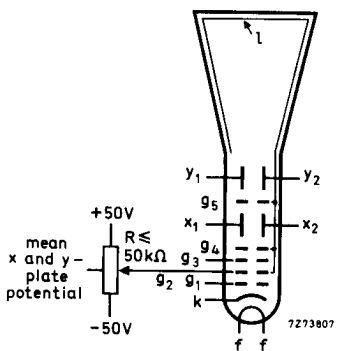
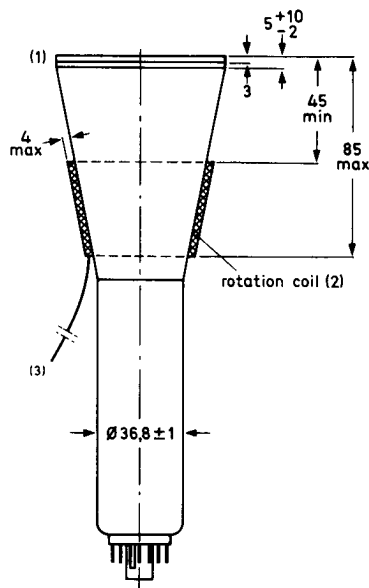
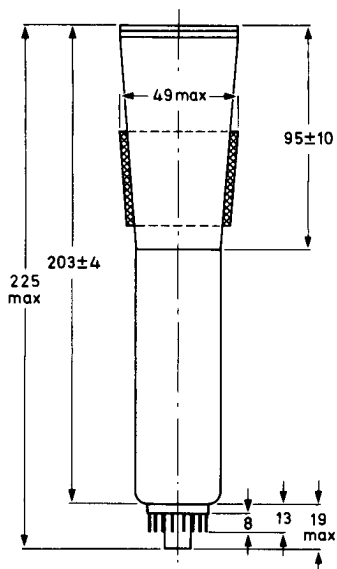
If use is made of the full deflection capabilities of the tube the deflection plates will block part of the electron beam, hence a low impedance deflection plate drive is desirable.

**CAPACITANCES**

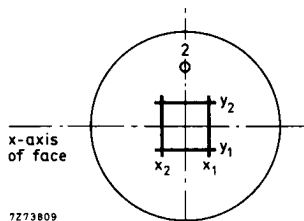
x <sub>1</sub> to all other elements except x <sub>2</sub>	C <sub>x1(x2)</sub>	3 pF
x <sub>2</sub> to all other elements except x <sub>1</sub>	C <sub>x2(x1)</sub>	3 pF
y <sub>1</sub> to all other elements except y <sub>2</sub>	C <sub>y1(y2)</sub>	4 pF
y <sub>2</sub> to all other elements except y <sub>1</sub>	C <sub>y2(y1)</sub>	4 pF
x <sub>1</sub> to x <sub>2</sub>	C <sub>x1x2</sub>	1,5 pF
y <sub>1</sub> to y <sub>2</sub>	C <sub>y1y2</sub>	1,8 pF
Control grid to all other elements	C <sub>g1</sub>	5,5 pF
Cathode to all other elements	C <sub>k</sub>	3 pF

\* The tube is provided with a rotation coil, concentrically wound around the tube neck, enabling the alignment of the x-trace with the mechanical x-axis of the screen. The coil has 1000 turns and a maximum resistance of 250 Ω. Under typical operating conditions, a maximum of 10 ampere-turns are required for the maximum rotation of 3°. This means the required current is 10 mA maximum at a required voltage of 2,5 V maximum.

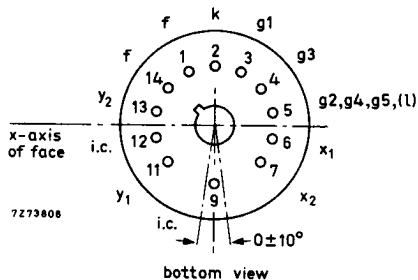
DIMENSIONS AND CONNECTIONS



- (1) The bulge at the frit seal does not exceed the maximum dimensions.
- (2) The coil is fixed to the envelope by means of adhesive tape.
- (3) The length of the connecting leads of the rotation coil is min. 350 mm.



bottom view



bottom view

## TYPICAL OPERATION

## Conditions (note 1)

Accelerator voltage	$V_{g2, g4, g5(\ell)}$	1000 V	
Astigmatism control voltage	$\Delta V_{g2, g4, g5(\ell)}$	$\pm 50$ V	(note 2)
Focusing electrode voltage	$V_{g3}$	100 to 180 V	
Cut-off voltage for visual extinction of focused spot	$-V_{g1}$	11 to 35 V	

## Performance

Useful scan			
horizontal		>	60 mm
vertical		>	36 mm
Deflection coefficient			
horizontal	$M_x$	<	12,5 V/cm
		<	13,8 V/cm
vertical	$M_y$	<	20 V/cm
		<	22 V/cm
Line width	l.w.		0,28 mm (note 3)
Deviation of linearity of deflection		<	2 % (note 4)
Grid drive for 10 $\mu$ A screen current	$V_d$	$\approx$	10 V
Geometry distortion	see note 5		

## NOTES

- The mean x-plate potential and the mean y-plate potential should be equal to  $V_{g2, g4, g5(\ell)}$  (with astigmatism control voltage set to zero).
- When putting the tube into operation the astigmatism control voltage should be adjusted only once for optimum spot size in the centre of the screen. The control voltage will be within the stated range, provided the conditions of note 1 are adhered to.
- Measured with the shrinking raster method in the centre of the screen under typical operating conditions, adjusted for optimum spot size at a beam current  $I_\ell = 10 \mu\text{A}$ .  
As the construction of the tube does not permit a direct measurement of the beam current, this current should be determined as follows.
  - Under typical operating conditions, apply a small raster display (no overscan), adjust  $V_{g1}$  for a beam current of approx. 10  $\mu\text{A}$  and adjust  $V_{g3}$  and  $V_{g2, g4, g5(\ell)}$  for optimum spot quality at the centre of the screen.
  - Under these conditions, but without raster, the deflection plate voltages should be changed to:  $V_{x1} = V_{x2} = 1000$  V;  $V_{y1} = 300$  V;  $V_{y2} = 700$  V, thus directing the total beam current to  $y_2$ . Measure the current on  $y_2$  and adjust  $V_{g1}$  for  $I_{y2} = 10 \mu\text{A}$ .
  - Set again for the conditions under a), without touching the  $V_{g1}$  control. The screen current of the resulting raster display is now 10  $\mu\text{A}$ .
  - Focus optimally in the centre of the screen (do not adjust the astigmatism control) and measure the line width.
- The sensitivity at a deflection of less than 75% of the useful scan will not differ from the sensitivity at a deflection of 25% of the useful scan by more than the indicated value.
- A graticule, consisting of concentric rectangles of 57,0 mm x 33,0 mm and 56 mm x 31,6 mm is aligned with the electrical x-axis of the tube. The edges of a raster will fall between these rectangles.



**LIMITING VALUES** (Absolute maximum rating system)

Accelerator voltage	$V_{g2, g4, g5(\ell)}$	max.	2200 V
Focusing electrode voltage	$V_{g3}$	max.	2200 V
Control grid voltage	$-V_{g1}$	max.	200 V
		min.	0 V
Cathode to heater voltage		max.	125 V
		max.	125 V
Grid drive, averaged over 1 ms	$V_d$	max.	20 V
Screen dissipation	$W_{\ell}$	max.	3 mW/cm <sup>2</sup>
Control grid circuit resistance	$R_{g1}$	max.	1 M $\Omega$



## INSTRUMENT CATHODE-RAY TUBE

10 cm diameter flat faced monoaccelerator oscilloscope tube primarily intended for use in inexpensive oscilloscopes and read-out devices.

QUICK REFERENCE DATA		
Accelerator voltage	$V_{g_2, g_4, g_5(l)}$	1500 V
Display area		80 x 60 mm <sup>2</sup>
Deflection coefficient, horizontal	$M_x$	32 V/cm
	vertical	$M_y$ 13.7 V/cm

### SCREEN

	colour	persistence
D10-160GH	green	medium short
D10-160GM	yellowish green	long

Useful screen diameter min. 85 mm

#### Useful scan

horizontal min. 80 mm

vertical min. 60 mm

The useful scan may be shifted vertically to a max. of 5 mm with respect to the geometric centre of the faceplate.

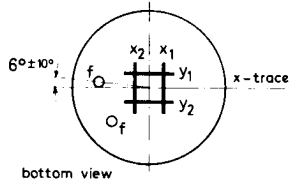
### HEATING: Indirect by AC or DC; parallel supply

Heater voltage  $V_f$  6.3 V

Heater current  $I_f$  300 mA

**MECHANICAL DATA**

Dimensions in mm



bottom view

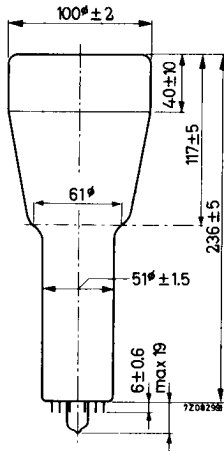
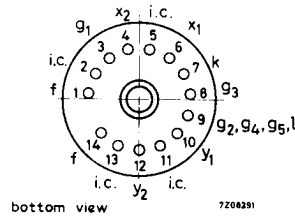


Fig. 1 Outlines.



bottom view

Fig. 2 Pin arrangement.

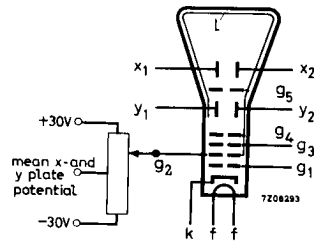


Fig. 3 Electrode configuration.

Mounting position

The tube should not be supported by the base alone and under no circumstances should the socket be allowed to support the tube.

Dimensions and connections

See also outline drawing

Overall length max. 260 mm

Face diameter max. 102 mm

Base 14 pin all glass

Net weight approx. 400 g

Accessories

Socket (supplied with tube) type 55566

Mu metal shield type 55547

**CAPACITANCES**

$x_1$ to all other elements except $x_2$	$C_{x1(x2)}$	4 pF
$x_2$ to all other elements except $x_1$	$C_{x2(x1)}$	4 pF
$y_1$ to all other elements except $y_2$	$C_{y1(y2)}$	3,5 pF
$y_2$ to all other elements except $y_1$	$C_{y2(y1)}$	3 pF
$x_1$ to $x_2$	$C_{x1x2}$	1,6 pF
$y_1$ to $y_2$	$C_{y1y2}$	1,1 pF
Control grid to all other elements	$C_{g1}$	5,5 pF
Cathode to all other elements	$C_k$	4 pF

**FOCUSING** electrostatic**DEFLECTION** double electrostatic see note 3

x plates symmetrical

y plates symmetrical

If use is made of the full deflection capabilities of the tube the deflection plates will intercept part of the electron beam, hence a low impedance deflection plate drive is desirable.

Angle between x and y traces  $90 \pm 1^\circ$ **LINE WIDTH**

Measured with the shrinking raster method in the centre of the screen under typical operating conditions, adjusted for optimum spot size at a beam current  $I_\varrho = 10 \mu\text{A}$ .

Line width l.w. 0,27 mm

As the construction of this tube does not permit a direct measurement of the beam current, this current should be determined as follows:

- under typical operating conditions, apply a small raster display (no overscan), adjust  $V_{g1}$  for a beam current of approx.  $10 \mu\text{A}$  and adjust  $V_{g3}$  and  $V_{g2}$ ,  $g4$ ,  $g5$ ,  $\varrho$  for optimum spot quality at the centre of the screen.
- under these conditions, but no raster, the deflection plate voltages should be changed to:  $V_{y1} = V_{y2} = 1500 \text{ V}$ ;  $V_{x1} = 800 \text{ V}$ ;  $V_{x2} = 1200 \text{ V}$ , thus directing the total beam current to  $x_2$ . Measure the current on  $x_2$  and adjust  $V_{g1}$  for  $I_{x2} = 10 \mu\text{A}$  (being the beam current  $I_\varrho$ ).
- set again for the conditions under a), without touching the  $V_{g1}$  control. Now a raster display with a true  $10 \mu\text{A}$  screen current is achieved.
- focus optimally in the centre of the screen (do not adjust the astigmatism control) and measure the line width.

**TYPICAL OPERATING CONDITIONS** see note 3

Accelerator voltage	$V_{g2, g4, g5, \ell}$	1500 V	
Astigmatism control voltage	$\Delta V_{g2, g4, g5, \ell}$	$\pm 30$ V	see note 1
Focusing electrode voltage	$V_{g3}$	140 to 275 V	
Control grid voltage for visual extinction of focused spot	$V_{g1}$	max. -50 V	
Grid drive for 10 $\mu$ A screen current		approx. 10 V	
Deflection coefficient, horizontal	$M_x$	32 V/cm	
		max. 34 V/cm	
vertical	$M_y$	13.7 V/cm	
		max. 14.5 V/cm	
Deviation of linearity of deflection		max. 1 %	see note 2
Geometry distortion		see note 4	
Useful scan, horizontal		min. 80 mm	
		vertical	min. 60 mm

**LIMITING VALUES** (Absolute max. rating system)

Accelerator voltage	$V_{g2, g4, g5, \ell}$	max. 2200 V	
		min. 1350 V	
Focusing electrode voltage	$V_{g3}$	max. 2200 V	
		Control grid voltage, negative	$-V_{g1}$
Cathode to heater voltage	$V_{kf}$ $-V_{kf}$	max. 125 V	
		max. 125 V	
Grid drive, average		max. 20 V	
Screen dissipation	$W_{\ell}$	max. 3 mW/cm <sup>2</sup>	
<b>Control grid circuit resistance</b>	<b><math>R_{g1}</math></b>	<b>max. 1 M<math>\Omega</math></b>	

**Notes**

1. All that will be necessary when putting the tube into operation is to adjust the astigmatism control voltage once for optimum spot shape in the screen centre. The control voltage will always be in the range stated, provided the mean x plate and certainly the mean y plate potential was made equal to  $V_{g2, g4, g5, \ell}$  with zero astigmatism correction.
2. The sensitivity at a deflection of less than 75% of the useful scan will not differ from the sensitivity at a deflection of 25% of the useful scan by more than the indicated value.
3. The mean x and certainly the mean y plate potentials should be equal to  $V_{g2, g4, g5, \ell}$  with astigmatism adjustment set to zero.
4. A graticule, consisting of concentric rectangles of 50 mm x 60 mm and 49 mm x 58.6 mm is aligned with the electrical x-axis of the tube. The edges of a raster will fall between these rectangles.



## INSTRUMENT CATHODE-RAY TUBE

10 cm diameter flat-faced monoaccelerator oscilloscope tube with low heater consumption.

### QUICK REFERENCE DATA

Accelerator voltage	$V_{g2, g4, g5} (\ell)$	1500 V
Display area		80 x 60 mm <sup>2</sup>
Deflection coefficient		
horizontal	$M_x$	32 V/cm
vertical	$M_y$	13,7 V/cm

The D10-161.. is equivalent to the type D10-160.. except for the following.

### HEATING

Indirect by AC or DC; parallel supply

Heater voltage	$V_f$	6,3 V
Heater current	$I_f$	95 mA

### LIMITING VALUES (Absolute maximum rating system)

Cathode to heater voltage		
positive	$V + k/f - \text{max.}$	100 V
negative	$V - k/f + \text{max.}$	15 V

### CAPACITANCES

Cathode to all other elements	$C_k$	2,3 pF
-------------------------------	-------	--------

## INSTRUMENT CATHODE-RAY TUBE

- mono accelerator
- 10 cm diagonal rectangular flat face
- dynamic deflection defocusing correction
- internal magnetic correction for astigmatism and vertical eccentricity
- quick-heating cathode
- for portable oscilloscopes with up to 25 MHz bandwidth, and read-out devices

### QUICK REFERENCE DATA

Accelerator voltage	$V_{g2(l)}$	2000 V
Minimum useful scan area		70 x 56 mm
Deflection coefficient		
horizontal	$M_x$	36 V/cm
vertical	$M_y$	23 V/cm

### OPTICAL DATA

Screen			
type		GY, colour green	
persistence		medium	
Useful screen area	$\geq$	70 x 56 mm	
Useful scan area	$\geq$	70 x 56 mm	
Spot eccentricity			
in horizontal direction	$\leq$	6 mm	
in vertical direction	$\leq$	3 mm	note 2, last page

### HEATING

Indirect by a.c. or d.c.\*

Heater voltage	$V_f$	6,3 V
Heater current	$I_f$	0,24 A
Heating time to attain 10% of the cathode current at equilibrium conditions	approx.	5 s

\* Not to be connected in series with other tubes.

**MECHANICAL DATA****Dimensions and connections** (see also outline drawing)

Overall length (socket included)  $\leq 240$  mm  
 Faceplate dimensions  $82 \pm 1$  mm x  $69 \pm 1$  mm

**Net mass** approx. 450 g

**Base** 12 pin, all glass,  
JEDEC B12-246

**Mounting**

The tube can be mounted in any position. It must not be supported by the base alone or near the base region and under no circumstances should the socket be allowed to support the tube.

**Accessories**

Socket with solder tags type 55589/55594  
 Socket with printed-wiring pins type 55595

**FOCUSING**

electrostatic

**DEFLECTION**

x-plates double electrostatic  
 y-plates symmetrical  
 symmetrical

If use is made of the full deflection capabilities of the tube the deflection plates will block part of the electron beam, hence a low impedance deflection plate drive is desirable.



**DYNAMIC DEFLECTION DEFOCUSING CORRECTION**

The tube has a special electrode, positioned between the x and y-plates, for dynamic correction of deflection defocusing, to improve the uniformity of the extremely good line width up to the screen edges. If use is made of this dynamic correction, a negative voltage proportional to, and approx. 50% of, the negative horizontal deflection plate voltage should be applied to this electrode (grid 6).

The correction-circuit impedance must be  $\leq 100 \text{ k}\Omega$ . To prevent distortion, the output impedances of the x-amplifiers should be  $\leq 10 \text{ k}\Omega$ .

If no correction is required, grid 6 should be connected to mean x-plate potential ( $V_{g2(\ell)}$ ).

Angle between x and y-traces  $90 \pm 1^\circ$

Angle between x-trace and x-axis of the face plate  $\leq 5^\circ*$

**CAPACITANCES** (approx. values)

$x_1$ to all other elements except $x_2$	$C_{x1(x2)}$	4,5 pF
$x_2$ to all other elements except $x_1$	$C_{x2(x1)}$	4,5 pF
$y_1$ to all other elements except $y_2$	$C_{y1(y2)}$	3,5 pF
$y_2$ to all other elements except $y_1$	$C_{y2(y1)}$	3,5 pF
$x_1$ to $x_2$	$C_{x1x2}$	2 pF
$y_1$ to $y_2$	$C_{y1y2}$	1 pF
Control grid to all other elements	$C_{g1}$	6 pF
Cathode to all other elements	$C_k$	2,7 pF

\* The tube has a trace rotation coil, fixed onto the lower cone part. The coil has 1000 turns and a typical resistance of  $165 \Omega$  at  $20^\circ\text{C}$  (max.  $250 \Omega$  at  $80^\circ\text{C}$ ). Approx. 5 mA causes  $1^\circ$  trace rotation. Thus maximum required voltage is approx. 11 V for tube tolerances ( $\pm 5^\circ$ ) and earth magnetic field with reasonable shielding ( $\pm 2^\circ$ ).

DIMENSIONS AND CONNECTIONS

Dimensions in mm

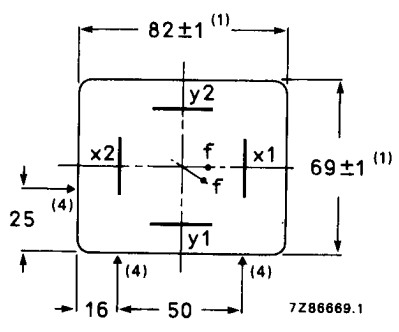
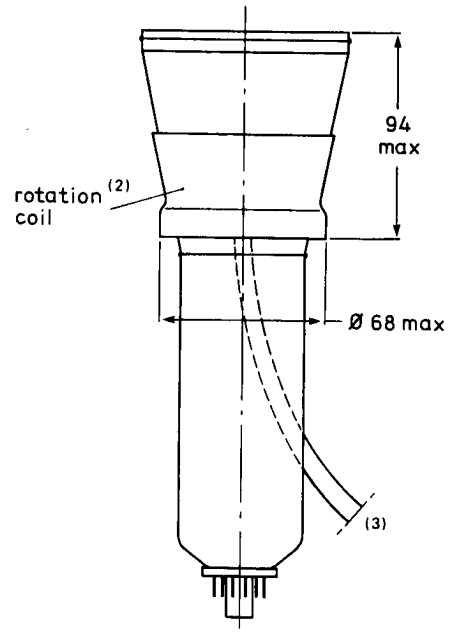
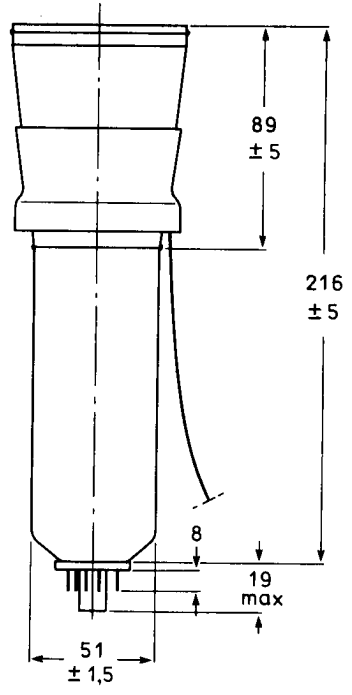


Fig. 1 Outlines; for notes see bottom of opposite page.

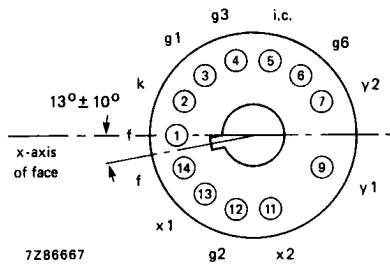


Fig. 2 Pin arrangement; bottom view.

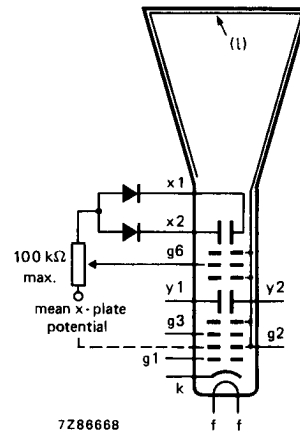


Fig. 3 Electrode configuration.

**Notes to the drawing on opposite page.**

1. Dimensions of face plate only. The complete assembly of face plate and cone (frit seal included) will pass through an opening of 85 mm x 72 mm (diagonal 107 mm).
2. The coil is fixed to the envelope with resin and adhesive tape.
3. The length of the connecting leads of the rotation coil is min. 350 mm.
4. Reference points on face plate for screen alignment.

**TYPICAL OPERATION\*****Conditions (note 1)**

Accelerator voltage	$V_{g2(\ell)}$	2000 V	
Astigmatism control voltage	$\Delta V_{g2(\ell)}$	0 V	note 2
Focusing electrode voltage	$V_{g3}$	220 to 360 V	
Cut-off voltage for visual extinction of focused spot	$-V_{g1}$	22 to 65 V	

**Performance**

Useful scan			
horizontal		$\geq$ 70 mm	
vertical		$\geq$ 56 mm	
Deflection coefficient			
horizontal	$M_x$	$\leq$ 36 V/cm	
		39 V/cm	
vertical	$M_y$	$\leq$ 23 V/cm	
		25,5 V/cm	
Line width at 10 $\mu$ A beam current	l.w.	$\approx$ 0,2 mm	note 3
Deviation of linearity of deflection		$\leq$ 2 %	note 4
Geometry distortion		see note 5	
Grid drive for 10 $\mu$ A screen current	$V_d$	$\approx$ 10 V	

**LIMITING VALUES (Absolute maximum rating system)**

Accelerator voltage	$V_{g2(\ell)}$	max. 2200 V
Focusing electrode voltage	$V_{g3}$	max. 2200 V
Voltage between accelerator electrode and grid 6	$V_{g2/g6}$	max. $\pm$ 500 V
Voltage between accelerator electrode and any deflection plate	$V_{g2/x/y}$	max. $\pm$ 500 V
Control grid voltage	$-V_{g1}$	max. 200 V min. 0 V
Cathode to heater voltage		
positive	$V_{kf}$	max. 125 V
negative	$-V_{kf}$	max. 125 V
Grid drive, averaged over 1 ms	$V_d$	max. 20 V
Screen dissipation	$W_{\ell}$	max. 3 mW/cm <sup>2</sup>
Control grid circuit resistance	$R_{g1}$	max. 1 M $\Omega$

\* Notes are on the next page.

## NOTES

1. The mean x-plate potential and the mean y-plate potential should be equal to  $V_{g2}(\ell)$ .
2. The tube features internal magnetic correction for spot shaping (astigmatism) and vertical eccentricity calibration. Correction is obtained at  $V_{g2} = 1800$  to  $2200$  V; optimum at  $V_{g2} = 2000$  V.
3. Measured with the shrinking raster method within the useful scan under typical operating conditions, adjusted for optimum focus and dynamic correction applied.  
As the construction of the tube does not permit a direct measurement of the beam current, this current should be determined as follows:
  - a) Under typical operating conditions, apply a small raster display (no overscan), adjust  $V_{g1}$  for a beam current of approx.  $10 \mu\text{A}$  and adjust  $V_{g3}$  for smallest spot size at the centre of the screen. When measuring the beam current, grid 6 should be connected to g2-potential and the diodes should be disconnected from the x-plates.
  - b) Under these conditions, but without raster, the deflection plate voltages should be changed to:  $V_{y1} = V_{y2} = 2000$  V;  $V_{x1} = 1300$  V;  $V_{x2} = 1700$  V, thus directing the total beam current to  $x_2$ . Measure the current on  $x_2$  and adjust  $V_{g1}$  for  $I_{x2} = 10 \mu\text{A}$ .
  - c) Set again for the conditions under a), without touching the  $V_{g1}$  control. The screen current of the resulting raster display is now  $10 \mu\text{A}$ .  
Adjust  $V_{g3}$  for optimum focus in the centre of the screen and apply dynamic correction to grid 6 for optimum vertical line width.
4. The sensitivity at a deflection of less than 75% of the useful scan will not differ from the sensitivity at a deflection of 25% of the useful scan by more than the indicated value.
5. A graticule consisting of concentric rectangles of  $70 \text{ mm} \times 56 \text{ mm}$  and  $68,4 \text{ mm} \times 54,4 \text{ mm}$  is aligned with the face plate (using the reference points). With optimum trace rotation correction, horizontal and vertical lines will fall between these rectangles.

## INSTRUMENT CATHODE-RAY TUBE

- mono accelerator
- 10 cm diagonal rectangular flat face
- dynamic deflection defocusing correction
- internal magnetic correction for astigmatism and vertical eccentricity
- low heater power consumption
- for portable oscilloscopes with up to 25 MHz bandwidth, and read-out devices

### QUICK REFERENCE DATA

Accelerator voltage	$V_{g2(l)}$	2000	V
Minimum useful scan area		70 x 56	mm
Deflection coefficient			
horizontal	$M_x$	36	V/cm
vertical	$M_y$	23	V/cm

The D10-181GY is equivalent to type D10-180GY except for the following.

### HEATING

Indirect by a.c. or d.c.\*

Heater voltage	$V_f$	6,3	V
Heater current	$I_f$	0,1	A

### LIMITING VALUES (Absolute maximum rating system)

Cathode to heater voltage			
positive	$V_{kf}$	max.	100 V
negative	$-V_{kf}$	max.	15 V

\* Not to be connected in series with other tubes.



## INSTRUMENT CATHODE-RAY TUBE

12 cm diagonal rectangular flat-faced oscilloscope tubes with mesh and metal-backed screen with internal graticule. For use in compact oscilloscopes.

### QUICK REFERENCE DATA

Final accelerator voltage	$V_{g8(l)}$	10 kV
Minimum useful scan area		80 mm x 64 mm
Deflection coefficient		
horizontal	$M_x$	15,6 V/div
vertical	$M_y$	4,1 V/div

### OPTICAL DATA

Screen	metal-backed phosphor
type	GH, colour green
persistence	medium short
Useful screen area	≥ 80 mm x 64 mm
Useful scan area	≥ 80 mm x 64 mm
Spot eccentricity in horizontal and vertical directions	≤ 0,6 div
Internal graticule	type 115; see Fig. 5

### HEATING

Indirect by AC or DC\*

Heater voltage	$V_f$	6,3 V
Heater current	$I_f$	0,1 A

\* Not to be connected in series with other tubes.

**MECHANICAL DATA****Dimensions and connections** (see also outline drawing)

Overall length (socket included)	$\leq 335$ mm
Faceplate dimensions	$86 \pm 2$ mm x $98 \pm 2$ mm
Net mass	approx. 700 g
Base	14 pin, all glass

**Mounting**

The tube can be mounted in any position. It should not be supported by the base alone and under no circumstances should the socket be allowed to support the tube.

**Accessories**

Socket, supplied with tube	type 55566
Side contact connector (5 required)	type 55561
Final accelerator contact connector	type 55563A

**FOCUSING**

electrostatic

**DEFLECTION**

double electrostatic

x-plates

symmetrical

y-plates

symmetrical

Angle between x and y-traces

 $90 \pm 1^\circ$ 

Angle between x-trace and x-axis of the internal graticule

 $\leq 5^\circ$  \*

If use is made of the full deflection capabilities of the tube the deflection plates will block part of the electron beam, hence a low impedance deflection plate drive is desirable.

**CAPACITANCES**

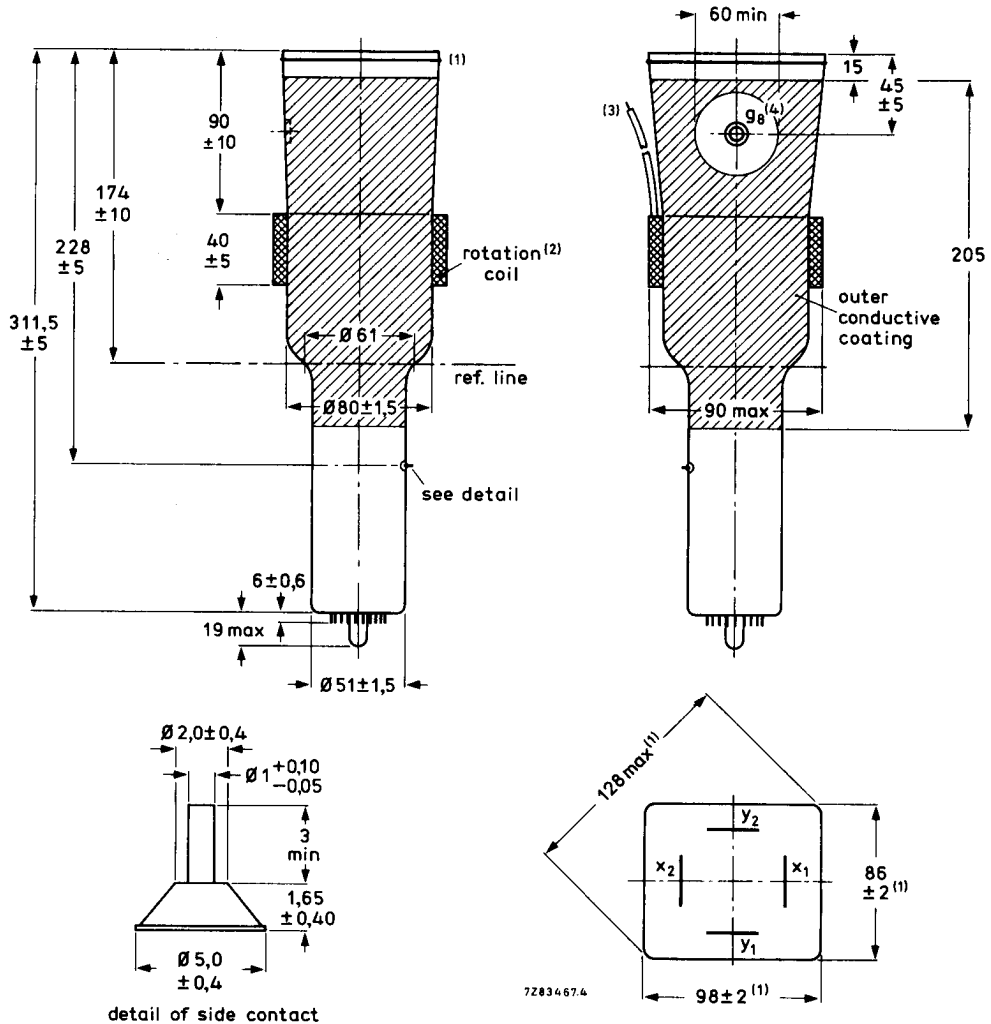
$x_1$ to all other elements except $x_2$	$C_{x1(x2)}$	5,3 pF
$x_2$ to all other elements except $x_1$	$C_{x2(x1)}$	5,3 pF
$y_1$ to all other elements except $y_2$	$C_{y1(y2)}$	3,6 pF
$y_2$ to all other elements except $y_1$	$C_{y2(y1)}$	3,6 pF
$x_1$ to $x_2$	$C_{x1x2}$	2,1 pF
$y_1$ to $y_2$	$C_{y1y2}$	1,7 pF
Control grid to all other elements	$C_{g1}$	5,5 pF
Cathode to all other elements	$C_k$	4,5 pF

\* The tube has a rotation coil, concentrically wound around the tube neck, to allow alignment of the x-trace with the mechanical x-axis of the screen. The coil has 1000 turns and a maximum resistance of  $150 \Omega$ . Under typical operating conditions, approx. 50 ampere-turns are required for the maximum rotation of  $5^\circ$ .



## DIMENSIONS AND CONNECTIONS

Dimensions in mm



- (1) The bulge at the frit seal may increase the indicated maximum dimensions by not more than 2,8 mm.
- (2) The coil is fixed to the envelope by means of adhesive tape.
- (3) Connection cable, comprising two wires for connection of the rotation coil, and one green wire for earthing the outer conductive coating. Minimum cable length is 120 mm.
- (4) The centre of the final accelerator contact is situated within a square of 10 mm x 10 mm around the true geometrical position.

Fig. 1 Outlines.

DIMENSIONS AND CONNECTIONS (continued)

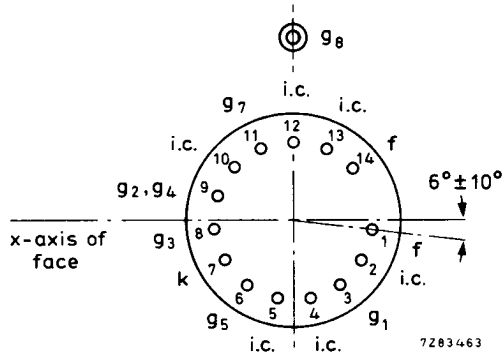


Fig. 2 Pin arrangement; bottom view.

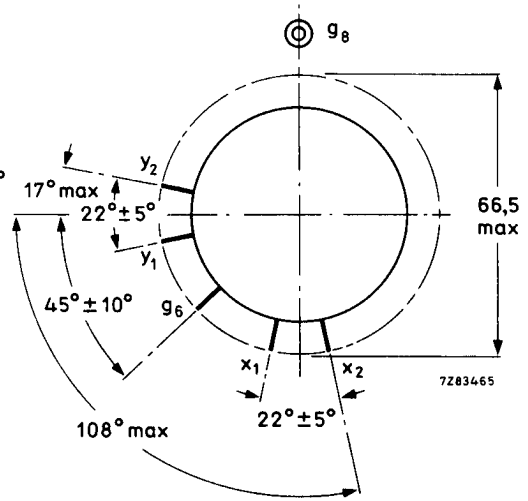


Fig. 3 Side-contact arrangement; bottom view.

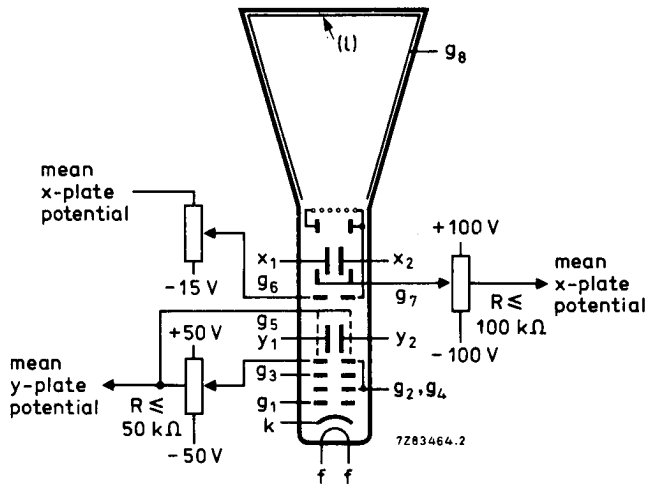


Fig. 4 Electrode configuration.

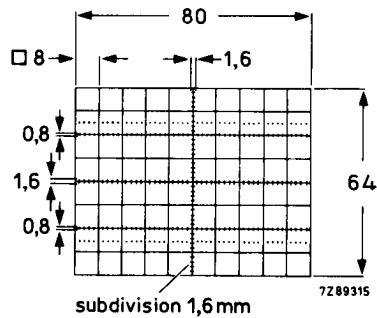


Fig. 5 Internal graticule.  
Line width = 0,15 mm;  
dot diameter = 0,32 mm.

## TYPICAL OPERATION

### Conditions

Final accelerator voltage	$V_{g8(\ell)}$	10 kV
Geometry control electrode voltage	$V_{g7}$	$1500 \pm 100$ V see note 1
Post deflection shield and interplate shield voltage	$V_{g6}$	1500 V
Background illumination control voltage	$\Delta V_{g6}$	0 to $-15$ V see note 1
Deflection plate shield voltage	$V_{g5}$	1500 V see note 2
Focusing electrode voltage	$V_{g3}$	250 to 350 V
First accelerator voltage	$V_{g2,g4}$	1500 V
Astigmatism control electrode voltage	$\Delta V_{g2,g4}$	$\pm 50$ V see note 3
Cut-off voltage for visual extinction of focused spot	$-V_{g1}$	18 to 60 V

### Performance

Useful scan	horizontal	$\geq$	80 mm
	vertical	$\geq$	64 mm
Deflection coefficient	horizontal	$M_x$	$\leq$ 15,6 V/div
			$\leq$ 17 V/div
	vertical	$M_y$	$\leq$ 4,1 V/div
			$\leq$ 4,5 V/div
Line width	l.w.	typ.	0,35 mm see note 4
Grid drive for 10 $\mu$ A screen current	$V_d$	approx.	12 V
Geometry distortion			see note 5
Deviation of deflection linearity			$\leq 2\%$ ; see note 6

**LIMITING VALUES** (Absolute maximum rating system)

Final accelerator voltage	$V_{g8(\ell)}$	max.	11 kV
Geometry control electrode voltage	$V_{g7}$	max.	2200 V
Post deflection shield and inter-plate shield voltage	$V_{g6}$	max.	2200 V
Deflection plate shield voltage	$V_{g5}$	max.	2200 V
Focusing electrode voltage	$V_{g3}$	max.	2200 V
First accelerator and astigmatism voltage	$V_{g2,g4}$	max. min.	2200 V 1350 V
Control grid voltage	$-V_{g1}$	max. min.	200 V 0 V
Cathode to heater voltage			
positive	$V_{kf}$	max.	100 V
negative	$-V_{kf}$	max.	15 V
Voltage between astigmatism control electrode and any deflection plate	$V_{g4/x}$ $V_{g4/y}$	max.	500 V 500 V
Grid drive, averaged over 1 ms	$V_d$	max.	20 V
Screen dissipation	$W_\ell$	max.	8 mW/cm <sup>2</sup>
Control grid circuit resistance	$R_{g1}$	max.	1 M $\Omega$

**Notes**

- The tube is designed for optimum performance when operating at a ratio  $V_{g8(\ell)}/V_{g2,g4} = 6,7$ . The geometry control electrode voltage  $V_{g7}$  should be adjusted within the indicated range (values with respect to the mean x-plate potential).  
A negative control voltage  $V_{g6}$  (with respect to the mean x-plate potential) will cause some pincushion distortion and less background light, a positive control voltage will give some barrel distortion, and a slight increase of background light. By the use of the two voltages  $V_{g6}$  and  $V_{g7}$ , the best compromise between background light and raster distortion can be found.
- The deflection plate shield voltage should be equal to the mean y-plate potential. The mean x-plate and y-plate potentials should be equal for optimum spot quality.
- The astigmatism control electrode voltage should be adjusted for optimum spot shape. For any necessary adjustment its potential will be within the stated range.
- Measured with the shrinking raster method in the centre of the screen, under typical operating conditions, adjusted for optimum spot size, at a beam current of 10  $\mu$ A.
- A graticule consisting of concentric rectangles of 80 mm x 64 mm and 78,2 mm x 62,6 mm is aligned with the electrical x-axis of the tube. With optimum corrections applied, the edges of a raster will fall between these rectangles.
- The sensitivity at a deflection of less than 75% of the useful scan will not differ from the sensitivity at a deflection of 25% of the useful scan by more than the indicated value.

## INSTRUMENT CATHODE-RAY TUBE

- mono accelerator
- 12 cm diagonal rectangular flat face
- dynamic deflection defocusing correction
- internal magnetic correction for astigmatism, vertical eccentricity and orthogonality
- low heater power consumption
- for portable oscilloscopes with up to 25 MHz bandwidth, and read-out devices

### QUICK REFERENCE DATA

Accelerator voltage	$V_{g2,g4,g5(\ell)}$	2000	V
Minimum useful scan area		80 mm x 64	mm
Deflection coefficient			
horizontal	$M_x$	32	V/cm
vertical	$M_y$	21	V/cm

### OPTICAL DATA

Screen	
type	GY, colour green
persistence	medium
Useful screen area	$\geq 82$ mm x 66 mm; note 1
Useful scan area	$\geq 80$ mm x 64 mm
Internal graticule	type 119; see Fig. 4

### HEATING

Indirect by a.c. or d.c.*	
Heater voltage	$V_f$ 6,3 V
Heater current	$I_f$ 0,1 A
Heating time to attain 10% of the cathode current at equilibrium conditions	approx. 7 s

\* Not to be connected in series with other tubes.

**MECHANICAL DATA****Dimensions and connections** (see also outline drawing)

Overall length (socket included)  $\leq 257$  mm  
Faceplate dimensions  $98 \pm 0,5$  mm x  $82 \pm 0,5$  mm

**Net mass** approx. 0,7 kg

**Base** 12-pin, all glass, JEDEC B12-246

**Mounting**

The tube can be mounted in any position. It must not be supported by the socket and not by the base region alone. The reference points on adjoining edges of the faceplate (see Fig. 4) enable the tube to be mounted accurately in the front panel, thus providing optimum alignment of the internal graticule.

**Accessories**

Socket with solder tags type 55594

Socket with printed-wiring pins type 55595

**FOCUSING**

electrostatic

**DEFLECTION**

x-plates

double electrostatic

y-plates

symmetrical

symmetrical

If use is made of the full deflection capabilities of the tube the deflection plates will block part of the electron beam, hence a low impedance deflection plate drive is desirable.

**DYNAMIC DEFLECTION DEFOCUSING CORRECTION**

The tube has a special electrode, positioned between the x and y-plates, for dynamic correction of deflection defocusing, to improve the uniformity of the extremely good line width up to the screen edges. If use is made of this dynamic correction, a negative voltage proportional to, and approx. 50% of, the negative horizontal deflection plate voltage should be applied to this electrode (grid 6).

The correction-circuit impedance must be  $\leq 100 \text{ k}\Omega$ . To prevent distortion, the output impedances of the x-amplifiers should be  $\leq 10 \text{ k}\Omega$ .

If no correction is required, grid 6 should be connected to mean x-plate potential ( $V_{g2(\ell)}$ ).

**CAPACITANCES (approx. values)**x<sub>1</sub> to all other elements except x<sub>2</sub>C<sub>x1(x2)</sub> 4,5 pFx<sub>2</sub> to all other elements except x<sub>1</sub>C<sub>x2(x1)</sub> 4,5 pFy<sub>1</sub> to all other elements except y<sub>2</sub>C<sub>y1(y2)</sub> 3,5 pFy<sub>2</sub> to all other elements except y<sub>1</sub>C<sub>y2(y1)</sub> 3,5 pFx<sub>1</sub> to x<sub>2</sub>C<sub>x1x2</sub> 2 pFy<sub>1</sub> to y<sub>2</sub>C<sub>y1y2</sub> 1 pF

Control grid to all other elements

C<sub>g1</sub> 6 pF

Cathode to all other elements

C<sub>k</sub> 2,7 pF

Grid 6 to all other elements

C<sub>g6</sub> 11 pF

DIMENSIONS AND CONNECTIONS

Dimensions in mm

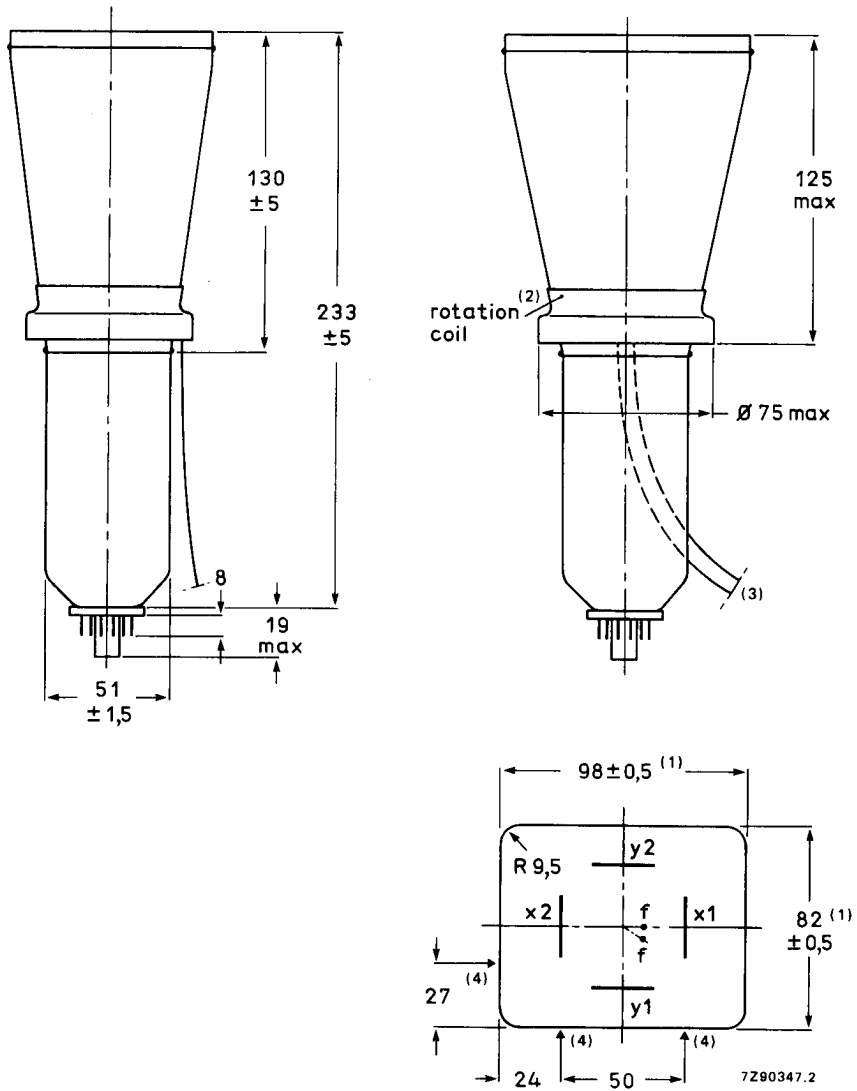
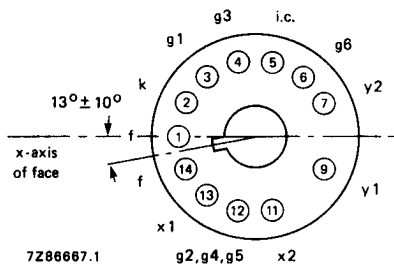


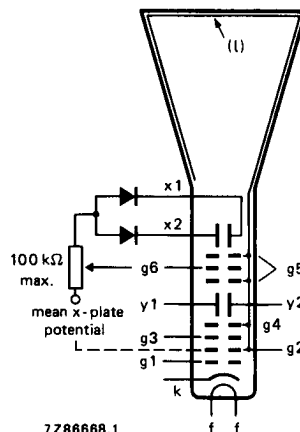
Fig. 1 Outlines.

- (1) Dimensions of faceplate only. The complete assembly of faceplate and cone (frit seal included) will pass through an opening of 101 mm x 85 mm.
- (2) The coil is fixed to the envelope with resin and adhesive tape.
- (3) The length of the connecting leads of the rotation coil is min. 350 mm.
- (4) Reference points on faceplate for graticule alignment (see Fig. 4).





7286667.1



7286668.1

Fig. 2 Pin arrangement; bottom view.

Fig. 3 Electrode configuration.

**Internal graticule**

The internal graticule is aligned with the faceplate by using the faceplate reference points, see Fig. 4. See also note 1.

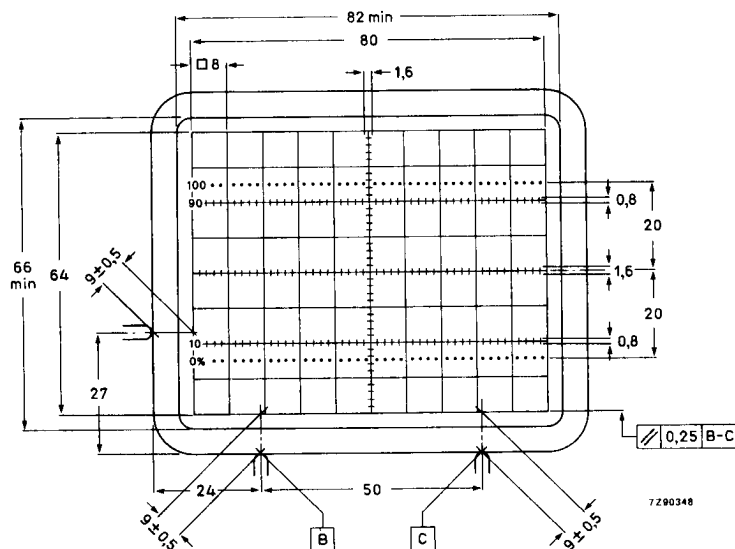


Fig. 4 Front view of tube with internal graticule, type 119.  
 Line thickness = 0,2 mm;  
 dot diameter = 0,4 mm;  
 colour: red.

**TYPICAL OPERATION** (voltages with respect to cathode)

<b>Conditions</b>					
Accelerator voltage	$V_{g2,g4,g5,(l)}$	2000	V		note 2
Astigmatism control voltage	$\Delta V_{g2,g4,g5,(l)}$	0	V		note 3
Focusing voltage	$V_{g3}$	220 to 360	V		note 4
Cut-off voltage for visual extinction of focused spot	$-V_{g1}$	22 to 65	V		note 5
<b>Performance</b>					
Deflection coefficient horizontal	$M_x$	$\leq$	32	V/cm	
			35	V/cm	
vertical	$M_y$	$\leq$	21	V/cm	
			23	V/cm	
Deviation of deflection linearity		$\leq$	2	%	note 6
Geometry distortion			see note 7		
Eccentricity of undeflected spot with respect to internal graticule horizontal		$\leq$	4	mm	note 3
		$\leq$	2	mm	note 3
Angle between x and y-traces			90°		note 3
Angle between x-trace and x-axis of the internal graticule		$\leq$	5°		note 8
Grid drive voltage for 10 $\mu$ A screen current	$V_d$	$\approx$	11	V	note 5
Line width	l.w.	$\approx$	0,2	mm	note 9

**LIMITING VALUES** (Absolute maximum rating system)

Accelerator voltage	$V_{g2,g4,g5,(l)}$	max.	2200	V	
Focusing voltage	$V_{g3}$	max.	2200	V	
Voltage between accelerator electrode and grid 6	$V_{g2/g6}$	max.	$\pm 500$	V	
Voltage between accelerator electrode and any deflection plate	$V_{g2/x/y}$	max.	$\pm 500$	V	
Control grid voltage	$-V_{g1}$	max.	200	V	
		min.	0	V	
Cathode to heater voltage	positive	$V_{kf}$	max.	125	V
		negative	$-V_{kf}$	max.	125
Heater voltage	$V_f$	max.	6,6	V	
		min.	6,0	V	
Grid drive voltage, averaged over 1 ms	$V_d$	max.	20	V	
Screen dissipation	$W_l$	max.	3	mW/cm <sup>2</sup>	
Control grid circuit resistance	$R_{g1}$	max.	1	M $\Omega$	

## NOTES

1. As the frit seal is visible through the faceplate, and not necessarily aligned with the internal graticule, application of an external passe-partout with open area of max. 82 mm x 66 mm is recommended. The internal graticule is aligned with the faceplate by using the faceplate reference points (see Fig. 4).
2. The mean x-plate potential and the mean y-plate potential should be equal to  $V_{g2,g4,g5(\ell)}$ .
3. The tube features internal magnetic correction for astigmatism, orthogonality and eccentricity calibration. Optimum spot is obtained if  $V_{g2,g4,g5(\ell)}$  is equal to mean y-potential.
4. An actual focus range of approx. 50 V should be provided on the front panel.  $V_{g3}$  decreases with increasing grid drive (see also Fig. 5).
5. Intensity control on the front panel should be limited to the maximum useful screen current (approx. 80  $\mu\text{A}$ ; see also Fig. 5). It is to be adjusted either by the grid drive (up to 30 V) or for maximum acceptable line width. The corresponding cathode current or  $I_{g2,g4,g5}$  (up to 500  $\mu\text{A}$ ) depend on the cut-off voltage and cannot be used for control settings.
6. The sensitivity at a deflection of less than 75% of the useful scan will not differ from the sensitivity at a deflection of 25% of the useful scan by more than the indicated value.
7. A graticule consisting of concentric rectangles of 80 mm x 64 mm and 78,3 mm x 62,3 mm is aligned with the internal graticule. With optimum trace rotation correction the edges of a raster will fall between these rectangles.
8. The tube has a trace rotation coil, fixed onto the lower cone part. The coil has 1000 turns and a typical resistance of  $180 \pm 25 \Omega$  at 20 °C, which increases by 0,4%/K for rising temperature. Approx. 6 mA causes 1° trace rotation. Thus maximum required voltage is approx. 12 V for tube tolerances ( $\pm 5^\circ$ ) and earth magnetic field with reasonable shielding ( $\pm 2^\circ$ ).
9. Measured with the shrinking raster method within the useful scan under typical operating conditions, adjusted for optimum focus and dynamic correction applied.

As the construction of the tube does not permit a direct measurement of the beam current, this current should be determined as follows:

- a) Under typical operating conditions, apply a small raster display (no overscan), adjust  $V_{g1}$  for a beam current of approx. 10  $\mu\text{A}$  and adjust  $V_{g3}$  for smallest spot size at the centre of the screen. When measuring the beam current, grid 6 should be connected to g2-potential and the diodes should be disconnected from the x-plates.
- b) Under these conditions, but without raster, the deflection plate voltages should be changed to:  $V_{y1} = V_{y2} = 2000 \text{ V}$ ;  $V_{x1} = 1300 \text{ V}$ ;  $V_{x2} = 1700 \text{ V}$ , thus directing the total beam current to  $x_2$ . Measure the current on  $x_2$  and adjust  $V_{g1}$  for  $I_{x2} = 10 \mu\text{A}$ .
- c) Set again for the conditions under a), without touching the  $V_{g1}$  control. The screen current of the resulting raster display is now 10  $\mu\text{A}$ . Adjust  $V_{g3}$  for optimum focus in the centre of the screen and apply dynamic correction to grid 6 for optimum vertical line width.

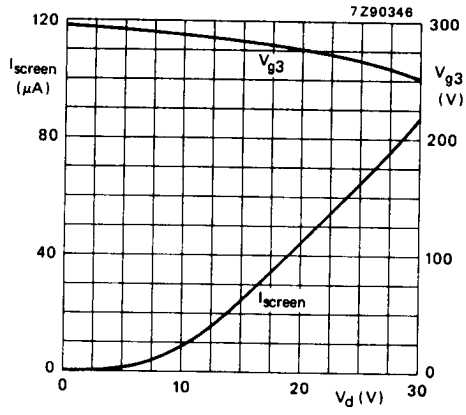


Fig. 5 Screen current ( $I_{screen}$ ) and focusing voltage ( $V_{g3}$ ) as a function of grid drive voltage ( $V_d$ ); typical curves.

## INSTRUMENT CATHODE-RAY TUBE

- 12 cm diagonal rectangular flat face
- domed mesh post-deflection acceleration
- internal magnetic lens system for correction of orthogonality, astigmatism and eccentricity
- low heater power consumption
- internal graticule
- high sensitivity and high brightness
- short overall length
- for compact oscilloscopes with up to 100 MHz bandwidth

### QUICK REFERENCE DATA

Final accelerator voltage	$V_{g7(\varrho)}$	10	16,5 kV
First accelerator voltage	$V_{g4}$	1,5	2,2 kV
Minimum useful scan area		80 mm x 64 mm	
Deflection coefficient			
horizontal	$M_x$	5,8	8,3 V/div
vertical	$M_y$	3,0	4,3 V/div

### OPTICAL DATA

Screen	metal-backed phosphor
type	GH
colour	green
persistence	medium short
Useful screen area	$\geq 82$ mm x 66 mm; note 1
Useful scan area	$\geq 80$ mm x 64 mm
Internal graticule	type 119; see Fig. 4

### HEATING

Indirect by AC or DC*		
Heater voltage	$V_f$	6,3 V
Heater current	$I_f$	0,1 A
Heating time to attain 10% of the cathode current at equilibrium conditions		approx. 7 s

\* Not to be connected in series with other tubes.

**MECHANICAL DATA****Dimensions and connections** (see also outline drawings)

Overall length (socket included)  $\leq 299$  mm  
 Faceplate dimensions  $98 \pm 0,5$  mm x  $82 \pm 0,5$  mm

**Net mass** approx. 750 g

**Base** 12 pin, all glass, JEDEC B12-246

**Mounting**

The tube can be mounted in any position. It must not be supported by the socket and not by the base region alone. The reference points on adjoining edges of the faceplate (see Fig. 4) enable the tube to be mounted accurately in the front panel, thus providing optimum alignment of the internal graticule.

**Accessories**

Pin protector (required for shipping) supplied with tube  
 Socket with solder tags type 55594  
 Socket with printed-wiring pins type 55595  
 Final accelerator contact connector type 55569/55597  
 Mu-metal shield to be established

**FOCUSING**

electrostatic

**DEFLECTION**

x-plates

double electrostatic

y-plates

symmetrical

symmetrical

**CAPACITANCES**

$x_1$ to all other elements except $x_2$	$C_{x1(x2)}$	4,8 pF
$x_2$ to all other elements except $x_1$	$C_{x2(x1)}$	3,6 pF
$y_1$ to all other elements except $y_2$	$C_{y1(y2)}$	3,0 pF
$y_2$ to all other elements except $y_1$	$C_{y2(y1)}$	3,0 pF
$x_1$ to $x_2$	$C_{x1x2}$	3,3 pF
$y_1$ to $y_2$	$C_{y1y2}$	1,4 pF
Control grid to all other elements	$C_{g1}$	6,5 pF
Cathode to all other elements	$C_k$	3,2 pF
Focusing electrode to all other elements	$C_{g3}$	8,0 pF
Final accelerator electrode to all other elements	$C_{g7}$	140 pF

DIMENSIONS AND CONNECTIONS

Dimensions in mm

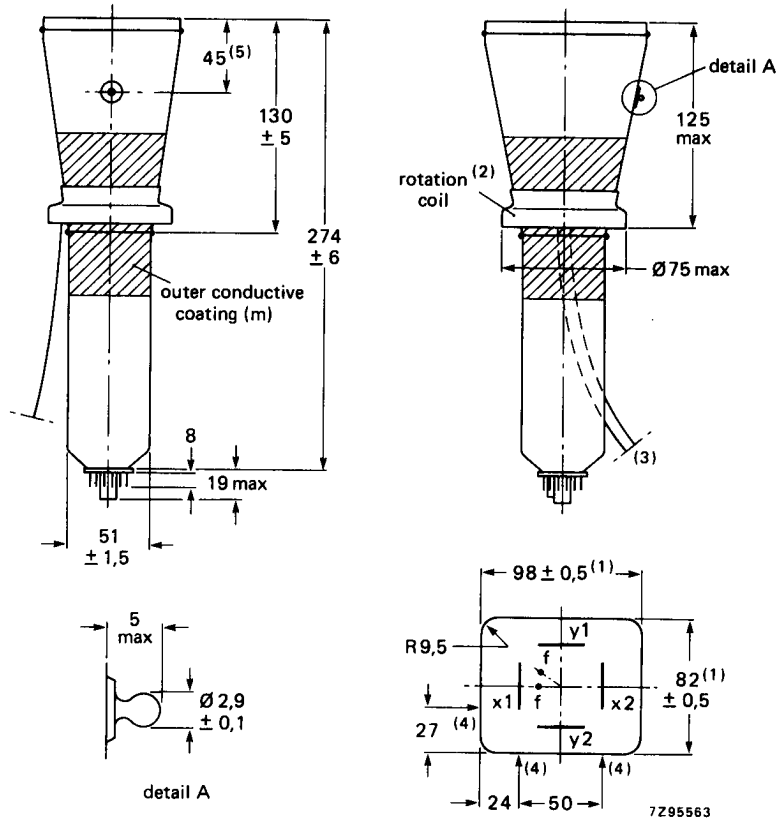


Fig. 1.

1. Dimensions of faceplate only. The complete assembly of faceplate and cone (frit seal included) will pass through an opening of 101 mm x 85 mm (diagonal 125 mm).
2. The coil is fixed to the envelope with resin and adhesive tape.
3. The length of the connecting leads of the rotation coil is min. 350 mm.
4. Reference points on faceplate for graticule alignment (see Fig. 4).
5. The centre of the final accelerator contact is situated within a square of 10 mm x 10 mm around the indicated position.



DIMENSIONS AND CONNECTIONS (continued)

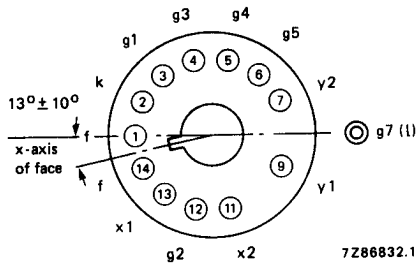


Fig. 2 Pin arrangement; bottom view.

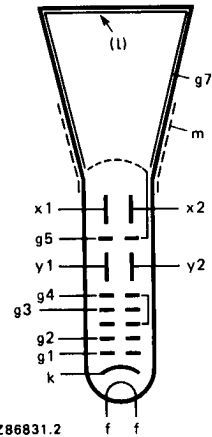


Fig. 3 Electrode configuration.

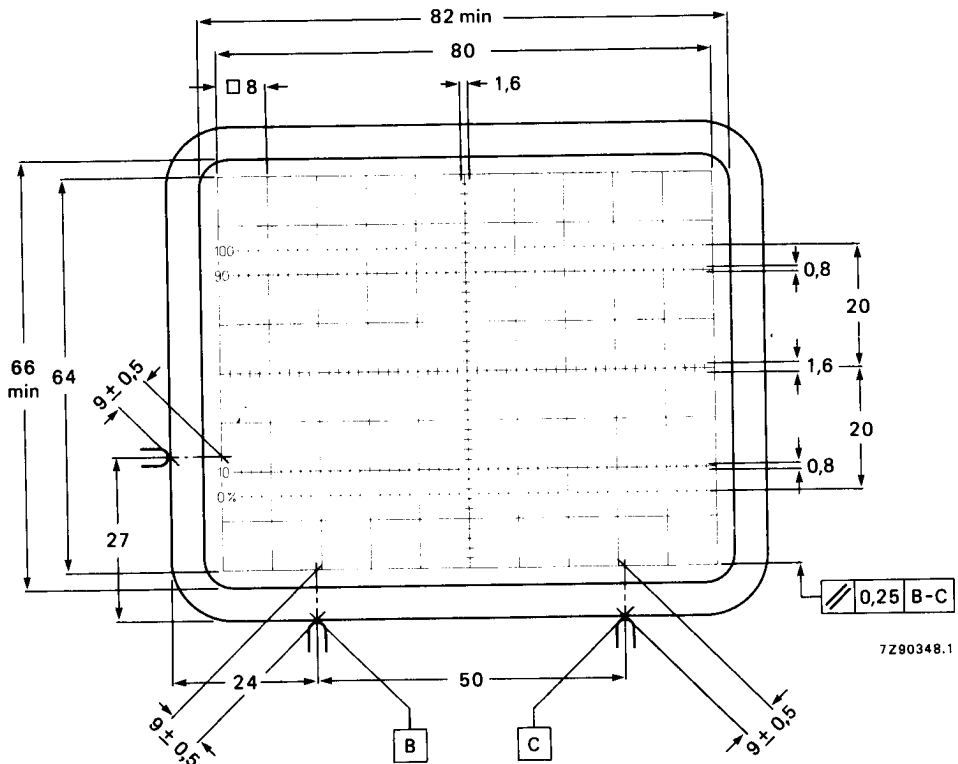


Fig. 4 Front view of tube with internal graticule, type 119 (final accelerator contact at right-hand side). The faceplate reference points are used for aligning the graticule with the faceplate. Line thickness = 0,2 mm; dot diameter = 0,4 mm; colour: red.

**TYPICAL OPERATION** (voltages with respect to cathode) \***Conditions**

Final accelerator voltage	$V_{g7(\lambda)}$	10	16,5 kV	
Mean deflection plate potential		1,5	2,2 kV	note 2
Shield voltage for optimum geometry	$V_{g5}$	1,5	2,2 kV	note 3
First accelerator and astigmatism control voltage	$V_{g4}$	1,5	2,2 kV	note 3
Focusing voltage	$V_{g3}$	0,19 x $V_{g4}$ to 0,26 x $V_{g4}$		
Grid 2 voltage	$V_{g2}$	1,5	2,2 kV	
Cut-off voltage for visual extinction of focused spot	$-V_{g1}$	34 to 68	50 to 100 V	

Outer conductive coating (m) and mu-metal shield to be earthed.

**Performance**

Horizontal deflection coefficient	$M_x$	5,8	8,3 V/div $\pm$ 10%	
Vertical deflection coefficient	$M_y$	3,0	4,3 V/div $\pm$ 5%	
Deviation of deflection linearity		$\leq$ 2%		note 4
Geometry distortion				note 5
Eccentricity of undeflected spot				
in horizontal direction		$\leq$ 4 mm		
in vertical direction		$\leq$ 2 mm		
Angle between x- and y-traces		90°		note 2
Angle between x-trace and x-axis of internal graticule		$\leq$ 5°		note 6
Luminance reduction with respect to screen centre				
x-axis, outer graticule line		$\leq$ 30%		
y-axis, outer graticule line		$\leq$ 30%		
any corner		$\leq$ 50%		
Grid drive for 10 $\mu$ A screen current	$V_d$	approx.	20 V	
Line width	l.w.	approx.	0,25 mm	note 7

\* Notes are on last page but one.

**LIMITING VALUES** (Absolute maximum rating system)

Final accelerator voltage	$V_{g7(\ell)}$	max.	18 kV	note 8
Shield voltage	$V_{g5}$	max.	3,3 kV	
First accelerator and astigmatism control voltage	$V_{g4}$	max.	3,3 kV	
Focusing electrode voltage	$V_{g3}$	max.	2,5 kV	
Grid 2 voltage	$V_{g2}$	max.	2,5 kV	
Control grid voltage	$-V_{g1}$	max. min.	200 V 0 V	
Cathode to heater voltage				
positive	$V_{kf}$	max.	125 V	
negative	$-V_{kf}$	max.	125 V	
Heater voltage	$V_f$	max. min.	6,6 V 6,0 V	
Voltage between g2 and g4	$\Delta V_{g2,g4}$	max.	2 kV	
Voltage between g4,g5 and any deflection plate	$\Delta V_{g4,g5,x,y}$	max.	500 V	
Grid drive, averaged over 1 ms	$V_d$	max.	25 V	
Screen dissipation	$W_\ell$	max.	8 mW/cm <sup>2</sup>	
Control grid circuit resistance	$R_{g1}$	max.	1 M $\Omega$	

Note see next page.

## NOTES

1. As the frit seal is visible through the faceplate, and not necessarily aligned with the internal graticule, application of an external passe-partout with open area of max. 82 mm x 66 mm is recommended. The internal graticule is aligned with the faceplate by using the faceplate reference points (see Fig. 4).
2. The deflection plates must be operated symmetrically; floating mean x- or y-potentials will result into non-uniform line width and geometry distortion. The mean x- and y-potentials should be equal; under this condition the tube will be within the specification without corrections for astigmatism and geometry. A range of  $\Delta V_{g5} = -50$  to  $+50$  V may be applied for pincushion/barrel correction. The tube features internal magnetic correction for orthogonality between x- and y-traces, spot shaping (astigmatism) and eccentricity calibration.
3. For some applications a mean x-potential up to 50 V positive with respect to mean y-potential is inevitable. In this case  $V_{g5}$  must be made equal to mean x-potential, and a range of 0 to  $-25$  V with respect to mean y-potential will be required on  $g4$  for astigmatism correction. The circuit resistance for  $V_{g4}$  should be  $\leq 10$  k $\Omega$ .
4. The sensitivity at a deflection of less than 75% of the useful scan will not differ from the sensitivity at a deflection of 25% of the useful scan by more than the indicated value.
5. A graticule consisting of concentric rectangles of 80 mm x 64 mm and 78,4 mm x 62,4 mm is aligned with the internal graticule. With optimum trace rotation correction the edges of a raster will fall between these rectangles.
6. The tube has a trace rotation coil, fixed onto the lower cone part. The coil has 1000 turns and a typical resistance of  $185 \pm 25 \Omega$  at 20 °C, which increases by approx. 0,4%/K for rising temperature. At typical operation ( $V_{g5} = 2200$  V,  $V_{g7} = 16,5$  kV) approx. 6,5 mA causes 1° trace rotation. Thus maximum required voltage is approx. 13 V for tube tolerances ( $\pm 5^\circ$ ) and earth magnetic field with reasonable shielding ( $\pm 2^\circ$ ).  
The required current for 1° trace rotation is related to approx.  $\sqrt{V_{g5}}$ .
7. Measured with the shrinking raster method in the centre of the screen under typical operating conditions, adjusted for optimum spot size at a beam current  $I_\ell = 10 \mu\text{A}$ .
8. The X-ray dose rate remains below the acceptable value of 36 pA/kg (0,5 mR/h), when the tube is used within its limiting values (beam current  $I_\ell \leq 100 \mu\text{A}$ ).

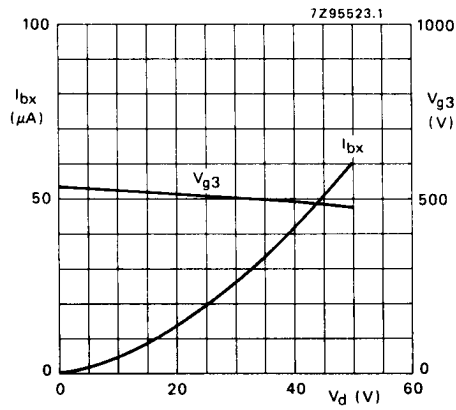


Fig. 5 Beam current ( $I_{bx}$ ) and focusing voltage ( $V_{g3}$ ) as a function of grid drive voltage ( $V_d$ ) at  $V_{g7} = 16,5$  kV,  $V_{g5} = 2,2$  kV; typical curves.

$I_{bx}$  is the beam current, without scan, measured on x2, when the deflection plate potentials have been adjusted to  $V_{y1} = V_{y2} = 2200$  V,  $V_{x1} = 1500$  V,  $V_{x2} = 1900$  V, thus directing the total beam current to x2.

## INSTRUMENT CATHODE-RAY TUBE

- mono accelerator
- 12 cm diagonal rectangular flat face
- internal magnetic correction for astigmatism, vertical eccentricity and orthogonality
- low heater power consumption
- for portable oscilloscopes with up to 25 MHz bandwidth, and read-out devices

### QUICK REFERENCE DATA

Accelerator voltage	$V_{g2,g4,g5(\text{ℓ})}$	2000 V
Minimum useful scan area		80 mm x 64 mm
Deflection coefficient		
horizontal	$M_x$	19 V/div (23,8 V/cm)
vertical	$M_y$	11 V/div (13,8 V/cm)

### OPTICAL DATA

Screen	
type	GY, colour green
persistence	medium
Useful screen area	$\geq 82$ mm x 66 mm; note 1
Useful scan area	$\geq 80$ mm x 64 mm
Internal graticule	type 119; see Fig. 4

### HEATING

Indirect by a.c. or d.c.*		
Heater voltage	$V_f$	6,3 V
Heater current	$I_f$	0,1 A
Heating time to attain 10% of the cathode current at equilibrium conditions		approx. 7 s

Not to be connected in series with other tubes.

**MECHANICAL DATA****Dimensions and connections** (see also outline drawing)

Overall length (socket included)	$\leq 292$ mm
Faceplate dimensions	$98 \pm 0,5$ mm x $82 \pm 0,5$ mm
Net mass	approx. 0,7 kg
Base	12-pin, all glass, JEDEC B12-246

**Mounting**

The tube can be mounted in any position. It must not be supported by the socket and not by the base region alone. The reference points on adjoining edges of the faceplate (see Fig. 4) enable the tube to be mounted accurately in the front panel, thus providing optimum alignment of the internal graticule.

**Accessories**

Pin protector (required for shipping)	supplied with tube
Socket with solder tags	type 55594
Socket with printed-wiring pins	type 55595
Mu-metal shield	to be established

**FOCUSING**

electrostatic

**DEFLECTION**

x-plates

double electrostatic

symmetrical

y-plates

symmetrical

If use is made of the full deflection capabilities of the tube the deflection plates will block part of the electron beam, hence a low impedance deflection plate drive is desirable.

**CAPACITANCES**

$x_1$  to all other elements except  $x_2$

$C_{x1(x2)}$  4,5 pF

$x_2$  to all other elements except  $x_1$

$C_{x2(x1)}$  4 pF

$y_1$  to all other elements except  $y_2$

$C_{y1(y2)}$  3,4 pF

$y_2$  to all other elements except  $y_1$

$C_{y2(y1)}$  3,4 pF

$x_1$  to  $x_2$

$C_{x1x2}$  3,2 pF

$y_1$  to  $y_2$

$C_{y1y2}$  1 pF

Control grid to all other elements

$C_{g1}$  6 pF

Cathode to all other elements

$C_k$  3 pF



DIMENSIONS AND CONNECTIONS

Dimensions in mm

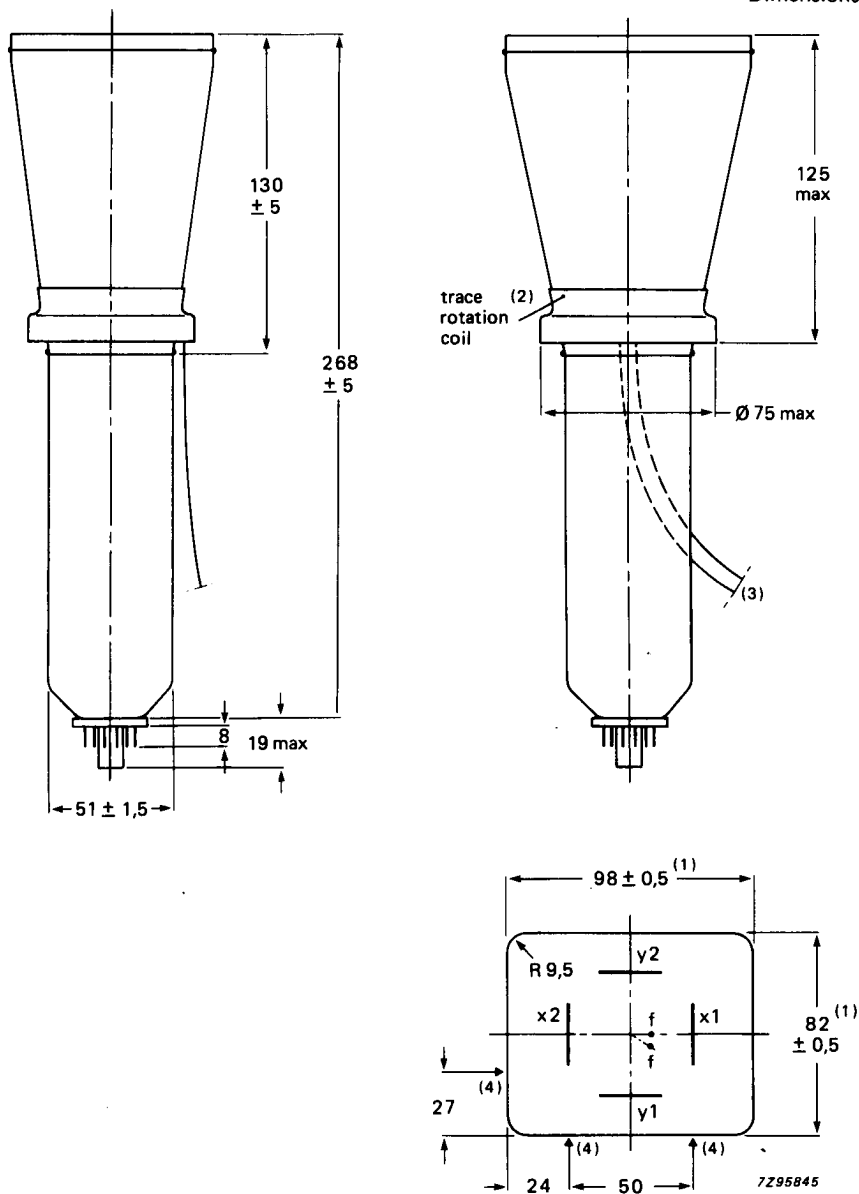


Fig. 1 Outlines.

- (1) Dimensions of faceplate only. The complete assembly of faceplate and cone (frit seal included) will pass through an opening of 101 mm x 85 mm.
- (2) The coil is fixed to the envelope with resin and adhesive tape.
- (3) The length of the connecting leads of the rotation coil is min. 350 mm.
- (4) Reference points on faceplate for graticule alignment (see Fig. 4).

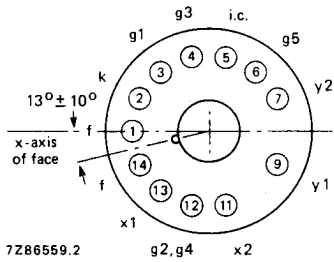


Fig. 2 Pin arrangement; bottom view.

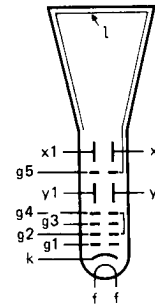


Fig. 3 Electrode configuration.

**Internal graticule**

The internal graticule is aligned with the faceplate by using the faceplate reference points, see Fig. 4. See also note 1.

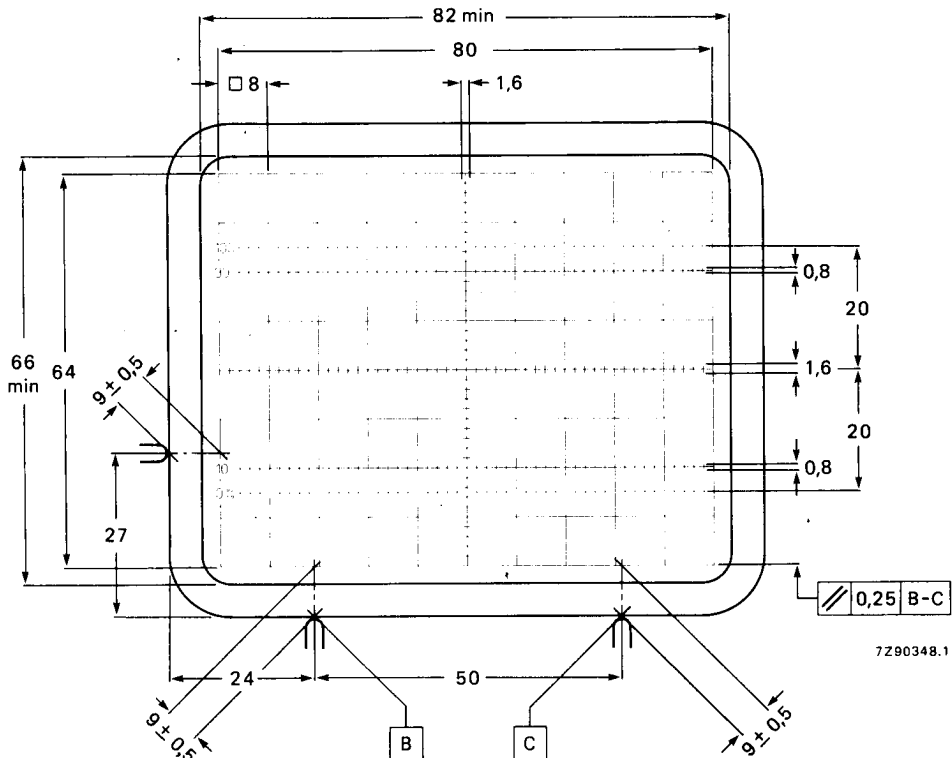


Fig. 4 Front view of tube with internal graticule, type 119.  
 Line thickness = 0,2 mm;  
 dot diameter = 0,4 mm;  
 colour: red.

**TYPICAL OPERATION** (voltages with respect to cathode)**Conditions**

Mean deflection plate potential		2000 V	note 2
Shield voltage for optimum geometry	$V_{g5} (\ell)$	2000 V	note 3
Accelerator and astigmatism control voltage	$V_{g2,g4}$	2000 V	note 4
Focusing voltage	$V_{g3}$	100 to 200 V	note 5
Cut-off voltage for visual extinction of focused spot	$-V_{g1}$	22 to 65 V	note 6

**Performance**

Deflection coefficient horizontal	$M_x$	<	19 V/div (23,8 V/cm)	
			21 V/div (26,3 V/cm)	
vertical	$M_y$	<	11 V/div (13,8 V/cm)	
			11,5 V/div (14,4 V/cm)	
Deviation of deflection linearity		$\leq$	2 %	note 7
Geometry distortion			see note 8	
Luminance reduction at the edges of the useful scan (100 mm x 80 mm), with respect to screen centre		$\leq$	30 %	
Eccentricity of undeflected spot with respect to internal graticule horizontal		$\leq$	4 mm	note 9
			2 mm	
vertical		$\leq$		
Angle between x and y-traces			90°	note 9
Angle between x-trace and x-axis of the internal graticule		$\leq$	5°	note 10
Grid drive voltage for 10 $\mu$ A screen current	$V_d$	$\approx$	10 V	note 6
Line width	l.w.	$\approx$	0,25 mm	note 11

**LIMITING VALUES** (Absolute maximum rating system)

Accelerator voltage	$V_{g2,g4}$	max.	2200 V
Shield voltage	$V_{g5} (\ell)$	max.	2200 V
Focusing electrode voltage	$V_{g3}$	max.	2200 V
Control grid voltage	$-V_{g1}$	max.	200 V
		min.	0 V
Cathode to heater voltage positive	$V_{kf}$	max.	125 V
		negative	$-V_{kf}$
Heater voltage	$V_f$	max.	6,6 V
		min.	6,0 V
Grid drive voltage, averaged over 1 ms	$V_d$	max.	20 V
Screen dissipation	$W_\ell$	max.	3 mW/cm <sup>2</sup>
Control grid circuit resistance	$R_{g1}$	max.	1 M $\Omega$

## NOTES

1. As the frit seal is visible through the faceplate, and not necessarily aligned with the internal graticule, application of an external passe-partout with open area of max. 82 mm x 66 mm is recommended. The internal graticule is aligned with the faceplate by using the faceplate reference points (see Fig. 4).
2. The deflection plates must be operated symmetrically; asymmetric drive introduces trace distortion. It is recommended that the tube be operated with equal mean x- and y-potentials, in order to minimize tube adjustments. Under this condition  $g_5$  can be connected to  $g_2$ ,  $g_4$ , and made equal to mean y-potential for optimum spot (see also notes 3 and 4).  
A difference between mean x- and y-potentials up to 75 V is permissible, however this may influence the specified deflection coefficients, and a separate voltage on  $g_5$  (equal to mean x-potential) may be required.
3. The tube meets the geometry specification (see note 8) if  $V_{g_5}$  is equal to mean x-potential. A range of  $\pm 50$  V around mean x-potential may be applied for further correction.
4. Optimum spot is obtained with  $V_{g_2}$ ,  $g_4$  equal to mean y-potential (see note 2). In general a tolerance of  $\pm 4$  V has no visible effect;  $V_{g_2}$ ,  $g_4$  tends to be lower with  $V_{g_5}$  more positive. The circuit impedance  $R_{g_2}$ ,  $g_4$  should be less than 10 k $\Omega$ .
5. An actual focus range of 30 V should be provided on the front panel.  $V_{g_3}$  decreases with increasing grid drive (see also Fig. 5).
6. Intensity control on the front panel should be limited to the maximum useful screen current (approx. 50  $\mu$ A; see also Fig. 5). It is to be adjusted either by the grid drive (up to 22 V) or for maximum acceptable line width. The corresponding cathode current or  $I_{g_2}$ ,  $g_4$  (up to 500  $\mu$ A) depend on the cut-off voltage and cannot be used for control settings.
7. The sensitivity at a deflection of less than 75% of the useful scan will not differ from the sensitivity at a deflection of 25% of the useful scan by more than the indicated value.
8. A graticule consisting of concentric rectangles of 80 mm x 64 mm and 78,3 mm x 62,3 mm is aligned with the internal graticule. With optimum trace rotation correction the edges of a raster will fall between these rectangles.
9. The tube features internal magnetic correction for orthogonality between x- and y-traces, spot shaping (astigmatism) and eccentricity calibration.
10. The tube has a trace rotation coil, fixed onto the lower cone part. The coil has 1000 turns and a resistance of  $185 \pm 25 \Omega$  at 20 °C, which increases by approx. 0,4%/K for rising temperature. Approx. 5 mA causes 1° trace rotation. Thus maximum required voltage is approx. 11 V for tube tolerances ( $\pm 5^\circ$ ) and earth magnetic field with reasonable shielding ( $\pm 2^\circ$ ).
11. Measured with the shrinking raster method in the centre of the screen under typical operating conditions, adjusted for optimum spot size at a beam current  $I_b = 10 \mu$ A.

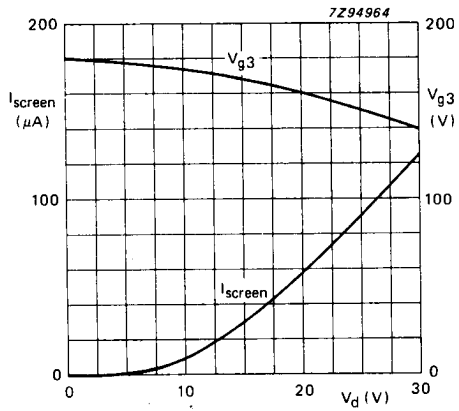


Fig. 5 Screen current ( $I_{\text{screen}}$ ) and focusing voltage ( $V_{g3}$ ) as a function of grid drive voltage ( $V_d$ ); typical curves.

## INSTRUMENT CATHODE-RAY TUBE

13 cm diameter flat faced monoaccelerator oscilloscope tube primarily intended for use in inexpensive oscilloscopes and read-out devices.

QUICK REFERENCE DATA		
Accelerator voltage	$V_{g_2, g_4, g_5(l)}$	2000 V
Display area		100 x 80 mm <sup>2</sup>
Deflection coefficient, horizontal	$M_x$	31.3 V/cm
	vertical	$M_y$

### SCREEN

	colour	persistence
D13-480GH	green	medium short
D13-480GM	yellowish green	long

Useful screen diameter min. 114 mm

Useful scan

horizontal min. 100 mm

vertical min. 80 mm

The useful scan may be shifted vertically to a max. of 6 mm with respect to the geometric centre of the faceplate.

**HEATING:** Indirect by AC or DC; parallel supply

Heater voltage  $V_f$  6.3 V

Heater current  $I_f$  300 mA

MECHANICAL DATA

Dimensions in mm

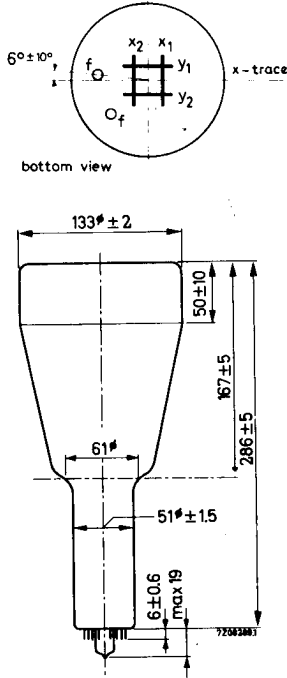


Fig. 1 Outlines.

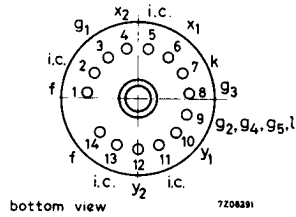


Fig. 2 Pin arrangement.

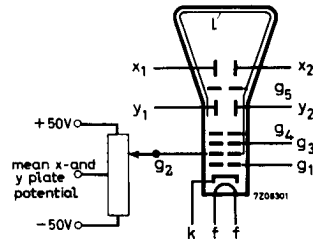


Fig. 3 Electrode configuration.

Mounting position: any

The tube should not be supported by the base alone and under no circumstances should the socket be allowed to support the tube.

Dimensions and connections

See also outline drawing

Overall length max. 310 mm

Face diameter max. 135 mm

Base 14 pin all glass

Net weight approx. 650 g

Accessories

Socket (supplied with tube) type 55566

Mu-metal shield type 55580

**CAPACITANCES**

$x_1$ to all other elements except $x_2$	$C_{x1(x2)}$	4	pF
$x_2$ to all other elements except $x_1$	$C_{x2(x1)}$	4	pF
$y_1$ to all other elements except $y_2$	$C_{y1(y2)}$	3.5	pF
$y_2$ to all other elements except $y_1$	$C_{y2(y1)}$	3	pF
$x_1$ to $x_2$	$C_{x1x2}$	1.6	pF
$y_1$ to $y_2$	$C_{y1y2}$	1.1	pF
Control grid to all other elements	$C_{g1}$	5.5	pF
Cathode to all other elements	$C_k$	4	pF

**FOCUSING**      electrostatic**DEFLECTION**      double electrostatic

x plates      symmetrical

y plates      symmetrical

If use is made of the full deflection capabilities of the tube the deflection plates will intercept part of the electron beam, hence a low impedance deflection plate drive is desirable.

Angle between x and y traces       $90 \pm 1^\circ$

**LINE WIDTH**

Measured with the shrinking raster method in the centre of the screen under typical operating conditions, adjusted for optimum spot size at a beam current  $I_l = 10 \mu\text{A}$ . 1)

Line width      l. w.      0.30      mm

As the construction of this tube does not permit a direct measurement of the beam current, this current should be determined as follows:

a) under typical operating conditions, apply a small raster display (no overscan), adjust  $V_{g1}$  for a beam current of approx.  $10 \mu\text{A}$  and adjust  $V_{g3}$  and  $V_{g2, g4, g5, l}$  for optimum spot quality at the centre of the screen.

b) under these conditions, but no raster, the deflection plate voltages should be changed to

$V_{y1} = V_{y2} = 2000 \text{ V}$ ;  $V_{x1} = 1300 \text{ V}$ ;  $V_{x2} = 1700 \text{ V}$ , thus directing the total beam current to  $x_2$ .

Measure the current on  $x_2$  and adjust  $V_{g1}$  for  $I_{x2} = 10 \mu\text{A}$  (being the beam current  $I_l$ )

c) set again for the conditions under a), without touching the  $V_{g1}$  control. Now a raster display with a true  $10 \mu\text{A}$  screen current is achieved.

d) focus optimally in the centre of the screen (do not adjust the astigmatism control) and measure the line width.



**TYPICAL OPERATING CONDITIONS** see note 3

Accelerator voltage	$V_{g_2, g_4, g_5, \ell}$	2000	V
Astigmatism control voltage	$\Delta V_{g_2, g_4, g_5, \ell}$	$\pm 50$	V see note 1
Focusing electrode voltage	$V_{g_3}$	220 to 370	V
Control grid voltage for visual extinction of focused spot	$V_{g_1}$	max. -65	V
Grid drive for 10 $\mu$ A screen current		approx. 10	V
Deflection coefficient, horizontal	$M_x$	31.3	V/cm
		max. 33	V/cm
vertical	$M_y$	14.4	V/cm
		max. 15.5	V/cm
Deviation of linearity of deflection		max. 1	% see note 2
Geometry distortion		see note 4	
Useful scan, horizontal		min. 100	mm
		min. 80	mm

**LIMITING VALUES** (Absolute max. rating system)

Accelerator voltage	$V_{g_2, g_4, g_5, \ell}$	max. 2200	V
		min. 1500	V
Focusing electrode voltage	$V_{g_3}$	max. 2200	V
Control grid voltage, negative	$-V_{g_1}$	max. 200	V
		min. 0	V
Cathode to heater voltage	$V_{kf}$	max. 125	V
		$-V_{kf}$	max. 125
Grid drive, average		max. 20	V
Screen dissipation	$W_{\ell}$	max. 3	mW/cm <sup>2</sup>
Control grid circuit resistance	$R_{g_1}$	max. 1	M $\Omega$

**Notes**

1. All that will be necessary when putting the tube into operation is to adjust the astigmatism control voltage once for optimum spot shape in the screen centre. The control voltage will always be in the range stated, provided the mean x and certainly the mean y plate potential was made equal to  $V_{g_2, g_4, g_5, \ell}$  with zero astigmatism correction.
2. The sensitivity at a deflection of less than 75% of the useful scan will not differ from the sensitivity at a deflection of 25% of the useful scan by more than the indicated value.
3. The mean x and certainly the mean y plate potential should be equal to  $V_{g_2, g_4, g_5, \ell}$  with astigmatism adjustment set to zero.
4. A graticule, consisting of concentric rectangles of 70 mm x 85 mm and 68.8 mm x 83 mm as aligned with the electrical x-axis of the tube. The edges of a raster will fall between these rectangles.



## INSTRUMENT CATHODE-RAY TUBE

13 cm diameter flat-faced monoaccelerator oscilloscope tube with low heater consumption.

### QUICK REFERENCE DATA

Accelerator voltage	$V_{g2, g4, g5 (\text{el})}$	2000 V
Display area		100 x 80 mm <sup>2</sup>
Deflection coefficient		
horizontal	$M_x$	31,3 V/cm
vertical	$M_y$	14,4 V/cm

The D13-481.. is equivalent to the type D13-480.. except for the following.

### HEATING

Indirect by AC or DC; parallel

Heater voltage	$V_f$	6,3 V
Heater current	$I_f$	95 mA

### LIMITING VALUES (Absolute maximum rating system)

Cathode to heater voltage		
positive	$V + k/f - \text{max.}$	100 V
negative	$V - k/f + \text{max.}$	15 V

### CAPACITANCES

Cathode to all other elements	$C_k$	2,3 pF
-------------------------------	-------	--------



## INSTRUMENT CATHODE-RAY TUBE

14 cm diagonal, rectangular flat faced oscilloscope tube with mesh and metal backed screen.

QUICK REFERENCE DATA			
Final accelerator voltage	$V_{g7(\ell)}$	10	kV
Display area		100 x 80	mm <sup>2</sup>
Deflection coefficient, horizontal	$M_x$	15,5	V/cm
vertical	$M_y$	4,2	V/cm

**SCREEN:** Metal backed phosphor

	Colour	Persistence
D14-120GH	green	medium short

Useful screen area	> 100 x 80	mm <sup>2</sup>
Useful scan at $V_{g7(\ell)}/V_{g2, g4} = 6,7$	, horizontal	> 100 mm
	vertical	> 80 mm
Spot eccentricity in horizontal and vertical directions	< 6	mm

**HEATING :** Indirect by AC or DC: parallel supply

Heater voltage	$V_f$	6,3	V
Heater current	$I_f$	300	mA

### MECHANICAL DATA

#### Dimensions and connections

See also outline drawing

Overall length (socket included)	< 385	mm
Face dimensions	< 100 x 120	mm
<u>Net mass</u>	approx. 900	g

Base      14-pin all-glass

Dimensions in mm

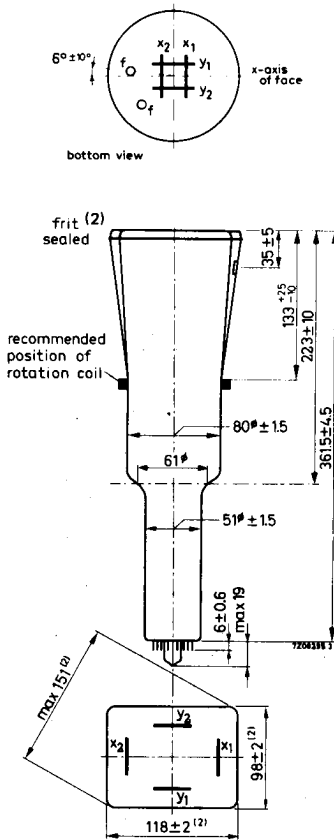


Fig. 1 Outlines.

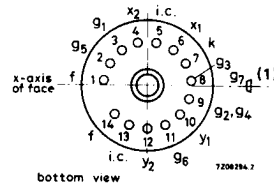


Fig. 2 Pin arrangement.

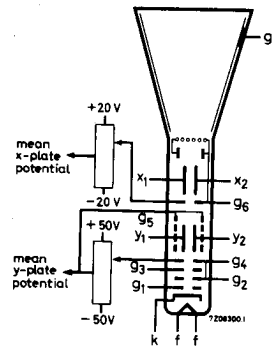


Fig. 3 Electrode configuration.

- (1) The centre of the contact is located within a square of 10 mm x 10 mm around the true geometrical position.
- (2) The bulge at the frit seal may increase the indicated maximum dimensions by not more than 2 mm.

**Mounting position any**

The tube should not be supported by the base alone; under no circumstances should the socket be allowed to support the tube.

**Accessories**

- Socket (supplied with tube) type 55566
- Final accelerator contact connector type 55563A
- Mu-metal shield type 55581

<b>FOCUSING</b>	electrostatic
<b>DEFLECTION</b>	double electrostatic
x plates	symmetrical
y plates	symmetrical

If use is made of the full deflection capabilities of the tube the deflection plates will intercept part of the electron beam; hence a low impedance deflection plate drive is desirable.

Angle between x and y traces  $90^\circ \pm 1^\circ$

Angle between x trace and the horizontal axis of the face  $< 5^\circ$  see note 6

#### LINE WIDTH

Measured with the shrinking raster method under typical operating conditions, adjusted for optimum spot size at a beam current  $I_b = 10 \mu\text{A}$ .

Line width at the centre of the screen	l. w.	0,40	mm
over the whole screen area	l. w. av. <	0,45	mm

#### CAPACITANCES

$x_1$ to all other elements except $x_2$	$C_{x1(x2)}$	6,5	pF
$x_2$ to all other elements except $x_1$	$C_{x2(x1)}$	6,5	pF
$y_1$ to all other elements except $y_2$	$C_{y1(y2)}$	5,0	pF
$y_2$ to all other elements except $y_1$	$C_{y2(y1)}$	5,0	pF
$x_1$ to $x_2$	$C_{x1x2}$	2,2	pF
$y_1$ to $y_2$	$C_{y1y2}$	1,7	pF
Control grid to all other elements	$C_{g1}$	5,5	pF
Cathode to all other elements	$C_k$	4,5	pF

## TYPICAL OPERATING CONDITIONS

Final accelerator voltage	$V_{g7(\ell)}$	10	kV
Interplate shield voltage	$V_{g6}$	1500	V
Geometry control voltage	$\Delta V_{g6}$	$\pm 15$	V see note 1
Deflection plate shield voltage	$V_{g5}$	1500	V see note 2
Focusing electrode voltage	$V_{g3}$	250 to 350	V
First accelerator voltage	$V_{g2, g4}$	1500	V
Astigmatism control voltage	$\Delta V_{g2, g4}$	$\pm 50$	V see note 3
Control voltage for visual extinction of focused spot	$V_{g1}$	-20 to -60	V
Grid drive for 10 $\mu$ A screen current		approx. 12	V
Deflection coefficient, horizontal	$M_x$	15,5	V/cm
		< 16	V/cm
vertical	$M_y$	4,2	V/cm
		< 4,6	V/cm
Deviation of linearity of deflection		< 2	% see note 4
Geometry distortion		See note 5	
Useful scan, horizontal		> 100	mm
		> 80	mm

## LIMITING VALUES (Absolute max. rating system)

Final accelerator voltage	$V_{g7(\ell)}$	max.	11	kV
		min.	9	kV
Interplate shield voltage and geometry control electrode voltage	$V_{g6}$	max.	2200	V
Deflection plate shield voltage	$V_{g5}$	max.	2200	V
Focusing electrode voltage	$V_{g3}$	max.	2200	V
First accelerator and astigmatism control electrode voltage	$V_{g2, g4}$	max.	2200	V
		min.	1350	V
Control grid voltage	$-V_{g1}$	max.	200	V
		min.	0	V
Cathode to heater voltage	$V_{kf}$	max.	125	V
		$-V_{kf}$	max.	125
Voltage between astigmatism control electrode and any deflection plate	$V_{g4/x}$	max.	500	V
		$V_{g4/y}$	max.	500
Grid drive, average		max.	20	V
Screen dissipation	$W_\ell$	max.	8	mW/cm <sup>2</sup>
Ratio $V_{g7(\ell)}/V_{g2, g4}$	$V_{g7(\ell)}/V_{g4}$	max.	6,7	
Control grid circuit resistance	$R_{g1}$	max.	1	M $\Omega$

## Notes

1. This tube is designed for optimum performance when operating at a ratio  $V_{g7(\xi)}/V_{g2, g4} = 6,7$ . The geometry electrode voltage should be adjusted within the indicated range (values with respect to the mean x-plate potential). A negative control voltage will cause some pincushion distortion and less background light, a positive control voltage will give some barrel distortion and a slight increase of background light.
2. The deflection plate shield voltage should be equal to the mean y-plate potential. The mean x-plate and y-plate potentials should be equal for optimum spot quality.
3. The astigmatism control electrode voltage should be adjusted for optimum spot shape. For any necessary adjustment its potential will be within the stated range.
4. The sensitivity at a deflection of less than 75% of the useful scan will not differ from the sensitivity at a deflection of 25% of the useful scan by more than the indicated value.
5. A graticule, consisting of concentric rectangles of 95 mm x 75 mm and 93 mm x 73,6 mm is aligned with the electrical x-axis of the tube. With optimum correction potentials applied a raster will fall between these rectangles.
6. To align the x trace with the horizontal axis of the screen, the whole picture can be rotated by means of a rotation coil. This coil will have 50 ampere turns for the indicated maximum rotation of  $5^\circ$  and should be positioned as indicated in the drawing.



## INSTRUMENT CATHODE-RAY TUBE

14 cm diagonal, rectangular flat-faced oscilloscope tube with mesh and metal backed screen. The tube has side connections to the x- and y-plates, and is intended for use in transistorized oscilloscopes up to a frequency of 50 MHz.

QUICK REFERENCE DATA			
Final accelerator voltage	$V_{g8(\ell)}$	10	kV
Display area		100 x 80	mm <sup>2</sup>
Deflection coefficient, horizontal	$M_x$	15,5	V/cm
vertical	$M_y$	4,2	V/cm

**SCREEN** : Metal backed phosphor

	Colour	Persistence
D14-121GH	green	medium short

Useful screen area	>	100 x 80	mm <sup>2</sup>
Useful scan at $V_{g8(\ell)}/V_{g2, g4} = 6, 7$ , horizontal	>	100	mm
vertical	>	80	mm
Spot eccentricity in horizontal and vertical directions	<	6	mm

### HEATING

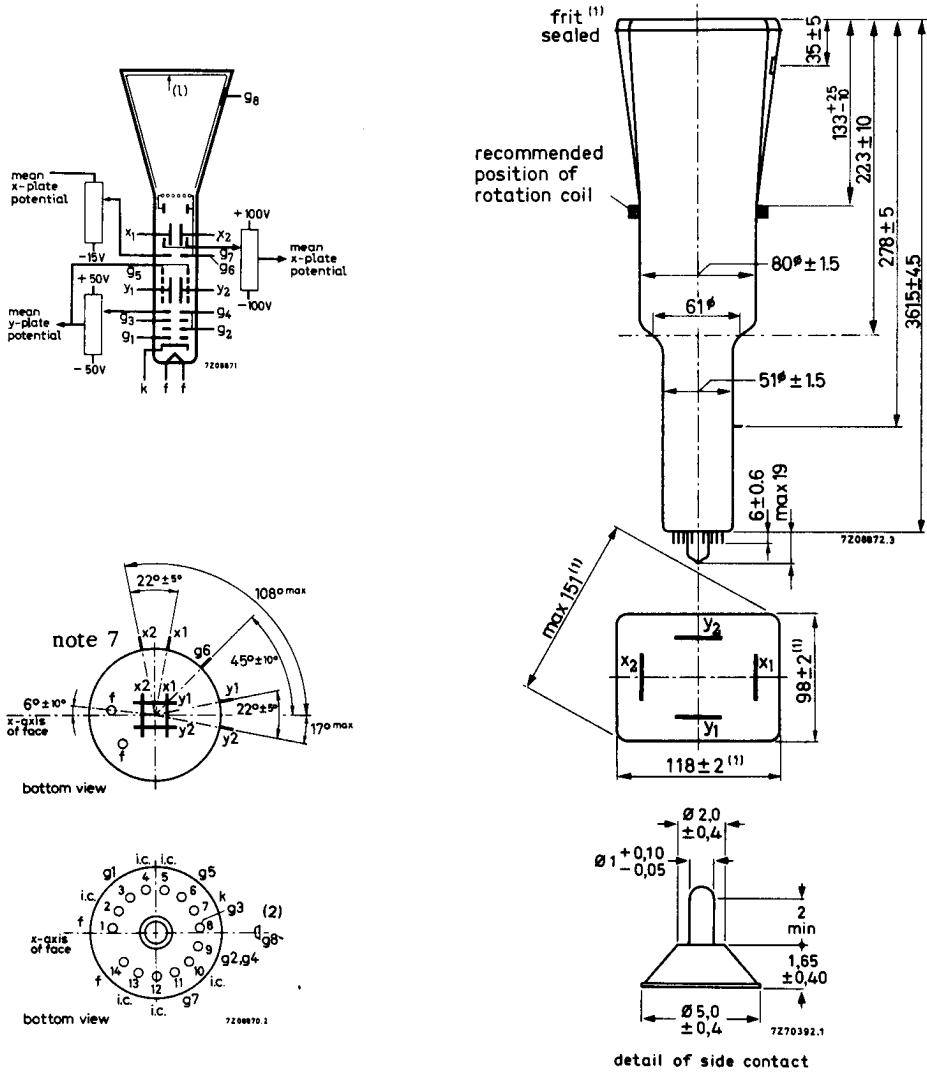
Indirect by AC or DC; parallel supply

Heater voltage	$V_f$	6,3	V
Heater current	$I_f$	300	mA



MECHANICAL DATA

Dimensions in mm



- (1) The bulge at the frit seal may increase the indicated maximum dimensions by not more than 2 mm.
- (2) The centre of the contact is located within a square of 10 mm x 10 mm around the true geometrical position.

Fig. 1 Outlines.

Mounting position

The tube should not be supported by the base alone and under no circumstances should the socket be allowed to support the tube.

Dimensions and connections

See also outline drawing

Overall length (socket included) &lt; 385 mm

Face dimensions &lt; 100 x 120 mm

Net mass approx. 900 gBase 14-pin all glassAccessories

Socket (supplied with tube) type 55566

Final accelerator contact connector type 55563A

Mu-metal shield type 55581A

**CAPACITANCES** $x_1$  to all other elements except  $x_2$   $C_{x1(x2)}$  5,5 pF $x_2$  to all other elements except  $x_1$   $C_{x2(x1)}$  5,5 pF $y_1$  to all other elements except  $y_2$   $C_{y1(y2)}$  4 pF $y_2$  to all other elements except  $y_1$   $C_{y2(y1)}$  4 pF $x_1$  to  $x_2$   $C_{x1x2}$  2,2 pF $y_1$  to  $y_2$   $C_{y1y2}$  1,7 pFControl grid to all other elements  $C_{g1}$  5,5 pFCathode to all other elements  $C_k$  4,5 pF**FOCUSING** electrostatic**DEFLECTION** double electrostatic

x plates symmetrical

y plates symmetrical

If use is made of the full deflection capabilities of the tube the deflection plates will intercept part of the electron beam; hence a low impedance deflection plate drive is desirable.

Angle between x and y traces  $90 \pm 1^\circ$ Angle between x trace and the horizontal axis of the face <  $5^\circ$  see note 1**LINE WIDTH**

Measured with the shrinking raster method under typical operating conditions, adjusted for optimum spot size at a beam current  $I_b = 10 \mu\text{A}$ .

Line width at screen centre l. w. 0,40 mm  
 over the whole screen area l. w. av. < 0,45 mm

**TYPICAL OPERATING CONDITIONS**

Final accelerator voltage	$V_{g8(\ell)}$	10	kV
Geometry-control electrode voltage	$V_{g7}$	$1500 \pm 100$	V see note 2
Post deflection and interplate shield voltage	$V_{g6}$	1500	V
Background illumination control voltage	$\Delta V_{g6}$	0 to -15	V see note 2
Deflection plate shield voltage	$V_{g5}$	1500	V see note 3
Focusing electrode voltage	$V_{g3}$	250 to 350	V
First accelerator voltage	$V_{g2, g4}$	1500	V
Astigmatism control voltage	$\Delta V_{g2, g4}$	$\pm 50$	V see note 4
Control grid voltage for extinction of focused spot	$V_{g1}$	-20 to -60	V
Grid drive for 10 $\mu$ A screen current		approx. 12	V
Deflection coefficient, horizontal	$M_x$	av.	15, 5 V/cm
		<	16 V/cm
vertical	$M_y$	av.	4, 2 V/cm
		<	4, 6 V/cm
Deviation of linearity of deflection		<	2 % see note 5
Geometry distortion		See note 6	
Useful scan, horizontal		>	100 mm
	vertical	>	80 mm

**LIMITING VALUES** (Absolute max. rating system)

Final accelerator voltage	$V_{g8(\ell)}$	max.	11 kV
		min.	9 kV
Post deflection and interplate shield voltage and geometry control electrode voltage	$V_{g7}, V_{g6}$	max.	2200 V
Deflection plate shield voltage	$V_{g5}$	max.	2200 V
Focusing electrode voltage	$V_{g3}$	max.	2200 V
First accelerator and astigmatism control electrode voltage	$V_{g2, g4}$	max.	2200 V
		min.	1350 V
Control grid voltage	$-V_{g1}$	max.	200 V
		min.	0 V
Cathode to heater voltage	$V_{kf}$	max.	125 V
		$-V_{kf}$	max.
Voltage between astigmatism control electrode and any deflection plate	$V_{g4/x}$	max.	500 V
		$V_{g4/y}$	max.
Grid drive, average		max.	20 V
Screen dissipation	$W_\ell$	max.	8 mW/cm <sup>2</sup>
Ratio $V_{g8(\ell)}/V_{g2, g4}$	$V_{g8(\ell)}/V_{g2, g4}$	max.	6, 7
Control grid circuit resistance	$R_{g1}$	max.	1 M $\Omega$

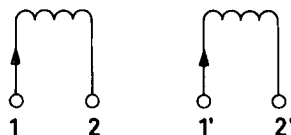
## NOTES

1. In order to align the x-trace with the horizontal axis of the screen, the whole picture can be rotated by means of a rotation coil. This coil will have 50 amp. turns for the indicated max. rotation of  $5^\circ$  and should be positioned as indicated on the drawing.
2. This tube is designed for optimum performance when operating at a ratio  $V_{g8(l)} / V_{g2, g4} = 6,7$   
The geometry control voltage  $V_{g7}$  should be adjusted within the indicated range (values with respect to the mean x-plate potential).  
A negative control voltage on  $g_6$  (with respect to the mean x-plate potential) will cause some pincushion distortion and less background light.  
By the use of the two voltages,  $V_{g6}$  and  $V_{g7}$ , it is possible to find the best compromise between background light and raster distortion.
3. The deflection plate shield voltage should be equal to the mean y-plate potential. The mean x- and y-plate potentials should be equal for optimum spot quality.
4. The astigmatism control electrode voltage should be adjusted for optimum spot shape. For any necessary adjustment its potential will be within the stated range.
5. The sensitivity at a deflection of less than 75% of the useful scan will not differ from the sensitivity at a deflection of 25% of the useful scan by more than the indicated value.
6. A graticule, consisting of concentric rectangles of 95 mm x 75 mm and 93 mm x 73,6 mm is aligned with the electrical x axis of the tube. With optimum correction potentials applied a raster will fall between these rectangles.
7. To avoid damage to the side contacts the narrower end of the Mu-metal shield should have an internal diameter of not less than 64 mm.

## INSTRUMENT CATHODE-RAY TUBE

This type is equivalent with type D14-120GH but provided with a rotation coil as indicated in note 1 of D14-120GH.

### COIL



Number of turns

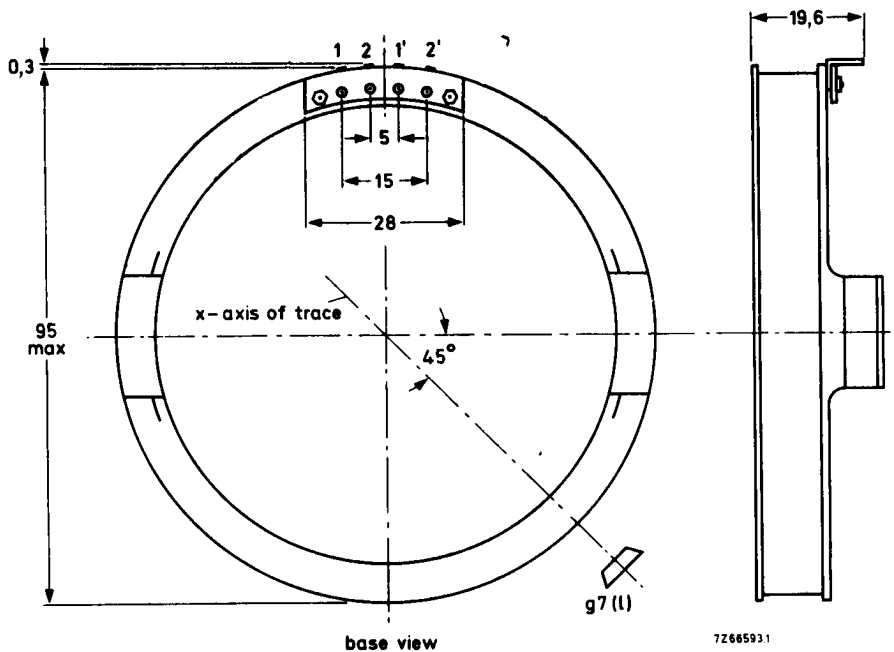
1 - 2  
1' - 2'

850 turns  
850 turns

Resistance of coils

1 - 2  
1' - 2'

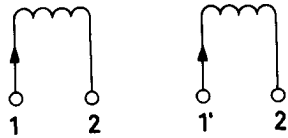
360  $\Omega$  + 10%  
375  $\Omega$  10%



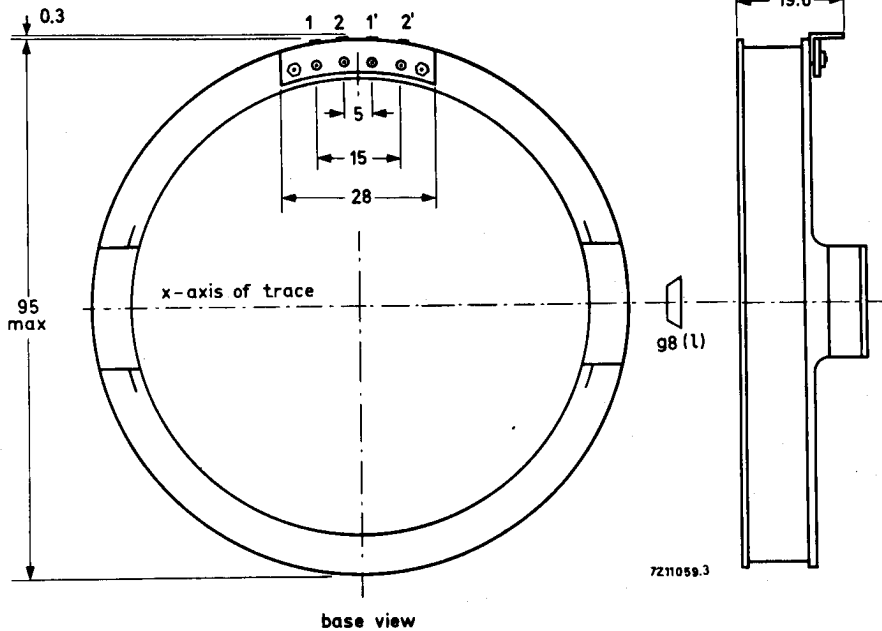
### INSTRUMENT CATHODE-RAY TUBE

This type is equivalent with type D14-121GH but provided with a rotation coil as indicated in note 1 of D14-121GH.

#### COIL



Number of turns	1 - 2	850 turns
	1' - 2'	850 turns
Resistance of coils	1 - 2	360 $\Omega$ ( $\pm 10\%$ )
	1' - 2'	375 $\Omega$ ( $\pm 10\%$ )



## INSTRUMENT CATHODE-RAY TUBE

14 cm diagonal, rectangular flat faced oscilloscope tube with mesh and metal-backed screen. The tube has side connections to the x and y-plates and an internal graticule.

QUICK REFERENCE DATA			
Final accelerator voltage	$V_{g8(\ell)}$	10	kV
Display area		100 x 80	mm <sup>2</sup>
Deflection coefficient, horizontal	$M_x$	15,2	V/cm
vertical	$M_y$	4,1	V/cm

**SCREEN** : Metal-backed phosphor

	Colour	Persistence
D14-162GH/09	green	medium-short

Useful screen area	>	100 x 80	mm <sup>2</sup>
Useful scan at $V_{g8(\ell)}/V_{g2}, g_4 = 6, 7$ ,	>	100	mm
	vertical	>	80 mm
Spot eccentricity in horizontal direction	<	6	mm

The x-trace can be aligned with the x-lines of the graticule by means of correction coils fitted around the tube by the manufacturer (see last page but one).

**HEATING** : Indirect by a.c. or d.c. ; parallel supply

Heater voltage	$V_f$	6,3	V
Heater current	$I_f$	300	mA

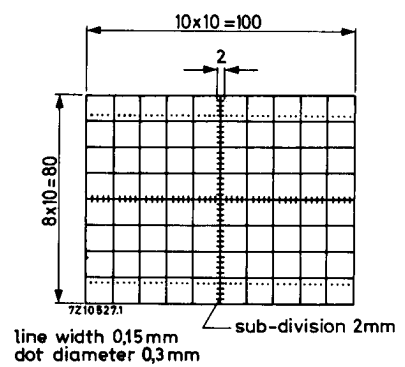
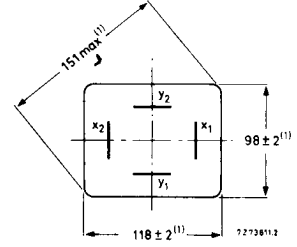
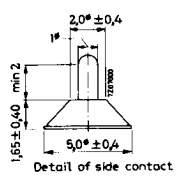
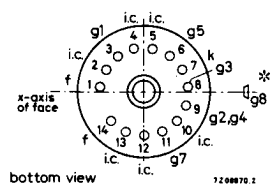
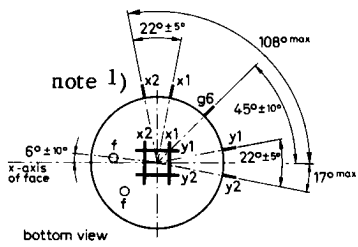
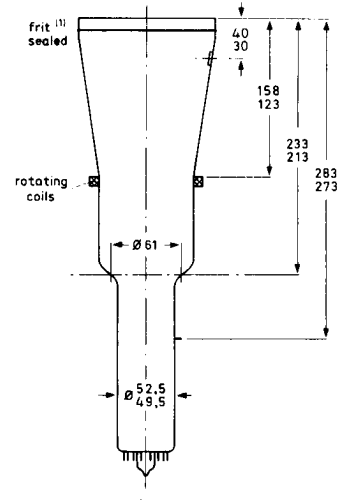
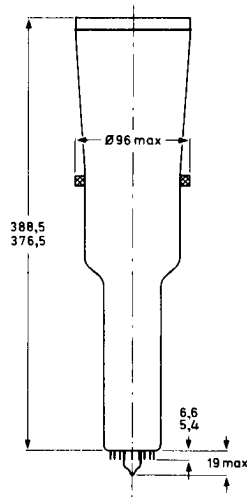
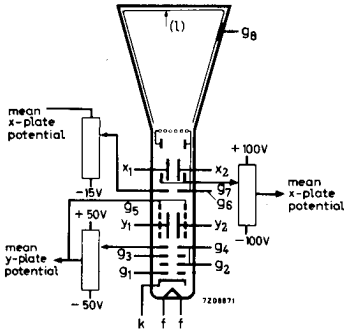
### MECHANICAL DATA

#### Dimensions and connections

See also outline drawing

Overall length (socket included)	<	407,5	mm
Face dimensions	<	100 x 120	mm
<u>Net mass</u>	approx.	1200	g

Dimensions in mm



(1) The bulge at the frit seal may increase the indicated maximum dimensions by not more than 2 mm.

\* The centre of the contact is situated within a square of 10 mm x 10 mm around the true geometrical position.



Base

14 pin all glass

Mounting position : any

The tube should not be supported by the base alone and under no circumstances should the socket be allowed to support the tube.

Accessories

Socket (supplied with tube)	type	55566	
Final accelerator contact connector	type	55563A	
Mu-metal shield	type	55585	1)

<b>FOCUSING</b>	electrostatic
<b>DEFLECTION</b>	double electrostatic
x-plates	symmetrical
y-plates	symmetrical

If use is made of the full deflection capabilities of the tube the deflection plates will intercept part of the electron beam; hence a low impedance deflection plate drive is desirable.

Angle between x and y-traces  $90^\circ \pm 1^\circ$

Angle between x-trace and the horizontal axis of the face  $0^\circ$  See "Correction Coils".

**LINE WIDTH**

Measured with the shrinking raster method in the centre of the screen under typical operating conditions, adjusted for optimum spot size at a beam current  $I_f = 10 \mu\text{A}$ .

Line width at the centre of the screen	l. w.	0,3	mm
--	-------	-----	----

**CAPACITANCES**

$x_1$ to all other elements except $x_2$	$C_{x1(x2)}$	5,5	pF
$x_2$ to all other elements except $x_1$	$C_{x2(x1)}$	5,5	pF
$y_1$ to all other elements except $y_2$	$C_{y1(y2)}$	3,5	pF
$y_2$ to all other elements except $y_1$	$C_{y2(y1)}$	3,5	pF
$x_1$ to $x_2$	$C_{x1x2}$	2	pF
$y_1$ to $y_2$	$C_{y1y2}$	1,6	pF
Control grid to all other elements	$C_{g1}$	5,5	pF
Cathode to all other elements	$C_k$	4	pF

1) See "Notes".

**TYPICAL OPERATING CONDITIONS**

Final accelerator voltage	$V_{g8(\ell)}$	10	kV
Geometry control electrode voltage	$V_{g7}$	$1500 \pm 100$	V 2)
Post deflection and interplate shield voltage	$V_{g6}$	1500	V
Background illumination control voltage	$\Delta V_{g6}$	0 to -15	V 2)
Deflection plate shield voltage	$V_{g5}$	1500	V 3)
Focusing electrode voltage	$V_{g3}$	450 to 550	V
First accelerator voltage	$V_{g2, g4}$	1500	V
Astigmatism control voltage	$\Delta V_{g2, g4}$	$\pm 50$	V 4)
Control grid voltage for visual extinction of focused spot	$V_{g1}$	-30 to -70	V
Grid drive for 10 $\mu$ A screen current		approx. 20	V
Deflection coefficient, horizontal	$M_x$	15, 2	V/cm
		< 16	V/cm
vertical	$M_y$	4, 1	V/cm
		< 4, 4	V/cm
Deviation of linearity of deflection		< 2	% 5)
Geometry distortion		See note 6	
Useful scan, horizontal		> 100	mm
vertical		> 80	mm

**LIMITING VALUES** (Absolute max. rating system)

Final accelerator voltage	$V_{g8(\ell)}$	max.	12	kV
		min.	9	kV
Post deflection and interplate shield voltage and geometry control electrode voltage	$V_{g7}, V_{g6}$	max.	2200	V
Deflection plate shield voltage	$V_{g5}$	max.	2200	V
Focusing electrode voltage	$V_{g3}$	max.	2200	V
First accelerator and astigmatism control electrode voltage	$V_{g2, g4}$	max.	2200	V
		min.	1350	V
Control grid voltage	$-V_{g1}$	max.	200	V
		min.	0	V
Cathode to heater voltage	$V_{kf}$	max.	125	V
	$-V_{kf}$	max.	125	V
Voltage between astigmatism control electrode and any deflection plate	$V_{g4/x}$	max.	500	V
	$V_{g4/y}$	max.	500	V
Grid drive, average		max.	30	V
Screen dissipation	$W_\ell$	max.	8	mW/cm <sup>2</sup>
Ratio $V_{g8(\ell)}/V_{g2, g4}$	$V_{g8(\ell)}/V_{g2, g4}$	max.	6, 7	
Control grid circuit resistance	$R_{g1}$	max.	1	M $\Omega$

Notes see next page.

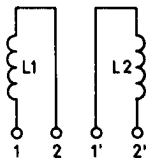
## NOTES

- 1) To avoid damage to the side contacts the narrower end of the mu-metal shield should have an internal diameter of not less than 64 mm.
- 2) This tube is designed for optimum performance when operating at a ratio  $V_{g8(\ell)}/V_{g2g4}$   $V_{g8(\ell)}/V_{g2, g4} = 6, 7$ .  
The geometry control voltage  $V_{g7}$  should be adjusted within the indicated range (values with respect to the mean x-plate potential).  
A negative control voltage on  $g_6$  (with respect to the mean x-plate potential) will cause some pincushion distortion and less background light.  
By the use of two voltages,  $V_{g6}$  and  $V_{g7}$ , it is possible to find the best compromise between background light and raster distortion.  
If a fixed voltage on  $V_{g6}$  is required this voltage should be 10 V lower than the mean x-plate potential.
- 3) The deflection plate shield voltage should be equal to the mean y-plate potential.  
The mean x and y-plate potentials should be equal for optimum spot quality.
- 4) The astigmatism control electrode voltage should be adjusted for optimum spot shape.  
For any necessary adjustment its potential will be within the stated range.
- 5) The sensitivity at a deflection of less than 75% of the useful scan will not differ from the sensitivity at a deflection of 25% of the useful scan by more than the indicated value.
- 6) A graticule, consisting of concentric rectangles of 95 mm x 75 mm and 93 mm x 73, 6 mm is aligned with the electrical x-axis of the tube. With optimum corrections applied a raster will fall between these rectangles.

## CORRECTION COILS

General

The D14-1626H/09 is provided with a pair of coils L1 and L2 for image rotation which enable the alignment of the x-trace with the x-lines of the graticule.

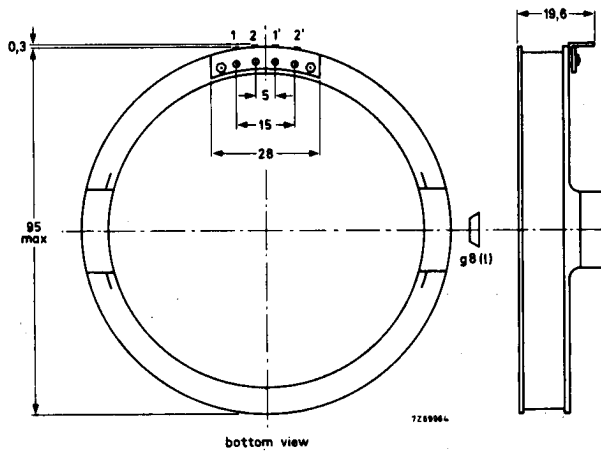


7259619

The image rotation coils are wound concentrically around the tube neck. Under typical operating conditions 50 ampere-turns are required for the maximum rotation of  $5^\circ$ . Both coils have 850 turns. This means that a current of  $< 30$  mA per coil is required which can be obtained by using a 24 V supply when the coils are connected in series, or a 12 V supply when they are in parallel.

Connecting the coils

The coils have been connected to the 4 soldering tags as follows:



## INSTRUMENT CATHODE-RAY TUBE

14 cm diagonal rectangular flat-faced oscilloscope tube with domed post-deflection acceleration mesh, sectioned y-plates, and metal-backed screen with internal graticule.

QUICK REFERENCE DATA			
Final accelerator voltage	$V_{g9(\ell)}$	20	kV
Display area		100 x 80	mm <sup>2</sup>
Deflection coefficient, horizontal vertical	$M_x$	9	V/cm
	$M_y$	3	V/cm

### SCREEN

Metal-backed phosphor

	colour	persistence
D14-240GH/37	green	medium short

Useful screen dimensions > 100 x 80 mm

Spot eccentricity in horizontal  
and vertical directions < 6 mm

### HEATING

Indirect by a.c. or d.c.; parallel supply

Heater voltage  $V_f$  6,3 V

Heater current  $I_f$  300 mA

### MECHANICAL DATA

Mounting position: any

The tube should not be supported by the base alone and under no circumstances should the socket be allowed to support the tube.

Dimensions and connections

See also outline drawing

Overall length (socket included) < 385 mm

Face dimensions < 120 x 100 mm

**MECHANICAL DATA** ( continued )

<u>Net mass</u>	≈	900	g
<u>Base</u>		14 pin, all glass	
<u>Accessories</u>			
Socket ( supplied with tube )	type	55566	
Side contact connector ( 12 required )	type	55561	
Final accelerator contact connector	note	1)	
Mu-metal shield	note	2)	

**FOCUSING**

electrostatic

**DEFLECTION**

double electrostatic

x-plates

symmetrical

y-plates

symmetrical

Angle between x and y traces

90°

Angle between x-trace and x-axis of  
the internal graticule

0°

See also "Correction coils"

If use is made of the full deflection capabilities of the tube the deflection plates will intercept part of the electron beam; hence a low impedance deflection plate drive is desirable.

**CAPACITANCES**

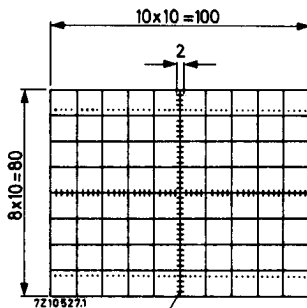
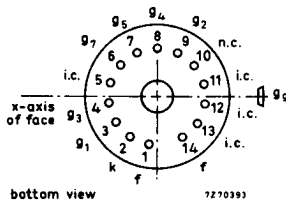
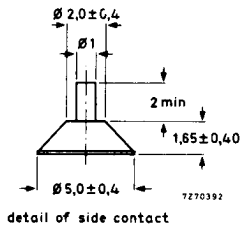
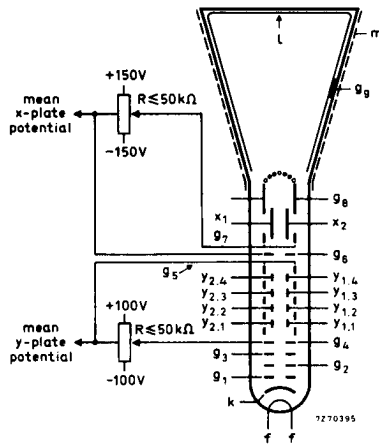
$x_1$ to all other elements except $x_2$	$C_{x_1(x_2)}$	4,5	pF
$x_2$ to all other elements except $x_1$	$C_{x_2(x_1)}$	4,5	pF
$y_{1.1}$ to all other elements except $y_{2.1}$	$C_{y_{1.1}(y_{2.1})}$	1,3	pF
$y_{2.1}$ to all other elements except $y_{1.1}$	$C_{y_{2.1}(y_{1.1})}$	1,3	pF
$x_1$ to $x_2$	$C_{x_1x_2}$	3	pF
$y_{1.1}$ to $y_{2.1}$	$C_{y_{1.1}y_{2.1}}$	0,7	pF
Control grid to all other elements	$C_{g_1}$	5,5	pF
Cathode to all other elements	$C_k$	4,5	pF

1) The connection to the final accelerator electrode is made by means of an EHT cable attached to the tube.

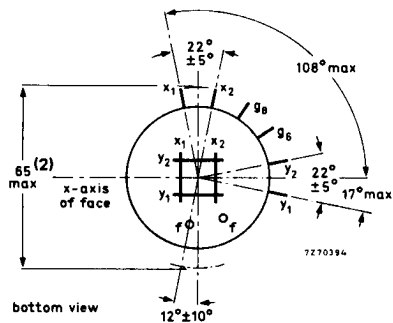
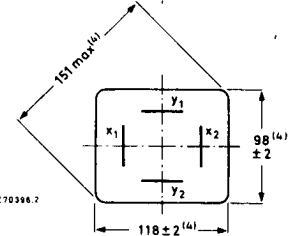
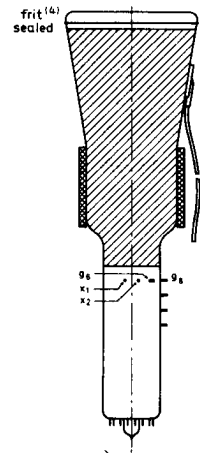
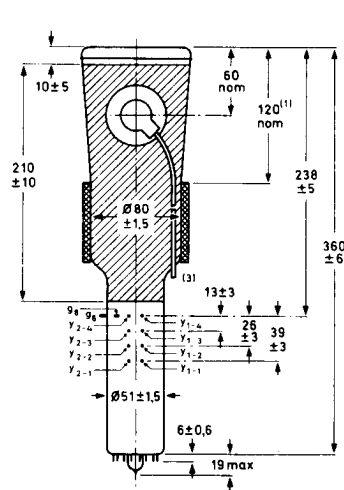
2) The diameter of the mu-metal shield should be large enough to avoid damage to the side contacts.

**DIMENSIONS AND CONNECTIONS**

Dimensions in mm



line width 0,15 mm  
dot diameter 0,3 mm  
sub-division 2mm



- (1) Recommended position of correction coils.
- (2) See page 2.
- (3) Length of cable approx. 460 mm.
- (4) The bulge at the frit seal may increase the indicated maximum dimensions by not more than 2 mm.

**TYPICAL OPERATION**

**Conditions**

Final accelerator voltage	$V_{g9(\ell)}$	20	kV
Post deflection accelerator mesh electrode voltage	$V_{g8}$	2000	V
Geometry control electrode voltage	$V_{g7}$	$2000 \pm 150$	V 1)
Interplate shield voltage	$V_{g6}$	2000	V 2)
Deflection plate shield voltage	$V_{g5}$	2000	V 3)
Astigmatism control electrode voltage	$V_{g4}$	$2000 \pm 100$	V 4)
Focusing electrode voltage	$V_{g3}$	500 to 800	V
First accelerator voltage	$V_{g2}$	2000	V
Control grid voltage for visual extinction of focused spot	$V_{g1}$	-55 to -110	V
Voltage on outer conductive coating	$V_m$	2000	V

**Performance**

Useful scan, horizontal		>	100	mm 5)
	vertical	>	80	mm
Deflection coefficient, horizontal	$M_x$		9	V/cm
			<	9,9
vertical	$M_y$		3	V/cm
			<	3,3
Line width		≈	0,45	mm 6)
Writing speed		>	1,5	cm/ns <sup>7)</sup>
Deviation of linearity of deflection			see note 8	%
Geometry distortion			see note 9	
Grid drive for 10 μA screen current		≈	20	V

- 1) The geometry control electrode voltage  $V_{g7}$  should be adjusted within the indicated range (values with respect to the mean x-plate potential).
- 2) The interplate shield voltage should be equal to the mean x-plate potential.
- 3) The deflection plate shield voltage should be equal to the mean y-plate potential. The mean x-plate and y-plate potentials should be equal for optimum performance.
- 4) The astigmatism control electrode voltage should be adjusted for optimum spot shape. For any necessary adjustment its potential will be within the stated range.
- 5) If the tube is operated at a ratio  $V_{g9(\ell)}/V_{g5} < 10$ , the useful scan may be smaller than 100 mm x 80 mm. The scanned raster can be shifted and aligned with the internal graticule by means of correction coils fitted around the tube.



## LIMITING VALUES (Absolute maximum rating system)

Final accelerator voltage	$V_{g9(\ell)}$	max. min.	21 kV 15 kV
Post deflection acceleration mesh electrode voltage	$V_{g8}$	max.	2200 V
Geometry control electrode voltage	$V_{g7}$	max.	2400 V
Interplate shield voltage	$V_{g6}$	max.	2200 V
Deflection plate shield voltage	$V_{g5}$	max.	2200 V
Astigmatism control electrode voltage	$V_{g4}$	max. min.	2300 V 1800 V
Focusing electrode voltage	$V_{g3}$	max.	2200 V
First accelerator voltage	$V_{g2}$	max. min.	2200 V 1900 V
Control grid voltage	$-V_{g1}$	max. min.	200 V 0 V
Cathode to heater voltage			
positive	$V_{kf}$	max.	125 V
negative	$-V_{kf}$	max.	125 V
Voltage between astigmatism control electrode and any deflection plate	$V_{g4/x}$ $V_{g4/y}$	max. max.	500 V 500 V
Grid drive, average		max.	30 V
Screen dissipation	$W_{\ell}$	max.	8 mW/cm <sup>2</sup>
Ratio $V_{g9}/V_{g5}$	$V_{g9}/V_{g5}$	max. min.	10 8
Control grid circuit resistance	$R_{g1}$	max.	1 M $\Omega$

6. Measured with the shrinking raster method in the centre of the screen, with corrections adjusted for optimum spot size, at a beam current of 10  $\mu$ A.

7. Writing speed measuring conditions:

Film	Polaroid 410 (10 000 ASA)
Lens	F 1/1,2
Object to image ratio	1/0,5
Modulation	$\Delta V_{g1} = 55$ V

8. The deflection coefficient over each division will not differ more than 5% from that over any other division; all these deflection coefficients being measured per division along the axes.

9. A graticule consisting of concentric rectangles of 95 mm x 75 mm and 93 mm x 73,6 mm is aligned with the electrical x-axis of the tube. With optimum corrections applied, the edges of a raster will fall between these rectangles.

**CORRECTION COILS**

On request a correction coil unit can be made available consisting of:

1. a pair of coils L1 and L2 which enable the angle between the x and y traces at the centre of the screen to be made exactly  $90^{\circ}$  (orthogonality correction).
2. a pair of coils L3 and L4 which enable the scanned area to be shifted up and down (vertical shift).
3. a coil L5 for image rotation which enables the alignment of the x trace with the x lines of the graticule.

**Orthogonality (coils L1 and L2)**

The current required under typical operating conditions with mu-metal shield being used is  $< 8$  mA for complete correction of orthogonality.

The resistance of each coil is  $\approx 160 \Omega$ .

**Shift (coils L3 and L4)**

The current required under typical operating conditions with mu-metal shield being used is  $< 12$  mA for a maximum shift of 5 mm.

The resistance of each coil is  $\approx 160 \Omega$ .

**Image rotation (coil L5)**

The image rotation coil is wound concentrically around the tube neck. Under typical operating conditions 27 ampere-turns are required for the maximum rotation of  $5^{\circ}$ .

The coil has 1560 turns. This means that a current of  $< 18$  mA is required.

The resistance of the coil is  $\approx 185 \Omega$ .



## INSTRUMENT CATHODE-RAY TUBE

14 cm diagonal, rectangular flat faced oscilloscope tube with post-deflection acceleration mesh, primarily for use in compact oscilloscopes with 15 to 20 MHz bandwidth. This tube features a low heater consumption.

### QUICK REFERENCE DATA

Final accelerator voltage	$V_{g7(\ell)}$	4 kV
Display area		100 mm x 80 mm
Deflection coefficient		
horizontal	$M_x$	19,5 V/cm
vertical	$M_y$	10,5 V/cm

The D14-261GH is equivalent to the type D14-262GH except for the following.

### HEATING

Indirect by AC or DC\*

Heater voltage	$V_f$	6,3 V
Heater current	$I_f$	0,1 A

### LIMITING VALUES (Absolute maximum rating system)

Cathode to heater voltage			
positive	$V_{kf}$	max.	100 V
negative	$-V_{kf}$	max.	15 V

\* Not to be connected in series with other tubes.



## INSTRUMENT CATHODE-RAY TUBE

14 cm diagonal, rectangular flat-faced oscilloscope tube with post-deflection acceleration mesh, primarily for use in compact oscilloscopes with 15 to 20 MHz bandwidth. This tube features a 1,5 W cathode with short warm-up time (quick-heating cathode).

### QUICK REFERENCE DATA

Final accelerator voltage	$V_{g7(l)}$	4 kV
Display area		100 mm x 80 mm
Deflection coefficient		
horizontal	$M_x$	19,5 V/cm
vertical	$M_y$	10,5 V/cm

### OPTICAL DATA

Screen		
phosphor type		GH, colour green
persistence		medium short
Useful screen dimensions	≥	100 mm x 80 mm
Useful scan		
horizontal	≥	100 mm
vertical	≥	80 mm
Spot eccentricity in horizontal and vertical directions	≤	6,5 mm

### HEATING

Indirect by AC or DC*		
Heater voltage	$V_f$	6,3 V
Heater current	$I_f$	0,24 A

### MECHANICAL DATA

#### Mounting position: any

The tube should not be supported by the base alone and under no circumstances should the socket be allowed to support the tube.

Net mass	approx. 1 kg
Base	14-pin, all glass
Final accelerator contact	small ball

\* Not to be connected in series with other tubes.

**Dimensions and connections**

See also outline drawing

Overall length	≤	333 mm
Face dimensions	≤	100 x 120 mm <sup>2</sup>

**Accessories**

Socket, supplied with tube	type 55566
Mu-metal shield	type 55591
Final accelerator contact connector	type 55569

**FOCUSING**

electrostatic

**DEFLECTION**

double electrostatic

x-plates

symmetrical

y-plates

symmetrical

Angle between x and y-traces

 $90 \pm 1^\circ$ 

Angle between x-trace and horizontal axis of the face

≤  $5^\circ$  \*

If use is made of the full deflection capabilities of the tube the deflection plates will block part of the electron beam, hence a low impedance deflection plate drive is desirable.

**CAPACITANCES**

x <sub>1</sub> to all other elements except x <sub>2</sub>	C <sub>x1(x2)</sub>	7 pF
x <sub>2</sub> to all other elements except x <sub>1</sub>	C <sub>x2(x1)</sub>	6,5 pF
y <sub>1</sub> to all other elements except y <sub>2</sub>	C <sub>y1(y2)</sub>	4 pF
y <sub>2</sub> to all other elements except y <sub>1</sub>	C <sub>y2(y1)</sub>	3,5 pF
x <sub>1</sub> to x <sub>2</sub>	C <sub>x1x2</sub>	2,2 pF
y <sub>1</sub> to y <sub>2</sub>	C <sub>y1y2</sub>	1,1 pF
Control grid to all other elements	C <sub>g1</sub>	6,1 pF
Cathode to all other elements	C <sub>k</sub>	2,7 pF

\* The tube is provided with a rotation coil, concentrically wound around the tube neck, enabling the alignment of the x-trace with the mechanical x-axis of the screen. The coil has 1000 turns and a resistance of max. 400 Ω. Under typical operating conditions, max. 30 ampere-turns are required for the max. rotation of 5°. This means the required current is max. 30 mA at a required voltage of max. 12 V.

DIMENSIONS AND CONNECTIONS

Dimensions in mm

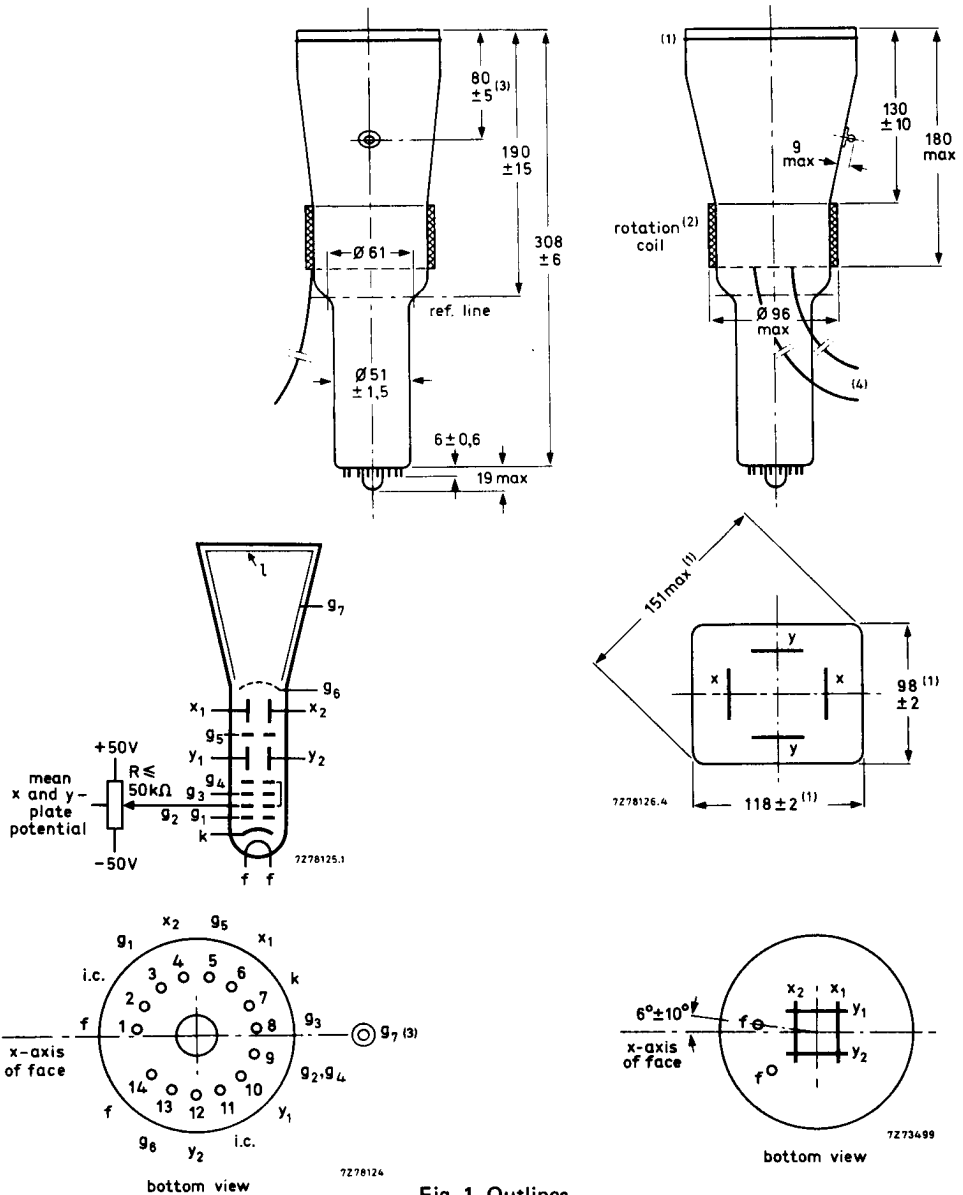


Fig. 1 Outlines.

Notes to Fig. 1

- (1) The bulge at the frit seal may increase the indicated maximum dimensions by not more than 2 mm.
- (2) The coil is fixed to the envelope by means of adhesive tape.
- (3) The centre of the contact is situated within a square of 10 mm x 10 mm around the true geometrical position.
- (4) The length of the connecting leads of the rotation coil is min. 350 mm.

## TYPICAL OPERATION

## Conditions

Final accelerator voltage	$V_{g7(l)}$	4 kV	
Post deflection accelerator mesh electrode voltage	$V_{g6}$	2000 V	
Interplate shield voltage	$V_{g5}$	2000 V	see note 1
First accelerator voltage	$V_{g2, g4}$	2000 V	
Astigmatism control electrode voltage	$\Delta V_{g2, g4}$	$\pm 50$ V	see note 2
Focusing electrode voltage	$V_{g3}$	300 to 480 V	
Cut-off voltage for visual extinction of focused spot	$-V_{g1}$	30 to 70 V	

## Performance

Useful scan	horizontal	$\geq$	100 mm	} see note 3
	vertical	$\geq$	80 mm	
Deflection coefficient	horizontal	$M_x$	$\leq$	19,5 V/cm
				$\leq$
vertical	$M_y$		$\leq$	10,5 V/cm
				$\leq$
Line width	l.w.	$\approx$	0,35 mm	see note 4
Deviation of deflection linearity		$\leq$	2 %	see note 5
Grid drive for 10 $\mu$ A screen current	$V_d$	$\approx$	20 V	
Geometry distortion	see note 6			

## NOTES

1. The interplate shield voltage should be equal to the mean x-plate and y-plate potentials should be equal for optimum spot quality.
2. The astigmatism control electrode voltage should be adjusted for optimum spot shape. For any necessary adjustment its potential will be within the stated range.
3. The tube is designed for optimum performance when operating at a ratio  $V_{g7(l)}/V_{g2, g4} = 2$ . If this ratio is smaller than 2, the useful scan may be smaller than 100 mm x 80 mm.
4. Measured with the shrinking raster method in the centre of the screen with corrections adjusted for optimum spot size, at a beam current of 10  $\mu$ A.
5. The sensitivity at a deflection of less than 75% of the useful scan will not differ from the sensitivity at a deflection of 25% of the useful scan by more than the indicated value.
6. A graticule consisting of concentric rectangles of 95 mm x 75 mm and 93 mm x 73 mm is aligned with the electrical x-axis of the tube. With optimum corrections applied, the edges of a raster will fall between these rectangles.

**LIMITING VALUES** (Absolute maximum rating system)

Final accelerator voltage	$V_{g7(\ell)}$	max.	4,4 kV
Post deflection accelerator mesh electrode voltage	$V_{g6}$	max.	2200 V
Interplate shield voltage	$V_{g5}$	max.	2200 V
First accelerator and astigmatism control electrode voltage	$V_{g2, g4}$	max.	2200 V
		min.	1500 V
Focusing electrode voltage	$V_{g3}$	max.	2200 V
Control grid voltage	$-V_{g1}$	max.	200 V
		min.	0 V
Cathode to heater voltage	$V_{kf}$	max.	125 V
		$-V_{kf}$	max.
Grid drive, averaged over 1 ms	$V_d$	max.	20 V
Screen dissipation	$W_\ell$	max.	3 mW/cm <sup>2</sup>
Control grid circuit resistance	$R_{g1}$	max.	1 M $\Omega$





## INSTRUMENT CATHODE-RAY TUBE

14 cm diagonal rectangular flat-faced oscilloscope tube with domed post-deflection acceleration mesh and metal-backed screen, primarily for use in compact oscilloscopes with 25 to 50 MHz bandwidth. This tube features a 1,5 W cathode with short warm-up time (quick-heating cathode).

### QUICK REFERENCE DATA

Final accelerator voltage	$V_{g8(l)}$	10 kV
Display area		100 mm x 80 mm
Deflection coefficient		
horizontal	$M_x$	12,8 V/cm
vertical	$M_y$	6,3 V/cm

### OPTICAL DATA

Screen		metal-backed phosphor
phosphor type		GH, colour green
persistence		medium short
Useful screen dimensions		$\geq 100$ mm x 80 mm
Useful scan		
horizontal	$\geq$	100 mm
vertical	$\geq$	80 mm
Spot eccentricity in horizontal and vertical directions	$\leq$	6,5 mm

### HEATING

Indirect by AC or DC*		
Heater voltage	$V_f$	6,3 V
Heater current	$I_f$	0,24 A

\* Not to be connected in series with other tubes.

**MECHANICAL DATA****Mounting position**

The tube should not be supported by the base alone and under no circumstances should the socket be allowed to support the tube.

<b>Net mass</b>	approx. 1 kg
<b>Base</b>	14 pin, all glass
<b>Final accelerator contact</b>	small ball

**Dimensions and connections**

See also outline drawing

Overall length	≤	343 mm
Face dimensions	≤	100 x 120 mm <sup>2</sup>

**Accessories**

Socket, supplied with tube	type 55566
Mu-metal shield	type 55592
Final accelerator contact connector	type 55569

**FOCUSING**

electrostatic

**DEFLECTION**

double electrostatic

x-plates

symmetrical

y-plates

symmetrical

Angle between x and y-traces

$90 \pm 1^\circ$

Angle between x-trace and horizontal axis of the face

≤  $5^\circ$  \*

If use is made of the full deflection capabilities of the tube the deflection plates will block part of the electron beam, hence a low impedance deflection plate drive is desirable.

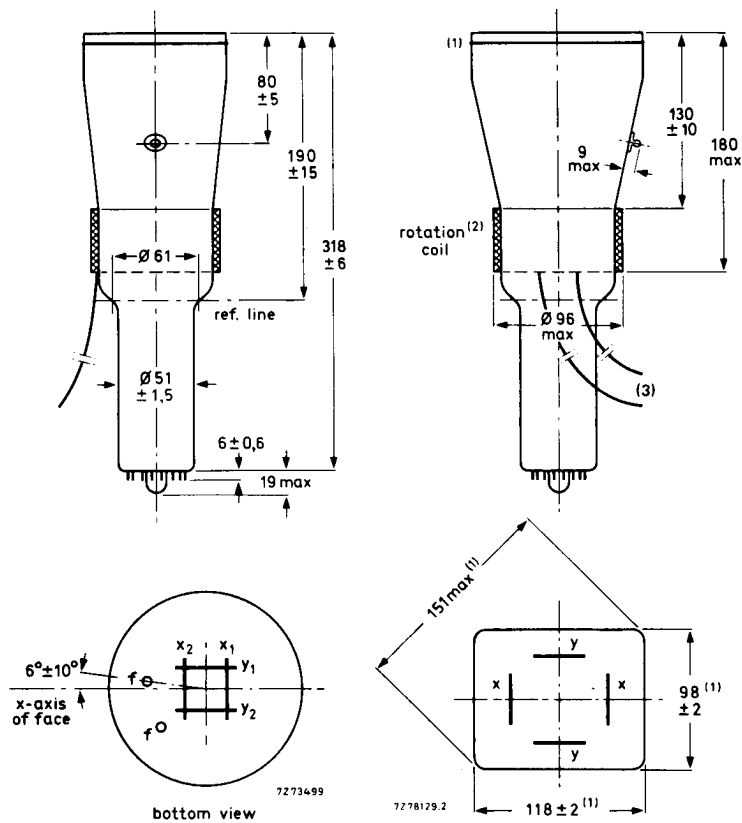
**CAPACITANCES**

$x_1$ to all other elements except $x_2$	$C_{x1(x2)}$	7 pF
$x_2$ to all other elements except $x_1$	$C_{x2(x1)}$	7 pF
$y_1$ to all other elements except $y_2$	$C_{y1(y2)}$	4 pF
$y_2$ to all other elements except $y_1$	$C_{y2(y1)}$	4 pF
$x_1$ to $x_2$	$C_{x1x2}$	2,2 pF
$y_1$ to $y_2$	$C_{y1y2}$	1,3 pF
Control grid to all other elements	$C_{g1}$	6 pF
Cathode to all other elements	$C_k$	2,7 pF

\* The tube is provided with a rotation coil, concentrically wound around the tube neck, enabling the alignment of the x-trace with the mechanical x-axis of the screen. The coil has 1000 turns and a resistance of max. 350  $\Omega$ . Under typical operating conditions, max. 35 ampere-turns are required for the max. rotation of  $5^\circ$ . This means the required current is max. 35 mA at a required voltage of max. 12 V.

## DIMENSIONS AND CONNECTIONS

Dimensions in mm



- (1) The bulge at the frit seal may increase the indicated maximum dimensions by not more than 2 mm.  
 (2) The coil is fixed to the envelope by means of adhesive tape.  
 (3) The length of the connecting leads of the rotation coil is min. 350 mm.

Fig. 1 Outlines.

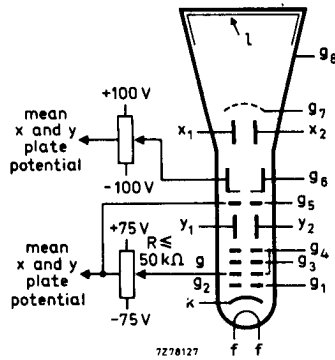


Fig. 2 Electrode configuration.

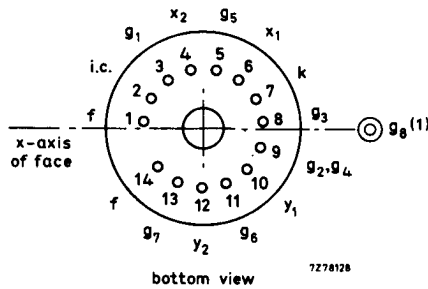


Fig. 3 Pin arrangement.

- (1) The centre of the contact is situated within a square of 10 mm x 10 mm around the true geometrical position.

## TYPICAL OPERATION

## Conditions

Final accelerator voltage	$V_{g8(\ell)}$	10 kV	
Post deflection accelerator mesh electrode voltage	$V_{g7}$	2000 V	
Geometry control electrode voltage	$V_{g6}$	$2000 \pm 100$ V	see note 1
Interplate shield voltage	$V_{g5}$	2000 V	see note 2
First accelerator voltage	$V_{g2, g4}$	2000 V	
Astigmatism control electrode voltage	$\Delta V_{g2, g4}$	$\pm 75$ V	see note 3
Focusing electrode voltage	$V_{g3}$	400 to 560 V	
Cut-off voltage for visual extinction of focused spot	$-V_{g1}$	25 to 70 V	

## Performance

Useful scan				} see note 4				
					horizontal	$\gg$	100 mm	
vertical		$\gg$	80 mm					
Deflection coefficient								
					horizontal	$M_x$	$\ll$	12,8 V/cm
								14 V/cm
vertical	$M_y$	$\ll$	6,3 V/cm					
			7 V/cm					
Line width	l.w.	$\approx$	0,38 mm	see note 5				
Deviation of deflection linearity		$\ll$	2 %	see note 6				
Grid drive for 10 $\mu$ A screen current	$V_d$	$\approx$	20 V					
Geometry distortion	see note 7							

## LIMITING VALUES (Absolute maximum rating system)

Final accelerator voltage	$V_{g8(\ell)}$	max.	12 kV
Post deflection accelerator mesh electrode voltage	$V_{g7}$	max.	2200 V
Geometry control electrode voltage	$V_{g6}$	max.	2200 V
Interplate shield voltage	$V_{g5}$	max.	2200 V
Accelerator voltage	$V_{g2, g4}$	max.	2200 V
		min.	1800 V
Focusing electrode voltage	$V_{g3}$	max.	2200 V
Control grid voltage	$-V_{g1}$	max.	200 V
		min.	0 V
Cathode to heater voltage		max.	125 V
		max.	125 V
Grid drive, averaged over 1 ms	$V_d$	max.	20 V
Screen dissipation	$W_\ell$	max.	8 mW/cm <sup>2</sup>
Voltage between astigmatism control electrode and any deflection plate	$V_{g4/x}$ $V_{g4/y}$	max.	500 V
		max.	500 V
Control grid circuit resistance	$R_{g1}$	max.	1 M $\Omega$

## NOTES

1. The geometry control electrode voltage  $V_{g6}$  should be adjusted within the indicated range (values with respect to the mean x-plate potential).
2. The interplate shield voltage should be equal to the mean x-plate potential. The mean x-plate and y-plate potentials should be equal for optimum spot quality.
3. The astigmatism control electrode voltage should be adjusted for optimum spot shape. For any necessary adjustment its potential will be within the stated range.
4. The tube is designed for optimum performance when operating at a ratio  $V_{g8(\rho)}/V_{g2}, g_4 = 5$ .  
If this ratio is smaller than 5, the useful scan may be smaller than 100 mm x 80 mm.
5. Measured with the shrinking raster method in the centre of the screen with corrections adjusted for optimum spot size, at a beam current of 10  $\mu$ A.
6. The sensitivity at a deflection of less than 75% of the useful scan will not differ from the sensitivity at a deflection of 25% of the useful scan by more than the indicated value.
7. A graticule consisting of concentric rectangles of 95 mm x 75 mm and 93 mm x 73 mm is aligned with the electrical x-axis of the tube. With optimum corrections applied, the edges of a raster will fall between these rectangles.

## INSTRUMENT CATHODE-RAY TUBE

14 cm diagonal rectangular flat-faced oscilloscope tube with domed mesh and metal-backed screen with internal graticule. The tube has side connections to the x and y-plates, and is intended for use in compact oscilloscopes with up to 150 MHz bandwidth. This tube features a 1,5 W cathode with short warm-up time (quick-heating cathode).

### QUICK REFERENCE DATA

Final accelerator voltage	$V_{g8(\text{R})}$	16,5 kV
Display area		100 x 80 mm <sup>2</sup>
Deflection coefficient		
horizontal	$M_x$	8,7 V/cm
vertical	$M_y$	4,7 V/cm

### OPTICAL DATA

Screen		metal-backed phosphor
type		GH, colour green
persistence		medium short
Useful screen dimensions	$\geq$	100 x 80 mm <sup>2</sup>
Useful scan		
horizontal	$\geq$	100 mm
vertical	$\geq$	80 mm
Spot eccentricity in horizontal and vertical directions	$\leq$	6,5 mm

### HEATING

Indirect by a.c. or d.c.; parallel supply -

Heater voltage	$V_f$	6,3 V
Heater current	$I_f$	0,24 A

**MECHANICAL DATA****Dimensions and connections**

See outline drawings

Overall length (socket included)

≤ 397 mm

Face dimensions

≤ 100 x 120 mm<sup>2</sup>**Net mass**

approx. 1 kg

**Base**

14 pin, all glass

**Mounting position: any**

The tube should not be supported by the base alone and under no circumstances should the socket be allowed to support the tube.

**Accessories**

Socket, supplied with tube

type 55572

Side contact connector (7 required)

type 55561

Final accelerator contact connector

connection to final  
accelerator electrode is  
made via an EHT cable  
attached to the tube

**FOCUSING**

electrostatic

**DEFLECTION**

x-plates

double electrostatic

y-plates

symmetrical

Angle between x and y-traces

symmetrical

 $90 \pm 1^\circ$ 

Angle between y-trace and y-axis of the internal graticule

≤ 5° \*

If use is made of the full deflection capabilities of the tube the deflection plates will block part of the electron beam, hence a low impedance deflection plate drive is desirable.

\* The tube is provided with a rotation coil, concentrically wound around the tube neck, enabling the alignment of the y-trace with the mechanical y-axis of the screen. The coil has 2000 turns and a maximum resistance of 650 Ω. Under typical operating conditions, a maximum of 40 ampere-turns are required for the maximum rotation of 5°. This means the required current is 20 mA maximum at a required voltage of 13 V.



**CAPACITANCES**

$x_1$ to all other elements except $x_2$	$C_{x1(x2)}$	5 pF
$x_2$ to all other elements except $x_1$	$C_{x2(x1)}$	5 pF
$y_1$ to all other elements except $y_2$	$C_{y1(y2)}$	1,7 pF
$y_2$ to all other elements except $y_1$	$C_{y2(y1)}$	2 pF
$x_1$ to $x_2$	$C_{x1x2}$	3 pF
$y_1$ to $y_2$	$C_{y1y2}$	1,6 pF
Control grid to all other elements	$C_{g1}$	6 pF
Cathode to all other elements	$C_k$	2,7 pF
Focusing electrode to all other electrodes	$C_{g3}$	5 pF

DIMENSIONS AND CONNECTIONS

Dimensions in mm

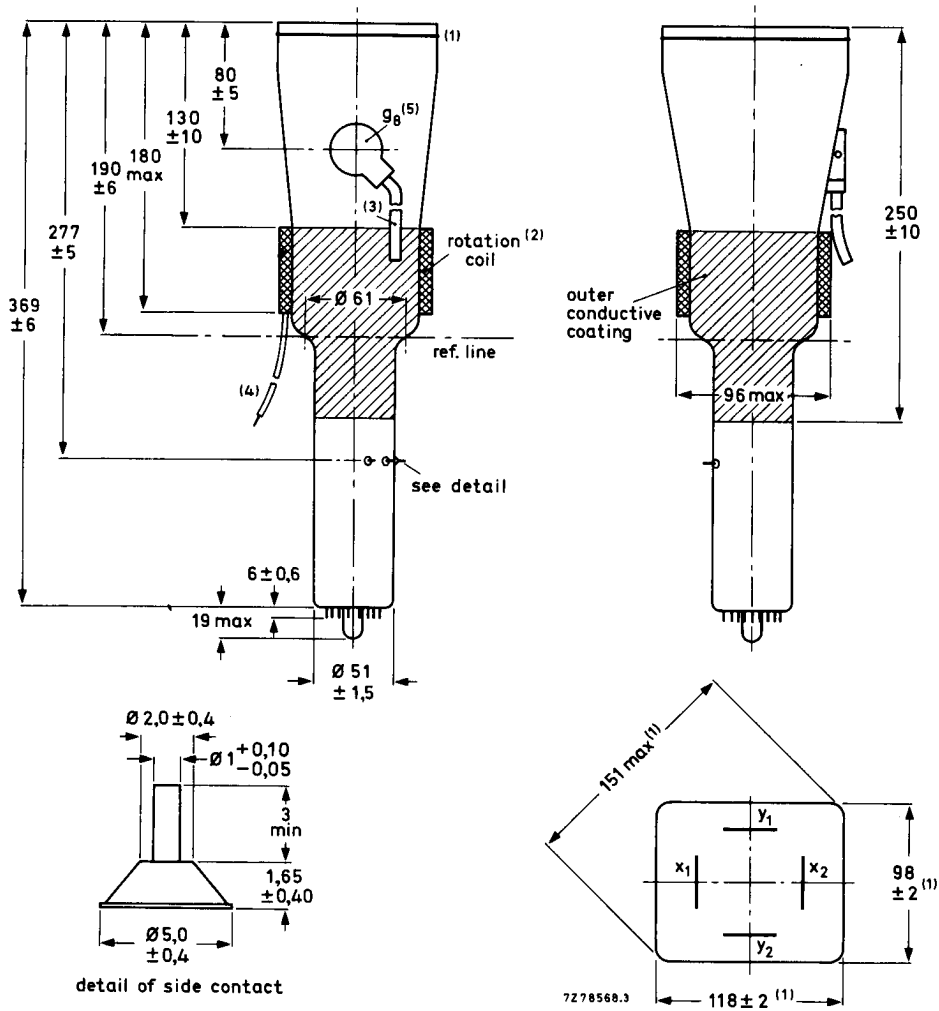


Fig. 1 Outlines; for notes see next page.

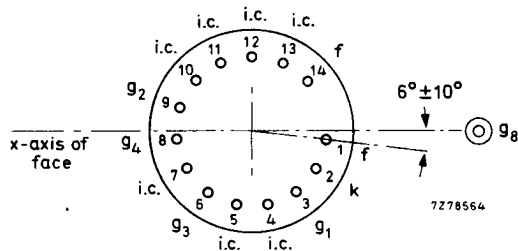


Fig. 2 Pin arrangement; bottom view.

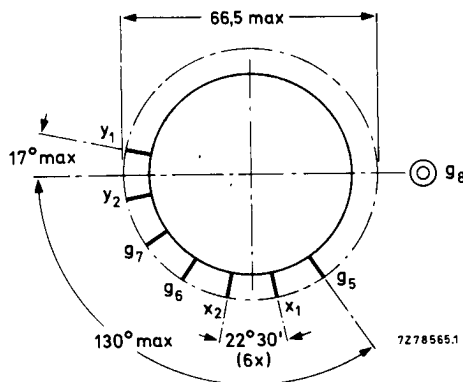


Fig. 3 Side-contact arrangement; bottom view.

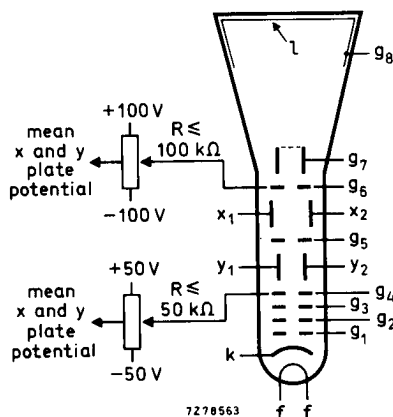


Fig. 4 Electrode configuration.

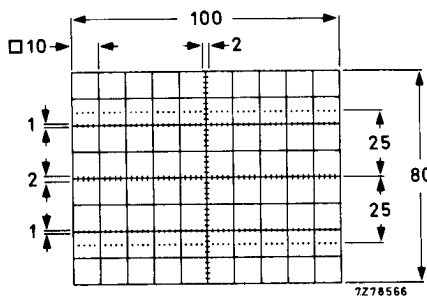


Fig. 5 Internal graticule.  
Line thickness = 0,2 mm;  
dot diameter = 0,4 mm.

**Notes to the drawing on opposite page.**

1. The bulge at the frit seal may increase the indicated maximum dimensions by not more than 2 mm.
2. The coil is fixed to the envelope by means of adhesive tape.
3. EHT cable; minimum length is 530 mm.
4. Connection cable, comprising two wires for connection of the rotation coil, and one green wire for earthing the outer conductive coating. Minimum cable length is 400 mm.
5. The centre of the final accelerator contact is situated within a square of 10 mm x 10 mm around the true geometrical position.

## TYPICAL OPERATION

## Conditions

Final accelerator voltage	$V_{g8(l)}$	16,5 kV	
Post deflection accelerator mesh electrode voltage	$V_{g7}$	2200 V	
Geometry control electrode voltage	$V_{g6}$	$2200 \pm 100$ V	(note 1)
Interplate shield voltage	$V_{g5}$	2200 V	(note 2)
First accelerator voltage	$V_{g2}$	2200 V	
Astigmatism control electrode voltage	$V_{g4}$	$2200 \pm 50$ V	(note 3)
Focusing electrode voltage	$V_{g3}$	620 to 800 V	
Cut-off voltage for visual extinction of focused spot	$-V_{g1}$	60 to 110 V	

## Performance

Useful scan			
horizontal	$\gg$	100 mm	} (note 4)
vertical	$\gg$	80 mm	
Deflection coefficient			
horizontal	$M_x$	8,7 V/cm	
		9,8 V/cm	
vertical	$M_y$	4,7 V/cm	
		5,3 V/cm	
Line width	l.w.	typ. 0,37 mm	(note 5)
Grid drive for 10 $\mu$ A screen current	$V_d$	approx. 30 V	
Geometry distortion		see note 6	
Deviation of deflection linearity		3%; see note 7	

## NOTES

1. The geometry control electrode voltage  $V_{g6}$  should be adjusted within the indicated range (values with respect to the mean x-plate potential).
2. The interplate shield voltage should be equal to the mean x-plate and y-plate potentials for optimum spot quality.
3. The astigmatism control electrode voltage should be adjusted for optimum spot shape. For any necessary adjustment its potential will be within the stated range.
4. The tube is designed for optimum performance when operating at a ratio  $V_{g8(l)}/V_{g2} = 7,5$ . If this ratio is smaller, the useful scan may be smaller than 100 mm x 80 mm.
5. Measured with the shrinking raster method in the centre of the screen with corrections adjusted for optimum spot size, at a beam current of 10  $\mu$ A.
6. A graticule consisting of horizontal and vertical line pairs according to Fig. 6, is aligned with the electrical x-axis of the tube. With optimum corrections applied (including orthogonality correction), any horizontal or vertical trace will fall between these line pairs.
7. Deviation of linearity is defined as the proportional deviation of the deflection coefficient over any division on the x-axis and y-axis from the average values over the central eight (horizontal) and central six (vertical) divisions respectively.

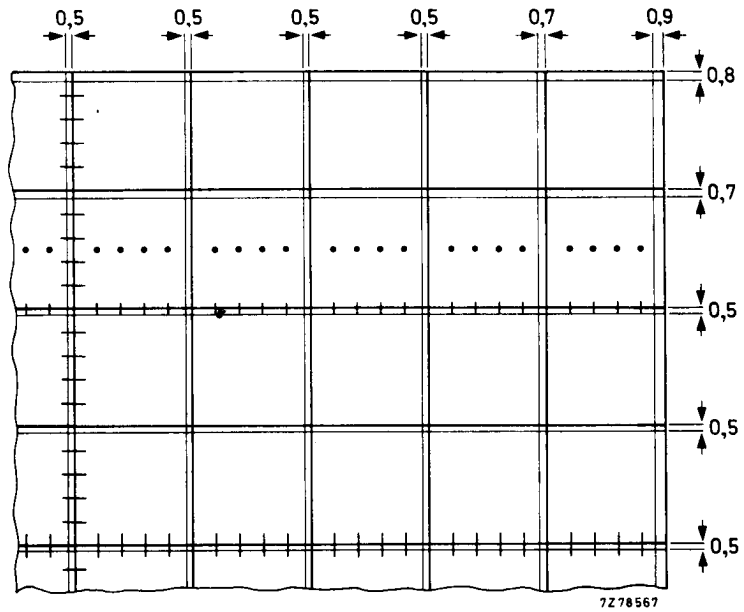


Fig. 6 Quarter of graticule with horizontal and vertical line pairs, see note 6.

**LIMITING VALUES** (Absolute maximum rating system)

Final accelerator voltage	$V_{g8(\ell)}$	max.	18 kV
Post deflection accelerator mesh electrode voltage	$V_{g7}$	max.	2500 V
Geometry control electrode voltage	$V_{g6}$	max.	2500 V
Interplate shield voltage	$V_{g5}$	max.	2500 V
Astigmatism control electrode voltage	$V_{g4}$	max.	2500 V
Focusing electrode voltage	$V_{g3}$	max.	2500 V
First accelerator voltage	$V_{g2}$	max.	2500 V
Control grid voltage	$-V_{g1}$	max. min.	200 V 0 V
Cathode to heater voltage			
positive	$V_{kf}$	max.	125 V
negative	$-V_{kf}$	max.	125 V
Voltage between astigmatism control electrode and any deflection plate	$V_{g4/x}$ $V_{g4/y}$	max.	500 V 500 V
Grid drive, averaged over 1 ms	$V_d$	max.	20 V
Screen dissipation	$W_\ell$	max.	8 mW/cm <sup>2</sup>
Control grid circuit resistance	$R_{g1}$	max.	1 M $\Omega$



## INSTRUMENT CATHODE-RAY TUBES

- mono accelerator
- 14 cm diagonal rectangular flat face
- internal magnetic lens system for vertical scan magnification, orthogonality, astigmatism and eccentricity correction
- low heater consumption
- with or without internal graticule
- flat screen edges facilitate graticule illumination
- reference points on faceplate for graticule alignment
- for inexpensive oscilloscopes and read-out devices

## QUICK REFERENCE DATA

Accelerator voltage	$V_{g2,g4}$	2000 V
Minimum useful scan area		100 mm x 80 mm
Deflection coefficient		
horizontal	$M_x$	19 V/cm
vertical	$M_y$	11,5 V/cm

The D14-361. . is equivalent to the type D14-362. . except for the following.

## HEATING

Indirect by AC or DC\*

Heater voltage	$V_f$	6,3 V
Heater current	$I_f$	0,1 A
Heating time to attain 10% of the cathode current at equilibrium conditions		approx. 7 s

\* Not to be connected in series with other tubes.

## INSTRUMENT CATHODE-RAY TUBES

- mono accelerator
- 14 cm diagonal rectangular flat face
- internal magnetic lens system for vertical scan magnification, orthogonality, astigmatism and eccentricity correction
- quick-heating cathode
- with or without internal graticule
- flat screen edges facilitate graticule illumination
- reference points on faceplate for graticule alignment
- for inexpensive oscilloscopes and read-out devices

## QUICK REFERENCE DATA

Accelerator voltage	$V_{g2,g4}$	2000 V
Minimum useful scan area		100 mm x 80 mm
Deflection coefficient		
horizontal	$M_x$	19 V/cm
vertical	$M_y$	11,5 V/cm

## OPTICAL DATA

	type	colour	persistence
Screen			
	GH	green	medium short
	GY	yellowish-green	medium
	GM	yellowish-green	long
Useful screen area		$\geq 102$ mm x 82 mm; note 1	
Useful scan area		$\geq 100$ mm x 80 mm	
Internal graticule		type 93; see Fig. 4	

## HEATING

Indirect by AC or DC\*

Heater voltage	$V_f$	6,3 V
Heater current	$I_f$	0,24 A
Heating time to attain 10% of the cathode current at equilibrium conditions		approx. 5 s

\* Not to be connected in series with other tubes.



**MECHANICAL DATA**

**Dimensions and connections** (see also outline drawing)

Overall length (socket included)	≤ 333 mm
Faceplate dimensions	118 ± 0,5 mm x 98 ± 0,5 mm
Net mass	approx. 1 kg
Base	12 pin, all glass, JEDEC B12-246

**Mounting**

The tube can be mounted in any position. It must not be supported by the socket and not by the base region alone. The reference points on adjoining edges of the faceplate (see Fig. 4) enable the tube to be mounted accurately in the front panel, thus providing optimum alignment of the internal graticule.

**Accessories**

Pin protector (required for shipping)	supplied with tube
Socket with solder tags	type 55594
Socket with printed-wiring pins	type 55595
Mu-metal shield	55598

**FOCUSING**

electrostatic

**DEFLECTION**

double electrostatic

x-plates

symmetrical

y-plates

symmetrical

If use is made of the full deflection capabilities of the tube the deflection plates will block part of the electron beam, hence a low impedance deflection plate drive is desirable.

**CAPACITANCES**

x <sub>1</sub> to all other elements except x <sub>2</sub>	C <sub>x1(x2)</sub>	5,7 pF
x <sub>2</sub> to all other elements except x <sub>1</sub>	C <sub>x2(x1)</sub>	5 pF
y <sub>1</sub> to all other elements except y <sub>2</sub>	C <sub>y1(y2)</sub>	4 pF
y <sub>2</sub> to all other elements except y <sub>1</sub>	C <sub>y2(y1)</sub>	4 pF
x <sub>1</sub> to x <sub>2</sub>	C <sub>x1x2</sub>	2,3 pF
y <sub>1</sub> to y <sub>2</sub>	C <sub>y1y2</sub>	1 pF
Control grid to all other elements	C <sub>g1</sub>	6 pF
Cathode to all other elements	C <sub>k</sub>	3 pF

DIMENSIONS AND CONNECTIONS

Dimensions in mm

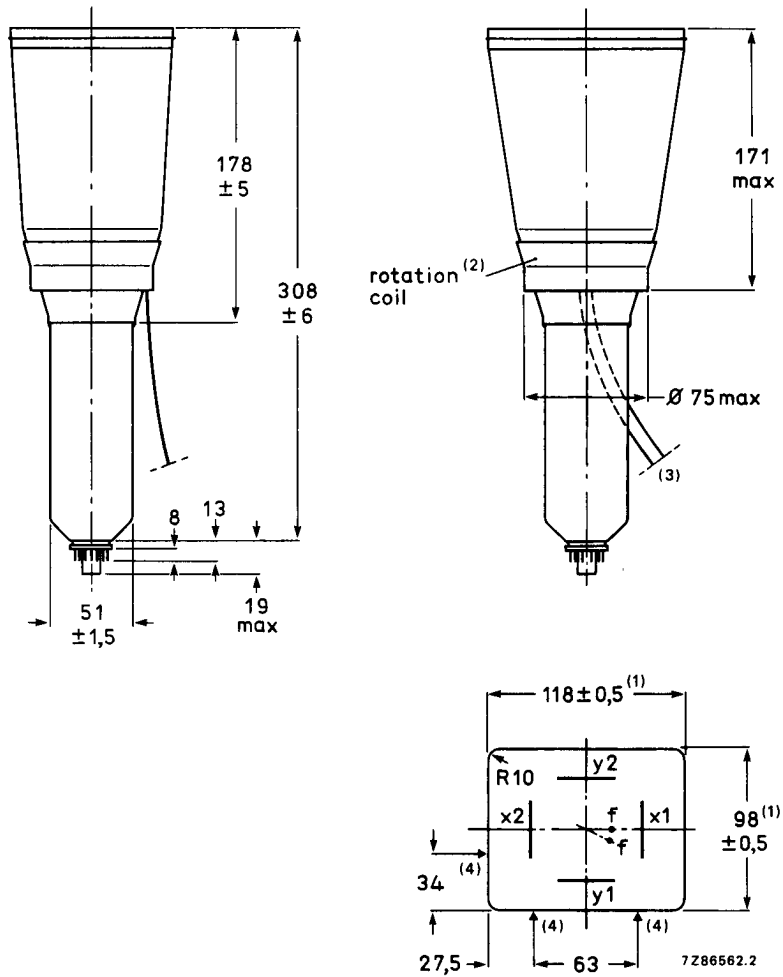


Fig. 1 Outlines.

- (1) Dimensions of faceplate only. The complete assembly of faceplate and cone (frit seal included) will pass through an opening of 122 mm x 102 mm.
- (2) The coil is fixed to the envelope with resin and adhesive tape.
- (3) The length of the connecting leads of the rotation coil is min. 350 mm.
- (4) Reference points on faceplate for graticule alignment (see Fig. 4).

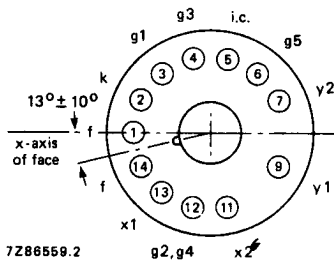


Fig. 2 Pin arrangement; bottom view.

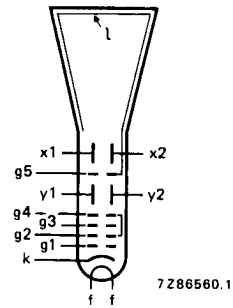


Fig. 3 Electrode configuration.

**Internal graticule**

The internal graticule is aligned with the faceplate by using the faceplate reference points, see Fig. 4. See also note 1.

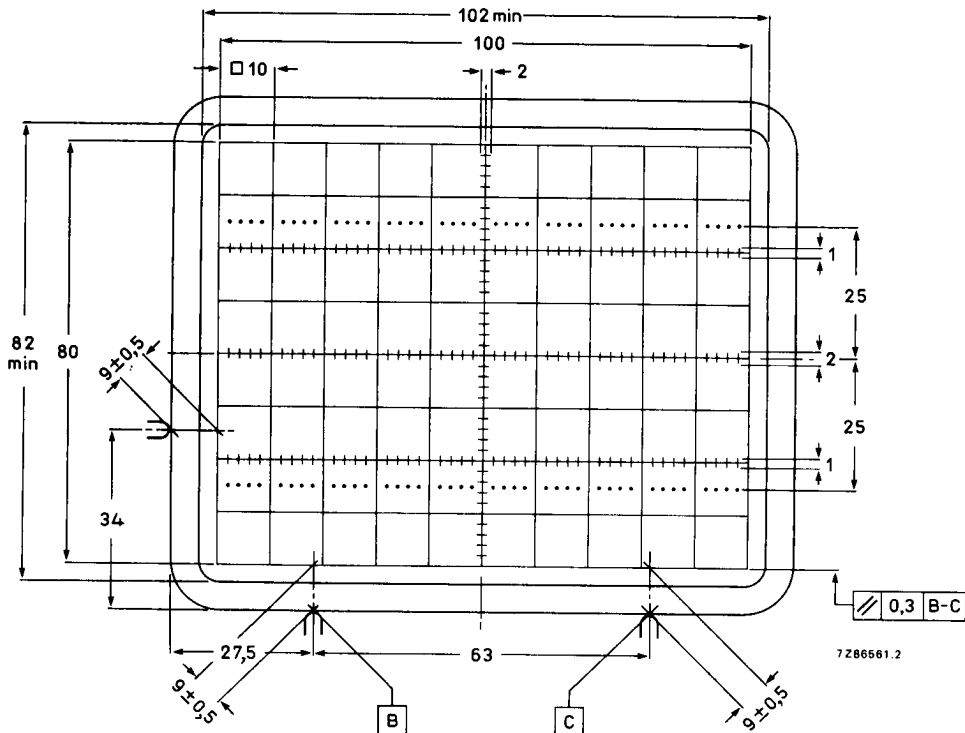


Fig. 4 Front view of tube with internal graticule, type 93.

Line thickness = 0,2 mm; dot diameter = 0,4 mm; colour: red.

**TYPICAL OPERATION** (voltages with respect to cathode)\*

**Conditions**

Mean deflection plate potential		2000 V	see note 2
Shield voltage for optimum geometry	$V_{g5,(l)}$	2000 V	see note 3
Accelerator and astigmatism control voltage	$V_{g2,g4}$	2000 V	see note 4
Focusing voltage	$V_{g3}$	220 to 370 V	see note 5
Cut-off voltage for visual extinction of focused spot	$-V_{g1}$	22 to 65 V	see note 6

**Performance**

Deflection coefficient horizontal	$M_x$	<	19 V/cm	
			21 V/cm	
vertical	$M_y$	<	11,5 V/cm	
			12 V/cm	
Deviation of deflection linearity		≤	2 %	see note 7
Geometry distortion				see note 8
Luminance reduction at the edges of the useful scan (100 mm x 80 mm), with respect to screen centre		≤	30 %	
Eccentricity of undeflected spot with respect to internal graticule horizontal		≤	4 mm	see note 9
		vertical	2 mm	
Angle between x and y-traces			90°	see note 9
Angle between x-trace and x-axis of the internal graticule		≤	5°	see note 10
Grid drive voltage for 10 μA screen current	$V_d$	≈	10 V	see note 6
Line width	l.w.	≈	0,3 mm	see note 11

**LIMITING VALUES** (Absolute maximum rating system)

Accelerator voltage	$V_{g2,g4}$	max.	2200 V
Shield voltage	$V_{g5,(l)}$	max.	2200 V
Focusing electrode voltage	$V_{g3}$	max.	2200 V
Control grid voltage	$-V_{g1}$	max.	200 V
		min.	0 V
Cathode to heater voltage	$V_{kf}$	max.	125 V
		negative	$-V_{kf}$
Heater voltage	$V_f$	max.	6,6 V
		min.	6,0 V
Grid drive voltage, averaged over 1 ms	$V_d$	max.	20 V
Screen dissipation	$W_l$	max.	3 mW/cm <sup>2</sup>
Control grid circuit resistance	$R_{g1}$	max.	1 MΩ

## NOTES

1. As the frit seal is visible through the faceplate, and not necessarily aligned with the internal graticule, application of an external passe-partout with open area of max. 102 mm x 82 mm is recommended. The internal graticule is aligned with the faceplate by using the faceplate reference points (see Fig. 4).
2. The deflection plates must be operated symmetrically; asymmetric drive introduces trace distortion. It is recommended that the tube be operated with equal mean x- and y-potentials, in order to minimize tube adjustments. Under this condition  $g_5$  can be connected to  $g_2$ ,  $g_4$ , and made equal to mean y-potential for optimum spot (see also notes 3 and 4).  
A difference between mean x- and y-potentials up to 75 V is permissible, however this may influence the specified deflection coefficients, and a separate voltage on  $g_5$  (equal to mean x-potential) may be required.
3. The tube meets the geometry specification (see note 8) if  $V_{g_5}$  is equal to mean x-potential. A range of  $\pm 50$  V around mean x-potential may be applied for further correction.
4. Optimum spot is obtained with  $V_{g_2, g_4}$  equal to mean y-potential (see note 2). In general a tolerance of  $\pm 4$  V has no visible effect;  $V_{g_2, g_4}$  tends to be lower with  $V_{g_5}$  more positive. The circuit impedance  $R_{g_2, g_4}$  should be less than 10 k $\Omega$ .
5. An actual focus range of 30 V should be provided on the front panel.  $V_{g_3}$  decreases with increasing grid drive (see also Fig. 5).
6. Intensity control on the front panel should be limited to the maximum useful screen current (approx. 50  $\mu$ A; see also Fig. 5). It is to be adjusted either by the grid drive (up to 22 V) or for maximum acceptable line width. The corresponding cathode current or  $I_{g_2, g_4}$  (up to 500  $\mu$ A) depend on the cut-off voltage and cannot be used for control settings.
7. The sensitivity at a deflection of less than 75% of the useful scan will not differ from the sensitivity at a deflection of 25% of the useful scan by more than the indicated value.
8. A graticule consisting of concentric rectangles of 100 mm x 80 mm and 98 mm x 78 mm is aligned with the internal graticule. With optimum trace rotation correction the edges of a raster will fall between these rectangles.
9. The tube features internal magnetic correction for orthogonality between x- and y-traces, spot shaping (astigmatism) and eccentricity calibration.
10. The tube has a trace rotation coil, fixed onto the lower cone part. The coil has 1000 turns and a resistance of  $185 \pm 25 \Omega$  at 20  $^{\circ}$ C, which increases by approx. 0,4%/K for rising temperature. Approx. 5 mA causes 1 $^{\circ}$  trace rotation. Thus maximum required voltage is approx. 11 V for tube tolerances ( $\pm 5^{\circ}$ ) and earth magnetic field with reasonable shielding ( $\pm 2^{\circ}$ ).
11. Measured with the shrinking raster method in the centre of the screen under typical operating conditions, adjusted for optimum spot size at a beam current  $I_{\phi} = 10 \mu$ A.

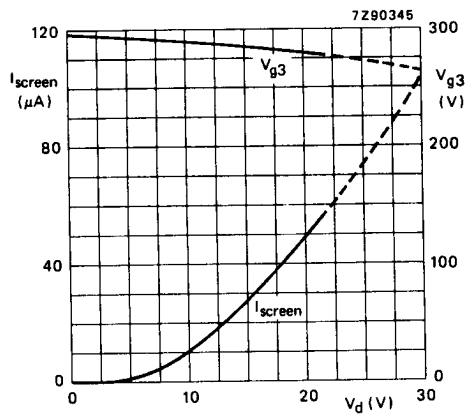


Fig. 5 Screen current ( $I_{screen}$ ) and focusing voltage ( $V_{g3}$ ) as a function of grid drive voltage ( $V_d$ ); typical curves.

## INSTRUMENT CATHODE-RAY TUBE

- mono accelerator
- 14 cm diagonal rectangular flat face
- internal magnetic lens system for vertical scan magnification, orthogonality, astigmatism and eccentricity correction
- low heater consumption
- with or without internal graticule
- flat screen edges facilitate graticule illumination
- reference points on faceplate for graticule alignment
- for inexpensive oscilloscopes and read-out devices

### QUICK REFERENCE DATA

Accelerator voltage	$V_{g2,g4}$	2000 V
Minimum useful scan area		100 mm x 80 mm
Deflection coefficient		
horizontal	$M_x$	19 V/cm
vertical	$M_y$	11,5 V/cm

The D14-363GY/123 is equivalent to the type D14-364GY/123 except for the following.

### HEATING

Indirect by AC or DC\*

Heater voltage	$V_f$	6,3 V
Heater current	$I_f$	0,1 A
Heating time to attain 10% of the cathode current at equilibrium conditions		approx. 7 s

\* Not to be connected in series with other tubes.



## INSTRUMENT CATHODE-RAY TUBE

- mono accelerator
- 14 cm diagonal rectangular flat face
- internal magnetic lens system for vertical scan magnification, orthogonality, astigmatism and eccentricity correction
- quick-heating cathode
- with or without internal graticule
- flat screen edges facilitate graticule illumination
- reference points on faceplate for graticule alignment
- for inexpensive oscilloscopes and read-out devices

### QUICK REFERENCE DATA

Accelerator voltage	$V_{g2,g4}$	2000 V
Minimum useful scan area		100 mm x 80 mm
Deflection coefficient		
horizontal	$M_x$	19 V/cm
vertical	$M_y$	11,5 V/cm

### OPTICAL DATA

Screen		
type	GY	
colour	yellowish-green	
persistence	medium	
Useful screen area	≥ 102 mm x 82 mm; note 1	
Useful scan area	≥ 100 mm x 80 mm	
Internal graticule	type 123; see Fig. 4 ←	

### HEATING

Indirect by AC or DC*		
Heater voltage	$V_f$	6,3 V
Heater current	$I_f$	0,24 A
Heating time to attain 10% of the cathode current at equilibrium conditions		approx. 5 s

\* Not to be connected in series with other tubes.

**MECHANICAL DATA****Dimensions and connections** (see also outline drawing)

Overall length (socket included)	≤ 333 mm
Faceplate dimensions	118 ± 0,5 mm x 98 ± 0,5 mm
<b>Net mass</b>	approx. 1 kg
<b>Base</b>	12 pin, all glass, JEDEC B12-246

**Mounting**

The tube can be mounted in any position. It must not be supported by the socket and not by the base region alone. The reference points on adjoining edges of the faceplate (see Fig. 4) enable the tube to be mounted accurately in the front panel, thus providing optimum alignment of the internal graticule.

**Accessories**

Pin protector (required for shipping)	supplied with tube
Socket with solder tags	type 55594
Socket with printed-wiring pins	type 55595
Mu-metal shield	55598

**FOCUSING**

electrostatic

**DEFLECTION**

double electrostatic

x-plates

symmetrical

y-plates

symmetrical

If use is made of the full deflection capabilities of the tube the deflection plates will block part of the electron beam, hence a low impedance deflection plate drive is desirable.

**CAPACITANCES**

x <sub>1</sub> to all other elements except x <sub>2</sub>	C <sub>x1(x2)</sub>	4,8 pF
x <sub>2</sub> to all other elements except x <sub>1</sub>	C <sub>x2(x1)</sub>	4 pF
y <sub>1</sub> to all other elements except y <sub>2</sub>	C <sub>y1(y2)</sub>	3,4 pF
y <sub>2</sub> to all other elements except y <sub>1</sub>	C <sub>y2(y1)</sub>	3,4 pF
x <sub>1</sub> to x <sub>2</sub>	C <sub>x1x2</sub>	3,3 pF
y <sub>1</sub> to y <sub>2</sub>	C <sub>y1y2</sub>	1 pF
Control grid to all other elements	C <sub>g1</sub>	6 pF
Cathode to all other elements	C <sub>k</sub>	3 pF

DIMENSIONS AND CONNECTIONS

Dimensions in mm

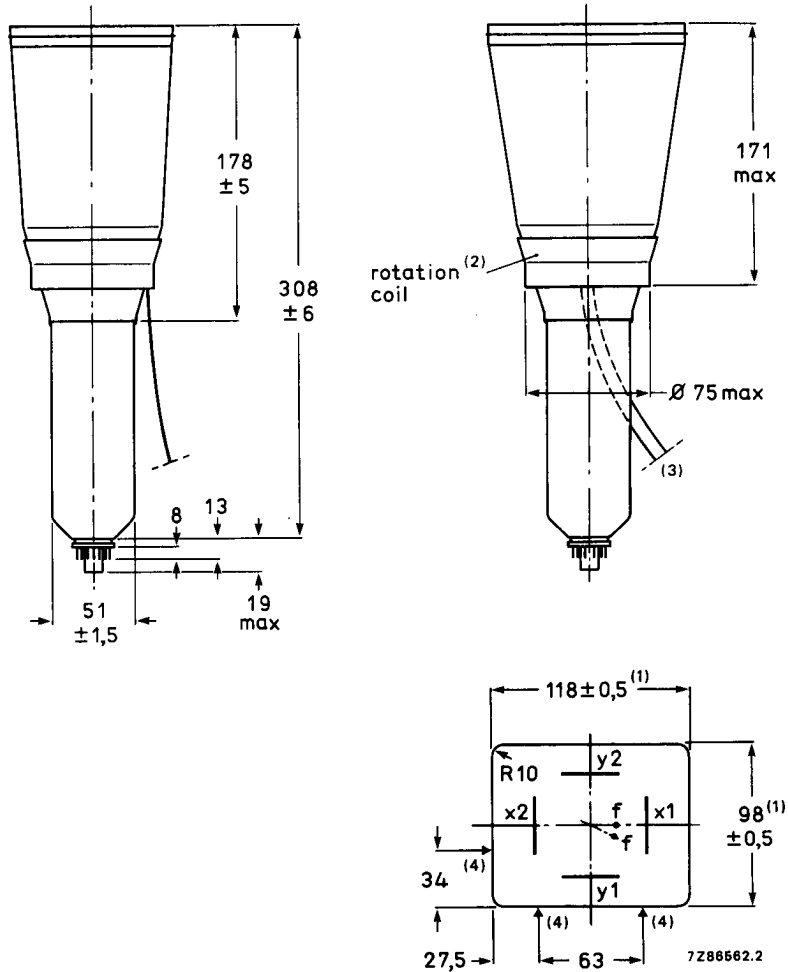


Fig. 1 Outlines.

- (1) Dimensions of faceplate only. The complete assembly of faceplate and cone (frit seal included) will pass through an opening of 122 mm x 102 mm.
- (2) The coil is fixed to the envelope with resin and adhesive tape.
- (3) The length of the connecting leads of the rotation coil is min. 350 mm.
- (4) Reference points on faceplate for graticule alignment (see Fig. 4).

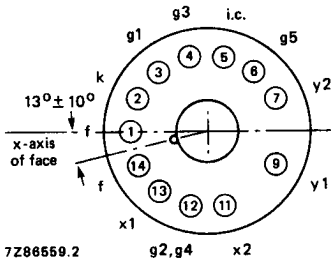


Fig. 2 Pin arrangement; bottom view.

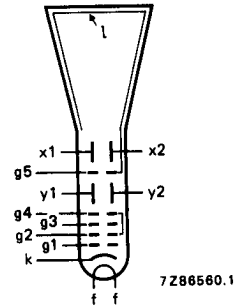


Fig. 3 Electrode configuration.

**Internal graticule**

The internal graticule is aligned with the faceplate by using the faceplate reference points, see Fig. 4. See also note 1.

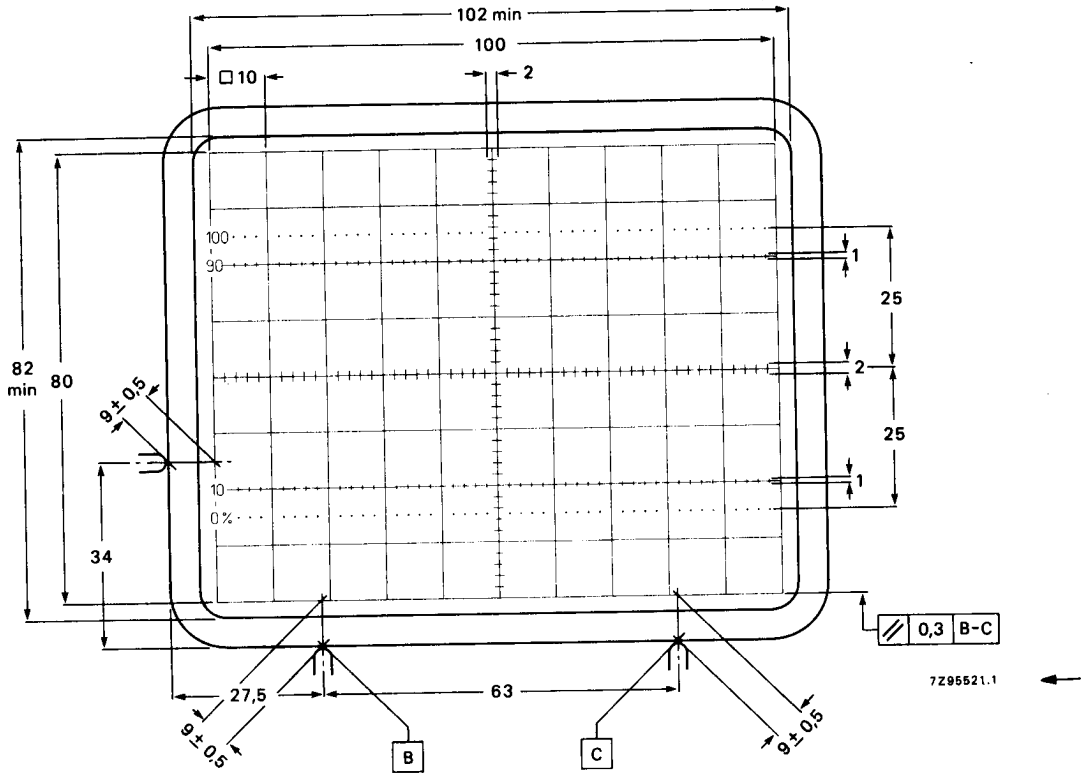


Fig. 4 Front view of tube with internal graticule, type 123.

Line thickness = 0,2 mm; dot diameter = 0,4 mm; colour: red.

**TYPICAL OPERATION** (voltages with respect to cathode)**Conditions**

Mean deflection plate potential		2000 V	note 2
Shield voltage for optimum geometry	$V_{g5,(l)}$	2000 V	note 3
Accelerator and astigmatism control voltage	$V_{g2,g4}$	2000 V	note 4
Focusing voltage	$V_{g3}$	100 to 200 V	note 5
Cut-off voltage for visual extinction of focused spot	$-V_{g1}$	22 to 65 V	note 6

**Performance**

Deflection coefficient horizontal	$M_x$	<	19 V/cm	
			21 V/cm	
vertical	$M_y$	<	11,5 V/cm	
			12 V/cm	
Deviation of deflection linearity		<	2 %	note 7
Geometry distortion			see note 8	
Luminance reduction at the edges of the useful scan (100 mm x 80 mm), with respect to screen centre		<	30 %	
Eccentricity of undeflected spot with respect to internal graticule		<	4 mm	note 9
		<	2 mm	
Angle between x and y-traces			90°	note 9
Angle between x-trace and x-axis of the internal graticule			5°	note 10
Grid drive voltage for 10 $\mu$ A screen current	$V_d$	$\approx$	10 V	note 6
Line width	l.w.	$\approx$	0,3 mm	note 11

**LIMITING VALUES** (Absolute maximum rating system)

Accelerator voltage	$V_{g2,g4}$	max.	2200 V
Shield voltage	$V_{g5,(l)}$	max.	2200 V
Focusing electrode voltage	$V_{g3}$	max.	2200 V
Control grid voltage	$-V_{g1}$	max.	200 V
		min.	0 V
Cathode to heater voltage		$V_{kf}$	max. 125 V
		$-V_{kf}$	max. 125 V
Heater voltage	$V_f$	max.	6,6 V
		min.	6,0 V
Grid drive voltage, averaged over 1 ms	$V_d$	max.	20 V
Screen dissipation	$W_l$	max.	3 mW/cm <sup>2</sup>
Control grid circuit resistance	$R_{g1}$	max.	1 M $\Omega$

## NOTES

1. As the frit seal is visible through the faceplate, and not necessarily aligned with the internal graticule, application of an external passe-partout with open area of max. 102 mm x 82 mm is recommended. The internal graticule is aligned with the faceplate by using the faceplate reference points (see Fig. 4).
2. The deflection plates must be operated symmetrically; asymmetric drive introduces trace distortion. It is recommended that the tube be operated with equal mean x- and y-potentials, in order to minimize tube adjustments. Under this condition  $g_5$  can be connected to  $g_{2,g4}$ , and made equal to mean y-potential for optimum spot (see also notes 3 and 4).  
A difference between mean x- and y-potentials up to 75 V is permissible, however this may influence the specified deflection coefficients, and a separate voltage on  $g_5$  (equal to mean x-potential) may be required.
3. The tube meets the geometry specification (see note 8) if  $V_{g5}$  is equal to mean x-potential. A range of  $\pm 30$  V around mean x-potential may be applied for further correction.
4. Optimum spot is obtained with  $V_{g_{2,g4}}$  equal to mean y-potential (see note 2). In general a tolerance of  $\pm 4$  V has no visible effect;  $V_{g_{2,g4}}$  tends to be lower with  $V_{g5}$  more positive. The circuit impedance  $R_{g_{2,g4}}$  should be less than 10 k $\Omega$ .
5. An actual focus range of 30 V should be provided on the front panel.  $V_{g3}$  decreases with increasing grid drive (see also Fig. 5).
6. Intensity control on the front panel should be limited to the maximum useful screen current (approx. 50  $\mu$ A; see also Fig. 5). It is to be adjusted either by the grid drive (up to 22 V) or for maximum acceptable line width. The corresponding cathode current or  $I_{g_{2,g4}}$  (up to 500  $\mu$ A) depend on the cut-off voltage and cannot be used for control settings.
7. The sensitivity at a deflection of less than 75% of the useful scan will not differ from the sensitivity at a deflection of 25% of the useful scan by more than the indicated value.
8. A graticule consisting of concentric rectangles of 100 mm x 80 mm and 98 mm x 78 mm is aligned with the internal graticule. With optimum trace rotation correction the edges of a raster will fall between these rectangles.
9. The tube features internal magnetic correction for orthogonality between x- and y-traces, spot shaping (astigmatism) and eccentricity calibration.
10. The tube has a trace rotation coil, fixed onto the lower cone part. The coil has 1000 turns and a resistance of  $185 \pm 25 \Omega$  at 20  $^{\circ}$ C, which increases by approx. 0,4%/K for rising temperature. Approx. 5 mA causes 1 $^{\circ}$  trace rotation. Thus maximum required voltage is approx. 11 V for tube tolerances ( $\pm 5^{\circ}$ ) and earth magnetic field with reasonable shielding ( $\pm 2^{\circ}$ ).
11. Measured with the shrinking raster method in the centre of the screen under typical operating conditions, adjusted for optimum spot size at a beam current  $I_{\beta} = 10 \mu$ A.

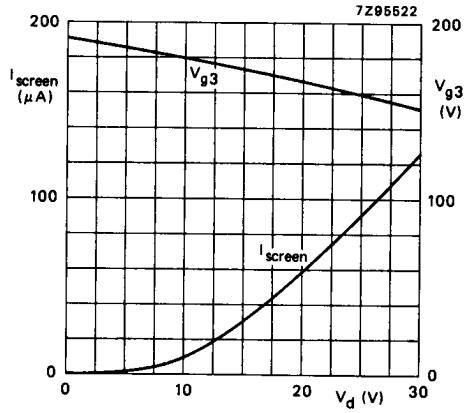


Fig. 5 Screen current ( $I_{screen}$ ) and focusing voltage ( $V_{g3}$ ) as a function of grid drive voltage ( $V_d$ ); typical curves.



## INSTRUMENT CATHODE-RAY TUBE

- 14 cm diagonal rectangular flat face
- domed mesh post-deflection acceleration
- internal magnetic lens system for correction of orthogonality, astigmatism and eccentricity
- quick-heating cathode
- internal graticule
- high sensitivity and high brightness
- short overall length
- for compact oscilloscopes with up to 75 MHz bandwidth

### QUICK REFERENCE DATA

Final accelerator voltage	$V_{g7(\ell)}$	10	16,5 kV
First accelerator voltage	$V_{g4}$	2	2,2 kV
Minimum useful scan area		100 mm x 80 mm	
Deflection coefficient			
horizontal	$M_x$	8	8,3 V/cm
vertical	$M_y$	4	4 V/cm

### OPTICAL DATA

Screen	metal-backed phosphor
type	GH
colour	green
persistence	medium short
Useful screen area	≥ 102 mm x 82 mm; note 1
Useful scan area	≥ 100 mm x 80 mm
Internal graticule	type 93; see Fig. 4

### HEATING

Indirect by AC or DC*		
Heater voltage	$V_f$	6,3 V
Heater current	$I_f$	0,24 A
Heating time to attain 10% of the cathode current at equilibrium conditions		approx. 5 s

\* Not to be connected in series with other tubes.

**MECHANICAL DATA****Dimensions and connections** (see also outline drawings)

Overall length (socket included)	≤ 338 mm
Faceplate dimensions	118 ± 0,5 mm x 98 ± 0,5 mm
Net mass	approx. 1 kg
Base	12 pin, all glass, JEDEC B12-246

**Mounting**

The tube can be mounted in any position. It must not be supported by the socket and not by the base region alone. The reference points on adjoining edges of the faceplate (see Fig. 4) enable the tube to be mounted accurately in the front panel, thus providing optimum alignment of the internal graticule.

**Accessories**

Pin protector (required for shipping)	supplied with tube
Socket with solder tags	type 55594
Socket with printed-wiring pins	type 55595
Final accelerator contact connector	type 55569/55597
Mu-metal shield	55599

**FOCUSING**

electrostatic

**DEFLECTION**

double electrostatic

x-plates

symmetrical

y-plates

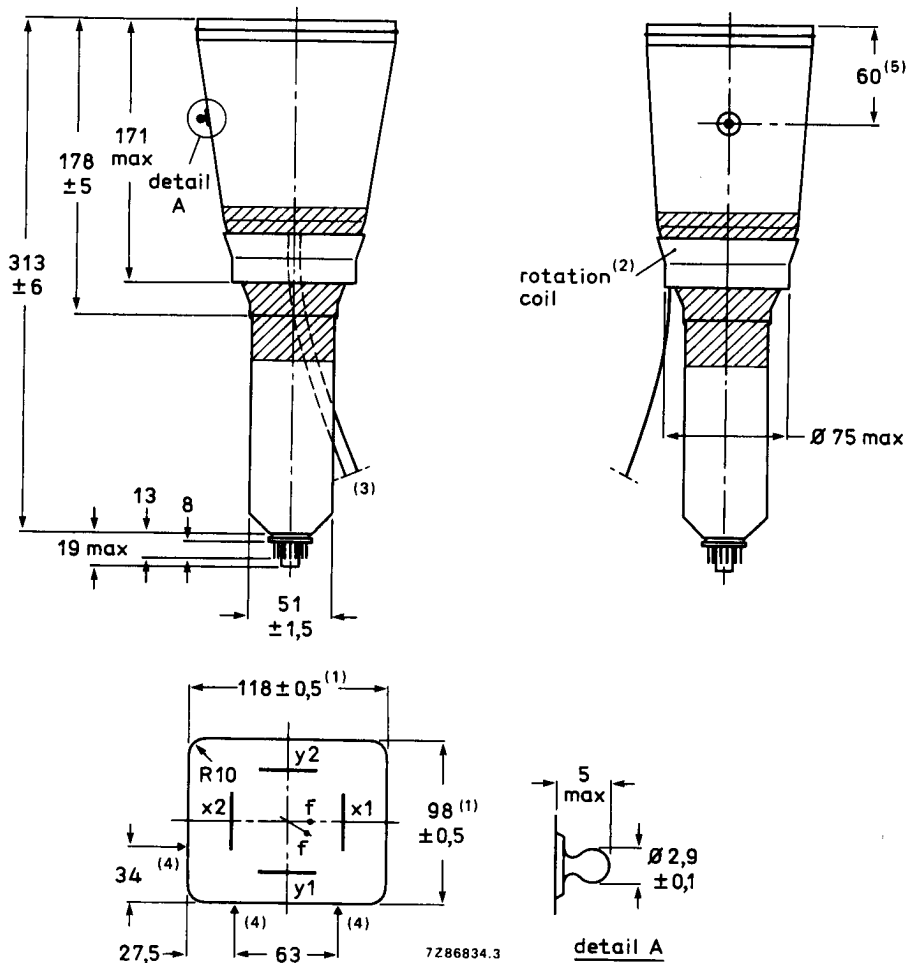
symmetrical

**CAPACITANCES**

x <sub>1</sub> to all other elements except x <sub>2</sub>	C <sub>x1(x2)</sub>	4,2 pF
x <sub>2</sub> to all other elements except x <sub>1</sub>	C <sub>x2(x1)</sub>	4,2 pF
y <sub>1</sub> to all other elements except y <sub>2</sub>	C <sub>y1(y2)</sub>	3,1 pF
y <sub>2</sub> to all other elements except y <sub>1</sub>	C <sub>y2(y1)</sub>	3,1 pF
x <sub>1</sub> to x <sub>2</sub>	C <sub>x1x2</sub>	2 pF
y <sub>1</sub> to y <sub>2</sub>	C <sub>y1y2</sub>	1,6 pF
Control grid to all other elements	C <sub>g1</sub>	6 pF
Cathode to all other elements	C <sub>k</sub>	3,2 pF
Focusing electrode to all other elements	C <sub>g3</sub>	5 pF

DIMENSIONS AND CONNECTIONS

Dimensions in mm



1. Dimensions of faceplate only. The complete assembly of faceplate and cone (frit seal included) will pass through an opening of 122 mm x 102 mm (diagonal 153 mm).
2. The coil is fixed to the envelope with resin and adhesive tape.
3. The length of the connecting leads of the rotation coil is min. 350 mm.
4. Reference points on faceplate for graticule alignment (see Fig. 4).
5. The centre of the final accelerator contact is situated within a square of 10 mm x 10 mm around the indicated position.

DIMENSIONS AND CONNECTIONS (continued)

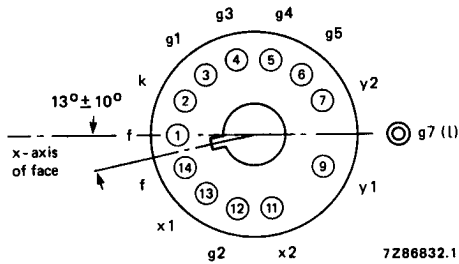


Fig. 2 Pin arrangement; bottom view.

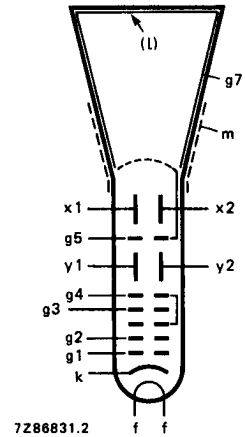


Fig. 3 Electrode configuration.

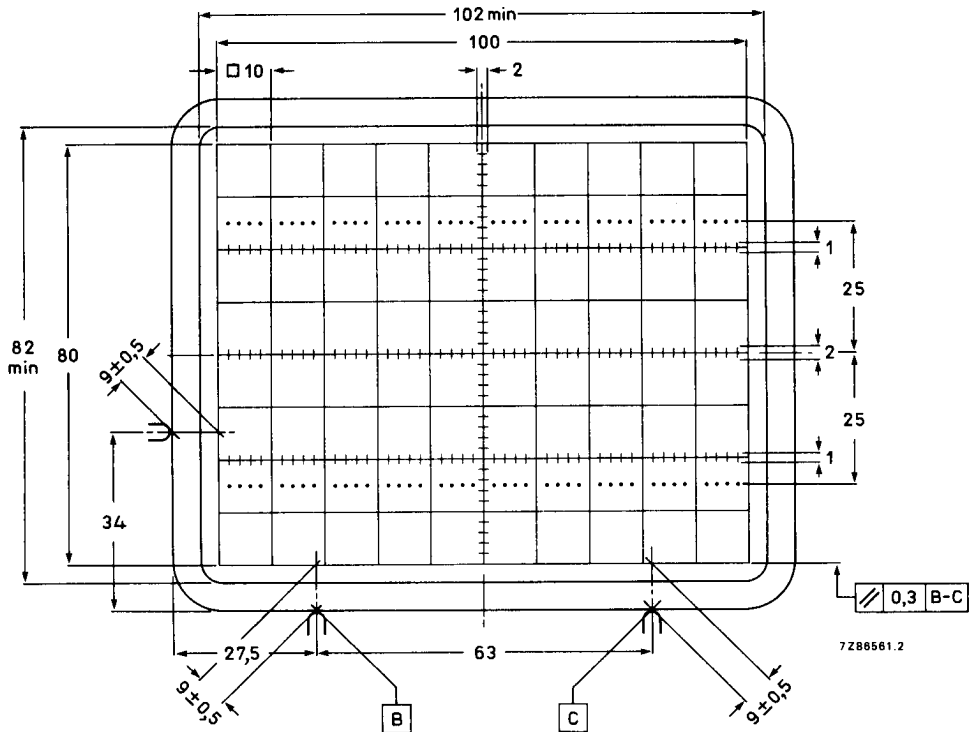


Fig. 4 Front view of tube with internal graticule, type 93. The faceplate reference points are used for aligning the graticule with the faceplate.

Line thickness = 0,2 mm; dot diameter = 0,4 mm; colour: red.

**TYPICAL OPERATION** (voltages with respect to cathode)**Conditions**

Final accelerator voltage	$V_{g7(\ell)}$	10	16,5 kV
Mean deflection plate potential		2	2,2 kV note 2
Shield voltage for optimum geometry	$V_{g5}$	2	2,2 kV note 3
First accelerator and astigmatism control voltage	$V_{g4}$	2	2,2 kV note 3
Focusing voltage	$V_{g3}$	400 to 800	V
Grid 2 voltage	$V_{g2}$	2	2,2 kV
Cut-off voltage for visual extinction of focused spot	$-V_{g1}$	45 to 90	50 to 100 V

Outer conductive coating (m) and mu-metal shield to be earthed.

**Performance**

Horizontal deflection coefficient	$M_x$	8	8,3 V/cm $\pm$ 10%
Vertical deflection coefficient	$M_y$	4,0	4,0 V/cm $\pm$ 5%
Deviation of deflection linearity		$\leq 2\%$	note 4
Geometry distortion			note 5
Eccentricity of undeflected spot			
in horizontal direction		$\leq 4$ mm	
in vertical direction		$\leq 2$ mm	
Angle between x- and y-traces		$90^\circ$	note 2
Angle between x-trace and x-axis of internal graticule		$\leq 5^\circ$	note 6
Luminance reduction with respect to screen centre			
x-axis, outer graticule line		$\leq 30\%$	
y-axis, outer graticule line		$\leq 30\%$	
any corner		$\leq 50\%$	
Grid drive for 10 $\mu$ A screen current	$V_d$	approx.	20 V
Line width	l.w.	approx.	0,35 mm note 7

**LIMITING VALUES** (Absolute maximum rating system)

Final accelerator voltage	$V_{g7(\ell)}$	max.	18 kV note 8
Shield voltage	$V_{g5}$	max.	3,3 kV
First accelerator and astigmatism control voltage	$V_{g4}$	max.	3,3 kV
Focusing electrode voltage	$V_{g3}$	max.	2,5 kV
Grid 2 voltage	$V_{g2}$	max.	2,5 kV
Control grid voltage	$-V_{g1}$	max. min.	200 V 0 V
Cathode to heater voltage			
positive	$V_{kf}$	max.	125 V
negative	$-V_{kf}$	max.	125 V
Heater voltage	$V_f$	max. min.	6,6 V 6,0 V
Voltage between g2 and g4	$\Delta V_{g2,g4}$	max.	2 kV
Voltage between g4,g5 and any deflection plate	$\Delta V_{g4,g5,x,y}$	max.	500 V
Grid drive, averaged over 1 ms	$V_d$	max.	25 V
Screen dissipation	$W_\ell$	max.	8 mW/cm <sup>2</sup>
Control grid circuit resistance	$R_{g1}$	max.	1 M $\Omega$

## NOTES

1. As the frit seal is visible through the faceplate, and not necessarily aligned with the internal graticule, application of an external passe-partout with open area of max. 102 mm x 82 mm is recommended. The internal graticule is aligned with the faceplate by using the faceplate reference points (see Fig. 4).
2. The deflection plates must be operated symmetrically; floating mean x- or y-potentials will result into non-uniform line width and geometry distortion. The mean x- and y-potentials should be equal; under this condition the tube will be within the specification without corrections for astigmatism and geometry.  
The tube features internal magnetic correction for orthogonality between x- and y-traces, spot shaping (astigmatism) and eccentricity calibration.
3. For some applications a mean x-potential up to 50 V positive with respect to mean y-potential is inevitable. In this case  $V_{g5}$  must be made equal to mean x-potential, and a range of 0 to -25 V with respect to mean y-potential will be required on  $g4$  for astigmatism correction. The circuit resistance for  $V_{g4}$  should be  $\leq 10 \text{ k}\Omega$ .
4. The sensitivity at a deflection of less than 75% of the useful scan will not differ from the sensitivity at a deflection of 25% of the useful scan by more than the indicated value.
5. A graticule consisting of concentric rectangles of 100 mm x 80 mm and 98 mm x 78 mm is aligned with the internal graticule. With optimum trace rotation correction the edges of a raster will fall between these rectangles.
6. The tube has a trace rotation coil, fixed onto the lower cone part. The coil has 1000 turns and a typical resistance of  $185 \pm 25 \Omega$  at  $0^\circ\text{C}$ , which increases by approx. 0,4%/K for rising temperature. Approx. 6,5 mA causes  $1^\circ$  trace rotation. Thus maximum required voltage is approx. 13 V for tube tolerances ( $\pm 5^\circ$ ) and earth magnetic field with reasonable shielding ( $\pm 2^\circ$ ).
7. Measured with the shrinking raster method in the centre of the screen under typical operating conditions, adjusted for optimum spot size at a beam current  $I_b = 10 \mu\text{A}$ .
8. The X-ray dose rate remains below the acceptable value of 36 pA/kg (0,5 mR/h), when the tube is used within its limiting values (beam current  $I_b \leq 100 \mu\text{A}$ ).



## INSTRUMENT CATHODE-RAY TUBE

- 14 cm diagonal rectangular flat face
- domed mesh post-deflection acceleration
- internal magnetic lens system for correction of orthogonality, astigmatism and eccentricity
- low heater consumption
- internal graticule
- high sensitivity and high brightness
- short overall length
- for compact oscilloscopes with up to 100 MHz bandwidth

### QUICK REFERENCE DATA

Final accelerator voltage	$V_{g7(l)}$	10	16,5 kV
First accelerator voltage	$V_{g4}$	2	2,2 kV
Minimum useful scan area		100 mm x 80 mm	
Deflection coefficient			
horizontal	$M_x$	8	8,3 V/cm
vertical	$M_y$	4	4 V/cm

The D14-371GH/123 is equivalent to the type D14-372GH/123 except for the following.

### HEATING

Indirect by AC or DC \*

Heater voltage	$V_f$	6,3 V
Heater current	$I_f$	0,1 A
Heating time to attain 10% of the cathode current at equilibrium conditions		approx. 7 s

\* Not to be connected in series with other tubes.

# DEVELOPMENT DATA

This data sheet contains advance information and specifications are subject to change without notice.

D14-372GH/123

## INSTRUMENT CATHODE-RAY TUBE

- 14 cm diagonal rectangular flat face
- domed mesh post-deflection acceleration
- internal magnetic lens system for correction of orthogonality, astigmatism and eccentricity
- quick-heating cathode
- internal graticule
- high sensitivity and high brightness
- short overall length
- for compact oscilloscopes with up to 100 MHz bandwidth

### QUICK REFERENCE DATA

Final accelerator voltage	$V_{g7(l)}$	10	16,5 kV
First accelerator voltage	$V_{g4}$	2	2,2 kV
Minimum useful scan area		100 mm x 80 mm	
Deflection coefficient			
horizontal	$M_x$	8	8,3 V/cm
vertical	$M_y$	4	4 V/cm

### OPTICAL DATA

Screen	metal-backed phosphor
type	GH
colour	green
persistence	medium short
Useful screen area	≥ 102 mm x 82 mm; note 1
Useful scan area	≥ 100 mm x 80 mm
Internal graticule	type 123; see Fig. 4

### HEATING

Indirect by AC or DC\*

Heater voltage	$V_f$	6,3 V
Heater current	$I_f$	0,24 A
Heating time to attain 10% of the cathode current at equilibrium conditions		approx. 5 s

\* Not to be connected in series with other tubes.

**MECHANICAL DATA****Dimensions and connections** (see also outline drawings)

Overall length (socket included)	$\leq 338$ mm
Faceplate dimensions	$118 \pm 0,5$ mm x $98 \pm 0,5$ mm
<b>Net mass</b>	approx. 1 kg
<b>Base</b>	12 pin, all glass, JEDEC B12-246

**Mounting**

The tube can be mounted in any position. It must not be supported by the socket and not by the base region alone. The reference points on adjoining edges of the faceplate (see Fig. 4) enable the tube to be mounted accurately in the front panel, thus providing optimum alignment of the internal graticule.

**Accessories**

Pin protector (required for shipping)	supplied with tube
Socket with solder tags	type 55594
Socket with printed-wiring pins	type 55595
Final accelerator contact connector	type 55569/55597
Mu-metal shield	55599

**FOCUSING**

electrostatic

**DEFLECTION**

double electrostatic

x-plates

symmetrical

y-plates

symmetrical

**CAPACITANCES**

x <sub>1</sub> to all other elements except x <sub>2</sub>	C <sub>x1(x2)</sub>	4,8 pF
x <sub>2</sub> to all other elements except x <sub>1</sub>	C <sub>x2(x1)</sub>	3,6 pF
y <sub>1</sub> to all other elements except y <sub>2</sub>	C <sub>y1(y2)</sub>	3,0 pF
y <sub>2</sub> to all other elements except y <sub>1</sub>	C <sub>y2(y1)</sub>	3,0 pF
x <sub>1</sub> to x <sub>2</sub>	C <sub>x1x2</sub>	3,3 pF
y <sub>1</sub> to y <sub>2</sub>	C <sub>y1y2</sub>	1,4 pF
Control grid to all other elements	C <sub>g1</sub>	6,5 pF
Cathode to all other elements	C <sub>k</sub>	3,2 pF
Focusing electrode to all other elements	C <sub>g3</sub>	8 pF
Final accelerator electrode to all other elements	C <sub>g7</sub>	480 pF

DEVELOPMENT DATA

## DIMENSIONS AND CONNECTIONS

Dimensions in mm

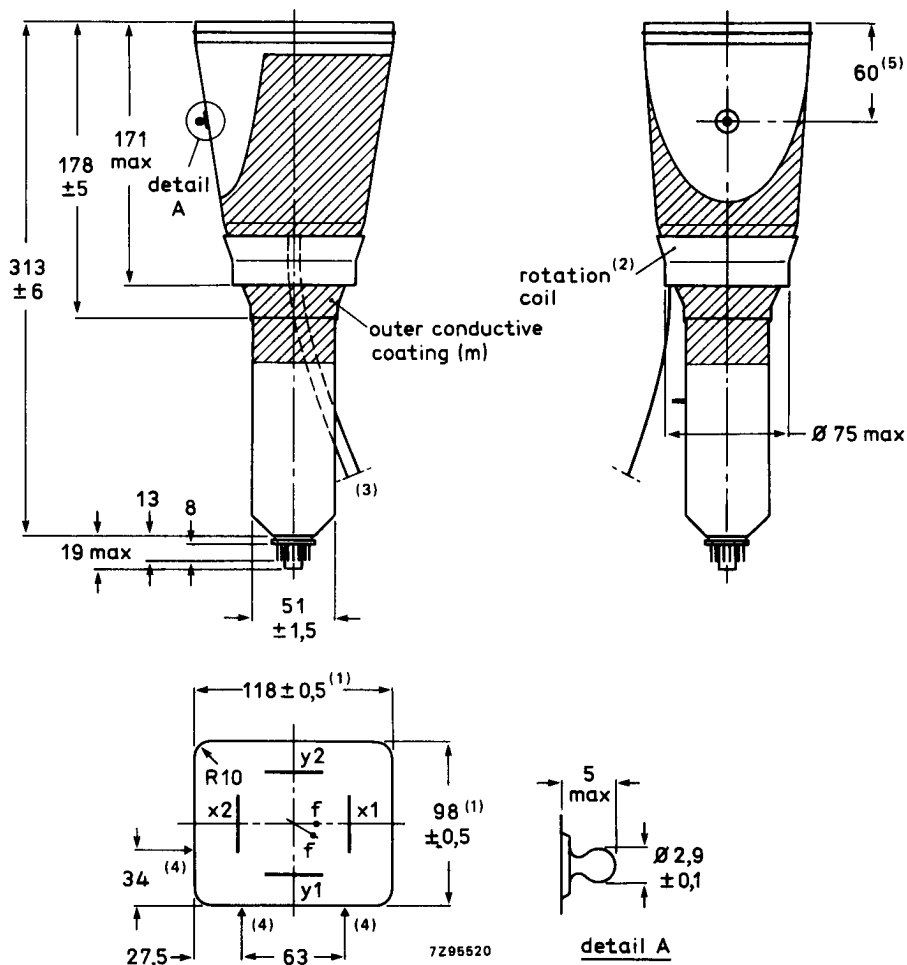


Fig. 1.

1. Dimensions of faceplate only. The complete assembly of faceplate and cone (frit seal included) will pass through an opening of 122 mm x 102 mm (diagonal 153 mm).
2. The coil is fixed to the envelope with resin and adhesive tape.
3. The length of the connecting leads of the rotation coil is min. 350 mm.
4. Reference points on faceplate for graticule alignment (see Fig. 4).
5. The centre of the final accelerator contact is situated within a square of 10 mm x 10 mm around the indicated position.

DIMENSIONS AND CONNECTIONS (continued)

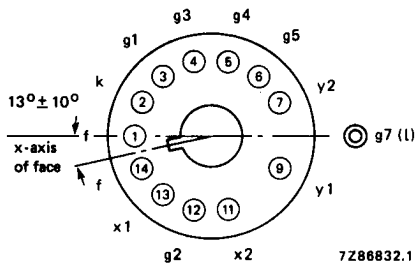


Fig. 2 Pin arrangement; bottom view.

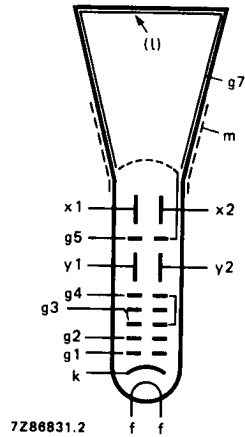


Fig. 3 Electrode configuration.

DEVELOPMENT DATA

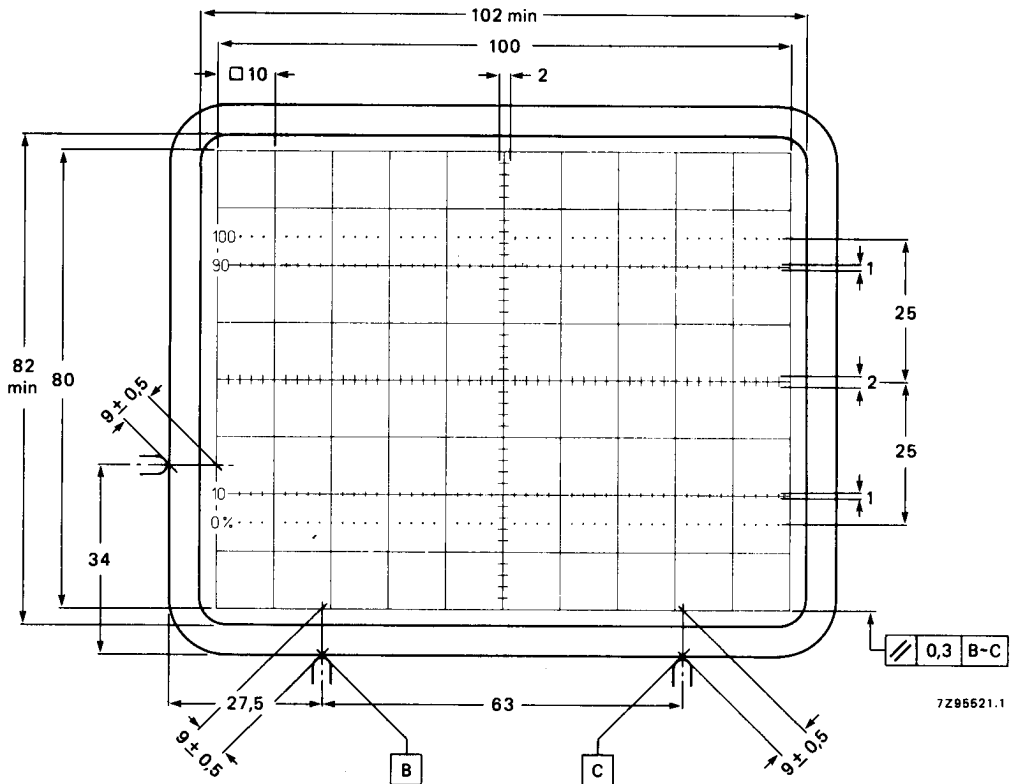


Fig. 4 Front view of tube with internal graticule, type 123. The faceplate reference points are used for aligning the graticule with the faceplate.

Line thickness = 0,2 mm; dot diameter = 0,4 mm; colour: red.

**TYPICAL OPERATION** (voltages with respect to cathode)\***Conditions**

Final accelerator voltage	$V_{g7(l)}$	10	16,5 kV
Mean deflection plate potential		2	2,2 kV note 2
Shield voltage for optimum geometry	$V_{g5}$	2	2,2 kV note 3
First accelerator and astigmatism control voltage	$V_{g4}$	2	2,2 kV note 3
Focusing voltage	$V_{g3}$	0,19 x $V_{g4}$ to 0,26 x $V_{g4}$	
Grid 2 voltage	$V_{g2}$	2	2,2 kV
Cut-off voltage for visual extinction of focused spot	$-V_{g1}$	45 to 90	50 to 100 V

Outer conductive coating (m) and mu-metal shield to be earthed.

**Performance**

Horizontal deflection coefficient	$M_x$	8	8,3 V/cm $\pm$ 10%
Vertical deflection coefficient	$M_y$	4,0	4,0 V/cm $\pm$ 5%
Deviation of deflection linearity		$\leq$ 2%	note 4
Geometry distortion			note 5
Eccentricity of undeflected spot			
in horizontal direction		$\leq$ 4 mm	
in vertical direction		$\leq$ 2 mm	
Angle between x- and y-traces		90°	note 2
Angle between x-trace and x-axis of internal graticule		$\leq$ 5°	note 6
Luminance reduction with respect to screen centre			
x-axis, outer graticule line		$\leq$ 30%	
y-axis, outer graticule line		$\leq$ 30%	
any corner		$\leq$ 50%	
Grid drive for 10 $\mu$ A screen current	$V_d$	approx.	20 V
Line width	l.w.	approx.	0,33 mm note 7

\* Notes are on last page but one.

**LIMITING VALUES** (Absolute maximum rating system)

Final accelerator voltage	$V_{g7(l)}$	max. 18 kV	Fig. 6
Shield voltage	$V_{g5}$	max. 3,3 kV	
First accelerator and astigmatism control voltage	$V_{g4}$	max. 3,3 kV	
Focusing electrode voltage	$V_{g3}$	max. 2,5 kV	
Grid 2 voltage	$V_{g2}$	max. 2,5 kV	
Control grid voltage	$-V_{g1}$	max. 200 V min. 0 V	
Cathode to heater voltage			
positive	$V_{kf}$	max. 125 V	
negative	$-V_{kf}$	max. 125 V	
Heater voltage	$V_f$	max. 6,6 V min. 6,0 V	
Voltage between g2 and g4	$\Delta V_{g2,g4}$	max. 2 kV	
Voltage between g4,g5 and any deflection plate	$\Delta V_{g4,g5,x,y}$	max. 500 V	
Grid drive, averaged over 1 ms	$V_d$	max. 25 V	
Screen dissipation	$W_\ell$	max. 8 mW/cm <sup>2</sup>	
Control grid circuit resistance	$R_{g1}$	max. 1 M $\Omega$	

DEVELOPMENT DATA



## NOTES

1. As the frit seal is visible through the faceplate, and not necessarily aligned with the internal graticule, application of an external passe-partout with open area of max. 102 mm x 82 mm is recommended. The internal graticule is aligned with the faceplate by using the faceplate reference points (see Fig. 4).
2. The deflection plates must be operated symmetrically; floating mean x- or y-potentials will result into non-uniform line width and geometry distortion. The mean x- and y-potentials should be equal; under this condition the tube will be within the specification without corrections for astigmatism and geometry. A range of  $\Delta V_{g5} = -50$  to  $+50$  V may be applied for pincushion/barrel correction. The tube features internal magnetic correction for orthogonality between x- and y-traces, spot shaping (astigmatism) and eccentricity calibration.
3. For some applications a mean x-potential up to 50 V positive with respect to mean y-potential is inevitable. In this case  $V_{g5}$  must be made equal to mean x-potential, and a range of 0 to  $-25$  V with respect to mean y-potential will be required on  $g4$  for astigmatism correction. The circuit resistance for  $V_{g4}$  should be  $\leq 10$  k $\Omega$ .
4. The sensitivity at a deflection of less than 75% of the useful scan will not differ from the sensitivity at a deflection of 25% of the useful scan by more than the indicated value.
5. A graticule consisting of concentric rectangles of 100 mm x 80 mm and 98 mm x 78 mm is aligned with the internal graticule. With optimum trace rotation correction the edges of a raster will fall between these rectangles.
6. The tube has a trace rotation coil, fixed onto the lower cone part. The coil has 1000 turns and a typical resistance of  $185 \pm 25 \Omega$  at 20 °C, which increases by approx. 0,4%/K for rising temperature. At typical operation ( $V_{g5} = 2200$  V,  $V_{g7} = 16,5$  kV) approx. 6,5 mA causes 1° trace rotation. Thus maximum required voltage is approx. 13 V for tube tolerances ( $\pm 5^\circ$ ) and earth magnetic field with reasonable shielding ( $\pm 2^\circ$ ).  
The required current for 1° trace rotation is related to approx.  $\sqrt{V_{g5}}$ .
7. Measured with the shrinking raster method in the centre of the screen under typical operating conditions, adjusted for optimum spot size at a beam current  $I_b = 10 \mu\text{A}$ .

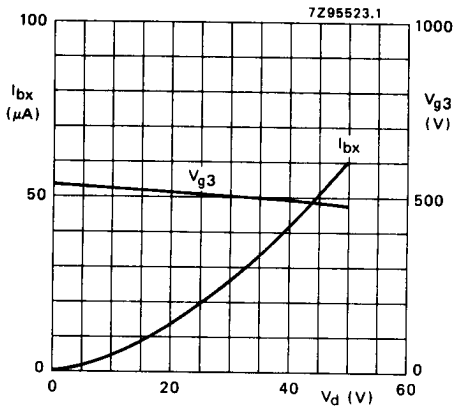


Fig. 5 Beam current ( $I_{bx}$ ) and focusing voltage ( $V_{g3}$ ) as a function of grid drive voltage ( $V_d$ ) at  $V_{g7} = 16,5$  kV,  $V_{g5} = 2,2$  kV; typical curves.

$I_{bx}$  is the beam current, without scan, measured on x2, when the deflection plate potentials have been adjusted to  $V_{y1} = V_{y2} = 2200$  V,  $V_{x1} = 1500$  V,  $V_{x2} = 1900$  V, thus directing the total beam current to x2.

DEVELOPMENT DATA

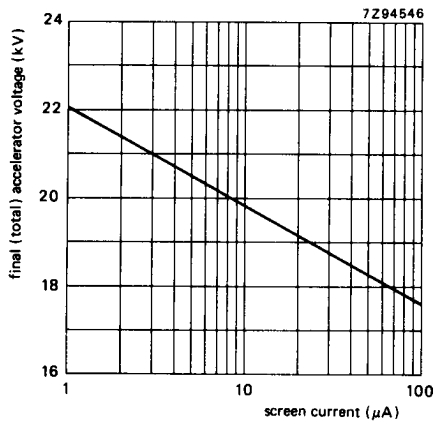


Fig. 6 0,5 mR/h isoexposure-rate limit curve, measured according to TEPAC104.

## INSTRUMENT CATHODE-RAY TUBE

- 14 cm diagonal rectangular flat face
- domed mesh post-deflection acceleration
- internal magnetic lens system for correction of orthogonality, astigmatism and eccentricity
- quick-heating cathode
- side contacts to deflection plates
- internal graticule
- high sensitivity and high brightness
- short overall length
- for compact oscilloscopes with up to 150 MHz bandwidth

### QUICK REFERENCE DATA

Final accelerator voltage	$V_{g7(\ell)}$	16,5 kV
First accelerator voltage	$V_{g4}$	2,2 kV
Minimum useful scan area		100 mm x 80 mm
Deflection coefficient		
horizontal	$M_x$	8,3 V/cm
vertical	$M_y$	4 V/cm (max. 4,2 V/cm)
Photographic writing speed	p.w.s.	2,0 cm/ns

### OPTICAL DATA

Screen	metal-backed phosphor
type	GH
colour	green
persistence	medium short
Useful screen area	≥ 102 mm x 82 mm; note 1
Useful scan area	≥ 100 mm x 80 mm
Internal graticule	type 93; see Fig. 5

### HEATING

Indirect by AC or DC\*

Heater voltage	$V_f$	6,3 V
Heater current	$I_f$	0,24 A
Heating time to attain 10% of the cathode current at equilibrium conditions		approx. 5 s

\* Not to be connected in series with other tubes.

**MECHANICAL DATA****Dimensions and connections** (see also outline drawings)

Overall length (socket included)	≤ 338 mm
Faceplate dimensions	118 ± 0,5 mm x 98 ± 0,5 mm
<b>Net mass</b>	approx. 1 kg
<b>Base</b>	12 pin, all glass, JEDEC B12-246

**Mounting**

The tube can be mounted in any position. It must not be supported by the socket and not by the base region alone. The reference points on adjoining edges of the faceplate (see Fig. 5) enable the tube to be mounted accurately in the front panel, thus providing optimum alignment of the internal graticule.

**Accessories**

Pin protector (required for shipping)	supplied with tube
Socket with solder tags	type 55594
Socket with printed-wiring pins	type 55595
Side contact connector for $\phi$ 0,6 mm pin (4 required)	type 55596 (AMP87313)
Final accelerator contact connector	type 55569/55597
Mu-metal shield	55599

**FOCUSING**

electrostatic

**DEFLECTION**

x-plates

double electrostatic

y-plates

symmetrical

symmetrical

## CAPACITANCES

x <sub>2</sub> to all other elements except x <sub>1</sub>	C <sub>x1(x2)</sub>	2,4 pF
y <sub>1</sub> to all other elements except y <sub>2</sub>	C <sub>x2(x1)</sub>	2,4 pF
x <sub>1</sub> to x <sub>2</sub>	C <sub>y1(y2)</sub>	1,9 pF
y <sub>2</sub> to all other elements except y <sub>1</sub>	C <sub>y2(y1)</sub>	1,9 pF
y <sub>1</sub> to y <sub>2</sub>	C <sub>x1x2</sub>	1,8 pF
Control grid to all other elements	C <sub>y1y2</sub>	1,5 pF
Cathode to all other elements	C <sub>g1</sub>	6 pF
Focusing electrode to all other elements	C <sub>k</sub>	3,2 pF
	C <sub>g3</sub>	5 pF

DIMENSIONS AND CONNECTIONS

Dimensions in mm

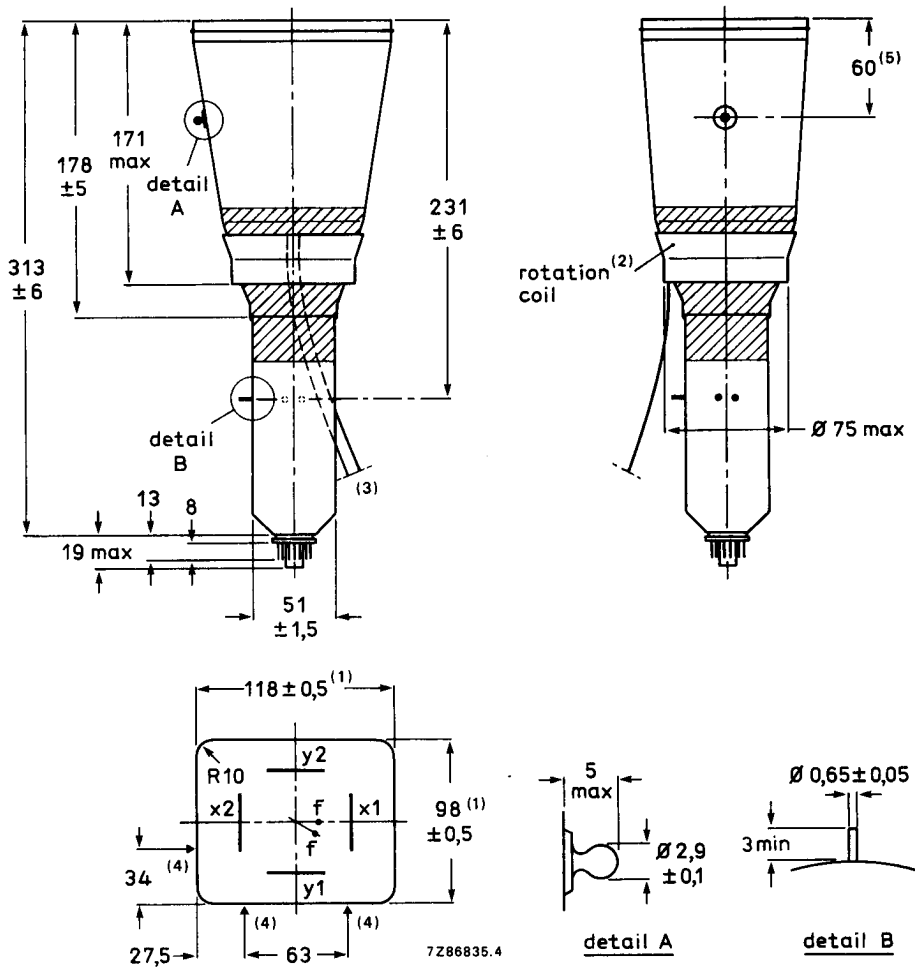


Fig. 1 Outlines.

1. Dimensions of faceplate only. The complete assembly of faceplate and cone (frit seal included) will pass through an opening of 122 x 102 mm (diagonal 153 mm).
2. The coil is fixed to the envelope with resin and adhesive tape.
3. The length of the connecting leads of the rotation coil is min. 350 mm.
4. Reference points on faceplate for graticule alignment (see Fig. 5).
5. The centre of the final accelerator contact is situated within a square of 10 mm x 10 mm around the indicated position.

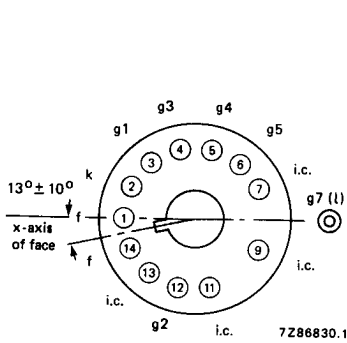


Fig. 2 Pin arrangement; bottom view.

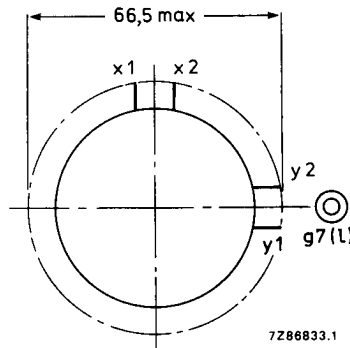


Fig. 3 Side-contact arrangement bottom view.

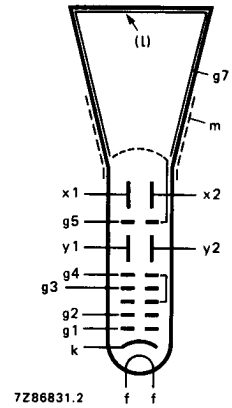


Fig. 4 Electrode configuration.

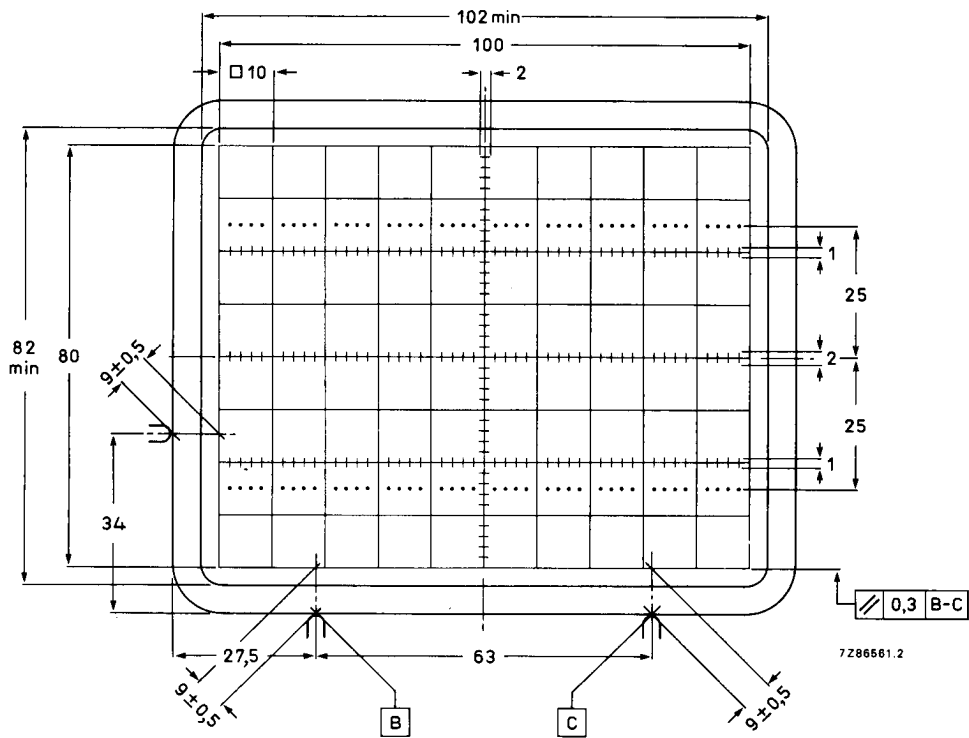


Fig. 5 Front view of tube with internal graticule, type 93. The faceplate reference points are used for aligning the graticule with the faceplate.

Line thickness = 0,2 mm; dot diameter = 0,4 mm; colour: red.

**TYPICAL OPERATION** (voltages with respect to cathode)**Conditions**

Final accelerator voltage	$V_{g7(\ell)}$	16,5 kV	
Mean deflection plate potential		2,2 kV	note 2
Shield voltage for optimum geometry	$V_{g5}$	2,2 kV	note 3
First accelerator and astigmatism control voltage	$V_{g4}$	2,2 kV	note 3
Focusing voltage	$V_{g3}$	400 to 800 V	
Grid 2 voltage	$V_{g2}$	2,2 kV	
Cut-off voltage for visual extinction of focused spot	$-V_{g1}$	50 to 100 V	

Outer conductive coating (m) and mu-metal shield to be earthed.

**Performance**

Horizontal deflection coefficient	$M_x$	8,3 V/cm $\pm$ 10%	
Vertical deflection coefficient	$M_y$	4,0 V/cm $\pm$ 5%	
Deviation of deflection linearity		$\leq$ 2 %	note 4
Geometry distortion			note 5
Eccentricity of undeflected spot in horizontal direction		$\leq$ 4 mm	
in vertical direction		$\leq$ 2 mm	
Angle between x- and y-traces		90°	note 2
Angle between x-trace and x-axis of internal graticule		$\leq$ 5°	note 6
Luminance reduction with respect to screen centre x-axis, outer graticule line		$\leq$ 30 %	
y-axis, outer graticule line		$\leq$ 30 %	
any corner		$\leq$ 50 %	
Grid drive for 10 $\mu$ A screen current	$V_d$	approx. 20 V	
Line width	l.w.	approx. 0,35 mm	note 7
Photographic writing speed ( $V_d = 50$ V; Polaroid 612 film; GH phosphor; F = 1,2; magnification 0,5)	p.w.s.	2,0 cm/ns	



**LIMITING VALUES** (Absolute maximum rating system)

Final accelerator voltage	$V_{g7(l)}$	max.	18 kV	note 8
Shield voltage	$V_{g5}$	max.	3,3 kV	
First accelerator and astigmatism control voltage	$V_{g4}$	max.	3,3 kV	
Focusing electrode voltage	$V_{g3}$	max.	2,5 kV	
Grid 2 voltage	$V_{g2}$	max.	2,5 kV	
Control grid voltage	$-V_{g1}$	max.	200 V	
		min.	0 V	
Cathode to heater voltage				
positive	$V_{kf}$	max.	125 V	
negative	$-V_{kf}$	max.	125 V	
Heater voltage	$V_f$	max.	6,6 V	
		min.	6,0 V	
Voltage between g2 and g4	$\Delta V_{g2,g4}$	max.	2 kV	
Voltage between g4,g5 and any deflection plate	$\Delta V_{g4,g5,x,y}$	max.	500 V	
Grid drive, averaged over 1 ms	$V_d$	max.	25 V	
Screen dissipation	$W_{\rho}$	max.	8 mW/cm <sup>2</sup>	
Control grid circuit resistance	$R_{g1}$	max.	1 M $\Omega$	

## NOTES

1. As the frit seal is visible through the faceplate, and not necessarily aligned with the internal graticule, application of an external passe-partout with open area of max. 102 mm x 82 mm is recommended. The internal graticule is aligned with the faceplate by using the faceplate reference points (see Fig. 5).
2. The deflection plates must be operated symmetrically; floating mean x- or y-potentials will result into non-uniform line width and geometry distortion. The mean x- and y-potentials should be equal; under this condition the tube will be within the specification without corrections for astigmatism and geometry.  
The tube features internal magnetic correction for orthogonality between x- and y-traces, spot shaping (astigmatism) and eccentricity calibration.
3. For some applications a mean x-potential up to 50 V positive with respect to mean y-potential is inevitable. In this case  $V_{g5}$  must be made equal to mean x-potential, and a range of 0 to -25 V with respect to mean y-potential will be required on  $g4$  for astigmatism correction. The circuit resistance for  $V_{g4}$  should be  $\leq 10 \text{ k}\Omega$ .
4. The sensitivity at a deflection of less than 75% of the useful scan will not differ from the sensitivity at a deflection of 25% of the useful scan by more than the indicated value.
5. A graticule consisting of concentric rectangles of 100 mm x 80 mm and 98 mm x 78 mm is aligned with the internal graticule. With optimum trace rotation correction the edges of a raster will fall between these rectangles.
6. The tube has a trace rotation coil, fixed onto the lower cone part. The coil has 1000 turns and a typical resistance of  $185 \pm 25 \Omega$  at 20 °C, which increases by approx. 0,4%/K for rising temperature. Approx. 6,5 mA causes 1° trace rotation. Thus maximum required voltage is approx. 13 V for tube tolerances ( $\pm 5^\circ$ ) and earth magnetic field with reasonable shielding ( $\pm 2^\circ$ ).
7. Measured with the shrinking raster method in the centre of the screen under typical operating conditions, adjusted for optimum spot size at a beam current  $I_{\rho} = 10 \mu\text{A}$ .
8. The X-ray dose rate remains below the acceptable value of 36 pA/kg (0,5 mR/h), when the tube is used within its limiting values (beam current  $I_{\rho} \leq 100 \mu\text{A}$ ).

## INSTRUMENT CATHODE-RAY TUBE

- 14 cm diagonal rectangular flat face
- domed mesh post-deflection acceleration
- internal magnetic lens system for correction of orthogonality, astigmatism and eccentricity
- low heater consumption
- side contacts to deflection plates
- internal graticule
- high sensitivity and high brightness
- short overall length
- for compact oscilloscopes with up to 150 MHz bandwidth

### QUICK REFERENCE DATA

Final accelerator voltage	$V_{g7(\ell)}$	16,5 kV
First accelerator voltage	$V_{g4}$	2,2 kV
Minimum useful scan area		100 mm x 80 mm
Deflection coefficient		
horizontal	$M_x$	8,3 V/cm
vertical	$M_y$	4 V/cm (max. 4,2 V/cm)
Photographic writing speed	p.w.s.	2,0 cm/ns

The D14-381GH/123 is equivalent to the type D14-382GH/123 except for the following.

### HEATING

Indirect by a.c. or d.c.\*

Heater voltage	$V_f$	6,3 V
Heater current	$I_f$	0,1 A
Heating time to attain 10% of the cathode current at equilibrium conditions	approx.	7 s

\* Not to be connected in series with other tubes.

## INSTRUMENT CATHODE-RAY TUBE

- 14 cm diagonal rectangular flat face
- domed mesh post-deflection acceleration
- internal magnetic lens system for correction of orthogonality, astigmatism and eccentricity
- quick-heating cathode
- side contacts to deflection plates
- internal graticule
- high sensitivity and high brightness
- short overall length
- for compact oscilloscopes with up to 150 MHz bandwidth

### QUICK REFERENCE DATA

Final accelerator voltage	$V_{g7(\ell)}$	16,5 kV
First accelerator voltage	$V_{g4}$	2,2 kV
Minimum useful scan area		100 mm x 80 mm
Deflection coefficient		
horizontal	$M_x$	8,3 V/cm
vertical	$M_y$	4 V/cm (max. 4,2 V/cm)
Photographic writing speed	p.w.s.	2,0 cm/ns

### OPTICAL DATA

Screen	metal-backed phosphor
type	GH
colour	green
persistence	medium short
Useful screen area	$\geq 102$ mm x 82 mm; note 1 (last page but one)
Useful scan area	$\geq 100$ mm x 80 mm
Internal graticule	type 123; see Fig. 5

### HEATING

Indirect by a.c. or d.c.*		
Heater voltage	$V_f$	6,3 V
Heater current	$I_f$	0,24 A
Heating time to attain 10% of the cathode current at equilibrium conditions	approx.	5 s

\* Not to be connected in series with other tubes.

**MECHANICAL DATA****Dimensions and connections** (see also outline drawings)

Overall length (socket included)  $\leq 338$  mm  
 Faceplate dimensions  $118 \pm 0,5$  mm x  $98 \pm 0,5$  mm

**Net mass** approx. 1 kg

**Base** 12 pin, all glass, JEDEC B12-246

**Mounting**

The tube can be mounted in any position. It must not be supported by the socket and not by the base region alone. The reference points on adjoining edges of the faceplate (see Fig. 5) enable the tube to be mounted accurately in the front panel, thus providing optimum alignment of the internal graticule.

**Accessories**

Pin protector (required for shipping) supplied with tube  
 Socket with solder tags type 55594  
 Socket with printed-wiring pins type 55595  
 Side contact connector for  $\phi$  0,65 mm pin (4 required) type 55596 (AMP87313)  
 Final accelerator contact connector type 55569/55597  
 Mu-metal shield 55599

**FOCUSING** electrostatic

**DEFLECTION** double electrostatic

x-plates symmetrical

y-plates symmetrical

**CAPACITANCES**

$x_1$ to all other elements except $x_2$	$C_{x1(x2)}$	2,2 pF
$x_2$ to all other elements except $x_1$	$C_{x2(x1)}$	2,3 pF
$y_1$ to all other elements except $y_2$	$C_{y1(y2)}$	1,7 pF
$y_2$ to all other elements except $y_1$	$C_{y2(y1)}$	1,8 pF
$x_1$ to $x_2$	$C_{x1x2}$	3 pF
$y_1$ to $y_2$	$C_{y1y2}$	1,3 pF
Control grid to all other elements	$C_{g1}$	6,5 pF
Cathode to all other elements	$C_k$	3,2 pF
Focusing electrode to all other elements	$C_{g3}$	8 pF
Final accelerator electrode to all other elements	$C_{g7}$	480 pF

DIMENSIONS AND CONNECTIONS

Dimensions in mm

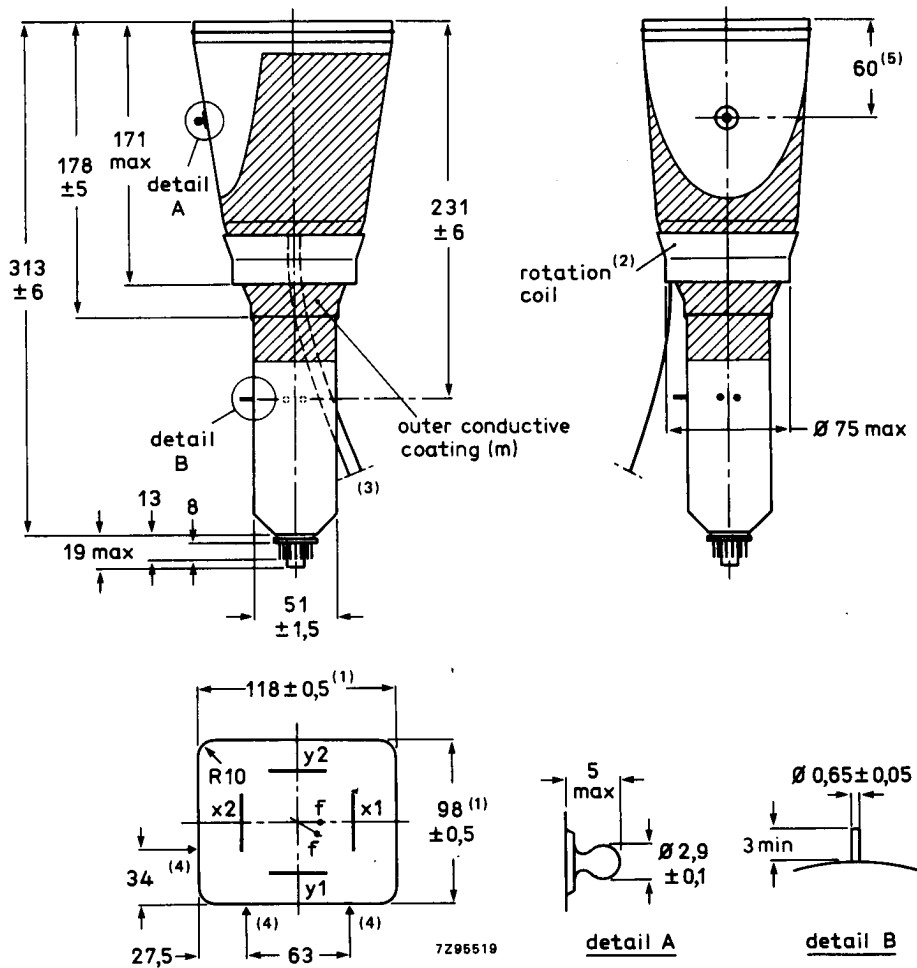


Fig. 1 Outlines.

1. Dimensions of faceplate only. The complete assembly of faceplate and cone (frit seal included) will pass through an opening of  $122 \times 102 \text{ mm}$  (diagonal  $153 \text{ mm}$ ).
2. The coil is fixed to the envelope with resin and adhesive tape.
3. The length of the connecting leads of the rotation coil is min.  $350 \text{ mm}$ .
4. Reference points on faceplate for graticule alignment (see Fig. 5).
5. The centre of the final accelerator contact is situated within a square of  $10 \text{ mm} \times 10 \text{ mm}$  around the indicated position.

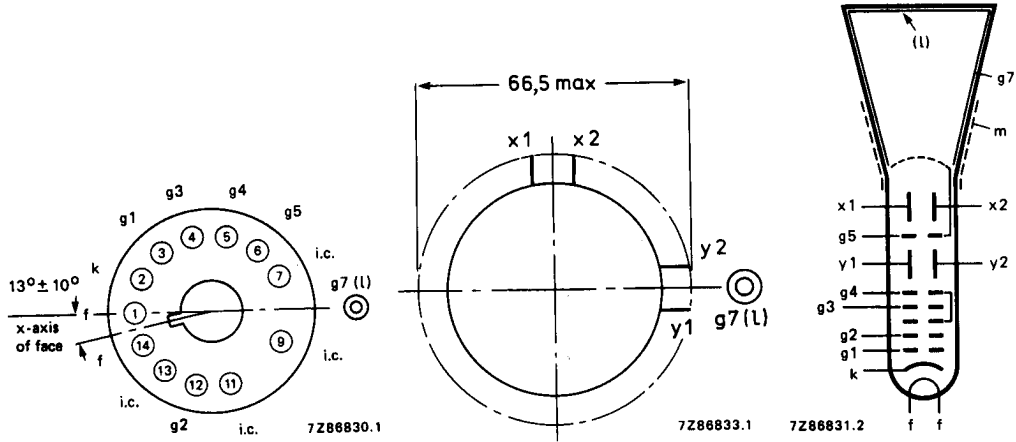


Fig. 2 Pin arrangement; bottom view.

Fig. 3 Side-contact arrangement bottom view.

Fig. 4 Electrode configuration.

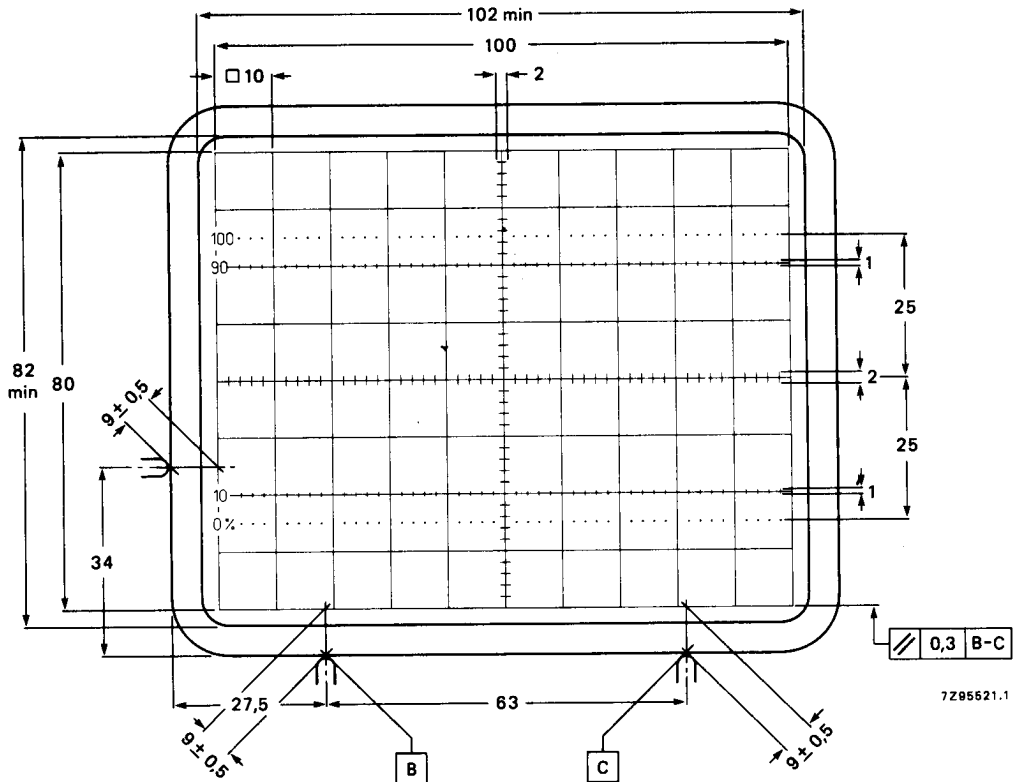


Fig. 5 Front view of tube with internal graticule, type 123. The faceplate reference points are used for aligning the graticule with the faceplate.

Line thickness = 0,2 mm; dot diameter = 0,4 mm; colour: red.



**TYPICAL OPERATION** (voltages with respect to cathode)\***Conditions**

Final accelerator voltage	$V_{g7(\ell)}$	16,5 kV
Mean deflection plate potential		2,2 kV note 2
Shield voltage for optimum geometry	$V_{g5}$	2,2 kV note 3
First accelerator and astigmatism control voltage	$V_{g4}$	2,2 kV note 3
Focusing voltage	$V_{g3}$	$0,19 \times V_{g4}$ to $0,26 \times V_{g4}$
Grid 2 voltage	$V_{g2}$	2,2 kV
Cut-off voltage for visual extinction of focused spot	$-V_{g1}$	50 to 100 V

Outer conductive coating (m) and mu-metal shield to be earthed.

**Performance**

Horizontal deflection coefficient	$M_x$	8,3 V/cm $\pm$ 10%
Vertical deflection coefficient	$M_y$	4,0 V/cm $\pm$ 5%
Deviation of deflection linearity		$\leq$ 2 % note 4
Geometry distortion		note 5
Eccentricity of undeflected spot		
in horizontal direction		$\leq$ 4 mm
in vertical direction		$\leq$ 2 mm
Angle between x- and y-traces		90° note 2
Angle between x-trace and x-axis of internal graticule		$\leq$ 5° note 6
Luminance reduction with respect to screen centre		
x-axis, outer graticule line		$\leq$ 30 %
y-axis, outer graticule line		$\leq$ 30 %
any corner		$\leq$ 50 %
Grid drive for 10 $\mu$ A screen current	$V_d$	approx. 20 V
Line width	l.w.	approx. 0,33 mm note 7
Photographic writing speed ( $V_d = 50$ V; Polaroid 612 film; GH phosphor; F = 1,2; magnification 0,5)	p.w.s.	2,0 cm/ns

\* Notes are on last page but one.

**LIMITING VALUES** (Absolute maximum rating system)

Final accelerator voltage	$V_{g7(\ell)}$	max. 18 kV	Fig. 7
Shield voltage	$V_{g5}$	max. 3,3 kV	
First accelerator and astigmatism control voltage	$V_{g4}$	max. 3,3 kV	
Focusing electrode voltage	$V_{g3}$	max. 2,5 kV	
Grid 2 voltage	$V_{g2}$	max. 2,5 kV	
Control grid voltage	$-V_{g1}$	max. 200 V min. 0 V	
Cathode to heater voltage			
positive	$V_{kf}$	max. 125 V	
negative	$-V_{kf}$	max. 125 V	
Heater voltage	$V_f$	max. 6,6 V min. 6,0 V	
Voltage between g2 and g4	$\Delta V_{g2,g4}$	max. 2 kV	
Voltage between g4,g5 and any deflection plate	$\Delta V_{g4,g5,x,y}$	max. 500 V	
Grid drive, averaged over 1 ms	$V_d$	max. 25 V	
Screen dissipation	$W_\ell$	max. 8 mW/cm <sup>2</sup>	
Control grid circuit resistance	$R_{g1}$	max. 1 M $\Omega$	

## NOTES

1. As the frit seal is visible through the faceplate, and not necessarily aligned with the internal graticule, application of an external passe-partout with open area of max. 102 mm x 82 mm is recommended. The internal graticule is aligned with the faceplate by using the faceplate reference points (see Fig. 5).
2. The deflection plates must be operated symmetrically; floating mean x- or y-potentials will result into non-uniform line width and geometry distortion. The mean x- and y-potentials should be equal; under this condition the tube will be within the specification without corrections for astigmatism and geometry. A range of  $\Delta V_{g5} = -50$  to  $+50$  V may be applied for pincushion/barrel correction. The tube features internal magnetic correction for orthogonality between x- and y-traces, spot shaping (astigmatism) and eccentricity calibration.
3. For some applications a mean x-potential up to 50 V positive with respect to mean y-potential is inevitable. In this case  $V_{g5}$  must be made equal to mean x-potential, and a range of 0 to  $-25$  V with respect to mean y-potential will be required on  $g4$  for astigmatism correction. The circuit resistance for  $V_{g4}$  should be  $\leq 10$  k $\Omega$ .
4. The sensitivity at a deflection of less than 75% of the useful scan will not differ from the sensitivity at a deflection of 25% of the useful scan by more than the indicated value.
5. A graticule consisting of concentric rectangles of 100 mm x 80 mm and 98 mm x 78 mm is aligned with the internal graticule. With optimum trace rotation correction the edges of a raster will fall between these rectangles.
6. The tube has a trace rotation coil, fixed onto the lower cone part. The coil has 1000 turns and a typical resistance of  $185 \pm 25 \Omega$  at 20 °C, which increases by approx. 0,4%/K for rising temperature. At typical operation ( $V_{g5} = 2200$  V,  $V_{g7} = 16,5$  kV) approx. 6,5 mA causes 1° trace rotation. Thus maximum required voltage is approx. 13 V for tube tolerances ( $\pm 5^\circ$ ) and earth magnetic field with reasonable shielding ( $\pm 2^\circ$ ).  
The required current for 1° trace rotation is related to approx.  $\sqrt{V_{g5}}$ .
7. Measured with the shrinking raster method in the centre of the screen under typical operating conditions, adjusted for optimum spot size at a beam current  $I_\ell = 10 \mu\text{A}$ .

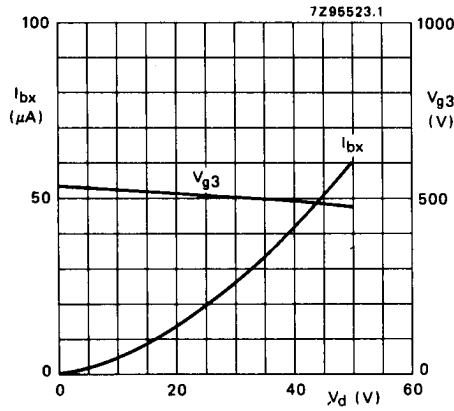


Fig. 6 Beam current ( $I_{bx}$ ) and focusing voltage ( $V_{g3}$ ) as a function of grid drive voltage ( $V_d$ ); typical curves.

$I_{bx}$  is the beam current, without scan, measured on x2, when the deflection plate potentials have been adjusted to  $V_{y1} = V_{y2} = 2200$  V,  $V_{x1} = 1500$  V,  $V_{x2} = 1900$  V, thus directing the total beam current to x2.

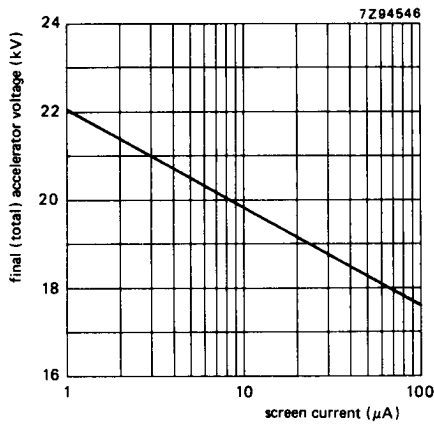


Fig. 7 0,5 mR/h isoexposure-rate limit curve, measured according to TEPAC104.

## INSTRUMENT CATHODE-RAY TUBE

- 14 cm diagonal rectangular flat face
- domed mesh post-deflection acceleration
- symmetrical helix system for vertical deflection
- internal magnetic lens system for correction of orthogonality, astigmatism and eccentricity
- quick-heating cathode
- side contacts to deflection plates
- internal graticule
- high sensitivity and high brightness
- for oscilloscopes with up to 500 MHz bandwidth

### QUICK REFERENCE DATA

Final accelerator voltage	$V_{g7(l)}$	24 kV
First accelerator voltage	$V_{g2}$	3 kV
Minimum useful scan area		100 mm x 80 mm
Deflection coefficient		
horizontal	$M_x$	7,3 V/cm (max. 8,0 V/cm)
vertical	$M_y$	2,9 V/cm (max. 3,0 V/cm)
Photographic writing speed	p.w.s. min.	3 cm/ns

### OPTICAL DATA

Screen	metal-backed phosphor
type	GH
colour	green
persistence	medium short
Useful screen area	$\geq 102$ mm x 82 mm; note 1 (last page)
Useful scan area	$\geq 100$ mm x 80 mm
Internal graticule	type 123; see Fig. 5

### HEATING

Indirect by a.c. or d.c.\*

Heater voltage	$V_f$	6,3 V
Heater current	$I_f$	0,24 A
Heating time to attain 10% of the cathode current at equilibrium conditions	approx.	5 s

\* Not to be connected in series with other tubes.

**MECHANICAL DATA****Dimensions and connections** (see also outline drawings)

Overall length (socket included)

≤ 419 mm

Faceplate dimensions

118 ± 1,0 mm x 98 ± 1,0 mm

**Net mass**

approx. 1,2 kg

**Base**

12 pin, all glass, JEDEC B12-246

**Mounting**

The tube can be mounted in any position. It must not be supported by the socket and not by the base region alone. The reference points on adjoining edges of the faceplate (see Fig. 5) enable the tube to be mounted accurately in the front panel, thus providing optimum alignment of the internal graticule.

**Accessories**

Pin protector (required for shipping)

supplied with tube

Side pin protection band

3322 027 10200

Socket with solder tags

type 55594

Socket with printed-wiring pins

type 55595

Side contact connector for  $\phi$  0,65 mm pin (2 required)

type 55596 (cat. no. 9390 299 90002)

Side contact connector for  $\phi$  0,45 mm pin (4 required)

to be established

Final accelerator contact connector

connection to final accelerator electrode is made via an EHT cable attached to the tube

Mu-metal shield

to be established

**FOCUSING**

electrostatic

**DEFLECTION**

double electrostatic

x-plates

symmetrical

y-plates

symmetrical (helix system)

Characteristic impedance of helix system

 $(2 \times 165 \Omega) \pm 3\%$ 

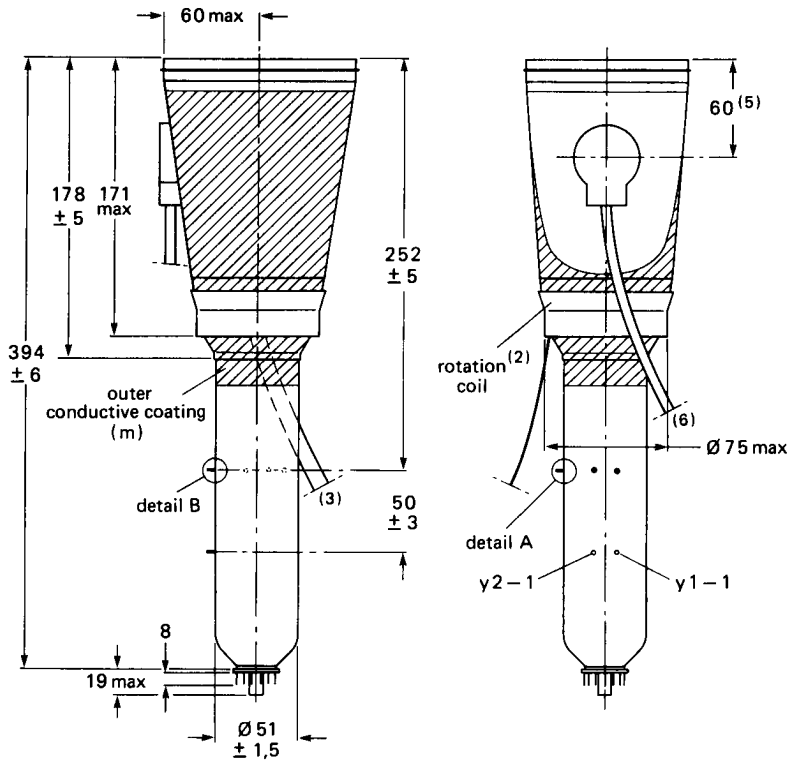
Bandwidth of helix system (−3 dB)

approx. 1000 MHz

**CAPACITANCES**

$x_1$ to all other elements except $x_2$	$C_{x1(x2)}$	3,2 pF
$x_2$ to all other elements except $x_1$	$C_{x2(x1)}$	3,2 pF
$x_1$ to $x_2$	$C_{x1x2}$	3,0 pF
$x_1$ to $y_1$	$C_{x1y1}$	< 0,2 pF
$x_2$ to $y_1$	$C_{x2y1}$	< 0,2 pF
$x_1$ to $y_2$	$C_{x1y2}$	< 0,2 pF
$x_2$ to $y_2$	$C_{x2y2}$	< 0,2 pF
Control grid to all other elements	$C_{g1}$	6,2 pF
Cathode to all other elements	$C_k$	3,8 pF
Focusing electrode to all other elements	$C_{g3}$	7,6 pF

**DIMENSIONS AND CONNECTIONS**



Dimensions in mm

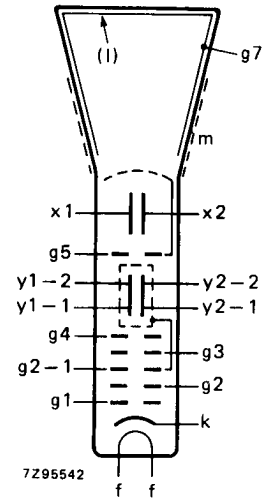


Fig. 2 Electrode configuration.

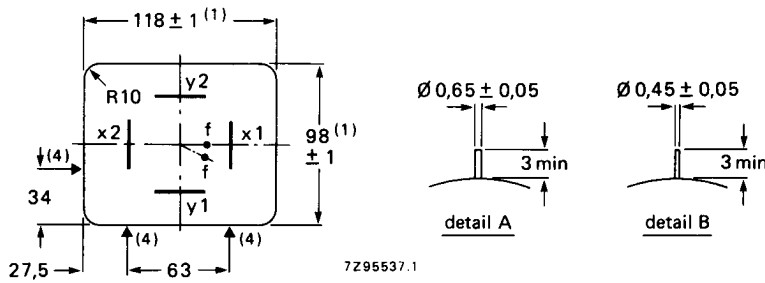


Fig. 1 Outlines.

- (1) Dimensions of faceplate only. The complete assembly of faceplate and cone (frit seal included) will pass through an opening of 122 x 102 mm (diagonal 153 mm).
- (2) The coil is fixed to the envelope with resin and adhesive tape.
- (3) The length of the connecting leads of the rotation coil is min. 350 mm.
- (4) Reference points on faceplate for graticule alignment (see Fig. 5).
- (5) The centre of the final accelerator contact is situated within a square of 10 mm x 10 mm around the indicated position.
- (6) The length of the E.H.T. cable is min. 900 mm.



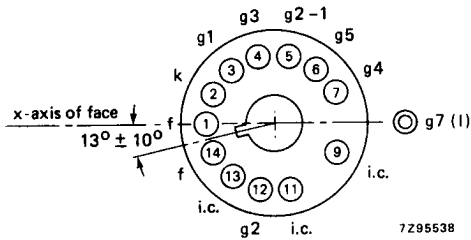


Fig. 3 Pin arrangement; bottom view.

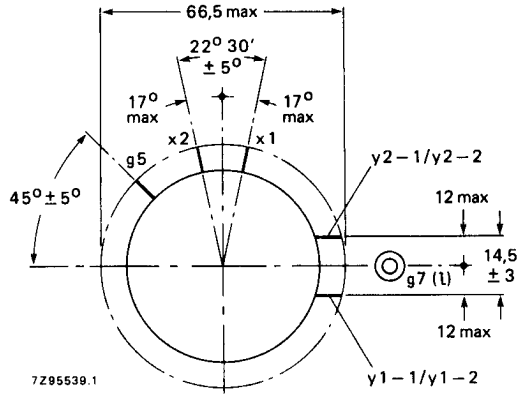


Fig. 4 Side-contact arrangement, bottom view.

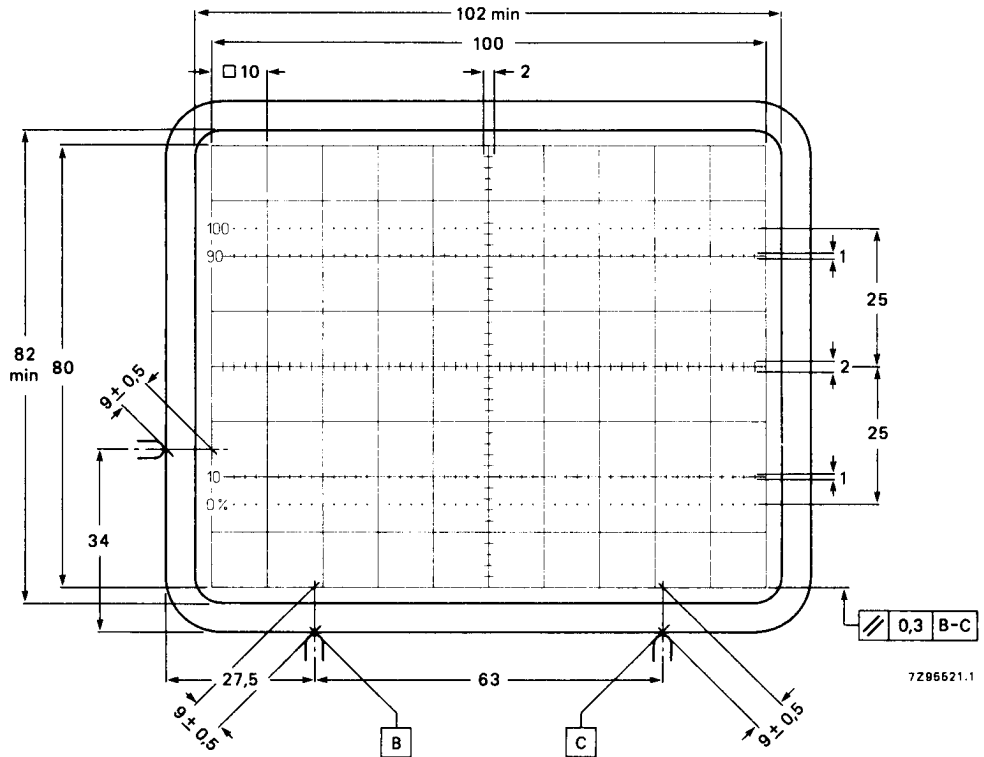


Fig. 5 Front view of tube with internal graticule, type 123 (final accelerator contact at left-hand side). The faceplate reference points are used for aligning the graticule with the faceplate.

Line thickness = 0,2 mm; dot diameter = 0,4 mm; colour: red.

**TYPICAL OPERATION** (voltages with respect to cathode)\***Conditions**

Final accelerator voltage	$V_{g7(l)}$	24 kV	
First accelerator voltage	$V_{g2}$	3 kV	
Second accelerator voltage	$V_{g2-1}$	3 kV	
Focusing voltage	$V_{g3}$	700 to 1100 V	Fig. 6
Astigmatism control voltage	$V_{g4}$	3 kV	note 2
Shield voltage for optimum geometry	$V_{g5}$	3 kV	note 3
Deviation of mean $\gamma$ -plate potential from $V_{g2-1}$	$V_{\gamma}$	max. 0,5 V	note 4
Cut-off voltage for visual extinction of focused spot	$-V_{g1}$	80 to 130 V	

Outer conductive coating (m) and mu-metal shield to be earthed.

Grid  $g5$  has two connections; the socket connection to be used for applying shield voltage  $V_{g5}$ , the side pin connection to be used for proper earthing of  $g5$  via a spark gap.

**Performance**

Horizontal deflection coefficient	$M_x$	7,3 V/cm $\pm$ 10%	
Vertical deflection coefficient	$M_y$	typ. 2,9 V/cm	
		$\geq$ 2,7 V/cm	
		$\leq$ 3,0 V/cm	
Deviation of deflection linearity	$\leq$	3 %	note 5
Geometry distortion			note 6
Eccentricity of undeflected spot with respect to internal graticule			
in horizontal direction	$\leq$	4 mm	
in vertical direction	$\leq$	2 mm	note 2
Angle between x- and y-traces		$90 \pm 0,5^\circ$	note 2
Angle between x-trace and x-axis of internal graticule	$\leq$	$5^\circ$	note 7
Luminance reduction with respect to screen centre			
x-axis, at a scan of $\pm$ 50 mm	$\leq$	30 %	
y-axis, at a scan of $\pm$ 40 mm	$\leq$	30 %	
any corner	$\leq$	50 %	
Grid drive for 10 $\mu$ A screen current	$V_d$	approx. 20 V	
Line width	l.w.	approx. 0,37 mm	note 8
Photographic writing speed ( $V_d = 75$ V; Polaroid 612 film; GH phosphor; F = 1,2; magnification 0,5)	p.w.s.		
		min.	3,0 cm/ns

\* Notes are on last page.

**LIMITING VALUES** (Absolute maximum rating system)

Final accelerator voltage	$V_{g7(\ell)}$	max.	26 kV	Fig. 7
First accelerator voltage	$V_{g2}$	max.	3,4 kV	
Focusing electrode voltage	$V_{g3}$	max.	3,4 kV	
Control grid voltage	$-V_{g1}$	max.	200 V	
		min.	0 V	
Cathode to heater voltage	$V_{kf}$	max.	125 V	
		$-V_{kf}$	max.	125 V
Heater voltage	$V_f$	max.	6,6 V	
		min.	6,0 V	
Voltage between g4,g5 and any deflection plate	$\Delta V_{g4,g5,x,y}$	max.	500 V	
Grid drive, averaged over 1 ms	$V_d$	max.	30 V	
Screen dissipation	$W_\ell$	max.	8 mW/cm <sup>2</sup>	
Control grid circuit resistance	$R_{g1}$	max.	1 M $\Omega$	

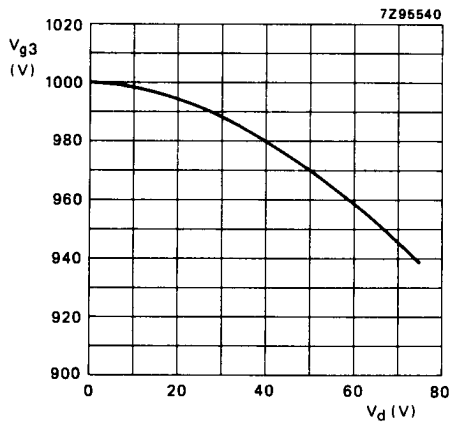


Fig. 6 Focusing voltage ( $V_{g3}$ ) as a function of grid drive voltage ( $V_d$ ); typical curve.

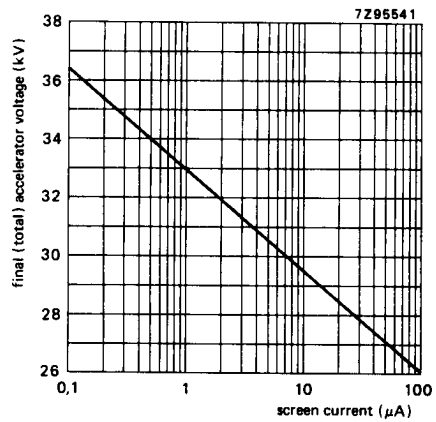


Fig. 7 0,5 mR/h isoexposure-rate limit curve, measured according to EIA standard RS-502 (formerly TEPAC104).

## NOTES

1. As the frit seal is visible through the faceplate, and not necessarily aligned with the internal graticule, application of an external passe-partout with open area of max. 102 mm x 82 mm is recommended. The internal graticule is aligned with the faceplate by using the faceplate reference points (see Fig. 5).
2. The tube features internal magnetic correction for orthogonality between x- and y-traces, spot shaping (astigmatism) and eccentricity calibration. Correction is obtained at  $V_{g2-1,g4} = 2500$  to 3300 V; optimum at  $V_{g2-1,g4} = 3000$  V.
3. For some applications a mean x-potential up to 50 V positive with respect to mean y-potential is inevitable. In this case  $V_{g5}$  must be made equal to mean x-potential, and a range of 0 to -50 V with respect to mean y-potential will be required on g4 for astigmatism correction. The circuit resistance for  $V_{g4}$  should be  $\leq 10$  k $\Omega$ .
4. Deviation of mean y-plate potential with respect to  $V_{g2-1}$  will introduce spot distortion.
5. Deviation of linearity is defined as the proportional deviation of the deflection coefficient over any division on the x-axis and y-axis from the average values over the central eight (horizontal) and central six (vertical) divisions respectively.
6. A graticule consisting of concentric rectangles of 100 mm x 80 mm and 98 mm x 78 mm is aligned with the internal graticule. With optimum trace rotation correction the edges of a raster will fall between these rectangles.
7. The tube has a trace rotation coil, fixed onto the lower cone part. The coil has 1000 turns and a resistance of  $185 \pm 20 \Omega$  at 20 °C, which increases by approx. 0,4%/K for rising temperature. Approx. 6,7 mA causes 1° trace rotation.
8. Measured with the shrinking raster method in the centre of the screen under typical operating conditions, adjusted for optimum spot size at a beam current  $I_{\varrho} = 10 \mu\text{A}$ .

## INSTRUMENT CATHODE-RAY TUBE

18 cm diagonal, rectangular flat faced oscilloscope tube with mesh and metal backed screen.

### QUICK REFERENCE DATA

Final accelerator voltage	$V_{g7(\varrho)}$	10 kV
Display area		120 x 100 mm <sup>2</sup>
Deflection factor		
horizontal	$M_x$	15,5 V/cm
vertical	$M_y$	4,5 V/cm

### SCREEN

Metal backed phosphor		
type	D18-120GH	
colour	green	
persistence	medium short	
Useful screen area	min.	120 x 100 mm <sup>2</sup>
Useful scan at $V_{g7(\varrho)}/V_{g2,g4} = 5$		
horizontal	min.	120 mm
vertical	min.	100 mm
Spot eccentricity		
horizontal direction		± 8 mm
vertical direction		± 6 mm

### HEATING

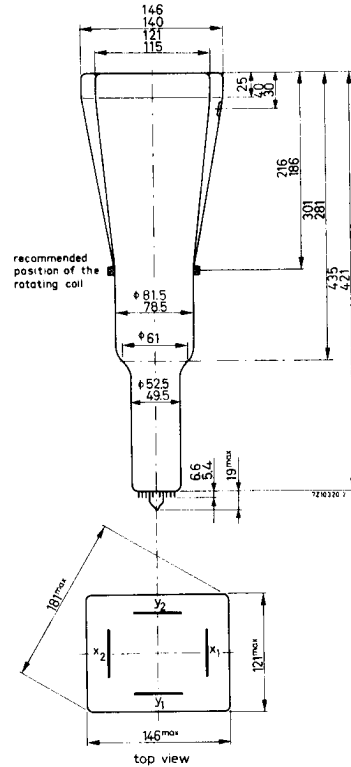
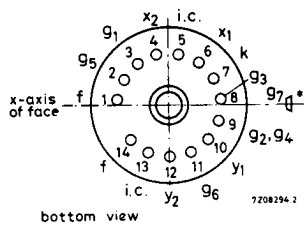
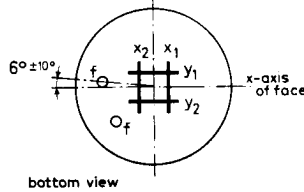
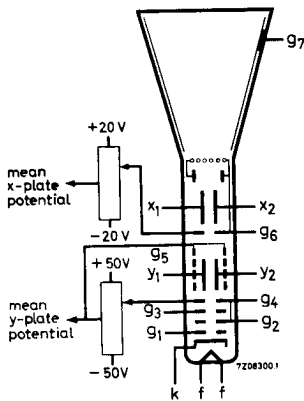
Indirect by AC or DC; parallel supply

Heater voltage	$V_f$	6,3 V
Heater current	$I_f$	300 mA

**MECHANICAL DATA**

\* The centre of the contact is located within a square of 10 mm x 10 mm around the true geometrical position.

Dimensions in mm



**Mounting position**

The tube should not be supported by the base alone and under no circumstances should the socket be allowed to support the tube.

**Dimensions and connections**

See also outline drawing

Overall length (socket included)

Face dimensions

**Net weight**

**Base**

**Accessories**

Socket (supplied with tube)

Final accelerator contact connector

Mu-metal shield

any

max. 454 mm

max. 146 x 121 mm<sup>2</sup>

approx. 1300 g

14 pin all glass

type 55566

type 55563A

type 55584

**CAPACITANCES**

$x_1$ to all other elements except $x_2$	$C_{x1(x2)}$	6,5 pF
$x_2$ to all other elements except $x_1$	$C_{x2(x1)}$	6,5 pF
$y_1$ to all other elements except $y_2$	$C_{y1(y2)}$	5 pF
$y_2$ to all other elements except $y_1$	$C_{y2(y1)}$	5 pF
$x_1$ to $x_2$	$C_{x1x2}$	2,2 pF
$y_1$ to $y_2$	$C_{y1y2}$	1,7 pF
Control grid to all other elements	$C_{g1}$	5,5 pF
Cathode to all other elements	$C_k$	4,5 pF

**FOCUSING**

electrostatic

**DEFLECTION**

x plates

double electrostatic

y plates

symmetrical

symmetrical

If use is made of the full deflection capabilities of the tube the deflection plates will intercept part of the electron beam; hence a low impedance deflection plate drive is desirable.

Angle between x and y traces

 $90 \pm 1^\circ$ 

Angle between x trace and the horizontal axis of the face

max.  $5^\circ$  note 1**LINE WIDTH**

Measured with the shrinking raster method in the centre of the screen under typical operating conditions, adjusted for optimum spot size at a beam current  $I_b = 10 \mu A$ .

Line width

at screen centre

l.w. 0,50 mm

in corner area

l.w. approx. 0,60 mm



## TYPICAL OPERATING CONDITIONS

			notes
Final accelerator voltage	$V_{g7(\ell)}$	10000 V	
Interplate shield voltage	$V_{g6}$	2000 V	
Geometry control voltage	$\Delta V_{g6}$	$\pm 20$ V	2
Deflection plate shield voltage	$V_{g5}$	2000 V	3
Focusing electrode voltage	$V_{g3}$	350 to 500 V	
First accelerator voltage	$V_{g2, g4}$	2000 V	
Astigmatism control voltage	$\Delta V_{g2, g4}$	$\pm 50$ V	4
Control grid voltage for visual extinction of focused spot	$V_{g1}$	-25 to -80 V	
Grid drive for 10 $\mu$ A screen current		approx. 12 V	
Deflection factor, horizontal	$M_x$	av. 15,5 V/cm max. 17 V/cm	
Deflection factor, vertical	$M_y$	av. 4,5 V/cm max. 5 V/cm	
Deviation of linearity of deflection		max. 2 %	5
Geometry distortion	See note 6		
Useful scan			
horizontal		min. 120 mm	
vertical		min. 100 mm	

## LIMITING VALUES

## Absolute maximum rating system

Final accelerator voltage	$V_{g7(\ell)}$	max. 11000 V min. 9000 V
Interplate shield voltage and geometry control electrode voltage	$V_{g6}$	max. 2200 V
Deflection plate shield voltage	$V_{g5}$	max. 2200 V
Focusing electrode voltage	$V_{g3}$	max. 2200 V
First accelerator and astigmatism control electrode voltage	$V_{g2, g4}$	max. 2200 V min. 1350 V
Control grid voltage	$-V_{g1}$	max. 200 V min. 0 V
Cathode to heater voltage	$V_{kf}$ $-V_{kf}$	max. 125 V min. 125 V
Voltage between astigmatism control electrode and any deflection plate	$V_{g4/x}$ $V_{g4/y}$	max. 500 V max. 500 V
Grid drive, average		max. 20 V
Screen dissipation	$W_\ell$	max. 8 mW/cm <sup>2</sup>
Ratio $V_{g7(\ell)}/V_{g2, g4}$	$V_{g7(\ell)}/V_{g2, g4}$	max. 6,7
Control grid circuit resistance	$R_{g1}$	max. 1 M $\Omega$

**NOTES**

1. In order to align the x-trace with the horizontal axis of the screen, the whole picture can be rotated by means of a rotation coil. This coil will have 50 amp. turns for the indicated maximum rotation of  $5^\circ$  and should be positioned as indicated in the drawing.
2. This tube is designed for optimum performance when operating at a ratio  $V_{g7}/V_{g2, g4} = 5$ .  
The geometry electrode voltage should be adjusted within the indicated range (values with respect to the mean x-plate potential).  
A negative control voltage will cause some pincushion distortion and less background light, a positive control voltage will give some barrel distortion and a slight increase of background light.
3. The deflection plate shield voltage should be equal to the mean y-plate potential. The mean x- and y-plate potentials should be equal for optimum spot quality.
4. The astigmatism control electrode voltage should be adjusted for optimum spot shape. For any necessary adjustment its potential will be within the stated range.
5. The sensitivity at a deflection of less than 75% of the useful scan will not differ from the sensitivity at a deflection of 25% of the useful scan by more than the indicated value.
6. A graticule, consisting of concentric rectangles of 115 mm x 95 mm and 112,2 mm x 93,0 mm is aligned with the electrical x-axis of the tube, with optimum correction potentials applied, a raster will fall between these rectangles.

# DEVELOPMENT DATA

This data sheet contains advance information and specifications are subject to change without notice.

D18-180GY/127

## INSTRUMENT CATHODE-RAY TUBE

- mono accelerator
- 18 cm diagonal rectangular flat face
- dynamic deflection defocusing correction
- internal magnetic correction for astigmatism, vertical eccentricity and orthogonality
- low heater power consumption
- for oscilloscopes and general display up to 25 MHz bandwidth

### QUICK REFERENCE DATA

Accelerator voltage	$V_{g2,g4,g5(\ell)}$	2000		2500	V
Minimum useful scan area		120 mm x 96 mm			
Deflection coefficient					
horizontal	$M_x$	21		26	V/cm
vertical	$M_y$	15		19	V/cm

### OPTICAL DATA

Screen		
type	GY, colour green	
persistence	medium	
Useful screen area	$\geq 124$ mm x 100 mm; note 1	
Useful scan area	$\geq 120$ mm x 96 mm	
Internal graticule	type 127; see Fig. 4	

### HEATING

Indirect by a.c. or d.c.\*

Heater voltage	$V_f$	6,3 V
Heater current	$I_f$	0,1 A
Heating time to attain 10% of the cathode current at equilibrium conditions		approx. 7 s

\* Not to be connected in series with other tubes.

**MECHANICAL DATA****Dimensions and connections** (see also outline drawing)

Overall length (socket included)	≤ 324 mm
Faceplate dimensions	142 ± 0,5 mm x 118 ± 0,5 mm
Net mass	approx. 1,3 kg
Base	12-pin, all glass, JEDEC B12-246

**Mounting**

The tube can be mounted in any position. It must not be supported by the socket and not by the base region alone. The reference points on adjoining edges of the faceplate (see Fig. 4) enable the tube to be mounted accurately in the front panel, thus providing optimum alignment of the internal graticule.

**Accessories**

Socket with solder tags	type 55594
Socket with printed-wiring pins	type 55595
Mu-metal shield	to be established
Pin protector (required for shipping)	supplied with tube

**FOCUSING**

electrostatic

**DEFLECTION**

double electrostatic

x-plates

symmetrical

y-plates

symmetrical

If use is made of the full deflection capabilities of the tube the deflection plates will block part of the electron beam, hence a low impedance deflection plate drive is desirable.

**DYNAMIC DEFLECTION DEFOCUSING CORRECTION**

The tube has a special electrode, positioned between the x and y-plates, for dynamic correction of deflection defocusing, to improve the uniformity of the width of a vertical line up to the screen edges. If use is made of this dynamic correction, a negative voltage proportional to, and approx. 50% of, the negative horizontal deflection plate voltage should be applied to this electrode (grid 6).

The correction-circuit impedance must be  $\leq 100 \text{ k}\Omega$ . To prevent distortion, the output impedances of the x-amplifiers should be  $\leq 10 \text{ k}\Omega$ .

If no correction is required, grid 6 should be connected to mean x-plate potential ( $V_{g2(\ell)}$ ).

**CAPACITANCES (approx. values)**

DEVELOPMENT DATA

x<sub>1</sub> to all other elements except x<sub>2</sub>C<sub>x1(x2)</sub> 4,5 pFx<sub>2</sub> to all other elements except x<sub>1</sub>C<sub>x2(x1)</sub> 4,5 pFy<sub>1</sub> to all other elements except y<sub>2</sub>C<sub>y1(y2)</sub> 3,5 pFy<sub>2</sub> to all other elements except y<sub>1</sub>C<sub>y2(y1)</sub> 3,5 pFx<sub>1</sub> to x<sub>2</sub>C<sub>x1x2</sub> 2 pFy<sub>1</sub> to y<sub>2</sub>C<sub>y1y2</sub> 1 pF

Control grid to all other elements

C<sub>g1</sub> 5 pF

Cathode to all other elements

C<sub>k</sub> 2,7 pF

Grid 6 to all other elements

C<sub>g6</sub> 11 pF

## DIMENSIONS AND CONNECTIONS

Dimensions in mm

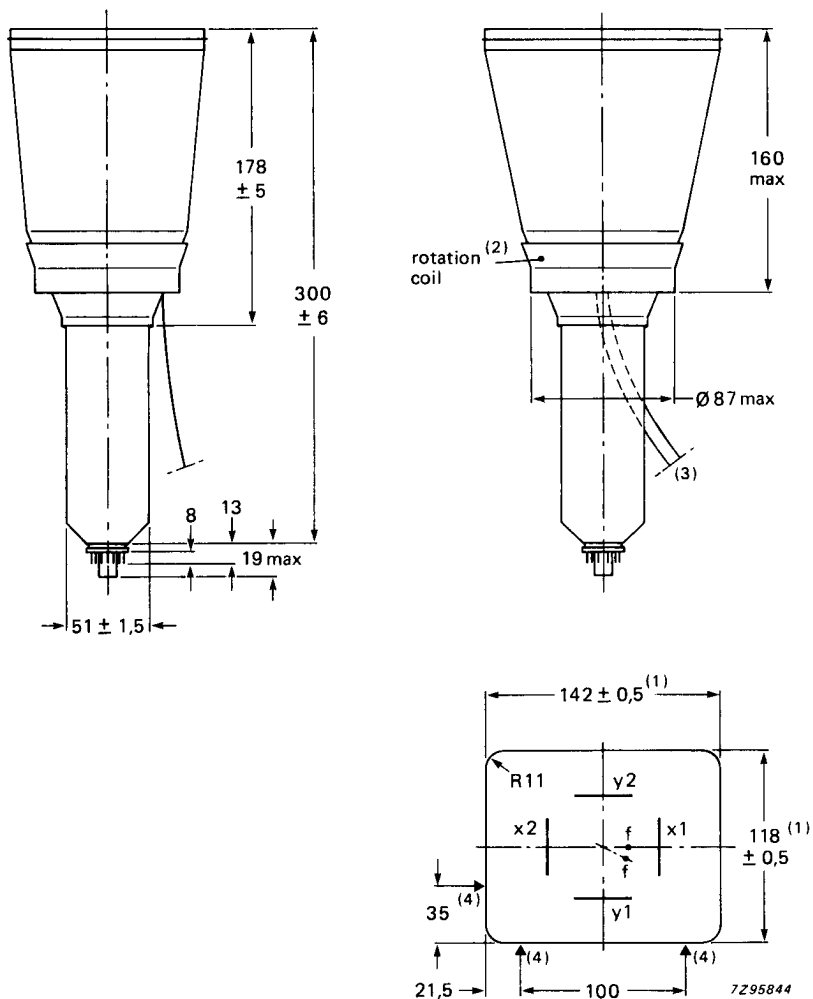


Fig. 1 Outlines.

- (1) Dimensions of faceplate only. The complete assembly of faceplate and cone (frit seal included) will pass through an opening of 146 mm x 122 mm (diagonal 182 mm).
- (2) The coil is fixed to the envelope with resin and adhesive tape.
- (3) The length of the connecting leads of the rotation coil is min. 350 mm.
- (4) Reference points on faceplate for graticule alignment (see Fig. 4).

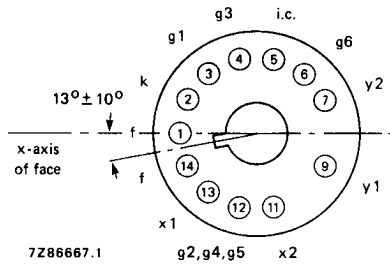


Fig. 2 Pin arrangement; bottom view.

DEVELOPMENT DATA

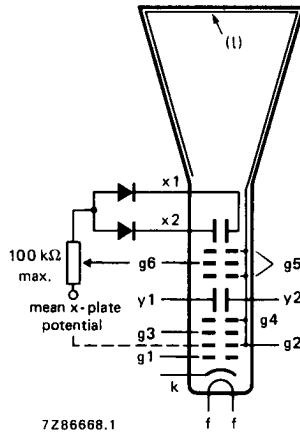


Fig. 3 Electrode configuration.

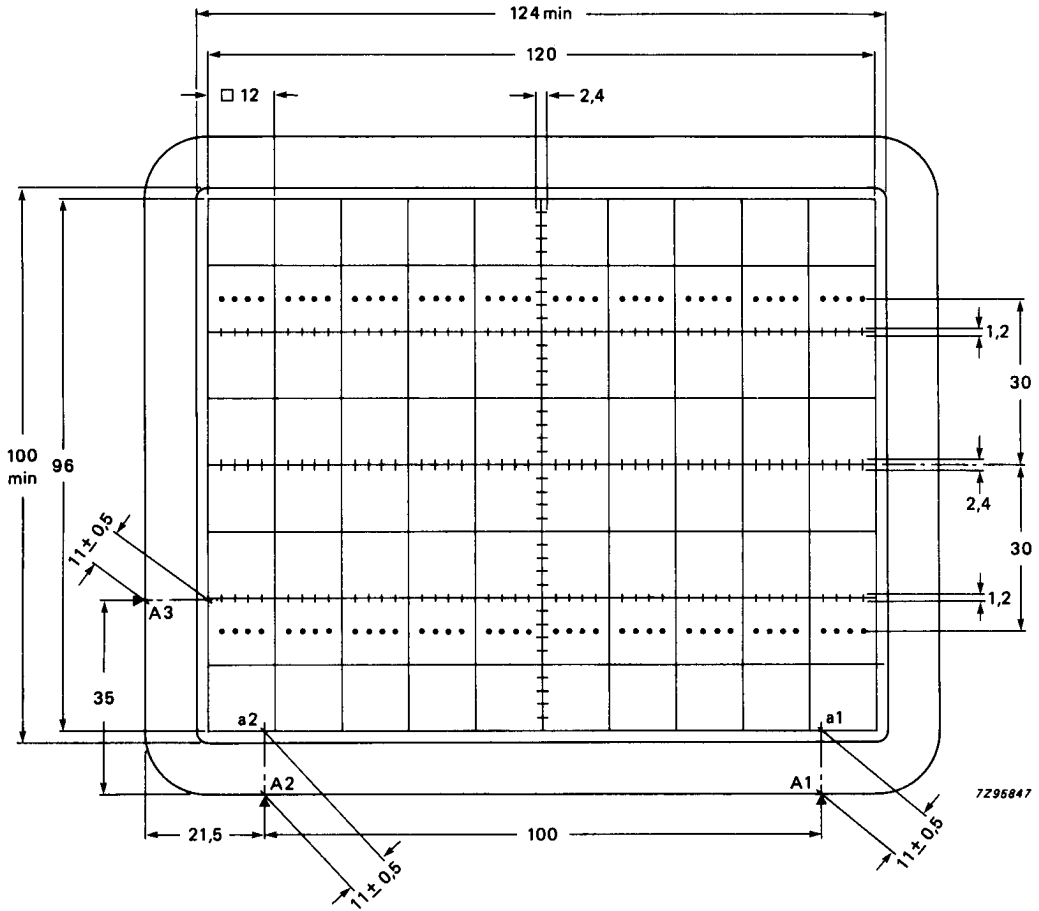


Fig. 4 Front view of tube with internal graticule, type 129. The faceplate reference points A1, A2 and A3 are used for aligning the graticule with the faceplate.

$|a1 - a2| \leq 0,4 \text{ mm.}$

Line thickness = 0,2 mm; dot diameter = 0,4 mm; colour: red.



**TYPICAL OPERATION** (voltages with respect to cathode)

<b>Conditions</b>				note 2
Accelerator voltage	$V_{g2,g4,g5,(l)}$	2000	2500 V	
Astigmatism control voltage	$\Delta V_{g2,g4,g5,(l)}$	0	V	note 3
Focusing voltage	$V_{g3}$	220 to 350	275 to 440 V	note 4
Cut-off voltage for visual extinction of focused spot	$-V_{g1}$	22 to 65	27 to 81 V	note 5
<b>Performance</b>				
Deflection coefficient horizontal	$M_x$	21	26 V/cm	
		23	28,5 V/cm	
vertical	$M_y$	15	19 V/cm	
		16	21 V/cm	
Deviation of deflection linearity		2 %		note 6
Geometry distortion		see note 7		
Eccentricity of undeflected spot with respect to internal graticule		4 mm		note 3
		2 mm		note 3
Angle between x and y-traces		90°		note 3
Angle between x-trace and x-axis of the internal graticule		5°		note 8
Grid drive voltage for 10 $\mu$ A screen current	$V_d$	10 V		note 5
Line width	l.w.	0,3 mm		note 9

DEVELOPMENT DATA

**LIMITING VALUES** (Absolute maximum rating system)

Accelerator voltage	$V_{g2,g4,g5,(l)}$	max.	3000 V
Focusing voltage	$V_{g3}$	max.	3000 V
Voltage between accelerator electrode and grid 6	$V_{g2/g6}$	max.	$\pm 500$ V
Voltage between accelerator electrode and any deflection plate	$V_{g2/x/y}$	max.	$\pm 500$ V
Control grid voltage	$-V_{g1}$	max.	200 V
		min.	0 V
Cathode to heater voltage	positive	max.	125 V
		negative	max.
Heater voltage	$V_f$	max.	6,6 V
		min.	6,0 V
Grid drive voltage, averaged over 1 ms	$V_d$	max.	20 V
Screen dissipation	$W_{\varrho}$	max.	3 mW/cm <sup>2</sup>
Control grid circuit resistance	$R_{g1}$	max.	1 M $\Omega$

## NOTES

1. As the frit seal is visible through the faceplate, and not necessarily aligned with the internal graticule, application of an external passe-partout with open area of max. 124 mm x 100 mm is recommended. The internal graticule is aligned with the faceplate by using the faceplate reference points (see Fig. 4).
2. The mean x-plate potential and the mean y-plate potential should be equal to  $V_{g2,g4,g5(\ell)}$ .
3. The tube features internal magnetic correction for astigmatism, orthogonality and eccentricity calibration. Optimum spot is obtained if  $V_{g2,g4,g5(\ell)}$  is equal to mean y-potential.
4. An actual focus range of approx. 50 V should be provided on the front panel.  $V_{g3}$  decreases with increasing grid drive.
5. Intensity control on the front panel should be limited to the maximum useful screen current dependent on  $V_{g2,g4,g5(\ell)}$ . It is to be adjusted either by the grid drive (up to 30 V) or for maximum acceptable line width. The corresponding cathode current or  $I_{g2,g4,g5}$  (up to 500  $\mu\text{A}$ ) depends on the cut-off voltage and cannot be used for control settings.
6. The sensitivity at a deflection of less than 75% of the useful scan will not differ from the sensitivity at a deflection of 25% of the useful scan by more than the indicated value.
7. A graticule consisting of concentric rectangles of 120 mm x 96 mm and 117 mm x 93 mm is aligned with the internal graticule. With optimum trace rotation correction the edges of a raster will fall between these rectangles.
8. The tube has a trace rotation coil, fixed onto the lower cone part. The coil has a maximum resistance of 240  $\Omega$  at 80  $^{\circ}\text{C}$ . The maximum required voltage is approx. 12 V for tube tolerances ( $\pm 5^{\circ}$ ) and earth magnetic field with reasonable shielding ( $\pm 2^{\circ}$ ).
9. Measured with the shrinking raster method within the useful scan under typical operating conditions, adjusted for optimum focus and dynamic correction applied.

As the construction of the tube does not permit a direct measurement of the beam current, this current should be determined as follows:

- a) Under typical operating conditions, apply a small raster display (no overscan), adjust  $V_{g1}$  for a beam current of approx. 10  $\mu\text{A}$  and adjust  $V_{g3}$  for smallest spot size at the centre of the screen. When measuring the beam current, grid 6 should be connected to  $g2$ -potential and the diodes should be disconnected from the x-plates.
- b) Under these conditions, but without raster, the deflection plate voltages should be changed to:  $V_{y1} = V_{y2} = 2000 \text{ V}$ ;  $V_{x1} = 1300 \text{ V}$ ;  $V_{x2} = 1700 \text{ V}$ , thus directing the total beam current to  $x_2$ . Measure the current on  $x_2$  and adjust  $V_{g1}$  for  $I_{x2} = 10 \mu\text{A}$ .
- c) Set again for the conditions under a), without touching the  $V_{g1}$  control. The screen current of the resulting raster display is now 10  $\mu\text{A}$ . Adjust  $V_{g3}$  for optimum focus in the centre of the screen and apply dynamic correction to grid 6 for optimum width of a vertical line.

# DEVELOPMENT DATA

This data sheet contains advance information and specifications are subject to change without notice.

D18-190GH/127

## INSTRUMENT CATHODE-RAY TUBE

- 18 cm diagonal rectangular flat face
- domed mesh post-deflection acceleration
- internal magnetic lens system for correction of orthogonality, astigmatism and eccentricity
- quick-heating cathode
- internal graticule
- high sensitivity and high brightness
- short overall length
- for oscilloscopes and general display up to 100 MHz bandwidth

### QUICK REFERENCE DATA

Final accelerator voltage	$V_{g7(\ell)}$	16 kV
First accelerator voltage	$V_{g4}$	2 kV
Minimum useful scan area		120 mm x 96 mm
Deflection coefficient		
horizontal	$M_x$	6,4 V/cm
vertical	$M_y$	3,4 V/cm

### OPTICAL DATA

Screen	metal-backed phosphor
type	GH
colour	green
persistence	medium short
Useful screen area	$\geq 124$ mm x 100 mm; note 1
Useful scan area	$\geq 120$ mm x 96 mm
Internal graticule	type 127; see Fig. 4

### HEATING

Indirect by AC or DC*		
Heater voltage	$V_f$	6,3 V
Heater current	$I_f$	240 mA
Heating time to attain 10% of the cathode current at equilibrium conditions		approx. 5 s

\* Not to be connected in series with other tubes.

**MECHANICAL DATA****Dimensions and connections** (see also outline drawings)

Overall length (socket included)	≤ 348 mm
Faceplate dimensions	142 ± 0,5 mm x 118 ± 0,5 mm
Net mass	approx. 1,3 kg
Base	12 pin, all glass, JEDEC B12-246

**Mounting**

The tube can be mounted in any position. It must not be supported by the socket and not by the base region alone. The reference points on adjoining edges of the faceplate (see Fig. 4) enable the tube to be mounted accurately in the front panel, thus providing optimum alignment of the internal graticule.

**Accessories**

Pin protector (required for shipping)	supplied with tube
Socket with solder tags	type 55594
Socket with printed-wiring pins	type 55595
Final accelerator contact connector	type 55569/55597
Mu-metal shield	to be established

**FOCUSING**

electrostatic

**DEFLECTION**

double electrostatic

x-plates

symmetrical

y-plates

symmetrical

## CAPACITANCES

$x_1$ to all other elements except $x_2$	$C_{x1(x2)}$	4,8 pF
$x_2$ to all other elements except $x_1$	$C_{x2(x1)}$	3,6 pF
$y_1$ to all other elements except $y_2$	$C_{y1(y2)}$	3,0 pF
$y_2$ to all other elements except $y_1$	$C_{y2(y1)}$	3,0 pF
$x_1$ to $x_2$	$C_{x1x2}$	3,3 pF
$y_1$ to $y_2$	$C_{y1y2}$	1,4 pF
Control grid to all other elements	$C_{g1}$	6,5 pF
Cathode to all other elements	$C_k$	3,2 pF
Focusing electrode to all other elements	$C_{g3}$	8 pF

DEVELOPMENT DATA

DIMENSIONS AND CONNECTIONS

Dimensions in mm

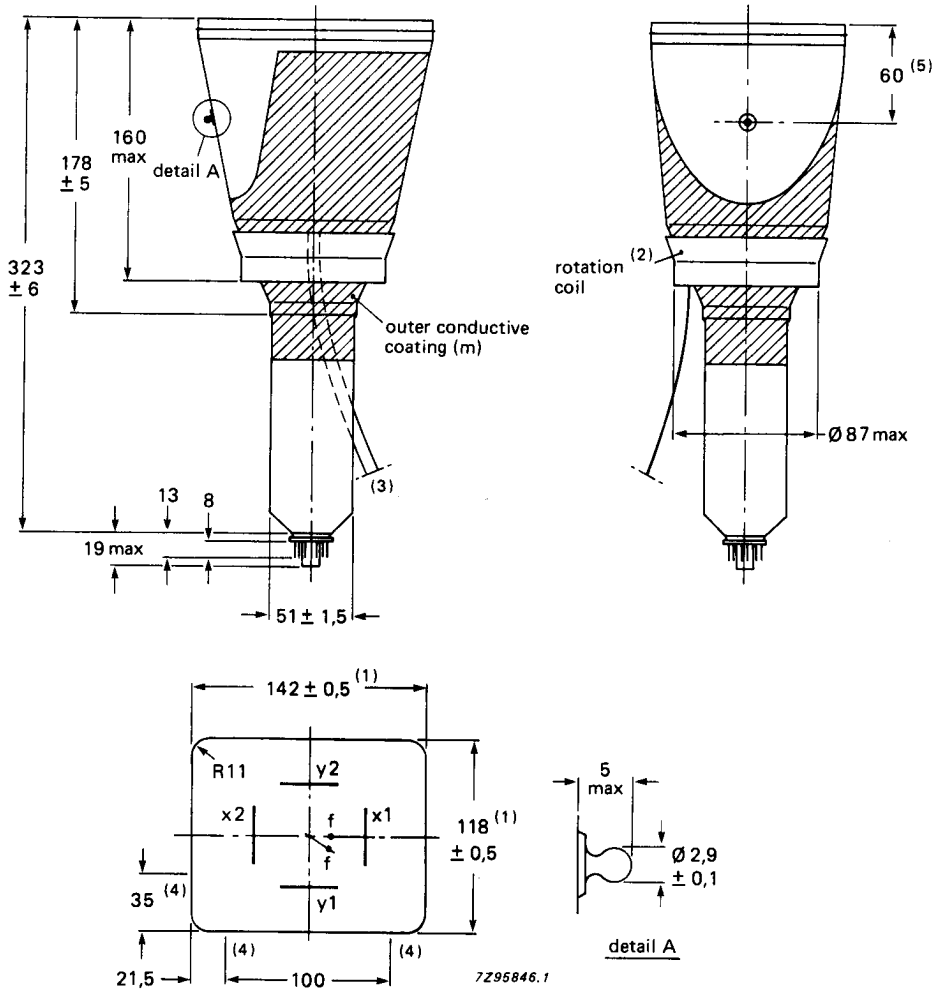


Fig. 1 Outlines.

1. Dimensions of faceplate only. The complete assembly of faceplate and cone (frit seal included) will pass through an opening of 146 mm x 122 mm (diagonal 182 mm).
2. The coil is fixed to the envelope with resin and adhesive tape.
3. The length of the connecting leads of the rotation coil is min. 350 mm.
4. Reference points on faceplate for graticule alignment (see Fig. 4).
5. The centre of the final accelerator contact is situated within a square of 10 mm x 10 mm around the indicated position.

DIMENSIONS AND CONNECTIONS (continued)

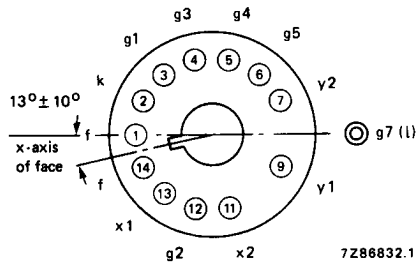
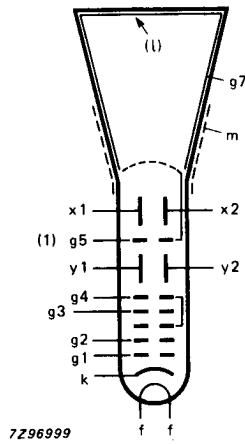


Fig. 2 Pin arrangement; bottom view.

DEVELOPMENT DATA



(1) G5 impedance to all other elements 25 kΩ maximum.

Fig. 3 Electrode configuration

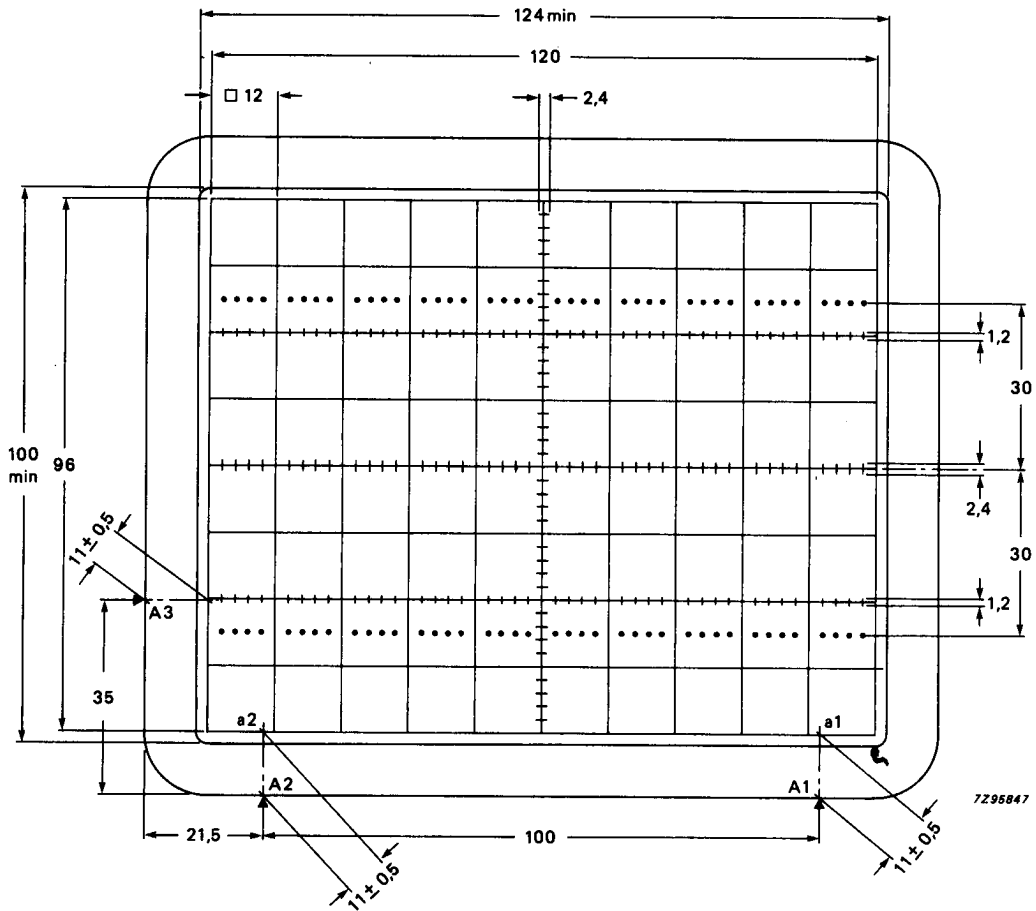


Fig. 4 Front view of tube with internal graticule, type 129. The faceplate reference points A1, A2 and A3 are used for aligning the graticule with the faceplate.  
 $|a1 - a2| \leq 0,4$  mm.

Line thickness = 0,2 mm; dot diameter = 0,4 mm; colour: red.



**TYPICAL OPERATION** (voltages with respect to cathode) \***Conditions**

Final accelerator voltage	$V_{g7(\ell)}$	16 kV
Mean deflection plate potential		2 kV note 2
Shield voltage for optimum geometry	$V_{g5}$	2 kV note 3
First accelerator and astigmatism control voltage	$V_{g4}$	2 kV note 3
Focusing voltage	$V_{g3}$	400 to 800 V
Grid 2 voltage	$V_{g2}$	2 kV
Cut-off voltage for visual extinction of focused spot	$-V_{g1}$	45 to 90 V

Outer conductive coating (m) and mu-metal shield to be earthed.

**Performance**

Horizontal deflection coefficient	$M_x$	6,4 V/cm $\pm$ 10%
Vertical deflection coefficient	$M_y$	3,4 V/cm $\pm$ 5%
Deviation of deflection linearity		$\leq$ 2% note 4
Geometry distortion		note 5
Eccentricity of undeflected spot		
in horizontal direction		$\leq$ 4 mm
in vertical direction		$\leq$ 2 mm
Angle between x- and y-traces		90° note 2
Angle between x-trace and x-axis of tube/graticule		$\leq$ 5° note 6
Luminance reduction with respect to screen centre		
x-axis, $\pm$ 60 mm scan		$\leq$ 30%
y-axis, $\pm$ 48 mm scan		$\leq$ 30%
any corner		$\leq$ 50%
Grid drive for 10 $\mu$ A screen current	$V_d$	approx. 20 V
Line width	l.w.	approx. 0,35 mm note 7

DEVELOPMENT DATA

**LIMITING VALUES** (Absolute maximum rating system)

Final accelerator voltage	$V_{g7(l)}$	max.	18 kV note 8
Shield voltage	$V_{g5}$	max.	3,3 kV
First accelerator and astigmatism control voltage	$V_{g4}$	max.	3,3 kV
Focusing electrode voltage	$V_{g3}$	max.	2,5 kV
Grid 2 voltage	$V_{g2}$	max.	3,3 kV
Control grid voltage	$-V_{g1}$	max. min.	200 V 0 V
Cathode to heater voltage			
positive	$V_{kf}$	max.	125 V
negative	$-V_{kf}$	max.	125 V
Heater voltage	$V_f$	max. min.	6,6 V 6,0 V
Voltage between g2 and g4	$\Delta V_{g2,g4}$	max.	2 kV
Voltage between g4,g5 and any deflection plate	$\Delta V_{g4,g5,x,y}$	max.	500 V
Grid drive, averaged over 1 ms	$V_d$	max.	25 V
Screen dissipation	$W_{\ell}$	max.	8 mW/cm <sup>2</sup>
Control grid circuit resistance	$R_{g1}$	max.	1 M $\Omega$

## NOTES

1. As the frit seal is visible through the faceplate, and not necessarily aligned with the internal graticule, application of an external passe-partout with open area of max. 124 mm x 100 mm is recommended. The internal graticule is aligned with the faceplate by using the faceplate reference points (see Fig. 4).
2. The deflection plates must be operated symmetrically; floating mean x- or y-potentials will result into non-uniform line width and geometry distortion. The mean x- and y-potentials should be equal; under this condition the tube will be within the specification without corrections for astigmatism and geometry.  
The tube features internal magnetic correction for orthogonality between x- and y-traces, spot shaping (astigmatism) and eccentricity calibration.
3. For some applications a mean x-potential up to 50 V positive with respect to mean y-potential is inevitable. In this case  $V_{g5}$  must be made equal to mean x-potential, and a range of 0 to -25 V with respect to mean y-potential will be required on  $g4$  for astigmatism correction. The circuit resistance for  $V_{g4}$  should be  $\leq 10 \text{ k}\Omega$ .
4. The sensitivity at a deflection of less than 75% of the useful scan will not differ from the sensitivity at a deflection of 25% of the useful scan by more than the indicated value.
5. A graticule consisting of concentric rectangles of 120 mm x 96 mm and 117,4 mm x 93,4 mm is aligned with the internal graticule. With optimum trace rotation correction the edges of a raster will fall between these rectangles.
6. The tube has a trace rotation coil, fixed onto the lower cone part. The coil has a maximum resistance of  $240 \Omega$  at  $80 \text{ }^\circ\text{C}$ . The maximum required voltage is approx. 13 V for tube tolerances ( $\pm 5^\circ$ ) and earth magnetic field with reasonable shielding ( $\pm 2^\circ$ ).
7. Measured with the shrinking raster method in the centre of the screen under typical operating conditions, adjusted for optimum spot size at a beam current  $I_\ell = 10 \mu\text{A}$ .
8. The X-ray dose rate remains below the acceptable value of 36 pA/kg (0,5 mR/h), when the tube is used within its limiting values (beam current  $I_\ell \leq 100 \mu\text{A}$ ).

DEVELOPMENT DATA

## INSTUMENT CATHODE-RAY TUBE

14 cm diagonal, rectangular flat faced, split-beam oscilloscope tube with mesh and metal-backed screen.

QUICK REFERENCE DATA			
Final accelerator voltage	$V_{g7(\ell)}$	10	kV
Display area		100 x 80	mm <sup>2</sup>
Deflection coefficient, horizontal vertical	$M_x$	13,5	V/cm
	$M_y'$	9	V/cm
	$M_y''$	9	V/cm
Overlap of the systems		100	%

**SCREEN** : Metal-backed phosphor

	Colour	Persistence
E14-100GH	green	medium short

Useful screen dimensions	min.	100 x 80	mm <sup>2</sup>
Useful scan at $V_{g7(\ell)}/V_{g2}, g4 = 6,7$			
horizontal	min.	100	mm
vertical (each system)	min.	80	mm.
overlap		100	%
Spot eccentricity in horizontal direction	max.	7	mm
in vertical direction	max.	10	mm

**HEATING** : indirect by AC or DC; parallel supply

Heater voltage	$V_f$	6,3	V
Heater current	$I_f$	300	mA

MECHANICAL DATA

Dimensions in mm

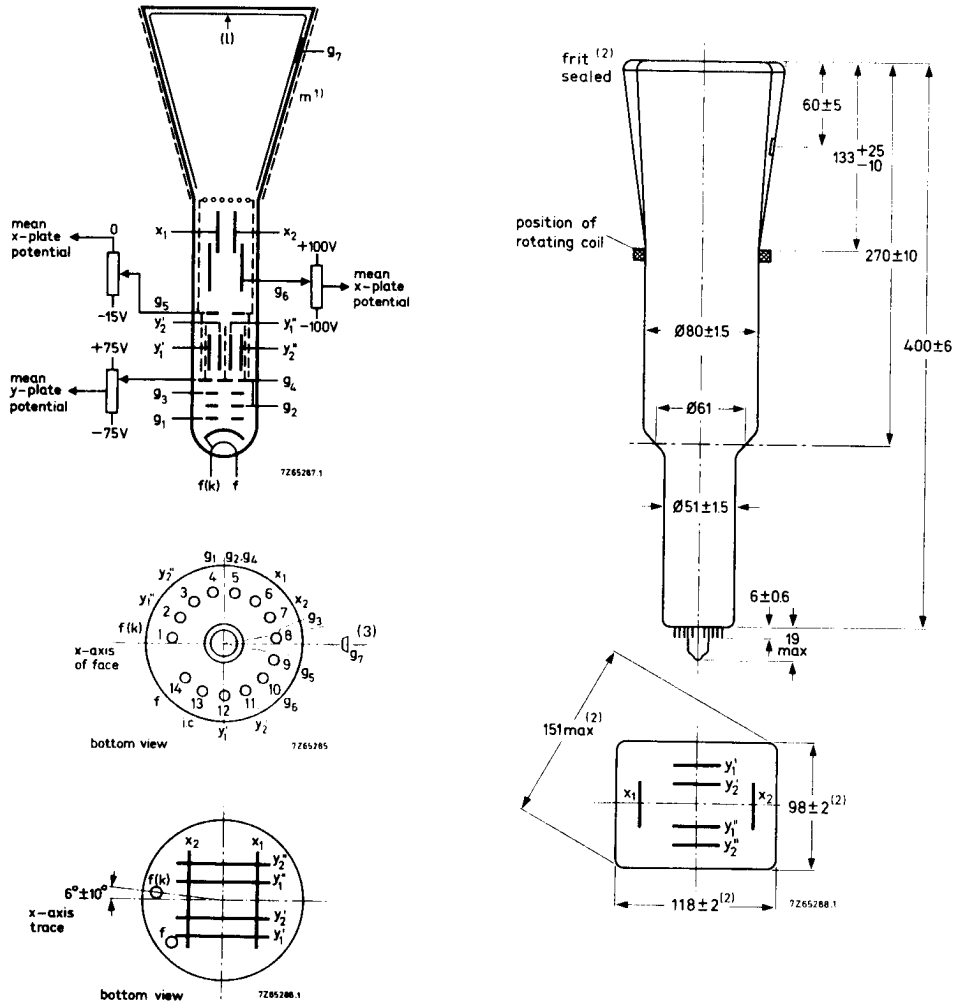


Fig. 1 Outlines.

- (1) The external conductive coating should be earthed.
- (2) The bulge at the frit seal may increase the indicated maximum dimensions by not more than 2 mm.
- (3) The centre of the contact is located within a square of 10 mm x 10 mm around the true geometrical position.

Mounting position

The tube should not be supported by the base alone and under no circumstances should the socket be allowed to support the tube.

**MECHANICAL DATA** (continued)Dimensions and connections

See also outline drawing.

Overall length (socket included)	max.	425 mm
Face dimensions	max.	120 x 100 mm <sup>2</sup>

<u>Net weight</u>	approx.	900 g
-------------------	---------	-------

<u>Base</u>	14-pin all glass
-------------	------------------

Accessories

Socket (supplied with tube)	type	55566
Final accelerator contact connector	type	55563A

**FOCUSING**          Electrostatic

**DEFLECTION**      Double electrostatic  
                   x-plates    symmetrical  
                   y-plates    symmetrical

If the full deflection capacity of the tube is used, part of the beam is intercepted by the deflection plates; hence a low-impedance deflection plate drive is desirable.

Angle between x and y traces (each beam)		$90 \pm 1^\circ$
Angle between corresponding y traces at screen centre	max.	45'
Angle between x trace and horizontal axis of the face	max.	0°

**LINE WIDTH**

Measured with the shrinking raster method under typical operating conditions, and adjusted for optimum spot size at a beam current of 5  $\mu$ A per system.

Line width at screen centre	l. w approx.	0,35 mm
-----------------------------	--------------	---------

**CAPACITANCES**

$x_1$ to all other elements except $x_2$	$C_{x_1(x_2)}$	8 pF
$x_2$ to all other elements except $x_1$	$C_{x_2(x_1)}$	8 pF
$y_1'$ to all other elements except $y_2'$	$C_{y_1'(y_2')}$	4 pF
$y_2'$ to all other elements except $y_1'$	$C_{y_2'(y_1')}$	5,5 pF
$y_1''$ to all other elements except $y_2''$	$C_{y_1''(y_2'')}$	5 pF
$y_2''$ to all other elements except $y_1''$	$C_{y_2''(y_1'')}$	4 pF
External conductive coating to all other elements	$C_m$	800 pF

## CAPACITANCES (continued)

$x_1$ to $x_2$	$C_{x_1x_2}$	3 pF
$y_1'$ to $y_2'$	$C_{y_1'y_2'}$	1 pF
$y_1''$ to $y_2''$	$C_{y_1''y_2''}$	1 pF
Control grid to all other elements	$C_{g_1}$	6 pF
Cathode and heater to all other elements	$C_{kf/R}$	3 pF

## NOTES

1. This tube is designed for optimum performance when operating at a ratio  $V_{g7(t)}/V_{g2, g4} = 6, 7$ .  
The geometry control voltage  $V_{g_6}$  should be adjusted within the indicated range (values with respect to the mean x-plate potential).
2. A negative control voltage on  $g_5$  (with respect to the mean x-plate potential) will cause some pincushion distortion and less background light. By varying the two voltages  $V_{g_5}$  and  $V_{g_6}$  it is possible to find the best compromise between background light and raster distortion.
3. The astigmatism control electrode voltage should be adjusted for optimum spot shape. For any necessary adjustment its potential will be within the stated range.
4. The sensitivity at a deflection less than 75% of the useful scan will not differ from the sensitivity at a deflection of 25% of the useful scan by more than the indicated value.
5. A graticule, consisting of concentric rectangles of 100 mm x 80 mm and 96 mm x 77 mm is aligned with the electrical x-axis of the tube. With optimum correction potentials applied a raster of each system will fall between these rectangles.

## TYPICAL OPERATING CONDITIONS

Final accelerator voltage	$V_{g7}(\ell)$	10	kV
Geometry control electrode voltage	$V_{g6}$	$1500 \pm 100$	V see note 1
Interplate shield voltage	$V_{g5}$	1500	V
Background illumination control voltage	$\Delta V_{g5}$	0 to -15	V see note 2
Focusing electrode voltage	$V_{g3}$	350 to 650	V
First accelerator voltage	$V_{g2}, g4$	1500	V
Astigmatism control voltage	$\Delta V_{g2}, g4$	$\pm 75$	V see note 3
Control grid voltage for extinction of focused spot	$V_{g1}$	-20 to -70	V
Deflection coefficient, horizontal	$M_x$	12, 5	V/cm
		< 14	V/cm
		9	V/cm
vertical	$M_{y'}$	< 10	V/cm
		9	V/cm
	$M_{y''}$	< 10	V/cm
		9	V/cm
Deviation of deflection linearity		< 2	% see note 4
Geometry distortion			see note 5
Useful scan, horizontal		> 100	mm
		> 80	mm
Overlap of the two systems, horizontal		100	%
		100	%

## LIMITING VALUES (Absolute max. rating system)

Final accelerator voltage	$V_{g7}(\ell)$	max.	12	kV
		min.	9	kV
Geometry control electrode voltage	$V_{g6}$	max.	2200	V
Interplate shield voltage	$V_{g5}$	max.	2200	V
Focusing electrode voltage	$V_{g3}$	max.	2200	V
First accelerator and astigmatism control electrode voltage	$V_{g2}, g4$	max.	2200	V
		min.	1350	V
Control grid voltage	$-V_{g1}$	max.	200	V
		min.	0	V
Voltage between astigmatism control electrode and any deflection plate	$V_{g4}/x$	max.	500	V
	$V_{g4}/y$	max.	500	V
Grid drive average		max.	30	V
Screen dissipation	$W_{\ell}$	max.	8	mW/cm <sup>2</sup>
Ratio $V_{g7}(\ell)/V_{g2}, g4$	$V_{g7}(\ell)/V_{g2}, g4$	max.	6, 7	
Control grid circuit resistance	$R_{g1}$	max.	1	M $\Omega$



**CORRECTION COILS**

**General**

The E14-100GH is provided with a pair of coils for image rotation which enable the alignment of the x-trace with the x-lines of the graticule.

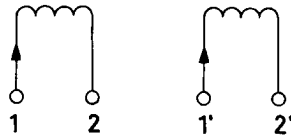


Fig. 2 Diagram of coil unit.

The image rotating coils are wound concentrically around the tube neck. Under typical operating conditions 50 A turns are required for the maximum rotation of 5°. Both coils have 850 turns. This means that a current of max. 30 mA per coil is required which can be obtained by using a 24 V supply when the coils are connected in series, or a 12 V supply when they are in parallel.

**Connecting the coils**

The coils have been connected to the 4 soldering tags as follows:

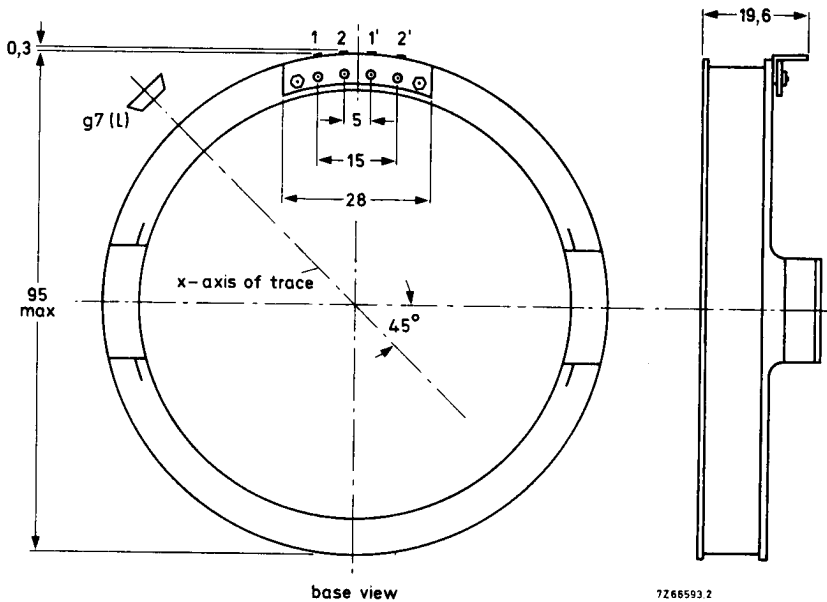


Fig. 3 Dimensions and connections.

**BEAM CENTRING MAGNET**

Inherent to the split-beam system a slight difference between the two beam currents can occur after splitting, resulting in different intensities of the two traces. In order to equalize the beam currents, a beam centring magnet should be mounted near the base of the gun and adjusted for the required field direction and field strength.

## INSTRUMENT CATHODE-RAY TUBE

The E14-101GH is equivalent to the E14-100GH but has no rotating coil.

## INSTRUMENT CATHODE-RAY TUBE

14 cm diagonal, rectangular flat-faced direct-view storage tube with variable persistence and internal graticule, intended for oscilloscope applications.

### QUICK REFERENCE DATA

Final accelerator voltage	$V_{g10}(\text{k})$	8,5	kV
Display area (10 x 8 divisions of 9 mm)		90 x 72	mm <sup>2</sup>
Deflection coefficient			
horizontal	$M_x$	9,5	V/div
vertical	$M_y$	4,1	V/div
Writing speed		2,5	div/ $\mu$ s

### OPTICAL DATA

Screen	metal backed phosphor
type	GH, colour green
persistence, non-store mode	medium-short
persistence, store mode	variable
Useful screen dimensions	min. 90 x 72 mm
Useful scan	
horizontal	min. 90 mm
vertical	min. 72 mm
Spot eccentricity in horizontal and vertical directions	max. 6 mm

The scanned raster can be shifted and aligned with the internal graticule by means of correction coils fitted around the tube by the manufacturer.

### HEATING

#### Writing section

Indirect by a.c. or d.c.; parallel supply

Heater voltage	$V_f$	6,3	V
Heater current	$I_f$	300	mA

#### Viewing section

Indirect by d.c.; parallel supply

Heater voltage	$V_{f'}$	6,3	V
Heater current	$I_{f'}$	300	mA
Heater voltage	$V_{f''}$	6,3	V
Heater current	$I_{f''}$	300	mA

**MECHANICAL DATA****Mounting position** any

The tube should not be supported by the base alone and under no circumstances should the socket be allowed to support the tube. The tags near the screen should not be subjected to mechanical stress.

**Net mass** approx. 1,1 kg**Base** 14 pin, all glass**Dimensions and connections**

See also outline drawing

Overall length (socket included) max. 445 mm

Face dimensions max. 100 x 120 mm

**Accessories**

Socket (supplied with tube) type 55566

Side contact connector (14 required) type 55561

Small ball contact connector (3 required) type 4022 102 21590

**FOCUSING**

electrostatic

**DEFLECTION**

double electrostatic

x-plates

symmetrical

y-plates

symmetrical

Angle between x and y-traces

90°

Angle between x-trace and x-axis of  
the internal graticule

0°

See also Correction coils

## CAPACITANCES

$x_1$ to all other elements except $x_2$	$C_{x1(x2)}$	6,5	pF
$x_2$ to all other elements except $x_1$	$C_{x2(x1)}$	6,5	pF
$y_1$ to all other elements except $y_2$	$C_{y1(y2)}$	3	pF
$y_2$ to all other elements except $y_1$	$C_{y2(y1)}$	3	pF
$x_1$ to $x_2$	$C_{x1x2}$	2,5	pF
$y_1$ to $y_2$	$C_{y1y2}$	2	pF
$g_1$ to all other elements	$C_{g1}$	5,5	pF
$g_1'$ to all other elements	$C_{g1'}$	5,5	pF
$g_1''$ to all other elements	$C_{g1''}$	5,5	pF
$k$ to all other elements	$C_k$	4,5	pF
$k'$ to all other elements	$C_{k'}$	5	pF
$k''$ to all other elements	$C_{k''}$	5	pF
$g_7$ to all other elements	$C_{g7}$	40	pF
$g_9$ to all other elements	$C_{g9}$	75	pF

## DIMENSIONS AND CONNECTIONS

Dimensions in mm

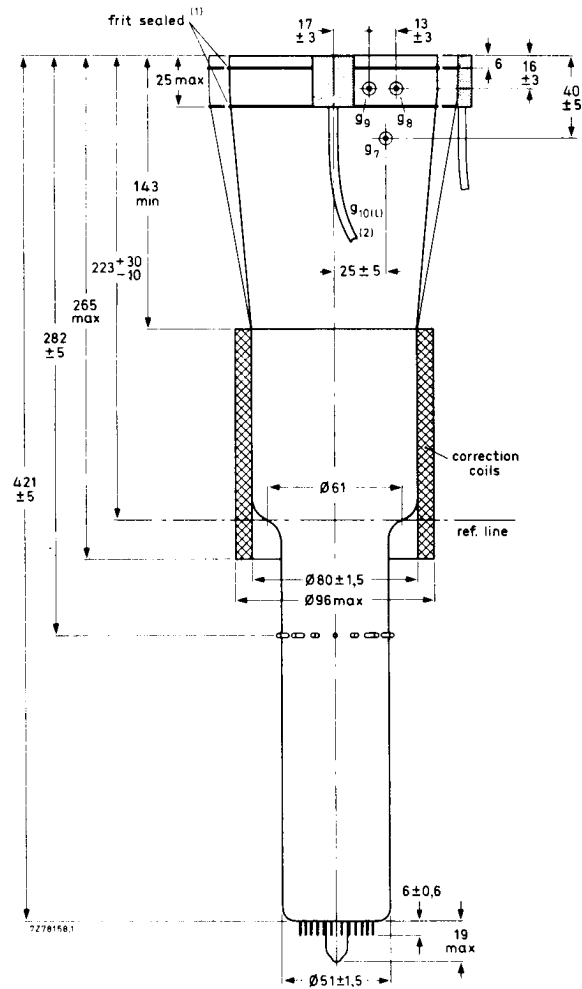


Fig. 1 Outlines.

- (1) The bulge at the frit seal may increase the indicated maximum dimensions by not more than 3 mm.  
 (2) Minimum length of cable: 420 mm.

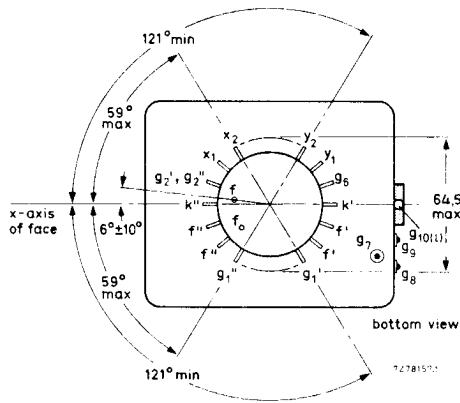


Fig. 2 Bottom view and side-contact arrangement.

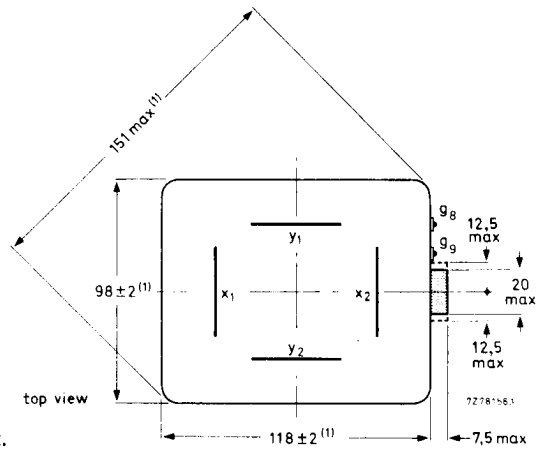


Fig. 3 Top view.

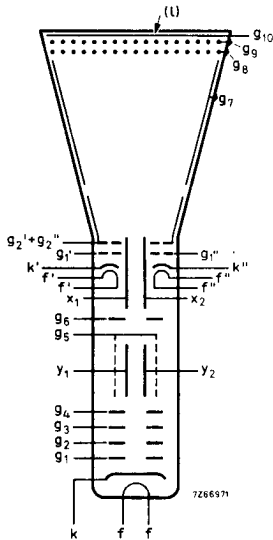


Fig. 4 Electrode configuration.

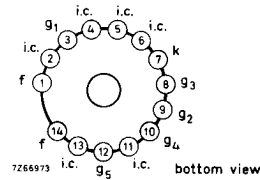


Fig. 5 Pin arrangement; bottom view.

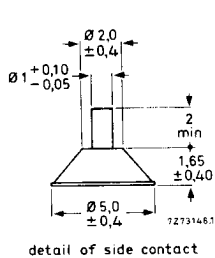


Fig. 6 Detail of side contact

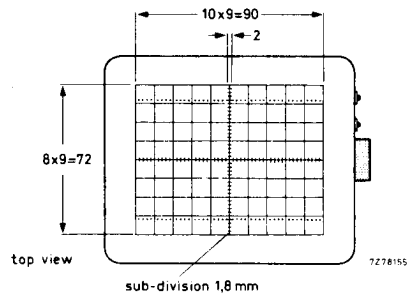


Fig. 7 Internal graticule  
 colour of graticule: brown-black;  
 line width : 0,15 mm;  
 dot diameter : 0,3 mm.



**TYPICAL OPERATION** (for notes see page 284)**Conditions***Writing section* (voltages with respect to writing gun cathode k)

Final accelerator voltage	$V_{g10(l)}$	8500	V	note 1
Geometry control electrode voltage	$V_{g6}$	$1500 \pm 100$	V	
Deflection plate shield voltage	$V_{g5}$	1500	V	note 2
Astigmatism control electrode voltage	$V_{g4}$	$1500 \pm 50$	V	
Focusing electrode voltage	$V_{g3}$	400 to 600	V	
First accelerator voltage	$V_{g2}$	1500	V	
Control grid voltage for visual extinction of focused spot	$V_{g1}$	-40 to -80	V	

*Viewing section* (voltages with respect to viewing gun cathodes k' and k'')

Final accelerator voltage	$V_{g10(l)}$	7050	V	note 1
Backing electrode voltage, storage operation	$V_{g9}$	0 to 5	V	
non-storage operation	$V_{g9}$	-35	V	
Collector voltage	$V_{g8}$	150	V	
Collimator voltage	$V_{g7}$	30 to 120	V	note 3
First accelerator voltage	$V_{g2'}, V_{g2''}$	50	V	note 4
Control grid voltage for cut-off	$V_{g1'}, V_{g1''}$	-30 to -70	V	
Cathode current (each viewing gun)	$I_{k'}, I_{k''}$	0,4	mA	

**Performance**

Useful scan				
horizontal		min. 90	mm	
vertical		min. 72	mm	
Deflection coefficient				
horizontal	$M_x$	9,5	V/div	
		max. 10,5	V/div	
vertical	$M_y$	4,1	V/div	
		max. 4,4	V/div	
Line width at the centre of the screen	l.w.	0,35	mm	note 5
Writing speed in store mode		greater than 250	div/ms	note 6
Storage time		greater than 1,5	min	note 7
Deviation of linearity of deflection		max. 2	%	note 8
Geometry distortion		see note 9		
Grid drive for 10 $\mu$ A beam current		$\approx$ 25	V	

**LIMITING VALUES** (Absolute maximum rating system)**Writing section** (voltages with respect to writing gun cathode k)

Final accelerator voltage	$V_{g10(l)}$	max. 9500	V
		min. 7000	V
Geometry control electrode voltage	$V_{g6}$	max. 2100	V
Deflection plate shield voltage	$V_{g5}$	max. 2000	V
		max. 2100	V
Astigmatism control electrode voltage	$V_{g4}$	min. 1200	V
Focusing electrode voltage	$V_{g3}$	max. 1000	V
First accelerator voltage	$V_{g2}$	max. 2000	V
		min. 1250	V
Control grid voltage			
positive	$V_{g1}$	max. 0	V
negative	$-V_{g1}$	max. 200	V
Cathode to heater voltage			
positive	$V_{kf}$	max. 125	V
negative	$-V_{kf}$	max. 125	V
Voltage between astigmatism control electrode and any deflection plate	$V_{g4/x}$ $V_{g4/y}$	max. 500	V
		max. 500	V
Average grid drive		max. 30	V

**Viewing section** (voltages with respect to viewing gun cathodes k' and k'' unless otherwise specified)

Final accelerator voltage	$V_{g10(l)}$	max. 8000	V
		min. 5500	V
Backing electrode voltage, storage operation	$V_{g9}$	max. 5	V
		min. 0	V
non-storage operation	$-V_{g9}$	max. 50	V
		min. 25	V
		max. 180	V
Collector voltage	$V_{g8}$	min. 120	V
		max. 200	V
Collimator voltage	$V_{g7}$	min. 0	V
		max. 60	V
First accelerator voltage	$V_{g2'}, V_{g2''}$	min. 40	V
Cathode to heater voltage			
positive	$V_{k'f}, V_{k''f'}$	max. 125	V
negative	$-V_{k'f}, -V_{k''f'}$	max. 125	V
Control grid voltage			
positive	$V_{g1'}, V_{g1''}$	max. 0	V
negative	$-V_{g1'}, -V_{g1''}$	max. 200	V

## NOTES

1. These values are valid at cut-off of both flood guns and the writing gun. The H.T. unit must be capable of supplying 0,5 mA. To protect the tube against excessive surge current during erasure, an adequately dimensioned RC-network must be connected in series with the screen terminal lead (Fig. 8).

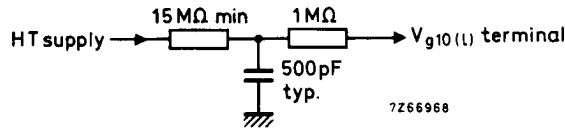


Fig. 8.

2. This voltage should be equal to the mean y-plate potential. The mean x and y-plate potentials should be equal for optimum spot quality.
3. The collimator electrode voltage should be adjusted for optimum uniformity of background illumination.
4. The voltage  $V_{g2'}$ ,  $V_{g2''}$  should be equal to the mean x-plate potential.
5. Measured with the shrinking raster method in the centre of the screen under typical operating conditions, adjusted for optimum spot size at a beam current  $I_b = 10 \mu A$  (measured against x-plates).
6. The writing speed is defined as the maximum speed at which a written trace is just visible, starting from a background which is just black. The indicated value is guaranteed for the total graticule area, with the exception of maximum 5% in each corner. The writing speed can be increased to approx. 2,5 div/ $\mu s$  if some background is tolerated.
7. The storage time is defined as the time required for the brightness of the unwritten background to rise from just zero brightness (viewing-beam cut-off) to 10% of saturated brightness. At reduced intensity (by pulsing the flood beams) the storage time can be increased.
8. The sensitivity at a deflection less than 75% of the useful scan will not differ from the sensitivity at a deflection of 25% of the useful scan by more than the indicated value.
9. A graticule, consisting of concentric rectangles of 88 mm x 70 mm and 86 mm x 68,5 mm is aligned with the electrical x-axis of the tube. With optimum corrections applied, a raster will fall between these rectangles.

## CORRECTION COILS

## General

The L14-111GH/55 is provided with a coil unit (see Fig. 9) consisting of:

- a pair of coils L3 and L4 which enable the angle between the x and y-traces at the centre of the screen to be made exactly  $90^\circ$  (orthogonality correction);
- a pair of coils L1 and L2 for image rotation which enable the alignment of the x-trace with the x-lines of the graticule.

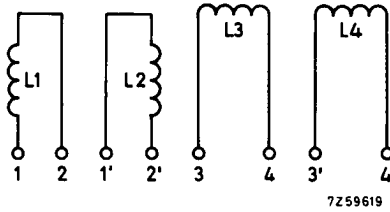


Fig. 9 Diagram of coil unit.

**Orthogonality (coils L3 and L4)**

The current required under typical operating conditions without a mu-metal shield being used is max. 20 mA for complete correction of orthogonality. It will be 30% to 50% lower with shield, depending on the shield diameter. The resistance of the coil is approx. 225  $\Omega$ .

**Image rotation (coils L1 and L2)**

The image rotation coils are wound concentrically around the tube neck. Under typical operating conditions 22 ampere-turns are required for maximum rotation of 5°. Both coils have 850 turns. This means that a current of max. 12,5 mA per coil is required which can be obtained by using a 12 V supply when the coils are connected in series or a 6 V supply when they are in parallel.

**Connecting the coils**

The coils have been connected to 8 solder tags according to Fig. 10.

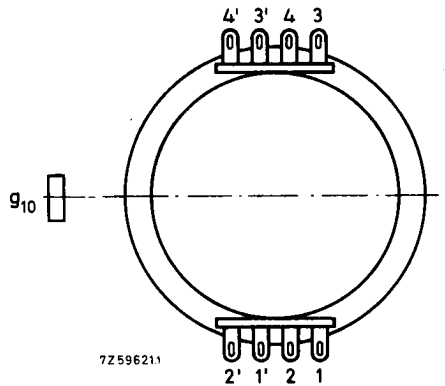


Fig. 10 Bottom view.

With L3 and L4 connected in series according to Fig. 11 a current in the direction indicated will produce a clockwise rotation of the vertical trace and an anti-clockwise rotation of the horizontal trace.

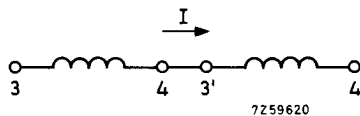


Fig. 11.

**OPERATING NOTES****Modes of operation***Store mode*

- a. Dynamic erasure (variable persistence)

Dynamic erasure can be achieved by applying erasing pulses of positive polarity to the backing electrode. The pulse amplitude required is approximately 9V ( $< 15$  V) and the persistence of a stored display can be controlled by varying the duty factor of these pulses.

- b. Static erasure.

If no dynamic erasing pulses are applied, the storage time is limited by the potential shift of the storage layer due to landing of positive ions. In order to erase a stored display, the backing electrode should first be connected to the collector electrode voltage and then returned to its original potential for about 100 ms; after that, an erasing pulse of positive polarity and a duration of not less than 300 ms should be applied. For the adjustment of the amplitude of this pulse see Procedure of adjustment.

*Non-store mode*

For non-store operation, it is sufficient to make the backing electrode about 35 V negative with respect to the viewing gun cathodes. The viewing guns should not be switched off in this mode of operation since slight variations in raster geometry and deflection sensitivity might otherwise be caused. Care should be taken, especially when switching from store mode to non-store mode, that excessive writing beam current is avoided, as otherwise the storage layer may be damaged.

**Procedure of adjustment**

- a. Adjust the cathode current of each viewing gun to 0,4 mA by means of its control grid voltage.
- b. Adjustment of the erasing pulse amplitude (static erasure)

The pulse amplitude should be just sufficient to suppress any background illumination at the centre of the display area ( this adjustment should be done under low ambient light conditions). Data on storage time and maximum writing speed are based on erasure to "just black". A larger pulse amplitude (erasure to "blacker than black") yields a longer storage time at the expense of maximum writing speed. On the other hand, writing speed can be increased if some background illumination is tolerated. To erase to "just black" the amplitude of this pulse is approximately 9 V.

- c. Adjustment of the collimator voltage

With dynamic erasing pulses applied and a persistence control setting that yields a convenient background illumination intensity, the collimator voltage is adjusted for optimum background uniformity. This voltage will be approximately 80 V with respect to the viewing gun cathode potential. If this voltage is too high or too low, there is a decrease of intensity at the four corners or at the centres of the vertical edges of the display area respectively. For a good erasure of the display, the collimator voltage should be as low as possible.

## INSTRUMENT CATHODE-RAY TUBE

14 cm-diagonal rectangular flat-faced direct-view storage tube with split-beam writing gun, variable persistence and internal graticule, intended for oscilloscope applications.

### QUICK REFERENCE DATA

Final accelerator voltage	$V_{g10} (\ell)$	8,5 kV
Useful scan (10 x 8 divisions of 9 mm)		90 x 72 mm
Deflection coefficient		
horizontal	$M_x$	9,5 V/div
vertical, system 1	$M_{y'}$	8,5 V/div
vertical, system 2	$M_{y''}$	8,5 V/div
Overlap of the systems		100 %
Writing speed		1,25 div/ $\mu$ s

### OPTICAL DATA

Screen	metal-backed phosphor	
type	GH, colour green	
persistence, non-store mode	medium short	
persistence, store mode	variable	
Useful screen dimensions	min.	90 x 72 mm
Useful scan		
horizontal	min.	90 mm
vertical (each system)	min.	72 mm
overlap		100 %
Spot eccentricity		
in horizontal direction	max.	6 mm
in vertical direction	max.	9 mm

The scanned raster can be aligned with the internal graticule by means of correction coils fitted around the tube by the manufacturer.

### HEATING

#### Writing section

Indirect by AC or DC; parallel supply

Heater voltage	$V_f$	6,3 V
Heater current	$I_f$	300 mA

#### Viewing section

Indirect by DC; parallel supply

Heater voltage	$V_{f'}$	6,3 V
Heater current	$I_{f'}$	300 mA
Heater voltage	$V_{f''}$	6,3 V
Heater current	$I_{f''}$	300 mA

**MECHANICAL DATA****Mounting position**

The tube should not be supported by the base alone and under no circumstances should the socket be allowed to support the tube. The tags near the screen should not be subjected to mechanical stress.

**Net mass** approx. 1,1 kg  
**Base** 14 pin, all glass

**Dimensions and connections**

See also outline drawing

**Overall length (socket included)** max. 445 mm  
**Face dimensions** max. 100 x 120 mm

**Accessories**

**Socket (supplied with tube)** type 55566  
**Side contact connector (16 required)** type 55561  
**Small ball contact connector (3 required)** type 4022 102 21590

**FOCUSING**

electrostatic

**DEFLECTION**

double electrostatic

x-plates

symmetrical

y-plates

symmetrical

If use is made of the full deflection capabilities of the tube, the deflection plates will block part of the electron beams, hence a low impedance deflection plate drive is desirable.

**Angle between x and y traces, each beam** 90°

**Angle between x-trace and x-axis of the internal graticule** 0°

**Angle between corresponding y-traces at the centre of the screen** max. 45'

**CAPACITANCES****Writing section**

$x_1$ to all other elements except $x_2$	$C_{x1(x2)}$	6,5 pF
$x_2$ to all other elements except $x_1$	$C_{x2(x1)}$	6,5 pF
$y_1'$ to all other elements except $y_2'$	$C_{y1'(y2')}$	5 pF
$y_2'$ to all other elements except $y_1''$	$C_{y2'(y1'')}$	6 pF
$y_1''$ to all other elements except $y_2''$	$C_{y1''(y2'')}$	6 pF
$y_2''$ to all other elements except $y_1''$	$C_{y2''(y1'')}$	5 pF
$x_1$ to $x_2$	$C_{x1 x2}$	2,5 pF
$y_1'$ to $y_2'$	$C_{y1'y2'}$	0,6 pF
$y_1''$ to $y_2''$	$C_{y1''y2''}$	0,6 pF
$g_1$ to all other elements	$C_{g1}$	5,5 pF
$k$ to all other elements	$C_k$	4,5 pF

**Viewing section**

$g_1'$ to all other elements	$C_{g1'}$	5,5 pF
$g_1''$ to all other elements	$C_{g1''}$	5,5 pF
$k'$ to all other elements	$C_{k'}$	5 pF
$k''$ to all other elements	$C_{k''}$	5 pF
$g_7$ to all other elements	$C_{g7}$	45 pF
$g_9$ to all other elements	$C_{g9}$	75 pF



DIMENSIONS AND CONNECTIONS

Dimensions in mm

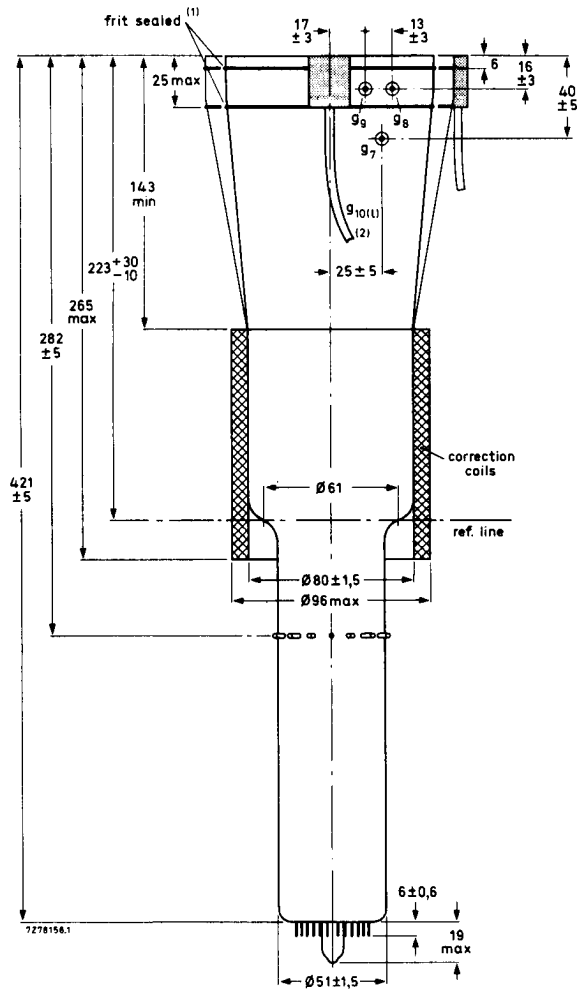


Fig. 1 Outlines.

(1) The bulge at the frit seal may increase the indicated maximum dimensions (Fig. 3) by not more than 3 mm.

(2) Minimum length of cable: 420 mm.

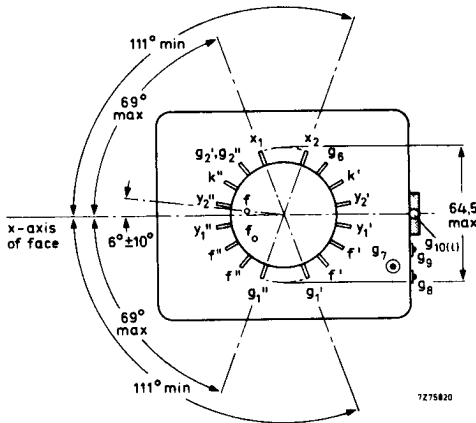


Fig. 2 Bottom view and side-contact arrangement.

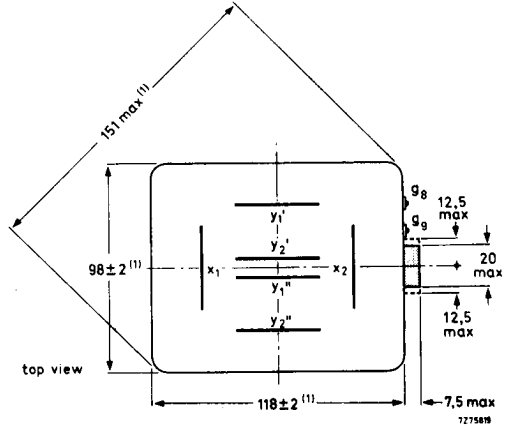


Fig. 3 Top view.

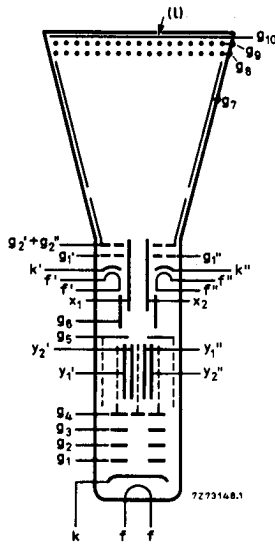


Fig. 4 Electrode configuration.

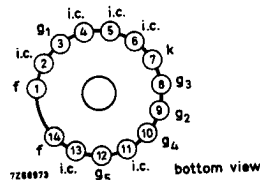


Fig. 5 Pin arrangement; bottom view.

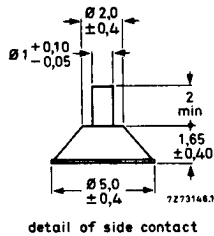


Fig. 6 Detail of side contact.

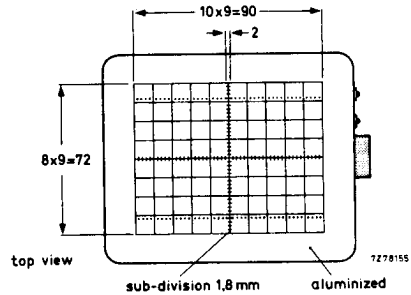


Fig. 7 Internal graticule.

Colour: brown-black;  
line width: 0,15 mm;  
dot diameter: 0,3 mm.

## TYPICAL OPERATION

## Conditions

*Writing section* (voltages with respect to writing gun cathode k)

Final accelerator voltage	$V_{g10(l)}$	8500 V	note 1
Geometry control electrode voltage	$V_{g6}$	$1500 \pm 100$ V	
Deflection plate shield voltage	$V_{g5}$	1500 V	note 2
Astigmatism control electrode voltage	$V_{g4}$	$1500 \pm 75$ V	
Focusing electrode voltage	$V_{g3}$	400 to 650 V	
First accelerator voltage	$V_{g2}$	1500 V	
Control grid voltage for visual extinction of focused spot	$V_{g1}$	-40 to -80 V	

*Viewing section* (voltages with respect to viewing gun cathode k' and k'')

Final accelerator voltage	$V_{g10(l)}$	7050 V	note 1
Backing electrode voltage, storage operation	$V_{g9}$	1 V	
non-storage operation	$V_{g9}$	-35 V	
Collector voltage	$V_{g8}$	150 V	
Collimator voltage	$V_{g7}$	30 to 120 V	note 3
First accelerator voltage	$V_{g2'}, V_{g2''}$	50 V	note 4
Control grid voltage for cut-off	$V_{g1'}, V_{g1''}$	-30 to -70 V	
Cathode current (each viewing gun)	$I_{k'}, I_{k''}$	0,4 mA	

## Performance

Useful scan			
horizontal		min. 90 mm	
vertical		min. 72 mm	
Deflection coefficient			
horizontal	$M_x$	9,5 V/div max. 10,5 V/div	
vertical, system 1	$M_{y'}$	8,5 V/div max. 9,5 V/div	
vertical, system 2	$M_{y''}$	8,5 V/div max. 9,5 V/div	
Line width at the centre of the screen	l.w.	0,40 mm	note 5
Writing speed in store mode		greater than 125 div/ms	note 6
Storage time		greater than 1,5 min	note 7
Deviation of linearity of deflection		max. 2 %	note 8
Geometry distortion		see note 9	
Grid drive for 5 $\mu$ A beam current, per system		approx. 30 V	

**LIMITING VALUES** (Absolute maximum rating system)**Writing section** (voltages with respect to writing gun cathode k)

Final accelerator voltage	$V_{g10(\ell)}$	max.	9500 V
		min.	7000 V
Geometry control electrode voltage	$V_{g6}$	max.	2100 V
Deflection plate shield voltage	$V_{g5}$	max.	2000 V
		max.	2100 V
		min.	1200 V
Astigmatism control electrode voltage	$V_{g4}$	max.	1000 V
Focusing electrode voltage	$V_{g3}$	max.	2000 V
First accelerator voltage	$V_{g2}$	min.	1250 V
Control grid voltage			
positive	$V_{g1}$	max.	0 V
negative	$-V_{g1}$	max.	200 V
Cathode to heater voltage			
positive	$V_{kf}$	max.	125 V
negative	$-V_{kf}$	max.	125 V
Voltage between astigmatism control electrode and any deflection plate	$V_{g4/x}$ $V_{g4/y}$	max.	500 V
		max.	500 V
Average grid drive		max.	30 V

**Viewing section** (voltages with respect to viewing gun cathodes k' and k'' unless otherwise specified)

Final accelerator voltage	$V_{g10(\ell)}$	max.	8000 V
		min.	5500 V
Backing electrode voltage, storage operation	$V_{g9}$	max.	5 V
		min.	0 V
non-storage operation	$-V_{g9}$	max.	50 V
		min.	25 V
Collector voltage	$V_{g8}$	max.	180 V
		min.	120 V
Collimator voltage	$V_{g7}$	max.	200 V
		min.	0 V
First accelerator voltage	$V_{g2'}, V_{g2''}$	max.	60 V
		min.	40 V
Cathode to heater voltage			
positive	$V_{k'f}, V_{k''f''}$	max.	125 V
negative	$-V_{k'f}, -V_{k''f''}$	max.	125 V
Control grid voltage			
positive	$V_{g1'}, V_{g1''}$	max.	0 V
negative	$-V_{g1'}, -V_{g1''}$	max.	200 V

## NOTES

1. These values are valid at cut-off of both viewing (flood) guns and the writing gun. The H.T. unit must be capable of supplying 0,5 mA. To protect the tube against excessive surge current during erasure, an adequately dimensioned RC-network must be connected in series with the screen terminal lead (Fig. 8).

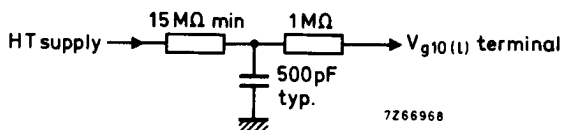


Fig. 8.

2. This voltage should be equal to the mean y-plate potential. The mean x and y-plate potentials should be equal for optimum spot quality.
3. The collimator electrode voltage should be adjusted for optimum uniformity of background illumination.
4. The voltage  $V_{g2'}$ ,  $V_{g2''}$  should be equal to the mean x-plate potential.
5. Measured with the shrinking raster method in the centre of the screen under typical operating conditions, adjusted for optimum spot size at a beam current  $I_b = 5 \mu A$  per system (measured against x-plates).
6. The writing speed is defined as the maximum speed at which a written trace is just visible, starting from a background which is just black. The indicated value is guaranteed for the total graticule area, with the exception of maximum 5% in each corner. The writing speed can be increased to approx. 1,25 div/ $\mu s$  if some background is tolerated.
7. The storage time is defined as the time required for the brightness of the unwritten background to rise from just zero brightness (viewing-beam cut-off) to 10% of saturated brightness. At reduced intensity (by pulsing the flood beams) the storage time can be increased.
8. The sensitivity at a deflection less than 75% of the useful scan will not differ from the sensitivity at a deflection of 25% of the useful scan by more than the indicated value.
9. A graticule, consisting of concentric rectangles of 88 mm x 70 mm and 84,8 mm x 67,6 mm is aligned with the electrical x-axis of the tube. With optimum corrections applied, a raster will fall between these rectangles.

## CORRECTION COILS

## General

The L14-131GH/55 is provided with a coil unit (see Fig. 9) consisting of:

1. A pair of coils L3 and L4 which enable the angle between the x and y-traces at the centre of the screen to be made exactly  $90^\circ$  (orthogonality correction).
2. A pair of coils L1 and L2 for image rotation which enable the alignment of the x-trace with the x-lines of the graticule.

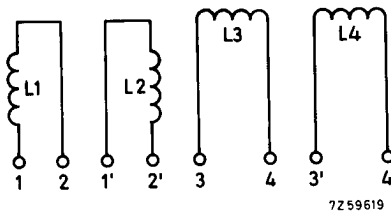


Fig. 9 Diagram of coil unit.

**Orthogonality (coils L3 and L4)**

The current required under typical operating conditions without a mu-metal shield being used is max. 20 mA for complete correction of orthogonality. It will be 30% to 50% lower with shield, depending on the shield diameter. The resistance of the coil is approx. 225  $\Omega$ .

**Image rotation (coils L1 and L2)**

The image rotation coils are wound concentrically around to the tube neck. Under typical operating conditions 22 ampere-turns are required for maximum rotation of 5°. Both coils have 850 turns. This means that a current of max. 12,5 mA per coil is required which can be obtained by using a 12 V supply when the coils are connected in series or a 6 V supply when they are in parallel.

**Connecting the coils**

The coils have been connected to 8 solder tags according to Fig. 10.

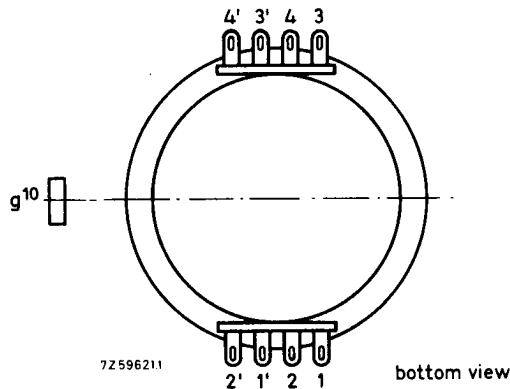


Fig. 10 Bottom view.

With L3 and L4 connected in series according to Fig. 11 a current in the direction indicated will produce a clockwise rotation of the vertical trace and an anti-clockwise rotation of the horizontal trace.

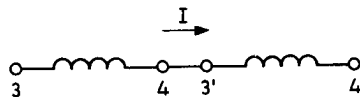


Fig. 11.

## BEAM CENTRING MAGNET

Inherent to the split-beam system a slight difference between the two beam currents can occur after splitting, resulting in different intensities of the two traces. In order to equalize the beam currents, a beam centring magnet should be mounted near the base of the gun and adjusted for the required field direction and field strength.

## OPERATING NOTES

### Modes of operation

#### *Store mode*

- a. Dynamic erasure (variable persistence).

Dynamic erasure can be achieved by applying erasing pulses of positive polarity to the backing electrode. The pulse amplitude required is approximately 9 V ( $< 15$  V) and the persistence of a stored display can be controlled by varying the duty factor of these pulses.

- b. Static erasure.

If no dynamic erasing pulses are applied, the storage time is limited by the potential shift of the storage layer due to landing of positive ions. In order to erase a stored display, the backing electrode should first be connected to the collector electrode voltage and then returned to its original potential for about 100 ms; after that, an erasing pulse of positive polarity and a duration of not less than 300 ms should be applied. For the adjustment of the amplitude of this pulse see Procedure of adjustment.

#### *Non-store mode*

For non-store operation, it is sufficient to make the backing electrode about 35 V negative with respect to the viewing gun cathodes. The viewing guns should not be switched off in this mode of operation since slight variations in raster geometry and deflection sensitivity might otherwise be caused. Care should be taken, especially when switching from store mode to non-store mode, that excessive writing beam current is avoided, as otherwise the storage layer may be damaged.

### Procedure of adjustment

- a. Adjust the cathode current of each viewing gun to 0,4 mA by means of its control grid voltage.
- b. Adjustment of the erasing pulse amplitude (static erasure)

The pulse amplitude should be just sufficient to suppress any background illumination at the centre of the display area (this adjustment should be done under low ambient light conditions). Data on storage time and maximum writing speed are based on erasure to "just black". A larger pulse amplitude (erasure to "blacker than black") yields a longer storage time at the expense of maximum writing speed. On the other hand, writing speed can be increased if some background illumination is tolerated. To erase to "just black" the amplitude of this pulse is approximately 9 V.

- c. Adjustment of the collimator voltage.

With dynamic erasing pulses applied and a persistence control setting that yields a convenient background illumination intensity, the collimator voltage is adjusted for optimum background uniformity. This voltage will be approximately 80 V with respect to the viewing gun cathode potential. If this voltage will be approximately 80 V with respect to the viewing gun cathode potential. If this voltage is too high or too low, there is a decrease of intensity at the four corners or at the centres of the vertical edges of the display area respectively.

## INSTRUMENT CATHODE-RAY TUBE

14 cm diagonal, rectangular flat-faced direct-view charge transfer storage tube with internal graticule. The tube has vertical scan-magnification with 3 quadrupole lenses and is for wide-band (100 MHz) oscilloscopy with fast store mode and variable persistence.

### QUICK REFERENCE DATA

Final accelerator voltage	$V_{g13(l)}$	10 kV
Minimum useful scan area		90 mm x 72 mm
Deflection coefficient		
horizontal	$M_x$	18,5 V/div
vertical	$M_y$	4,8 V/div
Writing speed		1 div/ns

### OPTICAL DATA

Screen	metal backed phosphor	
type	GH, colour green	
persistence, non-store mode	medium-short	
persistence, store mode	variable	
Useful screen area		min. 90 mm x 72 mm
Useful scan area		min. 90 mm x 72 mm
Spot eccentricity		
in horizontal direction	max.	6 mm
in vertical direction	max.	8 mm
Internal graticule	type 95; see Fig. 6	

### HEATING

#### Writing section

Indirect by a.c. or d.c.\*

Heater voltage	$V_f$	6,3 V
Heater current	$I_f$	240 mA
Heating time to attain 10% of the cathode current at equilibrium conditions		approx. 5 s

#### Viewing section

Indirect by d.c.\*

Heater voltage	$V_{FGf}$	12,6 V
Heater current	$I_{FGf}$	240 mA
Heating time to attain 10% of the cathode current at equilibrium conditions		approx. 5 s

\* Not to be connected in series with other tubes.



**MECHANICAL DATA****Mounting position**

The tube can be mounted in any position. It should not be supported by the base alone or near the base region, and under no circumstances should the socket be allowed to support the tube. The tags near the screen should not be subjected to mechanical stress. Avoid any force on the side contacts.

<b>Net mass</b>	approx.	1,3 kg
<b>Base</b>	14 pin, all glass	
<b>Dimensions and connections (see also outline drawing)</b>		
Overall length (socket included)	max.	454 mm
Faceplate dimensions	118 ± 0,5 mm x 98 ± 0,5 mm	
<b>Accessories</b>		
Socket (supplied with tube)	type	55572
Side contact connector (8 required)	type	55561
Small ball contact connected (6 required)	type	4022 102 21590

<b>FOCUSING</b>	electrostatic	note 1
-----------------	---------------	--------

<b>DEFLECTION</b>	double electrostatic	
x-plates	symmetrical	
y-plates	symmetrical	
Angle between x and y-traces	90 ± 1°	
Angle between y-trace and y-axis of the internal graticule	< 5°	note 2

**NOTES**

1. Because of the use of a quadrupole lens for the magnification of the vertical deflection, two more quadrupole lenses are used for focusing. Therefore, controls for two voltages have to be provided.
2. The tube has a rotation coil, concentrically wound around the tube neck, to allow alignment of the y-trace with the mechanical y-axis of the screen. The coil has 2000 turns and a maximum resistance of 650 Ω. Under typical operating conditions, a maximum of 30 ampere-turns is required for the maximum rotation of 5°. This means the required supply is 15 mA maximum at 12 V maximum.

## CAPACITANCES

$x_1$ to all other elements except $x_2$	$C_{x1(x2)}$	5,5 pF
$x_2$ to all other elements except $x_1$	$C_{x2(x1)}$	5,5 pF
$y_1$ to all other elements except $y_2$	$C_{y1(y2)}$	2,7 pF
$y_2$ to all other elements except $y_1$	$C_{y2(y1)}$	2,7 pF
$x_1$ to $x_2$	$C_{x1x2}$	3 pF
$y_1$ to $y_2$	$C_{y1y2}$	1,7 pF
$g_1$ to all other elements	$C_{g1}$	7 pF
$k$ to all other elements	$C_k$	5 pF
$g_{11}$ to all other elements	$C_{g11}$	80 pF
$g_{12}$ to all other elements	$C_{g12}$	70 pF
$g_{13}$ to all other elements	$C_{g13}$	85 pF
$g_3$ to all other elements	$C_{g3}$	17 pF
$g_5$ to all other elements	$C_{g5}$	17 pF
$g_{9-1}$ to all other elements	$C_{g9-1}$	30 pF
$g_{9-2}$ to all other elements	$C_{g9-2}$	70 pF
$g_{9-3}$ to all other elements	$C_{g9-3}$	60 pF
FGA to all other elements	$C_{FGA}$	20 pF
$k'$ , $k''$ to all other elements	$C_{k', k''}$	12 pF

DIMENSIONS AND CONNECTIONS

Dimensions in mm

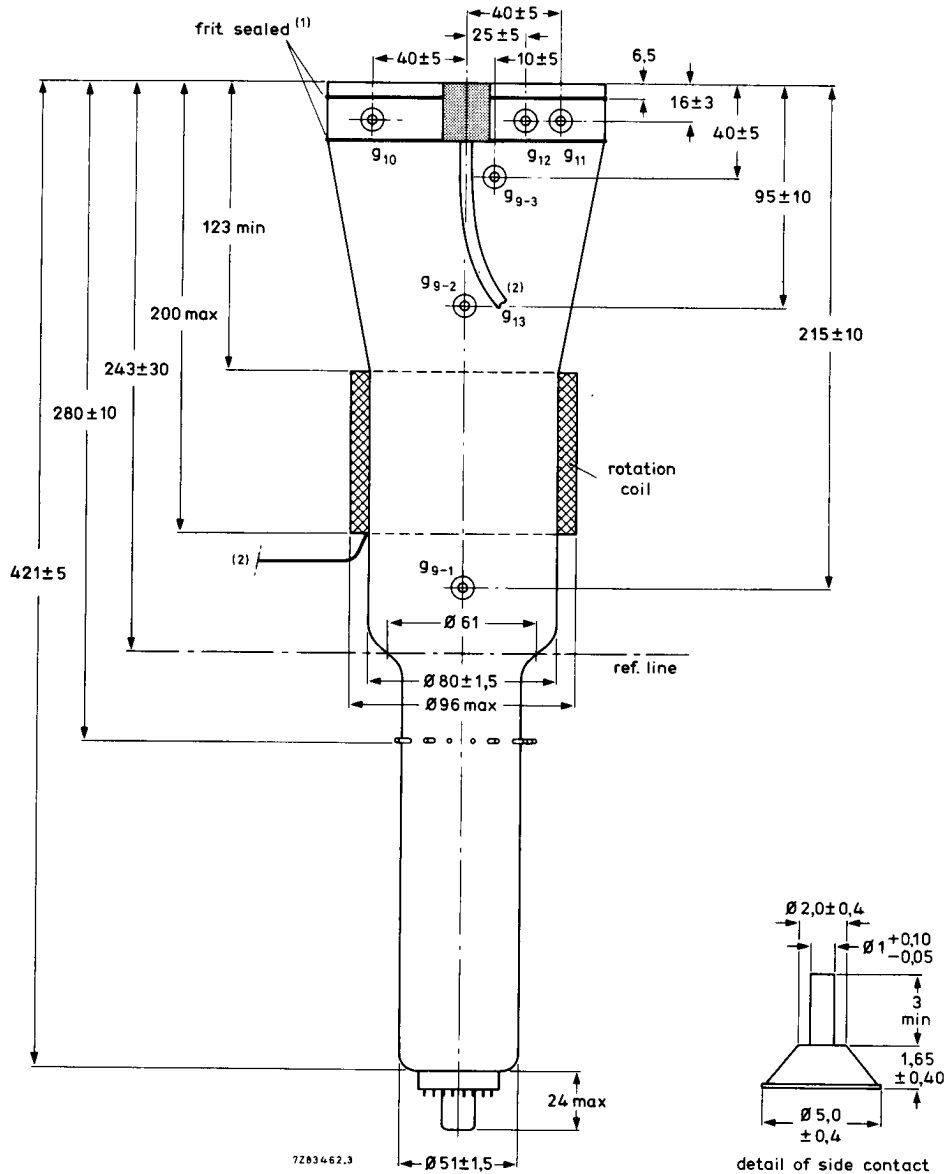


Fig. 1 Outlines

- (1) Dimensions of faceplate only. The bulge at the frit seal may increase the indicated maximum dimensions by not more than 3 mm.
- (2) Minimum length of cable: 350 mm.

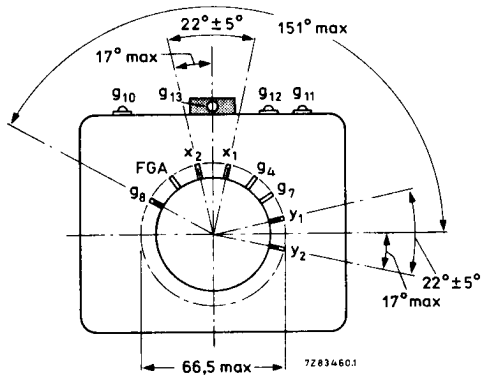


Fig. 2 Bottom view and side-contact arrangement.

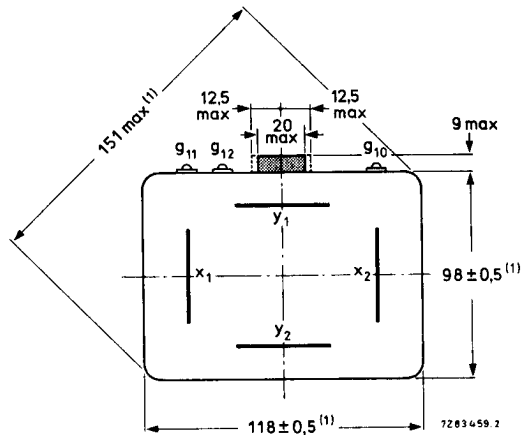


Fig. 3 Top view. For note (1) see opposite page.

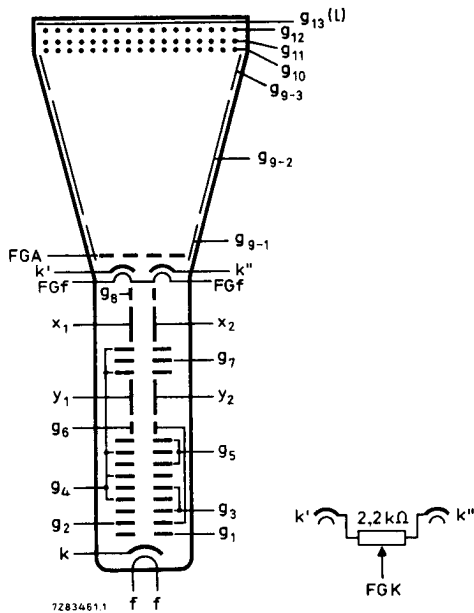


Fig. 4 Electrode configuration.

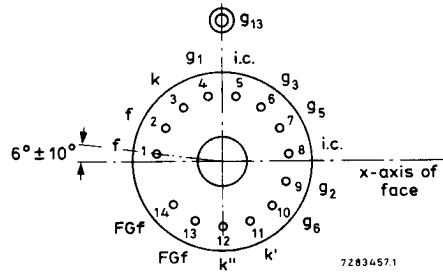


Fig. 5 Pin arrangement; bottom view.

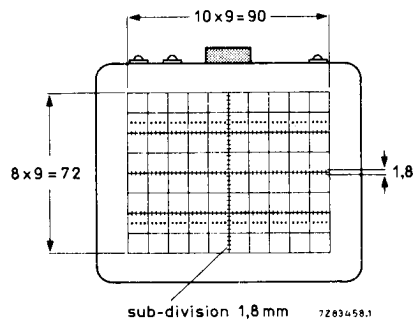


Fig. 6 Internal graticule  
 colour of graticule: brown-black;  
 line width : 0,2 mm;  
 dot diameter : 0,4 mm.

**TYPICAL OPERATION** (for notes see next pages)**Conditions**

*Writing section* (voltages with respect to writing gun cathode k, unless otherwise stated for optimum scan magnification  $\approx 1,8$ ).

Final accelerator voltage	$V_{g13(l)}$	10 000 V	note 1
Geometry control voltage	$V_{g8}$	$3000 \pm 100$ V	
Scan magnifier electrode voltage (with respect to $g_2$ )	$V_{g7}$	-600 V	
Horizontal alignment electrode voltage (with respect to $g_2$ )	$V_{g6}$	$\pm 100$ V	note 2
Vertical focusing electrode voltage (with respect to $g_2$ )	$V_{g5}$	-860 to -1100 V	
Correction electrode voltage (with respect to $g_2$ )	$V_{g4}$	200 V	note 3
Horizontal focusing electrode voltage (with respect to $g_2$ )	$V_{g3}$	-1300 to -1650 V	
First accelerator voltage	$V_{g2}$	3000 V	
Cut-off voltage for visual extinction of focused spot	$-V_{g1}$	75 to 130 V	

*Viewing section* (voltages with respect to viewing gun cathode FGK, Fig. 4)

		non- store mode	variable persist- ance mode	fast- store mode	
Final accelerator voltage (with respect to first accelerator FGA)	$V_{g13(l)}$	7000 V	7000 V	7000 V	note 1
Backing electrode voltages (d.c.)					
front mesh	$V_{g12}$	-50 V			note 4
fast mesh	$V_{g11}$	140 V	140 V	140 V	
Collector mesh voltage (d.c.)	$V_{g10}$	130 V	130 V	130 V	
Collimator voltage (d.c.)					
C3	$V_{g9-3}$	65 V	65 V	65 V	
C2	$V_{g9-2}$	$\approx 65$ V	65 V	65 V	
C1	$V_{g9-1}$	30 V	30 V	30 V	
First accelerator voltage (d.c.)	$V_{FGA}$	20 V	20 V	20 V	
Flood gun cathode voltage (d.c.)	$V_{FGK}$	0 V	0 V	0 V	

The first accelerator voltage should be equal to the mean x-plate potential.

**Performance**

Useful scan area		min. 90 mm x 72 mm
Deflection coefficient		
horizontal	$M_x$	typ. 18,5 V/div max. 20,5 V/div
vertical	$M_y$	typ. 4,8 V/div max. 5,5 V/div

Deviation of deflection linearity		max.	2 %	note 5
Geometry distortion				see note 6
Grid drive for 10 $\mu\text{A}$ beam current	$V_d$	approx.	20 V	
Grid drive for specified writing speed	$V_d$	max.	80 V	
Line width at the centre of the screen	l.w.		0,4 mm	note 7

**Writing speed (note 8)**

## Variable persistence mode

just black:  $\geq 250$  div/msmax. write:  $\geq 2,5$  div/ $\mu\text{s}$ 

## Fast-store mode

max. write:  $\geq 1$  div/ns**Storage viewing time (note 9)**

## Variable persistence mode

just black:  $\geq 60$  smax. write:  $\geq 15$  s

## Fast-store mode

max. write:  $\geq 15$  s**NOTES**

1. These values are valid at cut-off of both flood guns and the writing gun. The H.T. unit must be capable of supplying 0,5 mA. To protect the tube against excessive surge current during erasure, an RC-network as shown in Fig. 7 must be connected in series with the screen terminal lead; the resistance of 15 to 20 M $\Omega$  includes the internal resistance of the H.T. supply.

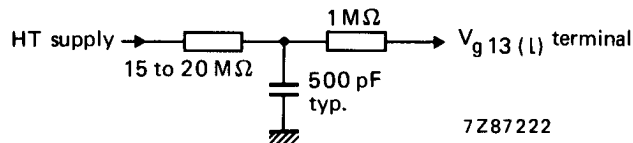


Fig. 7.

2. This voltage should be adjusted for equal brightness in the x-direction with respect to the electrical centre of the tube.
3. For minimum defocusing of vertical lines near the upper and lower edges of the scanned area this voltage should be the value indicated.
4. The indicated values concern the d.c. levels; during the erasing, preparing and transferring operation these electrodes are pulsed.
5. The sensitivity at a deflection less than 75% of the useful scan will not differ from the sensitivity at a deflection of 25% of the useful scan by more than the indicated value.
6. A graticule, consisting of concentric rectangles of 90 mm x 72 mm and 87,8 mm x 70,5 mm is aligned with the electrical x-axis of the tube. With optimum corrections applied, a raster will fall between these rectangles.
7. Measured with the shrinking raster method in the centre of the screen under typical operating conditions, adjusted for optimum spot size at a beam current  $I_b = 10 \mu\text{A}$  (measured against x-plates).

NOTES (continued)

8. The writing speed is defined as the maximum speed at which a written trace is just visible starting from a background which is just black. The indicated value is guaranteed for the central 80% of the minimum screen area, except the outmost 3 mm of the screen. However, in any corner not more than 4 square divisions fall outside the guaranteed area. The writing speed can be increased, if some background is tolerated. Within the same area, a trace, written with the indicated value of max. write, remains just visible within the indicated storage time of max. write.

The writing speed in max. write, with background, is defined as the maximum speed at which the written trace remains just visible within the indicated storage time.

9. The storage time in just black mode is defined as the time required for the brightness of the unwritten background to rise from zero brightness (viewing beam cut-off) to 10% of saturated brightness. At reduced intensity (by pulsing the flood beams) the storage time can be increased.

The storage time in max. write and fast is related to the writing speed.

**LIMITING VALUES** (absolute maximum rating system)*Writing section* (Voltages with respect to writing gun cathode k, unless otherwise stated)

Final accelerator voltage	$V_{g13(I)}$	max. 10500 V min. 8500 V
Geometry control voltage (with respect to $g_2$ )	$V_{g8}$	max. 500 V min. -500 V
Scan magnifier electrode voltage (with respect to $g_2$ )	$V_{g7}$	max. 550 V min. -700 V
Horizontal alignment electrode voltage (with respect to $g_2$ )	$V_{g6}$	max. 500 V min. -500 V
Vertical focusing electrode voltage (with respect to $g_2$ )	$V_{g5}$	max. -750 V min. -1200 V
Correction electrode voltage (with respect to $g_2$ )	$V_{g4}$	max. 500 V min. 0 V
Horizontal focusing electrode voltage (with respect to $g_2$ )	$V_{g3}$	max. -1200 V min. -1800 V
First accelerator voltage	$V_{g2}$	max. 3500 V min. 2500 V
Control grid voltage positive	$V_{g1}$	max. 0 V
negative	$-V_{g1}$	max. 200 V
Cathode to heater voltage positive	$V_{kf}$	max. 125 V
negative	$-V_{kf}$	max. 125 V
Voltage between correction electrode and any deflection plate	$V_{g4/x}$ $V_{g4/y}$	max. 500 V max. 500 V
Grid drive, averaged over 1 ms	$V_d$	max. 30 V

*Viewing section* (voltages with respect to viewing gun cathode FGK)

Screen voltage	$V_{g13(I)}$	max. 7500 V min. 5500 V
Backing electrode voltage (d.c.) front mesh	$V_{g12}$	max. 600 V min. -50 V
fast mesh	$V_{g11}$	max. 200 V min. -50 V
Collector mesh voltage (d.c./a.c.)	$V_{g10}$	max. 200 V min. 100 V
Collimator voltages (d.c./a.c.)	$V_{g9-1; 9-2; 9-3}$	max. 150 V min. 0 V
First accelerator voltage	$V_{FGA}$	max. 100 V min. 0 V
Cathode to heater voltage	$V_{k'FGf}, V_{k''FGf}$ $-V_{k'FGf}, -V_{k''FGf}$	max. 125 V max. 125 V



## OPERATING NOTES

### *Scan magnifier*

A scan magnification  $M_{sc} \approx 1,8$  is the best compromise between line width and sensitivity. This is obtained with  $V_{g7} = -600$  V and  $V_{g4} = 200$  V. Performance is tested and specified under this condition and no adjustment will be necessary for individual tubes.

Focusing is separate for horizontal and vertical directions with  $V_{g3}$  and  $V_{g5}$  respectively. Both focus settings may depend on beam current with different steepness. Although both electrodes are positive with respect to cathode, reverse current may result from secondary electrons leaving grid 3 (max. 5  $\mu$ A) and grid 5 (max. 50  $\mu$ A).

Normal current direction from beam interception is to be expected on the horizontal correction electrode  $g_6$  (up to 500  $\mu$ A) and, as usual, on  $g_2$  and deflection plates.

### **Modes of operations**

#### *Non-store mode*

For non-store operation the front mesh  $V_{g12}$  is set to  $-50$  V with respect to FGK.

The viewing guns should not be switched off in this mode of operation since slight variations in raster geometry and deflection sensitivity might otherwise be caused. Care should be taken, especially when switching from store mode to non-store mode, that excessive writing beam current is avoided, as otherwise the storage layer may be damaged.

#### *Variable persistence mode*

The fast mesh is switched off for this operation and used as collector by setting  $V_{g11} = 140$  V.

##### a. Static erasure

If no dynamic erasing pulses are applied the storage time is limited by the potential shift of the storage layer due to landing of positive ions.

In order to erase a stored display,  $V_{g12}$  is increased to 500 V for 100 ms and then returned to its original potential for about 500 ms; after that, an erasing pulse of positive polarity (max. 20 V) and a duration of 600 ms should be applied.

While the erasing pulse amplitude is to be adjusted with zero d.c. level for "just black", the background illumination can be changed – even with a stored signal – by varying the d.c. level for optimum contrast or maximum writing speed.

Background equality can be optimized by balancing the viewing gun cathodes by means of a potentiometer of 2,2 k $\Omega$ , proper collimator adjustment, and by increasing  $V_{FGA}$ .  $V_{g9-1}$  and  $V_{g9-3}$  in positive direction during erasure.

Before first installation, depending on transport conditions, demagnetization of the tube face region may be necessary.

##### b. Dynamic erasure

Dynamic erasure can be achieved by applying extra erasing pulses of positive polarity to the backing electrode of the front mesh ( $g_{12}$ ). The amplitude of these extra pulses is equal to that of the original erasing pulse, the frequency is 120 Hz and the persistence of the display can be controlled by varying the duty factor.

*Fast-store mode*

For erasure in the fast mode the front mesh has to be erased first in the same way as in the variable persistence mode but separate adjustments should be foreseen.

The fast mesh is to be prepared by reducing  $V_{g11}$  from 140 V to the stabilizing level (0 to max. 20 V) during the erasing pulse on the front mesh.

After writing, at the end of the unblanking pulse, a transfer pulse (500 V, 100 ms) is to be applied on the front mesh.

During the transfer pulse,  $V_{g11}$  is further reduced about 1 V for enhanced transmission during transfer. This reduction has to be carefully adjusted for optimum contrast and writing speed.

During the whole cycle, FGA,  $V_{g9-1}$  and  $V_{g9-3}$  may be increased for more viewing gun current. Details on the adjustment procedure and the voltage range to be provided for can be made available.

## INSTRUMENT CATHODE-RAY TUBE

- 14 cm diagonal rectangular flat face
- direct - view storage tube
- internal graticule
- for oscilloscope applications

## QUICK REFERENCE DATA

Final accelerator voltage	$V_{g10(l)}$	8,5 kV
Minimum useful scan area		90 mm x 72 mm
Deflection coefficient		
horizontal	$M_x$	9,5 V/div
vertical	$M_y$	4,1 V/div
Writing speed		2,5 div/ $\mu$ s

## OPTICAL DATA

Screen		metal-backed phosphor
type		GH, colour green
persistence, non-store mode		medium-short
persistence, store mode		variable
Useful screen area		min. 90 mm x 72 mm
Useful scan area		min. 90 mm x 72 mm
Spot eccentricity in horizontal and vertical directions		max. 6 mm
Internal graticule		typ. 95; see Fig. 6

## HEATING

## Writing section

Indirect by AC or DC*		
Heater voltage	$V_f$	6,3 V
Heater current	$I_f$	240 mA
Heating time to attain 10% of the cathode current at equilibrium conditions		approx. 5 s

## Viewing section

Indirect by DC*		
Heater voltage	$V_{FGf}$	12,6 V
Heater current	$I_{FGf}$	240 mA
Heating time to attain 10% of the cathode current at equilibrium conditions		approx. 5 s

\* Not to be connected in series with other tubes.

**MECHANICAL DATA****Dimensions and connections** (see also outline drawings)

Overall length (socket included)	≤ 452 mm
Faceplate dimensions (final accelerator contact excluded)	118 ± 0,5 mm x 98 ± 0,5 mm

**Net mass** approx. 1,3 kg

**Mase** 14 pin, all glass

**Mounting position**

The tube can be mounted in any position. It should not be supported by the base alone or near the base region, and under no circumstances should the socket be allowed to support the tube. The tags near the screen should not be subjected to mechanical stress. Avoid any force on the side contacts.

**Accessories**

Socket (supplied with tube)	type 55566
Side contact connector (7 required)	type 55561
Small ball contact connector (5 required)	type 4022 102 21590

**FOCUSING**

electrostatic

**DEFLECTION**

double electrostatic

x-plates

symmetrical

y-plates

symmetrical

Angle between x and y-traces

90 ± 1°

Angle between x-trace and x-axis  
of the internal graticule

≤ 5°\*

**CAPACITANCES**

x <sub>1</sub> to all other elements except x <sub>2</sub>	C <sub>x1(x2)</sub>	5,5 pF
x <sub>2</sub> to all other elements except x <sub>1</sub>	C <sub>x2(x1)</sub>	5,5 pF
y <sub>1</sub> to all other elements except y <sub>2</sub>	C <sub>y1(y2)</sub>	3,5 pF
y <sub>2</sub> to all other elements except y <sub>1</sub>	C <sub>y2(y1)</sub>	3,5 pF
x <sub>1</sub> to x <sub>2</sub>	C <sub>x1x2</sub>	2,5 pF
y <sub>1</sub> to y <sub>2</sub>	C <sub>y1y2</sub>	2 pF
g <sub>1</sub> to all other elements	C <sub>g1</sub>	6 pF
k to all other elements	C <sub>k</sub>	3,5 pF
g <sub>3</sub> to all other elements	C <sub>g3</sub>	4,5 pF
g <sub>7-1</sub> to all other elements	C <sub>g7-1</sub>	30 pF
g <sub>7-2</sub> to all other elements	C <sub>g7-2</sub>	65 pF
g <sub>7-3</sub> to all other elements	C <sub>g7-3</sub>	60 pF
g <sub>9</sub> to all other elements	C <sub>g9</sub>	60 pF
g <sub>10</sub> to all other elements	C <sub>g10</sub>	80 pF
FGA to all other elements	C <sub>FGA</sub>	15 pF
FGK' to all other elements	C <sub>FGK'</sub>	8 pF
FGK'' to all other elements	C <sub>FGK''</sub>	8 pF

Dimensions in mm

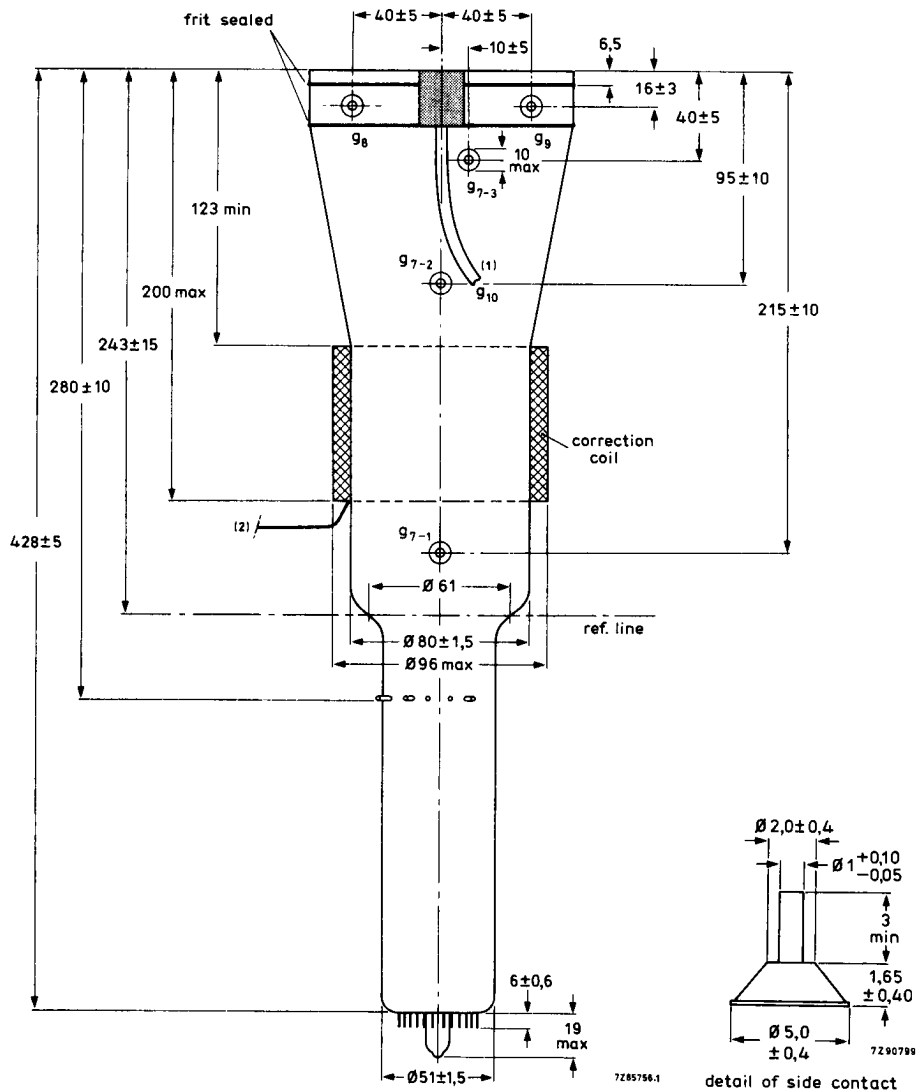


Fig. 1 Outlines.

- (1) Minimum cable length is 420 mm.  
 (2) Minimum length of connecting leads is 350 mm.

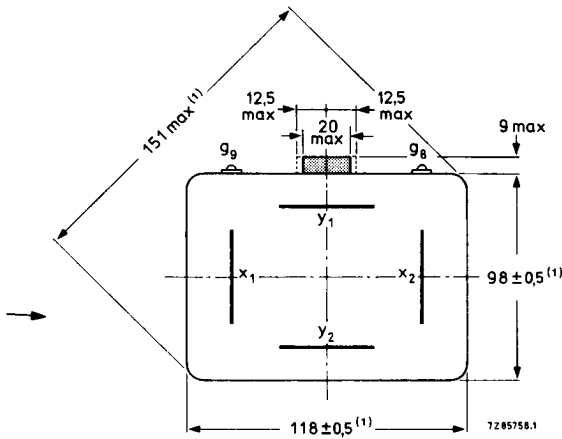


Fig. 2 Top view.

(1) The bulge at the frit seal may increase the indicated maximum dimensions by not more than 3 mm.

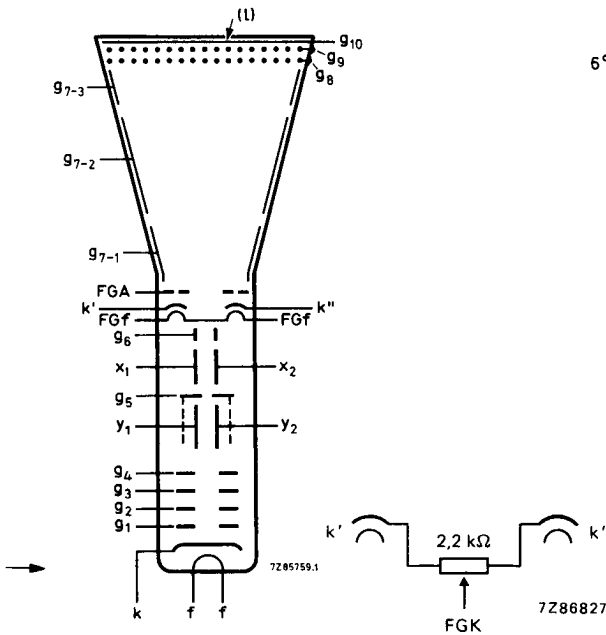


Fig. 4 Electrode configuration.

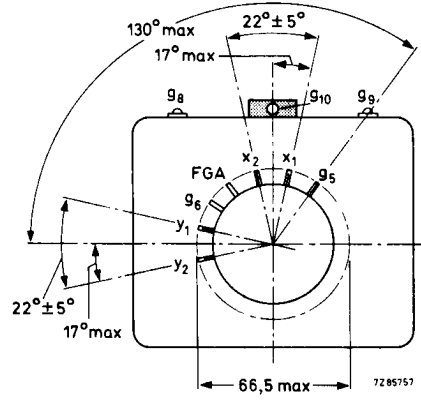


Fig. 3 Bottom view and side-contact arrangement.

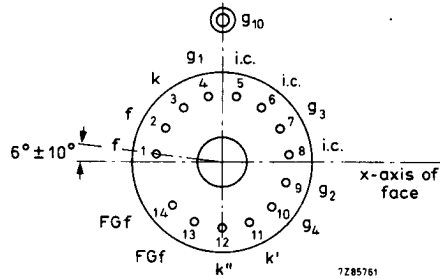


Fig. 5 Pin arrangement; bottom view.

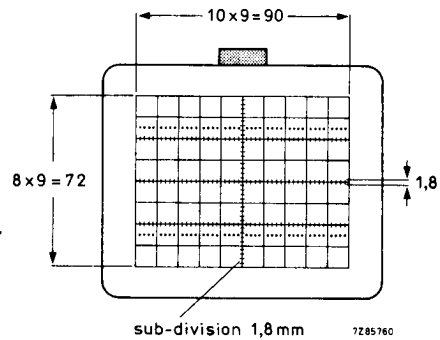


Fig. 6 Internal graticule  
 colour of graticule: black;  
 line width: 0,2 mm;  
 dot diameter: 0,4 mm.

## INTERNAL GRATICULE ALIGNMENT

The internal graticule is aligned with the faceplate by using the faceplate reference points A1, A2 and A3, see Fig. 7.

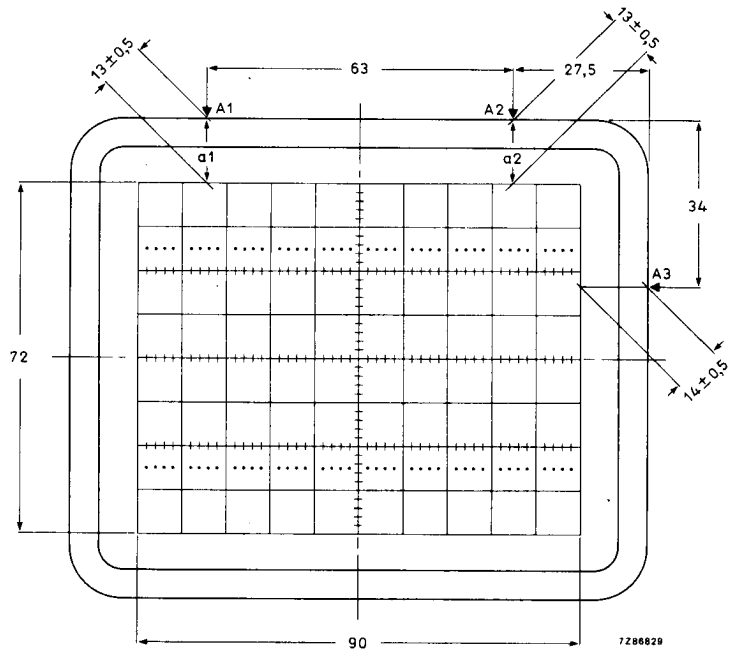


Fig. 7 Front view of tube with internal graticule.  
 $|a1 - a2| \leq 0,3$  mm.

## TYPICAL OPERATION

## Conditions

## Writing section \*

Final accelerator voltage	$V_{g10(\ell)}$	8500 V	see note 1
Geometry control electrode voltage	$V_{g6}$	$1500 \pm 100$ V	
Deflection plate shield voltage	$V_{g5}$	1500 V	see note 2
Astigmatism control electrode voltage	$V_{g4}$	$1500 \pm 50$ V	see note 3
Focusing electrode voltage	$V_{g3}$	400 to 600 V	
First accelerator voltage	$V_{g2}$	1500 V	
Cut-off voltage for visual extinction of focused spot	$-V_{g1}$	45 to 85 V	

\* Above voltages are with respect to writing gun cathode k.

## Viewing section

Refer to Fig. 8 for typical operating values.

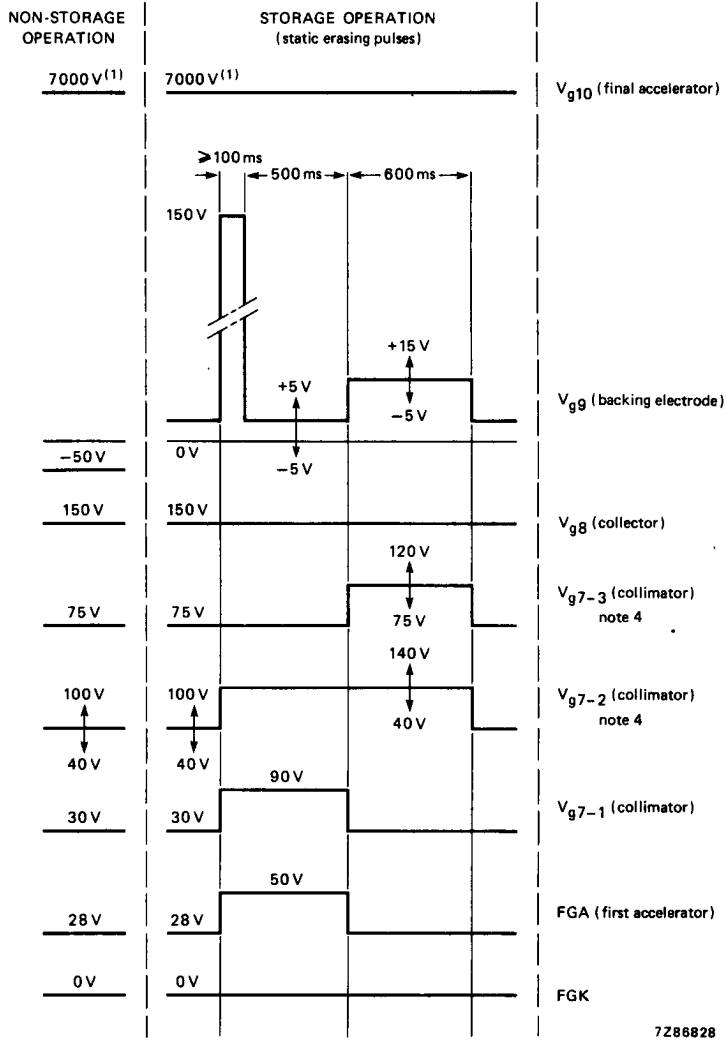


Fig. 8 Diagram of non-storage and storage operation.

(1) With respect to FGA, all other voltages with respect to viewing gun cathode FGK (see Fig. 4 and note 11).



**Performance****Useful scan**

horizontal	min.	90 mm	
vertical	min.	72 mm	

**Deflection coefficient**

horizontal	$M_x$		9,5 V/div
		max.	10,5 V/div
vertical	$M_y$		4,1 V/div
		max.	4,4 V/div

**Line width at the centre of the screen**

l.w.	0,35 mm	see note 5
------	---------	------------

**Writing speed in storage operation**

just black	$\geq$	250 div/ms	} see note 6
max. write	$\geq$	2,5 div/ $\mu$ s	

**Storage viewing time**

just black	$\geq$	90 s	} see note 7
max. write	$\geq$	15 s	

**Deviation of deflection linearity**

max.	2 %	see note 8
------	-----	------------

**Geometry distortion**

see note 9

**Grid drive for 10  $\mu$ A beam current**

$V_d$	approx.	25 V
-------	---------	------

**Grid drive for specified writing speed**

$V_d$	max.	45 V
-------	------	------

**Total cathode current of both viewing guns**

at FGA = 28 V	approx.	1 mA
at FGA = 50 V	approx.	2 mA

**LIMITING VALUES** (Absolute maximum rating system)**Writing section** (voltages with respect to writing gun cathode k)

Final accelerator voltage	$V_{g10(l)}$	max. 9000 V min. 7000 V
Geometry control electrode voltage	$V_{g6}$	max. 2100 V
Deflection plate shield voltage	$V_{g5}$	max. 2000 V
Astigmatism control electrode voltage	$V_{g4}$	max. 2100 V min. 1200 V
Focusing electrode voltage	$V_{g3}$	max. 1000 V
First accelerator voltage	$V_{g2}$	max. 2000 V min. 1250 V
Control grid voltage		
positive	$V_{g1}$	max. 0 V
negative	$-V_{g1}$	max. 200 V
Cathode to heater voltage		
positive	$V_{kf}$	max. 125 V
negative	$-V_{kf}$	max. 125 V
Voltage between astigmatism control electrode and any deflection plate	$V_{g4/x}$ $V_{g4/y}$	max. 500 V max. 500 V
Grid drive, averaged over 1 ms	$V_d$	max. 30 V
Screen dissipation	$W_{\ell}$	max. 8 mW/cm <sup>2</sup>

**Viewing section** (voltages with respect to viewing gun cathode FGK)

Final accelerator voltage	$V_{g10(l)}$	max. 7500 V min. 5500 V
Backing electrode voltage		
storage operation	$V_{g9}$	max. +150 V min. -5 V
non-storage operation	$-V_{g9}$	max. 50 V min. 25 V
Collector voltage	$V_{g8}$	max. 180 V min. 120 V
Collimator voltage	$V_{g7-1}, V_{g7-2}, V_{g7-3}$	max. 200 V min. 0 V
First accelerator voltage	$V_{FGA}$	max. 60 V min. 0 V
Cathode to heater voltage		
positive	$V_{k'FGf}, V_{k''FGf}$	max. 125 V
negative	$-V_{k'FGf}, -V_{k''FGf}$	max. 125 V

## OPERATING NOTES

### Modes of operations

#### *Non-storage mode*

For non-storage operation the front mesh  $V_{gg}$  is set to  $-50$  V with respect to FGK.

The viewing guns should not be switched off in this mode of operation since slight variations in raster geometry and deflection sensitivity might otherwise be caused.

#### *Variable persistence mode*

##### a. Dynamic erasure

Dynamic erasure can be achieved by applying extra erasing pulses of positive polarity to the backing electrode  $V_{gg}$ . The amplitude of these extra pulses is equal to that of the original erasing pulse, the frequency is 120 Hz and the persistence of the display can be controlled by varying the duty factor.

##### b. Static erasure (Fig. 8)

If no dynamic erasing pulses are applied the storage time is limited by the potential shift of the storage layer due to landing of positive ions.

In order to erase a stored display,  $V_{gg}$  is increased to 150 V for 100 ms and then returned to its original potential for about 500 ms; after that, an erasing pulse of positive polarity (max. 15 V) and a duration of 600 ms should be applied.

While the erasing pulse amplitude is to be adjusted with zero d.c. level for "just black", the background illumination can be changed — even with a stored signal — by varying the d.c. level for optimum contrast or maximum writing speed.

Background equality can be optimized by balancing the viewing gun cathodes by means of a potentiometer of 2,2 k $\Omega$ , proper collimator adjustment, and by increasing  $V_{FGA}$ ,  $V_{g7-1}$ ,  $V_{g7-2}$  and  $V_{g7-3}$  in positive direction during erasure.

Before first installation, depending on transport conditions, demagnetization of the tube face region may be necessary.

## NOTES

1. These values are valid at cut-off of both flood guns and the writing gun. The HT unit must be capable of supplying 0,5 mA. To protect the tube against excessive surge current during erasure, an RC network as shown in Fig. 9 must be connected in series with the screen terminal lead; the resistance of 15 to 20 M $\Omega$  includes the internal resistance of the HT supply.

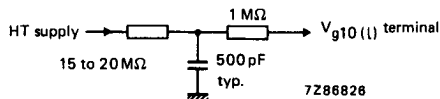


Fig. 9 RC network.

2. This voltage should be equal to the mean y-plate potential. The mean x and y-plate potentials should be equal for optimum spot quality.
3. When putting the tube into operation, the astigmatism control voltage should be adjusted only once for optimum spot size in the screen centre. The control voltage will be within the stated range, provided the conditions of note 2 are adhered to.
4. The collimator electrode voltage  $V_{g7-2}$  and  $V_{g7-3}$  should be adjusted for optimum uniformity of background illumination.
5. Measured with the shrinking raster method in the centre of the screen under typical operating conditions, adjusted for optimum spot size at a beam current  $I_b = 10 \mu A$  (measured on x-plates).
6. The writing speed is defined as the maximum speed at which a written trace is just visible starting from a background which is just black. The indicated value is guaranteed for the central 75% of the minimum screen area, except the outmost 4 mm of the screen. However, in any corner not more than 4 square divisions fall outside the guaranteed area. The writing speed can be increased, if some background is tolerated. Within the same area, a trace, written with the indicated value of max. write, remains just visible within the indicated storage time of max. write.  
The writing speed in max. write, with background, is defined as the maximum speed at which the written trace remains just visible within the indicated storage time.
7. The storage time in just black mode is defined as the time required for the brightness of the unwritten background to rise from zero brightness to 10% of saturated brightness. At reduced intensity (by pulsing the flood beams) the storage time can be increased.  
The storage time in max. write is related to the writing speed.
8. The sensitivity at a deflection less than 75% of the useful scan will not differ from the sensitivity at a deflection of 25% of the useful scan by more than the indicated value.
9. A graticule, consisting of concentric rectangles of 72 mm x 54 mm and 69,8 mm x 52,5 mm is aligned with the electrical x-axis of the tube. With optimum corrections applied, a raster will fall between these rectangles.
10. The tube has a rotation coil, concentrically wound around the tube neck, to allow alignment of the x-trace with the mechanical x-axis of the screen. The coil has 2000 turns and a maximum resistance of 650  $\Omega$ . Under typical operating conditions, a maximum of 20 ampere-turns is required for the maximum rotation of 5°. This means the required supply is 10 mA maximum at 8 V maximum.
11. The d.c. voltage on the first accelerator of the flood guns (FGA) should be equal to the mean x-plate potential.

## MONITOR AND DISPLAY TUBES

## SURVEY OF MONITOR AND DISPLAY TUBES

**PREFERRED TYPES:** recommended for new design.

M17-142WE

M17-143WE

M17-144WE

M17-145WE

M17-220WE

M38-200

M38-201

**MAINTENANCE TYPES:** no longer recommended for equipment production.

M24-100W

M24-101W

M31-130W

M31-131W

**OBSOLESCENT TYPES:** available until present stocks are exhausted.

M17-140W

M17-141W

M38-120W

M38-121W

### SCREENS

Although WA and WE are the standard screens certain applications require screens of a different persistence and/or colour (e.g. GH, GR, GM). Tubes with such screens are supplied to special order.

### BONDED FACEPLATES

Tubes with bonded faceplates are supplied to special order.

## SPECIAL OPTIONS FOR MONITOR AND DISPLAY TUBES

### MONITOR TUBE M31-340 and M38-328

#### HIGH RESOLUTION MONOCHROME DISPLAY TUBES

In addition to the types of phosphor available on the display tubes type M31-340 and M38-328 (see Handbook T16), the following phosphor options are also available:

new system	old system	fluorescent colour	phosphorescent colour	persistence	equivalent JEDEC designation
BE	B	blue	blue	medium short	P11
BF	U	purplish-blue	—	medium short	—
GK	G	yellowish-green	yellowish-green	medium	—
GM	P	purplish-blue	yellowish-green	long	P7
GU	—	white	white	very short	—
GY	—	green	green	medium	P43
LB	P26	orange	orange	very long	—
LC	P12	orange	orange	long	—
SB*	—	yellow-white	yellow-white	medium short	—
WA	—	white	—	—	—
WE	—	white	white	medium short	P45

\* Note: for use with LCD colour shutter.

The phosphor information given in this section is based in general upon the original phosphor registration (TEPAC and/or ELECTRON) and can be used as a selection guide. Slight differences may occur between the actual phosphor properties and the registered data.

Other options, such as special lugs etc., available on request.

## MONITOR TUBE

17 cm diagonal rectangular flat face monitor tube primarily for use as a viewfinder in television cameras. This tube has been replaced by type M17-142WE, which features a 1,5 W cathode (6,3 V/240 mA) with short warm-up time (quick-heating cathode), and an improved phosphor, type WE. The data of M17-140W are equivalent to those of type M17-142WE, except for the following.

## HEATING

Indirect by a.c. or d.c.\*

Heater voltage

$V_f$  6,3 V

Heater current

$I_f$  300 mA

## SCREEN

Phosphor type  
fluorescent colour

W  
white

\* Not to be connected in series with other tubes.



## MONITOR TUBE

17 cm diagonal rectangular flat face monitor tube primarily for use as a viewfinder in television cameras. It has a bonded face plate and a metal mounting band. This tube has been replaced by type M17-143WE, which features a 1,5 W cathode (6,3 V/240 mA) with short warm-up time (quick-heating cathode), and an improved phosphor, type WE.

The data of M17-141W are equivalent to those of type M17-143WE, except for the following.

**HEATING**

Indirect by a.c. or d.c.\*

Heater voltage

$V_f$  6,3 V

Heater current

$I_f$  300 mA

**SCREEN**

Phosphor type  
fluorescent colour

W  
white

\* Not to be connected in series with other tubes.

## MONITOR TUBES

- 17 cm diagonal rectangular flat face
- 70° deflection angle
- high resolution
- quick heating cathode
- M17-142WE: for use in precision monitors and as a viewfinder in television cameras
- M17-144WE: for use in photographic equipment (see Optical Data)

### QUICK REFERENCE DATA

---

Deflection angle, diagonal	70 °
Face diagonal	17 cm
Neck diameter	28 mm
Overall length	max. 234 mm
Screen dimensions	min. 124 mm x 93 mm
Resolution	min. 1050 TV lines

---

**ELECTRICAL DATA**

Capacitances

final accelerator to external conductive coating	$C_{g3,g5(l)/m}$	300 pF
cathode to all other elements	$C_k$	3,6 pF
grid 1 to all other elements	$C_{g1}$	7 pF

Focusing method

electrostatic

Deflection method

magnetic\*

Deflection angle, diagonal

70°

Heating

indirect by AC or DC \*\*

heater voltage

$V_f$  6,3 V

heater current

$I_f$  240 mA

Heating time to attain 10% of the cathode current at equilibrium conditions

approx. 5 s

**OPTICAL DATA**

Screen

metal-backed phosphor

Phosphor type

WE ▲

fluorescent colour

white

persistence

medium short

Useful screen dimensions

diagonal

min. 155 mm

horizontal axis

min. 124 mm

vertical axis

min. 93 mm

Light transmission of screen

approx. 92%

**Note:** The M17-144WE has an improved screen blemish specification, to meet the extreme requirements of photographic recording equipment.

\* To obtain the best tube performance, use either the AT1071/05 or the AT1071/07 deflection unit.

\*\* Not to be connected in series with other tubes.

▲ Other phosphors available to special order.

**MECHANICAL DATA** (see also the figures on the next page)

Overall length	227 ± 7 mm
Neck diameter	min. 27,8 mm
Base	neo eightar, B8H; IEC67-I-31a
Final accelerator contact	cavity contact, CT8; IEC67-III-2
Net mass	approx. 0,7 kg

**Mounting**

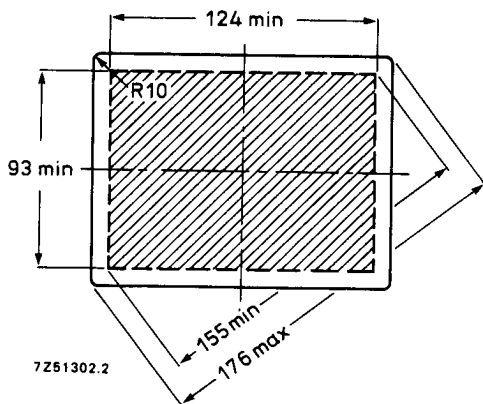
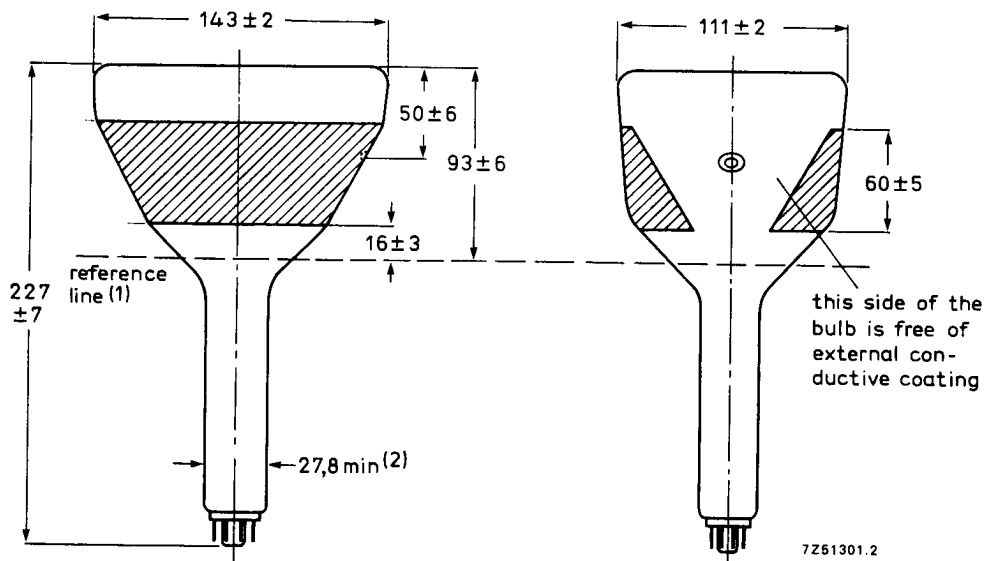
The tube can be mounted in any position. It must not be supported by the socket and not by the base region alone.

**Accessories**

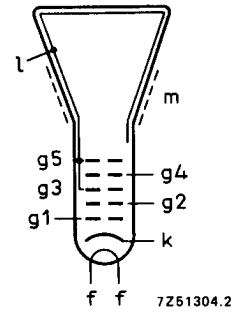
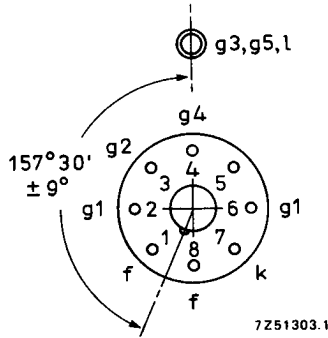
Final accelerator contact connector	55563A
-------------------------------------	--------

MECHANICAL DATA

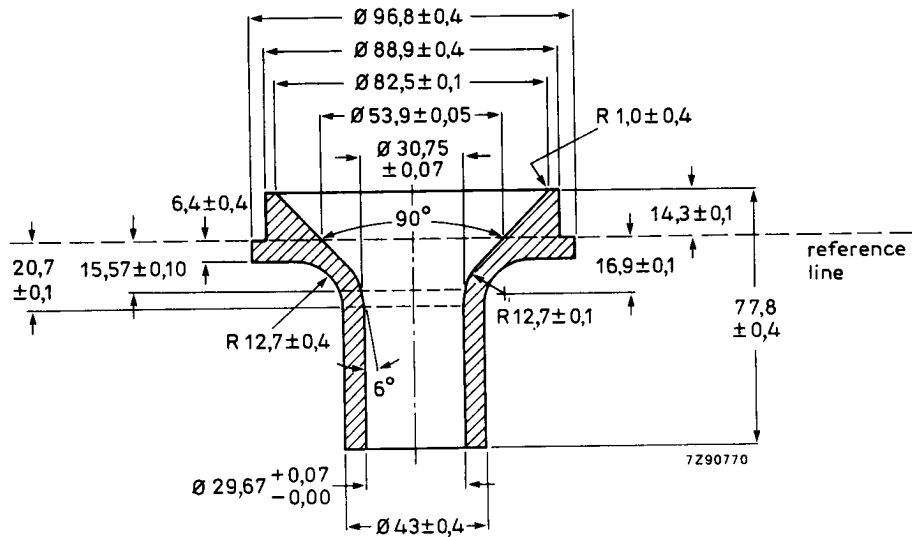
Dimensions in mm



- (1) Reference line, determined by the plane of the upper edge of the flange of the reference line gauge when the gauge is resting on the cone.
- (2) The maximum dimension is determined by the reference line gauge.



Reference line gauge



**RECOMMENDED OPERATING CONDITIONS**

Final accelerator voltage	$V_{g3,g5(\ell)}$	14 kV
Focusing electrode voltage	$V_{g4}$	0 to 400 V*
First accelerator voltage	$V_{g2}$	400 V
Cut-off voltage for visual extinction of focused spot	$-V_{g1}$	30 to 62 V

**RESOLUTION**

Resolution at screen centre, measured with beam centring magnet\*\*

at  $V_{g3,g5(\ell)} = 14$  kV,  $V_{g2} = 400$  V,  
 $I_{\phi} = 20$   $\mu$ A, luminance = 400 cd/m<sup>2</sup> ▲

min. 1050 TV lines

**LIMITING VALUES**

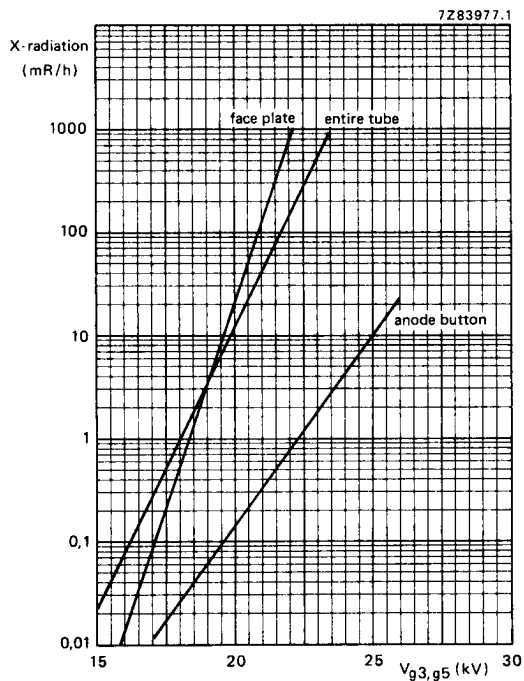
Final accelerator voltage	$V_{g3,g5(\ell)}$	max.	16 kV
		min.	12 kV
Focusing electrode voltage	$V_{g4}$ $-V_{g4}$	max.	1 kV
		max.	0,5 kV
First accelerator voltage	$V_{g2}$	max.	800 V
		min.	300 V
Control grid voltage	$-V_{g1}$ $V_{g1}$ $V_{g1p}$	max.	150 V
		max.	0 V
		max.	2 V
Cathode to heater voltage	$V_{kf}$ $-V_{kf}$	max.	125 V
		max.	125 V

\* For optimum focus at a beam-current of 50  $\mu$ A.

\*\* Catalogue number 3322 142 11401; supplied with directions for use with each tube.

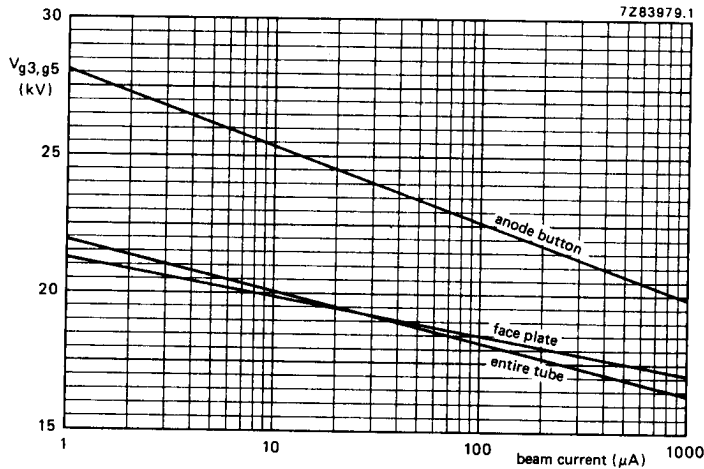
▲ Luminance is measured with a photocell, of which the spectral response curve is identical to that of the human eye, on a 312-lines raster with dimensions 70 mm x 70 mm.

X-RADIATION LIMIT



X-radiation limit curves, at a constant anode current of 250  $\mu$ A, measured according to TEPAC103A.





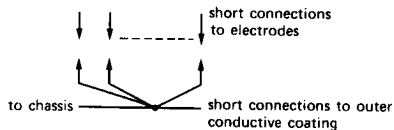
0,5 mR/h isoexposure-rate limit curves, measured according to TEPAC103A.

**Product safety**

X-ray shielding of the cone is advisable to give protection against possible danger of personal injury arising from prolonged exposure at close range to this tube when operated above 14 kV.

**FLASHOVER PROTECTION**

With the high voltage used with this tube internal flashovers may occur. These may destroy the cathode of the tube. Therefore it is necessary to provide protective circuits, using spark gaps. The spark gaps must be connected as follows:



7275269

No other connections between the outer conductive coating and the chassis are permissible.

## MONITOR TUBES

- 17 cm diagonal rectangular flat face
- 70° deflection angle
- high resolution
- quick heating cathode
- bonded face plate
- metal band for mounting
- M17-143WE: for use in precision monitors and as a viewfinder in television cameras
- M17-145WE: for use in photographic equipment (see Optical Data)

### QUICK REFERENCE DATA

---

Deflection angle, diagonal	70 °
Face diagonal	17 cm
Neck diameter	28 mm
Overall length	max. 240 mm
Screen dimensions	min. 124 mm x 93 mm
Resolution at $V_a = 16$ kV	min. 1250 TV lines

---

**ELECTRICAL DATA**

Capacitances

final accelerator to metal band	$C_{g3,g5(l)}/m'$	135 pF
final accelerator to external conductive coating	$G_{g3,g5(l)}/m$	240 pF
cathode to all other elements	$C_k$	3,6 pF
grid 1 to all other elements	$C_{g1}$	7 pF

Focusing method

electrostatic

Deflection method

magnetic\*

Deflection angle, diagonal

70°

Heating

indirect by AC or DC \*\*

heater voltage

$V_f$  6,3 V

heater current

$I_f$  240 mA

Heating time to attain 10% of the cathode

current at equilibrium conditions

approx. 5 s

**OPTICAL DATA**

Screen

metal-backed phosphor

Phosphor type

WE ▲

fluorescent colour

white

persistence

medium short

Useful screen dimensions

diagonal

min. 155 min.

horizontal axis

min. 124 min.

vertical axis

min. 93 min.

Light transmission of screen

approx. 88%

**Note:** The M17-145WE has an improved screen blemish specification, to meet the extreme requirements of photographic recording equipment.

\* To obtain the best tube performance, deflection unit AT1071/05 should be used.

\*\* Not to be connected in series with other tubes.

▲ Other phosphors available to special order.

**MECHANICAL DATA** (see also the figures on the next page)

Overall length	232 ± 8 mm
Neck diameter	min. 27,8 mm
Base	neo eightar, B8H; IEC 67-I-31a
Final accelerator contact	cavity contact, CT8; IEC 67-III-2
Implosion protection	bonded face plate
Net mass	approx. 1 kg

**Mounting**

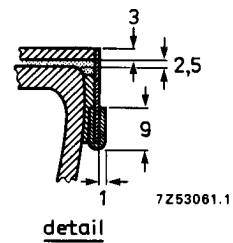
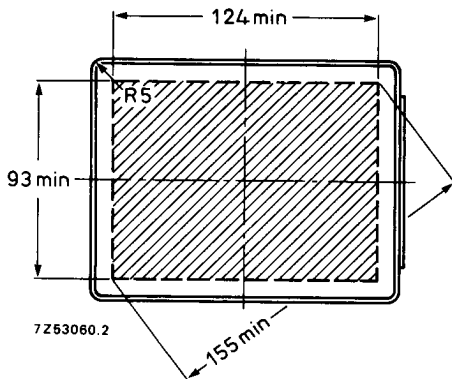
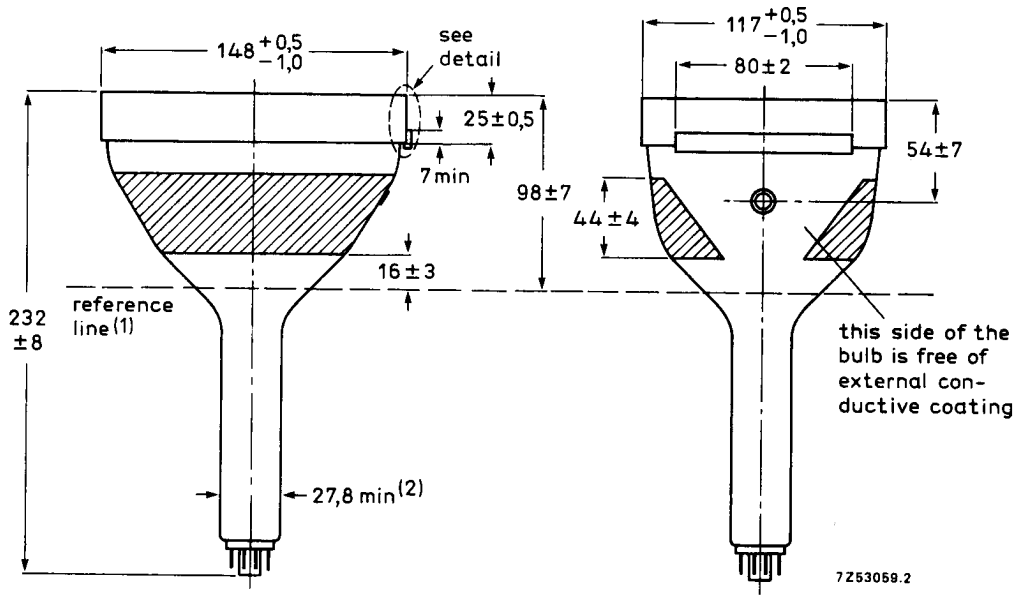
The tube can be mounted in any position. It must not be supported by the socket and not by the base region alone.

**Accessories**

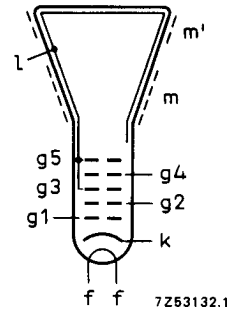
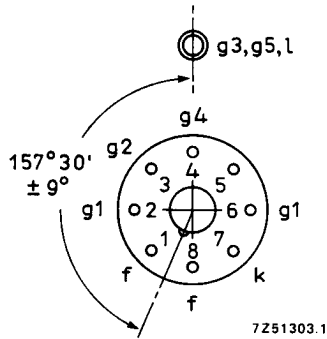
Final accelerator contact connector	55563 A
-------------------------------------	---------

MECHANICAL DATA

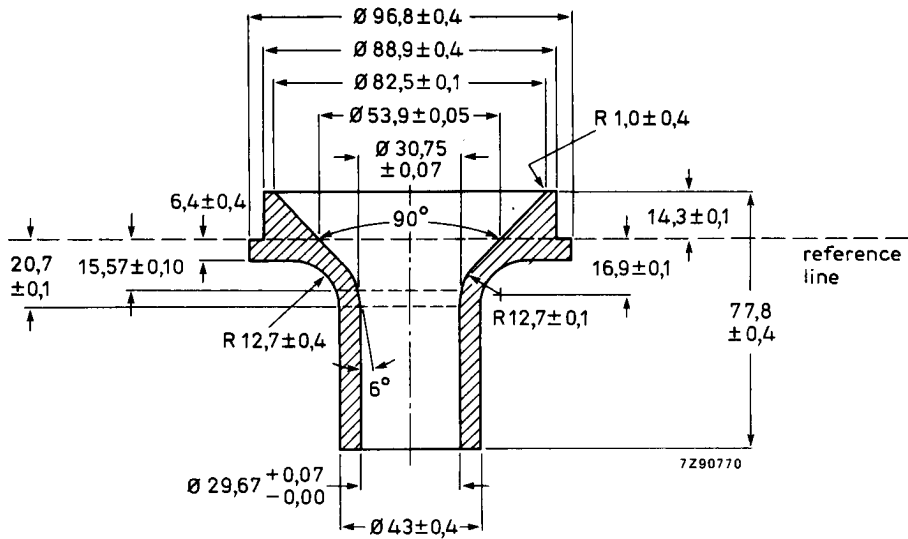
Dimensions in mm



- (1) Reference line, determined by the plane of the upper edge of the flange of the reference line gauge when the gauge is resting on the cone.
- (2) The maximum dimension is determined by the reference line gauge.



Reference line gauge



**RECOMMENDED OPERATING CONDITIONS**

Final accelerator voltage	$V_{g3,g5(\ell)}$	14	16 kV
Focusing electrode voltage	$V_{g4}$	0 to 400*	0 to 400 V*
First accelerator voltage	$V_{g2}$	400	600 V
Cut-off voltage for visual extinction of focused spot	$-V_{g1}$	30 to 62	40 to 90 V

**RESOLUTION**

Resolution at screen centre, measured with beam centring magnet\*\*

at  $V_{g3,g5(\ell)} = 14$  kV,  $V_{g2} = 400$  V,  
 $I_{\ell} = 20 \mu\text{A}$ , luminance = 400 cd//m<sup>2</sup> ▲

min. 1050 TV lines ←

at  $V_{g3,g5(\ell)} = 16$  kV,  $V_{g2} = 600$  V,  
 $I_{\ell} = 20 \mu\text{A}$ , luminance = 500 cd/m<sup>2</sup> ▲

min. 1250 TV lines ←

**LIMITING VALUES**

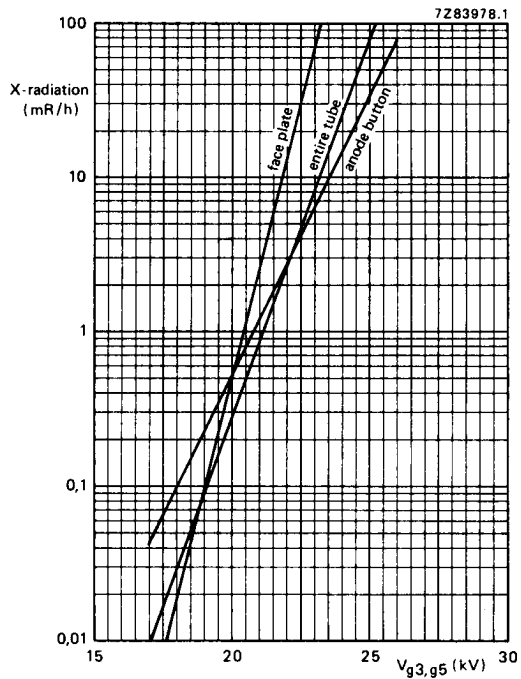
Final accelerator voltage	$V_{g3,g5(\ell)}$	max. 18 kV min. 12 kV
Focusing electrode voltage	$V_{g4}$ $-V_{g4}$	max. 1 kV max. 0,5 kV
First accelerator voltage	$V_{g2}$	max. 800 V min. 300 V
Control grid voltage		
negative	$-V_{g1}$	max. 150 V
positive	$V_{g1}$	max. 0 V
positive peak	$V_{g1p}$	max. 2 V
Cathode to heater voltage		
positive	$V_{kf}$	max. 125 V
negative	$-V_{kf}$	max. 125 V

\* For optimum focus at a beam current of 50  $\mu\text{A}$ .

\*\* Catalogue number 3322 142 11401; supplied with directions for use with each tube.

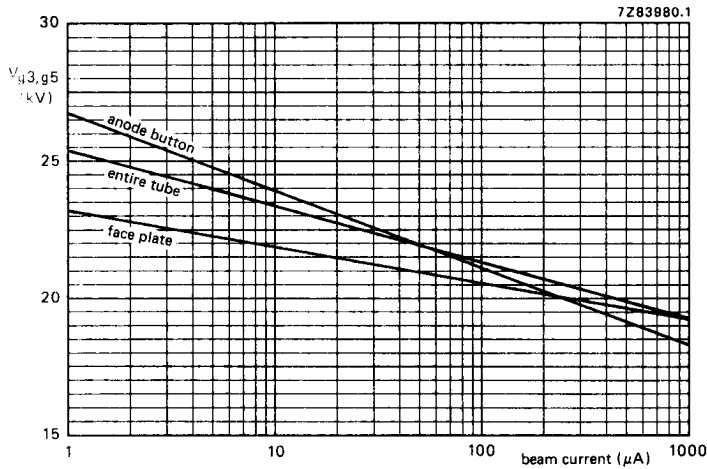
▲ Luminance is measured with a photocell, of which the spectral response curve is identical to that of the human eye, on a 312-lines raster with dimensions 70 mm x 70 mm.

X-RADIATION LIMIT



X-radiation limit curves, at a constant anode current of 250  $\mu$ A, measured according to TEPAC103A.

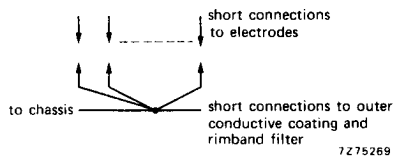




0,5 mR/h isoexposure-rate limit curves, measured according to TEPAC103A.

### FLASHOVER PROTECTION

With the high voltage used with this tube internal flashovers may occur. These may destroy the cathode of the tube. Therefore it is necessary to provide protective circuits, using spark gaps. The spark gaps must be connected as follows:



No other connections between the outer conductive coating and the chassis are permissible.

## VERY HIGH RESOLUTION FLAT CATHODE-RAY TUBE

- 17 cm diagonal rectangular flat face
- 70° deflection angle
- very high resolution
- quick heating cathode

### QUICK REFERENCE DATA

---

Deflection angle, diagonal	70 °
Face diagonal	17 cm
Neck diameter	28 mm
Overall length	max. 269 mm
Screen dimensions	min. 124 mm x 93 mm
Resolution	approx 2500 TV lines 1800 lines (shrinking raster)

---

### APPLICATION \*

This tube has been designed for use in photographic applications where screen current is generally limited to a maximum of 20  $\mu$ A. At these relatively low screen currents, the extremely good resolution together with the excellent screen quality, makes this tube ideal for use in photographic equipment.

\* Application support is available on request.

**ELECTRICAL DATA**

Capacitances

final accelerator to external conductive coating  
 cathode to all other elements  
 grid 1 to all other elements

$C_{g4(l)/m}$  310 pF  
 $C_k$  2,8 pF  
 $C_{g1}$  6 pF

Focusing method

electrostatic

Deflection method

magnetic

Deflection angle, diagonal

70°

Heating

indirect by AC or DC

heater voltage

$V_f$  6,3 V

heater current

$I_f$  240 mA

Heating time to attain 10% of the cathode

current at equilibrium conditions

approx. 5 s

**OPTICAL DATA**

Screen

metal-backed phosphor

Phosphor type

WE \*

fluorescent colour

white

persistence

medium short

Useful screen dimensions

diagonal

min. 155 mm

horizontal axis

min. 124 mm

vertical axis

min. 93 mm

Light transmission of screen glass

approx. 92%

The M17-220WE has an improved screen blemish and uniformity specification, to meet the extreme requirements of photographic recording equipment.

\* Other phosphors available to special order.

**MECHANICAL DATA**

Overall length	262 ± 7 mm
Neck diameter	min. 27,8 mm
Base	JEDEC B10-277
Final accelerator contact	cavity contact, CT8; IEC67-III-2
Net mass	approx. 0,8 kg

**Mounting**

The tube should not be mounted in a vertical position, screen downwards, such that its longitudinal axis makes an angle of less than 20° with the vertical. This is the only restriction on mounting.

**Accessories**

Final accelerator contact connector	55563A
Deflection coils*	Syntronic type deflection coils are highly recommended. e.g. 15330/1

**Options**

- customer designed suspension system
- implosion protection
- other phosphors

\* The tube has internal magnetic correction for astigmatism. To avoid changing this correction, the coil must be at zero potential, before being moved on the tube neck.

MECHANICAL DATA

Dimensions in mm

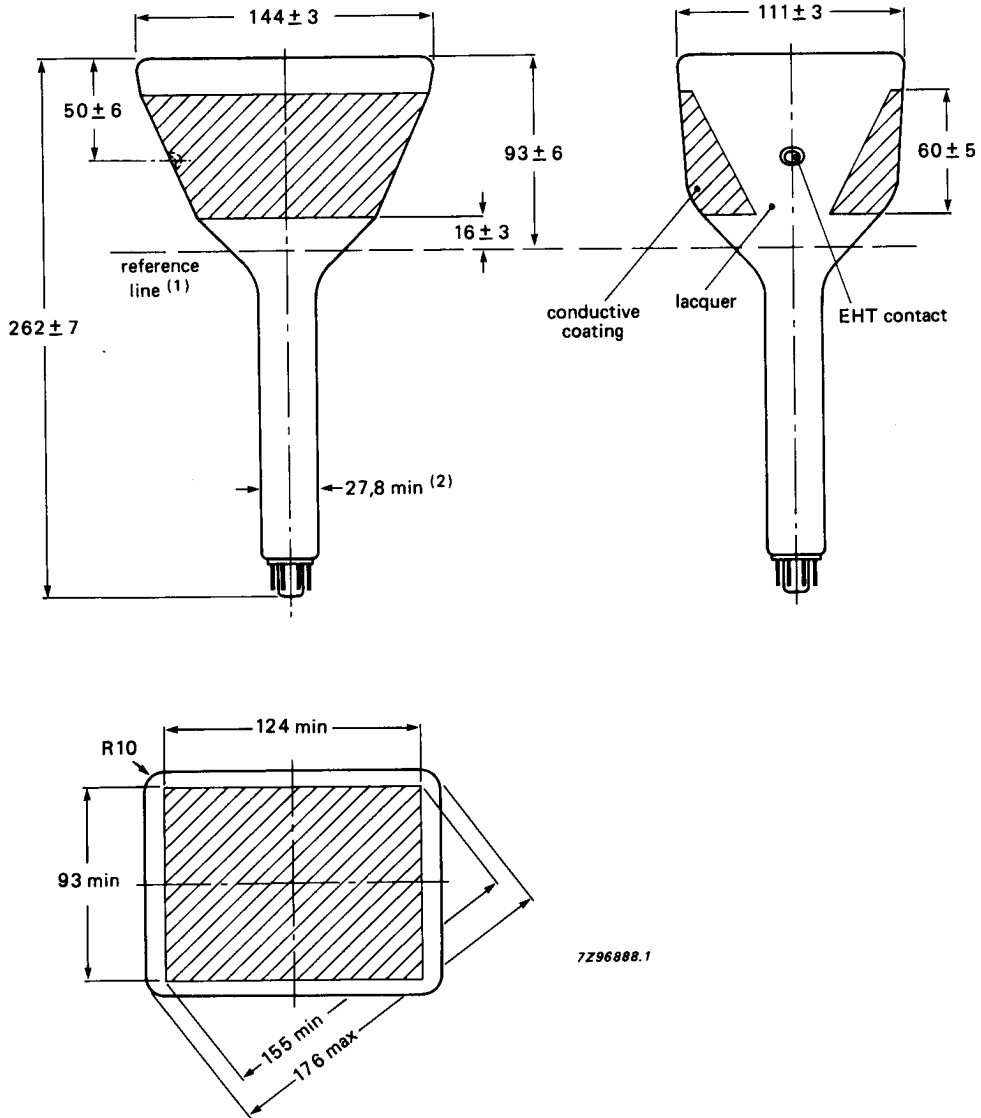


Fig. 1.

- (1) Reference line, determined by the plane of the upper edge of the flange of the reference line gauge when the gauge is resting on the cone.
- (2) The maximum dimension is determined by the reference line gauge.

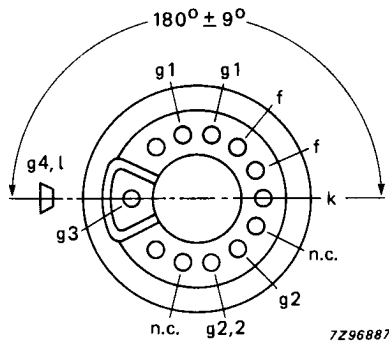


Fig. 2.

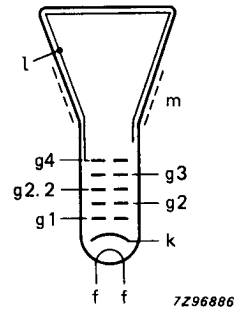


Fig. 3.

Reference line gauge

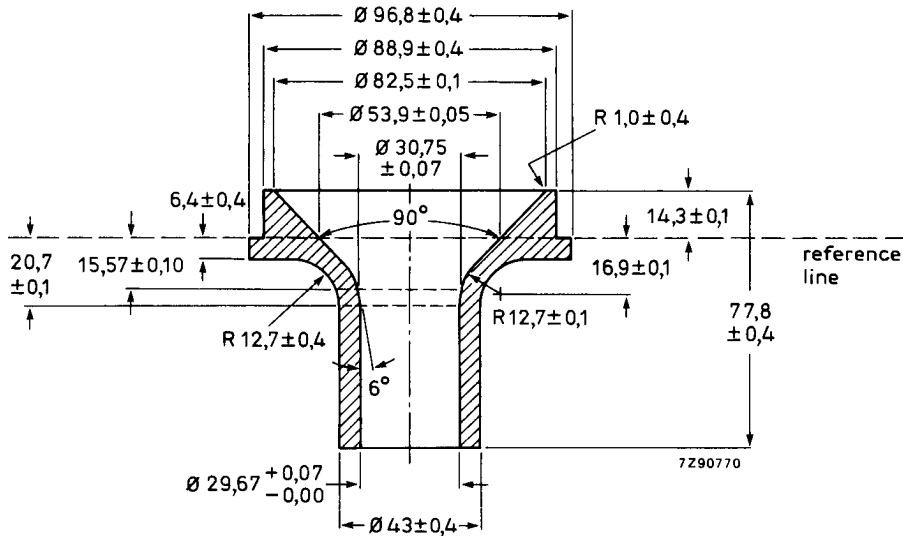


Fig. 4.

**RECOMMENDED OPERATING CONDITIONS**

Final accelerator voltage	$V_{g4(l)}$	15 kV
Focusing electrode voltage	$V_{g3}$	3,05 kV
Dynamic focusing	$\Delta V_{g3}$	400 V
First accelerator voltage	$V_{g2}$	800 V
Second accelerator voltage	$V_{g2.2}$	3,05 kV
Cut-off voltage for visual extinction of focused spot	$-V_{g1}$	50 to 80 V

**RESOLUTION**

Resolution at screen centre, measured with shrinking raster method (non-interlaced raster)

at  $V_{g4(l)} = 15 \text{ kV}$ ;  $V_{g2} = 800 \text{ V}$ ;  $V_{g2.2} = 3,05 \text{ kV}$   
 $I_{\ell} = 10 \mu\text{A}$ ; luminance =  $200 \text{ cd/m}^2$  (see Fig. 6)

approx 2500 TV lines  
 1800 lines (shrinking raster)

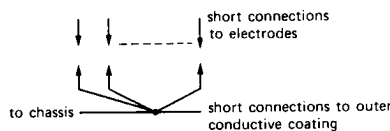
**LIMITING VALUES**

Final accelerator voltage	$V_{g4}$	max. 17 kV min. 13 kV
Focusing electrode voltage	$V_{g3}$	max. 3,2 kV min. 2,9 kV
First accelerator voltage	$V_{g2}$	max. 1,2 kV min. 0,6 kV
Second accelerator voltage	$V_{g2.2}$	max. 3,2 kV min. 2,0 kV
Screen current	$I_{g4(l)}$	max. 20 $\mu\text{A}$
Grid G2.2 maximum interception of cathode current at screen current = 20 $\mu\text{A}$		50 %
Control grid voltage		
negative	$-V_{g1}$	max. 150 V
positive	$V_{g1}$	max. 0 V
positive peak	$V_{g1p}$	max. 2 V
Cathode to heater voltage		
positive	$V_{kf}$	max. 125 V
negative	$-V_{kf}$	max. 125 V

**FLASHOVER PROTECTION**

With the high voltage used with this tube internal flashovers may occur. These may destroy the cathode of the tube. Therefore it is necessary to provide protective circuits, using spark gaps.

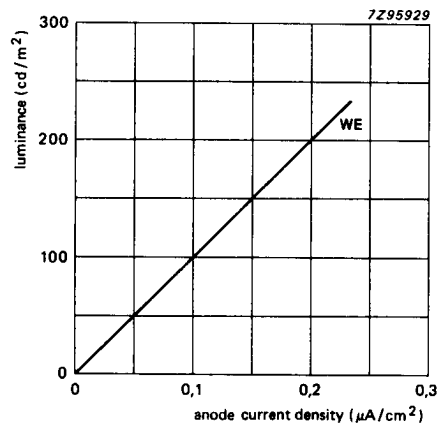
The spark gaps must be connected as follows:



7275269

No other connections between the outer conductive coating and the chassis are permissible.

Fig. 5.



Luminance is measured with a photo-cell, the spectral response of which is identical to that of the human eye, on a 312-lines non-interlaced raster with screen dimensions 70 mm x 70 mm, frame frequency 50 Hz and  $V_{g4} = 15$  kV.

Fig. 6 Luminance.



X-RADIATION LIMIT

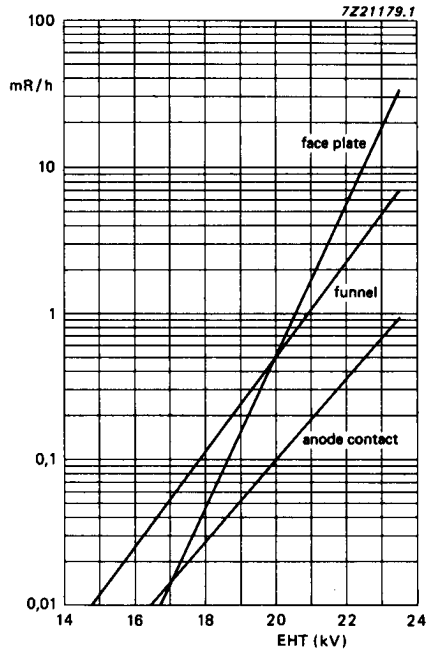


Fig. 7 X-radiation limit curves, at a constant anode current of 50  $\mu$ A, measured in accordance with TEPAC164.

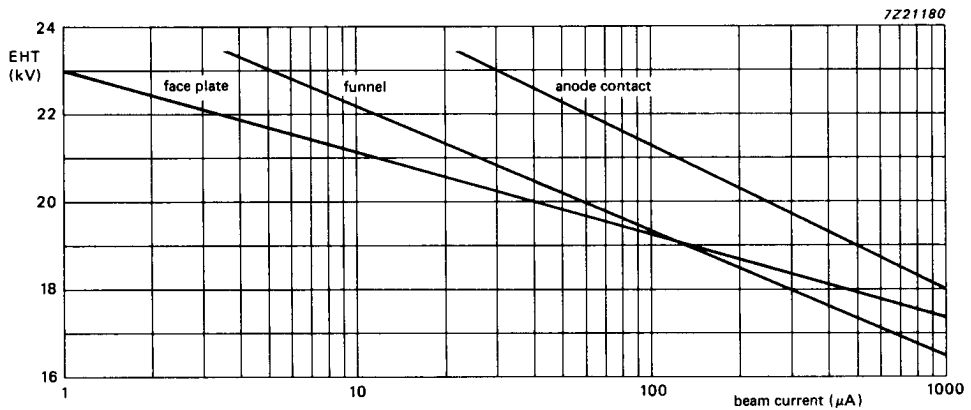


Fig. 8 0,5 mR/h isoexposure-rate limit curves, measured in accordance with TEPAC164.

## MONITOR TUBE

The M24-100W is a 24 cm-diagonal rectangular television tube with metal-backed screen primarily intended for use as a monitor or display tube.

QUICK REFERENCE DATA	
Deflection angle	90 °
Focusing	electrostatic
Resolution	900 lines
Overall length	max. 260 mm

## SCREEN

Metal-backed phosphor

Luminescence	white
Light transmission of face glass	52 %
Useful diagonal	min. 225 mm
Useful width	min. 190 mm
Useful height	min. 140 mm

## HEATING

Indirect by a.c. or d.c.; parallel supply

Heater voltage	$V_f$	6,3	V
Heater current	$I_f$	300	mA

## CAPACITANCES

Final accelerator to external conductive coating	$C_{g_3, g_5(l)/m}$	420	pF
Cathode to all other elements	$C_k$	5	pF
Control grid to all other elements	$C_{g_1}$	7	pF

## FOCUSING

electrostatic

For focusing voltage providing optimum focus at a beam current of 100  $\mu$ A see under "Typical operating conditions".

DEFLECTION 3)

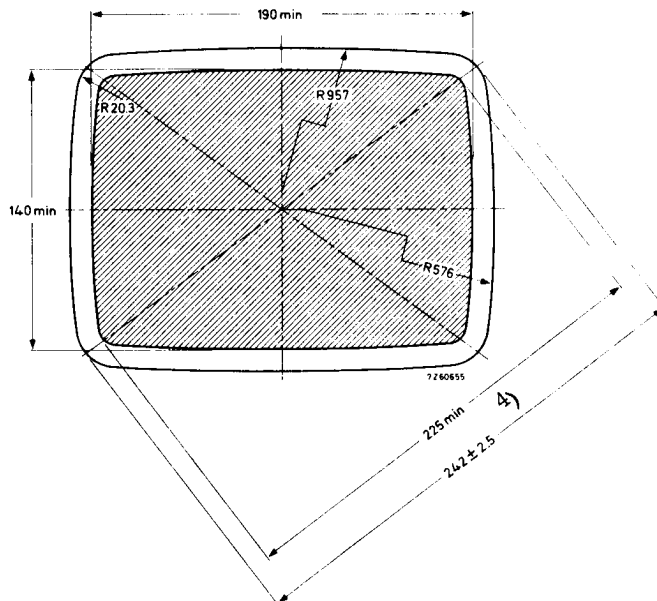
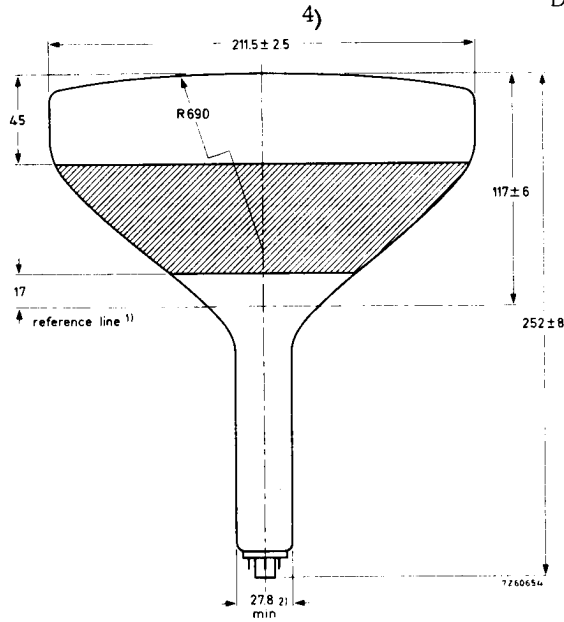
Diagonal deflection angle

MECHANICAL DATA

magnetic

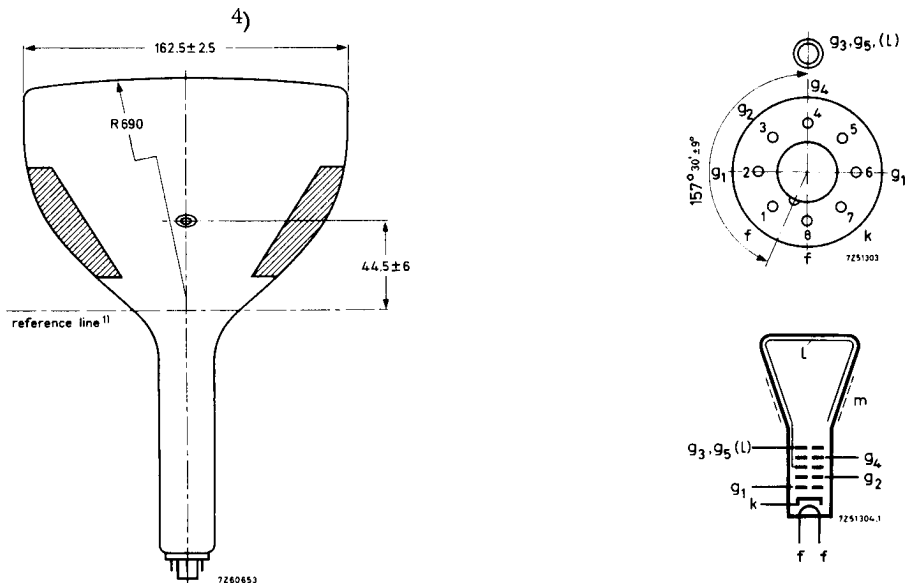
90°

Dimensions in mm



Notes see next page.

## MECHANICAL DATA (continued)



Mounting position : any, except vertical with the screen downward and the axis of the tube making an angle of less than  $20^\circ$  with the vertical.

Base

Neo eightar (B8H)

Cavity contact

CT8

Accessories

Socket

2422 501 06001

Final accelerator contact connector

type 55563A

#### PICTURE CENTRING MAGNET

Field intensity perpendicular to the tube axis adjustable from 0 to 800 A/m (0 to 10 Oe). Adjustment of the centring magnet should not be such that a general reduction in brightness or shading of the raster occurs.

#### NOTES

- 1) The reference line is determined by the plane of the upper edge of the of the flange of reference line gauge when the gauge is resting on the cone.
- 2) The maximum dimension is determined by the reference line gauge.
- 3) Deflection coil AT1071/03 is recommended. If another coil is considered, it is advisable to contact the local tube supplier.
- 4) The bulge at the spliceline seal may increase the indicated maximum values for envelope width, diagonal and height by not more than 6,4 mm, but at any point around the seal the bulge will not protrude more than 3,2 mm beyond the envelope surface.

## TYPICAL OPERATING CONDITIONS

Final accelerator voltage	$V_{g_3, g_5(t)}$	16	kV
Focusing electrode voltage	$V_{g_4}$	0 to 400	V
First accelerator voltage	$V_{g_2}$	600	V
Grid no.1 voltage for extinction of focused raster	$V_{g_1}$	-32 to -85	V

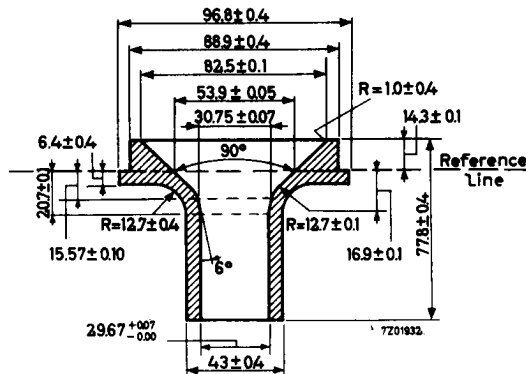
## RESOLUTION

Resolution at screen centre measured with the shrinking raster method (non-interlaced raster), under typical operating conditions, at a beam current of  $50 \mu\text{A}$  ( $200\text{cd}/\text{m}^2 = 200\text{nit}$ )  
 The resolution can be improved by the use of beam centring magnet catalogue number 3322 142 11401, supplied on request. 900 lines

## LIMITING VALUES (Absolute max. rating system)

Final accelerator voltage	$V_{g_3, g_5(t)}$	max. 18	kV
		min. 10	kV
Focusing electrode voltage	$V_{g_4}$	max. 1	kV
	$-V_{g_4}$	max. 0,5	kV
First accelerator voltage	$V_{g_2}$	max. 800	V
		min. 300	V
Grid no.1 voltage, negative	$-V_{g_1}$	max. 150	V
positive	$V_{g_1}$	max. 0	V
positive peak	$V_{g_{1p}}$	max. 2	V
Cathode to heater voltage, positive	$V_{kf}$	max. 250	V
positive peak	$V_{kf_p}$	max. 300	V <sup>1)</sup>
negative	$-V_{kf}$	max. 135	V
negative peak	$-V_{kf_p}$	max. 180	V

## REFERENCE LINE GAUGE



<sup>1)</sup> During a warm-up period not exceeding 15 s the heater may be 410 V negative with respect to the cathode,

## MONITOR TUBE

The M24-101W is a 24 cm-diagonal rectangular television tube with integral protection primarily intended for use as a monitor or display tube.

QUICK REFERENCE DATA			
Deflection angle		90 °	
Focusing		electrostatic	
Resolution		900	lines
Overall length	≤	260	mm

### SCREEN

Metal backed phosphor

Luminescence		white	
Light transmission of face glass		52	%
Useful diagonal	≥	225	mm
Useful width	≥	190	mm
Useful height	≥	140	mm

### HEATING

Indirect by a. c. or d. c.; parallel supply

Heater voltage	$V_f$	6,3	V
Heater current	$I_f$	300	mA

### FOCUSING

electrostatic

For focusing voltage providing optimum focus at a beam current of 100  $\mu$ A see under "Typical operating conditions".

### DEFLECTION

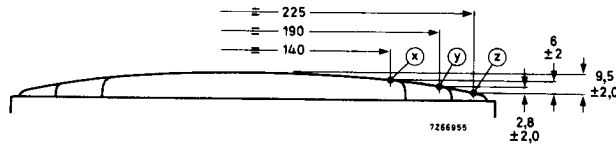
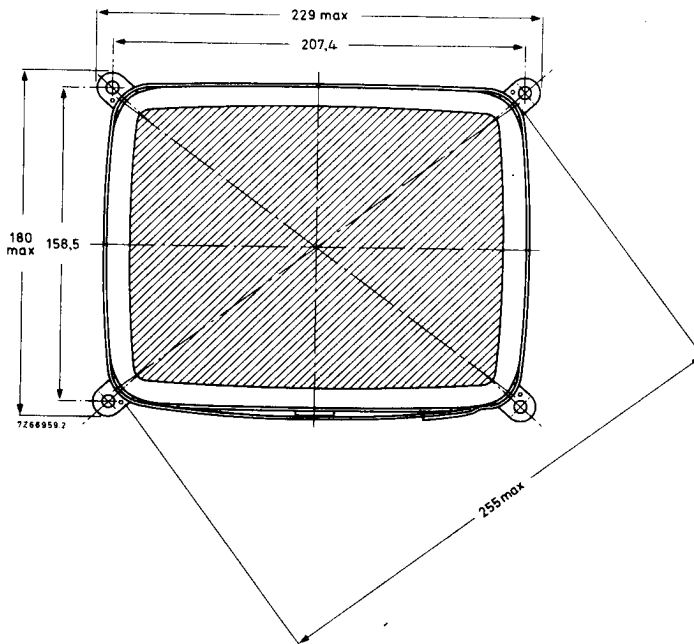
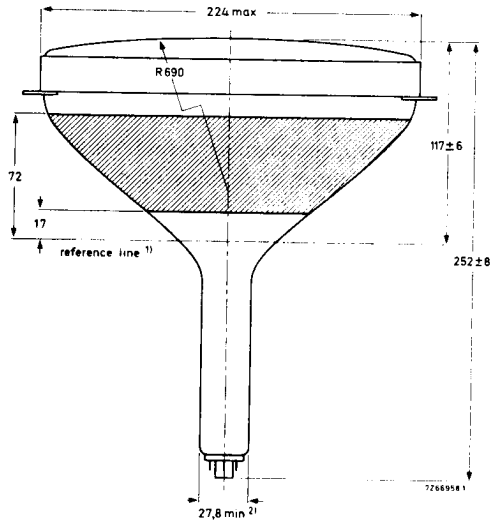
magnetic

Diagonal deflection angle		90 °
Horizontal deflection angle		80 °
Vertical deflection angle		65 °

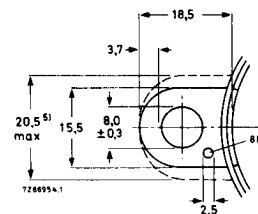
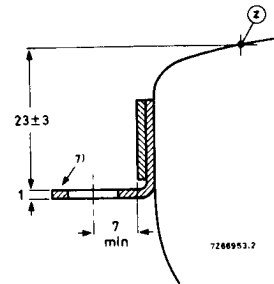
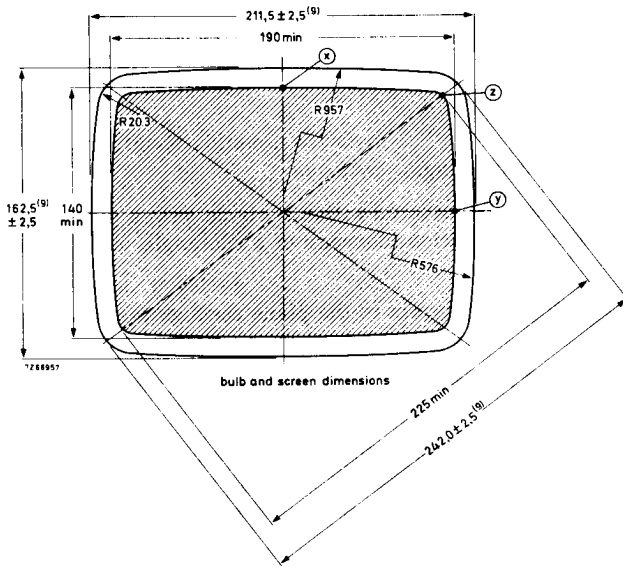
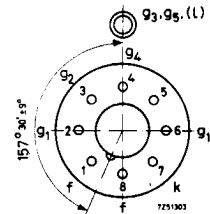
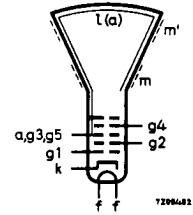
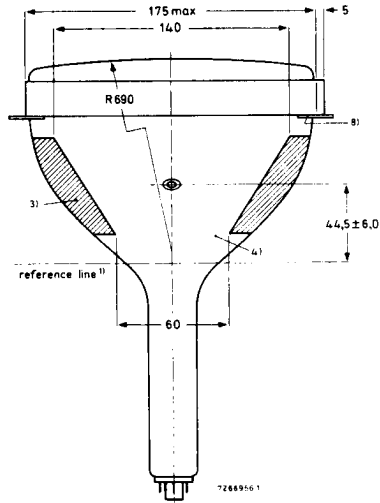
Deflection coil AT1071/03 is recommended.

MECHANICAL DATA

Dimensions in mm



MECHANICAL DATA (continued)



Notes see next page.



**MECHANICAL DATA** (continued)

Mounting position : any

<u>Base</u>	Neo eightar (B8H), IEC 67-I-31a
<u>Cavity contact</u>	CT8, IEC67-III-2
<u>Accessories</u>	
Socket	2422 501 06001
Final accelerator contact connector	

**PICTURE CENTRING MAGNET**

Field intensity perpendicular to the tube axis adjustable from 0 to 800 A/m (0 to 10 Oe). Adjustment of the centring magnet should not cause a general reduction in brightness or shading of the raster.

**NOTES TO OUTLINE DRAWINGS**

- 1) The reference line is determined by the plane of the upper edge of the flange of the reference line gauge with the gauge resting on the cone.
- 2) The maximum dimension is determined by the reference line gauge.
- 3) This tube has an external conductive coating (m), which must be earthed. The capacitance of this coating to the final accelerator is used for smoothing the EHT. The tube marking and warning labels are on the side of the cone opposite the final accelerator contact, and this side should not be used for making contact to the conductive coating.
- 4) This area must be kept clean.
- 5) Minimum space to be reserved for mounting lugs.
- 6) The mounting screws in the cabinet must be situated within a circle with a diameter of 4 mm drawn around the true geometrical position (corners of a rectangle of 207,4 mm x 158,5 mm).
- 7) The maximum displacement of any lug with respect to the plane through the other three lugs is 2 mm.
- 8) The metal rim-band must be earthed. The hole of 2,5 mm diameter in each lug is provided for this purpose.
- 9) The bulge at the spliceline seal may increase the indicated maximum values for envelope width, diagonal and height by not more than 6,4 mm, but at any point around the seal the bulge will not protrude more than 3,2 mm beyond the envelope surface.

## CAPACITANCES

Final accelerator to external conductive coating	$C_{g3}, g_5(\ell)/m$	420	pF
Final accelerator to metal band	$C_{g3}, g_5(\ell)/m'$	200	pF
Cathode to all other elements	$C_k$	5	pF
Control grid to all other elements	$C_{g1}$	7	pF

## TYPICAL OPERATING CONDITIONS

Final accelerator voltage	$V_{g3}, g_5(\ell)$	16	kV
Focusing electrode voltage	$V_{g4}$ 0 to	400	V
First accelerator voltage	$V_{g2}$	600	V
Grid 1 voltage for extinction of focused raster	$V_{g1}$ -32 to	-85	V

## RESOLUTION

Resolution at screen centre measured with the shrinking raster method (non-interlaced raster), under typical operating conditions, and at a beam current of 50  $\mu$ A: 900 lines (luminance  $\approx$  200  $\text{cd}/\text{m}^2$ ).

If necessary, the picture quality can be improved by using a beam centring magnet. This magnet, catalogue number 3322 142 11401, can be supplied on request.

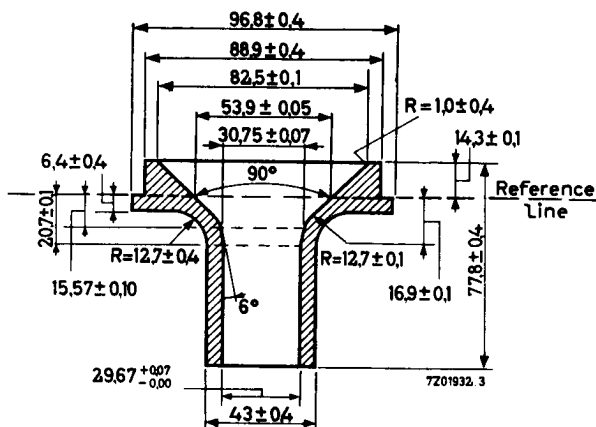
## LIMITING VALUES (Absolute max. rating system)

Final accelerator voltage	$V_{g3}, g_5(\ell)$	max.	18	kV
		min.	10	kV
Focusing electrode voltage, positive negative	$V_{g4}$ $-V_{g4}$	max.	1000	V
		max.	500	V
First accelerator voltage	$V_{g2}$	max.	800	V
		min.	300	V
Grid 1 voltage, negative positive positive peak	$-V_{g1}$ $V_{g1}$ $V_{g1p}$	max.	150	V
		max.	0	V
		max.	2	V
Cathode to heater voltage, positive positive peak negative negative peak	$V_{kf}$ $V_{kfp}$ $-V_{kf}$ $-V_{kfp}$	max.	250	V
		max.	300	V <sup>1)</sup>
		max.	135	V
		max.	180	V

<sup>1)</sup> During a warm-up period not exceeding 15 s the heater may be 410 V negative with respect to the cathode.

REFERENCE LINE GAUGE

Dimensions in mm



## MONITOR TUBE

The M31-130W is a 31 cm-diagonal rectangular television tube with metal-backed screen primarily intended for use as a monitor or display tube.

QUICK REFERENCE DATA			
Deflection angle		90°	
Focusing		electrostatic	
Resolution		900	lines
Overall length	max.	310	mm

**SCREEN**

Metal-backed phosphor

Luminescence

white

Light transmission of face glass

approx. 50 %

Useful diagonal

min. 295 mm

Useful width

min. 257 mm

Useful height

min. 195 mm

**HEATING**

Indirect by a.c. or d.c. ; parallel supply

Heater voltage

$V_f$  6,3 V

Heater current

$I_f$  300 mA

**FOCUSING**

electrostatic

For focusing voltage providing optimum focus at a beam current of 100  $\mu$ A see under "Typical operating conditions".

**DEFLECTION**

magnetic

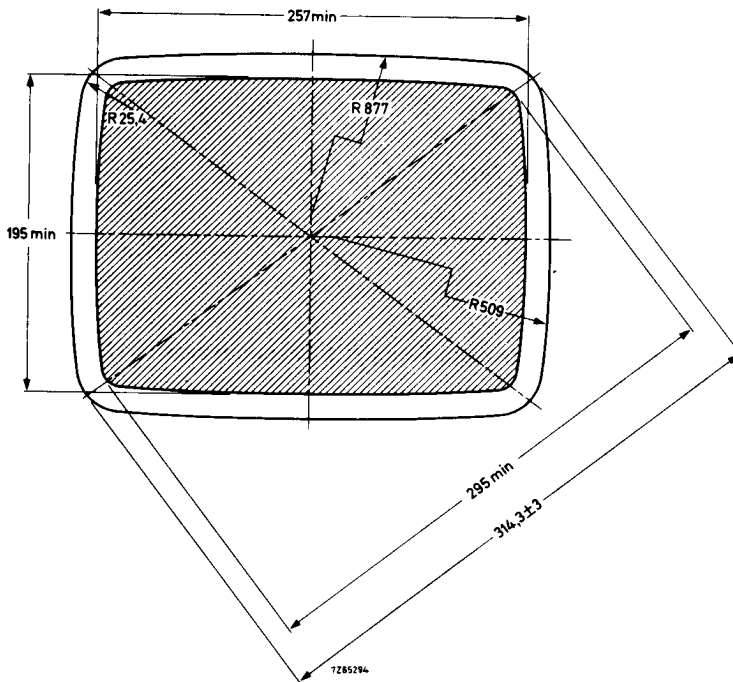
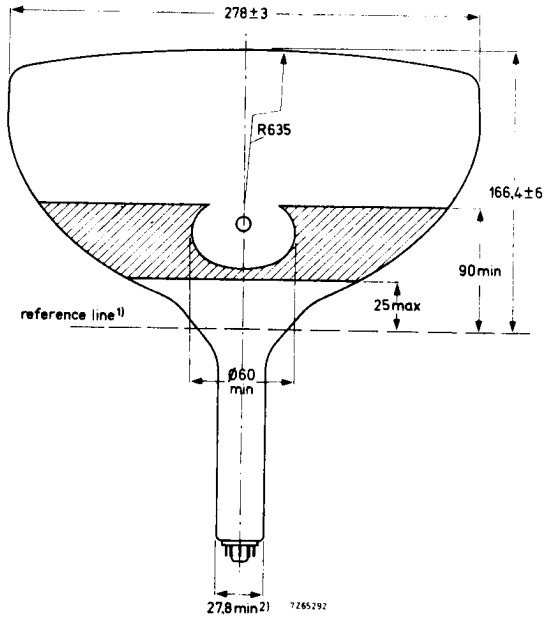
Diagonal deflection angle

90°

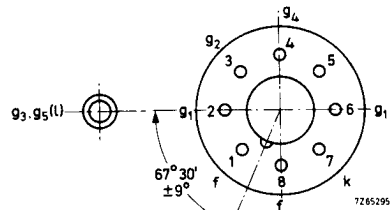
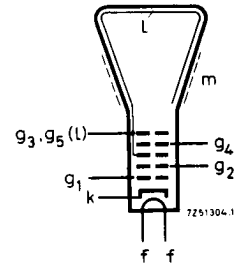
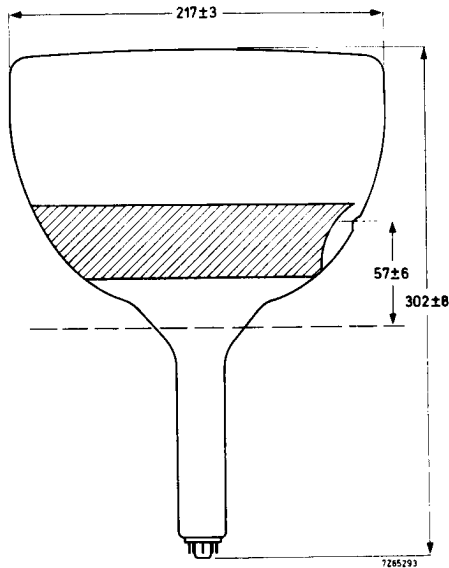
Deflection coil AT1071/03 is recommended.

MECHANICAL DATA

Dimensions in mm



MECHANICAL DATA (continued)



Mounting position: any, except vertical with the screen down and the axis of the tube making an angle of less than 20° with the vertical.

<u>Base</u>	Neo eightar (B8H), IEC67-I-31a
<u>Cavity contact</u>	CT8, IEC67-III-2
<u>Accessories</u>	
Socket	2422 501 06001
Final accelerator contact connector	type 55563A

**CAPACITANCES**

Final accelerator to external conductive coating	$C_{g3, g5(l)/m}$	1100	pF
Cathode to all other elements	$C_k$	5	pF
Control grid to all other elements	$C_{g1}$	7	pF

- 1) The reference line is determined by the plane of the upper edge of the flange of the reference line gauge with the gauge resting on the cone.
- 2) The maximum dimension is determined by the reference line gauge.

## TYPICAL OPERATING CONDITIONS

Final accelerator voltage	$V_{g3, g5(l)}$	16	kV
Focusing electrode voltage	$V_{g4}$	0 to 400	V
First accelerator voltage	$V_{g2}$	600	V
Grid no. 1 voltage for extinction of focused raster	$V_{g1}$	-32 to -85	V

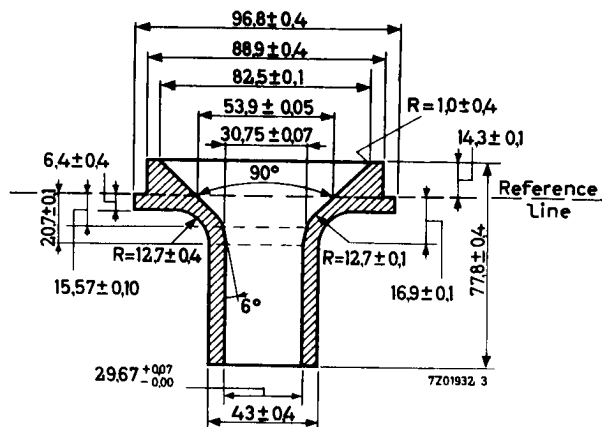
## RESOLUTION

Resolution at screen centre measured with the shrinking raster method (non-interlaced raster), under typical operating conditions, and at a beam current of 50  $\mu$ A: 900 lines  
The resolution can be improved by the use of beam centring magnet, catalogue number 3322 142 11401, supplied on request.

## LIMITING VALUES (Absolute max. rating system)

Final accelerator voltage	$V_{g3, g5(l)}$	max.	18	kV
		min.	10	kV
Focusing electrode voltage, positive	$V_{g4}$	max.	1000	V
	$-V_{g4}$	max.	500	V
First accelerator voltage	$V_{g2}$	max.	800	V
		min.	300	V
Grid no. 1 voltage, negative	$-V_{g1}$	max.	150	V
positive	$V_{g1}$	max.	0	V
positive peak	$V_{g1p}$	max.	2	V
Cathode to heater voltage, positive	$V_{kf}$	max.	250	V
positive peak	$V_{kfp}$	max.	300	V
negative	$-V_{kf}$	max.	135	V
negative peak	$-V_{kfp}$	max.	180	V

## REFERENCE LINE GAUGE



1) During a warm-up period not exceeding 15 s the heater may be 410 V negative with respect to the cathode.

## MONITOR TUBE

The M31-131W is a 31 cm-diagonal rectangular television tube with integral protection primarily intended for use as a monitor or display tube.

QUICK REFERENCE DATA			
Deflection angle		90	°
Focusing		electrostatic	
Resolution		900	lines
Overall length	≤	310	mm

**SCREEN**

Metal backed phosphor

Luminescence

white

Light transmission of face glass

approx. 50 %

Useful diagonal

≥ 295 mm

Useful width

≥ 257 mm

Useful height

≥ 195 mm

**HEATING**

Indirect by a. c. or d. c. ; parallel supply

Heater voltage

$V_f$  6,3 V

Heater current

$I_f$  300 mA

**FOCUSING**

electrostatic

For focusing voltage providing optimum focus at a beam current of 100  $\mu$ A see under "Typical operating conditions".

**DEFLECTION**

magnetic

Diagonal deflection angle

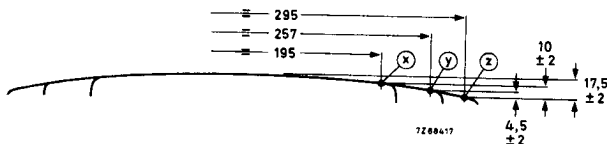
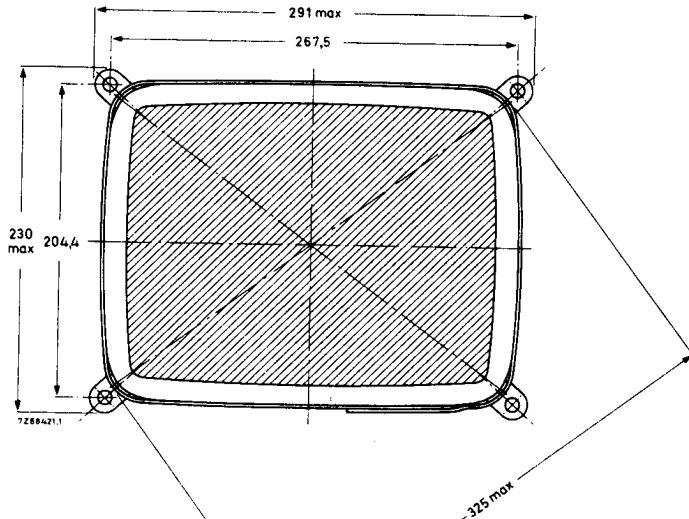
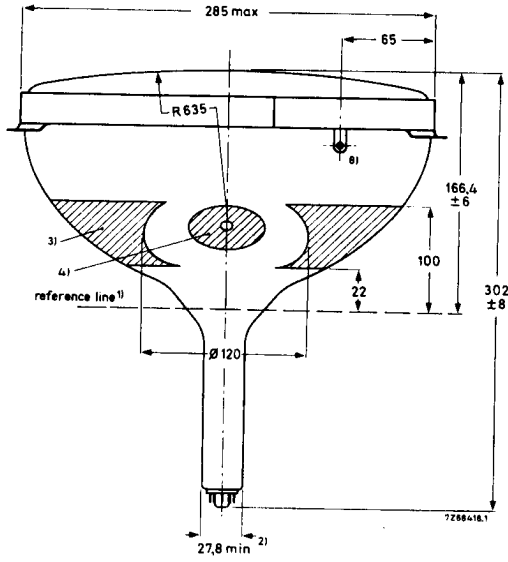
90°

Deflection coil AT1071/03 is recommended.



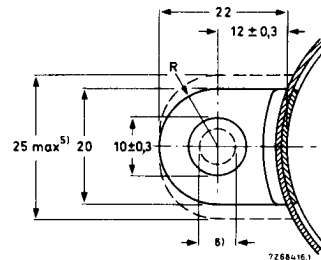
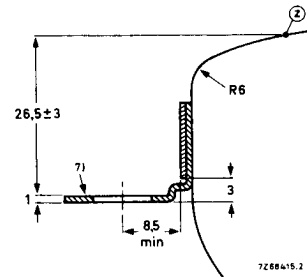
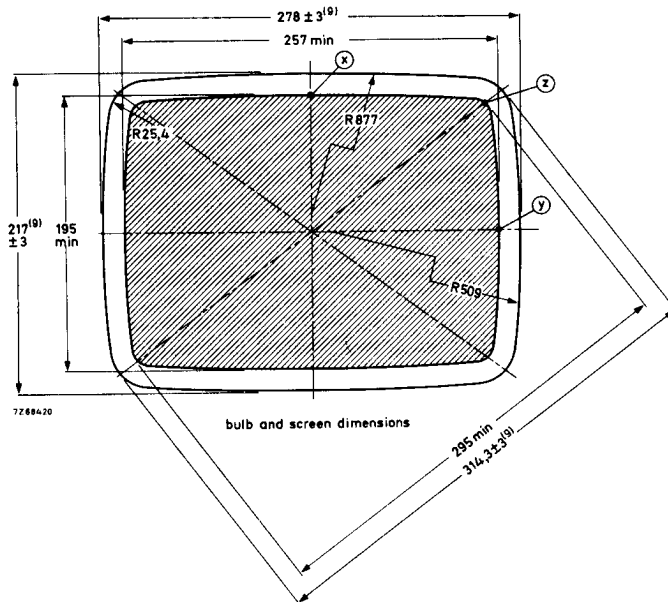
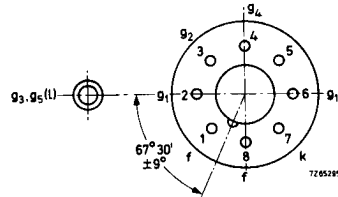
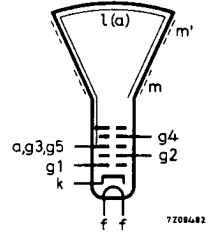
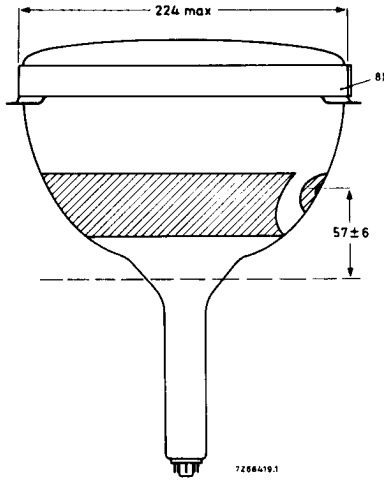
MECHANICAL DATA

Dimensions in mm



MECHANICAL DATA (continued)

Dimensions in mm



See "Notes to outline drawings".

**MECHANICAL DATA** (continued)Mounting position : anyBase Neo eightar (B8H), IEC 67-1-31aCavity contact CT8, IEC 67-III-2Accessories

Socket 2422 501 06001

Final accelerator contact connector type 55563A

**PICTURE CENTRING MAGNET**

Field intensity perpendicular to the tube axis adjustable from 0 to 800 A/m (0 to 10 Oe). Adjustment of the centring magnet should not cause a general reduction in brightness or shading the raster.

**NOTES TO OUTLINE DRAWINGS**

- 1) The reference line is determined by the plane of the upper edge of the flange of the reference line gauge with the gauge resting on the cone.
- 2) The maximum dimension is determined by the reference line gauge.
- 3) This tube has a external conductive coating (m), which must be earthed.  
The capacitance of this coating to the final accelerator is used for smoothing the EHT. The tube marking and warning labels are on the side of the cone opposite the final accelerator contact, and this side should not be used for making contact to the conductive coating.
- 4) This area must be kept clean.
- 5) Minimum space to be reserved for mounting lugs.
- 6) The mounting screws in the cabinet must be situated within a circle with a diameter of 6 mm drawn around the true geometrical position (corners of a rectangle of 267,5 mm x 204,4 mm).
- 7) The maximum displacement of any lug, with respect to the plane through the other three lugs is 2 mm.
- 8) The metal rim-band must be earthed. For this purpose the band is provided with a tag.
- 9) The bulge of the spliceline seal may increase the indicated maximum values for envelope width, diagonal, and height by not more than 6,4 mm, but at any point around the seal the bulge will not protrude more than 3,2 mm beyond the envelope surface.

## CAPACITANCES

Final accelerator to external conductive coating	$C_{g3, g5(\ell)}/m$	1200	pF
Final accelerator to metal band	$C_{g3, g5(\ell)}/m$	150	pF
Cathode to all other elements	$C_k$	5	pF
Control grid to all other elements	$C_{g1}$	7	pF

## TYPICAL OPERATING CONDITIONS

Final accelerator voltage	$V_{g3, g5(\ell)}$	16	kV
Focusing electrode voltage	$V_{g4}$	0 to 400	V
First accelerator voltage	$V_{g2}$	600	V
Grid 1 voltage for extinction of focused raster	$V_{g1}$	-32 to -85	V

## RESOLUTION

Resolution at screen centre measured with the shrinking raster method (non-interlaced raster), under typical operating conditions, and at a beam current of 50  $\mu$ A: 900 lines

If necessary, the picture quality can be improved by using a beam centring magnet.

This magnet, catalogue number 3322 142 11401, can be supplied on request.

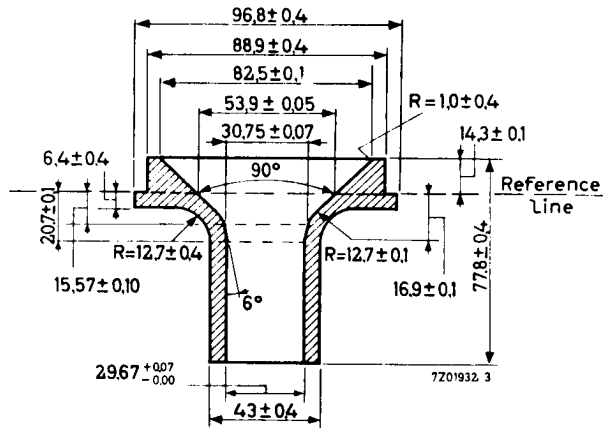
## LIMITING VALUES (Absolute max. rating system)

Final accelerator voltage	$V_{g3, g5(\ell)}$	max.	18	kV
		min.	10	kV
Focusing electrode voltage, positive	$V_{g4}$	max.	1000	V
negative	$-V_{g4}$	max.	500	V
First accelerator voltage	$V_{g2}$	max.	800	V
		min.	300	V
Grid voltage, negative	$-V_{g1}$	max.	150	V
positive	$V_{g1}$	max.	0	V
positive peak	$V_{g1p}$	max.	2	V
Cathode to heater voltage, positive	$V_{kf}$	max.	250	V
positive peak	$V_{kfp}$	max.	300	V
negative	$-V_{kf}$	max.	135	V <sup>1)</sup>
negative peak	$-V_{kfp}$	max.	180	V

1) During a warm-up period not exceeding 15 s the heater may be 410 V negative with respect to the cathode.

REFERENCE LINE GAUGE

Dimensions in mm



## MONITOR TUBE

The M38-120W is a 38 cm-diagonal rectangular television tube with metal backed screen and integral protection primarily intended for use as a monitor tube. On request this tube can also be supplied with a WA screen phosphor.

QUICK REFERENCE DATA		
Deflection angle	110°	
Focusing	electrostatic	
Resolution	min. 650	lines
Overall length	max. 279,5	mm

**SCREEN**

Metal backed phosphor

Luminescence	white	
Light transmission of face glass	50	%
Useful diagonal	min. 350	mm
Useful width	min. 290	mm
Useful height	min. 226	mm

**HEATING**

Indirect by a.c. or d.c.; parallel or series supply

Heater voltage	$V_f$ 6,3	V
Heater current	$I_f$ 300	mA

**FOCUSING**

electrostatic

For focusing voltage providing optimum focus at screen centre at a beam current of 100  $\mu$ A see under "Typical operating conditions".

**DEFLECTION**

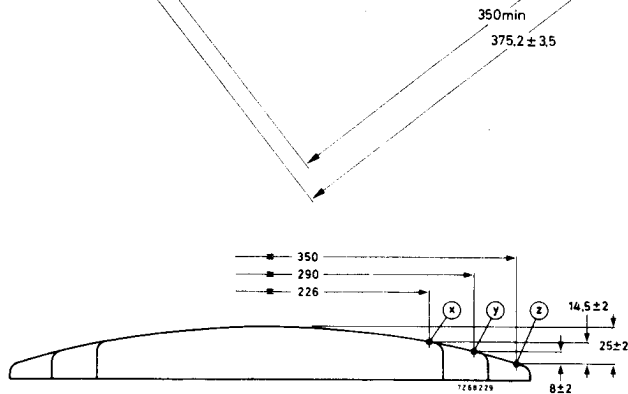
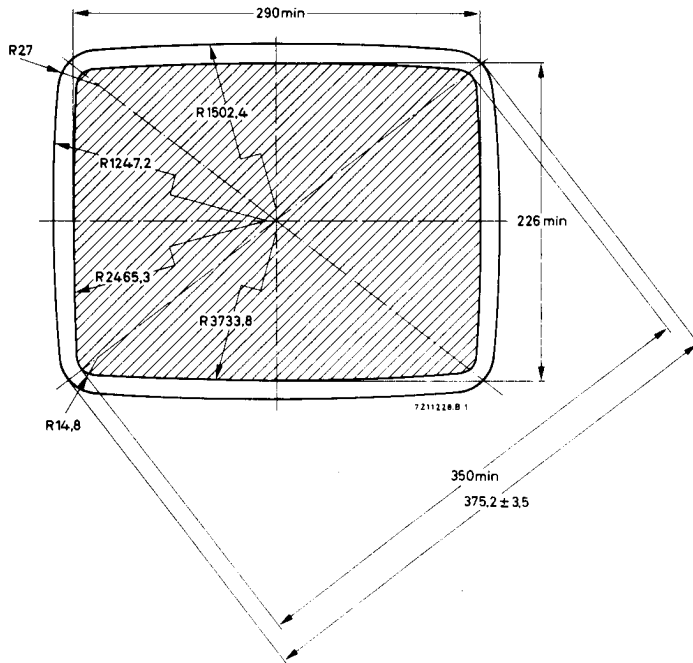
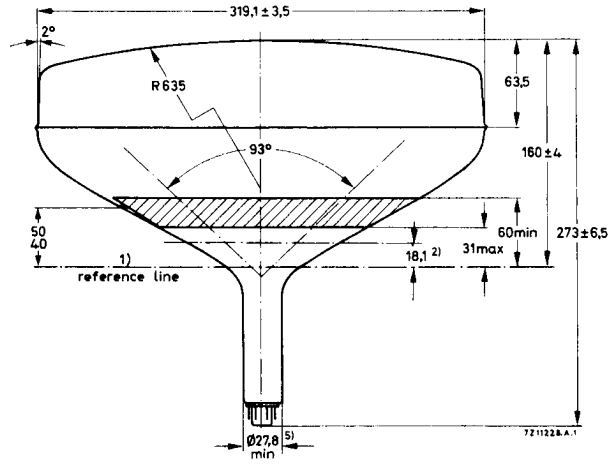
magnetic

Diagonal deflection angle	110°
Horizontal deflection angle	93°
Vertical deflection angle	76°

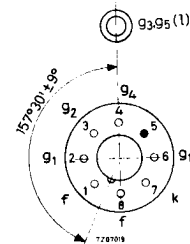
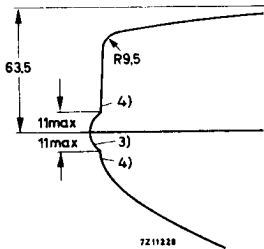
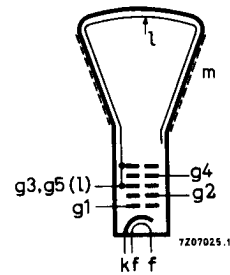
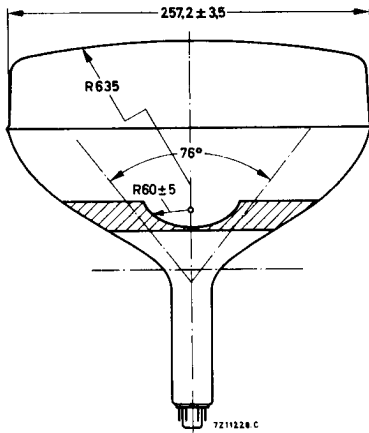
Deflection coil AT1038/40A or AT1039/.. is recommended.

MECHANICAL DATA

Dimensions in mm



MECHANICAL DATA (continued)



Mounting position: any

Base

Neo eightar (B8H), IEC67-I-3 1a

Cavity contact

CT8, IEC67-III-2

Accessories

Final accelerator contact connector

type 55563A

Socket

2422 501 06001

**NOTES TO OUTLINE DRAWING**

- 1) The reference line is determined by the plane of the upper edge of the flange of reference line gauge, (JEDEC126) when the gauge is resting on the cone.
- 2) End of guaranteed contour. The maximum neck and cone contour is given by the Reference line gauge.
- 3) Bulge at splice-line seal may increase the indicated maximum value for envelope width, diagonal and height by not more than 6,4 mm, but at any point around the seal, the bulge will not protrude more than 3,2 mm beyond the envelope surface at the location specified for dimensioning the envelope width, diagonal and height.
- 4) The tube should be supported on both sides of the bulge. The mechanism used should provide clearance for the maximum dimensions of the bulge.
- 5) The maximum dimension is determined by the reference line gauge



**PICTURE CENTRING MAGNET**

Field intensity perpendicular to the tube axis adjustable from 0 to 800 A/m (0 to 10 oersted ). Adjustment of the centring magnet should not be such that a general reduction in brightness or shading of the raster occurs.

**CAPACITANCE**

Control grid to all other elements	$C_{g1}$	6.0	pF
Cathode to all other elements	$C_k$	5.0	pF
Final accelerator to external conductive coating	$C_{g3, g5(\ell)/m}$	600	pF

**TYPICAL OPERATING CONDITIONS**

Final accelerator voltage	$V_{g3, g5(\ell)}$	16	kV
Focusing electrode voltage	$V_{g4}$	0 to 400	V <sup>1)</sup>
First accelerator voltage	$V_{g2}$	400	V
Grid No. 1 voltage for visual extinction of a focused raster	$-V_{g1}$	40 to 85	V

**RESOLUTION**

Resolution at screen centre, measured with the shrinking raster method (non-interlaced raster), under typical operating conditions, a beam current of 100  $\mu$ A, and focusing voltage adjusted for optimum spot size

min.	650	lines
------	-----	-------

**LIMITING VALUES** (Absolute max. rating system)

Voltages are specified with respect to cathode unless otherwise stated.

Final accelerator voltage	$V_{g3, g5(\ell)}$	max.	18	kV
		min.	13	kV
Focusing electrode voltage	$V_{g4}$	max.	1	kV
	$-V_{g4}$	max.	0, 5	kV
First accelerator voltage	$V_{g2}$	max.	550	V
		min.	350	V
Control grid voltage, negative	$-V_{g1}$	max.	150	V
positive	$V_{g1}$	max.	0	V
positive peak	$V_{g1p}$	max.	2	V
Cathode to heater voltage, positive	$V_{kf}$	max.	250	V
positive peak	$V_{kfp}$	max.	300	V
negative	$-V_{kf}$	max.	135	V
negative peak	$-V_{kfp}$	max.	180	V

<sup>1)</sup> With the small change in focus spot size with variation of focus voltage the limit of 0 to 400 V is such that an acceptable focus quality is obtained within this range. If it is required to pass through the point of focus, a voltage of at least -100 V to +500 V will be required.

**CIRCUIT DESIGN VALUES**

Focusing electrode current, positive	$I_{g4}$	max.	25	$\mu\text{A}$
negative	$-I_{g4}$	max.	25	$\mu\text{A}$
Grid no. 2 current, positive	$I_{g2}$	max.	5	$\mu\text{A}$
negative	$-I_{g2}$	max.	5	$\mu\text{A}$

**MAXIMUM CIRCUIT VALUES**

Resistance between cathode and heater	$R_{kf}$	max.	1	$\text{M}\Omega$
Impedance between cathode and heater ( $f = 50 \text{ Hz}$ )	$Z_{kf}$	max.	500	$\text{k}\Omega$
Resistance between grid no. 1 and earth	$R_{g1}$	max.	1, 5	$\text{M}\Omega$
Impedance between cathode and earth ( $f = 50 \text{ Hz}$ )	$Z_k$	max.	100	$\text{k}\Omega$

**WARNING**

X-ray shielding is advisable to give protection against possible danger of personal injury arising from prolonged exposure at close range to this tube when operated above 16 kV.

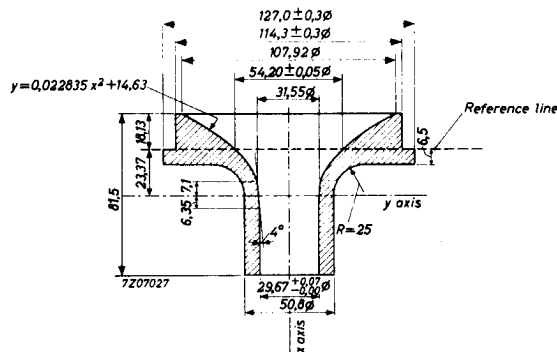
**EXTERNAL CONDUCTIVE COATING**

This tube has an external conductive coating (m), which must be earthed and capacitance of this to the final electrode is used to provide smoothing for the EHT supply. The tube marking and warning labels are on the side of the cone opposite the final electrode connector and this side should not be used for making contact to the external conductive coating.

**REFERENCE LINE GAUGE**

Dimensions in mm

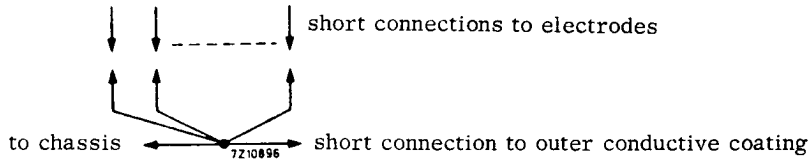
JEDEC126



**REMARK**

With the high voltage used with this tube internal flash-overs may occur. These may destroy the cathode of the tube. Therefore it is necessary to provide protective circuits, using spark gaps.

The spark gaps must be connected as follows:



No other connections between the outer conductive coating and the chassis are permissible.

On request the tube can be supplied with spark traps mounted in the base (ring trap base).

## MONITOR TUBE

The M38-121 is a 38 cm-diagonal rectangular television tube with metal backed screen and integral protection primarily intended for use as a monitor or display tube.

### QUICK REFERENCE DATA

Deflection angle	110°		
Focusing	electrostatic		
Resolution	min.	650	lines
Overall length	max.	279,5	mm

### SCREEN

Metal backed phosphor

Luminescence	white		
Light transmission of face glass		50	%
Useful diagonal	min.	350	mm
Useful width	min.	290	mm
Useful height	min.	226	mm

### HEATING

Indirect by a. c. or d. c. ; parallel or series supply

Heater voltage	$V_f$	6,3	V
Heater current	$I_f$	300	mA

### FOCUSING

electrostatic

For focusing voltage providing optimum focus at screen centre at a beam current of 100  $\mu$ A see under "Typical operating conditions".

### DEFLECTION

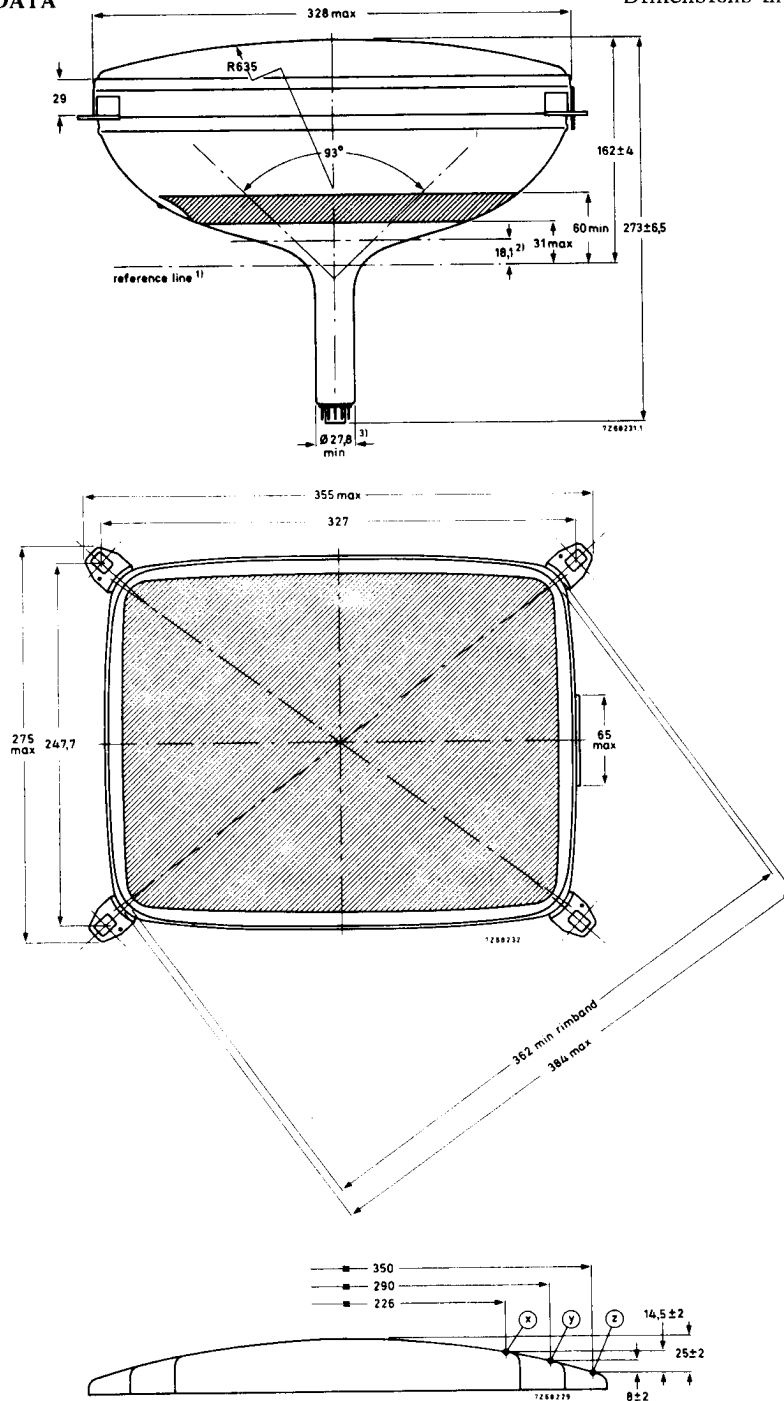
magnetic

Diagonal deflection angle	110°
Horizontal deflection angle	93°
Vertical deflection angle	76°

Deflection coil AT1038/40A or AT1039/.. is recommended.

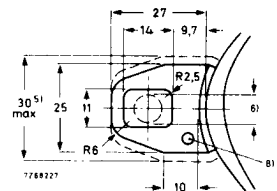
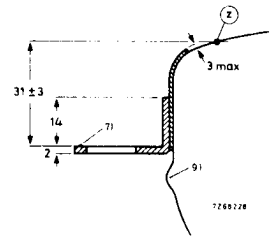
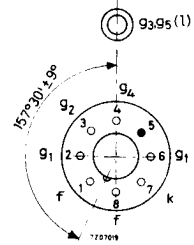
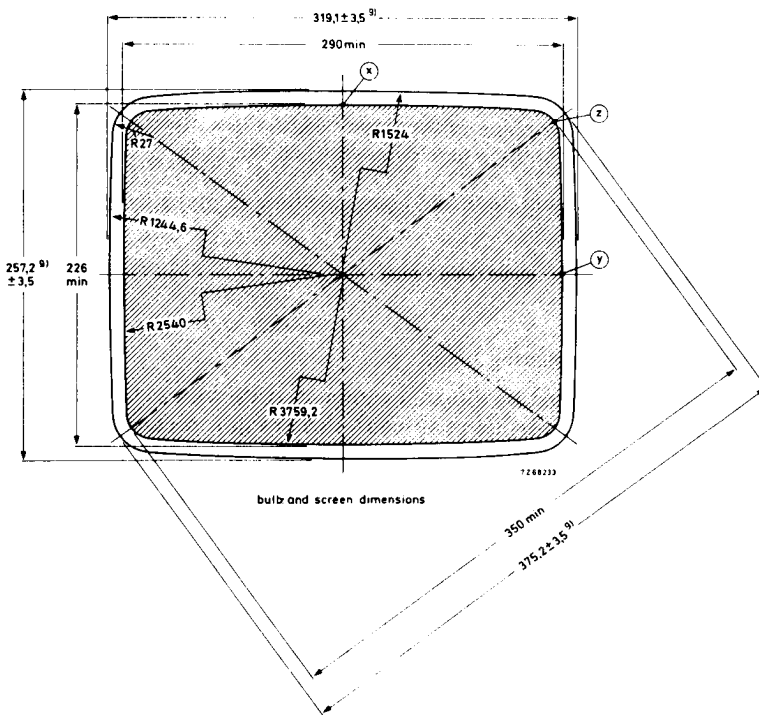
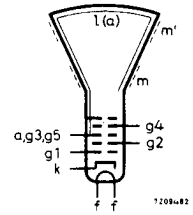
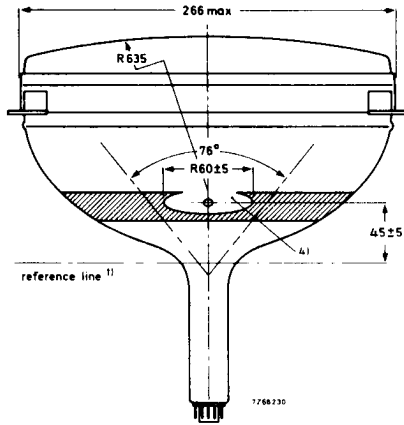
MECHANICAL DATA

Dimensions in mm



MECHANICAL DATA (continued)

Dimensions in mm



**MECHANICAL DATA** (continued)

Mounting position: any

Base Neo eightar (B8H), IEC67-I-31a

Cavity contact CT8, IEC67-III-2

Accessories

Socket 2422 501 06001

Final accelerator contact connector type 55563

**PICTURE CENTRING MAGNET**

Field intensity perpendicular to the tube axis from 0 to 800 A/m (0 to 10 Oe). Adjustment of the centring magnet should not cause a general reduction in brightness or shading of the raster.

**NOTES TO OUTLINE DRAWING**

- 1) The reference line is determined by the plane of the upper edge of the flange of the reference line gauge, (JEDEC 126) when the gauge is resting on the cone.
- 2) End of guaranteed contour. The maximum neck and cone contour is given by the reference line gauge.
- 3) The maximum dimension is given by the reference line gauge.
- 4) This area must be kept clean.
- 5) Minimum space to the reserved for mounting lugs.
- 6) The mounting screws in the cabinet must be situated within a circle with a diameter of 7,5 mm drawn around the true geometrical positions ( corners of a rectangle of 327 mm x 247,7 mm ).
- 7) The maximum displacement of any lug with respect to the plane trough the other three lugs is 2 mm.
- 8) The metal rimband must be earthed. Holes of 3 mm diameter in each lug are provided for this purpose.
- 9) The bulge at the pliceline seal may increase the indicated maximum value for envelope width, diagonal and height by not more than 6,4 mm, but at any point around the seal the bulge will not protrude more than 3,2 mm beyond the envelope surface.

**CAPACITANCES**

Final accelerator to external conductive coating	$C_{g3, g5(\ell)/m}$	450 to 650	pF
Final accelerator to metal band	$C_{g3, g58\ell 9/m'}$	240	pF
Cathode to all other elements	$C_k$	5	pF
Control grid to all other elements	$C_{g1}$	6	pF

**TYPICAL OPERATING CONDITIONS**

Final accelerator voltage	$V_{g3, g5(\ell)}$	16	kV
Focusing electrode voltage	$V_{g4}$	0 to 400	V <sup>1)</sup>
First accelerator voltage	$V_{g2}$	400	V
Grid No. 1 voltage for visual extinction of a focused raster	$-V_{g1}$	40 to 85	V

**RESOLUTION**

Resolution at screen centre, measured with the shrinking raster method ( non-interlaced raster), under typical operating conditions, a beam current of 100  $\mu$ A, and focusing voltage adjusted for optimum spot size

min. 650 lines

**LIMITING VALUES** (Absolute max. rating system)

Voltages are specified with respect to cathode unless otherwise stated.

Final accelerator voltage	$V_{g3, g5(\ell)}$	max. 18	kV
		min. 13	kV
Focusing electrode voltage	$V_{g4}$	max. 1000	V
	$-V_{g4}$	max. 500	V
First accelerator voltage	$V_{g2}$	max. 550	V
		min. 350	V
Control grid voltage, negative	$-V_{g1}$	max. 150	V
positive	$V_{g1}$	max. 0	V
positive peak	$V_{g1p}$	max. 2	V
Cathode to heater voltage, positive	$V_{kf}$	max. 250	V
positive peak	$V_{kfp}$	max. 300	V
negative	$-V_{kf}$	max. 135	V
negative peak	$-V_{kfp}$	max. 180	V

<sup>1)</sup> With the small change in focus spot size with variation of focus voltage the limit of 0 to 400 V is such that an acceptable focus quality is obtained within this range. If it is required to pass through the point of focus, a voltage range of at least -100 to +500 V will be required.



### CIRCUIT DESIGN VALUES

Focusing electrode current, positive	$I_{g4}$	max.	25	$\mu A$
negative	$-I_{g4}$	max.	25	$\mu A$
Grid No. 2 current, positive	$I_{g2}$	max.	5	$\mu A$
negative	$-I_{g2}$	max.	5	$\mu A$

### MAXIMUM CIRCUIT VALUES

Resistance between cathode and heater	$R_{kf}$	max.	1	$M\Omega$
Impedance between cathode and heater (f = 50 Hz)	$Z_{kf}$	max.	500	$k\Omega$
Resistance between grid no. 1 and earth	$R_{g1}$	max.	1,5	$M\Omega$
Impedance between cathode and earth (f = 50 Hz)	$Z_k$	max.	100	$k\Omega$

### WARNING

X-ray shielding is advisable to give protection against possible danger of personal injury arising from prolonged exposure at close range to this tube when operated above 16 kV.

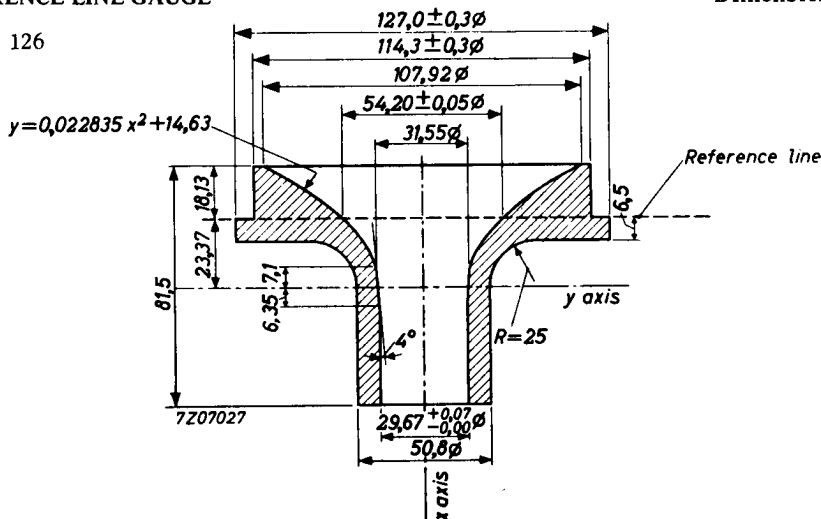
### EXTERNAL CONDUCTIVE COATING

This tube has an external conductive coating (m), wich must be earthed and capacitance of this to the final electrode is used to provide smoothing for the EHT supply. The tube marking and warning labels are on the side of the cone opposite the final electrode connector and this side should not be used for making contact to the external conductive coating.

### REFERENCE LINE GAUGE

Dimensions in mm

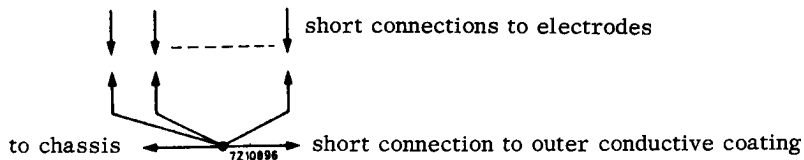
JEDEC 126



**REMARK**

With the high voltage used with this tube internal flash -overs may occur. These may destroy the cathode of the tube. Therefore it is necessary to provide protective circuits, using spark gaps.

The spark gaps must be connected as follows:



No other connections between the outer conductive coating and the chassis are permissible.

On request the tube can be supplied with spark traps mounted in the base (ring trap base).

## VERY HIGH RESOLUTION CATHODE-RAY TUBE

The M38-200 is a 38 cm, 70° data graphic display tube with a resolution of more than 6,6 line pairs per mm (corresponding to 3000 TV lines). Used in conjunction with deflection unit AT1991 it is eminently suitable for full page document display.

The resolution easily meets the stringent requirements of the CCITT recommendations for digital group III, high resolution facsimile transmission, and those of graphic displays for computer-aided design.

Tubes with white (WA and WE) or green (GH) screen phosphors are standard; the WE phosphor is recommended for photographic applications. Other phosphors are available to special order. The tubes have a metal-backed screen and rim band for implosion protection.

### QUICK REFERENCE DATA

Deflection angle	70°	
Face diagonal	38 cm	
Overall length	478 mm	
Neck diameter	36,8 mm	
Screen dimensions	226 mm x 291 mm	
Resolution	3000 TV lines*	←
	1800 lines*	←
	(shrinking raster)	

\* Landscape format.

**ELECTRICAL DATA**

## Capacitances

cathode to all other electrodes  
 grid 1 to all other electrodes  
 final accelerator to external conductive coating  
 final accelerator to tension band

$C_k$  4 pF  
 $C_{g1}$  12 pF  
 $C_{g3, g5(I)/m}$  1000 pF  
 $C_{g3, g5(I)/m'}$  220 pF

## Focusing method

electrostatic

## Deflection method

magnetic\*

## Deflection angle

approx. 70°

## Heating

heater voltage  
 heater current

indirect by AC or DC

 $V_f$  6,3 V ± 5 % $I_f$  190 mA\*\***OPTICAL DATA**

## Screen

metal-backed phosphor

## Phosphor type

fluorescent colour  
 persistence

GH	WA	WE
green	white	white
medium	medium	medium
short		short

## Screen dimensions

226 mm x 291 mm

## Minimum useful screen diagonal

352 mm

## Preferable useful scanning area

200 mm x 270 mm

## Reduction for A4 size (297 mm x 210 mm)

9%

## Reduction for 11" x 8½" size (279 mm x 216 mm)

7,4%

## Light transmission of screen

approx. 50%

\* To obtain the best tube performance, deflection unit AT1991 should be used.

\*\* Liable to be modified into 240 mA.

**MECHANICAL DATA**

Overall length	478 ± 6,5 mm
Neck diameter	36,8 ± 0,8 mm
Base	JEDEC B12-246
Final accelerator contact	cavity contact, CT8; IEC 67-III-2
Mounting position	any
Implosion protection	rim band
Net mass	approx. 6 kg
Accessories	
socket	type 55589
final accelerator contact connector	type 55563A
deflection unit	type AT1991

MECHANICAL DATA (continued)

Dimensions in mm

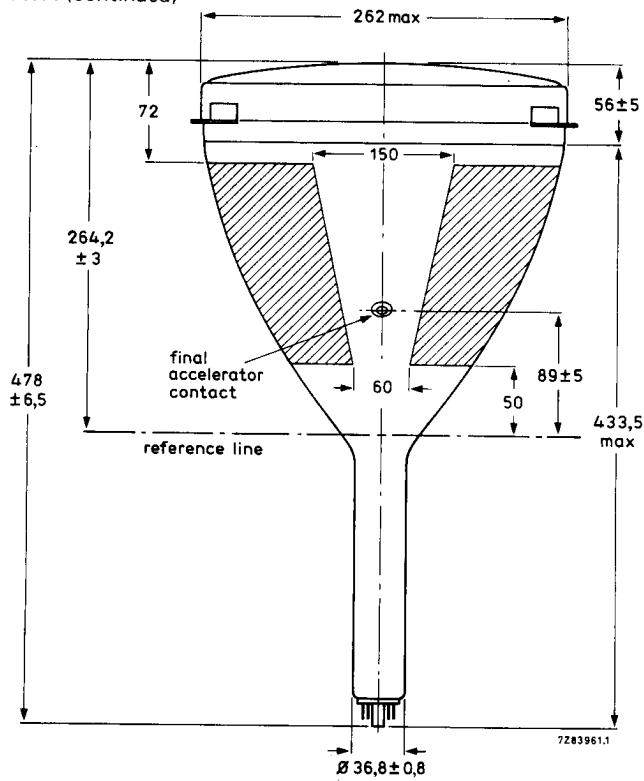


Fig. 1a.

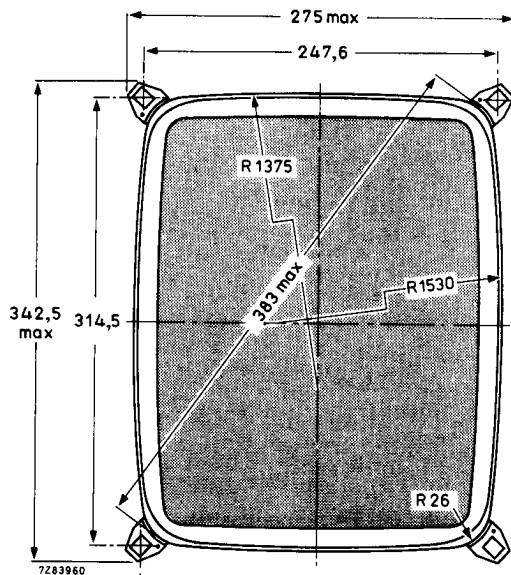


Fig. 1b.

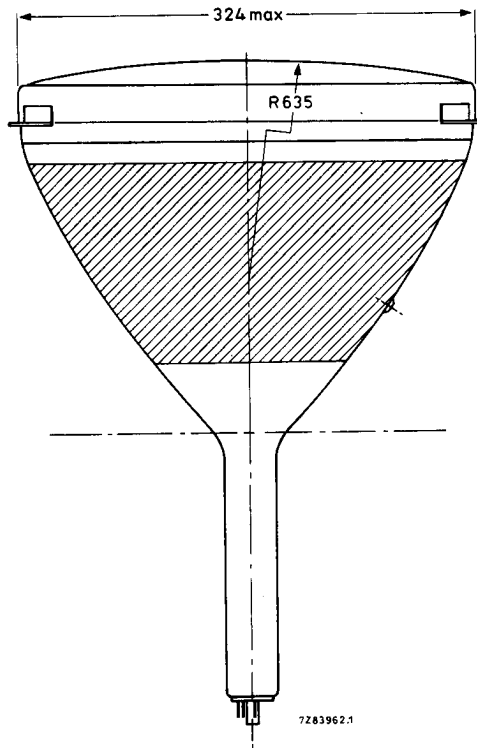


Fig. 1c.

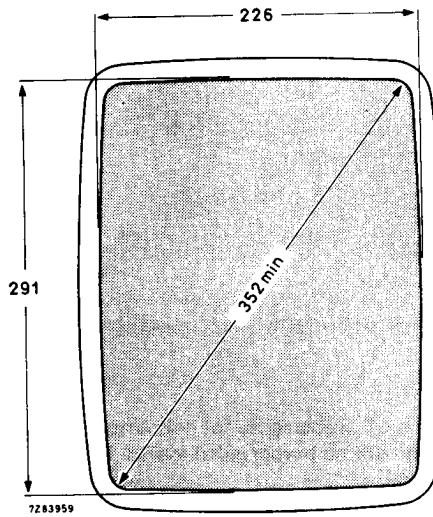


Fig. 2.

MECHANICAL DATA (continued)

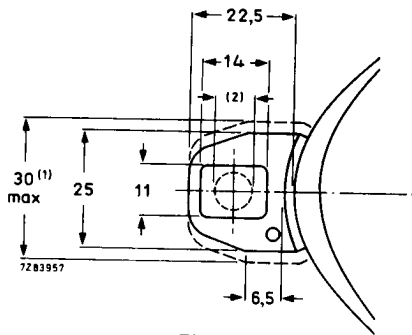


Fig. 3.

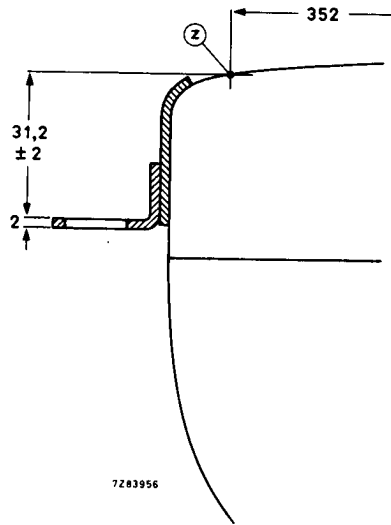


Fig. 4.

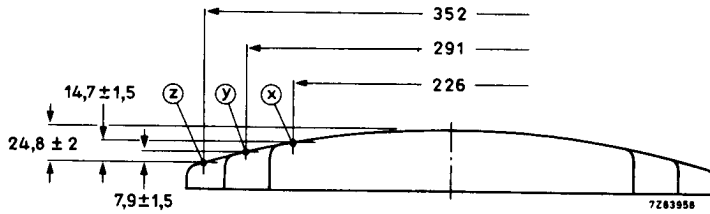


Fig. 5.

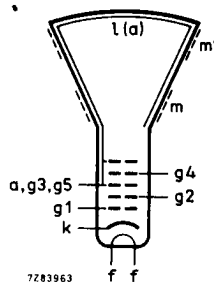


Fig. 6.

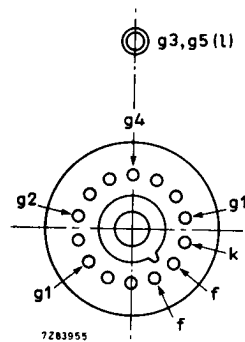


Fig. 7.

Notes

1. Minimum space to be reserved for mounting lugs.
2. The mounting screws in the cabinet must be situated within a circle with a diameter 7,5 mm drawn around the true geometrical positions (corners of a rectangle of 314,5 mm x 247,6 mm).



Reference line gauge, JEDEC 110

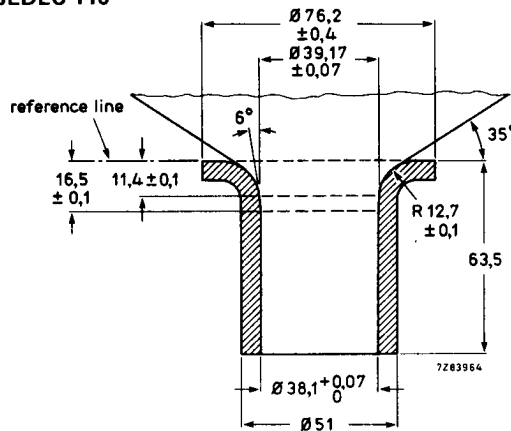


Fig. 8.

RECOMMENDED OPERATING CONDITIONS; voltages with respect to cathode\*

Final accelerator voltage	$V_{g3, g5}$	18 kV	←
Focusing electrode voltage	$V_{g4}$	5 to 7 kV**	
Dynamic focusing	$\Delta V_{g4}$	200 to 300 V▲	
First accelerator voltage	$V_{g2}$	800 V	
Cut-off voltage for visual extinction of focused spot	$-V_{g1}$	50 to 110 V	
Grid drive for 30 $\mu A$ screen current	$V_d$	approx. 20 V	

RESOLUTION

With a beam current ( $I_a$ ) of 30  $\mu A$ , the spot diameter at a brightness level of 50% is approx. 120  $\mu m$  (see Fig. 9).

CIRCUIT DESIGN VALUES

Grid 4 current				
positive	$I_{g4}$	max.	6 $\mu A$	←
negative	$-I_{g4}$	max.	6 $\mu A$	←
Grid 2 current				
positive	$I_{g2}$	max.	5 $\mu A$	
negative	$-I_{g2}$	max.	5 $\mu A$	

\* The tube has internal magnetic correction for astigmatism. To avoid changing this correction, the coil must be at zero potential, before being moved on the tube neck.

\*\* For optimum focus at screen centre.

▲ To obtain optimum focus over the whole useful screen area, dynamic correction voltages should be applied in N-S and E-W directions; these voltages should be adjustable separately within the indicated range.

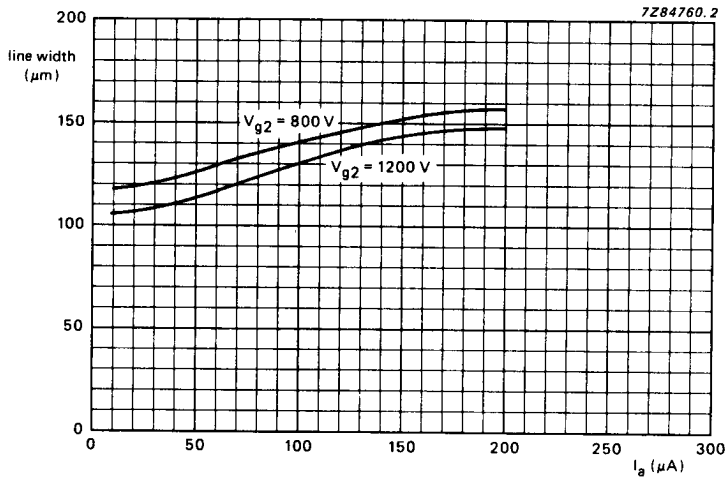
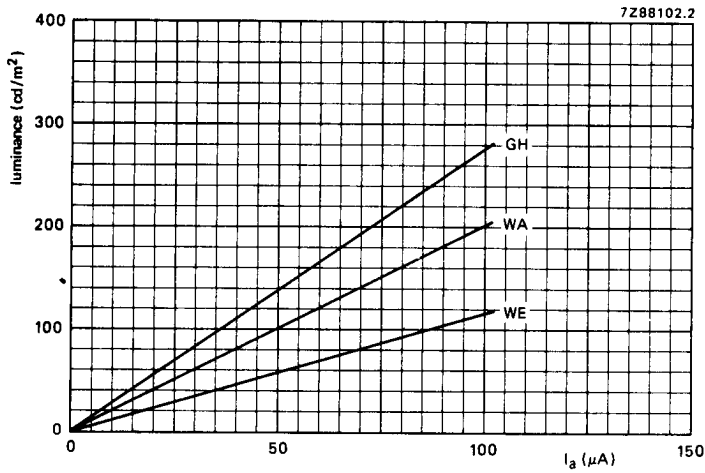
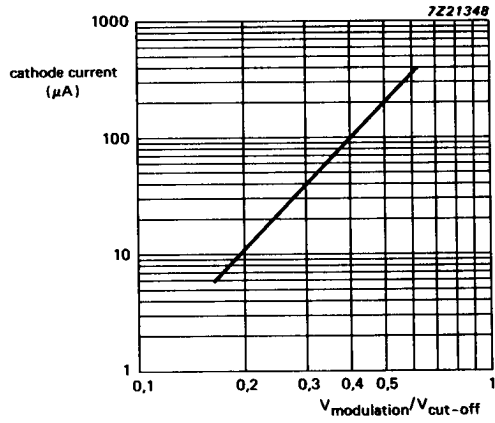


Fig. 9 Resolution.



Luminance is measured with a photo-cell, the spectral response of which is identical to that of the human eye, on a 312 lines non-interlaced raster, screen dimensions 226 mm x 291 mm, frame frequency 50 Hz.

Fig. 10 Luminance.



$V_{\text{co}} = 74,5 \text{ V}$ ,  $V_{\text{g2}} = 800 \text{ V}$ ,  $V_{\text{g3,g5}} = 18 \text{ kV}$ .

Fig. 11 Grid drive.

**LIMITING VALUES** (Absolute maximum rating system)

Voltages are specified with respect to cathode unless otherwise stated.

Final accelerator voltage	$V_{g3, g5(l)}$	max.	20 kV
Focusing electrode voltage	$V_{g4}$	max. min.	8 kV 4 kV
First accelerator voltage	$V_{g2}$	max.	1,2 kV
Control grid voltage			
negative	$-V_{g1}$	max.	140 V
positive, non-repetitive	$V_{g1}$	max.	0 V
Cathode to heater voltage			
positive	$V_{kf}$	max.	250 V
positive peak	$V_{kfp}$	max.	300 V
negative	$-V_{kf}$	max.	135 V
negative peak	$-V_{kfp}$	max.	180 V

**LIMITING CIRCUIT VALUES**

Resistance between cathode and heater	$R_{kf}$	max.	1 M $\Omega$
Impedance between cathode and heater (f = 50 Hz)	$Z_{kf}$	max.	500 k $\Omega$
Grid 1 circuit resistance	$R_{g1}$	max.	1,5 M $\Omega$
Impedance between cathode and earth	$Z_k$	max.	100 k $\Omega$

**X-RADIATION**

→ See Figs 13 and 14.

**FLASHOVER PROTECTION**

With the high voltage used with this tube internal flashovers may occur. These may destroy the cathode of the tube. Therefore it is necessary to provide protective circuits, using spark gaps. The spark gaps must be connected as follows:

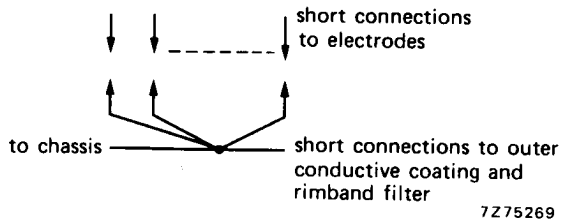
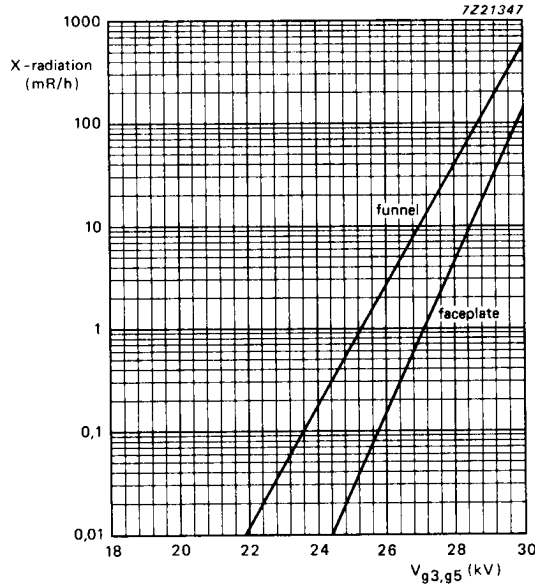


Fig. 12.

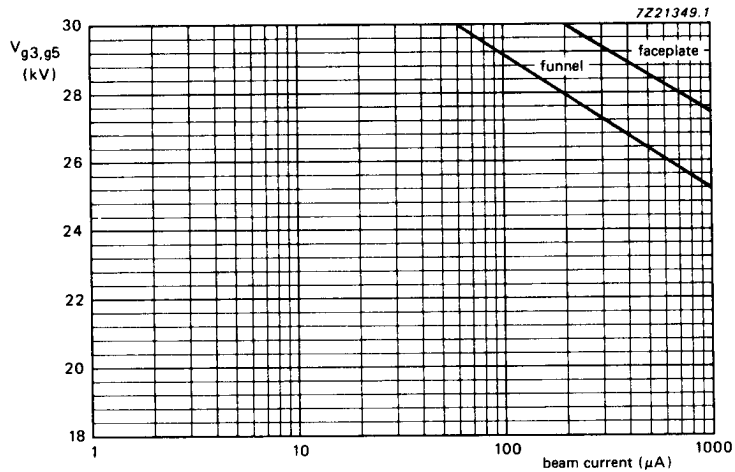
No other connections between the outer conductive coating and the chassis are permissible.

X-RADIATION LIMIT



Anode button has no measureable radiation up to 30 kV.

Fig. 13 X-radiation limit curves, at a constant anode current of 250  $\mu\text{A}$ , measured in accordance with TEPAC164.



Anode button has no measureable radiation up to 30 kV and 1500  $\mu\text{A}$ .

Fig. 14 0,5 mR/h isoexposure-rate limit curves, measured according to TEPAC164.

## VERY HIGH RESOLUTION CATHODE-RAY TUBE/COIL ASSEMBLY

This tube/coil assembly consists of the very high resolution tube M38-200 and the deflection unit AT1991. The assembly is adjusted for astigmatism correction of the spot, over the entire screen. For further information see the data sheets of M38-200 and AT1991.

### QUICK REFERENCE DATA

---

Deflection angle	70°
Face diagonal	38 cm
Overall length	478 mm
Neck diameter	36,8 mm
Screen dimensions	226 mm x 291 mm
Resolution	3000 TV lines* 1800 lines* (shrinking raster)

---

MECHANICAL DATA

Dimensions in mm

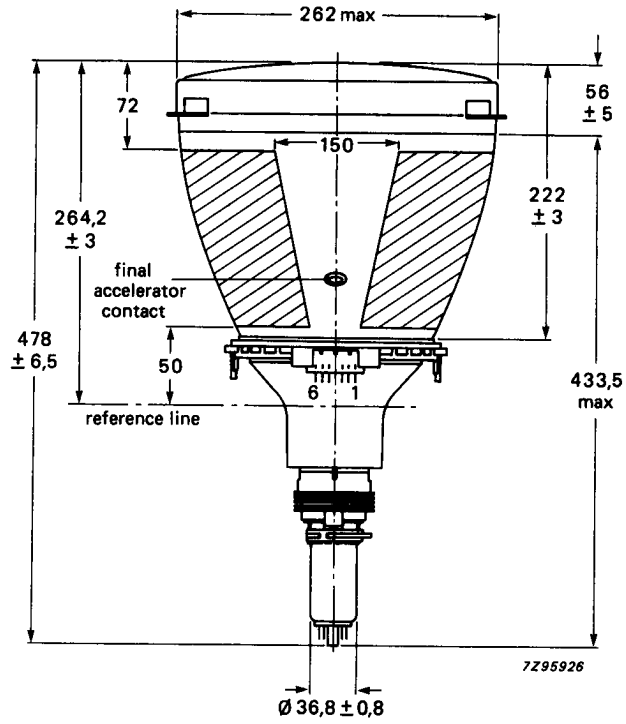


Fig. 1 M38-201 tube assembly.

MECHANICAL DATA (continued)

Dimensions in mm

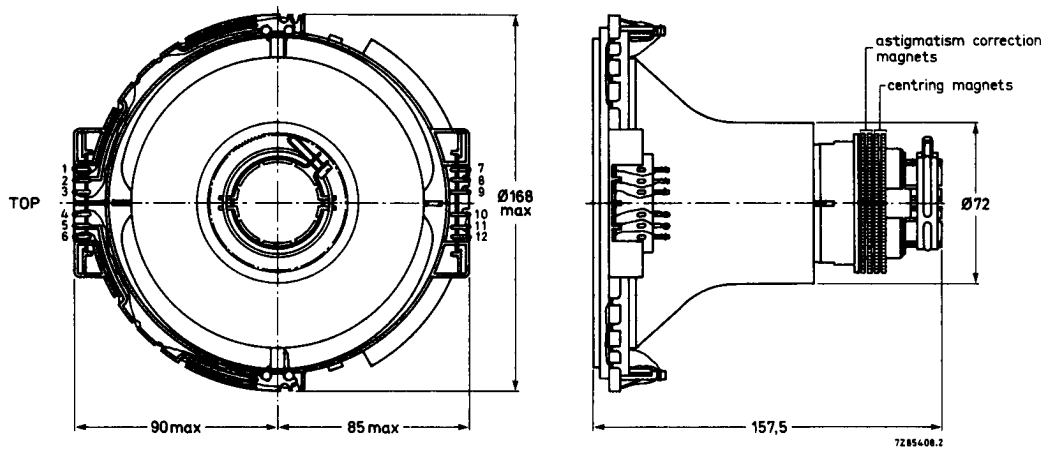


Fig. 2 AT1991 deflection unit.



**ELECTRICAL DATA** (for landscape format: 290 mm x 225 mm scan)

Line deflection coils, parallel connected; (see Fig. 3)

inductance (at 1 kHz)

resistance (DC)

140  $\mu$ H

0,23  $\Omega$

Line deflection current, for 290 mm scan, at 18 kV

7,6 A

Field deflection coils, parallel connected; (see Fig. 3)

inductance (at 1 kHz)

resistance (DC)

5 mH

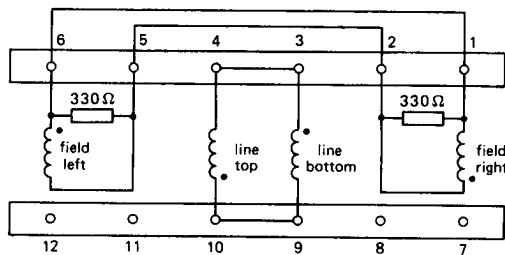
5,6  $\Omega$

Field deflection current, for 225 mm scan, at 18 kV

940 mA

Maximum voltage between line and field coils

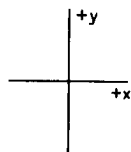
2500 V (DC)



7295925

Fig. 3 Diagram of the coils. The beginning of the windings are indicated with ●.

**Geometric distortion** measured without centring magnets.



Fy: +1,0<sup>+1,5</sup>  
-1,0

Fx: -1,0<sup>+1,0</sup>  
-1,5

Gy: +1,0<sup>+1,5</sup>  
-1,0

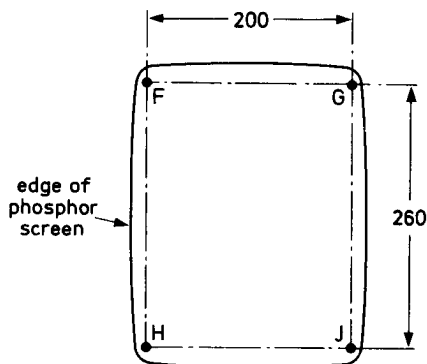
Gx: +1,0<sup>+1,5</sup>  
-1,0

Jy: -1,0<sup>+1,0</sup>  
-1,5

Jx: +1,0<sup>+1,5</sup>  
-1,0

Hy: -1,0<sup>+1,0</sup>  
-1,5

Hx: -1,0<sup>+1,0</sup>  
-1,5



7285406.1

Fig. 4.

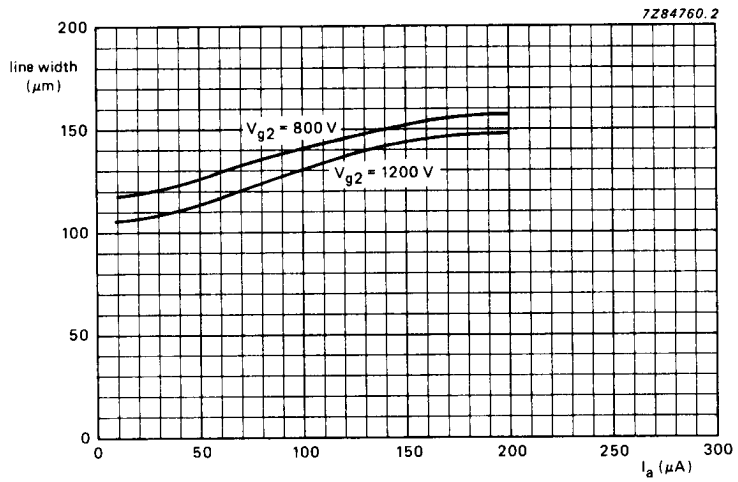


Fig. 5 Resolution.

**CENTRING CORRECTION \***

The eccentricity of the CRT and the deflection unit can be corrected by two independently movable centring magnets, which are magnetized diametrically (see Fig. 2). By turning the magnets with respect to each other the resulting field strength is varied. The direction of the resulting magnetic field is adjusted by turning the magnets simultaneously. The magnets must be adjusted so that the curvature of the horizontal and vertical axes disappears; in general the picture will be centred at the same time, otherwise this should be corrected electronically.

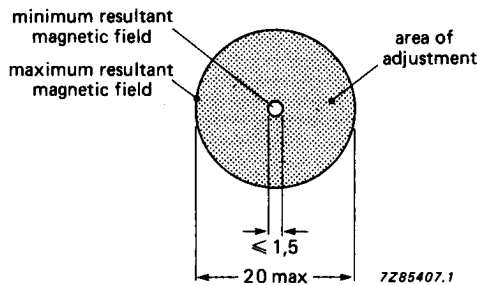


Fig. 6.

**ASTIGMATISM CORRECTION \***

The astigmatism of the undeflected beam can be corrected by two independently movable quadripole magnets, which are placed next to the centring magnets (see Fig. 2). By turning the quadripole magnets with respect to each other the resulting four-pole field strength varies. The direction of the resulting four-pole field is adjusted by turning the quadripole magnets simultaneously. The astigmatism of the undeflected beam is examined during a slow variation of the focusing voltage; the beam is free of astigmatism when the size, and not the shape, of the beam changes when the focusing voltage is varied around its optimum (Figs 7 and 8).

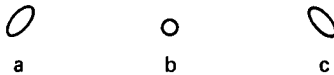


Fig. 7 Beam with astigmatism.

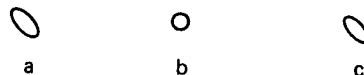


Fig. 8 Beam free of astigmatism.

- a. Focusing voltage  $<$  optimum value.
- b. Focusing voltage at optimum value.
- c. Focusing voltage  $>$  optimum value.

\* See "Precautions for use" overleaf.

**PRECAUTIONS FOR USE**

To avoid possible deterioration of the astigmatism correction quality of the assembly, the recommendations listed below should be adhered to:\*

- To avoid changing the tube's internal magnetic correction, the coil must be at zero potential before being moved on the tube neck.
- If centring correction is necessary, adjust the coil dipole magnets so that the spot shift at the screen centre does not exceed 1 cm from its original position.
- For picture geometric distortion correction, an electrical correction is preferable to magnetic adjustment.
- When used in portrait format it may be necessary to adjust the position of the coil quadripole magnets, in order to achieve optimum astigmatism correction.
- When used in landscape format no adjustment for astigmatism correction is necessary as optimum astigmatism correction is set in the factory.

\* The spot astigmatism correction quality is guaranteed for beam currents up to 250  $\mu\text{A}$ , provided these recommendations are followed.

FLYING SPOT SCANNER TUBE

## FLYING SPOT SCANNER TUBE

The Q13-110GU is a 13 cm diameter cathode-ray tube intended for flying spot applications.

QUICK REFERENCE DATA	
Accelerator voltage	25 kV
Deflection angle	40°
Resolution	1000 lines

### SCREEN

Metal backed phosphor

Type : GU

Colour : white

Persistence : very short

Useful screen diameter min. 108 mm

### HEATING

Indirect by A.C. or D.C.; series or parallel supply

Heater voltage  $V_f$  6,3 V

Heater current  $I_f$  300 mA

### CAPACITANCES

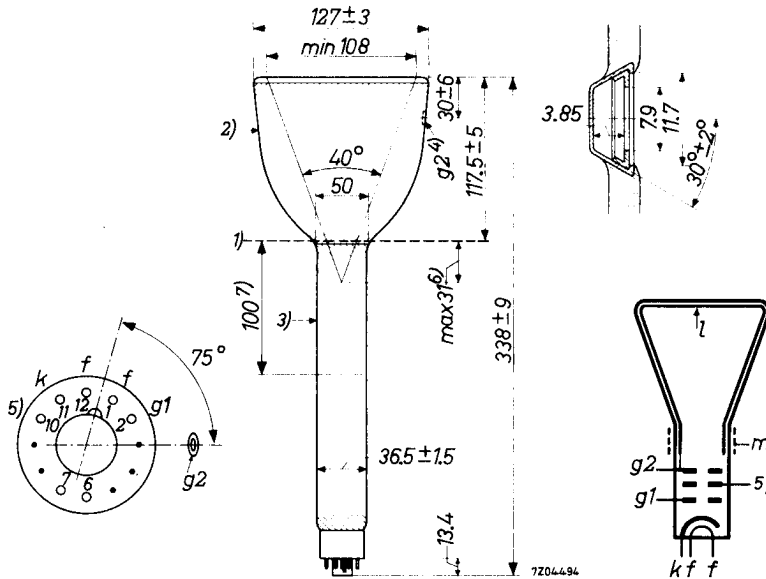
Grid No.1 to all other electrodes  $C_{g1}$  6,5 pF

Cathode to all other electrodes  $C_k$  6,5 pF

Accelerator to outer conductive coating  $C_{g2(\ell)/m}$  250 to 450 pF

MECHANICAL DATA

Dimensions in mm



Mounting position: any, except with screen downwards and the axis of the tube making an angle of less than 50° with the vertical.

Base

Duodecal 7p.

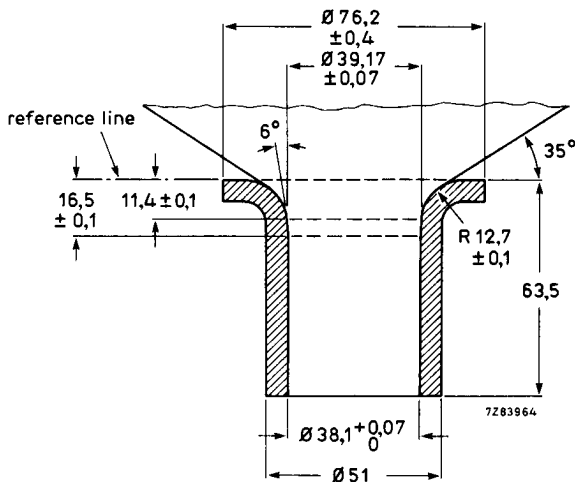
- 1) Reference line, determined by the plane of the upper edge of the reference line gauge when the gauge is resting on the cone.
- 2) Insulating outer coating; should not be in close proximity to any metal part.
- 3) Conductive outer coating; to be grounded.
- 4) Recessed cavity contact.
- 5) Spark trap; to be grounded.
- 6) The distance between the deflection centre and the reference line should not exceed 31 mm.
- 7) Distance between the centre of the magnetic length of the focusing unit and the reference line.

FOCUSING magnetic

DEFLECTION magnetic

REFERENCE LINE GAUGE

Dimensions in mm



**OPERATING CHARACTERISTICS**

Accelerator voltage

$V_{g2(l)}$  25 kV

Beam current

$I_l$  50 to 150  $\mu A$

Negative grid No. 1 cut-off voltage

$-V_{g1}(I_l=0)$  50 to 100 V

Resolution at centre of screen better than 1000 lines



**LIMITING VALUES** (Absolute max. rating system)

Accelerator voltage	$V_{g2(\ell)}$	max. 27 kV min. 20 kV
Grid No.1 voltage,		
negative value	$-V_{g1}$	max. 200 V
positive value	$+V_{g1}$	max. 0 V
peak positive value	$+V_{g1p}$	max. 2 V
Cathode current	$I_k$	max. 150 $\mu\text{A}$
Voltage between heater and cathode <sup>1)</sup>		
cathode negative	$V_{kf}$ (k neg.)	max. 125 V
cathode positive	$V_{kf}$ (k pos.)	max. 200 V
peak value, cathode positive	$V_{kf_p}$ (k pos.)	max. 410 V <sup>2)</sup>
External resistance between heater and cathode	$R_{kf}$	max. 1 M $\Omega$
External grid No.1 resistance	$R_{g1}$	max. 1.5 M $\Omega$
External grid No.1 impedance at a frequency of 50 Hz	$Z_{g1}$ (f = 50 Hz)	max. 0.5 M $\Omega$

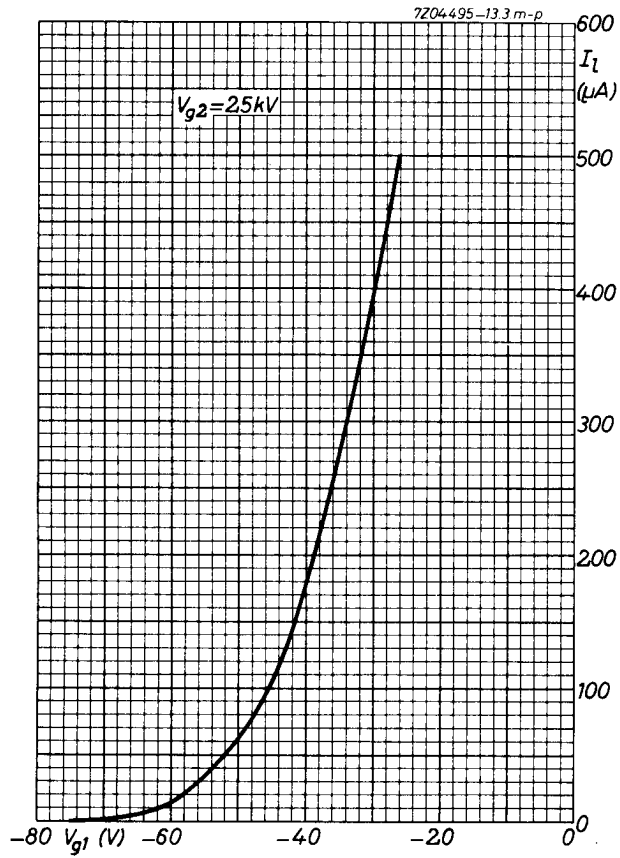
**REMARKS**

Measures should be taken for the beam current to be switched off immediately when one of the time-base circuits becomes defective.

An X-ray radiation shielding with an equivalent lead thickness of 0.5 mm is required to protect the observer.

<sup>1)</sup> In order to avoid excessive hum, the A.C. component of the heater to cathode voltage should be as low as possible and should not exceed 20  $V_{RMS}$ .

<sup>2)</sup> During a heating-up period not exceeding 45 sec.



## ACCESSORIES

## DEFLECTION UNIT

### QUICK REFERENCE DATA

Monitor tube	
diagonal	17 cm (7 in)
neck diameter	28,6 mm
Deflection angle	90°
Line deflection current, edge to edge at 15 kV	6,85 A (p-p)
Inductance of line coils (parallel connected)	84,5 $\mu$ H
Field deflection current, edge to edge at 15 kV	0,35 A (p-p)
Resistance of field coils (series connected)	16,8 $\Omega$

### APPLICATION

This deflection unit is for use with 17 cm (7 in) 70° monitor tube M17-142 in conjunction with:  
 line output transformer AT2102/02;  
 linearity control unit AT4036/00A;  
 line driver transformer AT4043/56.

### DESCRIPTION

The saddle-shaped line deflection coils are moulded so that the deflection centre is well within the conical part of the monitor tube. The field deflection coils are wound on a Ferroxcube yoke ring which is flared so that the frame and line deflection centres coincide. Provisions are made for centring, and correction of pin-cushion distortion. The unit meets the self-extinguishing and non-dripping requirements of IEC 65.

### MOUNTING

The unit should be mounted as far forward as possible on the neck of the monitor tube, so that it touches the cone.

To orient the raster correctly, the unit may be rotated by hand on the neck of the monitor tube, with which it makes a slip fit. A screw-tightened clamping ring permits it to be locked, both axially and radially, in the desired position.

## MECHANICAL DATA

Dimensions in mm

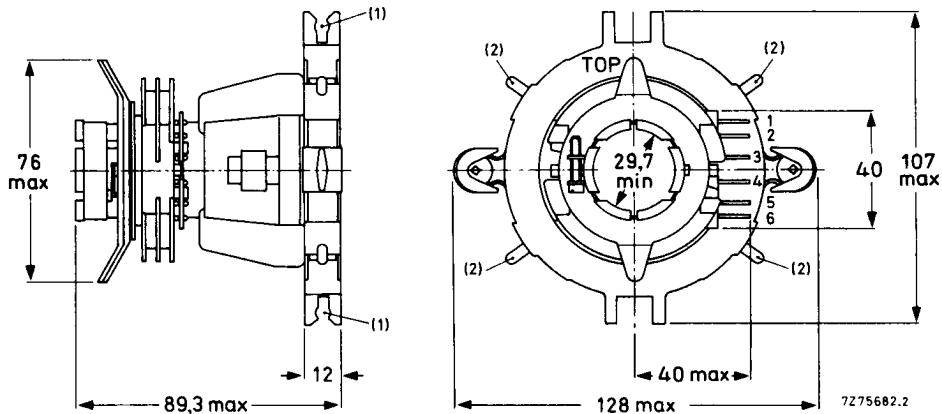


Fig. 1 Deflection unit AT1071/07; Facilities for fitting correction magnets:  
 (1) for plastic-bonded FXD magnet rods catalogue number 3122 104 90360;  
 (2) for plastic-bonded FXD magnets, catalogue number 3122 104 94120.

The unit is provided with solder pins for connection. The pin numbering in Fig. 1 corresponds to that in the connection diagram (Figs 2a and 2b).

## ELECTRICAL DATA

**Line deflection coils (Fig. 2a);**

Inductance (parallel connected coils)	84,5 $\mu$ H $\pm$ 3,5%
Resistance (parallel connected coils)	0,14 $\Omega$ $\pm$ 8%
Line deflection current, edge to edge (116 mm) at 15 kV	6,85 A (p-p)

**Field deflection coils, series connected (Fig. 2b);**

Inductance	41,6 mH $\pm$ 8%
Resistance	16,8 $\Omega$ $\pm$ 8%
Field deflection current, edge to edge (87 mm) at 15 kV	0,35 A (p-p)
Maximum d.c. voltage between terminals of line and field coils	2000 V
Maximum operating temperature	95 $^{\circ}$ C

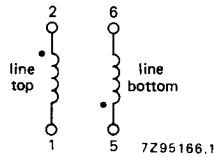


Fig. 2a Line coils.

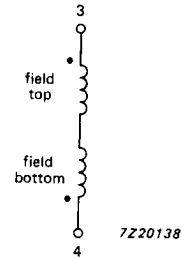


Fig. 2b Field coils.

The beginning of the windings is indicated with ●.

**Sensitivity** measured at an e.h.t. of 15 kV on a 17 cm (7 in) 70° reference tube.

Deflection current edge to edge

in line direction

6,85 A (p-p)

in field direction (parallel connected coils)

0,35 A (p-p)

**Geometric distortion** measured without correction and centring magnets on a 17 cm (7 in) 70° reference tube (dimensions in mm)

The spreads in raster geometry are tabulated below as deviations from the ideal rectangle at the points indicated. Cartesian coordinates are used to show the extent of deviation resolved along x and y areas. Points A, B, C, D, E are fixed and hence zero spreads.

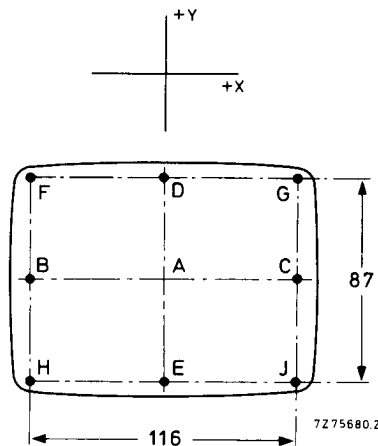


Fig. 3.

**Spreads (x,y) per point**

F (-0,5 ± 2,0 , +1,0 ± 1,5)

G (+0,5 ± 2,0 , +1,0 ± 1,5)

H (-0,5 ± 2,0 , -1,0 ± 1,5)

J (+0,5 ± 2,0 , -1,0 ± 1,5)

## CORRECTION FACILITIES

### For centring

After adjustment of the linearity of the deflection current, the eccentricity of the monitor tube and the deflection unit can be corrected by means of two independently movable centring magnets of plastic-bonded Ferroxdure. These magnets are magnetized diametrically. By turning the magnets with respect to each other the resulting field strength is varied. The direction of the resulting magnetic field is adjusted by turning the magnets simultaneously.

These centring magnets cannot be used for compensating the effects of non-linearity or of phase differences between the synchronization and time base, as otherwise the correction needed becomes excessive. Even if the correction is within the range of the magnets, curved lines may appear in the centre of the raster.

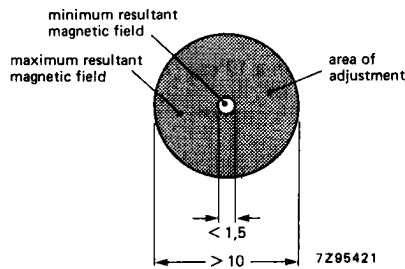


Fig. 4.

### For pin-cushion distortion

Pin-cushion distortion can be corrected by two Ferroxdure magnets with pole-shoe brackets, which have been mounted on the deflection unit. Limited correction of asymmetrical pin-cushion distortion can be achieved by unequal movement of these magnets. The field strength can be adjusted by rotation of these magnets. To correct the top and bottom of the raster, two plastic-bonded Ferroxdure magnet rods\* can be fitted (Fig. 1). To correct the corners of the raster, four plastic-bonded Ferroxdure magnets\*\* (Fig. 1) can be fitted.

\* Available under catalogue number 3122 104 90360.

\*\* Available under catalogue number 3122 104 94120.

## DEFLECTION UNIT

- For use with very high resolution CRTs (15 to 20 inch)

### QUICK REFERENCE DATA

---

Inductance of line deflection coils, parallel connected, at 1 kHz	140 $\mu$ H
Resistance of line deflection coils (DC), parallel connected	0,23 $\Omega$
Inductance of field deflection coils, parallel connected, at 1 kHz	5 mH
Resistance of field deflection coils (DC)	5,6 $\Omega$
Maximum voltage between line and field coils (DC)	2500 V
Line scan frequency	max. 125 kHz

---

### DESCRIPTION

The saddle-shaped line and field deflection coils are surrounded by a Ferroxcube yoke ring in such a way that the line and field deflection centres coincide. Provisions are made for centring correction, and astigmatism correction of the spot at the screen centre. The field coils have internal damping resistors. The unit has a non-magnetic metal clamping ring for fixing to the tube neck.

The deflection unit meets the self-extinguishing requirements of UL.



## MECHANICAL DATA

Dimensions in mm

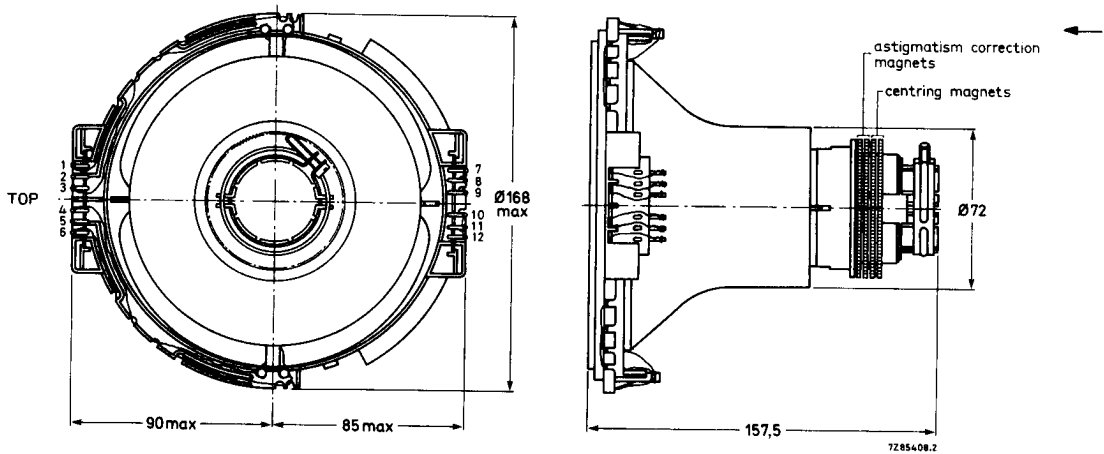


Fig. 1.

Tightening torque on clamping ring

1,3 to 1,5 Nm

Torque on centring magnets

35 to 250 mNm

**Mounting**

The unit should be mounted as far forward as possible on the neck of the tube, so that it touches the cone.

To orient the raster correctly, the unit may be manually rotated around the neck. The screw-tightened clamping ring permits it to be locked, both axially and radially, in the desired position.

**ENVIRONMENTAL DATA**

Maximum operating temperature (average copper temperature)

95 °C

Storage temperature range

-25 to + 90 °C

Flame retardant

according to UL94,  
category V - 1

Flammability

according to UL94,  
category V - 1

**ELECTRICAL DATA**

Line deflection coils, parallel connected; (see Fig. 2)  
 inductance (at 1 kHz)  
 resistance (DC)

140  $\mu\text{H}$   
 0,23  $\Omega$

Line deflection current, for 290 mm scan, at 18 kV\*

7,6 A

Field deflection coils, parallel connected; (see Fig. 2)  
 inductance (at 1 kHz)  
 resistance (DC)

5 mH  
 5,6  $\Omega$

Field deflection current, for 225 mm scan, at 18 kV\*

940 mA

Maximum voltage between line and field coils

2500 V (DC)

**Note:** The field deflection coils may be connected in series.  
 (terminals 1 and 5 linked)

Field deflection coils, series connected

inductance at 1 kHz  
 resistance (DC)

17 mH  
 20,1  $\Omega$

resistances connected in parallel

150  $\Omega$

Field deflection current, for 303 mm scan, at 18 kV

650 mA

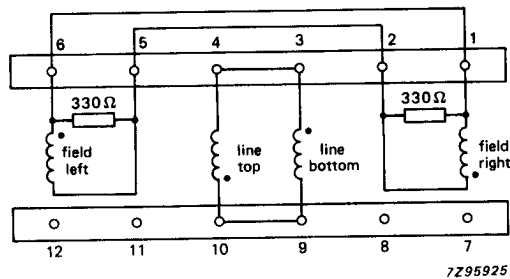


Fig. 2 Diagram of the coils. The beginning of the windings are indicated with ●.

\* Values obtained using the M38-201 assembly.

### CENTRING CORRECTION

The eccentricity of the CRT and the deflection unit can be corrected by two independently movable centring magnets, which are magnetized diametrically (see Fig. 1). By turning the magnets with respect to each other the resulting field strength is varied. The direction of the resulting magnetic field is adjusted by turning the magnets simultaneously. The magnets must be adjusted so that the curvature of the horizontal and vertical axes disappears; in general the picture will be centred at the same time, otherwise this should be corrected electronically.

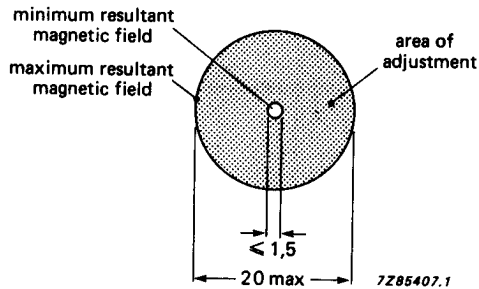


Fig. 3.

### ASTIGMATISM CORRECTION

The astigmatism of the undeflected beam can be corrected by two independently movable quadripole magnets, which are placed next to the centring magnets (see Fig. 1). By turning the quadripole magnets with respect to each other the resulting four-pole field strength varies. The direction of the resulting four-pole field is adjusted by turning the quadripole magnets simultaneously. The astigmatism of the undeflected beam is examined during a slow variation of the focusing voltage; the beam is free of astigmatism when the size, and not the shape, of the beam changes when the focusing voltage is varied around its optimum (Figs 4 and 5).

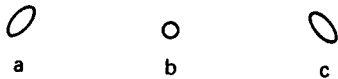


Fig. 4 Beam with astigmatism.

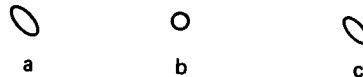
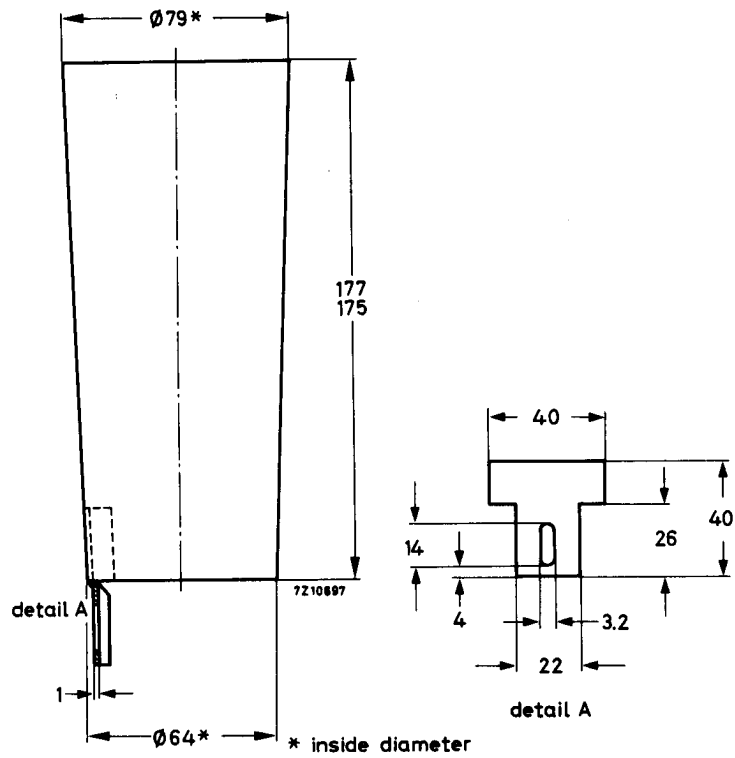


Fig. 5 Beam free of astigmatism.

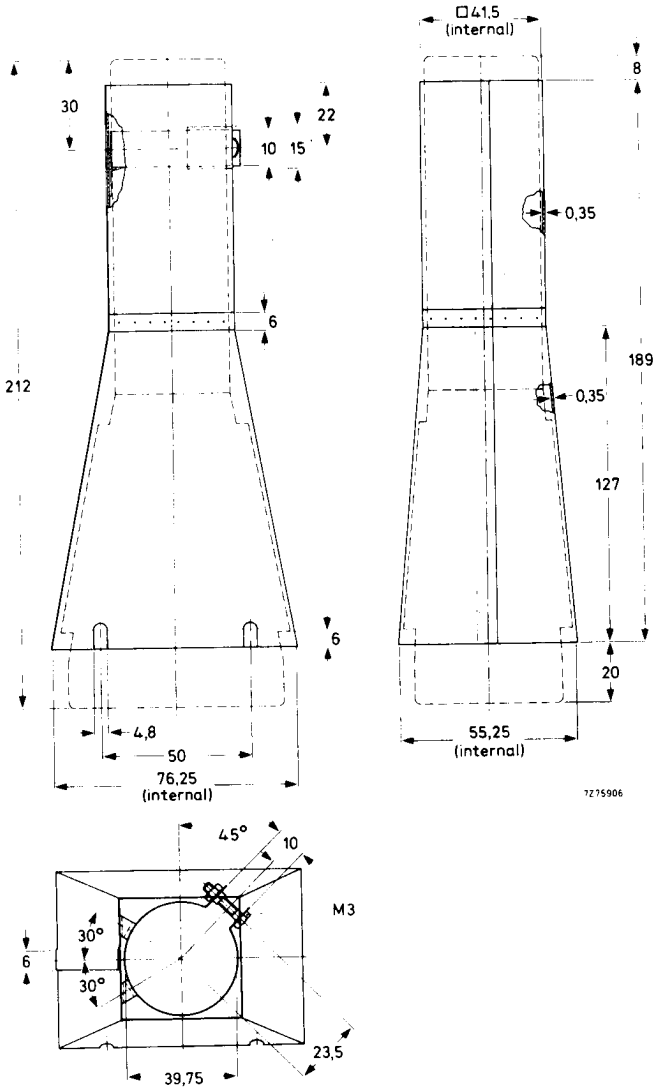
- a. Focusing voltage  $<$  optimum value.
- b. Focusing voltage at optimum value.
- c. Focusing voltage  $>$  optimum value.

## MU-METAL SCREEN

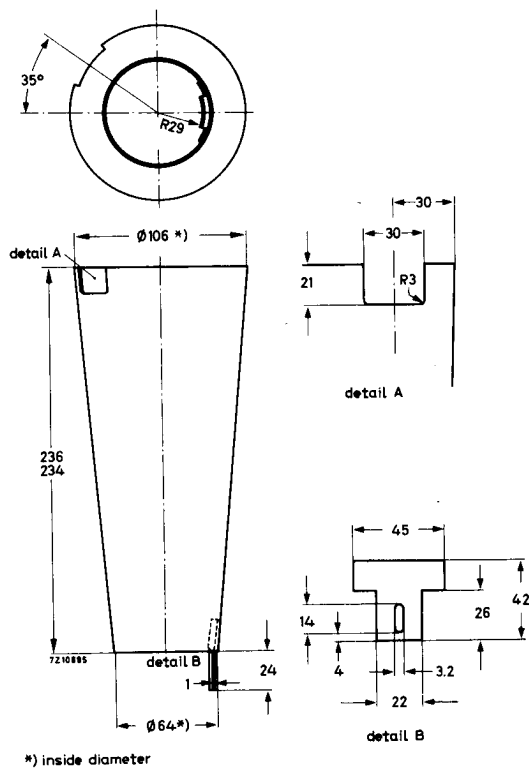


Material: Mu-metal 0,35 mm thick

# MU-METAL SCREEN

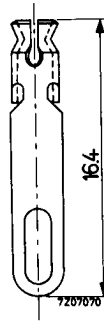


## MU—METAL SCREEN



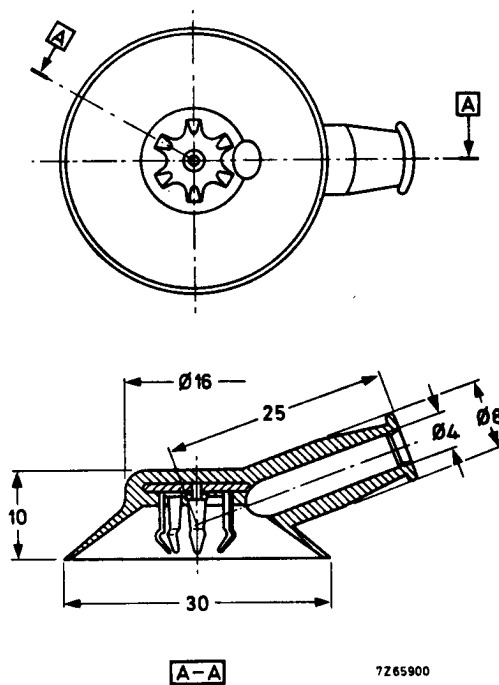
Material: Mu-metal, 0.35 mm thick

**SIDE CONTACT CONNECTOR**



**FINAL ACCELERATOR CONTACT CONNECTOR**

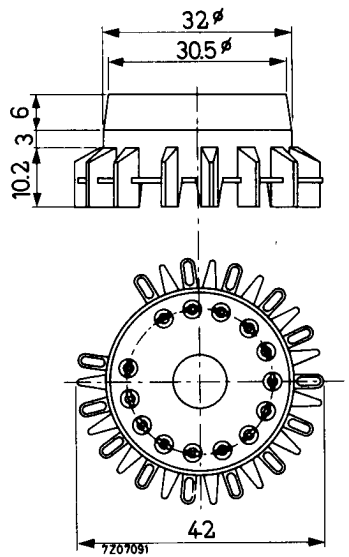
Type 55563A supersedes type 55563.



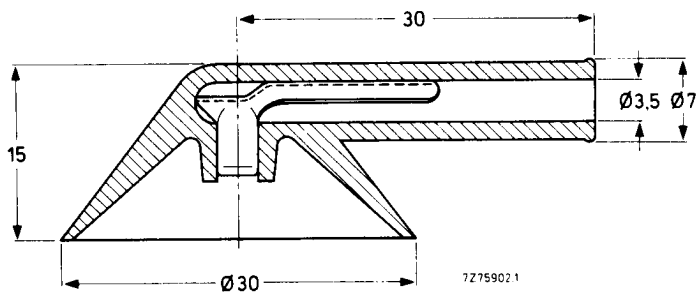


## TUBE SOCKET

- For 14-pin bases
- Synthetic resin insulating material
- 14 gold-plated fork-shaped contacts
- Catalogue number for ordering: 9390 017 30000

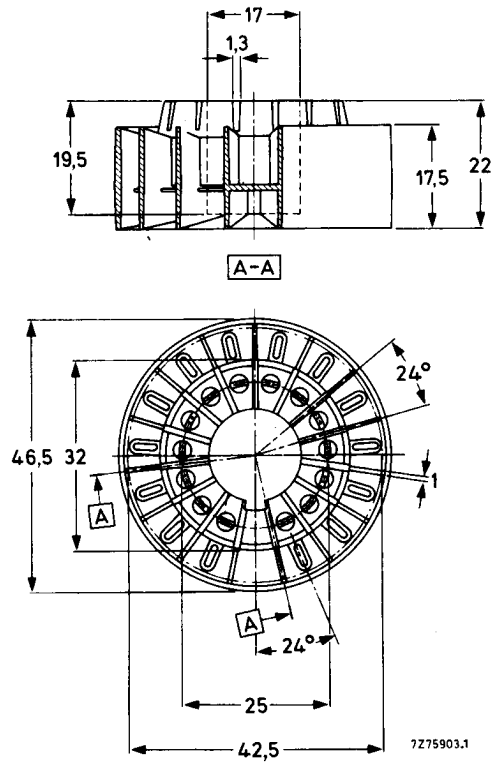


## FINAL ACCELERATOR CONTACT CONNECTOR



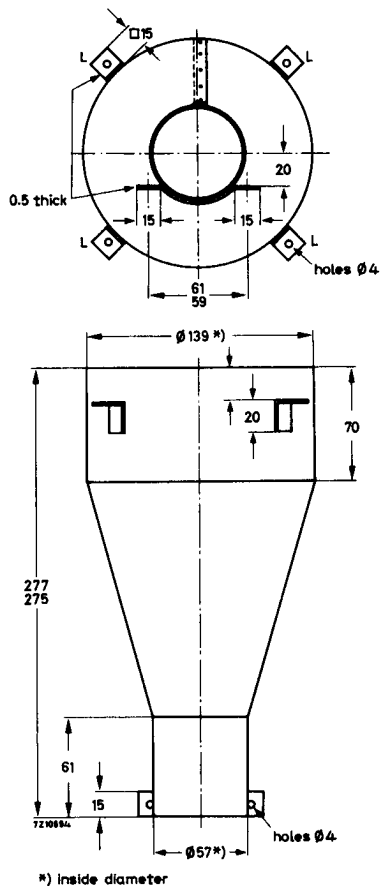
Insulating material: silicon rubber.

## TUBE SOCKET



# MU-METAL SCREEN

Type 55580A with 4 mounting lugs L L  
 Type 55580 without mounting lugs L L

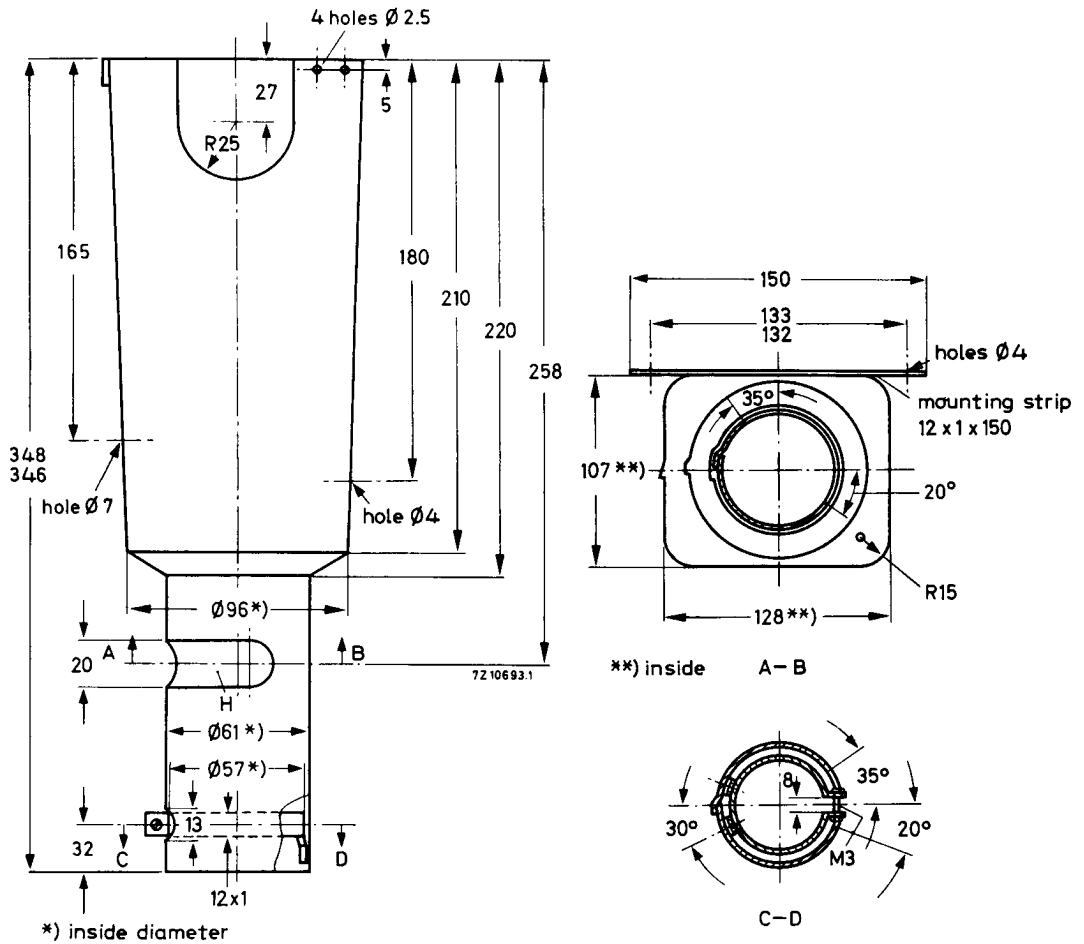


Material: Mu-metal, 0.35 mm thick

# MU-METAL SCREEN

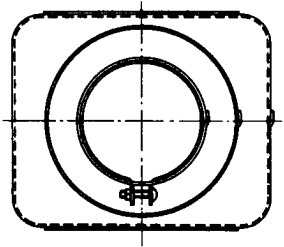
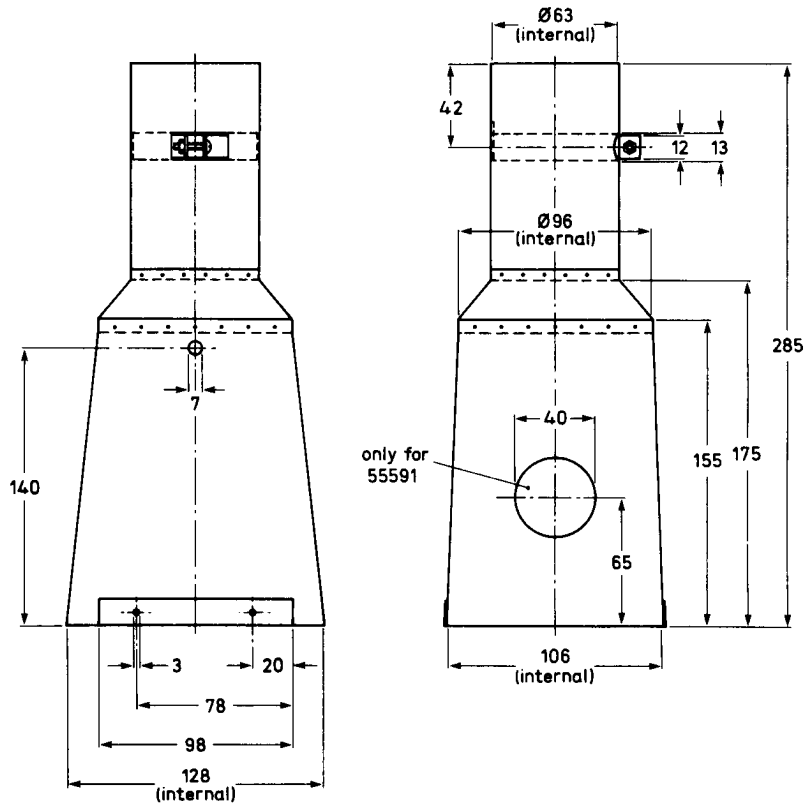
Type 55581A with hole H

Type 55581 without hole H



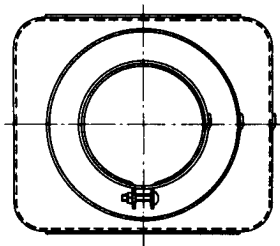
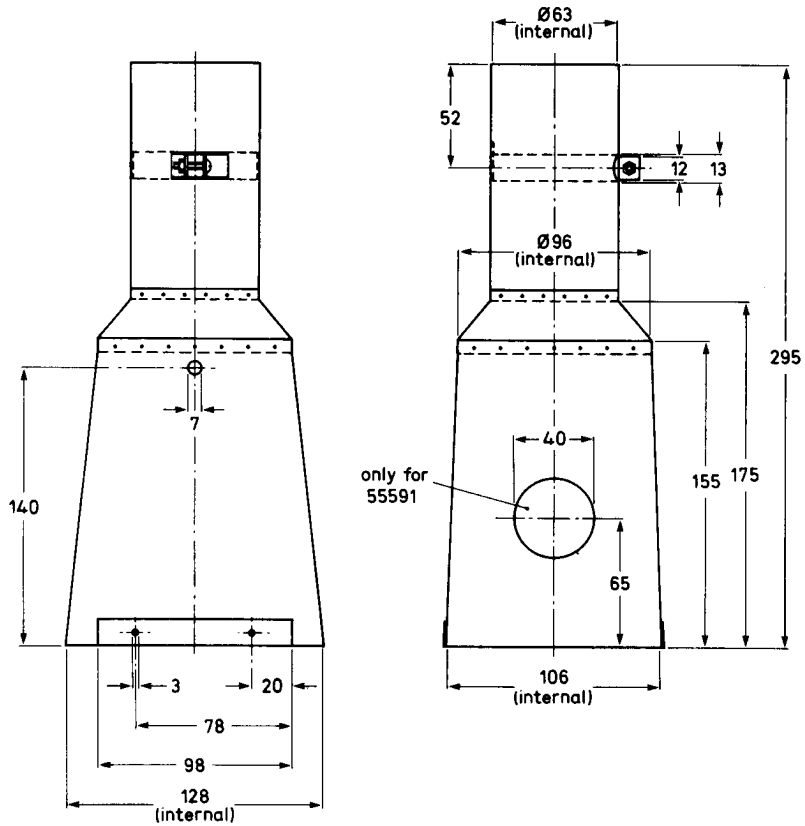
Material: Mu-metal, 0,5 mm thick.

# MU-METAL SCREEN



7285410

MU-METAL SCREEN



7285411

## TUBE SOCKET

- For 12-pin all glass base, JEDEC B12-246
- Solder tags
- Tinned contact springs
- Catalogue number for ordering: 9390 298 20008

Dimensions in mm

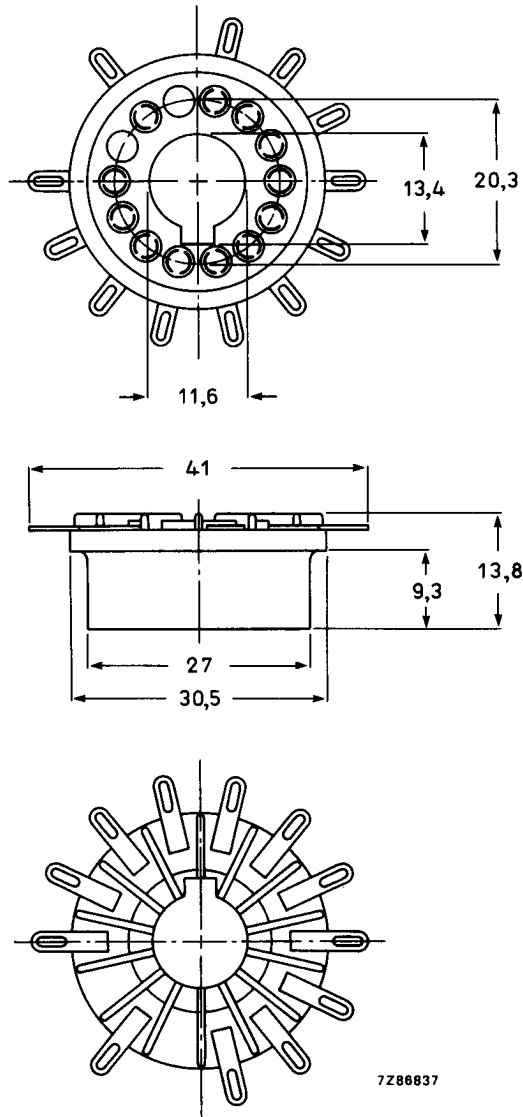


Fig. 1 Dimensions.



## TUBE SOCKET

- For 12-pin all glass base, JEDEC B12-246
- Printed-wiring pins; required hole diameter is 1,3 mm
- Tinned contact springs
- Catalogue number for ordering: 9390 298 30008

Dimensions in mm

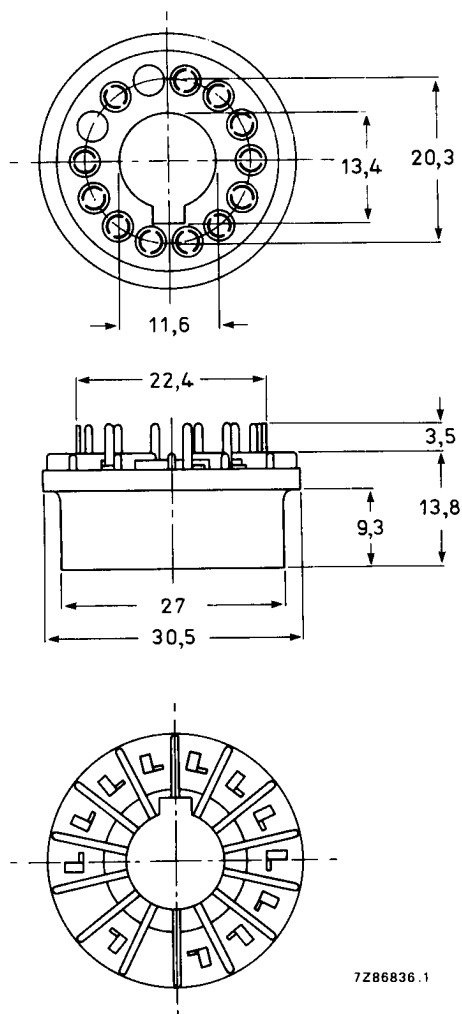
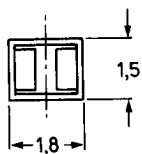
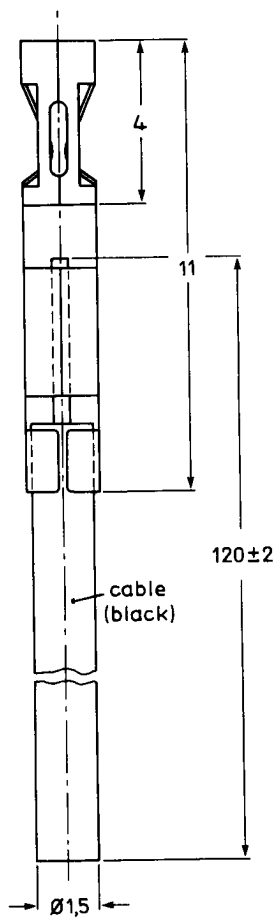


Fig. 1 Dimensions.

## SIDE CONTACT CONNECTOR

- For  $\phi$  0,65 mm side contacts

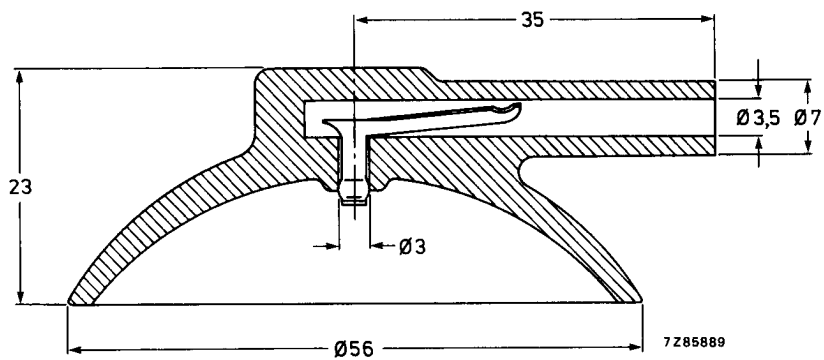
Dimensions in mm



7286890

Fig. 1 Dimensions.

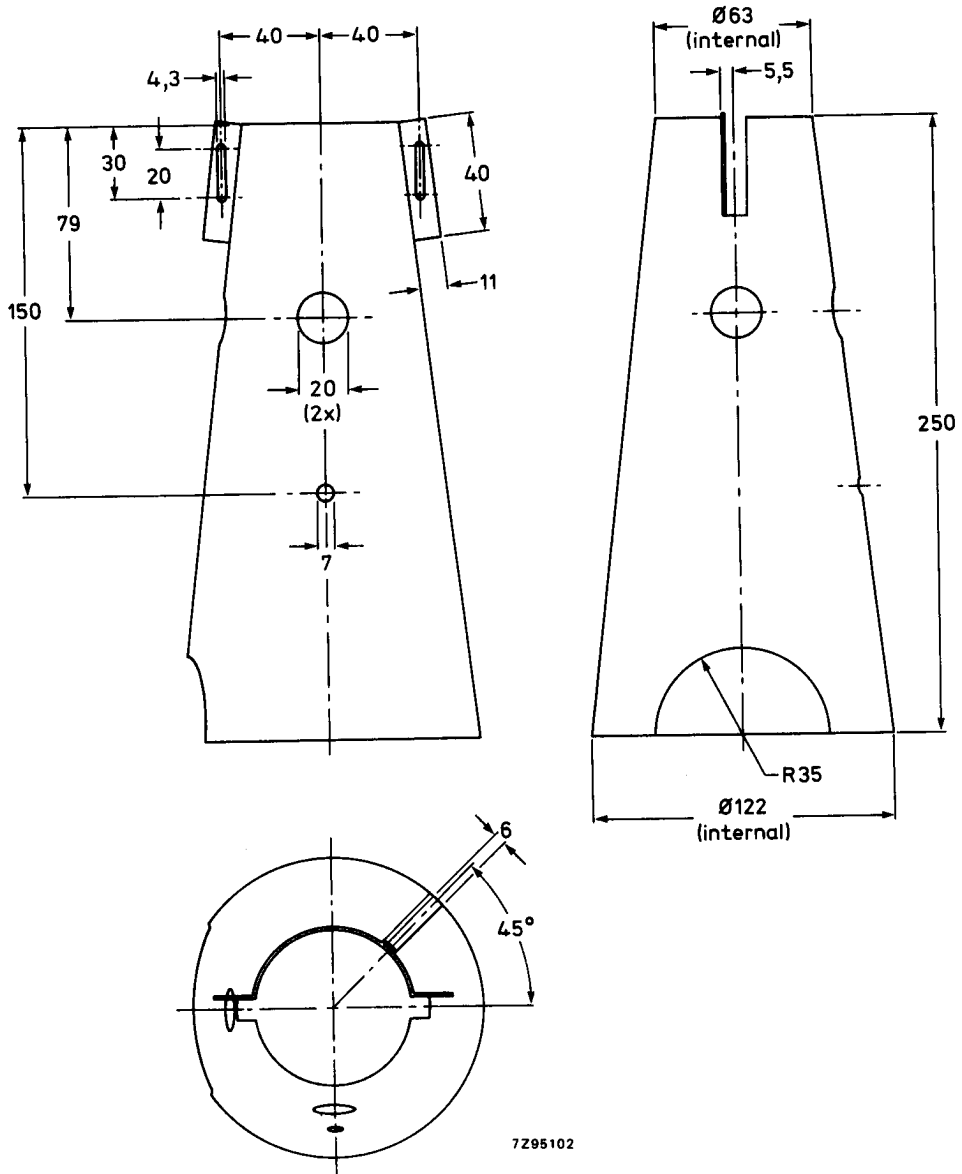
## FINAL ACCELERATOR CONTACT CONNECTOR



Insulating material: silicon rubber.

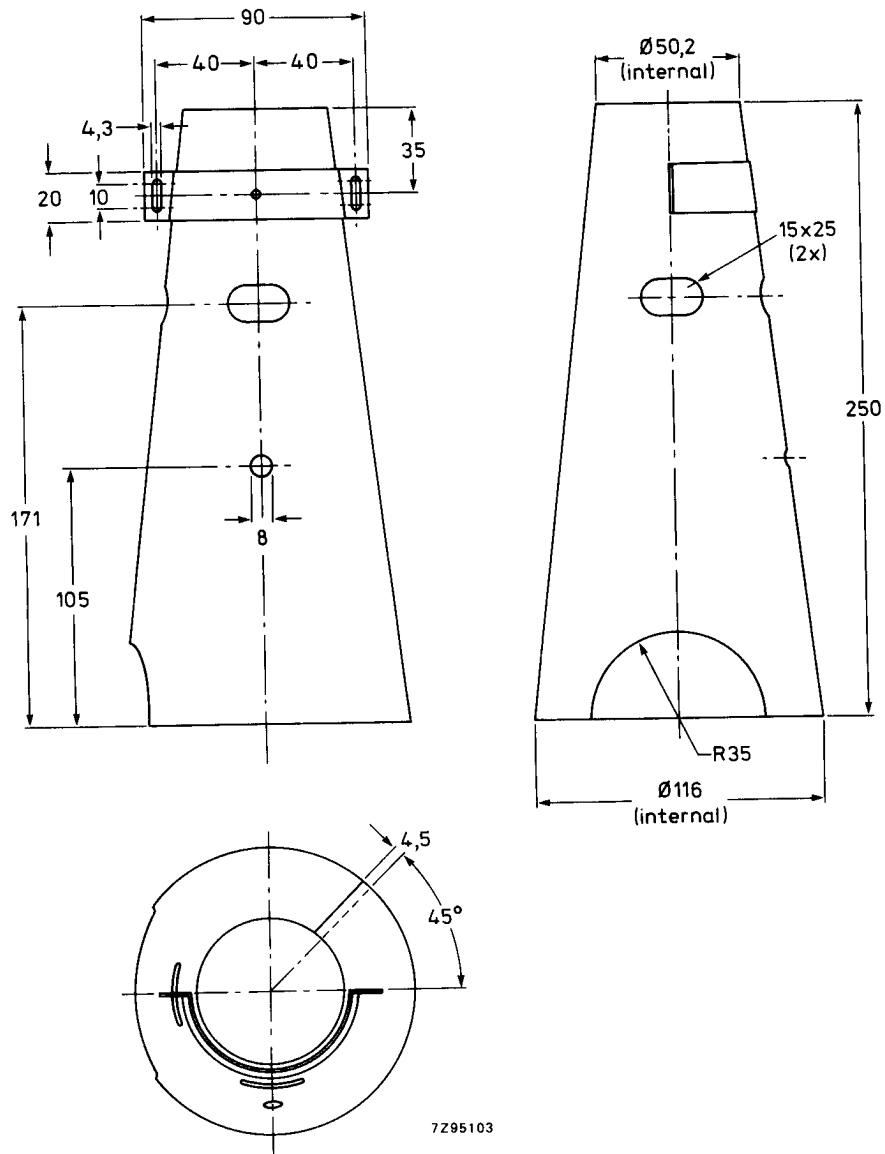
## MU-METAL SCREEN

- Material: mu-metal, 0,35 mm thick



## MU-METAL SCREEN

- Material: mu-metal, 0,35 mm thick



## BEAM CENTRING MAGNET

### INSTRUCTIONS FOR USE

To obtain the best performance from an electrostatically focussed tube, it is important that the axis of the beam should coincide with that of the lens. In practice this is not always so because of small errors in geometry. By means of this magnet it is possible to adjust, if necessary, the position of the beam and so produce a true alignment in every case. The effect is illustrated in Figs 1a and 1b which show enlarged views of a single element in a spot raster under the special operating conditions given in the directions for setting. With a well aligned beam, an image such as that in Fig. 1a can be seen. Very small errors will produce a spot as shown in Fig. 1b where the brightest part of the image does not appear in the centre of the diffused area or haze. In such a case, the picture quality would be good but with only a small adjustment of the beam, so that the brightest part becomes central, a noticeable improvement can be made.

The unit has a non-magnetic ring containing a diametrically magnetized Ferroxdure core and two soft-iron pole pieces covered with plastic material to protect the glass surface.

730723-23-02

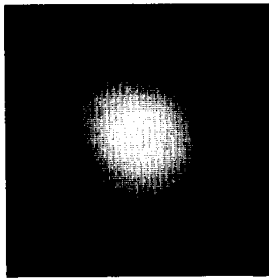


Fig. 1a

730723-23-01

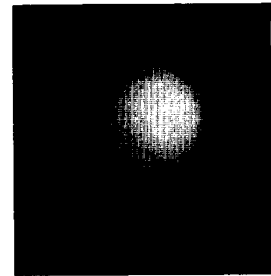


Fig. 1b

The field strength can be altered by turning the core as indicated in Fig. 2, and the direction by turning the whole unit. Moving the unit along the neck of the tube will cause a small change in the position of the beam but it is most effective at about 20 mm from the cap (Fig. 3).

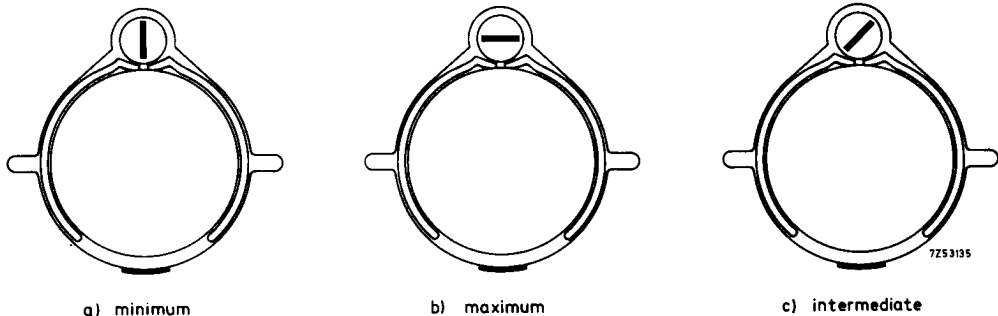


Fig. 2

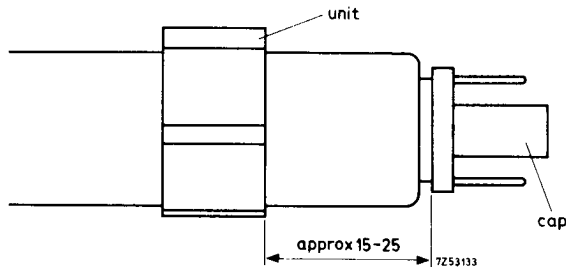


Fig.3

**SETTING**

This can best be done with a spot raster on the screen, and by observing one of the elements near the centre. A suitable raster would have, for instance, a spot duration of  $1/6 \mu\text{s}$  with a repetition time of  $6 \mu\text{s}$  and an image as in Fig. 1 can then be produced with the following conditions.

$$\left. \begin{array}{l} V_f = 6.3 \text{ V} \\ * V_f^{g1} = 0 \\ V_{g2} = 600 \text{ V} \\ V_{g3, g5(1)} = 16 \text{ kV} \\ V_{g4} = -300 \text{ to } -500 \text{ V} \end{array} \right\} \text{ or other conditions if required}$$

\*) To avoid burning the screen, adjust slowly from -50 V to zero

Set the unit on the neck at about 20 mm from the cap and turn it until the brightest part of the image appears central in the haze.

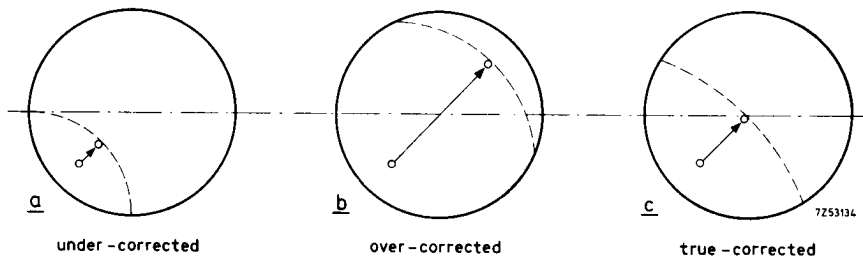


Fig.4

The diagrams in Fig. 4 show the process of adjusting the brightest part from its original position to the centre. The distance between the two points will be determined by the field strength, and the position of the new point along the dotted line will depend on the direction of the field.

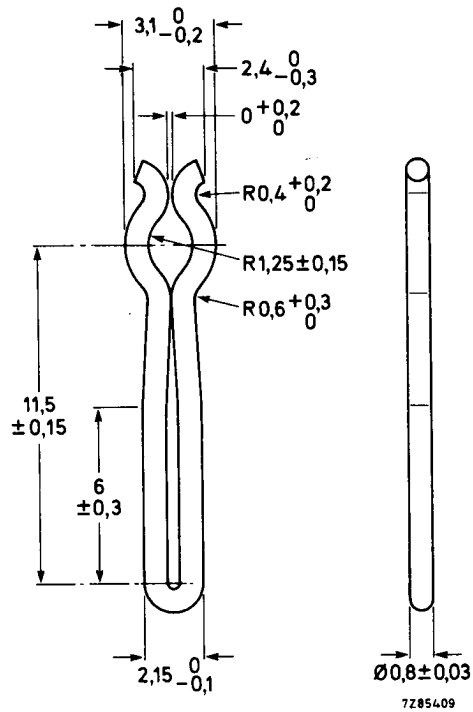
If the magnet is under or over-correcting as in (Figs 4a and 4b), the field strength must be changed. To do this, remove the unit from the neck, push the core out sufficiently to get a finger grip and turn it towards maximum or minimum Figs 2a and 2b as required. Return it to the stop in the clamp and set the unit once again on the neck.

If the means of producing a spot raster are not available, a test pattern or suitable picture can be used when setting. It is not easy with this method, however, to assess the degree of change needed in field strength or direction but if a start is made with the line on the core set at about  $20^{\circ}$  from the minimum position in Fig. 2, an improvement can be made in most cases where it is required. In others, it may be necessary to try one or two further core settings, but with a little experience it is not difficult to find an arrangement which gives the best vertical and horizontal resolution.

The unit should be sufficiently tight on the neck to prevent movement during transit but if, for some reason, this does not appear to be so, the bends on the ring should be compressed slightly.



## SMALL BALL CONTACT CONNECTOR





NOTES

DATA HANDBOOK SYSTEM

## DATA HANDBOOK SYSTEM

Our Data Handbook System comprises more than 60 books with specifications on electronic components, subassemblies and materials. It is made up of four series of handbooks:

ELECTRON TUBES	BLUE
SEMICONDUCTORS	RED
INTEGRATED CIRCUITS	PURPLE
COMPONENTS AND MATERIALS	GREEN

The contents of each series are listed on pages iv to vii.

The data handbooks contain all pertinent data available at the time of publication, and each is revised and reissued periodically.

When ratings or specifications differ from those published in the preceding edition they are indicated with arrows in the page margin. Where application information is given it is advisory and does not form part of the product specification.

Condensed data on the preferred products of Philips Electronic Components and Materials Division is given in our Preferred Type Range catalogue (issued annually).

Information on current Data Handbooks and on how to obtain a subscription for future issues is available from any of the Organizations listed on the back cover.

Product specialists are at your service and enquiries will be answered promptly.

## ELECTRON TUBES (BLUE SERIES)

The blue series of data handbooks comprises:

- T1**      **Tubes for r.f. heating**
- T2a**     **Transmitting tubes for communications, glass types**
- T2b**     **Transmitting tubes for communications, ceramic types**
- T3**      **Klystrons**
- T4**      **Magnetrons for microwave heating**
- T5**      **Cathode-ray tubes**  
Instrument tubes, monitor and display tubes, C.R. tubes for special applications
- T6**      **Geiger-Müller tubes**
- T8**      **Colour display systems**  
Colour TV picture tubes, colour data graphic display tube assemblies, deflection units
- T9**      **Photo and electron multipliers**
- T10**     **Plumbicon camera tubes and accessories**
- T11**     **Microwave semiconductors and components**
- T12**     **Vidicon and Newvicon camera tubes**
- T13**     **Image intensifiers and infrared detectors**
- T15**     **Dry reed switches**
- T16**     **Monochrome tubes and deflection units**  
Black and white TV picture tubes, monochrome data graphic display tubes, deflection units

## SEMICONDUCTORS (RED SERIES)

The red series of data handbooks comprises:

- S1 Diodes**  
Small-signal silicon diodes, voltage regulator diodes (< 1,5 W), voltage reference diodes, tuner diodes, rectifier diodes
- S2a Power diodes**
- S2b Thyristors and triacs**
- S3 Small-signal transistors**
- S4a Low-frequency power transistors and hybrid modules**
- S4b High-voltage and switching power transistors**
- S5 Field-effect transistors**
- S6 R.F. power transistors and modules**
- S7 Surface mounted semiconductors**
- S8a Light-emitting diodes**
- S8b Devices for optoelectronics**  
Optocouplers, photosensitive diodes and transistors, infrared light-emitting diodes and infrared sensitive devices, laser and fibre-optic components
- S9 PowerMos transistors**
- S10 Wideband transistors and wideband hybrid IC modules**
- S11 Microwave transistors**
- S12 Surface acoustic wave devices**
- S13 Semiconductor sensors**
- S14 Liquid Crystal Displays**

## INTEGRATED CIRCUITS (PURPLE SERIES)

The purple series of handbooks comprises:

<b>IC01</b>	<b>Radio, audio and associated systems</b> Bipolar, MOS	
<b>IC02a/b</b>	<b>Video and associated systems</b> Bipolar, MOS	
<b>IC03</b>	<b>Integrated circuits for telephony</b> Bipolar, MOS	
<b>IC04</b>	<b>HE4000B logic family</b> CMOS	
<b>IC05N</b>	<b>HE4000B logic family – uncased ICs</b> CMOS	
<b>IC06N</b>	<b>High-speed CMOS; PC74HC/HCT/HCU</b> Logic family	
<b>IC08</b>	<b>ECL 10K and 100K logic families</b>	
<b>IC09N</b>	<b>TTL logic series</b>	
<b>IC10</b>	<b>Memories</b> MOS, TTL, ECL	
<b>IC11</b>	<b>Linear Products</b>	
<b>IC12</b>	<b>I<sup>2</sup>C-bus compatible ICs</b>	
<b>IC13</b>	<b>Semi-custom</b> Programmable Logic Devices (PLD)	
<b>IC14</b>	<b>Microcontrollers and peripherals</b> Bipolar, MOS	
<b>IC15</b>	<b>FAST TTL logic series</b>	
<b>IC16</b>	<b>CMOS integrated circuits for clocks and watches</b>	
<b>IC17</b>	<b>Integrated Services Digital Networks (ISDN)</b>	not yet issued
<b>IC18</b>	<b>Microprocessors and peripherals</b>	



## COMPONENTS AND MATERIALS (GREEN SERIES)

The green series of data handbooks comprises:

- C2** Television tuners, coaxial aerial input assemblies
- C3** Loudspeakers
- C4** Ferroxcube potcores, square cores and cross cores
- C5** Ferroxcube for power, audio/video and accelerators
- C6** Synchronous motors and gearboxes
- C7** Variable capacitors
- C8** Variable mains transformers
- C9** Piezoelectric quartz devices
- C11** Varistors, thermistors and sensors
- C12** Potentiometers, encoders and switches
- C13** Fixed resistors
- C14** Electrolytic and solid capacitors
- C15** Ceramic capacitors
- C16** Permanent magnet materials
- C17** Stepping motors and associated electronics
- C18** Direct current motors
- C19** Piezoelectric ceramics
- C20** Wire-wound components for TVs and monitors
- C22** Film capacitors

# Electronic components and materials for professional, industrial and consumer uses from the world-wide Philips Group of Companies

- Argentina:** PHILIPS ARGENTINA S.A., Div. Elcoma, Vedia 3892, 1430 BUENOS AIRES, Tel. (01) 541 - 7141 to 7747.
- Australia:** PHILIPS INDUSTRIES LTD., Elcoma Division, 11 Waltham Street, ARTARMON, N.S.W. 2064, Tel. (02) 439 3322.
- Austria:** ÖSTERREICHISCHE PHILIPS INDUSTRIE G.m.b.H., UB Bauelemente, Triester Str. 64, 1101 WIEN, Tel. (0222) 60 101-820.
- Belgium:** N.V. PHILIPS PROF. SYSTEMS - Elcoma Div., 80 Rue Des Deux Gares, B-1070 BRUXELLES, Tel. (02) 52 56 111.
- Brazil:** CONSTANTA-IBRAPE; (Active Devices): Av. Brigadeiro Faria Lima, 1735-SAO PAULO-SP, Tel. (011) 211-2600.  
CONSTANTA-IBRAPE; (Passive Devices & Materials): Av. Francisco Monteiro, 702 - RIBEIRAO PIRES-SP, Tel. (011) 459-8211.
- Canada:** PHILIPS ELECTRONICS LTD., Elcoma Division, 601 Milner Ave., SCARBOROUGH, Ontario, M1B 1M8, Tel. (416) 292-5161.
- Chile:** PHILIPS CHILENA S.A., Av. Santa Maria 0760, SANTIAGO, Tel. (02) 77 38 16.
- Colombia:** IND. PHILIPS DE COLOMBIA S.A., c/o IPRELENZO LTD., Cra. 21, No. 56-17, BOGOTA, D.E., Tel. (01) 2 49 76 24.
- Denmark:** MINIWATT A/S, Strandlodsvej 2, P.O. Box 1919, DK 2300 COPENHAGEN S, Tel. (01) 54 11 33.
- Finland:** OY PHILIPS AB, Elcoma Division, Kaivokatu 8, SF-00100 HELSINKI 10, Tel. (90) 1 72 71.
- France:** RTC-COMP-ELEC, 117 Quai du Président Roosevelt, 92134 ISSY-LES-MOULINEAUX Cedex, Tel. (01) 40 93 80 00.
- Germany (Fed. Republic):** VALVO, UB Bauelemente der Philips G.m.b.H., Valvo Haus, Burchardstrasse 19, D-2 HAMBURG 1, Tel. (040) 3296-0.
- Greece:** PHILIPS HELLENIQUE S.A., Elcoma Division, No. 15, 25th March Street, GR 17778 TAVROS, Tel. (01) 48 94 339/48 94 911.
- Hong Kong:** PHILIPS HONG KONG LTD., Elcoma Div., 15/F Philips Ind. Bldg., 24-28 Kung Yip St., KWAI CHUNG, Tel. (0)-24 51 21.
- India:** PEICO ELECTRONICS & ELECTRICALS LTD., Elcoma Dept., Band Box Building, 254-D Dr. Annie Besant Rd., BOMBAY - 400 025, Tel. (022) 49 30 311/49 30 590.
- Indonesia:** P.T. PHILIPS-RALIN ELECTRONICS, Elcoma Div., Setiabudi II Building, 6th Fl., Jalan H.R. Rasuna Said (P.O. Box 223/KBY) Kuningan, JAKARTA 12910, Tel. (021) 51 79 95.
- Ireland:** PHILIPS ELECTRICAL (IRELAND) LTD., Elcoma Division, Newstead, Clonskeagh, DUBLIN 14, Tel. (01) 69 33 55.
- Italy:** PHILIPS S.p.A., Div. Componenti Elcoma, Piazza IV Novembre 3, I-20124 MILANO, Tel. (02) 6752.1.
- Japan:** NIHON PHILIPS CORP., Shuwa Shinagawa Bldg., 26-33 Takanawa 3-chome, Minato-ku, TOKYO (108), Tel. (03) 448-5611.  
(IC Products) SIGNETICS JAPAN LTD., 8-7 Sanbancho Chiyoda-ku, TOKYO 102, Tel. (03) 230-1521.
- Korea (Republic of):** PHILIPS ELECTRONICS (KOREA) LTD., Elcoma Div., Philips House, 260-199 Itaewon-dong, Yongsan-ku, SEOUL, Tel. (02) 794-5011.
- Malaysia:** PHILIPS MALAYSIA SDN BHD, Elcoma Div., 345 Jalan Gelugor, 11700 PULAU PINANG, Tel. (04) 87 00 44.
- Netherlands:** PHILIPS NEDERLAND, Marktgroep Elconco, Postbus 90050, 5600 PB EINDHOVEN, Tel. (040) 78 37 49.
- New Zealand:** PHILIPS NEW ZEALAND LTD., Elcoma Division, 110 Mt. Eden Road, C.P.O. Box 1041, AUCKLAND, Tel. (09) 605-914.
- Norway:** NORSK A/S PHILIPS, Electronica Dept., Sandstuveien 70, OSLO 6, Tel. (02) 68 02 00.
- Pakistan:** PHILIPS ELECTRICAL CO. OF PAKISTAN LTD., Philips Markaz, M.A. Jinnah Rd., KARACHI-3, Tel. (021) 72 57 72.
- Peru:** CADESA, Av. Pardo y Aliaga No. 695, 6th Floor, San Isidro, LIMA 27, Tel. (014) 70 70 80.
- Philippines:** PHILIPS INDUSTRIAL DEV. INC., 2246 Pasing Tamo, P.O. Box 911, Makati Comm. Centre, MAKATI-RIZAL 316, Tel. (02) 86 89 51 to 59.
- Portugal:** PHILIPS PORTUGUESA S.A.R.L., Av. Eng. Duarte Pacheco 6, 1009 LISBOA Codex, Tel. (019) 68 31 21.
- Singapore:** PHILIPS PROJECT DEV. (Singapore) PTE LTD., Elcoma Div., Lorong 1, Toa Payoh, SINGAPORE 1231, Tel. 35 02 000.
- South Africa:** S.A. PHILIPS (Pty) LTD., EDAC Div., 3rd Floor Rainer House, Upper Railway Rd. & Ove St., New Doornfontein, JOHANNESBURG 2001, Tel. (011) 402-46 00/07.
- Spain:** MINIWATT S.A., Balmes 22, 08007 BARCELONA, Tel. (03) 301 63 12.
- Sweden:** PHILIPS KOMPONENTER A.B., Lidingsvägen 50, S-11584 STOCKHOLM, Tel. (08) 78 21 000.
- Switzerland:** PHILIPS A.G., Elcoma Dept., Allmendstrasse 140-142, CH-8027 ZÜRICH, Tel. (01) 488 22 11.
- Taiwan:** PHILIPS TAIWAN LTD., 150 Tun Hua North Road, P.O. Box 22978, TAIPEI, Taiwan, Tel. (02) 71 20 500.
- Thailand:** PHILIPS ELECTRICAL CO. OF THAILAND LTD., 283 Silom Road, P.O. Box 961, BANGKOK, Tel. (02) 233-6330-9.
- Turkey:** TÜRK PHILIPS TICARET A.S., Elcoma Department, İnönü Cad., No. 78-80, 80090 Ayazpasa ISTANBUL, Tel. (01) 143 59 10.
- United Kingdom:** MULLARD LTD., Mullard House, Torrington Place, LONDON WC1E 7HD, Tel. (01) 580 6633.
- United States:** (Active Devices & Materials) AMPEREX SALES CORP., Providence Pike, SLATERSVILLE, R.I. 02876, Tel. (401) 762-9000.  
(Passive & Electromech. Dev.) MEPCO/CENTRALAB, INC., 2001 West Blue Heron Blvd, RIVIERA BEACH, Florida 33404, Tel. (305) 881-3200.  
(IC Products) SIGNETICS CORPORATION, 811 East Arques Avenue, SUNNYVALE, CA 94088-3409, Tel. (408) 991-2000.  
(Colour picture tubes - Monochrome & Colour display tubes) PHILIPS ECG, INC., 50 Johnston St., SENECA FALLS, N.Y. 13148, Tel. (315) 568-5881.
- Uruguay:** LUZILECTRON S.A., Avda Uruguay 1287, P.O. Box 907, MONTEVIDEO, Tel. (02) 98 53 95.
- Venezuela:** IND. VENEZOLANAS PHILIPS S.A., c/o MAGNETICA S.A., Calle 6, Ed. Las Tres Jotas, App. Post. 78117, CARACAS, Tel. (02) 239 39 31.
- For all other countries apply to:** Philips Electronic Components and Materials Division, International Business Relations, P.O. Box 218, 5600 MD EINDHOVEN, The Netherlands, Telex 35000 phtnl

AS57

© Philips Expot B.V. 1988

This information is furnished for guidance, and with no guarantee as to its accuracy or completeness; its publication conveys no licence under any patent or other right, nor does the publisher assume liability for any consequence of its use; specifications and availability of goods mentioned in it are subject to change without notice; it is not to be reproduced in any way, in whole or in part, without the written consent of the publisher.